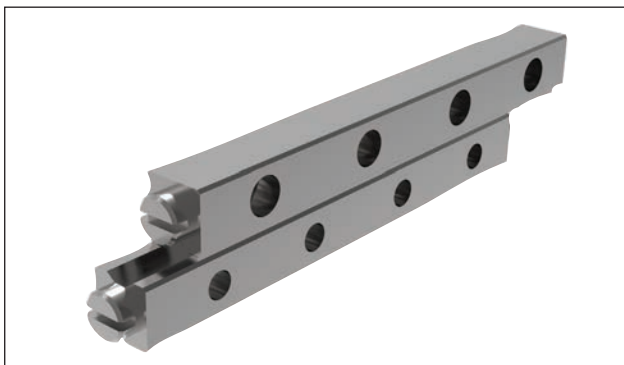


Standard cross roller rail sets

L1000 & L1001

- Seven rail profiles (Sizes 1-12)
- Lengths: 20mm to 1 metre
- L1000 standard rail set
- L1001 corrosion resistant rail sets



Deep groove and anti-creep rail sets

L1002 + L1003

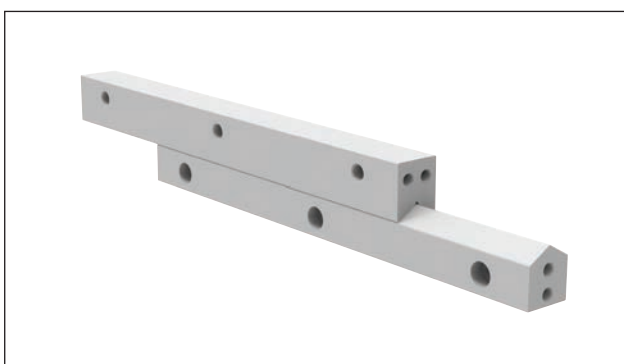
- 3 x load capacity of standard rail sets (due to deep V groove)
- Two rail profiles (Sizes 4 & 6)
- Lengths 50mm to 400mm
- Anti-creep versions for high acceleration applications



Needle roller rail sets

L1004

- Heavy load ratings and needle rollers are used
- Five rail profile size
- Lengths: 200mm to 1.2 metres



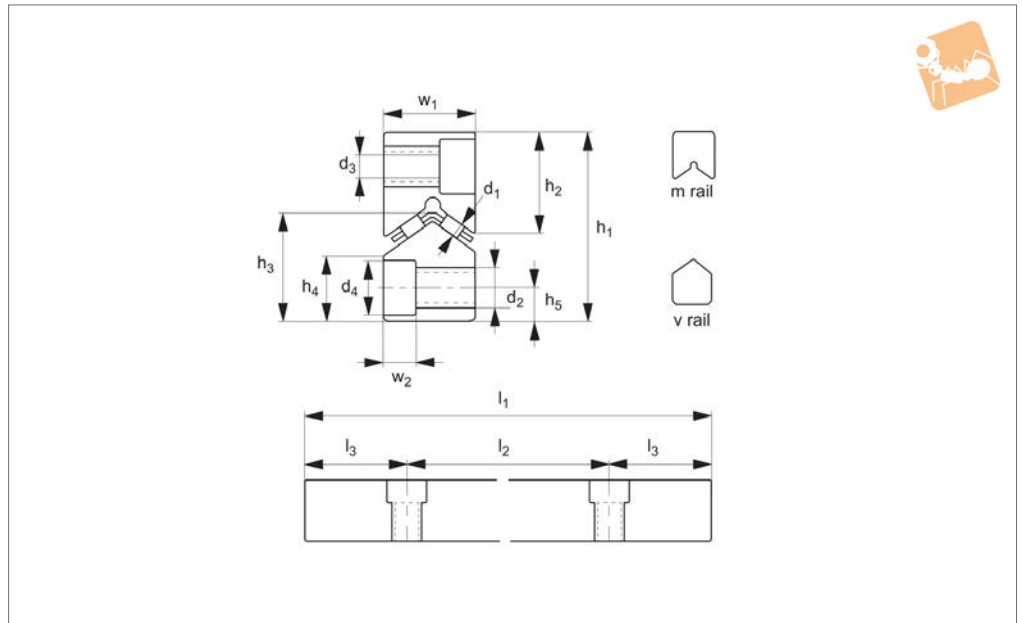
Anti-friction coated rail sets

L1005 & L1006

- Same profile as needle roller rails but contact face Teflon coated.
- Ideal for harsh, dirty conditions
- Vibration damping characteristics



L1004.M



Material

Hardened steel alloy (DIN 1.2842), hardness 60±2 HRC.

Technical Notes

Normally supplied in a set of 4 (two M and two V) with needle rollers in aluminium cage - **(cage length required needs to be**

specified), with GM end stops.

M and V type rails do not need to be of same length.

Tips

For specific length needle roller cages (aluminium HW type normally used) and end stops please see technical pages.

Needle roller rails have a higher load rating than cross roller rails (L1000). The length of the cage affects both the stroke of the rail and its load carrying capacity see technical pages.

Order No.	Rail type	h_1 +0 -0.3	w_1	l_1	l_2	l_3	h_2	h_3	h_4	h_5	w_2	d_1	d_2	d_3	d_4	Weight kg
L1004.M22-0200	M	44	22	200	100	50	24	24.5	15	9	6.2	2	M 8	6.8	10.5	0.69
L1004.M22-0300	M	44	22	300	100	50	24	24.5	15	9	6.2	2	M 8	6.8	10.5	1.02
L1004.M22-0400	M	44	22	400	100	50	24	24.5	15	9	6.2	2	M 8	6.8	10.5	1.36
L1004.M22-0500	M	44	22	500	100	50	24	24.5	15	9	6.2	2	M 8	6.8	10.5	1.69
L1004.M22-0600	M	44	22	600	100	50	24	24.5	15	9	6.2	2	M 8	6.8	10.5	2.03
L1004.M22-0700	M	44	22	700	100	50	24	24.5	15	9	6.2	2	M 8	6.8	10.5	2.36
L1004.M22-0800	M	44	22	800	100	50	24	24.5	15	9	6.2	2	M 8	6.8	10.5	2.70
L1004.M22-0900	M	44	22	900	100	50	24	24.5	15	9	6.2	2	M 8	6.8	10.5	3.03
L1004.M22-1000	M	44	22	1000	100	50	24	24.5	15	9	6.2	2	M 8	6.8	10.5	3.37
L1004.M22-1100	M	44	22	1100	100	50	24	24.5	15	9	6.2	2	M 8	6.8	10.5	3.70
L1004.M22-1200	M	44	22	1200	100	50	24	24.5	15	9	6.2	2	M 8	6.8	10.5	4.04
L1004.M25-0200	M	52	25	200	100	50	28	29	18	10	8.2	2	M10	8.5	13.5	0.90
L1004.M25-0300	M	52	25	300	100	50	28	29	18	10	8.2	2	M10	8.5	13.5	1.37
L1004.M25-0400	M	52	25	400	100	50	28	29	18	10	8.2	2	M10	8.5	13.5	1.83
L1004.M25-0500	M	52	25	500	100	50	28	29	18	10	8.2	2	M10	8.5	13.5	2.30
L1004.M25-0600	M	52	25	600	100	50	28	29	18	10	8.2	2	M10	8.5	13.5	2.76
L1004.M25-0700	M	52	25	700	100	50	28	29	18	10	8.2	2	M10	8.5	13.5	3.23
L1004.M25-0800	M	52	25	800	100	50	28	29	18	10	8.2	2	M10	8.5	13.5	3.69
L1004.M25-0900	M	52	25	900	100	50	28	29	18	10	8.2	2	M10	8.5	13.5	4.16
L1004.M25-1000	M	52	25	1000	100	50	28	29	18	10	8.2	2	M10	8.5	13.5	4.62
L1004.M25-1100	M	52	25	1100	100	50	28	29	18	10	8.2	2	M10	8.5	13.5	5.09
L1004.M25-1200	M	52	25	1200	100	50	28	29	18	10	8.2	2	M10	8.5	13.5	5.55
L1004.M30-0300	M	62	30	300	100	50	34	35	22	12	10.2	2.5	M12	10.5	16.5	1.91
L1004.M30-0400	M	62	30	400	100	50	34	35	22	12	10.2	2.5	M12	10.5	16.5	2.54
L1004.M30-0500	M	62	30	500	100	50	34	35	22	12	10.2	2.5	M12	10.5	16.5	3.18
L1004.M30-0600	M	62	30	600	100	50	34	35	22	12	10.2	2.5	M12	10.5	16.5	3.81
L1004.M30-0700	M	62	30	700	100	50	34	35	22	12	10.2	2.5	M12	10.5	16.5	4.45
L1004.M30-0800	M	62	30	800	100	50	34	35	22	12	10.2	2.5	M12	10.5	16.5	5.08
L1004.M30-0900	M	62	30	900	100	50	34	35	22	12	10.2	2.5	M12	10.5	16.5	5.72
L1004.M30-1000	M	62	30	1000	100	50	34	35	22	12	10.2	2.5	M12	10.5	16.5	6.35



Needle Roller Rail Sets - M rail

high load capacity

Linear Rail Sets



Order No.	Rail type	h_1 +0 -0.3	w_1	l_1	l_2	l_3	h_2	h_3	h_4	h_5	w_2	d_1	d_2	d_3	d_4	Weight kg
L1004.M30-1100	M	62	30	1100	100	50	34	35	22	12	10.2	2.5	M12	10.5	16.5	6.99
L1004.M30-1200	M	62	30	1200	100	50	34	35	22	12	10.2	2.5	M12	10.5	16.5	7.62
L1004.M35-0400	M	74	35	400	100	50	42.5	40	25	14	12.2	3	M14	12.5	18.5	3.66
L1004.M35-0500	M	74	35	500	100	50	42.5	40	25	14	12.2	3	M14	12.5	18.5	4.58
L1004.M35-0600	M	74	35	600	100	50	42.5	40	25	14	12.2	3	M14	12.5	18.5	5.49
L1004.M35-0700	M	74	35	700	100	50	42.5	40	25	14	12.2	3	M14	12.5	18.5	6.41
L1004.M35-0800	M	74	35	800	100	50	42.5	40	25	14	12.2	3	M14	12.5	18.5	7.32
L1004.M35-0900	M	74	35	900	100	50	42.5	40	25	14	12.2	3	M14	12.5	18.5	8.24
L1004.M35-1000	M	74	35	1000	100	50	42.5	40	25	14	12.2	3	M14	12.5	18.5	9.15
L1004.M35-1100	M	74	35	1100	100	50	42.5	40	25	14	12.2	3	M14	12.5	18.5	10.07
L1004.M35-1200	M	74	35	1200	100	50	42.5	40	25	14	12.2	3	M14	12.5	18.5	10.98
L1004.M45-0500	M	78	45	500	100	50	45	45	25	14	12.2	3.5	M14	12.5	18.5	6.17
L1004.M45-0600	M	78	45	600	100	50	45	45	25	14	12.2	3.5	M14	12.5	18.5	7.41
L1004.M45-0700	M	78	45	700	100	50	45	45	25	14	12.2	3.5	M14	12.5	18.5	8.65
L1004.M45-0800	M	78	45	800	100	50	45	45	25	14	12.2	3.5	M14	12.5	18.5	9.89
L1004.M45-0900	M	78	45	900	100	50	45	45	25	14	12.2	3.5	M14	12.5	18.5	11.13
L1004.M45-1000	M	78	45	1000	100	50	45	45	25	14	12.2	3.5	M14	12.5	18.5	12.37
L1004.M45-1100	M	78	45	1100	100	50	45	45	25	14	12.2	3.5	M14	12.5	18.5	13.61
L1004.M45-1200	M	78	45	1200	100	50	45	45	25	14	12.2	3.5	M14	12.5	18.5	14.85

LINEAR RAIL SETS

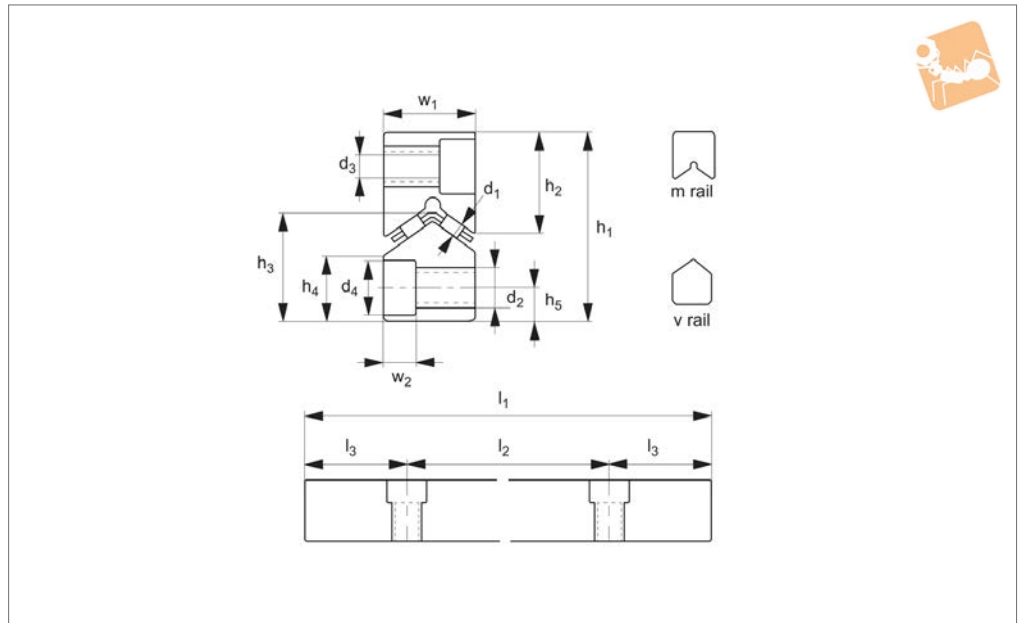




LINEAR RAIL SETS



L1004.V



Material

Hardened steel alloy (DIN 1.2842), hardness 60 ± 2 HRC.

Technical Notes

Normally supplied in a set of 4 (two M and two V) with needle rollers in aluminium cage - **(cage length required needs to be**

specified), with GM end stops.

M and V type rails do not need to be of same length.

Tips

For specific length needle roller cages (aluminium HW type normally used) and end stops please see technical pages.

Needle roller rails have a higher load rating than cross roller rails (L1000). The length of the cage affects both the stroke of the rail and its load carrying capacity see technical pages.

Order No.	Rail type	h_1 +0 -0.3	w_1	l_1	l_2	l_3	h_2	h_3	h_4	h_5	w_2	d_1	d_2	d_3	d_4	Weight kg
L1004.V22-0200	V	44	22	200	100	50	24	24.5	15	9	6.2	2	M 8	6.8	10.5	0.70
L1004.V22-0300	V	44	22	300	100	50	24	24.5	15	9	6.2	2	M 8	6.8	10.5	1.03
L1004.V22-0400	V	44	22	400	100	50	24	24.5	15	9	6.2	2	M 8	6.8	10.5	1.37
L1004.V22-0500	V	44	22	500	100	50	24	24.5	15	9	6.2	2	M 8	6.8	10.5	1.70
L1004.V22-0600	V	44	22	600	100	50	24	24.5	15	9	6.2	2	M 8	6.8	10.5	2.04
L1004.V22-0700	V	44	22	700	100	50	24	24.5	15	9	6.2	2	M 8	6.8	10.5	2.37
L1004.V22-0800	V	44	22	800	100	50	24	24.5	15	9	6.2	2	M 8	6.8	10.5	2.71
L1004.V22-0900	V	44	22	900	100	50	24	24.5	15	9	6.2	2	M 8	6.8	10.5	3.04
L1004.V22-1000	V	44	22	1000	100	50	24	24.5	15	9	6.2	2	M 8	6.8	10.5	3.38
L1004.V22-1100	V	44	22	1100	100	50	24	24.5	15	9	6.2	2	M 8	6.8	10.5	3.71
L1004.V22-1200	V	44	22	1200	100	50	24	24.5	15	9	6.2	2	M 8	6.8	10.5	4.05
L1004.V25-0200	V	52	25	200	100	50	28	29	18	10	8.2	2	M10	8.5	13.5	0.90
L1004.V25-0300	V	52	25	300	100	50	28	29	18	10	8.2	2	M10	8.5	13.5	1.35
L1004.V25-0400	V	52	25	400	100	50	28	29	18	10	8.2	2	M10	8.5	13.5	1.80
L1004.V25-0500	V	52	25	500	100	50	28	29	18	10	8.2	2	M10	8.5	13.5	2.25
L1004.V25-0600	V	52	25	600	100	50	28	29	18	10	8.2	2	M10	8.5	13.5	2.70
L1004.V25-0700	V	52	25	700	100	50	28	29	18	10	8.2	2	M10	8.5	13.5	3.15
L1004.V25-0800	V	52	25	800	100	50	28	29	18	10	8.2	2	M10	8.5	13.5	3.60
L1004.V25-0900	V	52	25	900	100	50	28	29	18	10	8.2	2	M10	8.5	13.5	4.05
L1004.V25-1000	V	52	25	1000	100	50	28	29	18	10	8.2	2	M10	8.5	13.5	4.50
L1004.V25-1100	V	52	25	1100	100	50	28	29	18	10	8.2	2	M10	8.5	13.5	4.95
L1004.V25-1200	V	52	25	1200	100	50	28	28	18	10	8.2	2	M10	8.5	13.5	5.40
L1004.V30-0300	V	62	30	300	100	50	34	35	22	12	10.2	2.5	M12	10.5	16.5	1.97
L1004.V30-0400	V	62	30	400	100	50	34	35	22	12	10.2	2.5	M12	10.5	16.5	2.62
L1004.V30-0500	V	62	30	500	100	50	34	35	22	12	10.2	2.5	M12	10.5	16.5	3.28
L1004.V30-0600	V	62	30	600	100	50	34	35	22	12	10.2	2.5	M12	10.5	16.5	3.93
L1004.V30-0700	V	62	30	700	100	50	34	35	22	12	10.2	2.5	M12	10.5	16.5	4.59
L1004.V30-0800	V	62	30	800	100	50	34	35	22	12	10.2	2.5	M12	10.5	16.5	5.24
L1004.V30-0900	V	62	30	900	100	50	34	35	22	12	10.2	2.5	M12	10.5	16.5	6.00
L1004.V30-1000	V	62	30	1000	100	50	34	35	22	12	10.2	2.5	M12	10.5	16.5	6.65



Needle Roller Rail Sets - V rail

high load capacity

Linear Rail Sets



Order No.	Rail type	h_1 +0 -0.3	w_1	l_1	l_2	l_3	h_2	h_3	h_4	h_5	w_2	d_1	d_2	d_3	d_4	Weight kg
L1004.V30-1100	V	62	30	1100	100	50	34	35	22	12	10.2	2.5	M12	10.5	16.5	7.21
L1004.V30-1200	V	62	30	1200	100	50	34	35	22	12	10.2	2.5	M12	10.5	16.5	7.86
L1004.V35-0400	V	74	35	400	100	50	42.5	40	25	14	12.2	3	M14	12.5	18.5	3.46
L1004.V35-0500	V	74	35	500	100	50	42.5	40	25	14	12.2	3	M14	12.5	18.5	4.33
L1004.V35-0600	V	74	35	600	100	50	42.5	40	25	14	12.2	3	M14	12.5	18.5	5.19
L1004.V35-0700	V	74	35	700	100	50	42.5	40	25	14	12.2	3	M14	12.5	18.5	6.06
L1004.V35-0800	V	74	35	800	100	50	42.5	40	25	14	12.2	3	M14	12.5	18.5	6.92
L1004.V35-0900	V	74	35	900	100	50	42.5	40	25	14	12.2	3	M14	12.5	18.5	7.79
L1004.V35-1000	V	74	35	1000	100	50	42.5	40	25	14	12.2	3	M14	12.5	18.5	8.65
L1004.V35-1100	V	74	35	1100	100	50	42.5	40	25	14	12.2	3	M14	12.5	18.5	9.52
L1004.V35-1200	V	74	35	1200	100	50	42.5	40	25	14	12.2	3	M14	12.5	18.5	1.04
L1004.V45-0500	V	78	45	500	100	50	45	45	25	14	12.2	3.5	M14	12.5	18.5	6.10
L1004.V45-0600	V	78	45	600	100	50	45	45	25	14	12.2	3.5	M14	12.5	18.5	7.32
L1004.V45-0700	V	78	45	700	100	50	45	45	25	14	12.2	3.5	M14	12.5	18.5	8.54
L1004.V45-0800	V	78	45	800	100	50	45	45	25	14	12.2	3.5	M14	12.5	18.5	9.76
L1004.V45-0900	V	78	45	900	100	50	45	45	25	14	12.2	3.5	M14	12.5	18.5	10.98
L1004.V45-1000	V	78	45	1000	100	50	45	45	25	14	12.2	3.5	M14	12.5	18.5	12.20
L1004.V45-1100	V	78	45	1100	100	50	45	45	25	14	12.2	3.5	M14	12.5	18.5	13.42
L1004.V45-1200	V	78	45	1200	100	50	45	45	25	14	12.2	3.5	M14	12.5	18.5	14.64

LINEAR RAIL SETS

