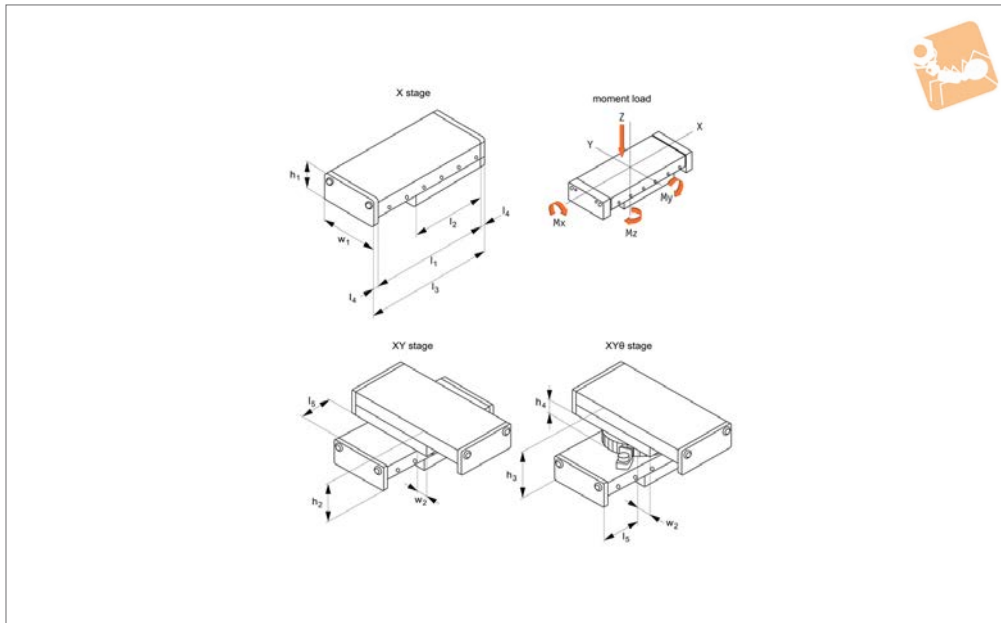
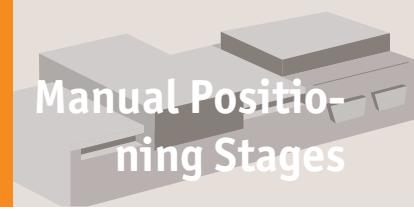




Plain Positioning Stages

dovetail

Manual Positioning Stages



L3180

MANUAL POSITIONING STAGES

Material

Cast iron body (ENGJL-250), with dovetail slide system.
 Can also be supplied with an aluminium body when lighter weight stages are required (approx. 50% of weight of standard slides and have 50% of the load capacity).

Technical Notes

Suitable for horizontal and vertical applications requiring smooth movement, long life and high load capacity.

Dovetail linear guideways are very stable for use when a degree of vibration damping is required. Other versions are also available - cross roller slides (L3470), and needle roller slides (L3490) for even higher load ratings. Load ratings are based on even surface loading with the slide in the centre position, and apply to a single slide.
 Coefficient of friction 0,1.

Tips

With no lead screw drive.

Replace -* with

- X for X axis stage
- XY for X,Y axes stage
- XYT for X,Y,. stage

Important Notes

See technical pages for straightness and parallelism accuracy and standard carriage and base fixing holes - other fixing holes can be machined on request.
 3D CAD models available.

Order No.	Stroke	w ₁	Load kN max.	h ₁	l ₁	l ₂	l ₃	l ₄	l ₅	Weight kg
L3180.050-022-*	22	50	0.5	25	76	50	88	6	13.0	0.6
L3180.050-025-*	25	50	0.7	25	102	76	114	6	26.0	0.8
L3180.050-050-*	50	50	1.0	25	152	101	164	6	51.0	1.1
L3180.075-025-*	25	75	10.5	32	102	76	114	6	13.5	1.8
L3180.075-026-*	25	75	14.0	32	127	101	139	6	26.0	2.0
L3180.075-050-*	50	75	14.0	32	152	101	164	6	38.5	2.5
L3180.100-025-*	25	100	19.5	37	152	126	164	6	26.0	4.0
L3180.100-050-*	50	100	23.6	37	203	152	215	6	51.5	4.7
L3180.100-051-*	50	100	31.5	37	254	203	266	6	77.0	6.1
L3180.100-075-*	75	100	35.4	37	305	228	317	6	102.5	7.0
L3180.150-050-*	50	150	30.7	50	203	152	219	8	26.5	10.0
L3180.150-100-*	100	150	41.0	50	305	203	321	8	77.5	13.2
L3180.150-101-*	100	150	61.5	50	406	304	422	8	128.0	18.0
L3180.150-150-*	150	150	51.2	50	406	253	422	8	128.0	16.5
L3180.200-150-*	150	200	86.8	58	457	304	473	8	128.5	30.0
L3180.200-200-*	200	200	116	58	610	406	626	8	205.0	40.0
L3180.300-100-*	100	300	114	75	410	308	430	10	55.0	59.0
L3180.300-200-*	200	300	150	75	610	408	630	10	155.0	80.0
L3180.300-300-*	300	300	150	75	710	408	730	10	205.0	92.0
L3180.300-400-*	400	300	187	75	910	508	930	10	305.0	110.0
L3180.300-500-*	500	300	187	75	1010	508	1030	10	355.0	125.0
L3180.300-600-*	600	300	224	75	1210	608	1230	10	455.0	145.0
L3180.400-200-*	200	400	233	102	610	408	650	20	105.0	169.0



Order No.	Stroke	w ₁	Load kN max.	h ₁	l ₁	l ₂	l ₃	l ₄	l ₅	Weight kg
L3180.400-300-*	300	400	233	102	710	408	750	20	155.0	182.0
L3180.400-400-*	400	400	233	102	810	408	850	20	205.0	195.0
L3180.400-401-*	400	400	290	102	910	508	950	20	255.0	225.0
L3180.400-500-*	500	400	290	102	1010	508	1050	20	305.0	238.0
L3180.400-600-*	600	400	290	102	1110	508	1150	20	355.0	251.0
L3180.400-601-*	600	400	347	102	1210	608	1250	20	405.0	270.0

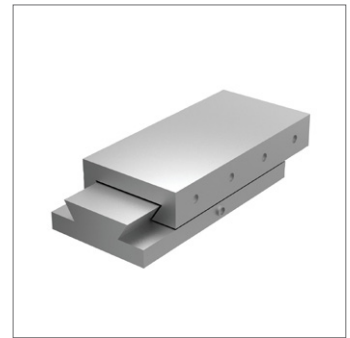
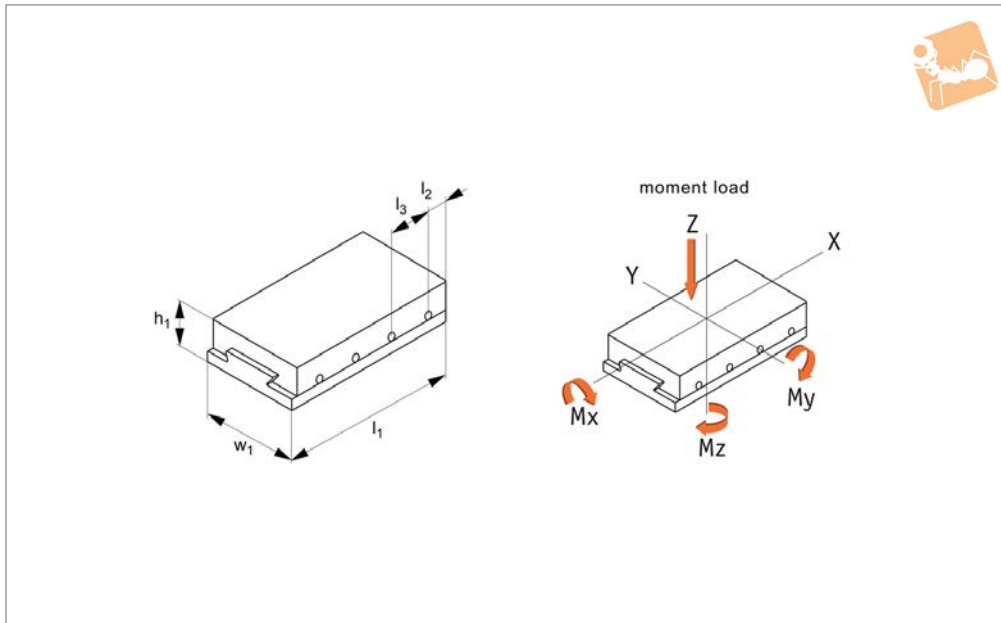
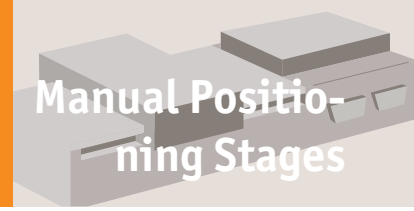
Order No.	w ₂	h ₂	h ₃	h ₄	Moment M _x Nm max.	Moment M _y Nm max.	Moment M _z Nm max.
L3180.050-022-*	0.0	50	-	-	3.4	1.8	2.1
L3180.050-025-*	13.0	50	-	-	5.2	4.1	4.9
L3180.050-050-*	25.5	50	-	-	6.9	7.2	8.6
L3180.075-025-*	0.5	64	82	18	10.0	5.1	6.1
L3180.075-026-*	13.0	64	82	18	14.0	9.1	10.0
L3180.075-050-*	13.0	64	82	18	14.0	9.1	10.0
L3180.100-025-*	13.0	74	92	18	33.0	20.0	24.0
L3180.100-050-*	26.0	74	92	18	40.0	29.0	35.0
L3180.100-051-*	51.5	74	92	18	54.0	52.0	63.0
L3180.100-075-*	64.0	74	92	18	61.0	66.0	79.0
L3180.150-050-*	1.0	100	120	20	77.0	30.0	36.0
L3180.150-100-*	26.5	100	120	20	103	54.0	65.0
L3180.150-101-*	77.0	100	120	20	155	123	146
L3180.150-150-*	51.5	100	120	20	129	85.0	101
L3180.200-150-*	52.0	116	136	20	275	164	195
L3180.200-200-*	103.0	116	136	20	365	290	245
L3180.300-100-*	4.0	150	180	30	605	235	280
L3180.300-200-*	54.0	150	180	30	800	410	490
L3180.300-300-*	54.0	150	180	30	800	410	490
L3180.300-400-*	104.0	150	180	30	1000	640	760
L3180.300-500-*	104.0	150	180	30	1000	640	760
L3180.300-600-*	154.0	150	180	30	1195	915	1095
L3180.400-200-*	4.0	204	244	40	1360	470	560
L3180.400-300-*	4.0	204	244	40	1360	470	560
L3180.400-400-*	4.0	204	244	40	1360	470	560
L3180.400-401-*	54.0	204	244	40	1695	730	870
L3180.400-500-*	54.0	204	244	40	1685	730	870
L3180.400-600-*	54.0	204	244	40	1695	730	870
L3180.400-601-*	104.0	204	244	40	2025	1050	1250



Plain Compact Stages

dovetail

Manual Positioning Stages



L3181

MANUAL POSITIONING STAGES

Material

Cast iron body (ENGJL-250), with dovetail slide system.

Can also be supplied with an aluminium body when lighter weight stages are required (approx. 50% of weight of standard slides and have 50% of the load capacity).

Technical Notes

Suitable for horizontal and vertical applications requiring smooth movement, long life and high load capacity.

Dovetail linear guideways are very stable for use when a degree of vibration damping is required. Other versions are also available - cross roller slides (L3470), and needle roller slides (L3490) for even higher load ratings. Load ratings are based on even surface loading with the slide in the centre position, and apply to a single

slide. Coefficient of friction 0,1.

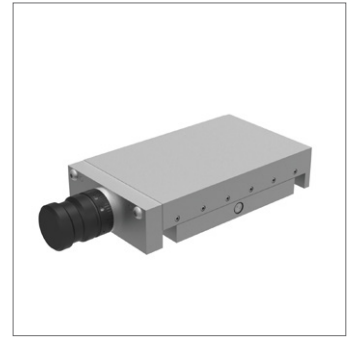
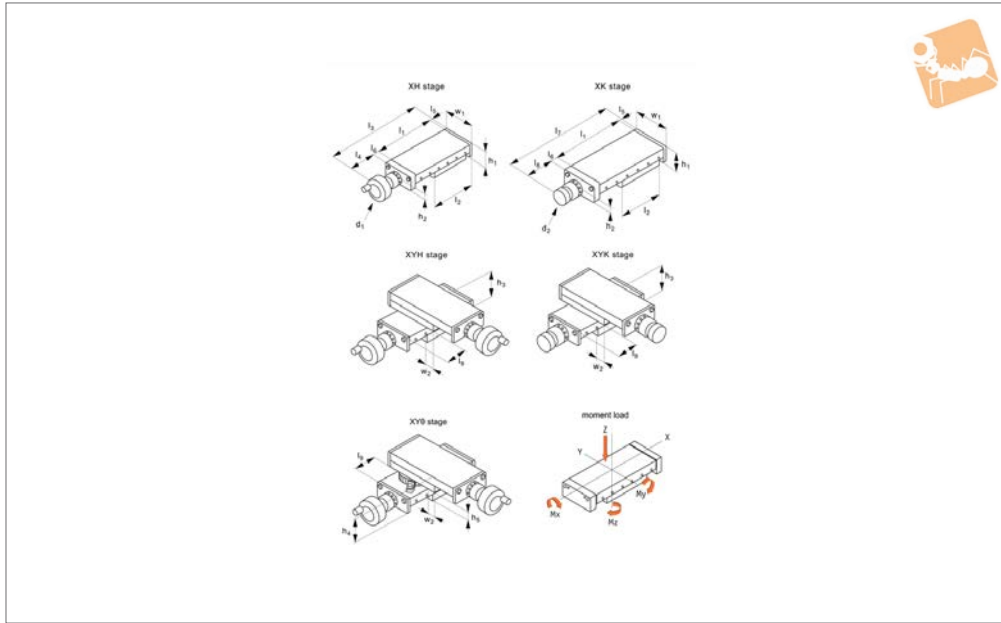
Important Notes

See technical pages for straightness and parallelism accuracy and standard carriage and base fixing holes - other fixing holes can be machined on request. 3D CAD models available.

Order No.	Stroke	w ₁	Load kN max.	h ₁	l ₁	l ₂	l ₃	Moment M _x Nm max.	Moment M _y Nm max.	Moment M _z Nm max.	Weight kg
L3181.050-025	25	50	0.5	25	50	12.5	1 x25	3.4	1.8	2.1	0.5
L3181.050-050	50	50	1.0	25	101	13.0	3 x25	6.9	7.2	8.6	0.7
L3181.050-075	75	50	1.4	25	152	13.5	5 x25	10	16	19	1.4
L3181.050-100	100	50	1.9	25	202	13.5	7 x25	13	29	34	1.8
L3181.075-050	50	75	1.4	32	102	13.0	3 x25	14	9.2	11	1.8
L3181.075-075	75	75	2.1	32	152	13.5	5 x25	21	20	24	2.9
L3181.075-100	100	75	2.8	32	202	13.5	7 x25	28	36	43	3.9
L3181.075-125	125	75	3.5	32	252	13.5	9 x25	35	56	67	4.8
L3181.075-150	150	75	4.2	32	302	13.5	11x25	42	81	96	6.0
L3181.100-050	50	100	1.6	37	102	13.5	3 x25	27	13	15	8.4
L3181.100-075	75	100	2.3	37	152	13.5	5 x25	40	29	35	4.2
L3181.100-100	100	100	3.2	37	203	14.5	7 x25	54	52	63	5.9
L3181.100-125	125	100	3.9	37	254	14.5	9 x25	67	82	98	6.8
L3181.100-150	150	100	4.7	37	305	15.0	11x25	81	119	142	8.8
L3181.100-175	175	100	5.5	37	355	15.0	13x25	94	161	192	10.5
L3181.100-200	200	100	6.3	37	405	15.0	15x25	108	210	250	11.8
L3181.100-225	225	100	7.1	37	445	15.0	17x25	121	265	315	12.9
L3181.100-250	250	100	7.8	37	505	15.0	19x25	135	325	385	14.0
L3181.150-050	50	150	3.1	50	152	26.0	2 x50	77	30	36	11.0
L3181.150-075	75	150	3.1	50	152	26.0	2 x50	77	30	36	11.0
L3181.150-100	100	150	4.1	50	203	26.5	3 x50	103	54	65	13.8
L3181.150-125	125	150	5.1	50	253	26.5	4 x50	129	85	101	15.0
L3181.150-150	150	150	6.2	50	305	27.5	5 x50	155	123	147	16.0
L3181.150-200	200	150	8.2	50	406	28.0	7 x50	205	219	260	22.0
L3181.150-250	250	150	10.2	50	506	28.0	9 x50	255	340	405	27.5



Order No.	Stroke	w ₁	Load kN max.	h ₁	l ₁	l ₂	l ₃	Moment M _x Nm max.	Moment M _y Nm max.	Moment M _z Nm max.	Weight kg
L3181.150-300	300	150	12.3	50	606	28.0	11x50	305	485	580	32.5
L3181.200-050	50	200	5.8	58	203	26.5	3 x50	184	73	87	23.0
L3181.200-100	100	200	5.8	58	203	26.5	3 x50	184	73	87	23.0
L3181.200-150	150	200	8.7	58	304	27.0	5 x50	275	164	195	26.1
L3181.200-200	200	200	11.6	58	406	28.0	7 x50	365	290	345	34.4
L3181.200-250	250	200	14.6	58	510	30.0	9 x50	460	460	550	43.0
L3181.200-300	300	200	17.4	58	610	30.0	11x50	550	660	785	51.5
L3181.200-350	350	200	20.3	58	710	30.0	13x50	645	895	1065	60.0
L3181.200-400	400	200	23.1	58	810	30.0	15x50	735	1165	1385	67.0
L3181.200-500	500	200	23.1	58	810	30.0	15x50	735	1165	1385	67.0
L3181.200-600	600	200	23.1	58	810	30.	15x50	735	1165	1385	67.0



L3182

MANUAL POSITIONING STAGES

Material

Cast iron body (ENGJL-250), with dovetail slide system. Hardened and ground lead screw, pitch accuracy $\pm 0.02\text{mm}/300\text{mm}$. Can also be supplied with an aluminium body when lighter weight stages are required (approx. 50% of weight of standard slides and have 50% of the load capacity).

Technical Notes

Suitable for horizontal and vertical applications requiring smooth movement, long life and high load capacity.

Dovetail linear guideways are very stable for use when a degree of vibration damping is required. Other versions are also available - cross roller slides (L3470), and needle roller slides (L3490) for even higher load ratings. Load ratings are based on even surface loading with the slide in the centre position, and apply to a single slide. Coefficient of friction 0,1.

Tips

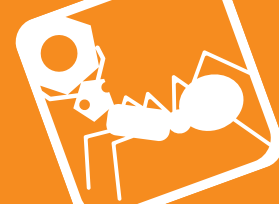
Replace -* with
-XH for X axis stage with handle

- XK for X axis stage with knob
- XYH for X,Y axes stage with handle
- XYK for X,Y axes stage with knob
- XYTH for X,Y,. stage with handle
- XYTK for X,Y,. stage with knob

Important Notes

See technical pages for straightness and parallelism accuracy and standard carriage and base fixing holes - other fixing holes can be machined on request. 3D CAD models available.

Order No.	Stroke	w_1	Load kN max.	h_1	l_1	l_2	l_3	l_4	l_5	l_6	l_7	l_8	Weight kg
L3182.050-022-*	22	50	0.5	25	76	50	156	60.0	14	14	138	42.0	0.8
L3182.050-025-*	25	50	0.7	25	102	76	182	60.0	14	14	164	42.0	0.8
L3182.050-050-*	50	50	1.0	20	152	101	232	60.0	14	14	214	42.0	1.1
L3182.075-025-*	25	75	1.1	32	102	76	193	70.0	15	15	170	47.0	1.8
L3182.075-026-*	25	75	1.4	32	127	101	218	70.0	15	15	195	47.0	2.0
L3182.075-050-*	50	75	1.4	32	152	101	243	70.0	15	15	220	47.0	2.5
L3182.100-025-*	25	100	2.0	37	152	126	243	70.0	15	15	222	49.0	4.0
L3182.100-050-*	50	100	2.4	37	203	152	294	70.0	15	15	273	49.0	4.7
L3182.100-051-*	50	100	3.2	37	254	203	345	70.0	15	15	324	49.0	6.1
L3182.100-075-*	75	100	3.5	37	305	228	396	70.0	15	15	375	49.0	7.0
L3182.150-050-*	50	150	3.1	50	203	152	334	107.0	16	16	297	70.0	10.0
L3182.150-100-*	100	150	4.1	50	305	203	436	107.0	16	16	399	70.0	13.2
L3182.150-101-*	100	150	6.2	50	406	304	357	107.0	16	16	500	70.0	18.0
L3182.150-150-*	150	150	5.1	50	406	253	537	107.0	16	16	500	70.0	16.5
L3182.200-150-*	150	200	8.7	58	457	304	588	107.0	16	16	551	70.0	30.0
L3182.200-200-*	200	200	11.6	58	610	406	741	107.0	16	16	704	70.0	40.0
L3182.300-100-*	100	300	11.4	75	410	308	607	166.5	20	20	538	97.5	59.0
L3182.300-200-*	200	300	15.0	75	610	408	87	166.5	20	20	738	97.5	80.0
L3182.300-300-*	300	300	15.0	75	710	408	907	166.5	20	20	838	97.5	92.0
L3182.300-400-*	400	300	18.7	75	910	508	1107	166.5	20	20	1038	97.5	110.0
L3182.300-500-*	500	300	18.7	75	1010	508	1207	166.5	20	20	1138	97.5	125.0
L3182.300-600-*	600	300	22.4	75	1210	608	1407	166.5	20	20	1338	97.5	145.0



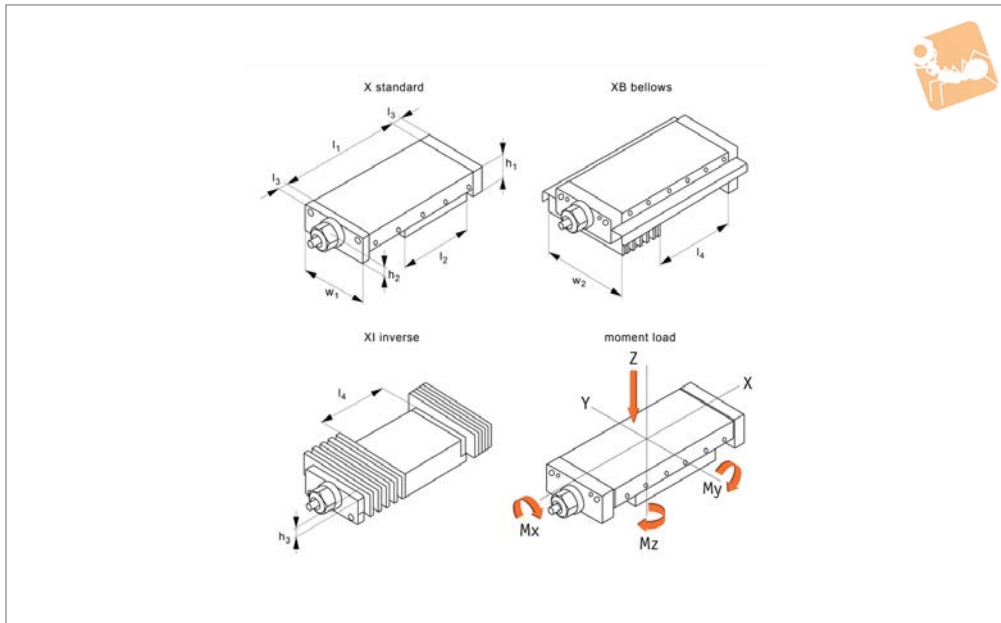
Order No.	Stroke	w ₁	Load kN max.	h ₁	l ₁	l ₂	l ₃	l ₄	l ₅	l ₆	l ₇	l ₈	Weight kg
L3182.400-200-*	200	400	23.3	102	610	408	868	208.0	30	30	783	123.0	169.0
L3182.400-300-*	300	400	23.3	102	710	408	968	208.0	30	30	883	123.0	182.0
L3182.400-400-*	400	400	23.3	102	810	408	1068	208.0	30	30	983	123.0	195.0
L3182.400-401-*	400	400	29.0	102	910	508	1168	208.0	30	30	1083	123.0	225.0
L3182.400-500-*	500	400	29.0	102	1010	508	1268	208.0	30	30	1183	123.0	238.0
L3182.400-600-*	600	400	29.0	102	1110	508	1368	208.0	30	30	1283	123.0	251.0
L3182.400-601-*	600	400	34.7	102	1210	608	1468	208.0	30	30	1383	123.0	270.0

Order No.	l ₉	w ₂	h ₂	h ₃	h ₄	h ₅	d ₁	d ₂	Moment M _x Nm max.	Moment M _y Nm max.	Moment M _z Nm max.	Lead screw
L3182.050-022-*	13.0	0.0	12.5	50	-	-	50	23.9	3.4	1.8	2.1	M 6x1
L3182.050-025-*	26.0	13.0	12.5	50	-	-	50	23.9	5.2	4.1	4.9	M 6x1
L3182.050-050-*	51.0	25.5	12.5	50	-	-	50	23.9	9.9	7.2	8.6	M 6x1
L3182.075-025-*	13.5	0.5	16.0	64	82	18	56	31.0	10	5.1	6.1	M 8x1
L3182.075-026-*	26.0	13.0	16.0	64	82	18	56	31.0	14	9.1	10	M 8x1
L3182.075-050-*	38.5	13.0	16.0	64	82	18	56	31.0	14	9.1	10	M 8x1
L3182.100-025-*	26.0	13.0	18.0	74	92	18	56	35.0	33	20	24	M12x1
L3182.100-050-*	51.5	26.0	18.0	74	92	18	56	35.0	40	29	35	M12x1
L3182.100-051-*	77.0	51.5	18.0	74	92	18	56	35.0	54	52	63	M12x1
L3182.100-075-*	102.5	64.0	18.0	74	92	18	56	35.0	61	66	79	M12x1
L3182.150-050-*	26.5	1.0	24.3	100	120	20	106	48.0	77	30	36	M20x1
L3182.150-100-*	77.5	26.5	24.3	100	120	20	106	48.0	103	54	65	M20x1
L3182.150-101-*	128.0	77.0	24.3	100	120	20	106	48.0	155	123	146	M20x1
L3182.150-150-*	128.0	51.5	24.3	100	120	20	106	48.0	129	85	101	M20x1
L3182.200-150-*	128.5	52.0	28.3	116	136	20	106	48.0	275	164	195	M20x1
L3182.200-200-*	205.0	103.0	28.3	116	136	20	106	48.0	365	290	245	M20x1
L3182.300-100-*	55.0	4.0	35.0	150	180	30	125	68.0	605	235	280	TR26x4
L3182.300-200-*	155.0	54.0	35.0	150	180	30	125	68.0	800	410	490	TR26x4
L3182.300-300-*	205.0	54.0	35.0	150	180	30	125	68.0	800	410	490	TR26x4
L3182.300-400-*	305.0	104.0	35.0	150	180	30	125	68.0	1000	640	760	TR26x4
L3182.300-500-*	355.0	104.0	35.0	150	180	30	125	68.0	1000	640	760	TR26x4
L3182.300-600-*	455.0	154.0	35.0	150	180	30	125	68.0	1195	915	1095	TR26x4
L3182.400-200-*	105.0	4.0	43.5	204	244	40	200	84.0	1360	470	560	TR32x4
L3182.400-300-*	155.0	4.0	43.5	204	244	40	200	84.0	1360	470	560	TR32x4
L3182.400-400-*	205.0	4.0	43.5	204	244	40	200	84.0	1360	470	560	TR32x4
L3182.400-401-*	255.0	54.0	43.5	204	244	40	200	84.0	1695	730	870	TR32x4
L3182.400-500-*	305.0	54.0	43.5	204	244	40	200	84.0	1685	730	870	TR32x4
L3182.400-600-*	355.0	54.0	43.5	204	244	40	200	84.0	1695	730	870	TR32x4
L3182.400-601-*	405.0	104.0	43.5	204	244	40	200	84.0	2025	1050	1250	TR32x4



Motor Lead Screw X Stages dovetail

Manual Positioning Stages



L3184

MANUAL POSITIONING STAGES

Material

Cast iron body (ENGJL-250), with dovetail slide system. Hardened and ground lead screw, pitch accuracy $\pm 0.015\text{mm}/300\text{mm}$. Can also be supplied with an aluminium body when lighter weight stages are required (approx. 50% of weight of standard slides and have 50% of the load capacity).

Technical Notes

Suitable for horizontal and vertical applications requiring smooth movement, long life and high load capacity. Dovetail linear guideways are very stable

for use when a degree of vibration damping is required. Other versions are also available - cross roller slides (L3470), and needle roller slides (L3490) for even higher load ratings. Load ratings are based on even surface loading with the slide in the centre position, and apply to a single slide. Coefficient of friction 0,1. Speeds up to 3000 rpm, max. 20 m/min. Positioning accuracy max. 0.001mm.

Tips

Replace -* with -X for X axis stage

-XB for X axis stage with bellows

-XI for inverse X axis stage with bellows

When limit switches are installed the stroke is reduced by approx. 20mm.

Important Notes

See technical pages for straightness and parallelism accuracy and standard carriage and base fixing holes - other fixing holes can be machined on request. 3D CAD models available.

Order No.	Stroke	w ₁	Load kN max.	h ₁	l ₁	l ₂	l ₃	l ₄	Weight kg
L3184.075-025-*	25	75	1.0	32	102	76	15	50	1.8
L3184.075-026-*	25	75	1.4	32	127	101	15	65	2.0
L3184.075-050-*	50	75	1.4	32	152	101	15	55	2.5
L3184.100-025-*	25	100	2.0	37	152	126	15	100	4.0
L3184.100-050-*	50	100	2.4	37	203	152	15	115	4.7
L3184.100-051-*	50	100	3.2	37	254	203	15	160	6.1
L3184.100-075-*	75	100	3.5	37	305	228	15	180	7.0
L3184.150-050-*	50	150	3.1	50	203	152	16	120	10.0
L3184.150-100-*	100	150	4.1	50	305	203	16	150	13.2
L3184.150-101-*	100	150	6.2	50	406	304	16	250	18.0
L3184.150-150-*	150	150	5.1	50	406	253	16	190	16.5
L3184.200-150-*	150	200	8.7	58	457	304	16	250	30.0
L3184.200-200-*	200	200	11.6	58	610	406	16	340	40.0
L3184.300-100-*	100	300	11.4	75	410	308	20	280	59.0
L3184.300-200-*	200	300	15.0	75	610	408	20	380	80.0
L3184.300-300-*	300	300	15.0	75	710	408	20	380	92.0
L3184.300-400-*	400	300	18.7	75	910	508	20	480	110.0
L3184.300-500-*	500	300	18.7	75	1010	508	20	480	125.0
L3184.300-600-*	600	300	22.4	75	1210	608	20	580	145.0
L3184.400-200-*	200	400	23.3	102	610	408	70	380	169.0
L3184.400-300-*	300	400	23.3	102	710	408	70	380	182.0



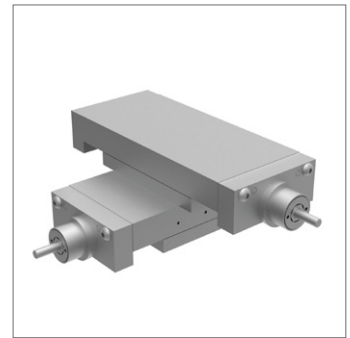
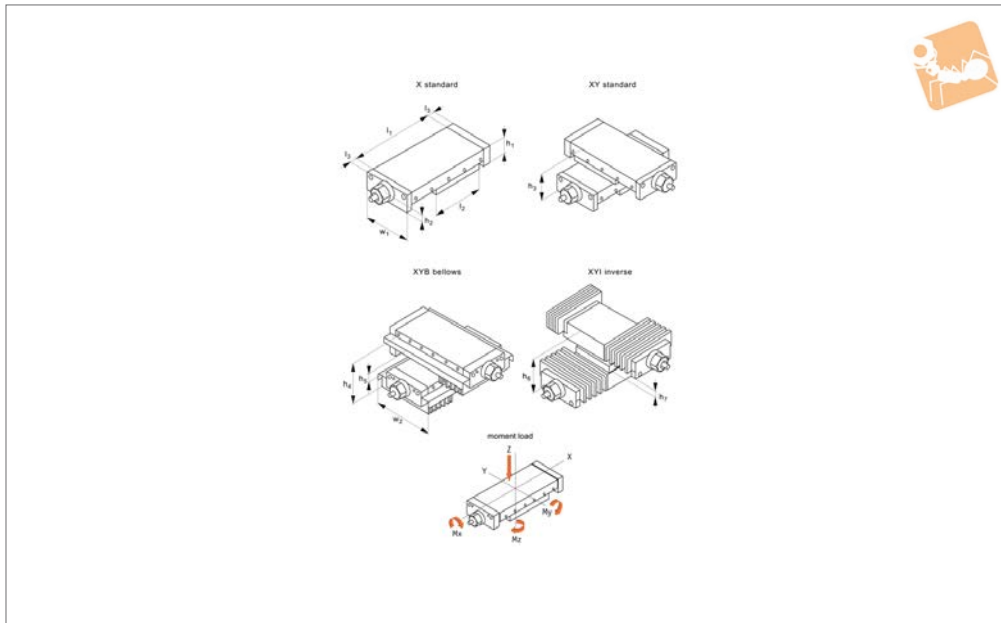
Order No.	Stroke	w ₁	Load kN max.	h ₁	l ₁	l ₂	l ₃	l ₄	Weight kg
L3184.400-400-*	400	400	23.3	102	810	408	90	380	195.0
L3184.400-401-*	400	400	29.0	102	910	508	90	480	225.0
L3184.400-500-*	500	400	29.0	102	1010	508	100	480	238.0
L3184.400-600-*	600	400	29.0	102	1110	508	100	480	251.0
L3184.400-601-*	600	400	34.7	102	1210	508	100	580	270.0

Order No.	w ₂	h ₂	h ₃	Moment M _x Nm max.	Moment M _y Nm max.	Moment M _z Nm max.	Lead screw
L3184.075-025-*	110	11.5	14	10	5.1	6.1	8 x1
L3184.075-026-*	110	11.5	14	14	9.1	10	8 x1
L3184.075-050-*	110	11.5	14	14	9.1	10	8 x1
L3184.100-025-*	135	13.5	14	33	20	24	8 x1
L3184.100-050-*	135	13.5	14	40	29	35	8 x1
L3184.100-051-*	135	13.5	14	54	52	63	8 x1
L3184.100-075-*	135	13.5	14	61	66	79	8 x1
L3184.150-050-*	205	19.0	24	77	30	36	15x2
L3184.150-100-*	205	19.0	24	103	54	65	15x2
L3184.150-101-*	205	19.0	24	155	123	146	15x2
L3184.150-150-*	205	19.0	24	129	85	101	15x2
L3184.200-150-*	255	21.5	24	275	164	195	15x2
L3184.200-200-*	255	21.5	24	365	290	345	15x2
L3184.300-100-*	375	26.0	32	605	235	280	23x4
L3184.300-200-*	375	26.0	32	800	410	490	23x4
L3184.300-300-*	375	26.0	32	800	410	490	23x4
L3184.300-400-*	375	26.0	32	1000	640	760	23x4
L3184.300-500-*	375	26.0	32	1000	640	760	23x4
L3184.300-600-*	375	26.0	32	1195	915	1095	23x4
L3184.400-200-*	480	34.0	37	1360	470	560	23x4
L3184.400-300-*	480	34.0	37	1360	470	560	23x4
L3184.400-400-*	480	34.0	37	1360	470	560	23x4
L3184.400-401-*	480	34.0	37	1695	730	870	23x4
L3184.400-500-*	480	34.0	37	1685	730	870	23x4
L3184.400-600-*	480	34.0	37	1695	730	870	23x4
L3184.400-601-*	480	34.0	37	2025	1050	1250	23x4



Motor Lead Screw XY Stages dovetail

Manual Positioning Stages



L3185

MANUAL POSITIONING STAGES

Material

Cast iron body (ENGJL-250), with dovetail slide system. Hardened and ground lead screw, pitch accuracy $\pm 0.015\text{mm}/300\text{mm}$. Can also be supplied with an aluminium body when lighter weight stages are required (approx. 50% of weight of standard slides and have 50% of the load capacity).

Technical Notes

Suitable for horizontal and vertical applications requiring smooth movement, long life and high load capacity. Dovetail linear guideways are very stable

for use when a degree of vibration damping is required. Other versions are also available - cross roller slides (L3470), and needle roller slides (L3490) for even higher load ratings. Load ratings are based on even surface loading with the slide in the centre position, and apply to a single slide. Coefficient of friction 0,1. Speeds up to 3000 rpm, max. 20 m/min. Positioning accuracy max. 0.001mm.

Tips

Replace -* with -XY for XY axis stage

-XYB for XY axis stage with bellows
-XYI for inverse X axis stage with bellows
When limit switches are installed the stroke is reduced by approx. 20mm.

Important Notes

See technical pages for straightness and parallelism accuracy and standard carriage and base fixing holes - other fixing holes can be machined on request. 3D CAD models available.

Order No.	Stroke	w ₁	Load kN max.	h ₁	l ₁	l ₂	l ₃	w ₂	h ₂	h ₃	Weight kg
L3185.075-025-*	25	75	1.0	32	102	76	15	110	11.5	64	1.8
L3185.075-026-*	25	75	1.4	32	127	101	15	110	11.5	64	2.0
L3185.075-050-*	50	75	1.4	32	152	101	15	110	11.5	64	2.5
L3185.100-025-*	25	100	2.0	37	152	126	15	135	13.5	74	4.0
L3185.100-050-*	50	100	2.4	37	203	152	15	135	13.5	74	4.7
L3185.100-051-*	50	100	3.2	37	254	203	15	135	13.5	74	6.1
L3185.100-075-*	75	100	3.5	37	305	228	15	135	13.5	74	7.0
L3185.150-050-*	50	150	3.1	50	203	152	16	205	19.0	100	10.0
L3185.150-100-*	100	150	4.1	50	305	203	16	205	19.0	100	13.2
L3185.150-101-*	100	150	6.2	50	406	304	16	205	19.0	100	18.0
L3185.150-150-*	150	150	5.1	50	406	253	16	205	19.0	100	16.5
L3185.200-150-*	150	200	8.7	58	457	304	16	255	21.5	116	30.0
L3185.200-200-*	200	200	11.6	58	610	406	16	255	21.5	116	40.0
L3185.300-100-*	100	300	11.4	75	410	308	20	375	26.0	150	59.0
L3185.300-200-*	200	300	15.0	75	610	408	20	375	26.0	150	80.0
L3185.300-300-*	300	300	15.0	75	710	408	20	375	26.0	150	92.0
L3185.300-400-*	400	300	18.7	75	910	508	20	375	26.0	150	110.0
L3185.300-500-*	500	300	18.7	75	1010	508	20	375	26.0	150	125.0
L3185.300-600-*	600	300	22.4	75	1210	608	20	375	26.0	150	145.0
L3185.400-200-*	200	400	23.3	102	610	408	70	480	34.0	204	169.0
L3185.400-300-*	300	400	23.3	102	710	408	0	480	34.0	204	182.0



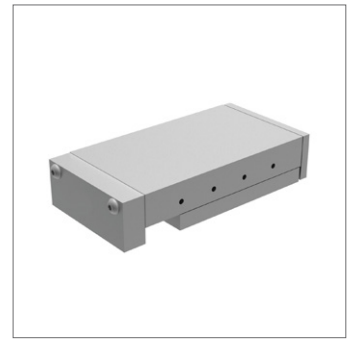
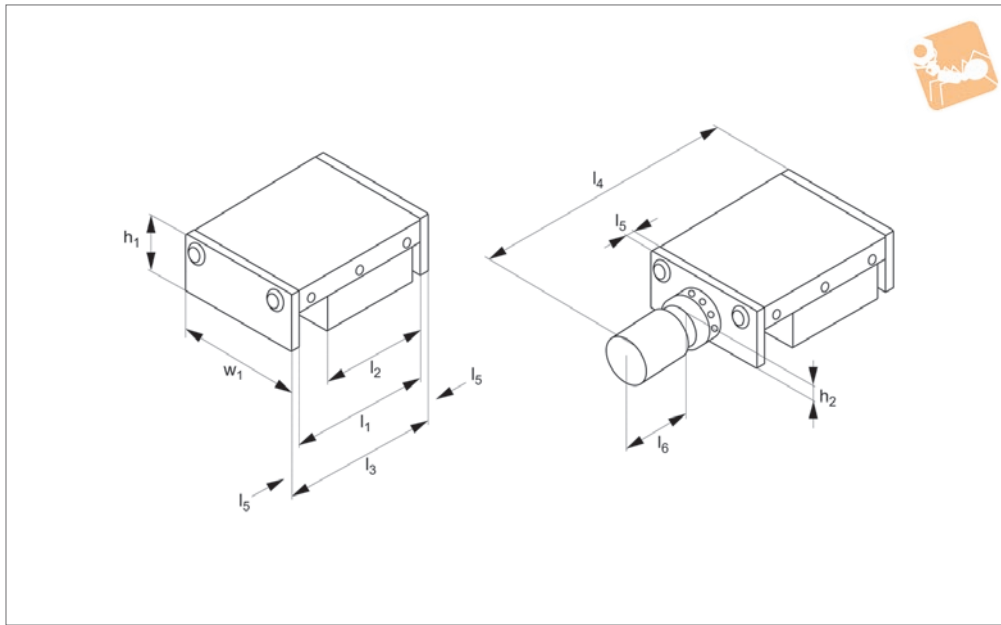
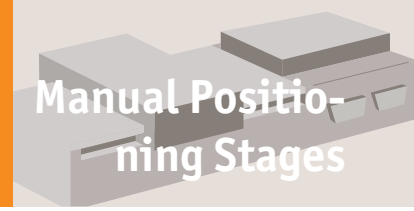
Order No.	Stroke	w ₁	Load kN max.	h ₁	l ₁	l ₂	l ₃	w ₂	h ₂	h ₃	Weight kg
L3185.400-400-*	400	400	23.3	102	810	408	90	480	34.0	204	195.0
L3185.400-401-*	400	400	29.0	102	910	508	90	480	34.0	204	225.0
L3185.400-500-*	500	400	29.0	102	1010	508	100	480	34.0	204	238.0
L3185.400-600-*	600	400	29.0	102	1110	508	100	480	34.0	204	251.0
L3185.400-601-*	600	400	34.7	102	1210	508	100	480	34.0	204	270.0

Order No.	h ₄	h ₅	h ₆	h ₇	Moment M _x Nm max.	Moment M _y Nm max.	Moment M _z Nm max.	Lead screw
L3185.075-025-*	79	15	79	15	10	5.1	6.1	8 x1
L3185.075-026-*	79	15	79	15	14	9.1	10	8 x1
L3185.075-050-*	79	15	79	15	14	9.1	10	8 x1
L3185.100-025-*	89	15	89	15	33	20	24	8 x1
L3185.100-050-*	89	15	89	15	40	29	35	8 x1
L3185.100-051-*	89	15	89	15	54	52	63	8 x1
L3185.100-075-*	89	15	89	15	61	66	79	8 x1
L3185.150-050-*	125	25	125	25	77	30	36	15x2
L3185.150-100-*	125	25	125	25	103	54	65	15x2
L3185.150-101-*	125	25	125	25	155	123	146	15x2
L3185.150-150-*	125	25	125	25	129	85	101	15x2
L3185.200-150-*	141	25	141	25	275	164	195	15x2
L3185.200-200-*	141	25	141	25	365	290	345	15x2
L3185.300-100-*	185	35	185	35	605	235	280	23x4
L3185.300-200-*	185	-	185	-	800	410	490	23x4
L3185.300-300-*	185	-	185	-	800	410	490	23x4
L3185.300-400-*	185	-	185	-	1000	640	760	23x4
L3185.300-500-*	185	-	185	-	1000	640	760	23x4
L3185.300-600-*	185	-	185	-	1195	915	1095	23x4
L3185.400-200-*	229	25	229	25	1360	470	560	30x4
L3185.400-300-*	229	25	229	25	1360	470	560	30x4
L3185.400-400-*	229	25	229	25	1360	470	560	30x4
L3185.400-401-*	229	25	229	25	1695	730	870	30x4
L3185.400-500-*	204	-	204	-	1685	730	870	30x4
L3185.400-600-*	204	-	204	-	1695	730	870	30x4
L3185.400-601-*	204	-	204	-	2025	1050	1250	30x4



Miniature XY Stages dovetail

Manual Positioning Stages



L3188

MANUAL POSITIONING STAGES

Material

Cast iron body (ENGJL-250), with dovetail slide system. Hardened and ground lead screw, pitch accuracy $\pm 0.02\text{mm}/300\text{mm}$.

Technical Notes

Suitable for horizontal and vertical applications requiring smooth movement, long life and high load capacity.

Dovetail linear guideways are very stable for use when a degree of vibration damping

is required. Other versions are also available - cross roller slides (L3470), and needle roller slides (L3490) for even higher load ratings. Load ratings are based on even surface loading with the slide in the centre position, and apply to a single slide.

Coefficient of friction 0,1.

Tips

Lead screw pitch M6 x 0,5.

Centre mounting of compound slides is standard. Please advise dimensions w_2 and l_7 when off-centre mounting is required.

Important Notes

See technical pages for straightness and parallelism accuracy and standard carriage and base fixing holes - other fixing holes can be machined on request.

3D CAD models available.

Order No.	Stroke	w_1	Load kN max.	h_1	l_1	l_2	l_3	l_4	l_5	h_2	Moment M_x Nm max.	Moment M_y Nm max.	Moment M_z Nm max.	Lead screw	Weight kg
L3188.030-010	10	30	0.15	17	35	25	41	-	3	8.5	0.5	0.2	0.3	M6x0,5	0.2
L3188.030-020	20	30	0.22	17	55	35	61	-	3	8.5	0.7	0.4	0.5	M6x0,5	0.3
L3188.030-030	30	30	0.22	17	65	35	71	-	3	8.5	0.7	0.4	0.5	M6x0,5	0.4
L3188.030-040	40	30	0.28	17	85	45	91	-	3	8.5	1.0	0.7	0.8	M6x0,5	0.5
L3188.030-050	50	30	0.34	17	105	55	111	-	3	8.5	1.2	1.0	1.2	M6x0,5	0.6
L3188.030-010-K	10	30	0.15	17	35	25	41	65	3	8.5	0.5	0.2	0.3	M6x0,5	0.2
L3188.030-020-K	20	30	0.22	17	55	35	61	85	3	8.5	0.7	0.4	0.5	M6x0,5	0.3
L3188.030-030-K	30	30	0.22	17	65	35	71	95	3	8.5	0.7	0.4	0.5	M6x0,5	0.4
L3188.030-040-K	40	30	0.28	17	85	45	91	115	3	8.5	1.0	0.7	0.8	M6x0,5	0.5
L3188.030-050-K	50	30	0.34	17	105	55	111	135	3	8.5	1.2	1.0	1.2	M6x0,5	0.6