
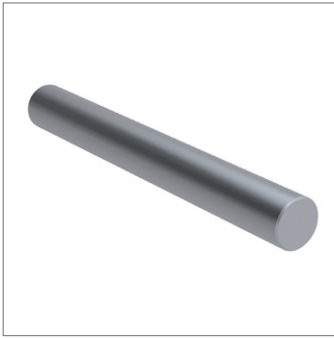


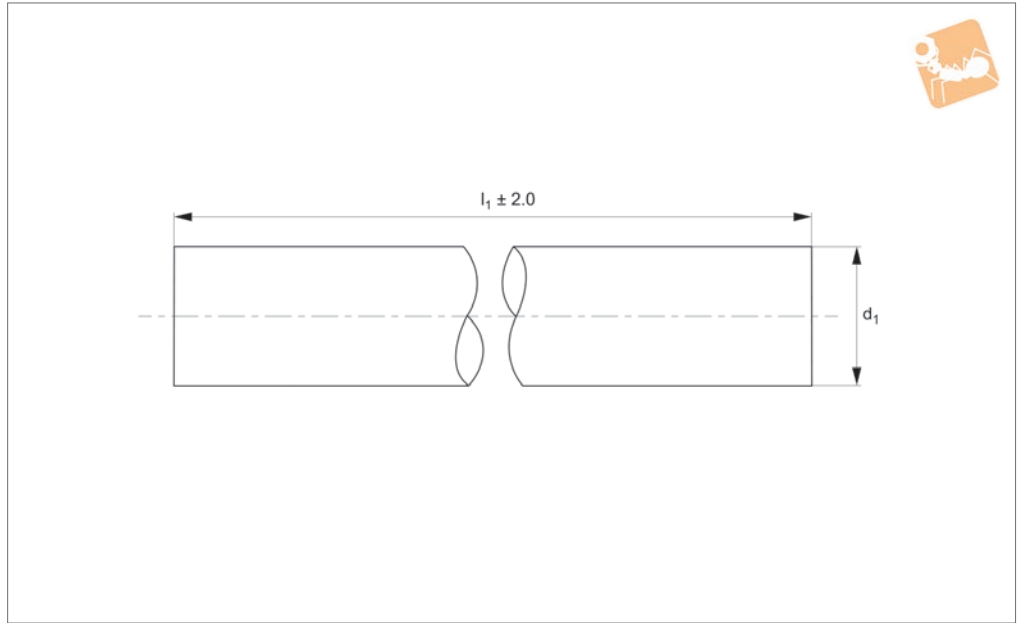


Linear Shafts from Automotion Components

<p>L1770 - Hardened steel shafts</p>  <p>For use with linear bearings.</p> <p>Ø6 to Ø60</p>	<p>L1771 - Hardened hollow shafts</p>  <p>For use with linear bearings. Hollowed for lighter weight.</p> <p>Ø12 to Ø50</p>
<p>L1772 - Hardened Stainless shafts</p>  <p>For use with linear bearings Anti-corrosion.</p> <p>Ø6 to Ø60</p>	<p>L1773 - Stainless 303 shafts</p>  <p>Soft stainless, high anti-corrosion. Not for use with ball bush linear bearings.</p> <p>Ø6 to Ø60</p>
<p>L1774 - Stainless 316 shafts</p>  <p>Soft stainless, very high anti-corrosion. Not for use with ball bushing linear bearings.</p> <p>Ø6 to Ø60</p>	<p>L1778 - Aluminium shafts</p>  <p>Light weight, non-magnetic.</p> <p>Ø10 to Ø50</p>



L1773.06



Material

Stainless steel AISI 303 (1.4305, X10CrNiS18-19), surface finish 0.3-0.6 μ Ra, ground and polished to 8-12 cla. Yield stress: >510 N/mm², tensile strength: >720 N/mm².

Technical Notes

Tolerance, h6 standard, other tolerances

on request.
Straightness 0,3mm/m.

Tips

Modifications, drilled and tapped holes, circlip grooves, special coatings etc. available.

Shafts lengths are cut to typically ± 2 mm.
To be used with ceramic or other bearings

not containing hardened ball bearings.

Order No.	d_1	l_1	Tolerance μ tol. h6
L1773.06-0100	6	100	+0,-8
L1773.06-0150	6	150	+0,-8
L1773.06-0200	6	200	+0,-8
L1773.06-0250	6	250	+0,-8
L1773.06-0300	6	300	+0,-8
L1773.06-0350	6	350	+0,-8
L1773.06-0400	6	400	+0,-8
L1773.06-0450	6	450	+0,-8
L1773.06-0500	6	500	+0,-8
L1773.06-0550	6	550	+0,-8
L1773.06-0600	6	600	+0,-8
L1773.06-0650	6	650	+0,-8
L1773.06-0700	6	700	+0,-8
L1773.06-0750	6	750	+0,-8
L1773.06-0800	6	800	+0,-8
L1773.06-0850	6	850	+0,-8
L1773.06-0900	6	900	+0,-8
L1773.06-0950	6	950	+0,-8
L1773.06-1000	6	1000	+0,-8
L1773.06-1050	6	1050	+0,-8
L1773.06-1100	6	1100	+0,-8
L1773.06-1150	6	1150	+0,-8
L1773.06-1200	6	1200	+0,-8
L1773.06-1250	6	1250	+0,-8
L1773.06-1300	6	1300	+0,-8
L1773.06-1350	6	1350	+0,-8
L1773.06-1400	6	1400	+0,-8
L1773.06-1450	6	1450	+0,-8
L1773.06-1500	6	1500	+0,-8



6Ø Stainless AISI 303 Shafts

soft

Linear Shaft Bars

Order No.	d ₁	l ₁	Tolerance μ tol. h6
L1773.06-1550	6	1550	+0,-8
L1773.06-1600	6	1600	+0,-8
L1773.06-1650	6	1650	+0,-8
L1773.06-1700	6	1700	+0,-8
L1773.06-1750	6	1750	+0,-8
L1773.06-1800	6	1800	+0,-8
L1773.06-1850	6	1850	+0,-8
L1773.06-1900	6	1900	+0,-8
L1773.06-1950	6	1950	+0,-8
L1773.06-2000	6	2000	+0,-8
L1773.06-2050	6	2050	+0,-8
L1773.06-2100	6	2100	+0,-8
L1773.06-2150	6	2150	+0,-8
L1773.06-2200	6	2200	+0,-8
L1773.06-2250	6	2250	+0,-8
L1773.06-2300	6	2300	+0,-8
L1773.06-2350	6	2350	+0,-8
L1773.06-2400	6	2400	+0,-8
L1773.06-2450	6	2450	+0,-8
L1773.06-2500	6	2500	+0,-8
L1773.06-2550	6	2550	+0,-8
L1773.06-2600	6	2600	+0,-8
L1773.06-2650	6	2650	+0,-8
L1773.06-2700	6	2700	+0,-8
L1773.06-2750	6	2750	+0,-8
L1773.06-2800	6	2800	+0,-8
L1773.06-2850	6	2850	+0,-8
L1773.06-2900	6	2900	+0,-8
L1773.06-2950	6	2950	+0,-8
L1773.06-3000	6	3000	+0,-8
L1773.06-3050	6	3050	+0,-8
L1773.06-3100	6	3100	+0,-8
L1773.06-3150	6	3150	+0,-8
L1773.06-3200	6	3200	+0,-8
L1773.06-3250	6	3250	+0,-8
L1773.06-3300	6	3300	+0,-8
L1773.06-3350	6	3350	+0,-8
L1773.06-3400	6	3400	+0,-8
L1773.06-3450	6	3450	+0,-8
L1773.06-3500	6	3500	+0,-8
L1773.06-3550	6	3550	+0,-8
L1773.06-3600	6	3600	+0,-8
L1773.06-3650	6	3650	+0,-8
L1773.06-3700	6	3700	+0,-8
L1773.06-3750	6	3750	+0,-8
L1773.06-3800	6	3800	+0,-8
L1773.06-3850	6	3850	+0,-8
L1773.06-3900	6	3900	+0,-8
L1773.06-3950	6	3950	+0,-8
L1773.06-4000	6	4000	+0,-8
L1773.06-4050	6	4050	+0,-8
L1773.06-4100	6	4100	+0,-8
L1773.06-4150	6	4150	+0,-8
L1773.06-4200	6	4200	+0,-8
L1773.06-4250	6	4250	+0,-8
L1773.06-4300	6	4300	+0,-8
L1773.06-4350	6	4350	+0,-8
L1773.06-4400	6	4400	+0,-8
L1773.06-4450	6	4450	+0,-8
L1773.06-4500	6	4500	+0,-8
L1773.06-4550	6	4550	+0,-8
L1773.06-4600	6	4600	+0,-8
L1773.06-4650	6	4650	+0,-8
L1773.06-4700	6	4700	+0,-8
L1773.06-4750	6	4750	+0,-8
L1773.06-4800	6	4800	+0,-8
L1773.06-4850	6	4850	+0,-8
L1773.06-4900	6	4900	+0,-8

LINEAR SHAFT BARS



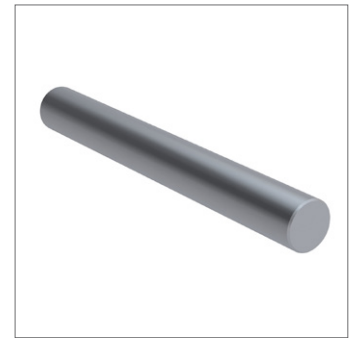
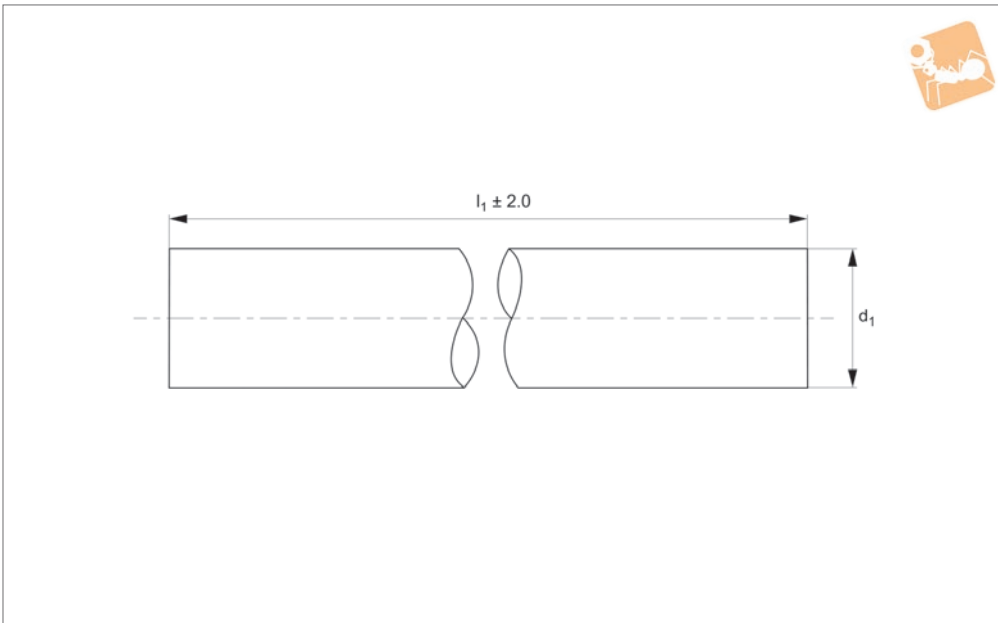
Order No.	d ₁	l ₁	Tolerance μ tol. h6
L1773.06-4950	6	4950	+0,-8
L1773.06-5000	6	5000	+0,-8
L1773.06-5050	6	5050	+0,-8
L1773.06-5100	6	5100	+0,-8
L1773.06-5150	6	5150	+0,-8
L1773.06-5200	6	5200	+0,-8
L1773.06-5250	6	5250	+0,-8
L1773.06-5300	6	5300	+0,-8
L1773.06-5350	6	5350	+0,-8
L1773.06-5400	6	5400	+0,-8
L1773.06-5450	6	5450	+0,-8
L1773.06-5500	6	5500	+0,-8
L1773.06-5550	6	5550	+0,-8
L1773.06-5600	6	5600	+0,-8
L1773.06-5650	6	5650	+0,-8
L1773.06-5700	6	5700	+0,-8
L1773.06-5750	6	5750	+0,-8
L1773.06-5800	6	5800	+0,-8
L1773.06-5850	6	5850	+0,-8
L1773.06-5900	6	5900	+0,-8
L1773.06-5950	6	5950	+0,-8
L1773.06-6000	6	6000	+0,-8



8Ø Stainless AISI 303 Shafts

soft

Linear Shaft Bars



L1773.08

LINEAR SHAFT BARS

Material

Stainless steel AISI 303 (1.4305, X10CrNiS18-19), surface finish 0.3-0.6µ Ra, ground and polished to 8-12 cla. Yield stress: >510 N/mm², tensile strength: >720 N/mm².

Technical Notes

Tolerance, h6 standard, other tolerances

on request.
Straightness 0,3mm/m.

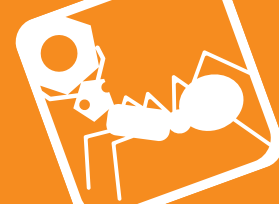
Tips

Modifications, drilled and tapped holes, circlip grooves, special coatings etc. available.

Shafts lengths are cut to typically ± 2mm.
To be used with ceramic or other bearings

not containing hardened ball bearings.

Order No.	d ₁ tol. h6	l ₁	Tolerance µ tol. h6
L1773.08-0100	8	100	+0,-9
L1773.08-0150	8	150	+0,-9
L1773.08-0200	8	200	+0,-9
L1773.08-0250	8	250	+0,-9
L1773.08-0300	8	300	+0,-9
L1773.08-0350	8	350	+0,-9
L1773.08-0400	8	400	+0,-9
L1773.08-0450	8	450	+0,-9
L1773.08-0500	8	500	+0,-9
L1773.08-0550	8	550	+0,-9
L1773.08-0600	8	600	+0,-9
L1773.08-0650	8	650	+0,-9
L1773.08-0700	8	700	+0,-9
L1773.08-0750	8	750	+0,-9
L1773.08-0800	8	800	+0,-9
L1773.08-0850	8	850	+0,-9
L1773.08-0900	8	900	+0,-9
L1773.08-0950	8	950	+0,-9
L1773.08-1000	8	1000	+0,-9
L1773.08-1050	8	1050	+0,-9
L1773.08-1100	8	1100	+0,-9
L1773.08-1150	8	1150	+0,-9
L1773.08-1200	8	1200	+0,-9
L1773.08-1250	8	1250	+0,-9
L1773.08-1300	8	1300	+0,-9
L1773.08-1350	8	1350	+0,-9
L1773.08-1400	8	1400	+0,-9
L1773.08-1450	8	1450	+0,-9
L1773.08-1500	8	1500	+0,-9



Order No.	d ₁ tol. h6	l ₁	Tolerance μ tol. h6
L1773.08-1550	8	1550	+0,-9
L1773.08-1600	8	1600	+0,-9
L1773.08-1650	8	1650	+0,-9
L1773.08-1700	8	1700	+0,-9
L1773.08-1750	8	1750	+0,-9
L1773.08-1800	8	1800	+0,-9
L1773.08-1850	8	1850	+0,-9
L1773.08-1900	8	1900	+0,-9
L1773.08-1950	8	1950	+0,-9
L1773.08-2000	8	2000	+0,-9
L1773.08-2050	8	2050	+0,-9
L1773.08-2100	8	2100	+0,-9
L1773.08-2150	8	2150	+0,-9
L1773.08-2200	8	2200	+0,-9
L1773.08-2250	8	2250	+0,-9
L1773.08-2300	8	2300	+0,-9
L1773.08-2350	8	2350	+0,-9
L1773.08-2400	8	2400	+0,-9
L1773.08-2450	8	2450	+0,-9
L1773.08-2500	8	2500	+0,-9
L1773.08-2550	8	2550	+0,-9
L1773.08-2600	8	2600	+0,-9
L1773.08-2650	8	2650	+0,-9
L1773.08-2700	8	2700	+0,-9
L1773.08-2750	8	2750	+0,-9
L1773.08-2800	8	2800	+0,-9
L1773.08-2850	8	2850	+0,-9
L1773.08-2900	8	2900	+0,-9
L1773.08-2950	8	2950	+0,-9
L1773.08-3000	8	3000	+0,-9
L1773.08-3050	8	3050	+0,-9
L1773.08-3100	8	3100	+0,-9
L1773.08-3150	8	3150	+0,-9
L1773.08-3200	8	3200	+0,-9
L1773.08-3250	8	3250	+0,-9
L1773.08-3300	8	3300	+0,-9
L1773.08-3350	8	3350	+0,-9
L1773.08-3400	8	3400	+0,-9
L1773.08-3450	8	3450	+0,-9
L1773.08-3500	8	3500	+0,-9
L1773.08-3550	8	3550	+0,-9
L1773.08-3600	8	3600	+0,-9
L1773.08-3650	8	3650	+0,-9
L1773.08-3700	8	3700	+0,-9
L1773.08-3750	8	3750	+0,-9
L1773.08-3800	8	3800	+0,-9
L1773.08-3850	8	3850	+0,-9
L1773.08-3900	8	3900	+0,-9
L1773.08-3950	8	3950	+0,-9
L1773.08-4000	8	4000	+0,-9
L1773.08-4050	8	4050	+0,-9
L1773.08-4100	8	4100	+0,-9
L1773.08-4150	8	4150	+0,-9
L1773.08-4200	8	4200	+0,-9
L1773.08-4250	8	4250	+0,-9
L1773.08-4300	8	4300	+0,-9
L1773.08-4350	8	4350	+0,-9
L1773.08-4400	8	4400	+0,-9
L1773.08-4450	8	4450	+0,-9
L1773.08-4500	8	4500	+0,-9
L1773.08-4550	8	4550	+0,-9
L1773.08-4600	8	4600	+0,-9
L1773.08-4650	8	4650	+0,-9
L1773.08-4700	8	4700	+0,-9
L1773.08-4750	8	4750	+0,-9
L1773.08-4800	8	4800	+0,-9
L1773.08-4850	8	4850	+0,-9
L1773.08-4900	8	4900	+0,-9



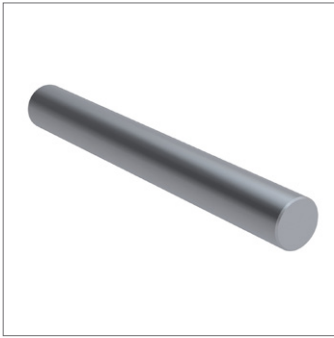
8Ø Stainless AISI 303 Shafts

soft

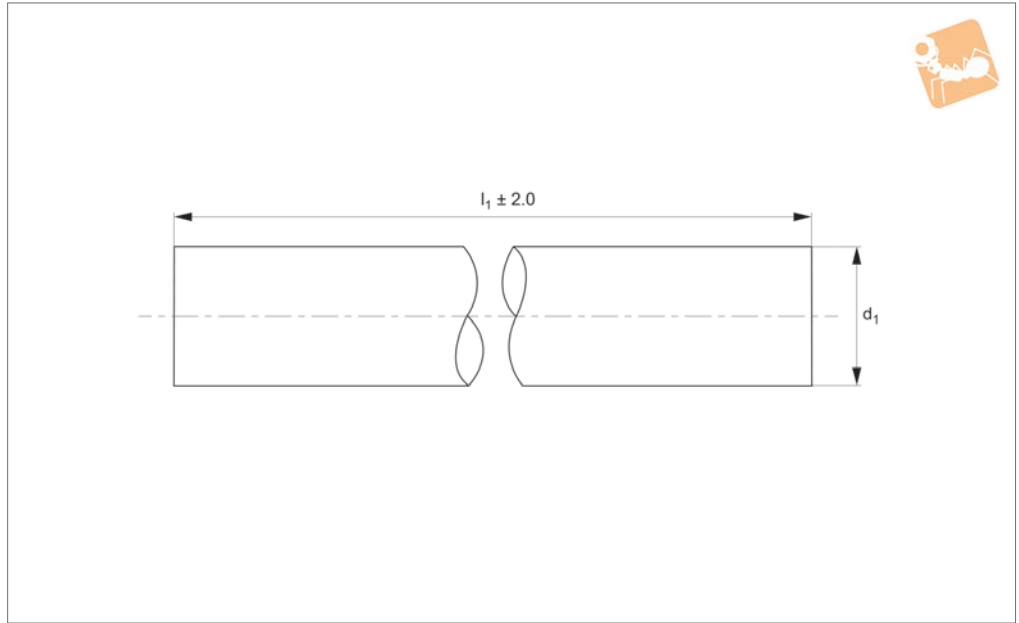
Linear Shaft Bars

Order No.	d ₁ tol. h6	l ₁	Tolerance μ tol. h6
L1773.08-4950	8	4950	+0,-9
L1773.08-5000	8	5000	+0,-9
L1773.08-5050	8	-	+0,-9
L1773.08-5100	8	5100	+0,-9
L1773.08-5150	8	5150	+0,-9
L1773.08-5200	8	5200	+0,-9
L1773.08-5250	8	5250	+0,-9
L1773.08-5300	8	5300	+0,-9
L1773.08-5350	8	5350	+0,-9
L1773.08-5400	8	5400	+0,-9
L1773.08-5450	8	5450	+0,-9
L1773.08-5500	8	5500	+0,-9
L1773.08-5550	8	5550	+0,-9
L1773.08-5600	8	5600	+0,-9
L1773.08-5650	8	5650	+0,-9
L1773.08-5700	8	5700	+0,-9
L1773.08-5750	8	5750	+0,-9
L1773.08-5800	8	5800	+0,-9
L1773.08-5850	8	5850	+0,-9
L1773.08-5900	8	5900	+0,-9
L1773.08-5950	8	5950	+0,-9
L1773.08-6000	8	6000	+0,-9

LINEAR SHAFT BARS



L1773.10



Material

Stainless steel AISI 303 (1.4305, X10CrNiS18-19), surface finish 0.3-0.6µ Ra, ground and polished to 8-12 cla. Yield stress: >510 N/mm², tensile strength: >720 N/mm².

Technical Notes

Tolerance, h6 standard, other tolerances

on request.
Straightness 0,2mm/m.

Tips

Modifications, drilled and tapped holes, circlip grooves, special coatings etc. available.

Shafts lengths are cut to typically ± 2mm.
To be used with ceramic or other bearings

not containing hardened ball bearings.

Order No.	d ₁ tol. h6	l ₁	Tolerance µ tol. h6
L1773.10-0100	10	100	+0,-10
L1773.10-0150	10	150	+0,-10
L1773.10-0200	10	200	+0,-10
L1773.10-0250	10	250	+0,-10
L1773.10-0300	10	300	+0,-10
L1773.10-0350	10	350	+0,-10
L1773.10-0400	10	400	+0,-10
L1773.10-0450	10	450	+0,-10
L1773.10-0500	10	500	+0,-10
L1773.10-0550	10	550	+0,-10
L1773.10-0600	10	600	+0,-10
L1773.10-0650	10	650	+0,-10
L1773.10-0700	10	700	+0,-10
L1773.10-0750	10	750	+0,-10
L1773.10-0800	10	800	+0,-10
L1773.10-0850	10	852	+0,-10
L1773.10-0900	10	900	+0,-10
L1773.10-0950	10	950	+0,-10
L1773.10-1000	10	1000	+0,-10
L1773.10-1050	10	1050	+0,-10
L1773.10-1100	10	1100	+0,-10
L1773.10-1150	10	1150	+0,-10
L1773.10-1200	10	1200	+0,-10
L1773.10-1250	10	1250	+0,-10
L1773.10-1300	10	1300	+0,-10
L1773.10-1350	10	1350	+0,-10
L1773.10-1400	10	1400	+0,-10
L1773.10-1450	10	1450	+0,-10
L1773.10-1500	10	1500	+0,-10



10Ø Stainless AISI 303 Shafts

soft

Linear Shaft Bars

Order No.	d ₁ tol. h6	l ₁	Tolerance μ tol. h6
L1773.10-1550	10	1550	+0,-10
L1773.10-1600	10	1600	+0,-10
L1773.10-1650	10	1650	+0,-10
L1773.10-1700	10	1700	+0,-10
L1773.10-1750	10	1750	+0,-10
L1773.10-1800	10	1800	+0,-10
L1773.10-1850	10	1850	+0,-10
L1773.10-1900	10	1900	+0,-10
L1773.10-1950	10	1950	+0,-10
L1773.10-2000	10	2000	+0,-10
L1773.10-2050	10	2050	+0,-10
L1773.10-2100	10	2100	+0,-10
L1773.10-2150	10	2150	+0,-10
L1773.10-2200	10	2200	+0,-10
L1773.10-2250	10	2250	+0,-10
L1773.10-2300	10	2300	+0,-10
L1773.10-2350	10	2350	+0,-10
L1773.10-2400	10	2400	+0,-10
L1773.10-2450	10	2450	+0,-10
L1773.10-2500	10	2500	+0,-10
L1773.10-2550	10	2550	+0,-10
L1773.10-2600	10	2600	+0,-10
L1773.10-2650	10	2650	+0,-10
L1773.10-2700	10	2700	+0,-10
L1773.10-2750	10	2750	+0,-10
L1773.10-2800	10	2800	+0,-10
L1773.10-2850	10	2850	+0,-10
L1773.10-2900	10	2900	+0,-10
L1773.10-2950	10	2950	+0,-10
L1773.10-3000	10	3000	+0,-10
L1773.10-3050	10	3050	+0,-10
L1773.10-3100	10	3100	+0,-10
L1773.10-3150	10	3150	+0,-10
L1773.10-3200	10	3200	+0,-10
L1773.10-3250	10	3250	+0,-10
L1773.10-3300	10	3300	+0,-10
L1773.10-3350	10	3350	+0,-10
L1773.10-3400	10	3400	+0,-10
L1773.10-3450	10	3450	+0,-10
L1773.10-3500	10	3500	+0,-10
L1773.10-3550	10	3550	+0,-10
L1773.10-3600	10	3600	+0,-10
L1773.10-3650	10	3650	+0,-10
L1773.10-3700	10	3700	+0,-10
L1773.10-3750	10	3750	+0,-10
L1773.10-3800	10	3800	+0,-10
L1773.10-3850	10	3850	+0,-10
L1773.10-3900	10	3900	+0,-10
L1773.10-3950	10	3950	+0,-10
L1773.10-4000	10	4000	+0,-10
L1773.10-4050	10	4050	+0,-10
L1773.10-4100	10	4100	+0,-10
L1773.10-4150	10	4150	+0,-10
L1773.10-4200	10	4200	+0,-10
L1773.10-4250	10	4250	+0,-10
L1773.10-4300	10	4300	+0,-10
L1773.10-4350	10	4350	+0,-10
L1773.10-4400	10	4400	+0,-10
L1773.10-4450	10	4450	+0,-10
L1773.10-4500	10	4500	+0,-10
L1773.10-4550	10	4550	+0,-10
L1773.10-4600	10	4600	+0,-10
L1773.10-4650	10	4650	+0,-10
L1773.10-4700	10	4700	+0,-10
L1773.10-4750	10	4750	+0,-10
L1773.10-4800	10	4800	+0,-10
L1773.10-4850	10	4850	+0,-10
L1773.10-4900	10	4900	+0,-10

LINEAR SHAFT BARS



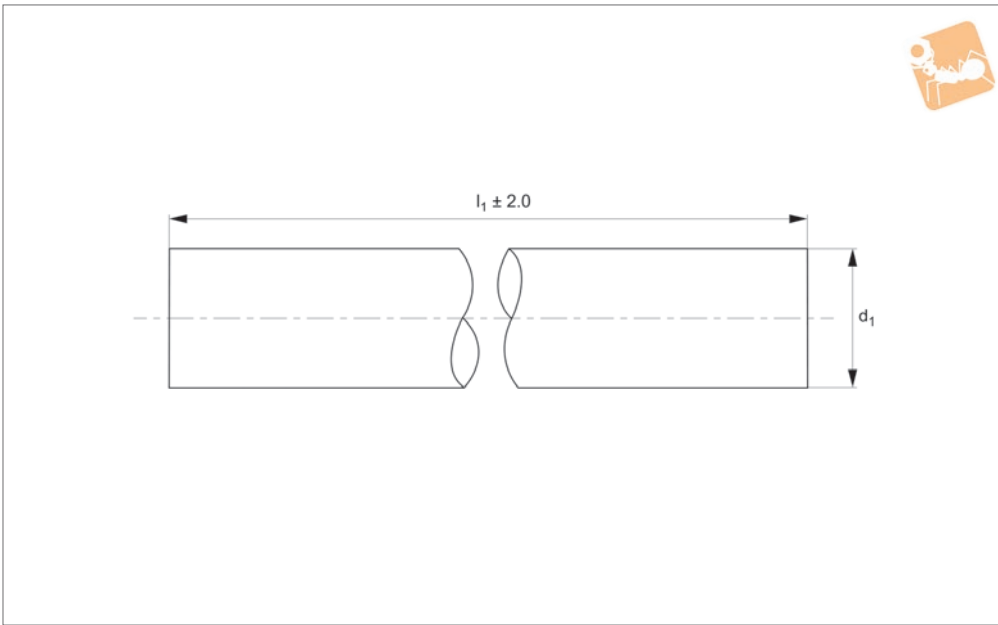
Order No.	d ₁ tol. h6	l ₁	Tolerance μ tol. h6
L1773.10-4950	10	4950	+0,-10
L1773.10-5000	10	5000	+0,-10
L1773.10-5050	10	5050	+0,-10
L1773.10-5100	10	5100	+0,-10
L1773.10-5150	10	5150	+0,-10
L1773.10-5200	10	5200	+0,-10
L1773.10-5250	10	5250	+0,-10
L1773.10-5300	10	5300	+0,-10
L1773.10-5350	10	5350	+0,-10
L1773.10-5400	10	5400	+0,-10
L1773.10-5450	10	5450	+0,-10
L1773.10-5500	10	5500	+0,-10
L1773.10-5550	10	5550	+0,-10
L1773.10-5600	10	5600	+0,-10
L1773.10-5650	10	5650	+0,-10
L1773.10-5700	10	5700	+0,-10
L1773.10-5750	10	5750	+0,-10
L1773.10-5800	10	5800	+0,-10
L1773.10-5850	10	5850	+0,-10
L1773.10-5900	10	5900	+0,-10
L1773.10-5950	10	5950	+0,-10
L1773.10-6000	10	6000	+0,-10



Ø12 Stainless AISI 303 Shafts

soft

Linear Shaft Bars



L1773.12

LINEAR SHAFT BARS

Material

Stainless steel AISI 303 (1.4305, X10CrNiS18-19), surface finish 0.3-0.6µ Ra, ground and polished to 8-12 cla. Yield stress: >510 N/mm², tensile strength: >720 N/mm².

Technical Notes

Tolerance, h6 standard, other tolerances

on request.
Straightness 0,2mm/m.

Tips

Modifications, drilled and tapped holes, circlip grooves, special coatings etc. available.

Shafts lengths are cut to typically ± 2mm.
To be used with ceramic or other bearings

not containing hardened ball bearings.

Order No.	d ₁ tol. h6	l ₁	Tolerance µ tol. h6
L1773.12-0100	12	100	0.6
L1773.12-0150	12	150	0.6
L1773.12-0200	12	200	0.6
L1773.12-0250	12	250	0.6
L1773.12-0300	12	300	0.6
L1773.12-0350	12	350	0.6
L1773.12-0400	12	400	0.6
L1773.12-0450	12	450	0.6
L1773.12-0500	12	500	0.6
L1773.12-0550	12	550	0.6
L1773.12-0600	12	600	0.6
L1773.12-0650	12	650	0.6
L1773.12-0700	12	700	0.6
L1773.12-0750	12	750	0.6
L1773.12-0800	12	800	0.6
L1773.12-0850	12	850	0.6
L1773.12-0900	12	900	0.6
L1773.12-0950	12	950	0.6
L1773.12-1000	12	1000	0.6
L1773.12-1050	12	1050	0.6
L1773.12-1100	12	1100	0.6
L1773.12-1150	12	1150	0.6
L1773.12-1200	12	1200	0.6
L1773.12-1250	12	1250	0.6
L1773.12-1300	12	1300	0.6
L1773.12-1350	12	1350	0.6
L1773.12-1400	12	1400	0.6
L1773.12-1450	12	1450	0.6
L1773.12-1500	12	1500	0.6



Order No.	d ₁ tol. h6	l ₁	Tolerance μ tol. h6
L1773.12-1550	12	1550	0.6
L1773.12-1600	12	1600	0.6
L1773.12-1650	12	1650	0.6
L1773.12-1700	12	1700	0.6
L1773.12-1750	12	1750	0.6
L1773.12-1800	12	1800	0.6
L1773.12-1850	12	1850	0.6
L1773.12-1900	12	1900	0.6
L1773.12-1950	12	1950	0.6
L1773.12-2000	12	2000	0.6
L1773.12-2050	12	2050	0.6
L1773.12-2100	12	2100	0.6
L1773.12-2150	12	2150	0.6
L1773.12-2200	12	2200	0.6
L1773.12-2250	12	2250	0.6
L1773.12-2300	12	2300	0.6
L1773.12-2350	12	2350	0.6
L1773.12-2400	12	2400	0.6
L1773.12-2450	12	2450	0.6
L1773.12-2500	12	2500	0.6
L1773.12-2550	12	2550	0.6
L1773.12-2600	12	2600	0.6
L1773.12-2650	12	2650	0.6
L1773.12-2700	12	2700	0.6
L1773.12-2750	12	2750	0.6
L1773.12-2800	12	2800	0.6
L1773.12-2850	12	2850	0.6
L1773.12-2900	12	2900	0.6
L1773.12-2950	12	2950	0.6
L1773.12-3000	12	3000	0.6
L1773.12-3050	12	3050	0.6
L1773.12-3100	12	3100	0.6
L1773.12-3150	12	3150	0.6
L1773.12-3200	12	3200	0.6
L1773.12-3250	12	3250	0.6
L1773.12-3300	12	3300	0.6
L1773.12-3350	12	3350	0.6
L1773.12-3400	12	3400	0.6
L1773.12-3450	12	3450	0.6
L1773.12-3500	12	3500	0.6
L1773.12-3550	12	3550	0.6
L1773.12-3600	12	3600	0.6
L1773.12-3650	12	3650	0.6
L1773.12-3700	12	3700	0.6
L1773.12-3750	12	3750	0.6
L1773.12-3800	12	3800	0.6
L1773.12-3850	12	3850	0.6
L1773.12-3900	12	3900	0.6
L1773.12-3950	12	3950	0.6
L1773.12-4000	12	4000	0.6
L1773.12-4050	12	4050	0.6
L1773.12-4100	12	4100	0.6
L1773.12-4150	12	4150	0.6
L1773.12-4200	12	4200	0.6
L1773.12-4250	12	4250	0.6
L1773.12-4300	12	4300	0.6
L1773.12-4350	12	4350	0.6
L1773.12-4400	12	4400	0.6
L1773.12-4450	12	4450	0.6
L1773.12-4500	12	4500	0.6
L1773.12-4550	12	4550	0.6
L1773.12-4600	12	4600	0.6
L1773.12-4650	12	4650	0.6
L1773.12-4700	12	4700	0.6
L1773.12-4750	12	4750	0.6
L1773.12-4800	12	4800	0.6
L1773.12-4850	12	4850	0.6
L1773.12-4900	12	4900	0.6



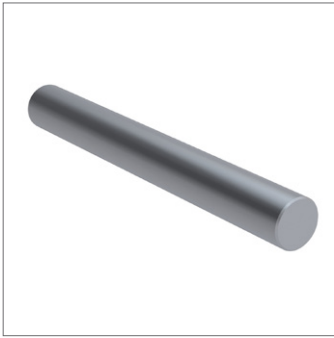
Ø12 Stainless AISI 303 Shafts

soft

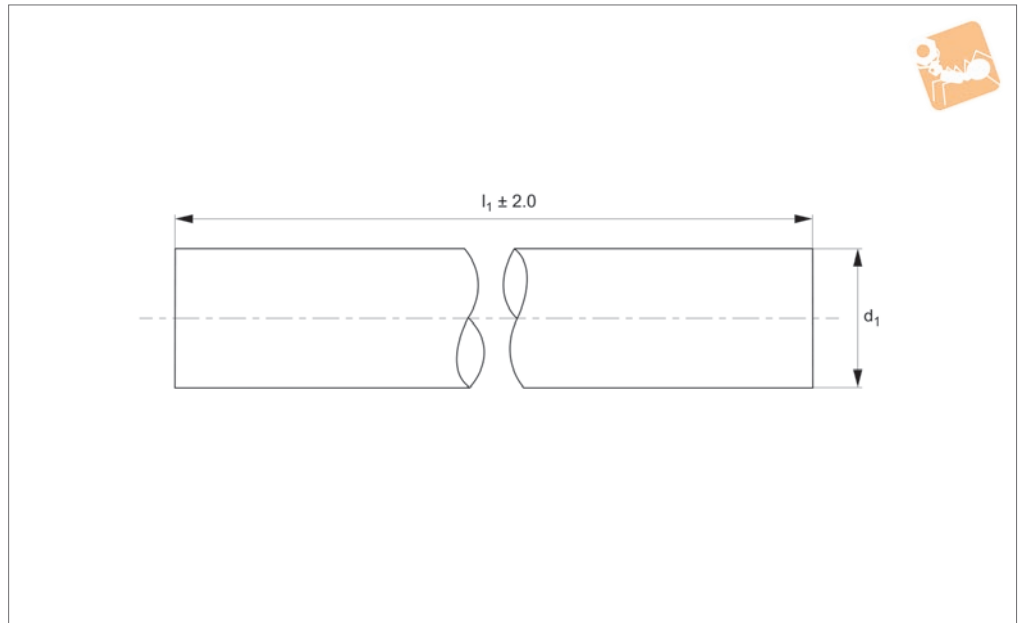
Linear Shaft Bars

Order No.	d ₁ tol. h6	l ₁	Tolerance μ tol. h6
L1773.12-4950	12	4950	0.6
L1773.12-5000	12	5000	0.6
L1773.12-5050	12	5050	0.6
L1773.12-5100	12	5100	0.6
L1773.12-5150	12	5150	0.6
L1773.12-5200	12	5200	0.6
L1773.12-5250	12	5250	0.6
L1773.12-5300	12	5300	0.6
L1773.12-5350	12	5350	0.6
L1773.12-5400	12	5400	0.6
L1773.12-5450	12	5450	0.6
L1773.12-5500	12	5500	0.6
L1773.12-5550	12	5550	0.6
L1773.12-5600	12	5600	0.6
L1773.12-5650	12	5650	0.6
L1773.12-5700	12	5700	0.6
L1773.12-5750	12	5750	0.6
L1773.12-5800	12	5800	0.6
L1773.12-5850	12	5850	0.6
L1773.12-5900	12	5900	0.6
L1773.12-5950	12	5950	0.6
L1773.12-6000	12	6000	0.6

LINEAR SHAFT BARS



L1773.16



Material

Stainless steel AISI 303 (1.4305, X10CrNiS18-19), surface finish 0.3-0.6µ Ra, ground and polished to 8-12 cla. Yield stress: >510 N/mm², tensile strength: >720 N/mm².

Technical Notes

Tolerance, h6 standard, other tolerances

on request.
Straightness 0,2mm/m.

Tips

Modifications, drilled and tapped holes, circlip grooves, special coatings etc. available.

Shafts lengths are cut to typically ± 2mm.
To be used with ceramic or other bearings

not containing hardened ball bearings.

Order No.	d ₁ tol. h6	l ₁	Tolerance µ tol. h6
L1773.16-0100	16	100	0.6
L1773.16-0150	16	150	0.6
L1773.16-0200	16	200	0.6
L1773.16-0250	16	250	0.6
L1773.16-0300	16	300	0.6
L1773.16-0350	16	350	0.6
L1773.16-0400	16	400	0.6
L1773.16-0450	16	450	0.6
L1773.16-0500	16	500	0.6
L1773.16-0550	16	550	0.6
L1773.16-0600	16	600	0.6
L1773.16-0650	16	650	0.6
L1773.16-0700	16	700	0.6
L1773.16-0750	16	750	0.6
L1773.16-0800	16	800	0.6
L1773.16-0850	16	850	0.6
L1773.16-0900	16	900	0.6
L1773.16-0950	16	950	0.6
L1773.16-1000	16	1000	0.6
L1773.16-1050	16	1050	0.6
L1773.16-1100	16	1100	0.6
L1773.16-1150	16	1150	0.6
L1773.16-1200	16	1200	0.6
L1773.16-1250	16	1250	0.6
L1773.16-1300	16	1300	0.6
L1773.16-1350	16	1350	0.6
L1773.16-1400	16	1400	0.6
L1773.16-1450	16	1450	0.6
L1773.16-1500	16	1500	0.6



Ø16 Stainless AISI 303 Shafts

soft

Linear Shaft
Bars

Order No.	d ₁ tol. h6	l ₁	Tolerance μ tol. h6
L1773.16-1550	16	1550	0.6
L1773.16-1600	16	1600	0.6
L1773.16-1650	16	1650	0.6
L1773.16-1700	16	1700	0.6
L1773.16-1750	16	1750	0.6
L1773.16-1800	16	1800	0.6
L1773.16-1850	16	1850	0.6
L1773.16-1900	16	1900	0.6
L1773.16-1950	16	1950	0.6
L1773.16-2000	16	2000	0.6
L1773.16-2050	16	2050	0.6
L1773.16-2100	16	2100	0.6
L1773.16-2150	16	2150	0.6
L1773.16-2200	16	2200	0.6
L1773.16-2250	16	2250	0.6
L1773.16-2300	16	2300	0.6
L1773.16-2350	16	2350	0.6
L1773.16-2400	16	2400	0.6
L1773.16-2450	16	2450	0.6
L1773.16-2500	16	2500	0.6
L1773.16-2550	16	2550	0.6
L1773.16-2600	16	2600	0.6
L1773.16-2650	16	2650	0.6
L1773.16-2700	16	2700	0.6
L1773.16-2750	16	2750	0.6
L1773.16-2800	16	2800	0.6
L1773.16-2850	16	2850	0.6
L1773.16-2900	16	2900	0.6
L1773.16-2950	16	2950	0.6
L1773.16-3000	16	3000	0.6
L1773.16-3050	16	3050	0.6
L1773.16-3100	16	3100	0.6
L1773.16-3150	16	3150	0.6
L1773.16-3200	16	3200	0.6
L1773.16-3250	16	3250	0.6
L1773.16-3300	16	3300	0.6
L1773.16-3350	16	3350	0.6
L1773.16-3400	16	3400	0.6
L1773.16-3450	16	3450	0.6
L1773.16-3500	16	3500	0.6
L1773.16-3550	16	3550	0.6
L1773.16-3600	16	3600	0.6
L1773.16-3650	16	3650	0.6
L1773.16-3700	16	3700	0.6
L1773.16-3750	16	3750	0.6
L1773.16-3800	16	3800	0.6
L1773.16-3850	16	3850	0.6
L1773.16-3900	16	3900	0.6
L1773.16-3950	16	3950	0.6
L1773.16-4000	16	4000	0.6
L1773.16-4050	16	4050	0.6
L1773.16-4100	16	4100	0.6
L1773.16-4150	16	4150	0.6
L1773.16-4200	16	4200	0.6
L1773.16-4250	16	4250	0.6
L1773.16-4300	16	4300	0.6
L1773.16-4350	16	4350	0.6
L1773.16-4400	16	4400	0.6
L1773.16-4450	16	4450	0.6
L1773.16-4500	16	4500	0.6
L1773.16-4550	16	4550	0.6
L1773.16-4600	16	4600	0.6
L1773.16-4650	16	4650	0.6
L1773.16-4700	16	4700	0.6
L1773.16-4750	16	4750	0.6
L1773.16-4800	16	4800	0.6
L1773.16-4850	16	4850	0.6
L1773.16-4900	16	4900	0.6

LINEAR SHAFT BARS



Order No.	d ₁ tol. h6	l ₁	Tolerance μ tol. h6
L1773.16-4950	16	4950	0.6
L1773.16-5000	16	5000	0.6
L1773.16-5050	16	5050	0.6
L1773.16-5100	16	5100	0.6
L1773.16-5150	16	5150	0.6
L1773.16-5200	16	5200	0.6
L1773.16-5250	16	5250	0.6
L1773.16-5300	16	5300	0.6
L1773.16-5350	16	5350	0.6
L1773.16-5400	16	5400	0.6
L1773.16-5450	16	5450	0.6
L1773.16-5500	16	5500	0.6
L1773.16-5550	16	5550	0.6
L1773.16-5600	16	5600	0.6
L1773.16-5650	16	5650	0.6
L1773.16-5700	16	5700	0.6
L1773.16-5750	16	5750	0.6
L1773.16-5800	16	5800	0.6
L1773.16-5850	16	5850	0.6
L1773.16-5900	16	5900	0.6
L1773.16-5950	16	5950	0.6
L1773.16-6000	16	6000	0.6



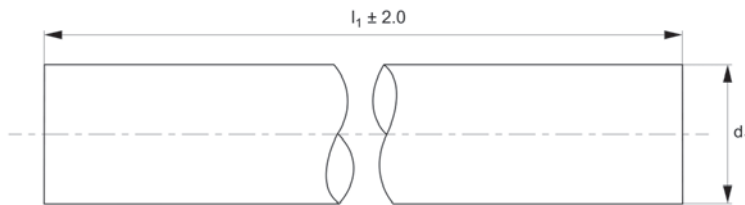
Ø20 Stainless AISI 303 Shafts

soft

Linear Shaft Bars



L1773.20



LINEAR SHAFT BARS

Material

Stainless steel AISI 303 (1.4305, X10CrNiS18-19), surface finish 0.3-0.6 μ Ra, ground and polished to 8-12 cla. Yield stress: >510 N/mm², tensile strength: >720 N/mm².

Technical Notes

Tolerance, h6 standard, other tolerances

on request.
Straightness 0,2mm/m.

Tips

Modifications, drilled and tapped holes, circlip grooves, special coatings etc. available.

Shafts lengths are cut to typically ± 2 mm.
To be used with ceramic or other bearings

not containing hardened ball bearings.

Order No.	d_1 tol. h6	l_1	Tolerance μ tol. h6
L1773.20-0100	20	100	+0,-13
L1773.20-0150	20	150	+0,-13
L1773.20-0200	20	200	+0,-13
L1773.20-0250	20	250	+0,-13
L1773.20-0300	20	300	+0,-13
L1773.20-0350	20	350	+0,-13
L1773.20-0400	20	400	+0,-13
L1773.20-0450	20	450	+0,-13
L1773.20-0500	20	500	+0,-13
L1773.20-0550	20	550	+0,-13
L1773.20-0600	20	600	+0,-13
L1773.20-0650	20	650	+0,-13
L1773.20-0700	20	700	+0,-13
L1773.20-0750	20	750	+0,-13
L1773.20-0800	20	800	+0,-13
L1773.20-0850	20	850	+0,-13
L1773.20-0900	20	900	+0,-13
L1773.20-0950	20	950	+0,-13
L1773.20-1000	20	1000	+0,-13
L1773.20-1050	20	1050	+0,-13
L1773.20-1100	20	1100	+0,-13
L1773.20-1150	20	1150	+0,-13
L1773.20-1200	20	1200	+0,-13
L1773.20-1250	20	1250	+0,-13
L1773.20-1300	20	1300	+0,-13
L1773.20-1350	20	1350	+0,-13
L1773.20-1400	20	1400	+0,-13
L1773.20-1450	20	1450	+0,-13
L1773.20-1500	20	1500	+0,-13



Order No.	d ₁ tol. h6	l ₁	Tolerance μ tol. h6
L1773.20-1550	20	1550	+0,-13
L1773.20-1600	20	1600	+0,-13
L1773.20-1650	20	1650	+0,-13
L1773.20-1700	20	1700	+0,-13
L1773.20-1750	20	1750	+0,-13
L1773.20-1800	20	1800	+0,-13
L1773.20-1850	20	1850	+0,-13
L1773.20-1900	20	1900	+0,-13
L1773.20-1950	20	1950	+0,-13
L1773.20-2000	20	2000	+0,-13
L1773.20-2050	20	2050	+0,-13
L1773.20-2100	20	2100	+0,-13
L1773.20-2150	20	2150	+0,-13
L1773.20-2200	20	2200	+0,-13
L1773.20-2250	20	2250	+0,-13
L1773.20-2300	20	2300	+0,-13
L1773.20-2350	20	2350	+0,-13
L1773.20-2400	20	2400	+0,-13
L1773.20-2450	20	2450	+0,-13
L1773.20-2500	20	2500	+0,-13
L1773.20-2550	20	2550	+0,-13
L1773.20-2600	20	2600	+0,-13
L1773.20-2650	20	2650	+0,-13
L1773.20-2700	20	2700	+0,-13
L1773.20-2750	20	2750	+0,-13
L1773.20-2800	20	2800	+0,-13
L1773.20-2850	20	2850	+0,-13
L1773.20-2900	20	2900	+0,-13
L1773.20-2950	20	2950	+0,-13
L1773.20-3000	20	3000	+0,-13
L1773.20-3050	20	3050	+0,-13
L1773.20-3100	20	3100	+0,-13
L1773.20-3150	20	3150	+0,-13
L1773.20-3200	20	3200	+0,-13
L1773.20-3250	20	3250	+0,-13
L1773.20-3300	20	3300	+0,-13
L1773.20-3350	20	3350	+0,-13
L1773.20-3400	20	3400	+0,-13
L1773.20-3450	20	3450	+0,-13
L1773.20-3500	20	3500	+0,-13
L1773.20-3550	20	3550	+0,-13
L1773.20-3600	20	3600	+0,-13
L1773.20-3650	20	3650	+0,-13
L1773.20-3700	20	3700	+0,-13
L1773.20-3750	20	3750	+0,-13
L1773.20-3800	20	3800	+0,-13
L1773.20-3850	20	3850	+0,-13
L1773.20-3900	20	3900	+0,-13
L1773.20-3950	20	3950	+0,-13
L1773.20-4000	20	4000	+0,-13
L1773.20-4050	20	4050	+0,-13
L1773.20-4100	20	4100	+0,-13
L1773.20-4150	20	4150	+0,-13
L1773.20-4200	20	4200	+0,-13
L1773.20-4250	20	4250	+0,-13
L1773.20-4300	20	4300	+0,-13
L1773.20-4350	20	4350	+0,-13
L1773.20-4400	20	4400	+0,-13
L1773.20-4450	20	4450	+0,-13
L1773.20-4500	20	4500	+0,-13
L1773.20-4550	20	4550	+0,-13
L1773.20-4600	20	4600	+0,-13
L1773.20-4650	20	4650	+0,-13
L1773.20-4700	20	4700	+0,-13
L1773.20-4750	20	4750	+0,-13
L1773.20-4800	20	4800	+0,-13
L1773.20-4850	20	4850	+0,-13
L1773.20-4900	20	4900	+0,-13



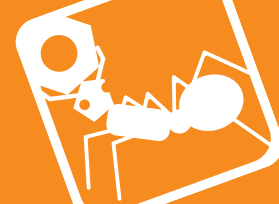
Ø20 Stainless AISI 303 Shafts

soft

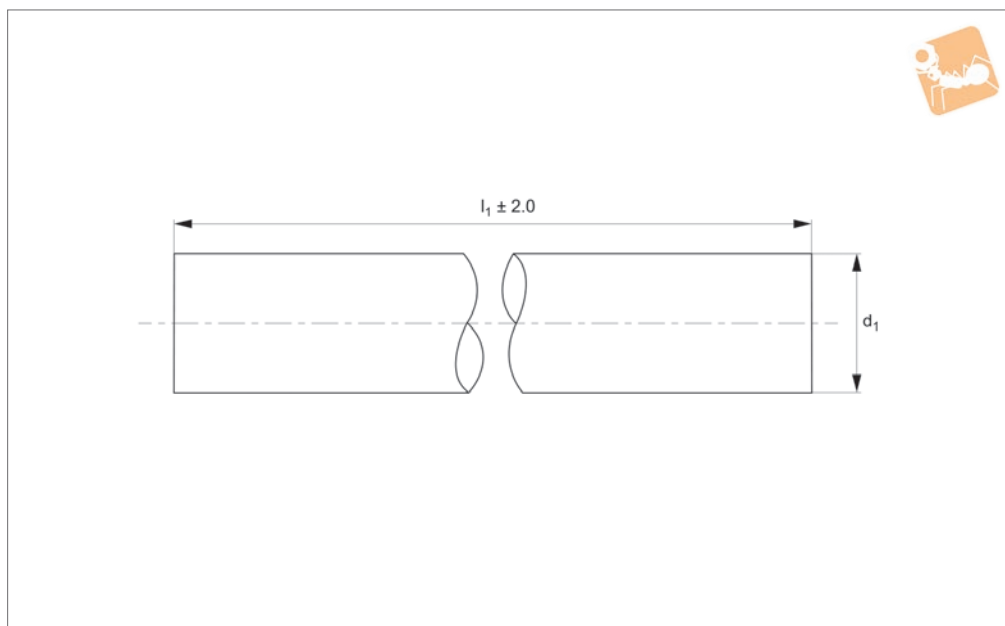
Linear Shaft Bars

Order No.	d ₁ tol. h6	l ₁	Tolerance μ tol. h6
L1773.20-4950	20	4950	+0,-13
L1773.20-5000	20	5000	+0,-13
L1773.20-5050	20	5050	+0,-13
L1773.20-5100	20	5100	+0,-13
L1773.20-5150	20	5150	+0,-13
L1773.20-5200	20	5200	+0,-13
L1773.20-5250	20	5250	+0,-13
L1773.20-5300	20	5300	+0,-13
L1773.20-5350	20	5350	+0,-13
L1773.20-5400	20	5400	+0,-13
L1773.20-5450	20	5450	+0,-13
L1773.20-5500	20	5500	+0,-13
L1773.20-5550	20	5550	+0,-13
L1773.20-5600	20	5600	+0,-13
L1773.20-5650	20	5650	+0,-13
L1773.20-5700	20	5700	+0,-13
L1773.20-5750	20	5750	+0,-13
L1773.20-5800	20	5800	+0,-13
L1773.20-5850	20	5850	+0,-13
L1773.20-5900	20	5900	+0,-13
L1773.20-5950	20	5950	+0,-13
L1773.20-6000	20	6000	+0,-13

LINEAR SHAFT BARS



L1773.25



Material

Stainless steel AISI 303 (1.4305, X10CrNiS18-19), surface finish 0.3-0.6µ Ra, ground and polished to 8-12 cla. Yield stress: >510 N/mm², tensile strength: >720 N/mm².

Technical Notes

Tolerance, h6 standard, other tolerances

on request.
Straightness 0,1mm/m.

Tips

Modifications, drilled and tapped holes, circlip grooves, special coatings etc. available.

Shafts lengths are cut to typically ± 2mm.
To be used with ceramic or other bearings

not containing hardened ball bearings.

Order No.	d ₁ tol. h6	l ₁	Tolerance µ tol. h6
L1773.25-0100	25	100	+0,-13
L1773.25-0150	25	150	+0,-13
L1773.25-0200	25	200	+0,-13
L1773.25-0250	25	250	+0,-13
L1773.25-0300	25	300	+0,-13
L1773.25-0350	25	350	+0,-13
L1773.25-0400	25	400	+0,-13
L1773.25-0450	25	450	+0,-13
L1773.25-0500	25	500	+0,-13
L1773.25-0550	25	550	+0,-13
L1773.25-0600	25	600	+0,-13
L1773.25-0650	25	650	+0,-13
L1773.25-0700	25	700	+0,-13
L1773.25-0750	25	750	+0,-13
L1773.25-0800	25	800	+0,-13
L1773.25-0850	25	850	+0,-13
L1773.25-0900	25	900	+0,-13
L1773.25-0950	25	950	+0,-13
L1773.25-1000	25	1000	+0,-13
L1773.25-1050	25	1050	+0,-13
L1773.25-1100	25	1100	+0,-13
L1773.25-1150	25	1150	+0,-13
L1773.25-1200	25	1200	+0,-13
L1773.25-1250	25	1250	+0,-13
L1773.25-1300	25	1300	+0,-13
L1773.25-1350	25	1350	+0,-13
L1773.25-1400	25	1400	+0,-13
L1773.25-1450	25	1450	+0,-13
L1773.25-1500	25	1500	+0,-13



25Ø Stainless AISI 303 Shafts

soft

Linear Shaft Bars

Order No.	d ₁ tol. h6	l ₁	Tolerance μ tol. h6
L1773.25-1550	25	1550	+0,-13
L1773.25-1600	25	1600	+0,-13
L1773.25-1650	25	1650	+0,-13
L1773.25-1700	25	1700	+0,-13
L1773.25-1750	25	1750	+0,-13
L1773.25-1800	25	1800	+0,-13
L1773.25-1850	25	1850	+0,-13
L1773.25-1900	25	1900	+0,-13
L1773.25-1950	25	1950	+0,-13
L1773.25-2000	25	2000	+0,-13
L1773.25-2050	25	2050	+0,-13
L1773.25-2100	25	2100	+0,-13
L1773.25-2150	25	2150	+0,-13
L1773.25-2200	25	2200	+0,-13
L1773.25-2250	25	2250	+0,-13
L1773.25-2300	25	2300	+0,-13
L1773.25-2350	25	2350	+0,-13
L1773.25-2400	25	2400	+0,-13
L1773.25-2450	25	2450	+0,-13
L1773.25-2500	25	2500	+0,-13
L1773.25-2550	25	2550	+0,-13
L1773.25-2600	25	2600	+0,-13
L1773.25-2650	25	2650	+0,-13
L1773.25-2700	25	2700	+0,-13
L1773.25-2750	25	2750	+0,-13
L1773.25-2800	25	2800	+0,-13
L1773.25-2850	25	2850	+0,-13
L1773.25-2900	25	2900	+0,-13
L1773.25-2950	25	2950	+0,-13
L1773.25-3000	25	3000	+0,-13
L1773.25-3050	25	3050	+0,-13
L1773.25-3100	25	3100	+0,-13
L1773.25-3150	25	3150	+0,-13
L1773.25-3200	25	3200	+0,-13
L1773.25-3250	25	3250	+0,-13
L1773.25-3300	25	3300	+0,-13
L1773.25-3350	25	3350	+0,-13
L1773.25-3400	25	3400	+0,-13
L1773.25-3450	25	3450	+0,-13
L1773.25-3500	25	3500	+0,-13
L1773.25-3550	25	3550	+0,-13
L1773.25-3600	25	3600	+0,-13
L1773.25-3650	25	3650	+0,-13
L1773.25-3700	25	3700	+0,-13
L1773.25-3750	25	3750	+0,-13
L1773.25-3800	25	3800	+0,-13
L1773.25-3850	25	3850	+0,-13
L1773.25-3900	25	3900	+0,-13
L1773.25-3950	25	3950	+0,-13
L1773.25-4000	25	4000	+0,-13
L1773.25-4050	25	4050	+0,-13
L1773.25-4100	25	4100	+0,-13
L1773.25-4150	25	4150	+0,-13
L1773.25-4200	25	4200	+0,-13
L1773.25-4250	25	4250	+0,-13
L1773.25-4300	25	4300	+0,-13
L1773.25-4350	25	4350	+0,-13
L1773.25-4400	25	4400	+0,-13
L1773.25-4450	25	4450	+0,-13
L1773.25-4500	25	4500	+0,-13
L1773.25-4550	25	4550	+0,-13
L1773.25-4600	25	4600	+0,-13
L1773.25-4650	25	4650	+0,-13
L1773.25-4700	25	4700	+0,-13
L1773.25-4750	25	4750	+0,-13
L1773.25-4800	25	4800	+0,-13
L1773.25-4850	25	4850	+0,-13
L1773.25-4900	25	4900	+0,-13

LINEAR SHAFT BARS



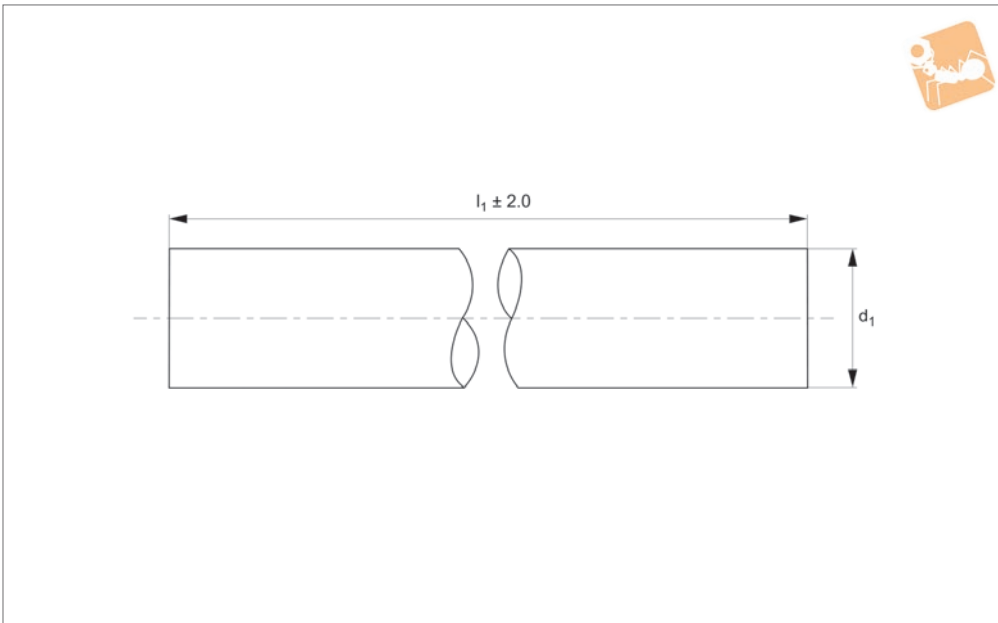
Order No.	d ₁ tol. h6	l ₁	Tolerance μ tol. h6
L1773.25-4950	25	4950	+0,-13
L1773.25-5000	25	5000	+0,-13
L1773.25-5050	25	5050	+0,-13
L1773.25-5100	25	5100	+0,-13
L1773.25-5150	25	5150	+0,-13
L1773.25-5200	25	5200	+0,-13
L1773.25-5250	25	5250	+0,-13
L1773.25-5300	25	5300	+0,-13
L1773.25-5350	25	5350	+0,-13
L1773.25-5400	25	5400	+0,-13
L1773.25-5450	25	5450	+0,-13
L1773.25-5500	25	5500	+0,-13
L1773.25-5550	25	5550	+0,-13
L1773.25-5600	25	5600	+0,-13
L1773.25-5650	25	5650	+0,-13
L1773.25-5700	25	5700	+0,-13
L1773.25-5750	25	5750	+0,-13
L1773.25-5800	25	5800	+0,-13
L1773.25-5850	25	5850	+0,-13
L1773.25-5900	25	5900	+0,-13
L1773.25-5950	25	5950	+0,-13
L1773.25-6000	25	6000	+0,-13



30Ø Stainless AISI 303 Shafts

soft

Linear Shaft Bars



L1773.30

LINEAR SHAFT BARS

Material

Stainless steel AISI 303 (1.4305, X10CrNiS18-19), surface finish 0.3-0.6µ Ra, ground and polished to 8-12 cla. Yield stress: >510 N/mm², tensile strength: >720 N/mm².

Technical Notes

Tolerance, h6 standard, other tolerances

on request.
Straightness 0,1mm/m.

Tips

Modifications, drilled and tapped holes, circlip grooves, special coatings etc. available.

Shafts lengths are cut to typically ± 2mm.
To be used with ceramic or other bearings

not containing hardened ball bearings.

Order No.	d ₁	l ₁	Tolerance µ tol. h6
L1773.30-0100	30	100	+0,-13
L1773.30-0150	30	150	+0,-13
L1773.30-0200	30	200	+0,-13
L1773.30-0250	30	250	+0,-13
L1773.30-0300	30	300	+0,-13
L1773.30-0350	30	350	+0,-13
L1773.30-0400	30	400	+0,-13
L1773.30-0450	30	450	+0,-13
L1773.30-0500	30	500	+0,-13
L1773.30-0550	30	550	+0,-13
L1773.30-0600	30	600	+0,-13
L1773.30-0650	30	650	+0,-13
L1773.30-0700	30	700	+0,-13
L1773.30-0750	30	750	+0,-13
L1773.30-0800	30	800	+0,-13
L1773.30-0850	30	850	+0,-13
L1773.30-0900	30	900	+0,-13
L1773.30-0950	30	950	+0,-13
L1773.30-1000	30	1000	+0,-13
L1773.30-1050	30	1050	+0,-13
L1773.30-1100	30	1100	+0,-13
L1773.30-1150	30	1150	+0,-13
L1773.30-1200	30	1200	+0,-13
L1773.30-1250	30	1250	+0,-13
L1773.30-1300	30	1300	+0,-13
L1773.30-1350	30	1350	+0,-13
L1773.30-1400	30	1400	+0,-13
L1773.30-1450	30	1450	+0,-13
L1773.30-1500	30	1500	+0,-13



Order No.	d ₁	l ₁	Tolerance μ tol. h6
L1773.30-1550	30	1550	+0,-13
L1773.30-1600	30	1600	+0,-13
L1773.30-1650	30	1650	+0,-13
L1773.30-1700	30	1700	+0,-13
L1773.30-1750	30	1750	+0,-13
L1773.30-1800	30	1800	+0,-13
L1773.30-1850	30	1850	+0,-13
L1773.30-1900	30	1900	+0,-13
L1773.30-1950	30	1950	+0,-13
L1773.30-2000	30	2000	+0,-13
L1773.30-2050	30	2050	+0,-13
L1773.30-2100	30	2100	+0,-13
L1773.30-2150	30	2150	+0,-13
L1773.30-2200	30	2200	+0,-13
L1773.30-2250	30	2250	+0,-13
L1773.30-2300	30	2300	+0,-13
L1773.30-2350	30	2350	+0,-13
L1773.30-2400	30	2400	+0,-13
L1773.30-2450	30	2450	+0,-13
L1773.30-2500	30	2500	+0,-13
L1773.30-2550	30	2550	+0,-13
L1773.30-2600	30	2600	+0,-13
L1773.30-2650	30	2650	+0,-13
L1773.30-2700	30	2700	+0,-13
L1773.30-2750	30	2750	+0,-13
L1773.30-2800	30	2800	+0,-13
L1773.30-2850	30	2850	+0,-13
L1773.30-2900	30	2900	+0,-13
L1773.30-2950	30	2950	+0,-13
L1773.30-3000	30	3000	+0,-13
L1773.30-3050	30	3050	+0,-13
L1773.30-3100	30	3100	+0,-13
L1773.30-3150	30	3150	+0,-13
L1773.30-3200	30	3200	+0,-13
L1773.30-3250	30	3250	+0,-13
L1773.30-3300	30	3300	+0,-13
L1773.30-3350	30	3350	+0,-13
L1773.30-3400	30	3400	+0,-13
L1773.30-3450	30	3450	+0,-13
L1773.30-3500	30	3500	+0,-13
L1773.30-3550	30	3550	+0,-13
L1773.30-3600	30	3600	+0,-13
L1773.30-3650	30	3650	+0,-13
L1773.30-3700	30	3700	+0,-13
L1773.30-3750	30	3750	+0,-13
L1773.30-3800	30	3800	+0,-13
L1773.30-3850	30	3850	+0,-13
L1773.30-3900	30	3900	+0,-13
L1773.30-3950	30	3950	+0,-13
L1773.30-4000	30	4000	+0,-13
L1773.30-4050	30	4050	+0,-13
L1773.30-4100	30	4100	+0,-13
L1773.30-4150	30	4150	+0,-13
L1773.30-4200	30	4200	+0,-13
L1773.30-4250	30	4250	+0,-13
L1773.30-4300	30	4300	+0,-13
L1773.30-4350	30	4350	+0,-13
L1773.30-4400	30	4400	+0,-13
L1773.30-4450	30	4450	+0,-13
L1773.30-4500	30	4500	+0,-13
L1773.30-4550	30	4550	+0,-13
L1773.30-4600	30	4600	+0,-13
L1773.30-4650	30	4650	+0,-13
L1773.30-4700	30	4700	+0,-13
L1773.30-4750	30	4750	+0,-13
L1773.30-4800	30	4800	+0,-13
L1773.30-4850	30	4850	+0,-13
L1773.30-4900	30	4900	+0,-13



30Ø Stainless AISI 303 Shafts

soft

Linear Shaft Bars

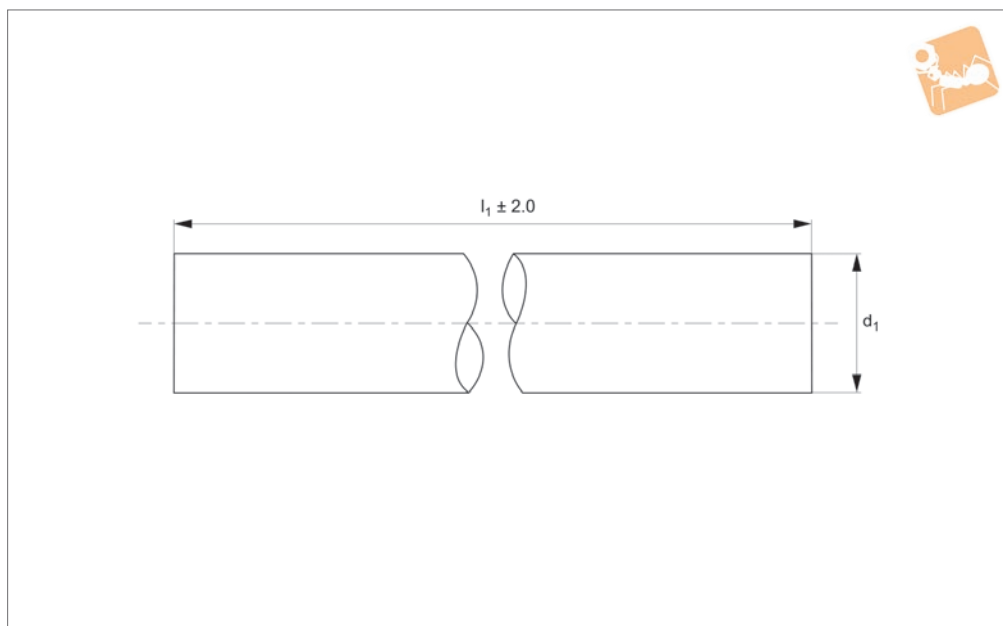


Order No.	d ₁	l ₁	Tolerance μ tol. h6
L1773.30-4950	30	4950	+0,-13
L1773.30-5000	30	5000	+0,-13
L1773.30-5050	30	5050	+0,-13
L1773.30-5100	30	5100	+0,-13
L1773.30-5150	30	5150	+0,-13
L1773.30-5200	30	5200	+0,-13
L1773.30-5250	30	5250	+0,-13
L1773.30-5300	30	5300	+0,-13
L1773.30-5350	30	5350	+0,-13
L1773.30-5400	30	5400	+0,-13
L1773.30-5450	30	5450	+0,-13
L1773.30-5500	30	5500	+0,-13
L1773.30-5550	30	5550	+0,-13
L1773.30-5600	30	5600	+0,-13
L1773.30-5650	30	5650	+0,-13
L1773.30-5700	30	5700	+0,-13
L1773.30-5750	30	5750	+0,-13
L1773.30-5800	30	5800	+0,-13
L1773.30-5850	30	5850	+0,-13
L1773.30-5900	30	5900	+0,-13
L1773.30-5950	30	5950	+0,-13
L1773.30-6000	30	6000	+0,-13

LINEAR SHAFT BARS



L1773.40



Material

Stainless steel AISI 303 (1.4305, X10CrNiS18-19), surface finish 0.3-0.6µ Ra, ground and polished to 8-12 cla. Yield stress: >510 N/mm², tensile strength: >720 N/mm².

Technical Notes

Tolerance, h6 standard, other tolerances

on request.
Straightness 0,1mm/m.

Tips

Modifications, drilled and tapped holes, circlip grooves, special coatings etc. available.

Shafts lengths are cut to typically ± 2mm.
To be used with ceramic or other bearings

not containing hardened ball bearings.

Order No.	d ₁ tol. h6	l ₁	Tolerance µ tol. h6
L1773.40-0100	40	100	+0,-16
L1773.40-0150	40	150	+0,-16
L1773.40-0200	40	200	+0,-16
L1773.40-0250	40	250	+0,-16
L1773.40-0300	40	300	+0,-16
L1773.40-0350	40	350	+0,-16
L1773.40-0400	40	400	+0,-16
L1773.40-0450	40	450	+0,-16
L1773.40-0500	40	500	+0,-16
L1773.40-0550	40	550	+0,-16
L1773.40-0600	40	600	+0,-16
L1773.40-0650	40	650	+0,-16
L1773.40-0700	40	700	+0,-16
L1773.40-0750	40	750	+0,-16
L1773.40-0800	40	800	+0,-16
L1773.40-0850	40	850	+0,-16
L1773.40-0900	40	900	+0,-16
L1773.40-0950	40	950	+0,-16
L1773.40-1000	40	1000	+0,-16
L1773.40-1050	40	1050	+0,-16
L1773.40-1100	40	1100	+0,-16
L1773.40-1150	40	1150	+0,-16
L1773.40-1200	40	1200	+0,-16
L1773.40-1250	40	1250	+0,-16
L1773.40-1300	40	1300	+0,-16
L1773.40-1350	40	1350	+0,-16
L1773.40-1400	40	1400	+0,-16
L1773.40-1450	40	1450	+0,-16
L1773.40-1500	40	1500	+0,-16



40Ø Stainless AISI 303 Shafts

soft

Linear Shaft Bars

Order No.	d ₁ tol. h6	l ₁	Tolerance μ tol. h6
L1773.40-1550	40	1550	+0,-16
L1773.40-1600	40	1600	+0,-16
L1773.40-1650	40	1650	+0,-16
L1773.40-1700	40	1700	+0,-16
L1773.40-1750	40	1750	+0,-16
L1773.40-1800	40	1800	+0,-16
L1773.40-1850	40	1850	+0,-16
L1773.40-1900	40	1900	+0,-16
L1773.40-1950	40	1950	+0,-16
L1773.40-2000	40	2000	+0,-16
L1773.40-2050	40	2050	+0,-16
L1773.40-2100	40	2100	+0,-16
L1773.40-2150	40	2150	+0,-16
L1773.40-2200	40	2200	+0,-16
L1773.40-2250	40	2250	+0,-16
L1773.40-2300	40	2300	+0,-16
L1773.40-2350	40	2350	+0,-16
L1773.40-2400	40	2400	+0,-16
L1773.40-2450	40	2450	+0,-16
L1773.40-2500	40	2500	+0,-16
L1773.40-2550	40	2550	+0,-16
L1773.40-2600	40	2600	+0,-16
L1773.40-2650	40	2650	+0,-16
L1773.40-2700	40	2700	+0,-16
L1773.40-2750	40	2750	+0,-16
L1773.40-2800	40	2800	+0,-16
L1773.40-2850	40	2850	+0,-16
L1773.40-2900	40	2900	+0,-16
L1773.40-2950	40	2950	+0,-16
L1773.40-3000	40	3000	+0,-16
L1773.40-3050	40	3050	+0,-16
L1773.40-3100	40	3100	+0,-16
L1773.40-3150	40	3150	+0,-16
L1773.40-3200	40	3200	+0,-16
L1773.40-3250	40	3250	+0,-16
L1773.40-3300	40	3300	+0,-16
L1773.40-3350	40	3350	+0,-16
L1773.40-3400	40	3400	+0,-16
L1773.40-3450	40	3450	+0,-16
L1773.40-3500	40	3500	+0,-16
L1773.40-3550	40	3550	+0,-16
L1773.40-3600	40	3600	+0,-16
L1773.40-3650	40	3650	+0,-16
L1773.40-3700	40	3700	+0,-16
L1773.40-3750	40	3750	+0,-16
L1773.40-3800	40	3800	+0,-16
L1773.40-3850	40	3850	+0,-16
L1773.40-3900	40	3900	+0,-16
L1773.40-3950	40	3950	+0,-16
L1773.40-4000	40	4000	+0,-16
L1773.40-4050	40	4050	+0,-16
L1773.40-4100	40	4100	+0,-16
L1773.40-4150	40	4150	+0,-16
L1773.40-4200	40	4200	+0,-16
L1773.40-4250	40	4250	+0,-16
L1773.40-4300	40	4300	+0,-16
L1773.40-4350	40	4350	+0,-16
L1773.40-4400	40	4400	+0,-16
L1773.40-4450	40	4450	+0,-16
L1773.40-4500	40	4500	+0,-16
L1773.40-4550	40	4550	+0,-16
L1773.40-4600	40	4600	+0,-16
L1773.40-4650	40	4650	+0,-16
L1773.40-4700	40	4700	+0,-16
L1773.40-4750	40	4750	+0,-16
L1773.40-4800	40	4800	+0,-16
L1773.40-4850	40	4850	+0,-16
L1773.40-4900	40	4900	+0,-16

LINEAR SHAFT BARS



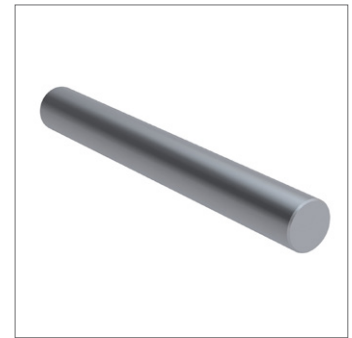
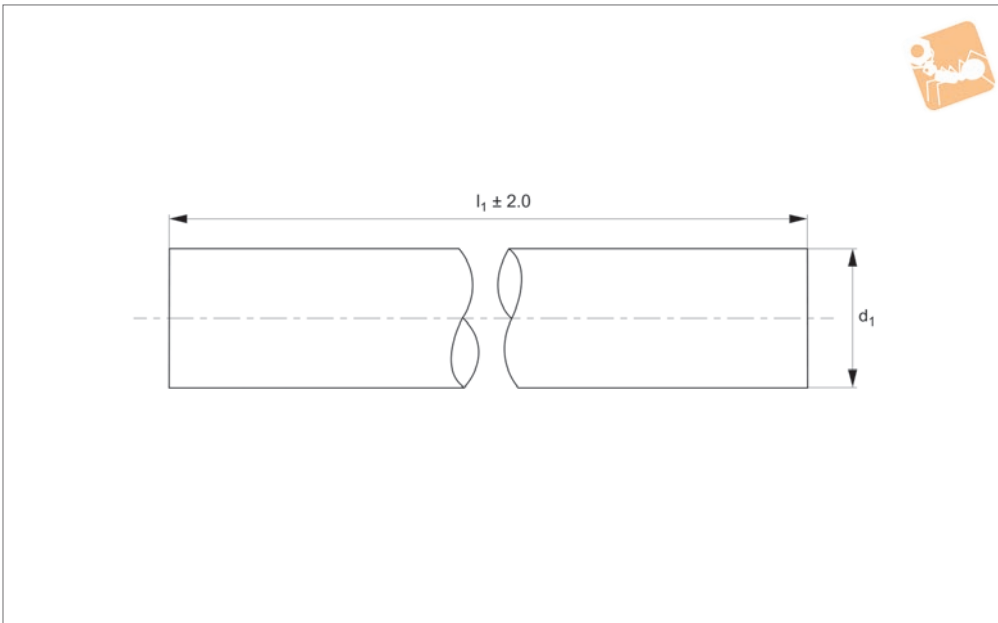
Order No.	d ₁ tol. h6	l ₁	Tolerance μ tol. h6
L1773.40-4950	40	4950	+0,-16
L1773.40-5000	40	5000	+0,-16
L1773.40-5050	40	5050	+0,-16
L1773.40-5100	40	5100	+0,-16
L1773.40-5150	40	5150	+0,-16
L1773.40-5200	40	5200	+0,-16
L1773.40-5250	40	5250	+0,-16
L1773.40-5300	40	5300	+0,-16
L1773.40-5350	40	5350	+0,-16
L1773.40-5400	40	5400	+0,-16
L1773.40-5450	40	5450	+0,-16
L1773.40-5500	40	5500	+0,-16
L1773.40-5550	40	5550	+0,-16
L1773.40-5600	40	5600	+0,-16
L1773.40-5650	40	5650	+0,-16
L1773.40-5700	40	5700	+0,-16
L1773.40-5750	40	5750	+0,-16
L1773.40-5800	40	5800	+0,-16
L1773.40-5850	40	5850	+0,-16
L1773.40-5900	40	5900	+0,-16
L1773.40-5950	40	5950	+0,-16
L1773.40-6000	40	6000	+0,-16



50Ø Stainless AISI 303 Shafts

soft

Linear Shaft
Bars



L1773.50

LINEAR SHAFT BARS

Material

Stainless steel AISI 303 (1.4305, X10CrNiS18-19), surface finish 0.3-0.6µ Ra, ground and polished to 8-12 cla. Yield stress: >510 N/mm², tensile strength: >720 N/mm².

Technical Notes

Tolerance, h6 standard, other tolerances

on request.
Straightness 0,1mm/m.

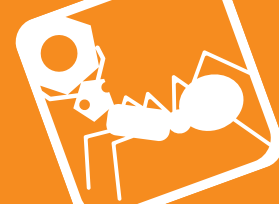
Tips

Modifications, drilled and tapped holes, circlip grooves, special coatings etc. available.

Shafts lengths are cut to typically ± 2mm.
To be used with ceramic or other bearings

not containing hardened ball bearings.

Order No.	d ₁ tol. h6	l ₁	Tolerance µ tol. h6
L1773.50-0100	50	100	+0,-16
L1773.50-0150	50	150	+0,-16
L1773.50-0200	50	200	+0,-16
L1773.50-0250	50	250	+0,-16
L1773.50-0300	50	300	+0,-16
L1773.50-0350	50	350	+0,-16
L1773.50-0400	50	400	+0,-16
L1773.50-0450	50	450	+0,-16
L1773.50-0500	50	500	+0,-16
L1773.50-0550	50	550	+0,-16
L1773.50-0600	50	600	+0,-16
L1773.50-0650	50	650	+0,-16
L1773.50-0700	50	700	+0,-16
L1773.50-0750	50	750	+0,-16
L1773.50-0800	50	800	+0,-16
L1773.50-0850	50	850	+0,-16
L1773.50-0900	50	900	+0,-16
L1773.50-1000	50	1000	+0,-16
L1773.50-1050	50	1050	+0,-16
L1773.50-1100	50	1100	+0,-16
L1773.50-1150	50	1150	+0,-16
L1773.50-1200	50	1200	+0,-16
L1773.50-1250	50	1250	+0,-16
L1773.50-1300	50	1300	+0,-16
L1773.50-1350	50	1350	+0,-16
L1773.50-1400	50	1400	+0,-16
L1773.50-1450	50	1450	+0,-16
L1773.50-1500	50	1500	+0,-16
L1773.50-1550	50	1550	+0,-16



Order No.	d ₁ tol. h6	l ₁	Tolerance μ tol. h6
L1773.50-1600	50	1600	+0,-16
L1773.50-1650	50	1650	+0,-16
L1773.50-1700	50	1700	+0,-16
L1773.50-1750	50	1750	+0,-16
L1773.50-1800	50	1800	+0,-16
L1773.50-1850	50	1850	+0,-16
L1773.50-1900	50	1900	+0,-16
L1773.50-1950	50	1950	+0,-16
L1773.50-2000	50	2000	+0,-16
L1773.50-2050	50	2050	+0,-16
L1773.50-2100	50	2100	+0,-16
L1773.50-2150	50	2150	+0,-16
L1773.50-2200	50	2200	+0,-16
L1773.50-2250	50	2250	+0,-16
L1773.50-2300	50	2300	+0,-16
L1773.50-2350	50	2350	+0,-16
L1773.50-2400	50	2400	+0,-16
L1773.50-2450	50	2450	+0,-16
L1773.50-2500	50	2500	+0,-16
L1773.50-2550	50	2550	+0,-16
L1773.50-2600	50	2600	+0,-16
L1773.50-2650	50	2650	+0,-16
L1773.50-2700	50	2700	+0,-16
L1773.50-2750	50	2750	+0,-16
L1773.50-2800	50	2800	+0,-16
L1773.50-2850	50	2850	+0,-16
L1773.50-2900	50	2900	+0,-16
L1773.50-2950	50	2950	+0,-16
L1773.50-3000	50	3000	+0,-16
L1773.50-3050	50	3050	+0,-16
L1773.50-3100	50	3100	+0,-16
L1773.50-3150	50	3150	+0,-16
L1773.50-3200	50	3200	+0,-16
L1773.50-3250	50	3250	+0,-16
L1773.50-3300	50	3300	+0,-16
L1773.50-3350	50	3350	+0,-16
L1773.50-3400	50	3400	+0,-16
L1773.50-3450	50	3450	+0,-16
L1773.50-3500	50	3500	+0,-16
L1773.50-3550	50	3550	+0,-16
L1773.50-3600	50	3600	+0,-16
L1773.50-3650	50	3650	+0,-16
L1773.50-3700	50	3700	+0,-16
L1773.50-3750	50	3750	+0,-16
L1773.50-3800	50	3800	+0,-16
L1773.50-3850	50	3850	+0,-16
L1773.50-3900	50	3900	+0,-16
L1773.50-3950	50	3950	+0,-16
L1773.50-4000	50	4000	+0,-16
L1773.50-4050	50	4050	+0,-16
L1773.50-4100	50	4100	+0,-16
L1773.50-4150	50	4150	+0,-16
L1773.50-4200	50	4200	+0,-16
L1773.50-4250	50	4250	+0,-16
L1773.50-4300	50	4300	+0,-16
L1773.50-4350	50	4350	+0,-16
L1773.50-4400	50	4400	+0,-16
L1773.50-4450	50	4450	+0,-16
L1773.50-4500	50	4500	+0,-16
L1773.50-4550	50	4550	+0,-16
L1773.50-4600	50	4600	+0,-16
L1773.50-4650	50	4650	+0,-16
L1773.50-4700	50	4700	+0,-16
L1773.50-4750	50	4750	+0,-16
L1773.50-4800	50	4800	+0,-16
L1773.50-4850	50	4850	+0,-16
L1773.50-4900	50	4900	+0,-16
L1773.50-4950	50	4950	+0,-16



50Ø Stainless AISI 303 Shafts

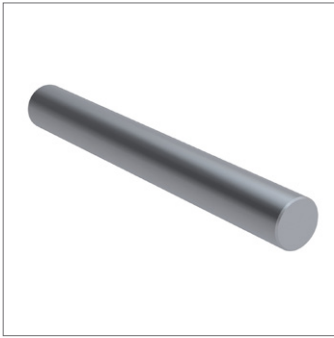
soft

Linear Shaft Bars

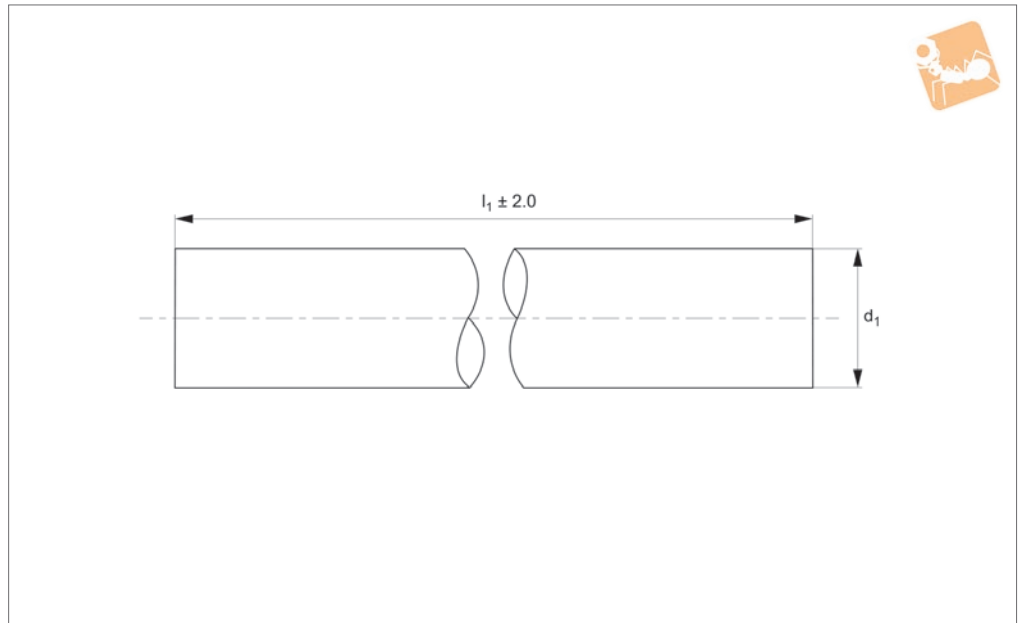


Order No.	d_1 tol. h6	l_1	Tolerance μ tol. h6
L1773.50-5000	50	5000	+0,-16
L1773.50-5050	50	5050	+0,-16
L1773.50-5100	50	5100	+0,-16
L1773.50-5150	50	5150	+0,-16
L1773.50-5200	50	5200	+0,-16
L1773.50-5250	50	5250	+0,-16
L1773.50-5300	50	5300	+0,-16
L1773.50-5350	50	5350	+0,-16
L1773.50-5400	50	5400	+0,-16
L1773.50-5450	50	5450	+0,-16
L1773.50-5500	50	5500	+0,-16
L1773.50-5550	50	5550	+0,-16
L1773.50-5600	50	5600	+0,-16
L1773.50-5650	50	5650	+0,-16
L1773.50-5700	50	5700	+0,-16
L1773.50-5750	50	5750	+0,-16
L1773.50-5800	50	5800	+0,-16
L1773.50-5850	50	5850	+0,-16
L1773.50-5900	50	5900	+0,-16
L1773.50-5950	50	5950	+0,-16
L1773.50-6000	50	6000	+0,-16

LINEAR SHAFT BARS



L1773.60



Material

Stainless steel AISI 303 (1.4305, X10CrNiS18-19), surface finish 0.3-0.6µ Ra, ground and polished to 8-12 cla. Yield stress: >510 N/mm², tensile strength: >720 N/mm².

Technical Notes

Tolerance, h6 standard, other tolerances

on request.
Straightness 0,1mm/m.

Tips

Modifications, drilled and tapped holes, circlip grooves, special coatings etc. available.

Shafts lengths are cut to typically ± 2mm.
To be used with ceramic or other bearings

not containing hardened ball bearings.

Order No.	d ₁ tol. h6	l ₁	Tolerance µ tol. h6
L1773.60-0100	60	100	+0,-19
L1773.60-0150	60	150	+0,-19
L1773.60-0200	60	200	+0,-19
L1773.60-0250	60	250	+0,-19
L1773.60-0300	60	300	+0,-19
L1773.60-0350	60	350	+0,-19
L1773.60-0400	60	400	+0,-19
L1773.60-0450	60	450	+0,-19
L1773.60-0500	60	500	+0,-19
L1773.60-0550	60	550	+0,-19
L1773.60-0600	60	600	+0,-19
L1773.60-0650	60	650	+0,-19
L1773.60-0700	60	700	+0,-19
L1773.60-0750	60	750	+0,-19
L1773.60-0800	60	800	+0,-19
L1773.60-0850	60	850	+0,-19
L1773.60-0900	60	900	+0,-19
L1773.60-0950	60	950	+0,-19
L1773.60-1000	60	1000	+0,-19
L1773.60-1050	60	1050	+0,-19
L1773.60-1100	60	1100	+0,-19
L1773.60-1150	60	1150	+0,-19
L1773.60-1200	60	1200	+0,-19
L1773.60-1250	60	1250	+0,-19
L1773.60-1300	60	1300	+0,-19
L1773.60-1350	60	1350	+0,-19
L1773.60-1400	60	1400	+0,-19
L1773.60-1450	60	1450	+0,-19
L1773.60-1500	60	1500	+0,-19



60Ø Stainless AISI 303 Shafts

soft

Linear Shaft Bars

Order No.	d ₁ tol. h6	l ₁	Tolerance μ tol. h6
L1773.60-1550	60	1550	+0,-19
L1773.60-1600	60	1600	+0,-19
L1773.60-1650	60	1650	+0,-19
L1773.60-1700	60	1700	+0,-19
L1773.60-1750	60	1750	+0,-19
L1773.60-1800	60	1800	+0,-19
L1773.60-1850	60	1850	+0,-19
L1773.60-1900	60	1900	+0,-19
L1773.60-1950	60	1950	+0,-19
L1773.60-2000	60	2000	+0,-19
L1773.60-2050	60	2050	+0,-19
L1773.60-2100	60	2100	+0,-19
L1773.60-2150	60	2150	+0,-19
L1773.60-2200	60	2200	+0,-19
L1773.60-2250	60	2250	+0,-19
L1773.60-2300	60	2300	+0,-19
L1773.60-2350	60	2350	+0,-19
L1773.60-2400	60	2400	+0,-19
L1773.60-2450	60	2450	+0,-19
L1773.60-2500	60	2500	+0,-19
L1773.60-2550	60	2550	+0,-19
L1773.60-2600	60	2600	+0,-19
L1773.60-2650	60	2650	+0,-19
L1773.60-2700	60	2700	+0,-19
L1773.60-2750	60	2750	+0,-19
L1773.60-2800	60	2800	+0,-19
L1773.60-2850	60	2850	+0,-19
L1773.60-2900	60	2900	+0,-19
L1773.60-2950	60	2950	+0,-19
L1773.60-3000	60	3000	+0,-19
L1773.60-3050	60	3050	+0,-19
L1773.60-3100	60	3100	+0,-19
L1773.60-3150	60	3150	+0,-19
L1773.60-3200	60	3200	+0,-19
L1773.60-3250	60	3250	+0,-19
L1773.60-3300	60	3300	+0,-19
L1773.60-3350	60	3350	+0,-19
L1773.60-3400	60	3400	+0,-19
L1773.60-3450	60	3450	+0,-19
L1773.60-3500	60	3500	+0,-19
L1773.60-3550	60	3550	+0,-19
L1773.60-3600	60	3600	+0,-19
L1773.60-3650	60	3650	+0,-19
L1773.60-3700	60	3700	+0,-19
L1773.60-3750	60	3750	+0,-19
L1773.60-3800	60	3800	+0,-19
L1773.60-3850	60	3850	+0,-19
L1773.60-3900	60	3900	+0,-19
L1773.60-3950	60	3950	+0,-19
L1773.60-4000	60	4000	+0,-19
L1773.60-4050	60	4050	+0,-19
L1773.60-4100	60	4100	+0,-19
L1773.60-4150	60	4150	+0,-19
L1773.60-4200	60	4200	+0,-19
L1773.60-4250	60	4250	+0,-19
L1773.60-4300	60	4300	+0,-19
L1773.60-4350	60	4350	+0,-19
L1773.60-4400	60	4400	+0,-19
L1773.60-4450	60	4450	+0,-19
L1773.60-4500	60	4500	+0,-19
L1773.60-4550	60	4550	+0,-19
L1773.60-4600	60	4600	+0,-19
L1773.60-4650	60	4650	+0,-19
L1773.60-4700	60	4700	+0,-19
L1773.60-4750	60	4750	+0,-19
L1773.60-4800	60	4800	+0,-19
L1773.60-4850	60	4850	+0,-19
L1773.60-4900	60	4900	+0,-19

LINEAR SHAFT BARS



Order No.	d ₁ tol. h6	l ₁	Tolerance μ tol. h6
L1773.60-4950	60	4950	+0,-19
L1773.60-5000	60	5000	+0,-19
L1773.60-5050	60	5050	+0,-19
L1773.60-5100	60	5100	+0,-19
L1773.60-5150	60	5150	+0,-19
L1773.60-5200	60	5200	+0,-19
L1773.60-5250	60	5250	+0,-19
L1773.60-5300	60	5300	+0,-19
L1773.60-5350	60	5350	+0,-19
L1773.60-5400	60	5400	+0,-19
L1773.60-5450	60	5450	+0,-19
L1773.60-5500	60	5500	+0,-19
L1773.60-5550	60	5550	+0,-19
L1773.60-5600	60	5600	+0,-19
L1773.60-5650	60	5650	+0,-19
L1773.60-5700	60	5700	+0,-19
L1773.60-5750	60	5750	+0,-19
L1773.60-5800	60	5800	+0,-19
L1773.60-5850	60	5850	+0,-19
L1773.60-5900	60	5900	+0,-19
L1773.60-5950	60	5950	+0,-19
L1773.60-6000	60	6000	+0,-19



Hardened steel linear shafting (L1770 – L1771)

Carbon steel to BS 070M55 hardened to 60-65 HRC. Carbon Steel B.S. 070M55 is a medium carbon steel which is used when greater strength and hardness is desired than in its as rolled condition. Extreme size accuracy, straightness and concentricity are combined to minimise wear in high speed applications. Suitable for use with all types of linear bushings.

Corrosion resistant steel (L1772)

440C is a high carbon chromium martensitic stainless steel, generally supplied in the annealed condition with a maximum hardness of 50-55 HR_C. Characterised by good corrosion resistance in mild domestic and industrial environments, including fresh water, organic materials, mild acids, various petroleum products, coupled with extreme high strength, hardness and wear resistance when in the hardened and tempered condition. Used for parts requiring a combination of excellent wear resistance, plus reasonable corrosion resistance. Typical applications are: ball bearings and races, bushings, cutlery, chisels, knife blades, pump parts, surgical instruments, valve seats etc. Material magnetic in all conditions. Suitable for use with all types of linear bushings.

Stainless steel AISI 303 (L1773)

303 is a free machining chromium-nickel austenitic stainless steel with good strength and good corrosion resistance, as supplied in the annealed condition. Characterised by excellent machinability and non galling properties due to its higher sulphur content, which has the effect of slightly lowering its corrosion resistance. It is however, fairly resistant to general atmospheric corrosion, general foodstuffs, sterilizing solutions, dyestuffs, most organic chemicals, plus some inorganic chemicals. But has very limited resistance to acids. 303 cannot be hardened by thermal treatment, but strength and hardness can be increased substantially by cold working, with subsequent reduction in ductility. It is used primarily for production runs involving extensive machining, or complex parts requiring excellent machinability. Typical uses are: architectural components, food processing equipment, dairy equipment, dyeing industry, hardware and kitchenware manufacturing and allied industries. Commonly used to manufacture bolts and nuts, bushes, gears, shafts, valve bodies and fittings etc. Material is non magnetic in the annealed condition, but can become mildly magnetic following heavy cold working. Annealing is required to rectify if necessary.

Not suitable for use with linear ball bushings, please use ceramic bearings.

Stainless steel AISI 303(L1774)

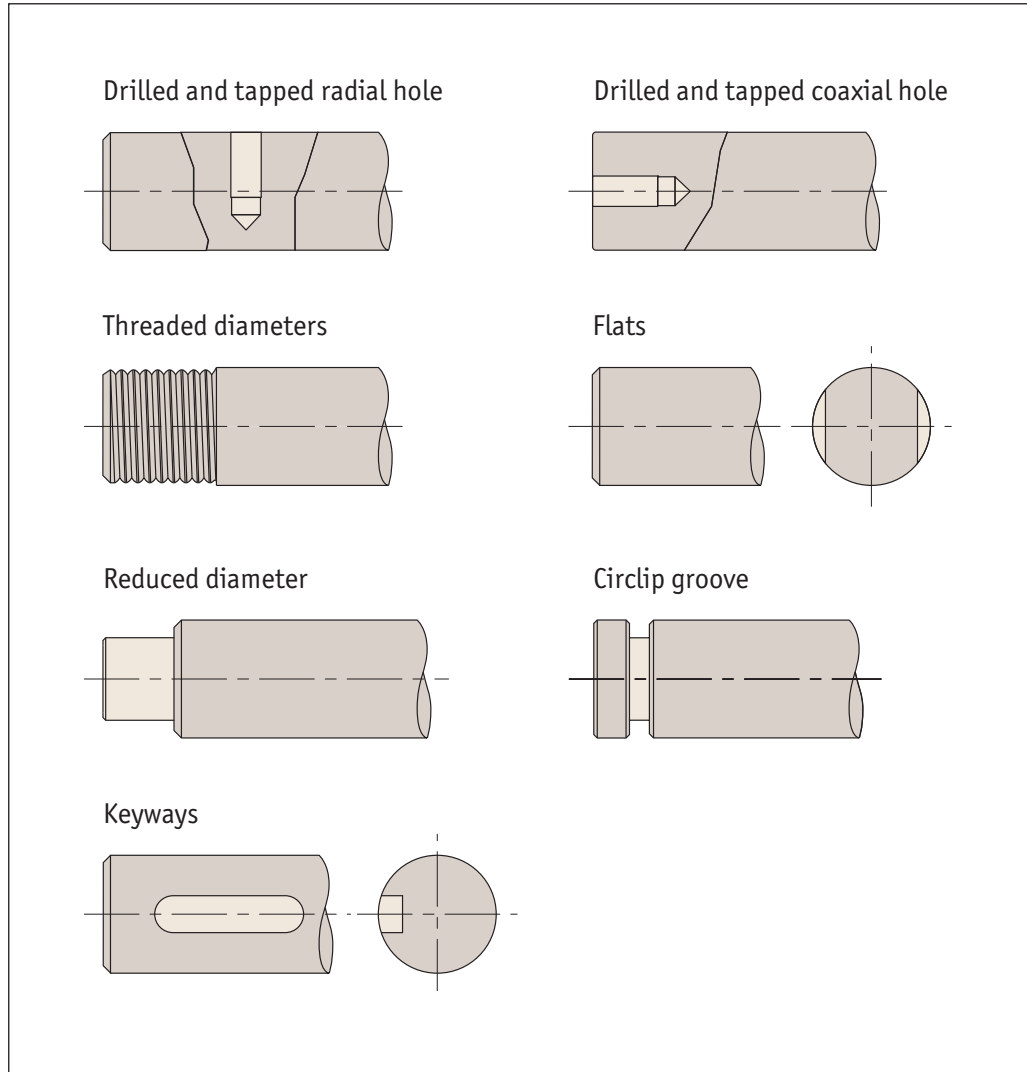
316 is a chromium-nickel-molybdenum austenitic stainless steel with good strength and excellent corrosion resistance, as supplied in the annealed condition. Characterised by high corrosion resistance in marine and industrial atmospheres, it exhibits excellent resistance to chloride attack and against complex sulphur compounds employed in the pulp and paper processing industries. The addition of 2% to 3% of molybdenum increases its resistance to pitting corrosion and improves its creep resistance at elevated temperatures. Also it displays good oxidation resistance at elevated temperatures and has excellent weldability. AISI 316 cannot be hardened by thermal treatment, but strength and hardness can be increased substantially by cold working, with subsequent reduction in ductility. It is used extensively by the marine, chemical, petrochemical, pulp and paper, textile, transport, manufacturing and allied industries. Typical uses are: architectural components, textile equipment, pulp and paper processing equipment, marine equipment and fittings, photographic equipment and x-ray equipment etc. Material non magnetic in the annealed condition, but can become mildly magnetic following heavy cold working. Annealing is required to rectify if necessary.

Note: Optimum corrosion resistance is achieved in the annealed condition. Not suitable for use with linear ball bushings; please use ceramic bearings.



As well as standard cut to length shafting, Automotion can offer many specials including imperial shafts, different tolerances and non-standard diameters.

We can also machine shafts to your requirements so if you have a specific requirement, please contact our Sales team. Below are examples of just some of the machining we can do to shafting on a quick turnaround.



Linear Shafts from Automotion Components

LINEAR SHAFT BARS