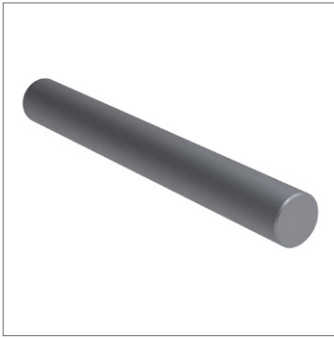


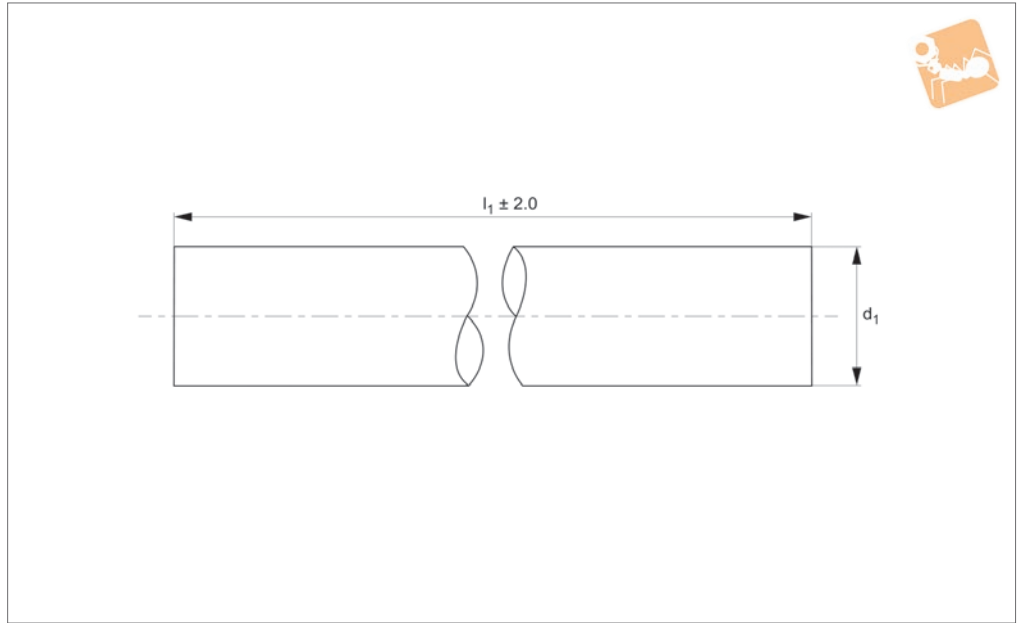


Linear Shafts from Automotion Components

<p>L1770 - Hardened steel shafts</p>  <p>For use with linear bearings.</p> <p>Ø6 to Ø60</p>	<p>L1771 - Hardened hollow shafts</p>  <p>For use with linear bearings. Hollowed for lighter weight.</p> <p>Ø12 to Ø50</p>
<p>L1772 - Hardened Stainless shafts</p>  <p>For use with linear bearings Anti-corrosion.</p> <p>Ø6 to Ø60</p>	<p>L1773 - Stainless 303 shafts</p>  <p>Soft stainless, high anti-corrosion. Not for use with ball bush linear bearings.</p> <p>Ø6 to Ø60</p>
<p>L1774 - Stainless 316 shafts</p>  <p>Soft stainless, very high anti-corrosion. Not for use with ball bushing linear bearings.</p> <p>Ø6 to Ø60</p>	<p>L1778 - Aluminium shafts</p>  <p>Light weight, non-magnetic.</p> <p>Ø10 to Ø50</p>



L1778.08



Material

Aluminium EN AW 6061/6060
 Surface: Hard anodized
 Hardness: 450-550 HV

Technical Notes

Designed to be used with self-lubricating ceramic bushings (part no.s L1764 to

L1769).

Temp. range -130°C to +200°C.
 Non-magnetic, contaminants do not stick to surface, coating is FDA compliant, light-weight.

Tips

Shaft ends are not coated as standard,

however coated ends are available on request.

Modifications, drilled and tapped holes, circlip grooves, special coatings etc. available.

Shafts lengths are cut to typically ± 2mm.

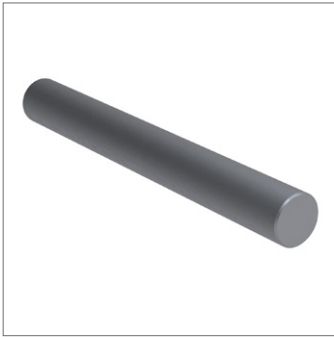
Order No.	d ₁ tol. h6	l ₁	Tolerance μ tol. h6
L1778.08-0100	8	100	+0,-9
L1778.08-0150	8	150	+0,-9
L1778.08-0200	8	200	+0,-9
L1778.08-0250	8	250	+0,-9
L1778.08-0300	8	300	+0,-9
L1778.08-0350	8	350	+0,-9
L1778.08-0400	8	400	+0,-9
L1778.08-0450	8	450	+0,-9
L1778.08-0500	8	500	+0,-9
L1778.08-0550	8	550	+0,-9
L1778.08-0600	8	600	+0,-9
L1778.08-0650	8	650	+0,-9
L1778.08-0700	8	700	+0,-9
L1778.08-0750	8	750	+0,-9
L1778.08-0800	8	800	+0,-9
L1778.08-0850	8	850	+0,-9
L1778.08-0900	8	900	+0,-9
L1778.08-1000	8	1000	+0,-9
L1778.08-1050	8	1050	+0,-9
L1778.08-1100	8	1100	+0,-9
L1778.08-1150	8	1150	+0,-9
L1778.08-1200	8	1200	+0,-9
L1778.08-1250	8	1250	+0,-9
L1778.08-1300	8	1300	+0,-9
L1778.08-1350	8	1350	+0,-9
L1778.08-1400	8	1400	+0,-9
L1778.08-1450	8	1450	+0,-9
L1778.08-1500	8	1500	+0,-9
L1778.08-1550	8	1550	+0,-9
L1778.08-1600	8	1600	+0,-9



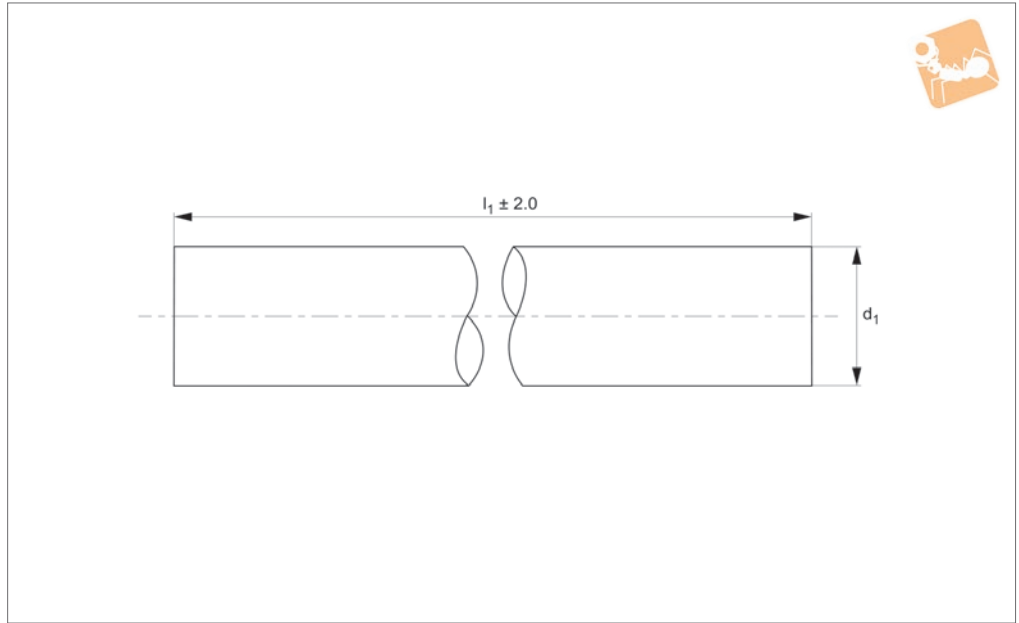
8Ø Aluminium Shafts

Linear Shaft Bars

Order No.	d_1 tol. h6	l_1	Tolerance μ tol. h6
L1778.08-1650	8	1650	+0,-9
L1778.08-1700	8	1700	+0,-9
L1778.08-1750	8	1750	+0,-9
L1778.08-1800	8	1800	+0,-9
L1778.08-1850	8	1850	+0,-9
L1778.08-1900	8	1900	+0,-9
L1778.08-1950	8	1950	+0,-9
L1778.08-2000	8	2000	+0,-9



L1778.10



Material

Aluminium EN AW 6061/6060
 Surface: Hard anodized
 Hardness: 450-550 HV

Technical Notes

Designed to be used with self-lubricating ceramic bushings (part no.s L1764 to

L1769).

Temp. range -130°C to +200°C.
 Non-magnetic, contaminants do not stick to surface, coating is FDA compliant, light-weight.

Tips

Shaft ends are not coated as standard,

however coated ends are available on request.

Modifications, drilled and tapped holes, circlip grooves, special coatings etc. available.

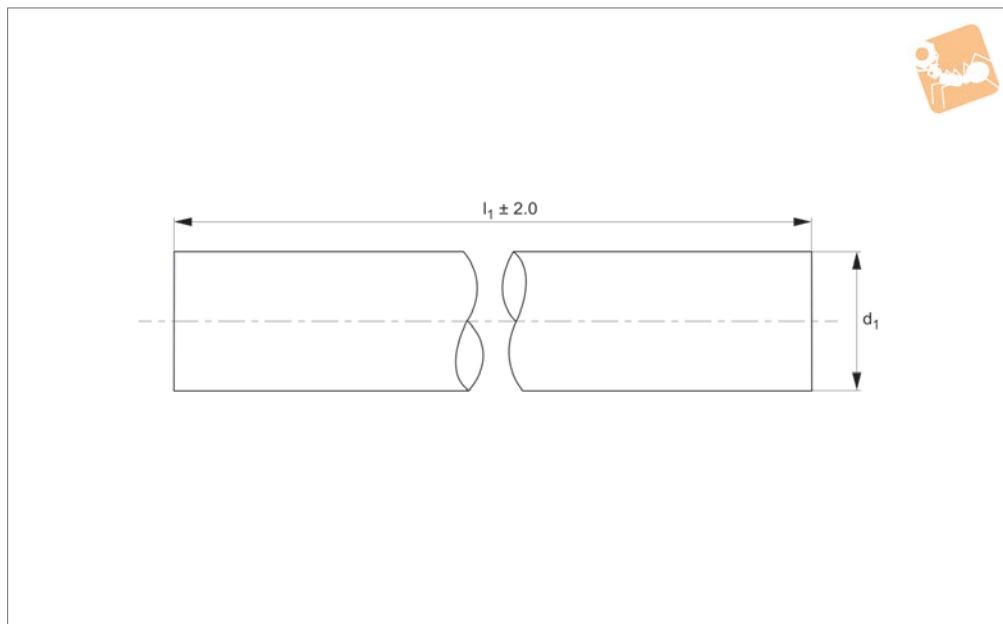
Shafts lengths are cut to typically ± 2 mm.

Order No.	d ₁ tol. h6	l ₁	Tolerance μ tol. h6
L1778.10-0100	10	100	+0,-9
L1778.10-0150	10	150	+0,-9
L1778.10-0200	10	200	+0,-9
L1778.10-0250	10	250	+0,-9
L1778.10-0300	10	300	+0,-9
L1778.10-0350	10	350	+0,-9
L1778.10-0400	10	400	+0,-9
L1778.10-0450	10	450	+0,-9
L1778.10-0500	10	500	+0,-9
L1778.10-0550	10	550	+0,-9
L1778.10-0600	10	600	+0,-9
L1778.10-0650	10	650	+0,-9
L1778.10-0700	10	700	+0,-9
L1778.10-0750	10	750	+0,-9
L1778.10-0800	10	800	+0,-9
L1778.10-0850	10	850	+0,-9
L1778.10-0900	10	900	+0,-9
L1778.10-1000	10	1000	+0,-9
L1778.10-1050	10	1050	+0,-9
L1778.10-1100	10	1100	+0,-9
L1778.10-1150	10	1150	+0,-9
L1778.10-1200	10	1200	+0,-9
L1778.10-1250	10	1250	+0,-9
L1778.10-1300	10	1300	+0,-9
L1778.10-1350	10	1350	+0,-9
L1778.10-1400	10	1400	+0,-9
L1778.10-1450	10	1450	+0,-9
L1778.10-1500	10	1500	+0,-9
L1778.10-1550	10	1550	+0,-9
L1778.10-1600	10	1600	+0,-9

Order No.	d_1 tol. h6	l_1	Tolerance μ tol. h6
L1778.10-1650	10	1650	+0,-9
L1778.10-1700	10	1700	+0,-9
L1778.10-1750	10	1750	+0,-9
L1778.10-1800	10	1800	+0,-9
L1778.10-1850	10	1850	+0,-9
L1778.10-1900	10	1900	+0,-9
L1778.10-1950	10	1950	+0,-9
L1778.10-2000	10	2000	+0,-9



L1778.12



Material

Aluminium EN AW 6061/6060
 Surface: Hard anodized
 Hardness: 450-550 HV

Technical Notes

Designed to be used with self-lubricating ceramic bushings (part no.s L1764 to

L1769).

Temp. range -130°C to +200°C.
 Non-magnetic, contaminants do not stick to surface, coating is FDA compliant, light-weight.

Tips

Shaft ends are not coated as standard,

however coated ends are available on request.

Modifications, drilled and tapped holes, circlip grooves, special coatings etc. available.

Shafts lengths are cut to typically ± 2mm.

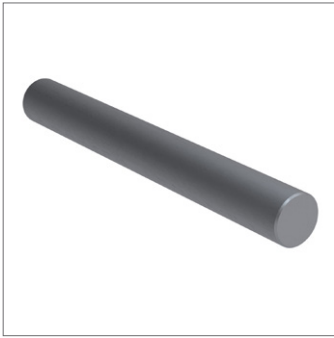
Order No.	d ₁ tol. h6	l ₁	Tolerance μ tol. h6
L1778.12-0100	12	100	+0,-9
L1778.12-0150	12	150	+0,-9
L1778.12-0200	12	200	+0,-9
L1778.12-0250	12	250	+0,-9
L1778.12-0300	12	300	+0,-9
L1778.12-0350	12	350	+0,-9
L1778.12-0400	12	400	+0,-9
L1778.12-0450	12	450	+0,-9
L1778.12-0500	12	500	+0,-9
L1778.12-0550	12	550	+0,-9
L1778.12-0600	12	600	+0,-9
L1778.12-0650	12	650	+0,-9
L1778.12-0700	12	700	+0,-9
L1778.12-0750	12	750	+0,-9
L1778.12-0800	12	800	+0,-9
L1778.12-0850	12	850	+0,-9
L1778.12-0900	12	900	+0,-9
L1778.12-1000	12	1000	+0,-9
L1778.12-1050	12	1050	+0,-9
L1778.12-1100	12	1100	+0,-9
L1778.12-1150	12	1150	+0,-9
L1778.12-1200	12	1200	+0,-9
L1778.12-1250	12	1250	+0,-9
L1778.12-1300	12	1300	+0,-9
L1778.12-1350	12	1350	+0,-9
L1778.12-1400	12	1400	+0,-9
L1778.12-1450	12	1450	+0,-9
L1778.12-1500	12	1500	+0,-9
L1778.12-1550	12	1550	+0,-9
L1778.12-1600	12	1600	+0,-9

12Ø Aluminium Shafts

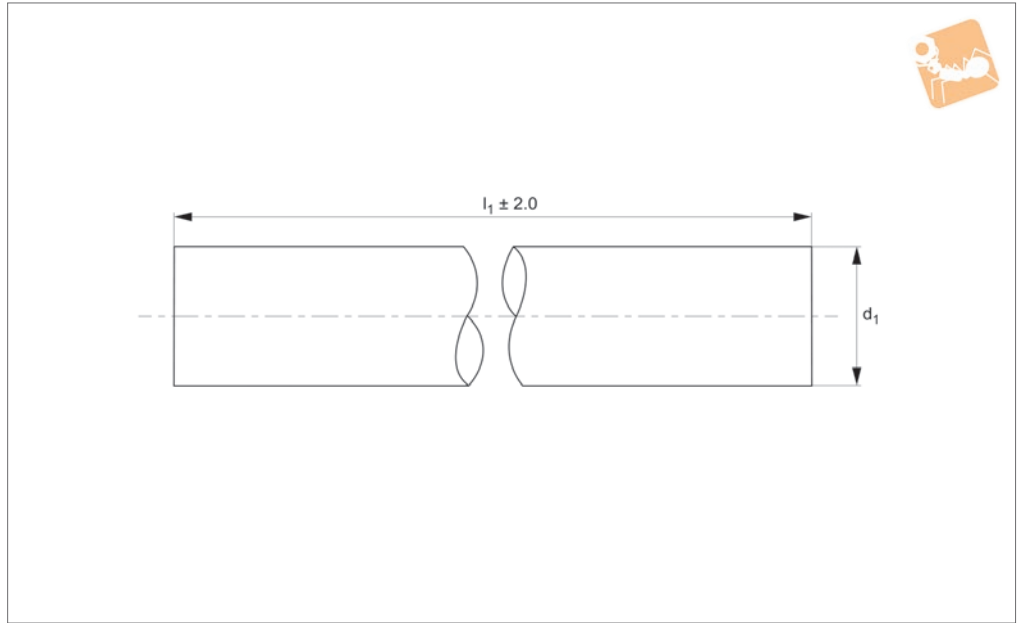
Linear Shaft Bars

Order No.	d_1 tol. h6	l_1	Tolerance μ tol. h6
L1778.12-1650	12	1650	+0,-9
L1778.12-1700	12	1700	+0,-9
L1778.12-1750	12	1750	+0,-9
L1778.12-1800	12	1800	+0,-9
L1778.12-1850	12	1850	+0,-9
L1778.12-1900	12	1900	+0,-9
L1778.12-1950	12	1950	+0,-9
L1778.12-2000	12	2000	+0,-9

LINEAR SHAFT BARS



L1778.16



Material

Aluminium EN AW 6061/6060
Surface: Hard anodized
Hardness: 450-550 HV

Technical Notes

Designed to be used with self-lubricating ceramic bushings (part no.s L1764 to

L1769).

Temp. range -130°C to +200°C.
Non-magnetic, contaminants do not stick to surface, coating is FDA compliant, light-weight.

Tips

Shaft ends are not coated as standard,

however coated ends are available on request.

Modifications, drilled and tapped holes, circlip grooves, special coatings etc. available.

Shafts lengths are cut to typically ± 2 mm.

Order No.	d ₁ tol. h6	l ₁	Tolerance μ tol. h6
L1778.16-0100	16	100	+0,-9
L1778.16-0150	16	150	+0,-9
L1778.16-0200	16	200	+0,-9
L1778.16-0250	16	250	+0,-9
L1778.16-0300	16	300	+0,-9
L1778.16-0350	16	350	+0,-9
L1778.16-0400	16	400	+0,-9
L1778.16-0450	16	450	+0,-9
L1778.16-0500	16	500	+0,-9
L1778.16-0550	16	550	+0,-9
L1778.16-0600	16	600	+0,-9
L1778.16-0650	16	650	+0,-9
L1778.16-0700	16	700	+0,-9
L1778.16-0750	16	750	+0,-9
L1778.16-0800	16	800	+0,-9
L1778.16-0850	16	850	+0,-9
L1778.16-0900	16	900	+0,-9
L1778.16-1000	16	1000	+0,-9
L1778.16-1050	16	1050	+0,-9
L1778.16-1100	16	1100	+0,-9
L1778.16-1150	16	1150	+0,-9
L1778.16-1200	16	1200	+0,-9
L1778.16-1250	16	1250	+0,-9
L1778.16-1300	16	1300	+0,-9
L1778.16-1350	16	1350	+0,-9
L1778.16-1400	16	1400	+0,-9
L1778.16-1450	16	1450	+0,-9
L1778.16-1500	16	1500	+0,-9
L1778.16-1550	16	1550	+0,-9
L1778.16-1600	16	1600	+0,-9



16Ø Aluminium Shafts

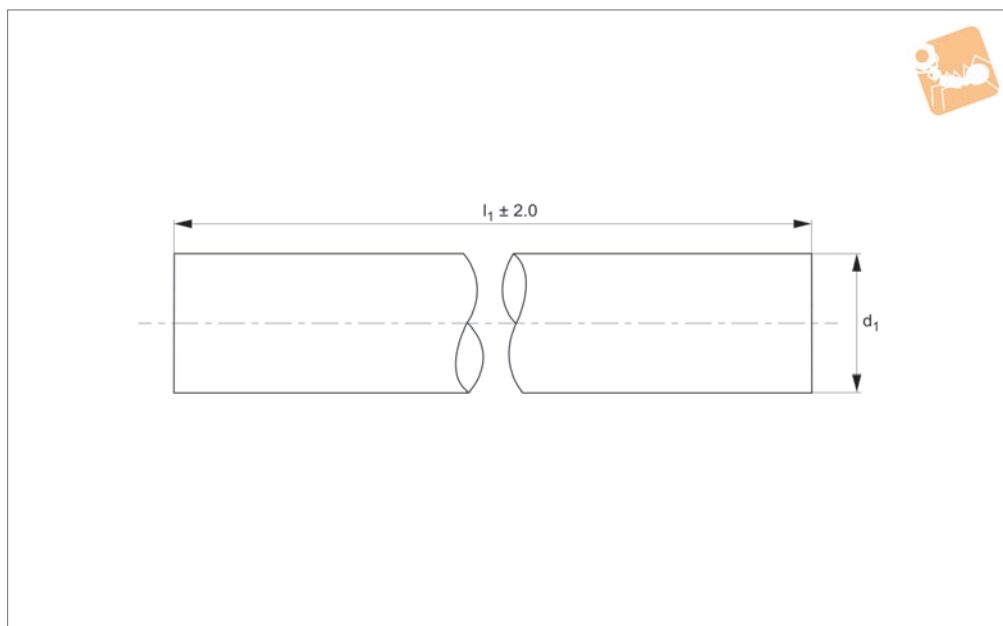
Linear Shaft Bars

Order No.	d_1 tol. h6	l_1	Tolerance μ tol. h6
L1778.16-1650	16	1650	+0,-9
L1778.16-1700	16	1700	+0,-9
L1778.16-1750	16	1750	+0,-9
L1778.16-1800	16	1800	+0,-9
L1778.16-1850	16	1850	+0,-9
L1778.16-1900	16	1900	+0,-9
L1778.16-1950	16	1950	+0,-9
L1778.16-2000	16	2000	+0,-9

LINEAR SHAFT BARS



L1778.20



Material

Aluminium EN AW 6061/6060
 Surface: Hard anodized
 Hardness: 450-550 HV

Technical Notes

Designed to be used with self-lubricating ceramic bushings (part no.s L1764 to

L1769).

Temp. range -130°C to +200°C.
 Non-magnetic, contaminants do not stick to surface, coating is FDA compliant, light-weight.

Tips

Shaft ends are not coated as standard,

however coated ends are available on request.

Modifications, drilled and tapped holes, circlip grooves, special coatings etc. available.

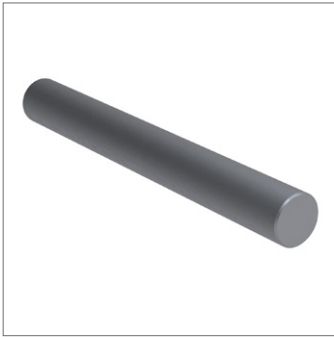
Shafts lengths are cut to typically ± 2mm.

Order No.	d ₁ tol. h6	l ₁	Tolerance μ tol. h6
L1778.20-0100	20	100	+0,-9
L1778.20-0150	20	150	+0,-9
L1778.20-0200	20	200	+0,-9
L1778.20-0250	20	250	+0,-9
L1778.20-0300	20	300	+0,-9
L1778.20-0350	20	350	+0,-9
L1778.20-0400	20	400	+0,-9
L1778.20-0450	20	450	+0,-9
L1778.20-0500	20	500	+0,-9
L1778.20-0550	20	550	+0,-9
L1778.20-0600	20	600	+0,-9
L1778.20-0650	20	650	+0,-9
L1778.20-0700	20	700	+0,-9
L1778.20-0750	20	750	+0,-9
L1778.20-0800	20	800	+0,-9
L1778.20-0850	20	850	+0,-9
L1778.20-0900	20	900	+0,-9
L1778.20-1000	20	1000	+0,-9
L1778.20-1050	20	1050	+0,-9
L1778.20-1100	20	1100	+0,-9
L1778.20-1150	20	1150	+0,-9
L1778.20-1200	20	1200	+0,-9
L1778.20-1250	20	1250	+0,-9
L1778.20-1300	20	1300	+0,-9
L1778.20-1350	20	1350	+0,-9
L1778.20-1400	20	1400	+0,-9
L1778.20-1450	20	1450	+0,-9
L1778.20-1500	20	1500	+0,-9
L1778.20-1550	20	1550	+0,-9
L1778.20-1600	20	1600	+0,-9

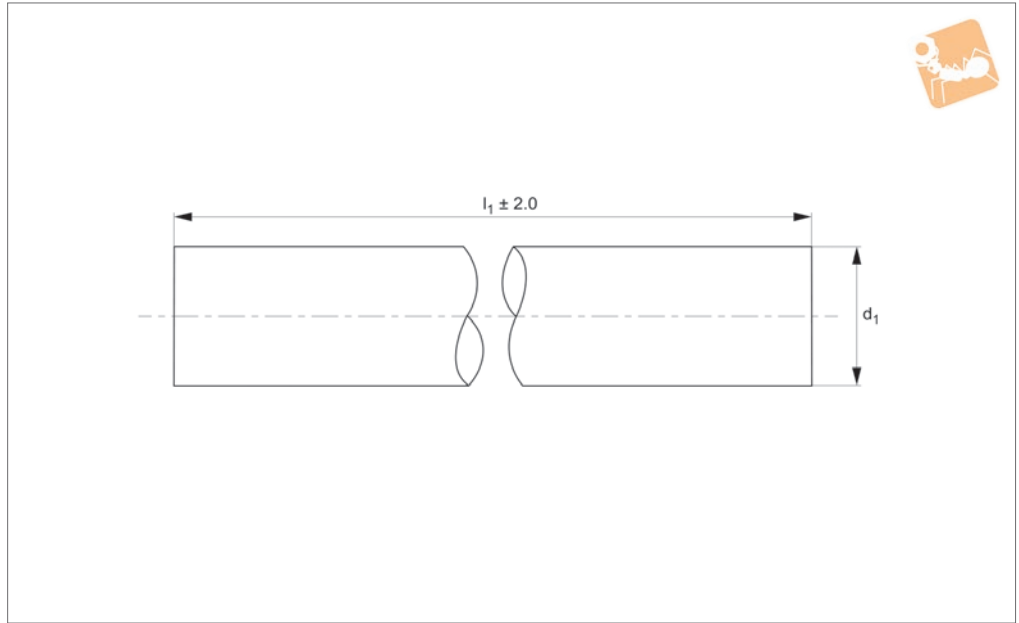


Order No.	d_1 tol. h6	l_1	Tolerance μ tol. h6
L1778.20-1650	20	1650	+0,-9
L1778.20-1700	20	1700	+0,-9
L1778.20-1750	20	1750	+0,-9
L1778.20-1800	20	1800	+0,-9
L1778.20-1850	20	1850	+0,-9
L1778.20-1900	20	1900	+0,-9
L1778.20-1950	20	1950	+0,-9
L1778.20-2000	20	2000	+0,-9

LINEAR SHAFT BARS



L1778.25



Material

Aluminium EN AW 6061/6060
Surface: Hard anodized
Hardness: 450-550 HV

Technical Notes

Designed to be used with self-lubricating ceramic bushings (part no.s L1764 to

L1769).

Temp. range -130°C to +200°C.
Non-magnetic, contaminants do not stick to surface, coating is FDA compliant, light-weight.

Tips

Shaft ends are not coated as standard,

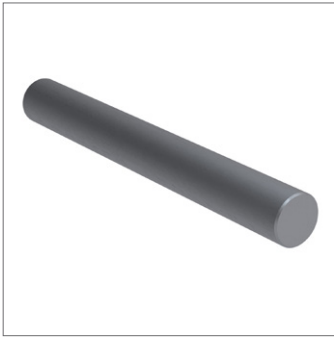
however coated ends are available on request.

Modifications, drilled and tapped holes, circlip grooves, special coatings etc. available.

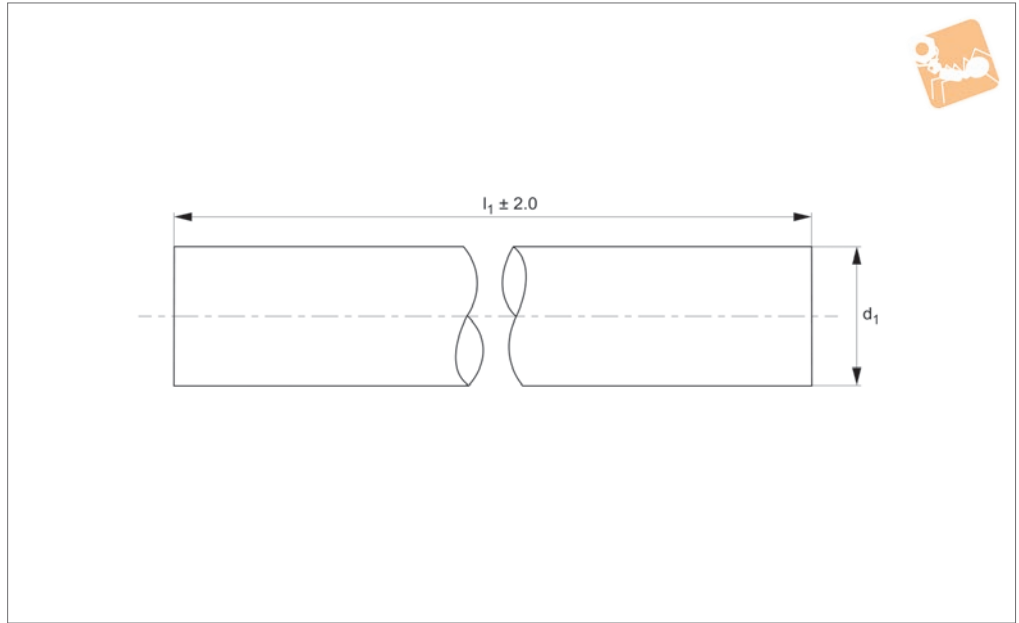
Shafts lengths are cut to typically $\pm 2\text{mm}$.

Order No.	d_1 tol. h6	l_1	Tolerance μ tol. h6
L1778.25-0100	25	100	+0,-9
L1778.25-0150	25	150	+0,-9
L1778.25-0200	25	200	+0,-9
L1778.25-0250	25	250	+0,-9
L1778.25-0300	25	300	+0,-9
L1778.25-0350	25	350	+0,-9
L1778.25-0400	25	400	+0,-9
L1778.25-0450	25	450	+0,-9
L1778.25-0500	25	500	+0,-9
L1778.25-0550	25	550	+0,-9
L1778.25-0600	25	600	+0,-9
L1778.25-0650	25	650	+0,-9
L1778.25-0700	25	700	+0,-9
L1778.25-0750	25	750	+0,-9
L1778.25-0800	25	800	+0,-9
L1778.25-0850	25	850	+0,-9
L1778.25-0900	25	900	+0,-9
L1778.25-1000	25	1000	+0,-9
L1778.25-1050	25	1050	+0,-9
L1778.25-1100	25	1100	+0,-9
L1778.25-1150	25	1150	+0,-9
L1778.25-1200	25	1200	+0,-9
L1778.25-1250	25	1250	+0,-9
L1778.25-1300	25	1300	+0,-9
L1778.25-1350	25	1350	+0,-9
L1778.25-1400	25	1400	+0,-9
L1778.25-1450	25	1450	+0,-9
L1778.25-1500	25	1500	+0,-9
L1778.25-1550	25	1550	+0,-9
L1778.25-1600	25	1600	+0,-9

Order No.	d_1 tol. h6	l_1	Tolerance μ tol. h6
L1778.25-1650	25	1650	+0,-9
L1778.25-1700	25	1700	+0,-9
L1778.25-1750	25	1750	+0,-9
L1778.25-1800	25	1800	+0,-9
L1778.25-1850	25	1850	+0,-9
L1778.25-1900	25	1900	+0,-9
L1778.25-1950	25	1950	+0,-9
L1778.25-2000	25	2000	+0,-9



L1778.30



Material

Aluminium EN AW 6061/6060
 Surface: Hard anodized
 Hardness: 450-550 HV

Technical Notes

Designed to be used with self-lubricating ceramic bushings (part no.s L1764 to

L1769).

Temp. range -130°C to $+200^{\circ}\text{C}$.
 Non-magnetic, contaminants do not stick to surface, coating is FDA compliant, light-weight.

Tips

Shaft ends are not coated as standard,

however coated ends are available on request.

Modifications, drilled and tapped holes, circlip grooves, special coatings etc. available.

Shafts lengths are cut to typically $\pm 2\text{mm}$.

Order No.	d_1 tol. h6	l_1	Tolerance μ tol. h6
L1778.30-0100	30	100	+0,-9
L1778.30-0150	30	150	+0,-9
L1778.30-0200	30	200	+0,-9
L1778.30-0250	30	250	+0,-9
L1778.30-0300	30	300	+0,-9
L1778.30-0350	30	350	+0,-9
L1778.30-0400	30	400	+0,-9
L1778.30-0450	30	450	+0,-9
L1778.30-0500	30	500	+0,-9
L1778.30-0550	30	550	+0,-9
L1778.30-0600	30	600	+0,-9
L1778.30-0650	30	650	+0,-9
L1778.30-0700	30	700	+0,-9
L1778.30-0750	30	750	+0,-9
L1778.30-0800	30	800	+0,-9
L1778.30-0850	30	850	+0,-9
L1778.30-0900	30	900	+0,-9
L1778.30-1000	30	1000	+0,-9
L1778.30-1050	30	1050	+0,-9
L1778.30-1100	30	1100	+0,-9
L1778.30-1150	30	1150	+0,-9
L1778.30-1200	30	1200	+0,-9
L1778.30-1250	30	1250	+0,-9
L1778.30-1300	30	1300	+0,-9
L1778.30-1350	30	1350	+0,-9
L1778.30-1400	30	1400	+0,-9
L1778.30-1450	30	1450	+0,-9
L1778.30-1500	30	1500	+0,-9
L1778.30-1550	30	1550	+0,-9
L1778.30-1600	30	1600	+0,-9



30Ø Aluminium Shafts

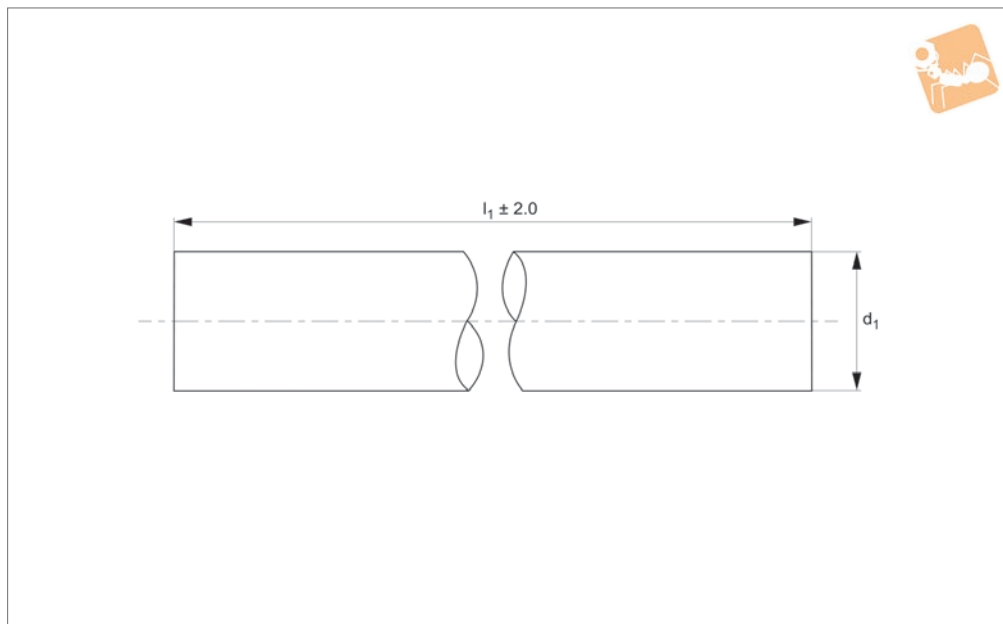
Linear Shaft Bars

Order No.	d_1 tol. h6	l_1	Tolerance μ tol. h6
L1778.30-1650	30	1650	+0,-9
L1778.30-1700	30	1700	+0,-9
L1778.30-1750	30	1750	+0,-9
L1778.30-1800	30	1800	+0,-9
L1778.30-1850	30	1850	+0,-9
L1778.30-1900	30	1900	+0,-9
L1778.30-1950	30	1950	+0,-9
L1778.30-2000	30	2000	+0,-9

LINEAR SHAFT BARS



L1778.40



Material

Aluminium EN AW 6061/6060
Surface: Hard anodized
Hardness: 450-550 HV

Technical Notes

Designed to be used with self-lubricating ceramic bushings (part no.s L1764 to

L1769).

Temp. range -130°C to +200°C.
Non-magnetic, contaminants do not stick to surface, coating is FDA compliant, light-weight.

Tips

Shaft ends are not coated as standard,

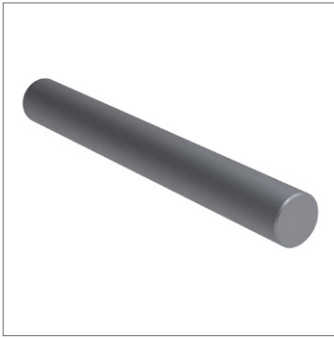
however coated ends are available on request.

Modifications, drilled and tapped holes, circlip grooves, special coatings etc. available.

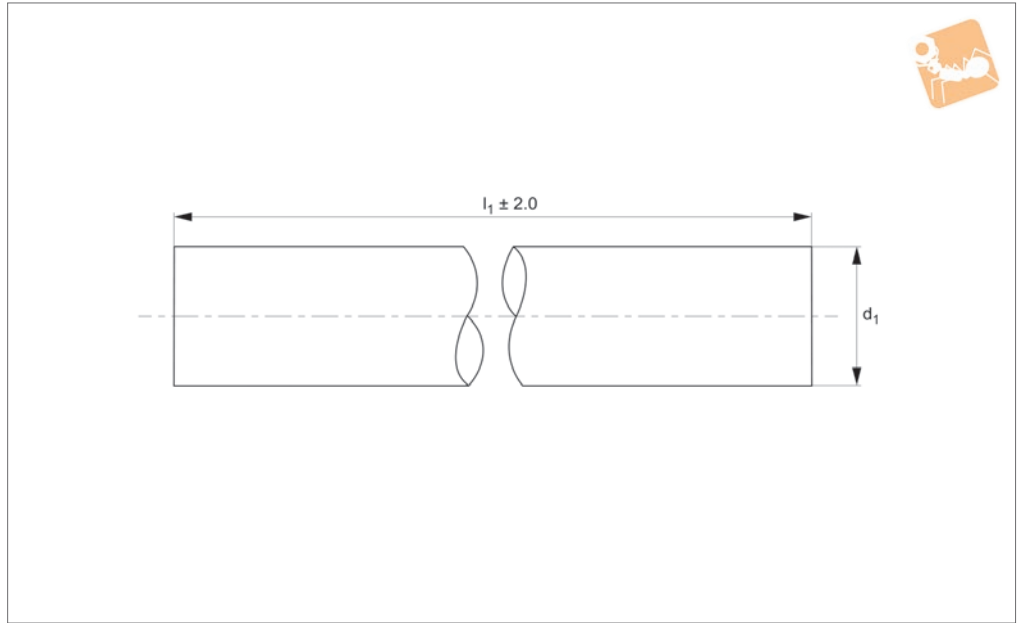
Shafts lengths are cut to typically ± 2mm.

Order No.	d ₁ tol. h6	l ₁	Tolerance μ tol. h6
L1778.40-0100	40	100	+0,-9
L1778.40-0150	40	150	+0,-9
L1778.40-0200	40	200	+0,-9
L1778.40-0250	40	250	+0,-9
L1778.40-0300	40	300	+0,-9
L1778.40-0350	40	350	+0,-9
L1778.40-0400	40	400	+0,-9
L1778.40-0450	40	450	+0,-9
L1778.40-0500	40	500	+0,-9
L1778.40-0550	40	550	+0,-9
L1778.40-0600	40	600	+0,-9
L1778.40-0650	40	650	+0,-9
L1778.40-0700	40	700	+0,-9
L1778.40-0750	40	750	+0,-9
L1778.40-0800	40	800	+0,-9
L1778.40-0850	40	850	+0,-9
L1778.40-0900	40	900	+0,-9
L1778.40-1000	40	1000	+0,-9
L1778.40-1050	40	1050	+0,-9
L1778.40-1100	40	1100	+0,-9
L1778.40-1150	40	1150	+0,-9
L1778.40-1200	40	1200	+0,-9
L1778.40-1250	40	1250	+0,-9
L1778.40-1300	40	1300	+0,-9
L1778.40-1350	40	1350	+0,-9
L1778.40-1400	40	1400	+0,-9
L1778.40-1450	40	1450	+0,-9
L1778.40-1500	40	1500	+0,-9
L1778.40-1550	40	1550	+0,-9
L1778.40-1600	40	1600	+0,-9

Order No.	d_1 tol. h6	l_1	Tolerance μ tol. h6
L1778.40-1650	40	1650	+0,-9
L1778.40-1700	40	1700	+0,-9
L1778.40-1750	40	1750	+0,-9
L1778.40-1800	40	1800	+0,-9
L1778.40-1850	40	1850	+0,-9
L1778.40-1900	40	1900	+0,-9
L1778.40-1950	40	1950	+0,-9
L1778.40-2000	40	2000	+0,-9



L1778.50



Material

Aluminium EN AW 6061/6060
 Surface: Hard anodized
 Hardness: 450-550 HV

Technical Notes

Designed to be used with self-lubricating ceramic bushings (part no.s L1764 to

L1769).

Temp. range -130°C to +200°C.
 Non-magnetic, contaminants do not stick to surface, coating is FDA compliant, light-weight.

Tips

Shaft ends are not coated as standard,

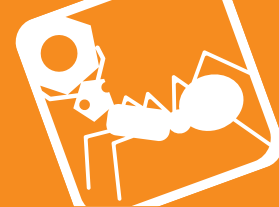
however coated ends are available on request.

Modifications, drilled and tapped holes, circlip grooves, special coatings etc. available.

Shafts lengths are cut to typically ± 2 mm.

Order No.	d_1 tol. h6	l_1	Tolerance μ tol. h6
L1778.50-0100	50	100	+0,-9
L1778.50-0150	50	150	+0,-9
L1778.50-0200	50	200	+0,-9
L1778.50-0250	50	250	+0,-9
L1778.50-0300	50	300	+0,-9
L1778.50-0350	50	350	+0,-9
L1778.50-0400	50	400	+0,-9
L1778.50-0450	50	450	+0,-9
L1778.50-0500	50	500	+0,-9
L1778.50-0550	50	550	+0,-9
L1778.50-0600	50	600	+0,-9
L1778.50-0650	50	650	+0,-9
L1778.50-0700	50	700	+0,-9
L1778.50-0750	50	750	+0,-9
L1778.50-0800	50	800	+0,-9
L1778.50-0850	50	850	+0,-9
L1778.50-0900	50	900	+0,-9
L1778.50-1000	50	1000	+0,-9
L1778.50-1050	50	1050	+0,-9
L1778.50-1100	50	1100	+0,-9
L1778.50-1150	50	1150	+0,-9
L1778.50-1200	50	1200	+0,-9
L1778.50-1250	50	1250	+0,-9
L1778.50-1300	50	1300	+0,-9
L1778.50-1350	50	1350	+0,-9
L1778.50-1400	50	1400	+0,-9
L1778.50-1450	50	1450	+0,-9
L1778.50-1500	50	1500	+0,-9
L1778.50-1550	50	1550	+0,-9
L1778.50-1600	50	1600	+0,-9

Order No.	d_1 tol. h6	l_1	Tolerance μ tol. h6
L1778.50-1650	50	1650	+0,-9
L1778.50-1700	50	1700	+0,-9
L1778.50-1750	50	1750	+0,-9
L1778.50-1800	50	1800	+0,-9
L1778.50-1850	50	1850	+0,-9
L1778.50-1900	50	1900	+0,-9
L1778.50-1950	50	1950	+0,-9
L1778.50-2000	50	2000	+0,-9



Hardened steel linear shafting (L1770 – L1771)

Carbon steel to BS 070M55 hardened to 60-65 HRC. Carbon Steel B.S. 070M55 is a medium carbon steel which is used when greater strength and hardness is desired than in its as rolled condition. Extreme size accuracy, straightness and concentricity are combined to minimise wear in high speed applications. Suitable for use with all types of linear bushings.

Corrosion resistant steel (L1772)

440C is a high carbon chromium martensitic stainless steel, generally supplied in the annealed condition with a maximum hardness of 50-55 HR_C. Characterised by good corrosion resistance in mild domestic and industrial environments, including fresh water, organic materials, mild acids, various petroleum products, coupled with extreme high strength, hardness and wear resistance when in the hardened and tempered condition. Used for parts requiring a combination of excellent wear resistance, plus reasonable corrosion resistance. Typical applications are: ball bearings and races, bushings, cutlery, chisels, knife blades, pump parts, surgical instruments, valve seats etc. Material magnetic in all conditions. Suitable for use with all types of linear bushings.

Stainless steel AISI 303 (L1773)

303 is a free machining chromium-nickel austenitic stainless steel with good strength and good corrosion resistance, as supplied in the annealed condition. Characterised by excellent machinability and non galling properties due to its higher sulphur content, which has the effect of slightly lowering its corrosion resistance. It is however, fairly resistant to general atmospheric corrosion, general foodstuffs, sterilizing solutions, dyestuffs, most organic chemicals, plus some inorganic chemicals. But has very limited resistance to acids. 303 cannot be hardened by thermal treatment, but strength and hardness can be increased substantially by cold working, with subsequent reduction in ductility. It is used primarily for production runs involving extensive machining, or complex parts requiring excellent machinability. Typical uses are: architectural components, food processing equipment, dairy equipment, dyeing industry, hardware and kitchenware manufacturing and allied industries. Commonly used to manufacture bolts and nuts, bushes, gears, shafts, valve bodies and fittings etc. Material is non magnetic in the annealed condition, but can become mildly magnetic following heavy cold working. Annealing is required to rectify if necessary.

Not suitable for use with linear ball bushings, please use ceramic bearings.

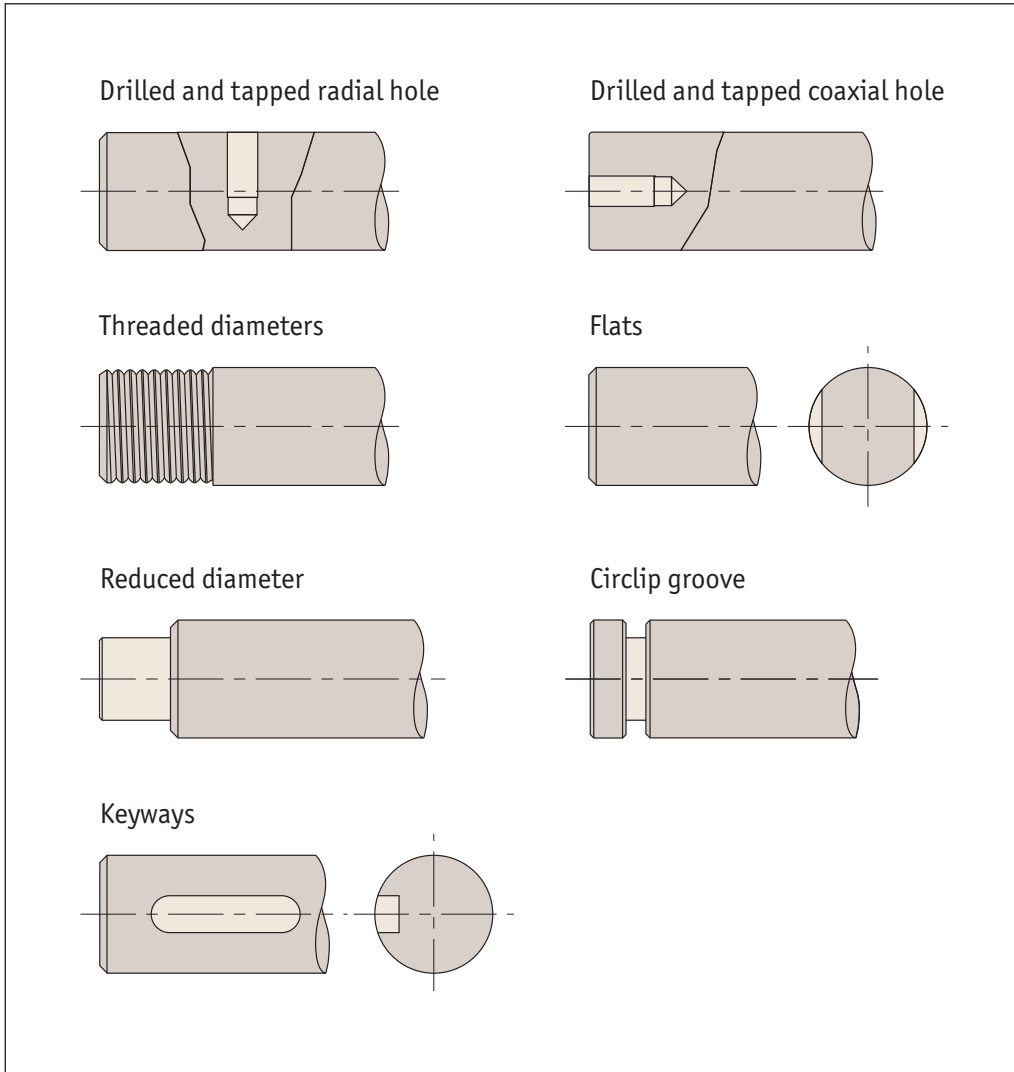
Stainless steel AISI 303 (L1774)

316 is a chromium-nickel-molybdenum austenitic stainless steel with good strength and excellent corrosion resistance, as supplied in the annealed condition. Characterised by high corrosion resistance in marine and industrial atmospheres, it exhibits excellent resistance to chloride attack and against complex sulphur compounds employed in the pulp and paper processing industries. The addition of 2% to 3% of molybdenum increases its resistance to pitting corrosion and improves its creep resistance at elevated temperatures. Also it displays good oxidation resistance at elevated temperatures and has excellent weldability. AISI 316 cannot be hardened by thermal treatment, but strength and hardness can be increased substantially by cold working, with subsequent reduction in ductility. It is used extensively by the marine, chemical, petrochemical, pulp and paper, textile, transport, manufacturing and allied industries. Typical uses are: architectural components, textile equipment, pulp and paper processing equipment, marine equipment and fittings, photographic equipment and x-ray equipment etc. Material non magnetic in the annealed condition, but can become mildly magnetic following heavy cold working. Annealing is required to rectify if necessary.

Note: Optimum corrosion resistance is achieved in the annealed condition. Not suitable for use with linear ball bushings; please use ceramic bearings.

As well as standard cut to length shafting, Automotion can offer many specials including imperial shafts, different tolerances and non-standard diameters.

We can also machine shafts to your requirements so if you have a specific requirement, please contact our Sales team. Below are examples of just some of the machining we can do to shafting on a quick turnaround.



Linear Shafts from Automotion Components

LINEAR SHAFT BARS