

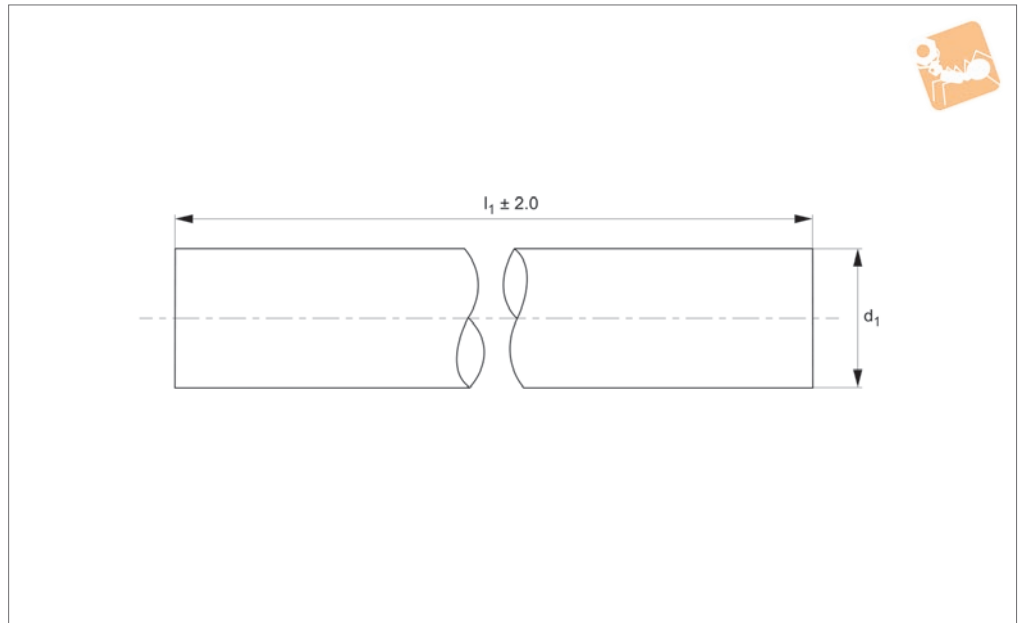


Linear Shafts from Automotion Components

<p>L1770 - Hardened steel shafts</p>  <p>For use with linear bearings. Ø6 to Ø60</p>	<p>L1771 - Hardened hollow shafts</p>  <p>For use with linear bearings. Hollowed for lighter weight. Ø12 to Ø50</p>
<p>L1772 - Hardened Stainless shafts</p>  <p>For use with linear bearings Anti-corrosion. Ø6 to Ø60</p>	<p>L1773 - Stainless 303 shafts</p>  <p>Soft stainless, high anti-corrosion. Not for use with ball bush linear bearings. Ø6 to Ø60</p>
<p>L1774 - Stainless 316 shafts</p>  <p>Soft stainless, very high anti-corrosion. Not for use with ball bushing linear bearings. Ø6 to Ø60</p>	<p>L1778 - Aluminium shafts</p>  <p>Light weight, non-magnetic. Ø10 to Ø50</p>



L1770.05



Material

Carbon steel (070M55,Cf53 - DIN 1.1213), Surface hardness 60-66 HRC. Surface finish 0.3-0.6µ Ra, ground and polished to 8-12 cla.
Yield stress: >325 N/mm², tensile strength: >630 N/mm².

Technical Notes

Tolerance, h6 standard, special tolerances upon request.
Suitable for use with linear bearings.
Straightness 0,3mm/m.

Tips

Modifications, drilled and tapped holes, retainer grooves, special coatings etc. are available.
Shaft lengths are cut to typically ± 2mm, ends are not hardened.

Order No.	d ₁ tol. h6	l ₁	Depth of hardness min.	Weight kg
L1770.05-0100	5	100	0.4	0.016
L1770.05-0150	5	150	0.4	0.024
L1770.05-0200	5	200	0.4	0.032
L1770.05-0250	5	250	0.4	0.040
L1770.05-0300	5	300	0.4	0.048
L1770.05-0350	5	350	0.4	0.056
L1770.05-0400	5	400	0.4	0.064
L1770.05-0450	5	450	0.4	0.072
L1770.05-0500	5	500	0.4	0.080
L1770.05-0550	5	550	0.4	0.088
L1770.05-0600	5	600	0.4	0.096
L1770.05-0650	5	650	0.4	0.104
L1770.05-0700	5	700	0.4	0.112
L1770.05-0750	5	750	0.4	0.120
L1770.05-0800	5	800	0.4	0.128
L1770.05-0850	5	850	0.4	0.136
L1770.05-0900	5	900	0.4	0.144
L1770.05-0950	5	950	0.4	0.152
L1770.05-1000	5	1000	0.4	0.160
L1770.05-1050	5	1050	0.4	0.168
L1770.05-1100	5	1100	0.4	0.176
L1770.05-1150	5	1150	0.4	0.184
L1770.05-1200	5	1200	0.4	0.192
L1770.05-1250	5	1250	0.4	0.200
L1770.05-1300	5	1300	0.4	0.208
L1770.05-1350	5	1350	0.4	0.216
L1770.05-1400	5	1400	0.4	0.224
L1770.05-1450	5	1450	0.4	0.232
L1770.05-1500	5	1500	0.4	0.240
L1770.05-1550	5	1550	0.4	0.248
L1770.05-1600	5	1600	0.4	0.256



50 Hardened Steel Shafts

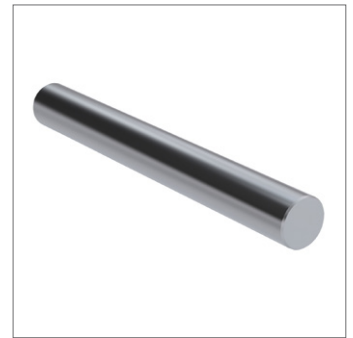
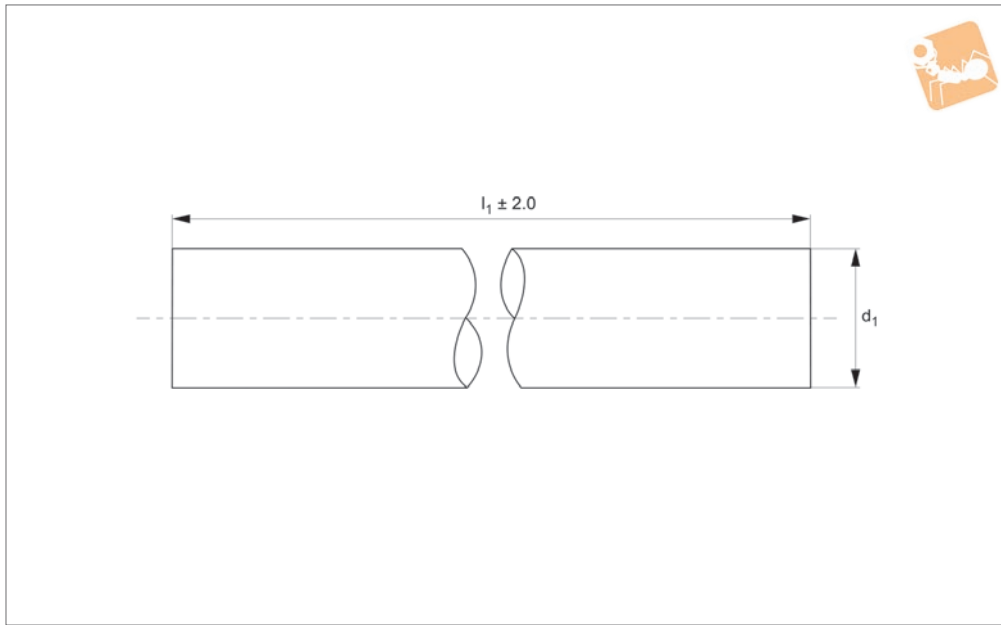
Linear Shaft Bars

Order No.	d ₁ tol. h6	l ₁	Depth of hardness min.	Weight kg
L1770.05-1650	5	1650	0.4	0.264
L1770.05-1700	5	1700	0.4	0.272
L1770.05-1750	5	1750	0.4	0.280
L1770.05-1800	5	1800	0.4	0.288
L1770.05-1850	5	1850	0.4	0.296
L1770.05-1900	5	1900	0.4	0.304
L1770.05-1950	5	1950	0.4	0.312
L1770.05-2000	5	2000	0.4	0.320
L1770.05-2050	5	2050	0.4	0.328
L1770.05-2100	5	2100	0.4	0.336
L1770.05-2150	5	2150	0.4	0.344
L1770.05-2200	5	2200	0.4	0.352
L1770.05-2250	5	2250	0.4	0.360
L1770.05-2300	5	2300	0.4	0.368
L1770.05-2350	5	2350	0.4	0.376
L1770.05-2400	5	2400	0.4	0.384
L1770.05-2450	5	2450	0.4	0.392
L1770.05-2500	5	2500	0.4	0.400
L1770.05-2550	5	2550	0.4	0.408
L1770.05-2600	5	2600	0.4	0.416
L1770.05-2650	5	2650	0.4	0.424
L1770.05-2700	5	2700	0.4	0.432
L1770.05-2750	5	2750	0.4	0.440
L1770.05-2800	5	2800	0.4	0.448
L1770.05-2850	5	2850	0.4	0.456
L1770.05-2900	5	2900	0.4	0.464
L1770.05-2950	5	2950	0.4	0.472
L1770.05-3000	5	3000	0.4	0.480
L1770.05-3050	5	3050	0.4	0.488
L1770.05-3100	5	3100	0.4	0.496
L1770.05-3150	5	3150	0.4	0.504
L1770.05-3200	5	3200	0.4	0.512
L1770.05-3250	5	3250	0.4	0.520
L1770.05-3300	5	3300	0.4	0.528
L1770.05-3350	5	3350	0.4	0.536
L1770.05-3400	5	3400	0.4	0.544
L1770.05-3450	5	3450	0.4	0.552
L1770.05-3500	5	3500	0.4	0.560
L1770.05-3550	5	3550	0.4	0.568
L1770.05-3600	5	3600	0.4	0.576
L1770.05-3650	5	3650	0.4	0.584
L1770.05-3700	5	3700	0.4	0.592
L1770.05-3750	5	3750	0.4	0.600
L1770.05-3800	5	3800	0.4	0.608
L1770.05-3850	5	3850	0.4	0.616
L1770.05-3900	5	3900	0.4	0.624
L1770.05-3950	5	3950	0.4	0.632
L1770.05-4000	5	4000	0.4	0.640
L1770.05-4050	5	4050	0.4	0.648
L1770.05-4100	5	4100	0.4	0.656
L1770.05-4150	5	4150	0.4	0.664
L1770.05-4200	5	4200	0.4	0.672
L1770.05-4250	5	4250	0.4	0.680
L1770.05-4300	5	4300	0.4	0.688
L1770.05-4350	5	4350	0.4	0.696
L1770.05-4400	5	4400	0.4	0.704
L1770.05-4450	5	4450	0.4	0.712
L1770.05-4500	5	4500	0.4	0.720
L1770.05-4550	5	4550	0.4	0.728
L1770.05-4600	5	4600	0.4	0.736
L1770.05-4650	5	4650	0.4	0.744
L1770.05-4700	5	4700	0.4	0.752
L1770.05-4750	5	4750	0.4	0.760
L1770.05-4800	5	4800	0.4	0.768
L1770.05-4850	5	4850	0.4	0.776
L1770.05-4900	5	4900	0.4	0.784
L1770.05-4950	5	4950	0.4	0.792
L1770.05-5000	5	5000	0.4	0.800

LINEAR SHAFT BARS



Order No.	d ₁ tol. h6	l ₁	Depth of hardness min.	Weight kg
L1770.05-5050	5	5050	0.4	0.808
L1770.05-5100	5	5100	0.4	0.816
L1770.05-5150	5	5150	0.4	0.824
L1770.05-5200	5	5200	0.4	0.832
L1770.05-5250	5	5250	0.4	0.840
L1770.05-5300	5	5300	0.4	0.848
L1770.05-5350	5	5350	0.4	0.856
L1770.05-5400	5	5400	0.4	0.864
L1770.05-5450	5	5450	0.4	0.872
L1770.05-5500	5	5500	0.4	0.880
L1770.05-5550	5	5550	0.4	0.888
L1770.05-5600	5	5600	0.4	0.896
L1770.05-5650	5	5650	0.4	0.904
L1770.05-5700	5	5700	0.4	0.912
L1770.05-5750	5	5750	0.4	0.920
L1770.05-5800	5	5800	0.4	0.928
L1770.05-5850	5	5850	0.4	0.936
L1770.05-5900	5	5900	0.4	0.944
L1770.05-5950	5	5950	0.4	0.952
L1770.05-6000	5	6000	0.4	0.960



L1770.06

LINEAR SHAFT BARS

Material

Carbon steel (070M55,Cf53 - DIN 1.1213), Surface hardness 60-66 HRC. Surface finish 0.3-0.6 μ Ra, ground and polished to 8-12 cla. Yield stress: >325 N/mm², tensile strength: >630 N/mm².

Technical Notes

Tolerance, h6 standard, special tolerances upon request. Suitable for use with linear bearings. Straightness 0,3mm/m.

Tips

Modifications, drilled and tapped holes, retainer grooves, special coatings etc. are available. Shaft lengths are cut to typically ± 2 mm, ends are not hardened.

Order No.	d_1 tol. h6	l_1	Depth of hardness min.	Weight kg
L1770.06-0100	6	100	0.4	0.023
L1770.06-0150	6	150	0.4	0.035
L1770.06-0200	6	200	0.4	0.046
L1770.06-0250	6	250	0.4	0.058
L1770.06-0300	6	300	0.4	0.069
L1770.06-0350	6	350	0.4	0.081
L1770.06-0400	6	400	0.4	0.092
L1770.06-0450	6	450	0.4	0.104
L1770.06-0500	6	500	0.4	0.115
L1770.06-0550	6	550	0.4	0.127
L1770.06-0600	6	600	0.4	0.138
L1770.06-0650	6	650	0.4	0.150
L1770.06-0700	6	700	0.4	0.161
L1770.06-0750	6	750	0.4	0.173
L1770.06-0800	6	800	0.4	0.184
L1770.06-0850	6	850	0.4	0.196
L1770.06-0900	6	900	0.4	0.207
L1770.06-0950	6	950	0.4	0.219
L1770.06-1000	6	1000	0.4	0.230
L1770.06-1050	6	1050	0.4	0.242
L1770.06-1100	6	1100	0.4	0.253
L1770.06-1150	6	1150	0.4	0.265
L1770.06-1200	6	1200	0.4	0.276
L1770.06-1250	6	1250	0.4	0.288
L1770.06-1300	6	1300	0.4	0.299
L1770.06-1350	6	1350	0.4	0.311
L1770.06-1400	6	1400	0.4	0.322
L1770.06-1450	6	1450	0.4	0.334
L1770.06-1500	6	1500	0.4	0.345
L1770.06-1550	6	1550	0.4	0.357
L1770.06-1600	6	1600	0.4	0.368



Order No.	d ₁ tol. h6	l ₁	Depth of hardness min.	Weight kg
L1770.06-1650	6	1650	0.4	0.380
L1770.06-1700	6	1700	0.4	0.391
L1770.06-1750	6	1750	0.4	0.403
L1770.06-1800	6	1800	0.4	0.414
L1770.06-1850	6	1850	0.4	0.426
L1770.06-1900	6	1900	0.4	0.437
L1770.06-1950	6	1950	0.4	0.449
L1770.06-2000	6	2000	0.4	0.460
L1770.06-2050	6	2050	0.4	0.472
L1770.06-2100	6	2100	0.4	0.483
L1770.06-2150	6	2150	0.4	0.495
L1770.06-2200	6	2200	0.4	0.506
L1770.06-2250	6	2250	0.4	0.518
L1770.06-2300	6	2300	0.4	0.529
L1770.06-2350	6	2350	0.4	0.541
L1770.06-2400	6	2400	0.4	0.552
L1770.06-2450	6	2450	0.4	0.564
L1770.06-2500	6	2500	0.4	0.575
L1770.06-2550	6	2550	0.4	0.587
L1770.06-2600	6	2650	0.4	0.598
L1770.06-2650	6	2650	0.4	0.610
L1770.06-2700	6	2700	0.4	0.621
L1770.06-2750	6	2750	0.4	0.633
L1770.06-2800	6	2800	0.4	0.644
L1770.06-2850	6	2850	0.4	0.656
L1770.06-2900	6	2900	0.4	0.667
L1770.06-2950	6	2950	0.4	0.679
L1770.06-3000	6	3000	0.4	0.690
L1770.06-3050	6	3050	0.4	0.702
L1770.06-3100	6	3100	0.4	0.713
L1770.06-3150	6	3150	0.4	0.725
L1770.06-3200	6	3200	0.4	0.736
L1770.06-3250	6	3250	0.4	0.748
L1770.06-3300	6	3300	0.4	0.759
L1770.06-3350	6	3350	0.4	0.771
L1770.06-3400	6	3400	0.4	0.782
L1770.06-3450	6	3450	0.4	0.794
L1770.06-3500	6	3500	0.4	0.805
L1770.06-3550	6	3550	0.4	0.817
L1770.06-3600	6	3600	0.4	0.828
L1770.06-3650	6	3650	0.4	0.840
L1770.06-3700	6	3700	0.4	0.851
L1770.06-3750	6	3750	0.4	0.863
L1770.06-3800	6	3800	0.4	0.874
L1770.06-3850	6	3850	0.4	0.886
L1770.06-3900	6	3900	0.4	0.897
L1770.06-3950	6	3950	0.4	0.909
L1770.06-4000	6	4000	0.4	0.920
L1770.06-4050	6	4050	0.4	0.932
L1770.06-4100	6	4100	0.4	0.943
L1770.06-4150	6	4150	0.4	0.955
L1770.06-4200	6	4200	0.4	0.966
L1770.06-4250	6	4250	0.4	0.978
L1770.06-4300	6	4300	0.4	0.989
L1770.06-4350	6	4350	0.4	1.001
L1770.06-4400	6	4400	0.4	1.012
L1770.06-4450	6	4450	0.4	1.024
L1770.06-4500	6	4500	0.4	1.035
L1770.06-4550	6	4550	0.4	1.047
L1770.06-4600	6	4600	0.4	1.058
L1770.06-4650	6	4650	0.4	1.070
L1770.06-4700	6	4700	0.4	1.081
L1770.06-4750	6	4750	0.4	1.093
L1770.06-4800	6	4800	0.4	1.104
L1770.06-4850	6	4850	0.4	1.116
L1770.06-4900	6	4900	0.4	1.127
L1770.06-4950	6	4950	0.4	1.139
L1770.06-5000	6	5000	0.4	1.150

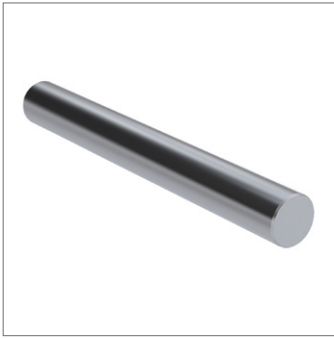


6Ø Hardened Steel Shafts

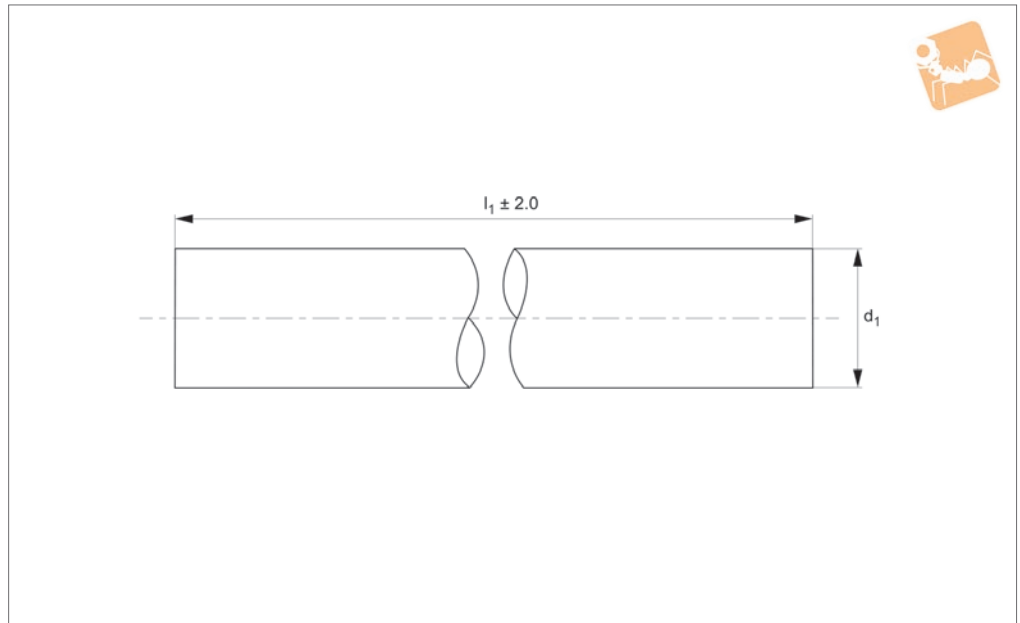
Linear Shaft Bars

Order No.	d ₁ tol. h6	l ₁	Depth of hardness min.	Weight kg
L1770.06-5050	6	5050	0.4	1.162
L1770.06-5100	6	5100	0.4	1.173
L1770.06-5150	6	5150	0.4	1.185
L1770.06-5200	6	5200	0.4	1.196
L1770.06-5250	6	5250	0.4	1.208
L1770.06-5300	6	5300	0.4	1.219
L1770.06-5350	6	5350	0.4	1.231
L1770.06-5400	6	5400	0.4	1.242
L1770.06-5450	6	5450	0.4	1.254
L1770.06-5500	6	5500	0.4	1.265
L1770.06-5550	6	5550	0.4	1.277
L1770.06-5600	6	5600	0.4	1.288
L1770.06-5650	6	5650	0.4	1.300
L1770.06-5700	6	5700	0.4	1.311
L1770.06-5750	6	5750	0.4	1.323
L1770.06-5800	6	5800	0.4	1.334
L1770.06-5850	6	5850	0.4	1.346
L1770.06-5900	6	5900	0.4	1.357
L1770.06-5950	6	5950	0.4	1.369
L1770.06-6000	6	6000	0.4	1.380

LINEAR SHAFT BARS



L1770.08



Material

Carbon steel (070M55,Cf53 - DIN 1.1213), Surface hardness 60-66 HRC. Surface finish 0.3-0.6µ Ra, ground and polished to 8-12 cla.
Yield stress: >325 N/mm², tensile strength: >630 N/mm².

Technical Notes

Tolerance, h6 standard, special tolerances upon request.
Suitable for use with linear bearings.
Straightness 0,3mm/m.

Tips

Modifications, drilled and tapped holes, retainer grooves, special coatings etc. are available.
Shaft lengths are cut to typically ± 2mm, ends are not hardened.

Order No.	d ₁ tol. h6	l ₁	Depth of hardness min.	Weight kg
L1770.08-0100	8	100	0.4	0.040
L1770.08-0150	8	150	0.4	0.060
L1770.08-0200	8	200	0.4	0.080
L1770.08-0250	8	250	0.4	0.100
L1770.08-0300	8	300	0.4	0.120
L1770.08-0350	8	350	0.4	0.140
L1770.08-0400	8	400	0.4	0.160
L1770.08-0450	8	450	0.4	0.180
L1770.08-0500	8	500	0.4	0.200
L1770.08-0550	8	550	0.4	0.220
L1770.08-0600	8	600	0.4	0.240
L1770.08-0650	8	650	0.4	0.260
L1770.08-0700	8	700	0.4	0.280
L1770.08-0750	8	750	0.4	0.300
L1770.08-0800	8	800	0.4	0.320
L1770.08-0850	8	850	0.4	0.340
L1770.08-0900	8	900	0.4	0.360
L1770.08-0950	8	950	0.4	0.380
L1770.08-1000	8	1000	0.4	0.400
L1770.08-1050	8	1050	0.4	0.420
L1770.08-1100	8	1100	0.4	0.440
L1770.08-1150	8	1150	0.4	0.460
L1770.08-1200	8	1200	0.4	0.480
L1770.08-1250	8	1250	0.4	0.500
L1770.08-1300	8	1300	0.4	0.520
L1770.08-1350	8	1350	0.4	0.540
L1770.08-1400	8	1400	0.4	0.560
L1770.08-1450	8	1450	0.4	0.580
L1770.08-1500	8	1500	0.4	0.600
L1770.08-1550	8	1550	0.4	0.620
L1770.08-1600	8	1600	0.4	0.640



8Ø Hardened Steel Shafts

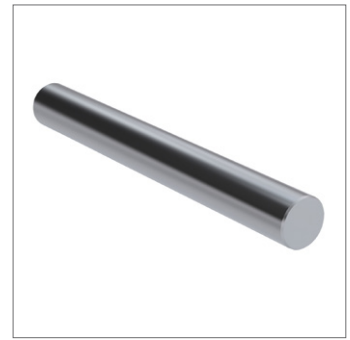
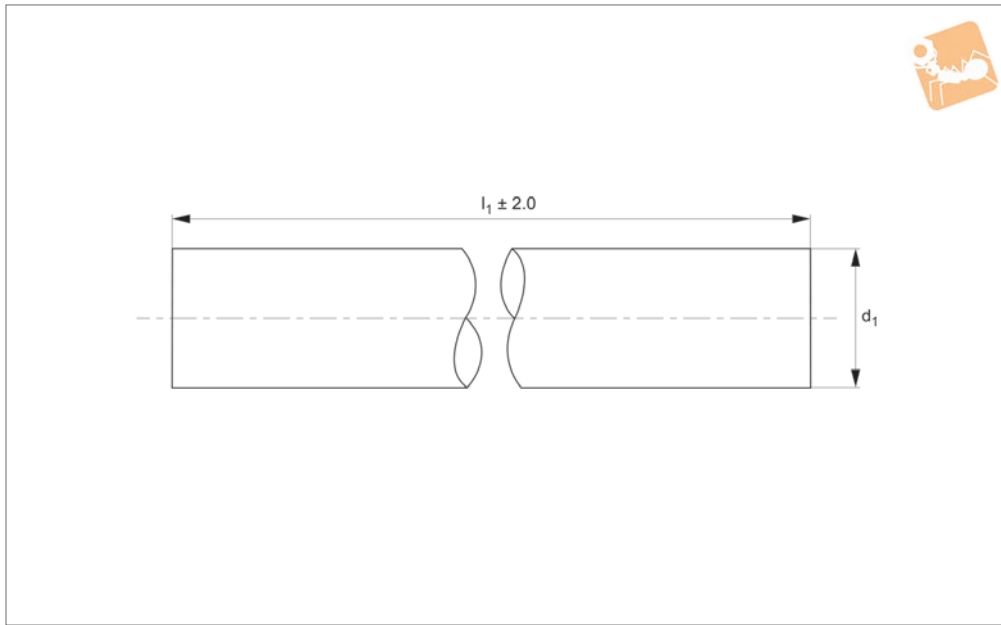
Linear Shaft Bars

Order No.	d ₁ tol. h6	l ₁	Depth of hardness min.	Weight kg
L1770.08-1650	8	1650	0.4	0.660
L1770.08-1700	8	1700	0.4	0.680
L1770.08-1750	8	1750	0.4	0.700
L1770.08-1800	8	1800	0.4	0.720
L1770.08-1850	8	1850	0.4	0.740
L1770.08-1900	8	1900	0.4	0.760
L1770.08-1950	8	1950	0.4	0.780
L1770.08-2000	8	2000	0.4	0.800
L1770.08-2050	8	2050	0.4	0.820
L1770.08-2100	8	2100	0.4	0.840
L1770.08-2150	8	2150	0.4	0.860
L1770.08-2200	8	2200	0.4	0.880
L1770.08-2250	8	2250	0.4	0.900
L1770.08-2300	8	2300	0.4	0.920
L1770.08-2350	8	2350	0.4	0.940
L1770.08-2400	8	2400	0.4	0.960
L1770.08-2450	8	2450	0.4	0.980
L1770.08-2500	8	2500	0.4	1.000
L1770.08-2550	8	2550	0.4	1.020
L1770.08-2600	8	2600	0.4	1.040
L1770.08-2650	8	2650	0.4	1.060
L1770.08-2700	8	2700	0.4	1.080
L1770.08-2750	8	2750	0.4	1.100
L1770.08-2800	8	2800	0.4	1.120
L1770.08-2850	8	2850	0.4	1.140
L1770.08-2900	8	2900	0.4	1.160
L1770.08-2950	8	2950	0.4	1.180
L1770.08-3000	8	3000	0.4	1.200
L1770.08-3050	8	3050	0.4	1.220
L1770.08-3100	8	3100	0.4	1.240
L1770.08-3150	8	3150	0.4	1.260
L1770.08-3200	8	3200	0.4	1.280
L1770.08-3250	8	3250	0.4	1.300
L1770.08-3300	8	3300	0.4	1.320
L1770.08-3350	8	3350	0.4	1.340
L1770.08-3400	8	3400	0.4	1.360
L1770.08-3450	8	3450	0.4	1.380
L1770.08-3500	8	3500	0.4	1.400
L1770.08-3550	8	3550	0.4	1.420
L1770.08-3600	8	3600	0.4	1.440
L1770.08-3650	8	3650	0.4	1.460
L1770.08-3700	8	3700	0.4	1.480
L1770.08-3750	8	3750	0.4	1.500
L1770.08-3800	8	3800	0.4	1.520
L1770.08-3850	8	3850	0.4	1.540
L1770.08-3900	8	3900	0.4	1.560
L1770.08-3950	8	3950	0.4	1.580
L1770.08-4000	8	4000	0.4	1.600
L1770.08-4050	8	4050	0.4	1.620
L1770.08-4100	8	4100	0.4	1.640
L1770.08-4150	8	4150	0.4	1.660
L1770.08-4200	8	4200	0.4	1.680
L1770.08-4250	8	4250	0.4	1.700
L1770.08-4300	8	4300	0.4	1.720
L1770.08-4350	8	4350	0.4	1.740
L1770.08-4400	8	4400	0.4	1.760
L1770.08-4450	8	4450	0.4	1.780
L1770.08-4500	8	4500	0.4	1.800
L1770.08-4550	8	4550	0.4	1.820
L1770.08-4600	8	4600	0.4	1.840
L1770.08-4650	8	4650	0.4	1.860
L1770.08-4700	8	4700	0.4	1.880
L1770.08-4750	8	4750	0.4	1.900
L1770.08-4800	8	4800	0.4	1.920
L1770.08-4850	8	4850	0.4	1.940
L1770.08-4900	8	4900	0.4	1.960
L1770.08-4950	8	4950	0.4	1.980
L1770.08-5000	8	5000	0.4	2.000

LINEAR SHAFT BARS



Order No.	d ₁ tol. h6	l ₁	Depth of hardness min.	Weight kg
L1770.08-5050	8	5050	0.4	2.020
L1770.08-5100	8	5100	0.4	2.040
L1770.08-5150	8	5150	0.4	2.060
L1770.08-5200	8	5200	0.4	2.080
L1770.08-5250	8	5250	0.4	2.100
L1770.08-5300	8	5300	0.4	2.120
L1770.08-5350	8	5350	0.4	2.140
L1770.08-5400	8	5400	0.4	2.160
L1770.08-5450	8	5450	0.4	2.180
L1770.08-5500	8	5500	0.4	2.200
L1770.08-5550	8	5550	0.4	2.220
L1770.08-5600	8	5600	0.4	2.240
L1770.08-5650	8	5650	0.4	2.260
L1770.08-5700	8	5700	0.4	2.280
L1770.08-5750	8	5750	0.4	2.300
L1770.08-5800	8	5800	0.4	2.320
L1770.08-5850	8	5850	0.4	2.340
L1770.08-5900	8	5900	0.4	2.360
L1770.08-5950	8	5950	0.4	2.380
L1770.08-6000	8	6000	0.4	2.400



L1770.10

LINEAR SHAFT BARS

Material

Carbon steel (070M55,Cf53 - DIN 1.1213), Surface hardness 60-66 HRC. Surface finish 0.3-0.6µ Ra, ground and polished to 8-12 cla. Yield stress: >325 N/mm², tensile strength: >630 N/mm².

Technical Notes

Tolerance, h6 standard, special tolerances upon request. Suitable for use with linear bearings. Straightness 0,2mm/m.

Tips

Modifications, drilled and tapped holes, retainer grooves, special coatings etc. are available. Shaft lengths are cut to typically ± 2mm, ends are not hardened.

Order No.	d ₁ tol. h6	l ₁	Depth of hardness min.	Weight kg
L1770.10-0100	10	100	0.4	0.062
L1770.10-0150	10	150	0.4	0.093
L1770.10-0200	10	200	0.4	0.124
L1770.10-0250	10	250	0.4	0.155
L1770.10-0300	10	300	0.4	0.186
L1770.10-0350	10	350	0.4	0.217
L1770.10-0400	10	400	0.4	0.248
L1770.10-0450	10	450	0.4	0.279
L1770.10-0500	10	500	0.4	0.310
L1770.10-0550	10	550	0.4	0.341
L1770.10-0600	10	600	0.4	0.372
L1770.10-0650	10	650	0.4	0.403
L1770.10-0700	10	700	0.4	0.434
L1770.10-0750	10	750	0.4	0.465
L1770.10-0800	10	800	0.4	0.496
L1770.10-0850	10	850	0.4	0.527
L1770.10-0900	10	900	0.4	0.558
L1770.10-0950	10	950	0.4	0.589
L1770.10-1000	10	1000	0.4	0.620
L1770.10-1050	10	1050	0.4	0.651
L1770.10-1100	10	1100	0.4	0.682
L1770.10-1150	10	1150	0.4	0.713
L1770.10-1200	10	1200	0.4	0.744
L1770.10-1250	10	1250	0.4	0.775
L1770.10-1300	10	1300	0.4	0.806
L1770.10-1350	10	1350	0.4	0.837
L1770.10-1400	10	1400	0.4	0.868
L1770.10-1450	10	1450	0.4	0.899
L1770.10-1500	10	1500	0.4	0.930
L1770.10-1550	10	1550	0.4	0.961
L1770.10-1600	10	1600	0.4	0.992



Order No.	d ₁ tol. h6	l ₁	Depth of hardness min.	Weight kg
L1770.10-1650	10	1650	0.4	1.023
L1770.10-1700	10	1700	0.4	1.054
L1770.10-1750	10	1750	0.4	1.085
L1770.10-1800	10	1800	0.4	1.116
L1770.10-1850	10	1850	0.4	1.147
L1770.10-1900	10	1900	0.4	1.178
L1770.10-1950	10	1950	0.4	1.209
L1770.10-2000	10	2000	0.4	1.240
L1770.10-2050	10	2050	0.4	1.271
L1770.10-2100	10	2100	0.4	1.302
L1770.10-2150	10	2150	0.4	1.333
L1770.10-2200	10	2200	0.4	1.364
L1770.10-2250	10	2250	0.4	1.395
L1770.10-2300	10	2300	0.4	1.426
L1770.10-2350	10	2350	0.4	1.457
L1770.10-2400	10	2400	0.4	1.488
L1770.10-2450	10	2450	0.4	1.519
L1770.10-2500	10	2500	0.4	1.550
L1770.10-2550	10	2550	0.4	1.581
L1770.10-2600	10	2600	0.4	1.612
L1770.10-2650	10	2650	0.4	1.643
L1770.10-2700	10	2700	0.4	1.674
L1770.10-2750	10	2750	0.4	1.705
L1770.10-2800	10	2800	0.4	1.736
L1770.10-2850	10	2850	0.4	1.767
L1770.10-2900	10	2900	0.4	1.798
L1770.10-2950	10	2950	0.4	1.829
L1770.10-3000	10	3000	0.4	1.860
L1770.10-3050	10	3050	0.4	1.891
L1770.10-3100	10	3100	0.4	1.922
L1770.10-3150	10	3150	0.4	1.953
L1770.10-3200	10	3200	0.4	1.984
L1770.10-3250	10	3250	0.4	2.015
L1770.10-3300	10	3300	0.4	2.046
L1770.10-3350	10	3350	0.4	2.077
L1770.10-3400	10	3400	0.4	2.108
L1770.10-3450	10	3450	0.4	2.139
L1770.10-3500	10	3500	0.4	2.170
L1770.10-3550	10	3550	0.4	2.201
L1770.10-3600	10	3600	0.4	2.232
L1770.10-3650	10	3650	0.4	2.263
L1770.10-3700	10	3700	0.4	2.294
L1770.10-3750	10	3750	0.4	2.325
L1770.10-3800	10	3800	0.4	2.356
L1770.10-3850	10	3850	0.4	2.387
L1770.10-3900	10	3900	0.4	2.418
L1770.10-3950	10	3950	0.4	2.449
L1770.10-4000	10	4000	0.4	2.480
L1770.10-4050	10	4050	0.4	2.511
L1770.10-4100	10	4100	0.4	2.542
L1770.10-4150	10	4150	0.4	2.573
L1770.10-4200	10	4200	0.4	2.604
L1770.10-4250	10	4250	0.4	2.635
L1770.10-4300	10	4300	0.4	2.666
L1770.10-4350	10	4350	0.4	2.697
L1770.10-4400	10	4400	0.4	2.728
L1770.10-4450	10	4450	0.4	2.759
L1770.10-4500	10	4500	0.4	2.790
L1770.10-4550	10	4550	0.4	2.821
L1770.10-4600	10	4600	0.4	2.852
L1770.10-4650	10	4650	0.4	2.883
L1770.10-4700	10	4700	0.4	2.914
L1770.10-4750	10	4750	0.4	2.945
L1770.10-4800	10	4800	0.4	2.976
L1770.10-4850	10	4850	0.4	3.007
L1770.10-4900	10	4900	0.4	3.038
L1770.10-4950	10	4950	0.4	3.069
L1770.10-5000	10	5000	0.4	3.100

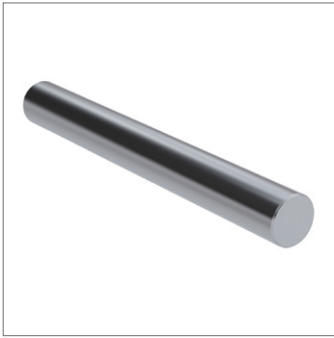


10Ø Hardened Steel Shafts

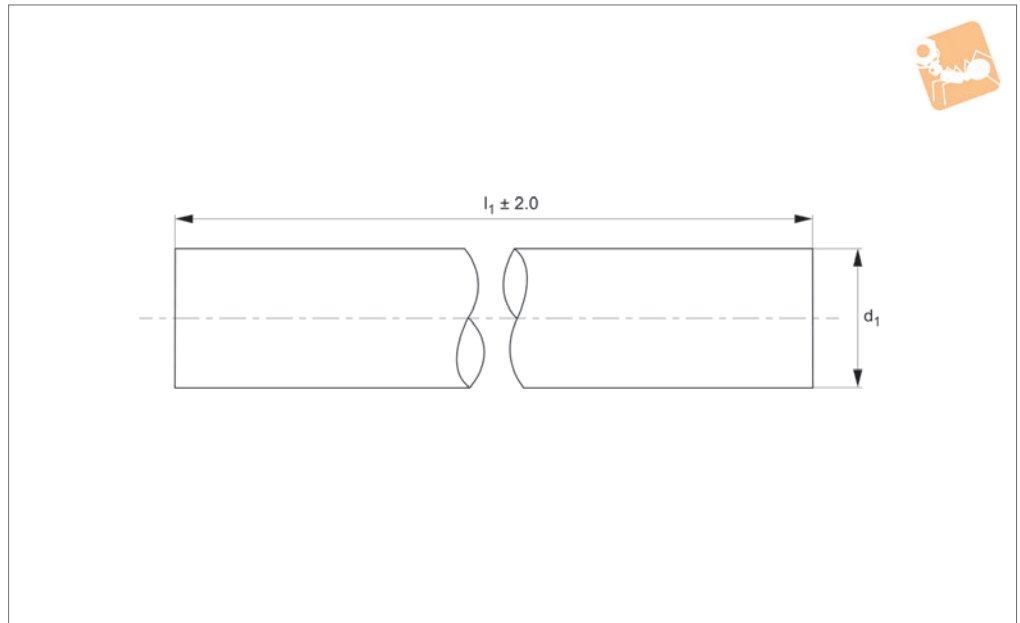
Linear Shaft Bars

Order No.	d ₁ tol. h6	l ₁	Depth of hardness min.	Weight kg
L1770.10-5050	10	5050	0.4	3.131
L1770.10-5100	10	5100	0.4	3.162
L1770.10-5150	10	5150	0.4	3.193
L1770.10-5200	10	5200	0.4	3.224
L1770.10-5250	10	5250	0.4	3.255
L1770.10-5300	10	5300	0.4	3.286
L1770.10-5350	10	5350	0.4	3.317
L1770.10-5400	10	5400	0.4	3.348
L1770.10-5450	10	5450	0.4	3.379
L1770.10-5500	10	5500	0.4	3.410
L1770.10-5550	10	5550	0.4	3.441
L1770.10-5600	10	5600	0.4	3.472
L1770.10-5650	10	5650	0.4	3.503
L1770.10-5700	10	5700	0.4	3.534
L1770.10-5750	10	5750	0.4	3.565
L1770.10-5800	10	5800	0.4	3.596
L1770.10-5850	10	5850	0.4	3.627
L1770.10-5900	10	5900	0.4	3.658
L1770.10-5950	10	5950	0.4	3.689
L1770.10-6000	10	6000	0.4	3.720

LINEAR SHAFT BARS



L1770.12



Material

Carbon steel (070M55,Cf53 - DIN 1.1213), Surface hardness 60-66 HRC. Surface finish 0.3-0.6µ Ra, ground and polished to 8-12 cla.
Yield stress: >325 N/mm², tensile strength: >630 N/mm².

Technical Notes

Tolerance, h6 standard, special tolerances upon request.
Suitable for use with linear bearings.
Straightness 0,2mm/m.

Tips

Modifications, drilled and tapped holes, retainer grooves, special coatings etc. are available.
Shaft lengths are cut to typically ± 2 mm, ends are not hardened.

Order No.	d_1 tol. h6	l_1	Depth of hardness min.	Weight kg
L1770.12-0100	12	100	0.6	0.089
L1770.12-0150	12	150	0.6	0.134
L1770.12-0200	12	200	0.6	0.178
L1770.12-0250	12	250	0.6	0.223
L1770.12-0300	12	300	0.6	0.267
L1770.12-0350	12	350	0.6	0.312
L1770.12-0400	12	400	0.6	0.356
L1770.12-0450	12	450	0.6	0.401
L1770.12-0500	12	500	0.6	0.445
L1770.12-0550	12	550	0.6	0.490
L1770.12-0600	12	600	0.6	0.534
L1770.12-0650	12	650	0.6	0.579
L1770.12-0700	12	700	0.6	0.623
L1770.12-0750	12	750	0.6	0.668
L1770.12-0800	12	800	0.6	0.712
L1770.12-0850	12	850	0.6	0.757
L1770.12-0900	12	900	0.6	0.801
L1770.12-0950	12	950	0.6	0.846
L1770.12-1000	12	1000	0.6	0.890
L1770.12-1050	12	1050	0.6	0.935
L1770.12-1100	12	1100	0.6	0.979
L1770.12-1150	12	1150	0.6	1.024
L1770.12-1200	12	1200	0.6	1.068
L1770.12-1250	12	1250	0.6	1.113
L1770.12-1300	12	1300	0.6	1.157
L1770.12-1350	12	1350	0.6	1.202
L1770.12-1400	12	1400	0.6	1.246
L1770.12-1450	12	1450	0.6	1.291
L1770.12-1500	12	1500	0.6	1.335
L1770.12-1550	12	1550	0.6	1.380
L1770.12-1600	12	1600	0.6	1.424



12Ø Hardened Steel Shafts

Linear Shaft Bars

Order No.	d ₁ tol. h6	l ₁	Depth of hardness min.	Weight kg
L1770.12-1650	12	1650	0.6	1.469
L1770.12-1700	12	1700	0.6	1.513
L1770.12-1750	12	1750	0.6	1.558
L1770.12-1800	12	1800	0.6	1.602
L1770.12-1850	12	1850	0.6	1.647
L1770.12-1900	12	1900	0.6	1.691
L1770.12-1950	12	1950	0.6	1.736
L1770.12-2000	12	2000	0.6	1.780
L1770.12-2050	12	2050	0.6	1.825
L1770.12-2100	12	2100	0.6	1.869
L1770.12-2150	12	2150	0.6	1.914
L1770.12-2200	12	2200	0.6	1.958
L1770.12-2250	12	2500	0.6	2.003
L1770.12-2300	12	2300	0.6	2.047
L1770.12-2350	12	2350	0.6	2.092
L1770.12-2400	12	2400	0.6	2.136
L1770.12-2450	12	2450	0.6	2.181
L1770.12-2500	12	2500	0.6	2.225
L1770.12-2550	12	2550	0.6	2.270
L1770.12-2600	12	2600	0.6	2.314
L1770.12-2650	12	2650	0.6	2.359
L1770.12-2700	12	2700	0.6	2.403
L1770.12-2750	12	2750	0.6	2.448
L1770.12-2800	12	2800	0.6	2.492
L1770.12-2850	12	2850	0.6	2.537
L1770.12-2900	12	2900	0.6	2.581
L1770.12-2950	12	2950	0.6	2.626
L1770.12-3000	12	3000	0.6	2.670
L1770.12-3050	12	3050	0.6	2.715
L1770.12-3100	12	3100	0.6	2.759
L1770.12-3150	12	3150	0.6	2.804
L1770.12-3200	12	3200	0.6	2.848
L1770.12-3250	12	3250	0.6	2.893
L1770.12-3300	12	3300	0.6	2.937
L1770.12-3350	12	3350	0.6	2.982
L1770.12-3400	12	3400	0.6	3.026
L1770.12-3450	12	3450	0.6	3.071
L1770.12-3500	12	3500	0.6	3.115
L1770.12-3550	12	3550	0.6	3.160
L1770.12-3600	12	3600	0.6	3.204
L1770.12-3650	12	3650	0.6	3.249
L1770.12-3700	12	3700	0.6	3.293
L1770.12-3750	12	3750	0.6	3.338
L1770.12-3800	12	3800	0.6	3.382
L1770.12-3850	12	3850	0.6	3.427
L1770.12-3900	12	3900	0.6	3.471
L1770.12-3950	12	3950	0.6	3.516
L1770.12-4000	12	4000	0.6	3.560
L1770.12-4050	12	4050	0.6	3.605
L1770.12-4100	12	4100	0.6	3.649
L1770.12-4150	12	4150	0.6	3.694
L1770.12-4200	12	4200	0.6	3.738
L1770.12-4250	12	4250	0.6	3.783
L1770.12-4300	12	4300	0.6	3.827
L1770.12-4350	12	4350	0.6	3.872
L1770.12-4400	12	4400	0.6	3.916
L1770.12-4450	12	4450	0.6	3.961
L1770.12-4500	12	4500	0.6	4.005
L1770.12-4550	12	4550	0.6	4.050
L1770.12-4600	12	4600	0.6	4.094
L1770.12-4650	12	4650	0.6	4.139
L1770.12-4700	12	4700	0.6	4.183
L1770.12-4750	12	4750	0.6	4.228
L1770.12-4800	12	4800	0.6	4.272
L1770.12-4850	12	4850	0.6	4.317
L1770.12-4900	12	4900	0.6	4.361
L1770.12-4950	12	4950	0.6	4.406
L1770.12-5000	12	5000	0.6	4.450

LINEAR SHAFT BARS

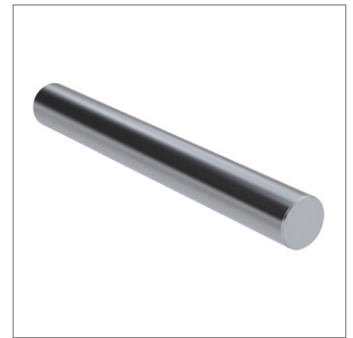
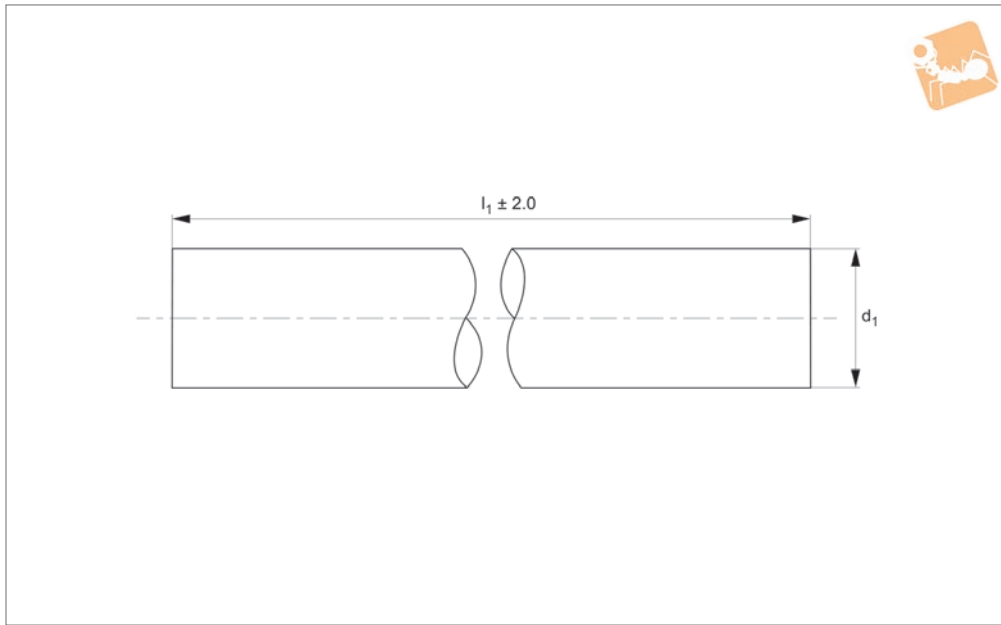


Order No.	d ₁ tol. h6	l ₁	Depth of hardness min.	Weight kg
L1770.12-5050	12	5050	0.6	4.495
L1770.12-5100	12	5100	0.6	4.539
L1770.12-5150	12	5150	0.6	4.584
L1770.12-5200	12	5200	0.6	4.628
L1770.12-5250	12	5250	0.6	4.673
L1770.12-5300	12	5300	0.6	4.717
L1770.12-5350	12	5350	0.6	4.762
L1770.12-5400	12	5400	0.6	4.806
L1770.12-5450	12	5450	0.6	4.851
L1770.12-5500	12	5500	0.6	4.895
L1770.12-5550	12	5550	0.6	4.940
L1770.12-5600	12	5600	0.6	4.984
L1770.12-5650	12	5650	0.6	5.029
L1770.12-5700	12	5700	0.6	5.073
L1770.12-5750	12	5750	0.6	5.118
L1770.12-5800	12	5800	0.6	5.162
L1770.12-5850	12	5850	0.6	5.207
L1770.12-5900	12	5900	0.6	5.251
L1770.12-5950	12	5950	0.6	5.296
L1770.12-6000	12	6000	0.6	5.340



16Ø Hardened Steel Shafts

Linear Shaft Bars



L1770.16

LINEAR SHAFT BARS

Material

Carbon steel (070M55,Cf53 - DIN 1.1213), Surface hardness 60-66 HRC. Surface finish 0.3-0.6µ Ra, ground and polished to 8-12 cla. Yield stress: >325 N/mm², tensile strength: >630 N/mm².

Technical Notes

Tolerance, h6 standard, special tolerances upon request. Suitable for use with linear bearings. Straightness 0,2mm/m.

Tips

Modifications, drilled and tapped holes, retainer grooves, special coatings etc. are available. Shaft lengths are cut to typically ± 2 mm, ends are not hardened.

Order No.	d ₁ tol. h6	l ₁	Depth of hardness min.	Weight kg
L1770.16-0100	16	100	0.6	0.158
L1770.16-0150	16	150	0.6	0.237
L1770.16-0200	16	200	0.6	0.316
L1770.16-0250	16	250	0.6	0.395
L1770.16-0300	16	300	0.6	0.474
L1770.16-0350	16	350	0.6	0.553
L1770.16-0400	16	400	0.6	0.632
L1770.16-0450	16	450	0.6	0.711
L1770.16-0500	16	500	0.6	0.790
L1770.16-0550	16	550	0.6	0.869
L1770.16-0600	16	600	0.6	0.948
L1770.16-0650	16	650	0.6	1.027
L1770.16-0700	16	700	0.6	1.106
L1770.16-0750	16	750	0.6	1.185
L1770.16-0800	16	800	0.6	1.264
L1770.16-0850	16	850	0.6	1.343
L1770.16-0900	16	900	0.6	1.422
L1770.16-0950	16	950	0.6	1.501
L1770.16-1000	16	1000	0.6	1.580
L1770.16-1050	16	1050	0.6	1.659
L1770.16-1100	16	1100	0.6	1.738
L1770.16-1150	16	1150	0.6	1.817
L1770.16-1200	16	1200	0.6	1.896
L1770.16-1250	16	1250	0.6	1.975
L1770.16-1300	16	1300	0.6	2.054
L1770.16-1350	16	1350	0.6	2.133
L1770.16-1400	16	1400	0.6	2.212
L1770.16-1450	16	1450	0.6	2.291
L1770.16-1500	16	1500	0.6	2.370
L1770.16-1550	16	1550	0.6	2.449
L1770.16-1600	16	1600	0.6	2.528



Order No.	d ₁ tol. h6	l ₁	Depth of hardness min.	Weight kg
L1770.16-1650	16	1650	0.6	2.607
L1770.16-1700	16	1700	0.6	2.686
L1770.16-1750	16	1750	0.6	2.765
L1770.16-1800	16	1800	0.6	2.844
L1770.16-1850	16	1850	0.6	2.923
L1770.16-1900	16	1900	0.6	3.002
L1770.16-1950	16	1950	0.6	3.081
L1770.16-2000	16	2000	0.6	3.160
L1770.16-2050	16	2050	0.6	3.239
L1770.16-2100	16	2100	0.6	3.318
L1770.16-2150	16	2150	0.6	3.397
L1770.16-2200	16	2200	0.6	3.476
L1770.16-2250	16	2250	0.6	3.555
L1770.16-2300	16	2300	0.6	3.634
L1770.16-2350	16	2350	0.6	3.713
L1770.16-2400	16	2400	0.6	3.792
L1770.16-2450	16	2450	0.6	3.871
L1770.16-2500	16	2500	0.6	3.950
L1770.16-2550	16	2550	0.6	4.029
L1770.16-2600	16	2600	0.6	4.108
L1770.16-2650	16	2650	0.6	4.187
L1770.16-2700	16	2700	0.6	4.266
L1770.16-2750	16	2750	0.6	4.345
L1770.16-2800	16	2800	0.6	4.424
L1770.16-2850	16	2850	0.6	4.503
L1770.16-2900	16	2900	0.6	4.582
L1770.16-2950	16	2950	0.6	4.661
L1770.16-3000	16	3000	0.6	4.740
L1770.16-3050	16	3050	0.6	4.819
L1770.16-3100	16	3100	0.6	4.898
L1770.16-3150	16	3150	0.6	4.977
L1770.16-3200	16	3200	0.6	5.056
L1770.16-3250	16	3250	0.6	5.135
L1770.16-3300	16	3300	0.6	5.214
L1770.16-3350	16	3350	0.6	5.293
L1770.16-3400	16	3400	0.6	5.372
L1770.16-3450	16	3450	0.6	5.451
L1770.16-3500	16	3500	0.6	5.530
L1770.16-3550	16	3550	0.6	5.609
L1770.16-3600	16	3600	0.6	5.688
L1770.16-3650	16	3650	0.6	5.767
L1770.16-3700	16	3700	0.6	5.846
L1770.16-3750	16	3750	0.6	5.925
L1770.16-3800	16	3800	0.6	6.004
L1770.16-3850	16	3850	0.6	6.083
L1770.16-3900	16	3900	0.6	6.162
L1770.16-3950	16	3950	0.6	6.241
L1770.16-4000	16	4000	0.6	6.320
L1770.16-4050	16	4050	0.6	6.399
L1770.16-4100	16	4100	0.6	6.478
L1770.16-4150	16	4150	0.6	6.557
L1770.16-4200	16	4200	0.6	6.636
L1770.16-4250	16	4250	0.6	6.715
L1770.16-4300	16	4300	0.6	6.794
L1770.16-4350	16	4350	0.6	6.873
L1770.16-4400	16	4400	0.6	6.952
L1770.16-4450	16	4450	0.6	7.031
L1770.16-4500	16	4500	0.6	7.110
L1770.16-4550	16	4550	0.6	7.189
L1770.16-4600	16	4600	0.6	7.268
L1770.16-4650	16	4650	0.6	7.347
L1770.16-4700	16	4700	0.6	7.426
L1770.16-4750	16	4750	0.6	7.505
L1770.16-4800	16	4800	0.6	7.584
L1770.16-4850	16	4850	0.6	7.663
L1770.16-4900	16	4900	0.6	7.742
L1770.16-4950	16	4950	0.6	7.821
L1770.16-5000	16	5000	0.6	7.900



16Ø Hardened Steel Shafts

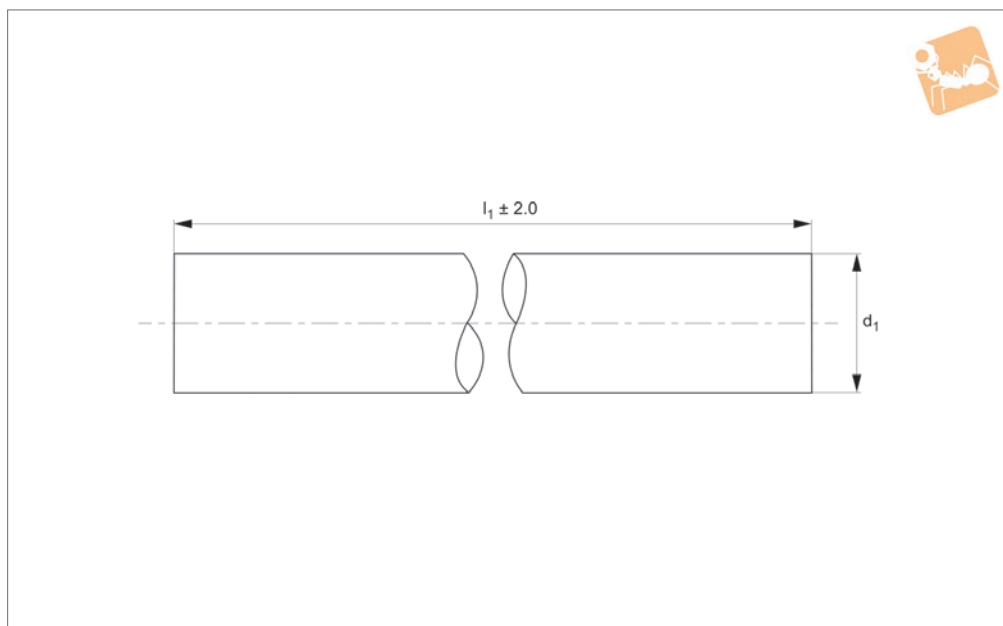
Linear Shaft Bars

Order No.	d ₁ tol. h6	l ₁	Depth of hardness min.	Weight kg
L1770.16-5050	16	5050	0.6	7.979
L1770.16-5100	16	5100	0.6	8.058
L1770.16-5150	16	5150	0.6	8.137
L1770.16-5200	16	5200	0.6	8.216
L1770.16-5250	16	5250	0.6	8.295
L1770.16-5300	16	5300	0.6	8.374
L1770.16-5350	16	5350	0.6	8.453
L1770.16-5400	16	5400	0.6	8.532
L1770.16-5450	16	5450	0.6	8.611
L1770.16-5500	16	5500	0.6	8.690
L1770.16-5550	16	5550	0.6	8.769
L1770.16-5600	16	5600	0.6	8.848
L1770.16-5650	16	5650	0.6	8.927
L1770.16-5700	16	5700	0.6	9.006
L1770.16-5750	16	5750	0.6	9.085
L1770.16-5800	16	5800	0.6	9.164
L1770.16-5850	16	5850	0.6	9.243
L1770.16-5900	16	5900	0.6	9.322
L1770.16-5950	16	5950	0.6	9.401
L1770.16-6000	16	6000	0.6	9.480

LINEAR SHAFT BARS



L1770.20



Material

Carbon steel (070M55,Cf53 - DIN 1.1213), Surface hardness 60-66 HRC. Surface finish 0.3-0.6µ Ra, ground and polished to 8-12 cla.
Yield stress: >325 N/mm², tensile strength: >630 N/mm².

Technical Notes

Tolerance, h6 standard, special tolerances upon request.
Suitable for use with linear bearings.
Straightness 0,2mm/m.

Tips

Modifications, drilled and tapped holes, retainer grooves, special coatings etc. are available.
Shaft lengths are cut to typically ± 2mm, ends are not hardened.

Order No.	d ₁ tol. h6	l ₁	Depth of hardness min.	Weight kg
L1770.20-0100	20	100	0.9	0.247
L1770.20-0150	20	150	0.9	0.371
L1770.20-0200	20	200	0.9	0.494
L1770.20-0250	20	250	0.9	0.618
L1770.20-0300	20	300	0.9	0.741
L1770.20-0350	20	350	0.9	0.865
L1770.20-0400	20	400	0.9	0.988
L1770.20-0450	20	450	0.9	1.112
L1770.20-0500	20	500	0.9	1.235
L1770.20-0550	20	550	0.9	1.359
L1770.20-0600	20	600	0.9	1.482
L1770.20-0650	20	650	0.9	1.606
L1770.20-0700	20	700	0.9	1.729
L1770.20-0750	20	750	0.9	1.853
L1770.20-0800	20	800	0.9	1.976
L1770.20-0850	20	850	0.9	2.100
L1770.20-0900	20	900	0.9	2.223
L1770.20-0950	20	950	0.9	2.347
L1770.20-1000	20	1000	0.9	2.470
L1770.20-1050	20	1050	0.9	2.594
L1770.20-1100	20	1100	0.9	2.717
L1770.20-1150	20	1150	0.9	2.841
L1770.20-1200	20	1200	0.9	2.964
L1770.20-1250	20	1250	0.9	3.088
L1770.20-1300	20	1300	0.9	3.211
L1770.20-1350	20	1350	0.9	3.335
L1770.20-1400	20	1400	0.9	3.458
L1770.20-1450	20	1450	0.9	3.582
L1770.20-1500	20	1500	0.9	3.705
L1770.20-1550	20	1550	0.9	3.829
L1770.20-1600	20	1600	0.9	3.952



20Ø Hardened Steel Shafts

Linear Shaft Bars



Order No.	d ₁ tol. h6	l ₁	Depth of hardness min.	Weight kg
L1770.20-1650	20	1650	0.9	4.076
L1770.20-1700	20	1700	0.9	4.199
L1770.20-1750	20	1750	0.9	4.323
L1770.20-1800	20	1800	0.9	4.446
L1770.20-1850	20	1850	0.9	4.570
L1770.20-1900	20	1900	0.9	4.693
L1770.20-1950	20	1950	0.9	4.817
L1770.20-2000	20	2000	0.9	4.940
L1770.20-2050	20	2050	0.9	5.064
L1770.20-2100	20	2100	0.9	5.187
L1770.20-2150	20	2150	0.9	5.311
L1770.20-2200	20	2200	0.9	5.434
L1770.20-2250	20	2250	0.9	5.558
L1770.20-2300	20	2300	0.9	5.681
L1770.20-2350	20	2350	0.9	5.805
L1770.20-2400	20	2400	0.9	5.928
L1770.20-2450	20	2450	0.9	6.052
L1770.20-2500	20	2500	0.9	6.175
L1770.20-2550	20	2550	0.9	6.299
L1770.20-2600	20	2600	0.9	6.422
L1770.20-2650	20	2650	0.9	6.546
L1770.20-2700	20	2700	0.9	6.669
L1770.20-2750	20	2750	0.9	6.793
L1770.20-2800	20	2800	0.9	6.916
L1770.20-2850	20	2850	0.9	7.040
L1770.20-2900	20	2900	0.9	7.163
L1770.20-2950	20	2950	0.9	7.287
L1770.20-3000	20	3000	0.9	7.410
L1770.20-3050	20	3050	0.9	7.534
L1770.20-3100	20	3100	0.9	7.657
L1770.20-3150	20	3150	0.9	7.781
L1770.20-3200	20	3200	0.9	7.904
L1770.20-3250	20	3250	0.9	8.028
L1770.20-3300	20	3300	0.9	8.151
L1770.20-3350	20	3350	0.9	8.275
L1770.20-3400	20	3400	0.9	8.398
L1770.20-3450	20	3450	0.9	8.522
L1770.20-3500	20	3500	0.9	8.645
L1770.20-3550	20	3550	0.9	8.769
L1770.20-3600	20	3600	0.9	8.892
L1770.20-3650	20	3650	0.9	9.016
L1770.20-3700	20	3700	0.9	9.139
L1770.20-3750	20	3750	0.9	9.263
L1770.20-3800	20	3800	0.9	9.386
L1770.20-3850	20	3850	0.9	9.510
L1770.20-3900	20	3900	0.9	9.633
L1770.20-3950	20	3950	0.9	9.757
L1770.20-4000	20	4000	0.9	9.880
L1770.20-4050	20	4050	0.9	10.004
L1770.20-4100	20	4100	0.9	10.127
L1770.20-4150	20	4150	0.9	10.251
L1770.20-4200	20	4200	0.9	10.374
L1770.20-4250	20	4250	0.9	10.498
L1770.20-4300	20	4300	0.9	10.621
L1770.20-4350	20	4350	0.9	10.745
L1770.20-4400	20	4400	0.9	10.868
L1770.20-4450	20	4450	0.9	10.992
L1770.20-4500	20	4500	0.9	11.115
L1770.20-4550	20	4550	0.9	11.239
L1770.20-4600	20	4600	0.9	11.362
L1770.20-4650	20	4650	0.9	11.486
L1770.20-4700	20	4700	0.9	11.609
L1770.20-4750	20	4750	0.9	11.733
L1770.20-4800	20	4800	0.9	11.856
L1770.20-4850	20	4850	0.9	11.980
L1770.20-4900	20	4900	0.9	12.103
L1770.20-4950	20	4950	0.9	12.227
L1770.20-5000	20	5000	0.9	12.350

LINEAR SHAFT BARS

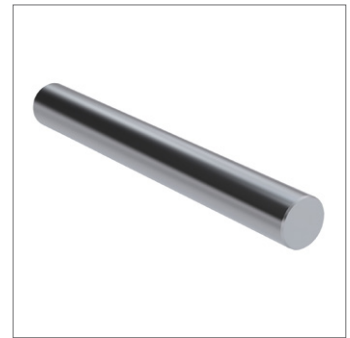
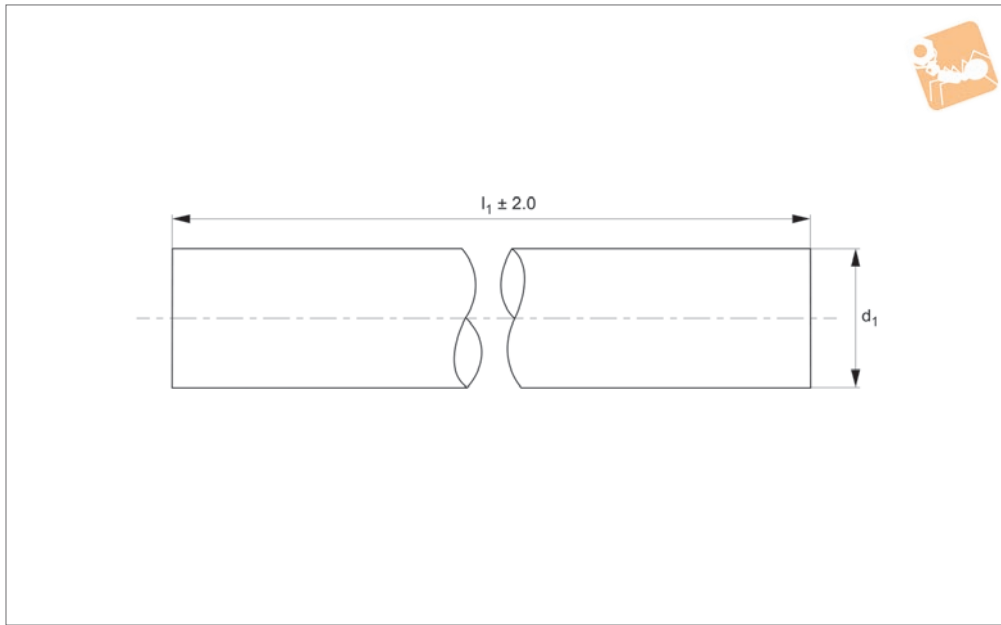


Order No.	d ₁ tol. h6	l ₁	Depth of hardness min.	Weight kg
L1770.20-5050	20	5050	0.9	12.474
L1770.20-5100	20	5100	0.9	12.597
L1770.20-5150	20	5150	0.9	12.721
L1770.20-5200	20	5200	0.9	12.844
L1770.20-5250	20	5250	0.9	12.968
L1770.20-5300	20	5300	0.9	13.091
L1770.20-5350	20	5350	0.9	13.215
L1770.20-5400	20	5400	0.9	13.338
L1770.20-5450	20	5450	0.9	13.462
L1770.20-5500	20	5500	0.9	13.585
L1770.20-5550	20	5550	0.9	13.709
L1770.20-5600	20	5600	0.9	13.832
L1770.20-5650	20	5650	0.9	13.956
L1770.20-5700	20	5700	0.9	14.079
L1770.20-5750	20	5750	0.9	14.203
L1770.20-5800	20	5800	0.9	14.326
L1770.20-5850	20	5850	0.9	14.450
L1770.20-5900	20	5900	0.9	14.573
L1770.20-5950	20	5950	0.9	14.697
L1770.20-6000	20	6000	0.9	14.820



25Ø Hardened Steel Shafts

Linear Shaft Bars



L1770.25

LINEAR SHAFT BARS

Material

Carbon steel (070M55,Cf53 - DIN 1.1213), Surface hardness 60-66 HRC. Surface finish 0.3-0.6µ Ra, ground and polished to 8-12 cla. Yield stress: >325 N/mm², tensile strength: >630 N/mm².

Technical Notes

Tolerance, h6 standard, special tolerances upon request. Suitable for use with linear bearings. Straightness 0,1mm/m.

Tips

Modifications, drilled and tapped holes, retainer grooves, special coatings etc. are available. Shaft lengths are cut to typically ± 2mm, ends are not hardened.

Order No.	d ₁	l ₁	Depth of hardness min.	Weight kg
L1770.25-0100	25	100	0.9	0.385
L1770.25-0150	25	150	0.9	0.578
L1770.25-0200	25	200	0.9	0.770
L1770.25-0250	25	250	0.9	0.963
L1770.25-0300	25	300	0.9	1.155
L1770.25-0350	25	350	0.9	1.348
L1770.25-0400	25	400	0.9	1.540
L1770.25-0450	25	450	0.9	1.733
L1770.25-0500	25	500	0.9	1.925
L1770.25-0550	25	550	0.9	2.118
L1770.25-0600	25	600	0.9	2.310
L1770.25-0650	25	650	0.9	2.503
L1770.25-0700	25	700	0.9	2.695
L1770.25-0750	25	750	0.9	2.888
L1770.25-0800	25	800	0.9	3.080
L1770.25-0850	25	850	0.9	3.273
L1770.25-0900	25	900	0.9	3.465
L1770.25-0950	25	950	0.9	3.658
L1770.25-1000	25	1000	0.9	3.850
L1770.25-1050	25	1050	0.9	4.043
L1770.25-1100	25	1100	0.9	4.235
L1770.25-1150	25	1150	0.9	4.428
L1770.25-1200	25	1200	0.9	4.620
L1770.25-1250	25	1250	0.9	4.813
L1770.25-1300	25	1300	0.9	5.005
L1770.25-1350	25	1350	0.9	5.198
L1770.25-1400	25	1400	0.9	5.390
L1770.25-1450	25	1450	0.9	5.583
L1770.25-1500	25	1500	0.9	5.775
L1770.25-1550	25	1550	0.9	5.968
L1770.25-1600	25	1600	0.9	6.160



Order No.	d ₁	l ₁	Depth of hardness min.	Weight kg
L1770.25-1650	25	1650	0.9	6.353
L1770.25-1700	25	1700	0.9	6.545
L1770.25-1750	25	1750	0.9	6.738
L1770.25-1800	25	1800	0.9	6.930
L1770.25-1850	25	1850	0.9	7.123
L1770.25-1900	25	1900	0.9	7.315
L1770.25-1950	25	1950	0.9	7.508
L1770.25-2000	25	2000	0.9	7.700
L1770.25-2050	25	2050	0.9	7.893
L1770.25-2100	25	2100	0.9	8.085
L1770.25-2150	25	2150	0.9	8.278
L1770.25-2200	25	2200	0.9	8.470
L1770.25-2250	25	2250	0.9	8.663
L1770.25-2300	25	2300	0.9	8.855
L1770.25-2350	25	2350	0.9	9.048
L1770.25-2400	25	2400	0.9	9.240
L1770.25-2450	25	2450	0.9	9.433
L1770.25-2500	25	2500	0.9	9.625
L1770.25-2550	25	2550	0.9	9.818
L1770.25-2600	25	2600	0.9	10.010
L1770.25-2650	25	2650	0.9	10.203
L1770.25-2700	25	2700	0.9	10.395
L1770.25-2750	25	2750	0.9	10.588
L1770.25-2800	25	2800	0.9	10.780
L1770.25-2850	25	2850	0.9	10.973
L1770.25-2900	25	2900	0.9	11.165
L1770.25-2950	25	2950	0.9	11.358
L1770.25-3000	25	3000	0.9	11.550
L1770.25-3050	25	3050	0.9	11.743
L1770.25-3100	25	3100	0.9	11.935
L1770.25-3150	25	3150	0.9	12.128
L1770.25-3200	25	3200	0.9	12.320
L1770.25-3250	25	3250	0.9	12.513
L1770.25-3300	25	3300	0.9	12.705
L1770.25-3350	25	3350	0.9	12.898
L1770.25-3400	25	3400	0.9	13.090
L1770.25-3450	25	3450	0.9	13.283
L1770.25-3500	25	3500	0.9	13.475
L1770.25-3550	25	3550	0.9	13.668
L1770.25-3600	25	3600	0.9	13.860
L1770.25-3650	25	3650	0.9	14.053
L1770.25-3700	25	3700	0.9	14.245
L1770.25-3750	25	3750	0.9	14.438
L1770.25-3800	25	3800	0.9	14.630
L1770.25-3850	25	3850	0.9	14.823
L1770.25-3900	25	3900	0.9	15.015
L1770.25-3950	25	3950	0.9	15.208
L1770.25-4000	25	4000	0.9	15.400
L1770.25-4050	25	4050	0.9	15.593
L1770.25-4100	25	4100	0.9	15.785
L1770.25-4150	25	4150	0.9	15.978
L1770.25-4200	25	4200	0.9	16.170
L1770.25-4250	25	4250	0.9	16.363
L1770.25-4300	25	4300	0.9	16.555
L1770.25-4350	25	4350	0.9	16.748
L1770.25-4400	25	4400	0.9	16.940
L1770.25-4450	25	4450	0.9	17.133
L1770.25-4500	25	4500	0.9	17.325
L1770.25-4550	25	4550	0.9	17.518
L1770.25-4600	25	4600	0.9	17.710
L1770.25-4650	25	4650	0.9	17.903
L1770.25-4700	25	4700	0.9	18.095
L1770.25-4750	25	4750	0.9	18.288
L1770.25-4800	25	4800	0.9	18.480
L1770.25-4850	25	4850	0.9	18.673
L1770.25-4900	25	4900	0.9	18.865
L1770.25-4950	25	4950	0.9	19.058
L1770.25-5000	25	5000	0.9	19.250



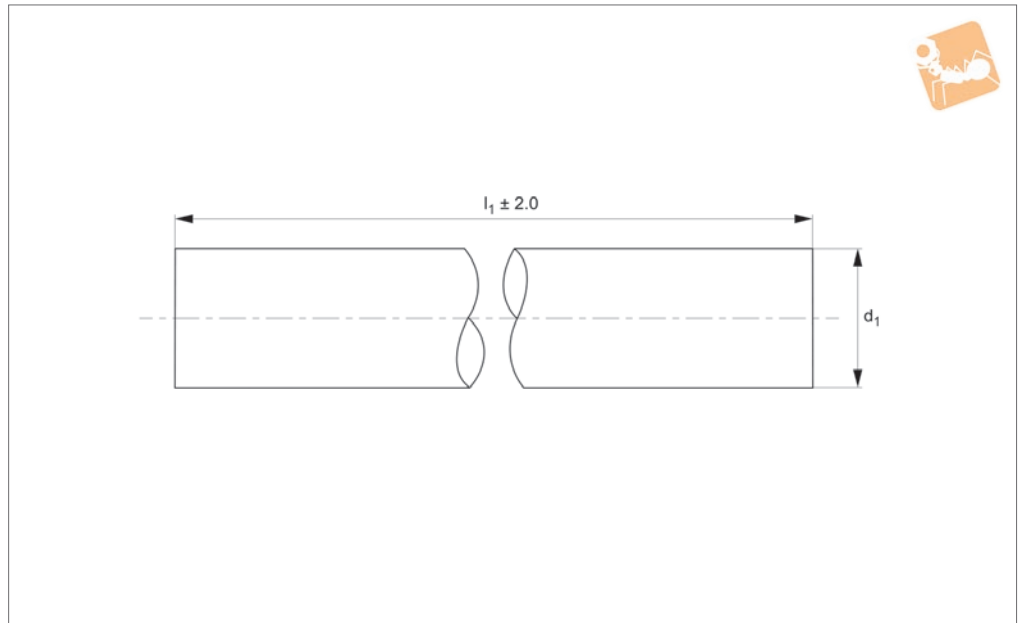
25Ø Hardened Steel Shafts

Linear Shaft Bars

Order No.	d ₁	l ₁	Depth of hardness min.	Weight kg
L1770.25-5050	25	5050	0.9	19.443
L1770.25-5100	25	5100	0.9	19.635
L1770.25-5150	25	5150	0.9	19.828
L1770.25-5200	25	5200	0.9	20.020
L1770.25-5250	25	5250	0.9	20.213
L1770.25-5300	25	5300	0.9	20.405
L1770.25-5350	25	5350	0.9	20.598
L1770.25-5400	25	5400	0.9	20.790
L1770.25-5450	25	5450	0.9	20.983
L1770.25-5500	25	5500	0.9	21.175
L1770.25-5550	25	5550	0.9	21.368
L1770.25-5600	25	5600	0.9	21.560
L1770.25-5650	25	5650	0.9	21.753
L1770.25-5700	25	5700	0.9	21.945
L1770.25-5750	25	5750	0.9	22.138
L1770.25-5800	25	5800	0.9	22.330
L1770.25-5850	25	5850	0.9	22.523
L1770.25-5900	25	5900	0.9	22.715
L1770.25-5950	25	5950	0.9	22.908
L1770.25-6000	25	6000	0.9	23.100



L1770.30



Material

Carbon steel (070M55, Cf53 - DIN 1.1213), Surface hardness 60-66 HRC. Surface finish 0.3-0.6 μ Ra, ground and polished to 8-12 cla.
Yield stress: >325 N/mm², tensile strength: >630 N/mm².

Technical Notes

Tolerance, h6 standard, special tolerances upon request.
Suitable for use with linear bearings.
Straightness 0,1mm/m.

Tips

Modifications, drilled and tapped holes, retainer grooves, special coatings etc. are available.
Shaft lengths are cut to typically ± 2 mm, ends are not hardened.

Order No.	d_1	l	l_1	Depth of hardness min.	Weight kg
L1770.30-0100	30	100	100	1.5	0.555
L1770.30-0150	30	150	150	1.5	0.833
L1770.30-0200	30	200	200	1.5	1.110
L1770.30-0250	30	250	250	1.5	1.388
L1770.30-0300	30	300	300	1.5	1.665
L1770.30-0350	30	350	350	1.5	1.943
L1770.30-0400	30	400	400	1.5	2.220
L1770.30-0450	30	450	450	1.5	2.498
L1770.30-0500	30	500	500	1.5	2.775
L1770.30-0550	30	550	550	1.5	3.053
L1770.30-0600	30	600	600	1.5	3.330
L1770.30-0650	30	650	650	1.5	3.608
L1770.30-0700	30	700	700	1.5	3.885
L1770.30-0750	30	750	750	1.5	4.163
L1770.30-0800	30	800	800	1.5	4.440
L1770.30-0850	30	-	850	1.5	4.718
L1770.30-0900	30	-	900	1.5	4.995
L1770.30-0950	30	-	950	1.5	5.273
L1770.30-1000	30	-	1000	1.5	5.550
L1770.30-1050	30	-	1050	1.5	5.828
L1770.30-1100	30	-	1100	1.5	6.105
L1770.30-1150	30	-	1150	1.5	6.383
L1770.30-1200	30	-	1200	1.5	6.660
L1770.30-1250	30	-	1250	1.5	6.938
L1770.30-1300	30	-	1300	1.5	7.215
L1770.30-1350	30	-	1350	1.5	7.493
L1770.30-1400	30	-	1400	1.5	7.770
L1770.30-1450	30	-	1450	1.5	8.048
L1770.30-1500	30	-	1500	1.5	8.325
L1770.30-1550	30	-	1550	1.5	8.603
L1770.30-1600	30	-	1600	1.5	8.880



30Ø Hardened Steel Shafts

Linear Shaft Bars

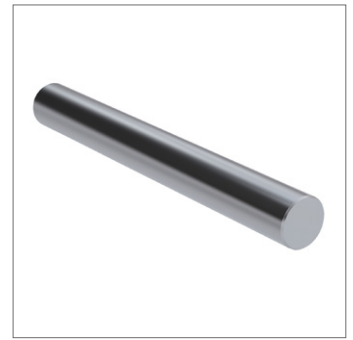
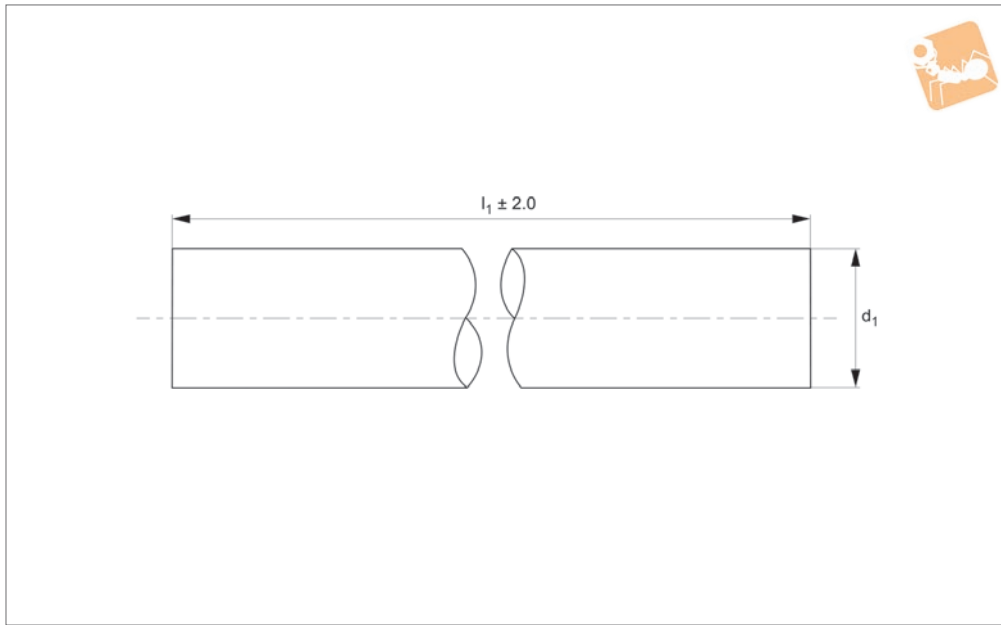


Order No.	d ₁	l	l ₁	Depth of hardness min.	Weight kg
L1770.30-1650	30	-	1650	1.5	9.158
L1770.30-1700	30	-	1700	1.5	9.435
L1770.30-1750	30	-	1750	1.5	9.713
L1770.30-1800	30	-	1800	1.5	9.990
L1770.30-1850	30	-	1850	1.5	10.268
L1770.30-1900	30	-	1900	1.5	10.545
L1770.30-1950	30	-	1950	1.5	10.823
L1770.30-2000	30	-	2000	1.5	11.100
L1770.30-2050	30	-	2050	1.5	11.378
L1770.30-2100	30	-	2100	1.5	11.655
L1770.30-2150	30	-	2150	1.5	11.933
L1770.30-2200	30	-	2200	1.5	12.210
L1770.30-2250	30	-	2250	1.5	12.488
L1770.30-2300	30	-	2300	1.5	12.765
L1770.30-2350	30	-	2350	1.5	13.043
L1770.30-2400	30	-	2400	1.5	13.320
L1770.30-2450	30	-	2450	1.5	13.598
L1770.30-2500	30	-	2500	1.5	13.875
L1770.30-2550	30	-	2550	1.5	14.153
L1770.30-2600	30	-	2600	1.5	14.430
L1770.30-2650	30	-	2650	1.5	14.708
L1770.30-2700	30	-	2700	1.5	14.985
L1770.30-2750	30	-	2750	1.5	15.263
L1770.30-2800	30	-	2800	1.5	15.540
L1770.30-2850	30	-	2850	1.5	15.818
L1770.30-2900	30	-	2900	1.5	16.095
L1770.30-2950	30	-	2950	1.5	16.373
L1770.30-3000	30	-	3000	1.5	16.650
L1770.30-3050	30	-	3050	1.5	16.928
L1770.30-3100	30	-	3100	1.5	17.205
L1770.30-3150	30	-	3150	1.5	17.483
L1770.30-3200	30	-	3200	1.5	17.760
L1770.30-3250	30	-	3250	1.5	18.038
L1770.30-3300	30	-	3300	1.5	18.315
L1770.30-3350	30	-	3350	1.5	18.593
L1770.30-3400	30	-	3400	1.5	18.870
L1770.30-3450	30	-	3450	1.5	19.148
L1770.30-3500	30	-	3500	1.5	19.425
L1770.30-3550	30	-	3550	1.5	19.703
L1770.30-3600	30	-	3600	1.5	19.980
L1770.30-3650	30	-	3650	1.5	20.258
L1770.30-3700	30	-	3700	1.5	20.535
L1770.30-3750	30	-	3750	1.5	20.813
L1770.30-3800	30	-	3800	1.5	21.090
L1770.30-3850	30	-	3850	1.5	21.368
L1770.30-3900	30	-	3900	1.5	21.645
L1770.30-3950	30	-	3950	1.5	21.923
L1770.30-4000	30	-	4000	1.5	22.200
L1770.30-4050	30	-	4050	1.5	22.478
L1770.30-4100	30	-	4100	1.5	22.755
L1770.30-4150	30	-	4150	1.5	23.033
L1770.30-4200	30	-	4200	1.5	23.310
L1770.30-4250	30	-	4250	1.5	23.588
L1770.30-4300	30	-	4300	1.5	23.865
L1770.30-4350	30	-	4350	1.5	24.143
L1770.30-4400	30	-	4400	1.5	24.420
L1770.30-4450	30	-	4450	1.5	24.698
L1770.30-4500	30	-	4500	1.5	24.975
L1770.30-4550	30	-	4550	1.5	25.253
L1770.30-4600	30	-	4600	1.5	25.530
L1770.30-4650	30	-	4650	1.5	25.808
L1770.30-4700	30	-	4700	1.5	26.085
L1770.30-4750	30	-	4750	1.5	26.363
L1770.30-4800	30	-	4800	1.5	26.640
L1770.30-4850	30	-	4850	1.5	26.918
L1770.30-4900	30	-	4900	1.5	27.195
L1770.30-4950	30	-	4950	1.5	27.473
L1770.30-5000	30	-	5000	1.5	27.750

LINEAR SHAFT BARS



Order No.	d ₁	l	l ₁	Depth of hardness min.	Weight kg
L1770.30-5050	30	-	5050	1.5	28.028
L1770.30-5100	30	-	5100	1.5	28.305
L1770.30-5150	30	-	5150	1.5	28.583
L1770.30-5200	30	-	5200	1.5	28.860
L1770.30-5250	30	-	5250	1.5	29.138
L1770.30-5300	30	-	5300	1.5	29.415
L1770.30-5350	30	-	5350	1.5	29.693
L1770.30-5400	30	-	5400	1.5	29.970
L1770.30-5450	30	-	5450	1.5	30.248
L1770.30-5500	30	-	5500	1.5	30.525
L1770.30-5550	30	-	5550	1.5	30.803
L1770.30-5600	30	-	5600	1.5	31.080
L1770.30-5650	30	-	5650	1.5	31.358
L1770.30-5700	30	-	5700	1.5	31.635
L1770.30-5750	30	-	5750	1.5	31.913
L1770.30-5800	30	-	5800	1.5	32.190
L1770.30-5850	30	-	5850	1.5	32.468
L1770.30-5900	30	-	5900	1.5	32.745
L1770.30-5950	30	-	5950	1.5	33.023
L1770.30-6000	30	-	6000	1.5	33.300



L1770.40

LINEAR SHAFT BARS

Material

Carbon steel (070M55,Cf53 - DIN 1.1213), Surface hardness 60-66 HRC. Surface finish 0.3-0.6µ Ra, ground and polished to 8-12 cla. Yield stress: >325 N/mm², tensile strength: >630 N/mm².

Technical Notes

Tolerance, h6 standard, special tolerances upon request. Suitable for use with linear bearings. Straightness 0,1mm/m.

Tips

Modifications, drilled and tapped holes, retainer grooves, special coatings etc. are available. Shaft lengths are cut to typically ± 2mm, ends are not hardened.

Order No.	d ₁	l ₁	Depth of hardness min.	Weight kg
L1770.40-0100	40	100	1.5	0.987
L1770.40-0150	40	150	1.5	1.481
L1770.40-0200	40	200	1.5	1.974
L1770.40-0250	40	250	1.5	2.468
L1770.40-0300	40	300	1.5	2.961
L1770.40-0350	40	350	1.5	3.455
L1770.40-0400	40	400	1.5	3.948
L1770.40-0450	40	450	1.5	4.442
L1770.40-0500	40	500	1.5	4.935
L1770.40-0550	40	550	1.5	5.429
L1770.40-0600	40	600	1.5	5.922
L1770.40-0650	40	650	1.5	6.416
L1770.40-0700	40	700	1.5	6.909
L1770.40-0750	40	750	1.5	7.403
L1770.40-0800	40	800	1.5	7.896
L1770.40-0850	40	850	1.5	8.390
L1770.40-0900	40	900	1.5	8.883
L1770.40-0950	40	950	1.5	9.377
L1770.40-1000	40	1000	1.5	9.870
L1770.40-1050	40	1050	1.5	10.364
L1770.40-1100	40	1100	1.5	10.857
L1770.40-1150	40	1150	1.5	11.351
L1770.40-1200	40	1200	1.5	11.844
L1770.40-1250	40	1250	1.5	12.338
L1770.40-1300	40	1300	1.5	12.831
L1770.40-1350	40	1350	1.5	13.325
L1770.40-1400	40	1400	1.5	13.818
L1770.40-1450	40	1450	1.5	14.312
L1770.40-1500	40	1500	1.5	14.805
L1770.40-1550	40	1550	1.5	15.299
L1770.40-1600	40	1600	1.5	15.792



Order No.	d ₁	l ₁	Depth of hardness min.	Weight kg
L1770.40-1650	40	1650	1.5	16.286
L1770.40-1700	40	1700	1.5	16.779
L1770.40-1750	40	1750	1.5	17.273
L1770.40-1800	40	1800	1.5	17.766
L1770.40-1850	40	1850	1.5	18.260
L1770.40-1900	40	1900	1.5	18.753
L1770.40-1950	40	1950	1.5	19.247
L1770.40-2000	40	2000	1.5	19.740
L1770.40-2050	40	2050	1.5	20.234
L1770.40-2100	40	2100	1.5	20.727
L1770.40-2150	40	2150	1.5	21.221
L1770.40-2200	40	2200	1.5	21.714
L1770.40-2250	40	2250	1.5	22.208
L1770.40-2300	40	2300	1.5	22.701
L1770.40-2350	40	2350	1.5	23.195
L1770.40-2400	40	2400	1.5	23.688
L1770.40-2450	40	2450	1.5	24.182
L1770.40-2500	40	2500	1.5	24.675
L1770.40-2550	40	2550	1.5	25.169
L1770.40-2600	40	2600	1.5	25.662
L1770.40-2650	40	2650	1.5	26.156
L1770.40-2700	40	2700	1.5	26.649
L1770.40-2750	40	2750	1.5	27.143
L1770.40-2800	40	2800	1.5	27.636
L1770.40-2850	40	2850	1.5	28.130
L1770.40-2900	40	2900	1.5	28.623
L1770.40-2950	40	2950	1.5	29.117
L1770.40-3000	40	3000	1.5	29.610
L1770.40-3050	40	3050	1.5	30.104
L1770.40-3100	40	3100	1.5	30.597
L1770.40-3150	40	3150	1.5	31.091
L1770.40-3200	40	3200	1.5	31.584
L1770.40-3250	40	3250	1.5	32.078
L1770.40-3300	40	3300	1.5	32.571
L1770.40-3350	40	3350	1.5	33.065
L1770.40-3400	40	3400	1.5	33.558
L1770.40-3450	40	3450	1.5	34.052
L1770.40-3500	40	3500	1.5	34.545
L1770.40-3550	40	3550	1.5	35.039
L1770.40-3600	40	3600	1.5	35.532
L1770.40-3650	40	3650	1.5	36.026
L1770.40-3700	40	3700	1.5	36.519
L1770.40-3750	40	3750	1.5	37.013
L1770.40-3800	40	3800	1.5	37.506
L1770.40-3850	40	3850	1.5	38.000
L1770.40-3900	40	3900	1.5	38.493
L1770.40-3950	40	3950	1.5	38.987
L1770.40-4000	40	4000	1.5	39.480
L1770.40-4050	40	4050	1.5	39.974
L1770.40-4100	40	4100	1.5	40.467
L1770.40-4150	40	4150	1.5	40.961
L1770.40-4200	40	4200	1.5	41.454
L1770.40-4250	40	4250	1.5	41.948
L1770.40-4300	40	4300	1.5	42.441
L1770.40-4350	40	4350	1.5	42.935
L1770.40-4400	40	4400	1.5	43.428
L1770.40-4450	40	4450	1.5	43.922
L1770.40-4500	40	4500	1.5	44.415
L1770.40-4550	40	4550	1.5	44.909
L1770.40-4600	40	4600	1.5	45.402
L1770.40-4650	40	4650	1.5	45.896
L1770.40-4700	40	4700	1.5	46.389
L1770.40-4750	40	4750	1.5	46.883
L1770.40-4800	40	4800	1.5	47.376
L1770.40-4850	40	4850	1.5	47.870
L1770.40-4900	40	4900	1.5	48.363
L1770.40-4950	40	4950	1.5	48.857
L1770.40-5000	40	5000	1.5	49.350



40Ø Hardened Steel Shafts

Linear Shaft Bars

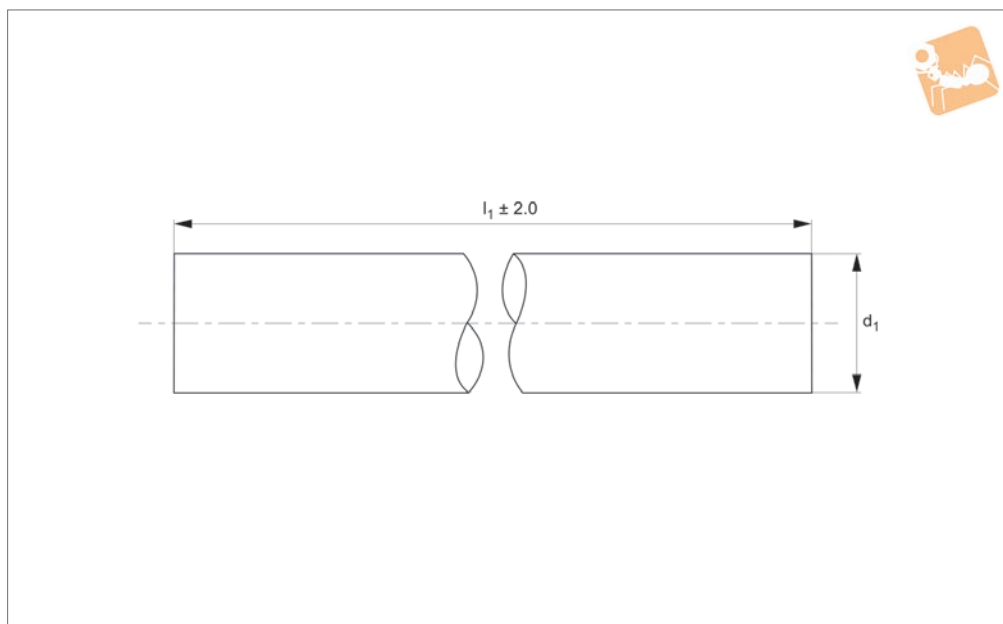


Order No.	d ₁	l ₁	Depth of hardness min.	Weight kg
L1770.40-5050	40	5050	1.5	49.844
L1770.40-5100	40	5100	1.5	50.337
L1770.40-5150	40	5150	1.5	50.831
L1770.40-5200	40	5200	1.5	51.324
L1770.40-5250	40	5250	1.5	51.818
L1770.40-5300	40	5300	1.5	52.311
L1770.40-5350	40	5350	1.5	52.805
L1770.40-5400	40	5400	1.5	53.298
L1770.40-5450	40	5450	1.5	53.792
L1770.40-5500	40	5500	1.5	54.285
L1770.40-5550	40	5550	1.5	54.779
L1770.40-5600	40	5600	1.5	55.272
L1770.40-5650	40	5650	1.5	55.766
L1770.40-5700	40	5700	1.5	56.259
L1770.40-5750	40	5750	1.5	56.753
L1770.40-5800	40	5800	1.5	57.246
L1770.40-5850	40	5850	1.5	57.740
L1770.40-5900	40	5900	1.5	58.233
L1770.40-5950	40	5950	1.5	58.727
L1770.40-6000	40	6000	1.5	59.220

LINEAR SHAFT BARS



L1770.50



Material

Carbon steel (070M55, Cf53 - DIN 1.1213), Surface hardness 60-66 HRC. Surface finish 0.3-0.6µ Ra, ground and polished to 8-12 cla.
Yield stress: >325 N/mm², tensile strength: >630 N/mm².

Technical Notes

Tolerance, h6 standard, special tolerances upon request.
Suitable for use with linear bearings.
Straightness 0,1mm/m.

Tips

Modifications, drilled and tapped holes, retainer grooves, special coatings etc. are available.
Shaft lengths are cut to typically ± 2mm, ends are not hardened.

Order No.	d tol. h6	d ₁	l ₁	Depth of hardness min.	Weight kg
L1770.50-0100	-	50	100	1.5	1.540
L1770.50-0150	-	50	150	1.5	2.310
L1770.50-0200	-	50	200	1.5	3.080
L1770.50-0250	-	50	250	1.5	3.850
L1770.50-0300	-	50	300	1.5	4.620
L1770.50-0350	-	50	350	1.5	5.390
L1770.50-0400	-	50	400	1.5	6.160
L1770.50-0450	-	50	450	1.5	6.930
L1770.50-0500	-	50	500	1.5	7.700
L1770.50-0550	-	50	550	1.5	8.470
L1770.50-0600	-	50	600	1.5	9.240
L1770.50-0650	-	50	650	1.5	10.010
L1770.50-0700	-	50	700	1.5	10.780
L1770.50-0750	-	50	750	1.5	11.550
L1770.50-0800	-	50	800	1.5	12.320
L1770.50-0850	-	50	850	1.5	13.090
L1770.50-0900	-	50	900	1.5	13.860
L1770.50-1000	-	50	1000	1.5	15.400
L1770.50-1050	-	50	1050	1.5	16.170
L1770.50-1100	-	50	1100	1.5	16.940
L1770.50-1150	-	50	1150	1.5	17.710
L1770.50-1200	-	50	1200	1.5	18.480
L1770.50-1250	-	50	1250	1.5	19.250
L1770.50-1300	-	50	1300	1.5	20.020
L1770.50-1350	-	50	1350	1.5	20.790
L1770.50-1400	-	50	1400	1.5	21.560
L1770.50-1450	-	50	1450	1.5	22.330
L1770.50-1500	-	50	1500	1.5	23.100
L1770.50-1550	-	50	1550	1.5	23.870
L1770.50-1600	-	50	1600	1.5	24.640
L1770.50-1650	-	50	1650	1.5	25.410



50Ø Hardened Steel Shafts

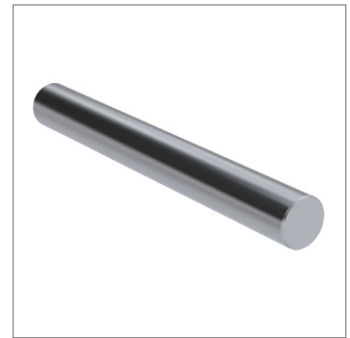
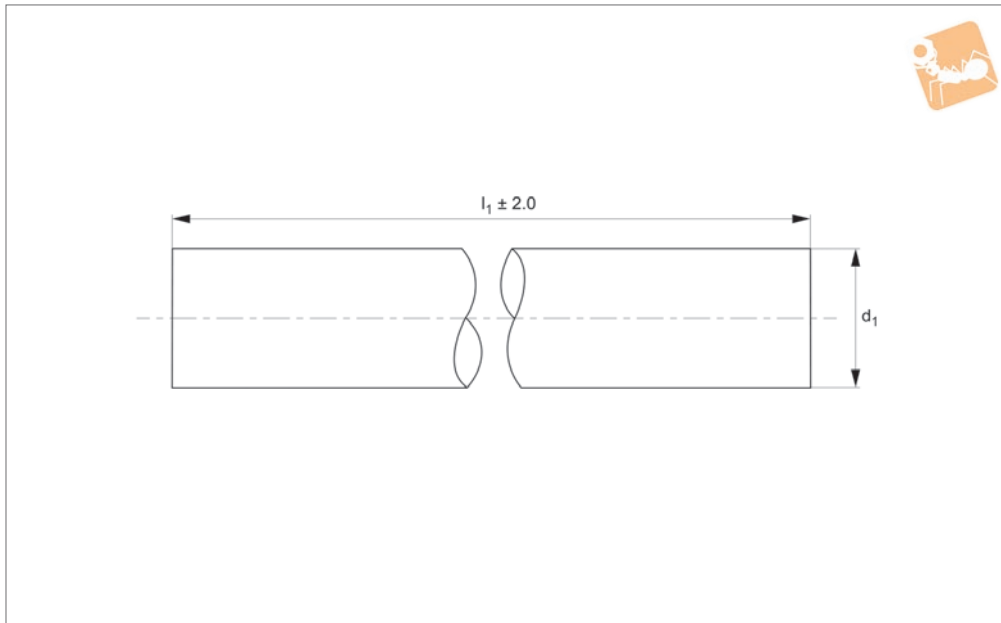
Linear Shaft Bars

Order No.	d tol. h6	d ₁	l ₁	Depth of hardness min.	Weight kg
L1770.50-1700	-	50	1700	1.5	26.180
L1770.50-1750	-	50	1750	1.5	26.950
L1770.50-1800	-	50	1800	1.5	27.720
L1770.50-1850	-	50	1850	1.5	28.490
L1770.50-1900	-	50	1900	1.5	29.260
L1770.50-1950	-	50	1950	1.5	30.030
L1770.50-2000	-	50	2000	1.5	30.800
L1770.50-2050	-	50	2050	1.5	31.570
L1770.50-2100	-	50	2100	1.5	32.340
L1770.50-2150	-	50	2150	1.5	33.110
L1770.50-2200	-	50	2200	1.5	33.880
L1770.50-2250	-	50	2250	1.5	34.650
L1770.50-2300	-	50	2300	1.5	35.420
L1770.50-2350	-	50	2350	1.5	36.190
L1770.50-2400	-	50	2400	1.5	36.960
L1770.50-2450	-	50	2450	1.5	37.730
L1770.50-2500	-	50	2500	1.5	38.500
L1770.50-2550	-	50	2550	1.5	39.270
L1770.50-2600	-	50	2600	1.5	40.040
L1770.50-2650	-	50	2650	1.5	40.810
L1770.50-2700	-	50	2700	1.5	41.580
L1770.50-2750	-	50	2750	1.5	42.350
L1770.50-2800	-	50	2800	1.5	43.120
L1770.50-2850	-	50	2850	1.5	43.890
L1770.50-2900	-	50	2900	1.5	44.660
L1770.50-2950	-	50	2950	1.5	45.430
L1770.50-3000	-	50	3000	1.5	46.200
L1770.50-3050	-	50	3050	1.5	46.970
L1770.50-3100	-	50	3100	1.5	47.740
L1770.50-3150	-	50	3150	1.5	48.510
L1770.50-3200	-	50	3200	1.5	49.280
L1770.50-3250	-	50	3250	1.5	50.050
L1770.50-3300	-	50	3300	1.5	50.820
L1770.50-3350	-	50	3350	1.5	51.590
L1770.50-3400	-	50	3400	1.5	52.360
L1770.50-3450	-	50	3450	1.5	53.130
L1770.50-3500	-	50	3500	1.5	53.900
L1770.50-3550	-	50	3550	1.5	54.670
L1770.50-3600	-	50	3600	1.5	55.440
L1770.50-3650	-	50	3650	1.5	56.210
L1770.50-3700	-	50	3700	1.5	56.980
L1770.50-3750	-	50	3750	1.5	57.750
L1770.50-3800	-	50	3800	1.5	58.520
L1770.50-3850	-	50	3850	1.5	59.290
L1770.50-3900	-	50	3900	1.5	60.060
L1770.50-3950	-	50	3950	1.5	60.830
L1770.50-4000	-	50	4000	1.5	61.600
L1770.50-4050	-	50	4050	1.5	62.370
L1770.50-4100	-	50	4100	1.5	63.140
L1770.50-4150	-	50	4150	1.5	63.910
L1770.50-4200	-	50	4200	1.5	64.680
L1770.50-4250	-	50	4250	1.5	65.450
L1770.50-4300	-	50	4300	1.5	66.220
L1770.50-4350	-	50	4350	1.5	66.990
L1770.50-4400	-	50	4400	1.5	67.760
L1770.50-4450	-	50	4450	1.5	68.530
L1770.50-4500	-	50	4500	1.5	69.300
L1770.50-4550	-	50	4550	1.5	70.070
L1770.50-4600	-	50	4600	1.5	70.840
L1770.50-4650	-	50	4650	1.5	71.610
L1770.50-4700	-	50	4700	1.5	72.380
L1770.50-4750	-	50	4750	1.5	73.150
L1770.50-4800	-	50	4800	1.5	73.920
L1770.50-4850	-	50	4850	1.5	74.690
L1770.50-4900	-	50	4900	1.5	75.460
L1770.50-4950	-	50	4950	1.5	76.230
L1770.50-5000	-	50	5000	1.5	77.000
L1770.50-5050	-	50	5050	1.5	77.770

LINEAR SHAFT BARS



Order No.	d tol. h6	d ₁	l ₁	Depth of hardness min.	Weight kg
L1770.50-5100	-	50	5100	1.5	78.540
L1770.50-5150	-	50	5150	1.5	79.310
L1770.50-5200	50	-	5200	1.5	80.080
L1770.50-5250	50	-	5250	1.5	80.850
L1770.50-5300	50	-	5300	1.5	81.620
L1770.50-5350	50	-	5350	1.5	82.390
L1770.50-5400	50	-	5400	1.5	83.160
L1770.50-5450	50	-	5450	1.5	83.930
L1770.50-5500	50	-	5500	1.5	84.700
L1770.50-5550	50	-	5550	1.5	85.470
L1770.50-5600	50	-	5600	1.5	86.240
L1770.50-5650	-	50	5650	1.5	87.010
L1770.50-5700	-	50	5700	1.5	87.780
L1770.50-5750	-	50	5750	1.5	88.550
L1770.50-5800	-	50	5800	1.5	89.320
L1770.50-5850	-	50	5850	1.5	90.090
L1770.50-5900	-	50	5900	1.5	90.860
L1770.50-5950	-	50	5950	1.5	91.630
L1770.50-6000	50	-	6000	1.5	92.400



L1770.60

LINEAR SHAFT BARS

Material

Carbon steel (070M55, Cf53 - DIN 1.1213), Surface hardness 60-66 HRC. Surface finish 0.3-0.6µ Ra, ground and polished to 8-12 cla. Yield stress: >325 N/mm², tensile strength: >630 N/mm².

Technical Notes

Tolerance, h6 standard, special tolerances upon request. Suitable for use with linear bearings. Straightness 0,1mm/m.

Tips

Modifications, drilled and tapped holes, retainer grooves, special coatings etc. are available. Shaft lengths are cut to typically ± 2mm, ends are not hardened.

Order No.	d ₁	l ₁	Depth of hardness min.	Weight kg
L1770.60-0100	60	100	1.5	2.220
L1770.60-0150	60	150	1.5	3.330
L1770.60-0200	60	200	1.5	4.440
L1770.60-0250	60	250	1.5	5.550
L1770.60-0300	60	300	1.5	6.660
L1770.60-0350	60	350	1.5	7.770
L1770.60-0400	60	400	1.5	8.880
L1770.60-0450	60	450	1.5	9.990
L1770.60-0500	60	500	1.5	11.100
L1770.60-0550	60	550	1.5	12.210
L1770.60-0600	60	600	1.5	13.320
L1770.60-0650	60	650	1.5	14.430
L1770.60-0700	60	700	1.5	15.540
L1770.60-0750	60	750	1.5	16.650
L1770.60-0800	60	800	1.5	17.760
L1770.60-0850	60	850	1.5	18.870
L1770.60-0900	60	900	1.5	19.980
L1770.60-0950	60	950	1.5	21.090
L1770.60-1000	60	1000	1.5	22.200
L1770.60-1050	60	1050	1.5	23.310
L1770.60-1100	60	1100	1.5	24.420
L1770.60-1150	60	1150	1.5	25.530
L1770.60-1200	60	1200	1.5	26.640
L1770.60-1250	60	1250	1.5	27.750
L1770.60-1300	60	1300	1.5	28.860
L1770.60-1350	60	1350	1.5	29.970
L1770.60-1400	60	1400	1.5	31.080
L1770.60-1450	60	1450	1.5	32.190
L1770.60-1500	60	1500	1.5	33.300



Order No.	d ₁	l ₁	Depth of hardness min.	Weight kg
L1770.60-1550	60	1550	1.5	34.410
L1770.60-1600	60	1600	1.5	35.520
L1770.60-1650	60	1650	1.5	36.630
L1770.60-1700	60	1700	1.5	37.740
L1770.60-1750	60	1750	1.5	38.850
L1770.60-1800	60	1800	1.5	39.960
L1770.60-1850	60	1850	1.5	41.070
L1770.60-1900	60	1900	1.5	42.180
L1770.60-1950	60	1950	1.5	43.290
L1770.60-2000	60	2000	1.5	44.400
L1770.60-2050	60	2050	1.5	45.510
L1770.60-2100	60	2100	1.5	46.620
L1770.60-2150	60	2150	1.5	47.730
L1770.60-2200	60	2200	1.5	48.840
L1770.60-2250	60	2250	1.5	49.950
L1770.60-2300	60	2300	1.5	51.060
L1770.60-2350	60	2350	1.5	52.170
L1770.60-2400	60	2400	1.5	53.280
L1770.60-2450	60	2450	1.5	54.390
L1770.60-2500	60	2500	1.5	55.500
L1770.60-2550	60	2550	1.5	56.610
L1770.60-2600	60	2600	1.5	57.720
L1770.60-2650	60	2650	1.5	58.830
L1770.60-2700	60	2700	1.5	59.940
L1770.60-2750	60	2750	1.5	61.050
L1770.60-2800	60	2800	1.5	62.160
L1770.60-2850	60	2850	1.5	63.270
L1770.60-2900	60	2900	1.5	64.380
L1770.60-2950	60	2950	1.5	65.490
L1770.60-3000	60	3000	1.5	66.600
L1770.60-3050	60	3050	1.5	67.710
L1770.60-3100	60	3100	1.5	68.820
L1770.60-3150	60	3150	1.5	69.930
L1770.60-3200	60	3200	1.5	71.040
L1770.60-3250	60	3250	1.5	72.150
L1770.60-3300	60	3300	1.5	73.260
L1770.60-3350	60	3350	1.5	74.370
L1770.60-3400	60	3400	1.5	75.480
L1770.60-3450	60	3450	1.5	76.590
L1770.60-3500	60	3500	1.5	77.700
L1770.60-3550	60	3550	1.5	78.810
L1770.60-3600	60	3600	1.5	79.920
L1770.60-3650	60	3650	1.5	81.030
L1770.60-3700	60	3700	1.5	82.140
L1770.60-3750	60	3750	1.5	83.250
L1770.60-3800	60	3800	1.5	84.360
L1770.60-3850	60	3850	1.5	85.470
L1770.60-3900	60	3900	1.5	86.580
L1770.60-3950	60	3950	1.5	87.690
L1770.60-4000	60	4000	1.5	88.800
L1770.60-4050	60	4050	1.5	89.910
L1770.60-4100	60	4100	1.5	91.020
L1770.60-4150	60	4150	1.5	92.130
L1770.60-4200	60	4200	1.5	93.240
L1770.60-4250	60	4250	1.5	94.350
L1770.60-4300	60	4300	1.5	95.460
L1770.60-4350	60	4350	1.5	96.570
L1770.60-4400	60	4400	1.5	97.680
L1770.60-4450	60	4450	1.5	98.790
L1770.60-4500	60	4500	1.5	99.900
L1770.60-4550	60	4550	1.5	101.010
L1770.60-4600	60	4600	1.5	102.120
L1770.60-4650	60	4650	1.5	103.230
L1770.60-4700	60	4700	1.5	104.340
L1770.60-4750	60	4750	1.5	105.450
L1770.60-4800	60	4800	1.5	106.560
L1770.60-4850	60	4850	1.5	107.670
L1770.60-4900	60	4900	1.5	108.780



60Ø Hardened Steel Shafts

Linear Shaft Bars

Order No.	d ₁	l ₁	Depth of hardness min.	Weight kg
L1770.60-4950	60	4950	1.5	109.890
L1770.60-5000	60	5000	1.5	111.000
L1770.60-5050	60	5050	1.5	112.110
L1770.60-5100	60	5100	1.5	113.220
L1770.60-5150	60	5150	1.5	114.330
L1770.60-5200	60	5200	1.5	115.440
L1770.60-5250	60	5250	1.5	116.550
L1770.60-5300	60	5300	1.5	117.660
L1770.60-5350	60	5350	1.5	118.770
L1770.60-5400	60	5400	1.5	119.880
L1770.60-5450	60	5450	1.5	120.990
L1770.60-5500	60	5500	1.5	122.100
L1770.60-5550	60	5550	1.5	123.210
L1770.60-5600	60	5600	1.5	124.320
L1770.60-5650	60	5650	1.5	125.430
L1770.60-5700	60	5700	1.5	126.540
L1770.60-5750	60	5750	1.5	127.650
L1770.60-5800	60	5800	1.5	128.760
L1770.60-5850	60	5850	1.5	129.870
L1770.60-5900	60	5900	1.5	130.980
L1770.60-5950	60	5950	1.5	132.090
L1770.60-6000	60	6000	1.5	133.200

LINEAR SHAFT BARS



Hardened steel linear shafting (L1770 – L1771)

Carbon steel to BS 070M55 hardened to 60-65 HRC. Carbon Steel B.S. 070M55 is a medium carbon steel which is used when greater strength and hardness is desired than in its as rolled condition. Extreme size accuracy, straightness and concentricity are combined to minimise wear in high speed applications. Suitable for use with all types of linear bushings.

Corrosion resistant steel (L1772)

440C is a high carbon chromium martensitic stainless steel, generally supplied in the annealed condition with a maximum hardness of 50-55 HR_C. Characterised by good corrosion resistance in mild domestic and industrial environments, including fresh water, organic materials, mild acids, various petroleum products, coupled with extreme high strength, hardness and wear resistance when in the hardened and tempered condition. Used for parts requiring a combination of excellent wear resistance, plus reasonable corrosion resistance. Typical applications are: ball bearings and races, bushings, cutlery, chisels, knife blades, pump parts, surgical instruments, valve seats etc. Material magnetic in all conditions. Suitable for use with all types of linear bushings.

Stainless steel AISI 303 (L1773)

303 is a free machining chromium-nickel austenitic stainless steel with good strength and good corrosion resistance, as supplied in the annealed condition. Characterised by excellent machinability and non galling properties due to its higher sulphur content, which has the effect of slightly lowering its corrosion resistance. It is however, fairly resistant to general atmospheric corrosion, general foodstuffs, sterilizing solutions, dyestuffs, most organic chemicals, plus some inorganic chemicals. But has very limited resistance to acids. 303 cannot be hardened by thermal treatment, but strength and hardness can be increased substantially by cold working, with subsequent reduction in ductility. It is used primarily for production runs involving extensive machining, or complex parts requiring excellent machinability. Typical uses are: architectural components, food processing equipment, dairy equipment, dyeing industry, hardware and kitchenware manufacturing and allied industries. Commonly used to manufacture bolts and nuts, bushes, gears, shafts, valve bodies and fittings etc. Material is non magnetic in the annealed condition, but can become mildly magnetic following heavy cold working. Annealing is required to rectify if necessary.

Not suitable for use with linear ball bushings, please use ceramic bearings.

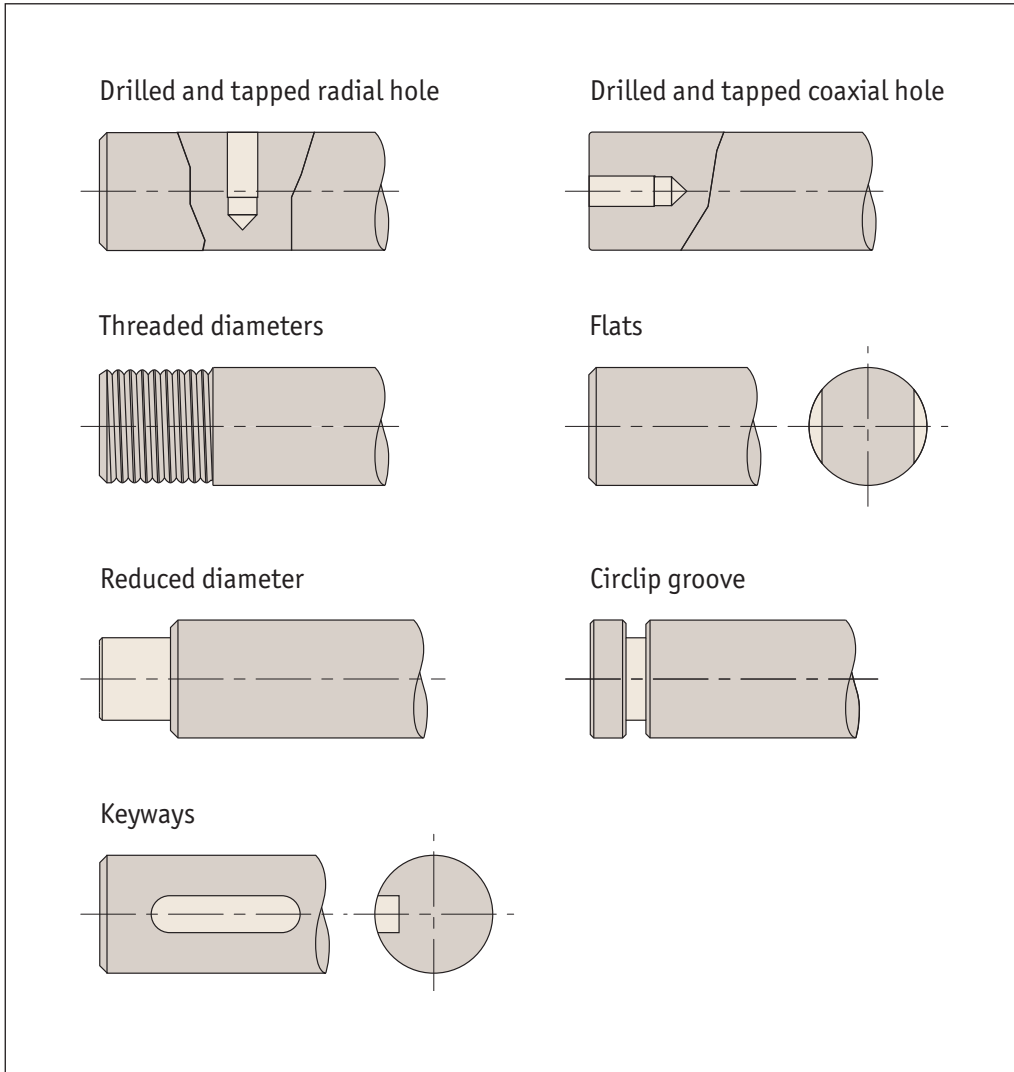
Stainless steel AISI 303 (L1774)

316 is a chromium-nickel-molybdenum austenitic stainless steel with good strength and excellent corrosion resistance, as supplied in the annealed condition. Characterised by high corrosion resistance in marine and industrial atmospheres, it exhibits excellent resistance to chloride attack and against complex sulphur compounds employed in the pulp and paper processing industries. The addition of 2% to 3% of molybdenum increases its resistance to pitting corrosion and improves its creep resistance at elevated temperatures. Also it displays good oxidation resistance at elevated temperatures and has excellent weldability. AISI 316 cannot be hardened by thermal treatment, but strength and hardness can be increased substantially by cold working, with subsequent reduction in ductility. It is used extensively by the marine, chemical, petrochemical, pulp and paper, textile, transport, manufacturing and allied industries. Typical uses are: architectural components, textile equipment, pulp and paper processing equipment, marine equipment and fittings, photographic equipment and x-ray equipment etc. Material non magnetic in the annealed condition, but can become mildly magnetic following heavy cold working. Annealing is required to rectify if necessary.

Note: Optimum corrosion resistance is achieved in the annealed condition. Not suitable for use with linear ball bushings; please use ceramic bearings.

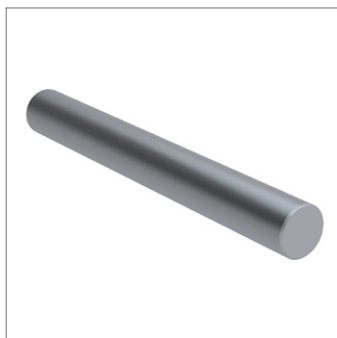
As well as standard cut to length shafting, Automotion can offer many specials including imperial shafts, different tolerances and non-standard diameters.

We can also machine shafts to your requirements so if you have a specific requirement, please contact our Sales team. Below are examples of just some of the machining we can do to shafting on a quick turnaround.

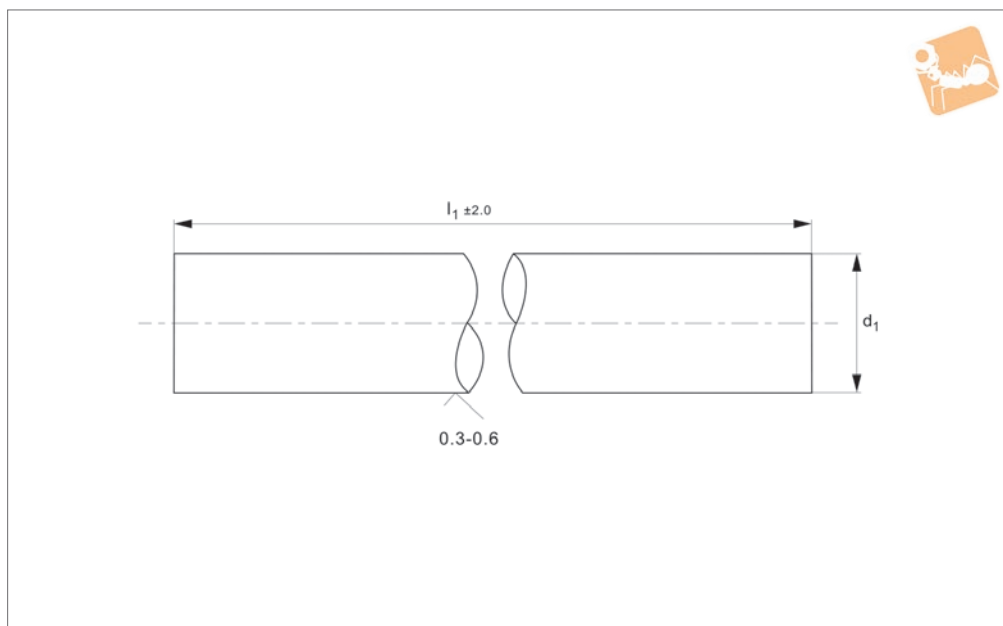


Linear Shafts from Automotion Components

LINEAR SHAFT BARS



L1772.06



Material

Corrosion resistant stainless steel (440C, DIN 1.4112, X90 CrMo18) hardened.
Surface hardness 53-56 HRC, Rht 450Hv2.
Surface finish 0.3-0.6µ Ra, ground and polished to 8-12 cla.
Yield stress: >420 N/mm².

Tensile strength: >785 N/mm².

Technical Notes

Suitable for use with linear bearings.
Tolerance, h6 standard, special tolerances on request.
Straightness 0,1mm/m.

Tips

Modifications, drilled and tapped holes, retainer grooves, special coatings etc. are available.
Shaft lengths are cut to typically ± 2mm, ends are not hardened.

Order No.	d ₁ tol. h6	l ₁	Depth of hardness min.	Weight kg
L1772.06-0100	6	100	0.4	0.023
L1772.06-0150	6	150	0.4	0.035
L1772.06-0200	6	200	0.4	0.046
L1772.06-0250	6	250	0.4	0.058
L1772.06-0300	6	300	0.4	0.069
L1772.06-0350	6	350	0.4	0.081
L1772.06-0400	6	400	0.4	0.092
L1772.06-0450	6	450	0.4	0.104
L1772.06-0500	6	500	0.4	0.115
L1772.06-0550	6	550	0.4	0.127
L1772.06-0600	6	600	0.4	0.138
L1772.06-0650	6	650	0.4	0.150
L1772.06-0700	6	700	0.4	0.161
L1772.06-0750	6	750	0.4	0.173
L1772.06-0800	6	800	0.4	0.184
L1772.06-0850	6	850	0.4	0.196
L1772.06-0900	6	900	0.4	0.207
L1772.06-0950	6	950	0.4	0.219
L1772.06-1000	6	1000	0.4	0.230
L1772.06-1050	6	1050	0.4	0.242
L1772.06-1100	6	1100	0.4	0.253
L1772.06-1150	6	1150	0.4	0.265
L1772.06-1200	6	1200	0.4	0.276
L1772.06-1250	6	1250	0.4	0.288
L1772.06-1300	6	1300	0.4	0.299
L1772.06-1350	6	1350	0.4	0.311
L1772.06-1400	6	1400	0.4	0.322
L1772.06-1450	6	1450	0.4	0.334
L1772.06-1500	6	1500	0.4	0.345
L1772.06-1550	6	1550	0.4	0.357
L1772.06-1600	6	1600	0.4	0.368



Ø6 Hardened Stainless Shafts for linear bearings

Linear Shaft
Bars

Order No.	d ₁ tol. h6	l ₁	Depth of hardness min.	Weight kg
L1772.06-1650	6	1650	0.4	0.380
L1772.06-1700	6	1700	0.4	0.391
L1772.06-1750	6	1750	0.4	0.403
L1772.06-1800	6	1800	0.4	0.414
L1772.06-1850	6	1850	0.4	0.426
L1772.06-1900	6	1900	0.4	0.437
L1772.06-1950	6	1950	0.4	0.449
L1772.06-2000	6	2000	0.4	0.460
L1772.06-2050	6	2050	0.4	0.472
L1772.06-2100	6	2100	0.4	0.483
L1772.06-2150	6	2150	0.4	0.495
L1772.06-2200	6	2200	0.4	0.506
L1772.06-2250	6	2250	0.4	0.518
L1772.06-2300	6	2300	0.4	0.529
L1772.06-2350	6	2350	0.4	0.541
L1772.06-2400	6	2400	0.4	0.552
L1772.06-2450	6	2450	0.4	0.564
L1772.06-2500	6	2500	0.4	0.575
L1772.06-2550	6	2550	0.4	0.587
L1772.06-2600	6	2600	0.4	0.598
L1772.06-2650	6	2650	0.4	0.610
L1772.06-2700	6	2700	0.4	0.621
L1772.06-2750	6	2750	0.4	0.633
L1772.06-2800	6	2800	0.4	0.644
L1772.06-2850	6	2850	0.4	0.656
L1772.06-2900	6	2900	0.4	0.667
L1772.06-2950	6	2950	0.4	0.679
L1772.06-3000	6	3000	0.4	0.690
L1772.06-3050	6	3050	0.4	0.702
L1772.06-3100	6	3100	0.4	0.713
L1772.06-3150	6	3150	0.4	0.725
L1772.06-3200	6	3200	0.4	0.736
L1772.06-3250	6	3250	0.4	0.748
L1772.06-3300	6	3300	0.4	0.759
L1772.06-3350	6	3350	0.4	0.771
L1772.06-3400	6	3400	0.4	0.782
L1772.06-3450	6	3450	0.4	0.794
L1772.06-3500	6	3500	0.4	0.805
L1772.06-3550	6	3550	0.4	0.817
L1772.06-3600	6	3600	0.4	0.828
L1772.06-3650	6	3650	0.4	0.840
L1772.06-3700	6	3700	0.4	0.851
L1772.06-3750	6	3750	0.4	0.863
L1772.06-3800	6	3800	0.4	0.874
L1772.06-3850	6	3850	0.4	0.886
L1772.06-3900	6	3900	0.4	0.897
L1772.06-3950	6	3950	0.4	0.909
L1772.06-4000	6	4000	0.4	0.920
L1772.06-4050	6	4050	0.4	0.932
L1772.06-4100	6	4100	0.4	0.943
L1772.06-4150	6	4150	0.4	0.955
L1772.06-4200	6	4200	0.4	0.966
L1772.06-4250	6	4250	0.4	0.978
L1772.06-4300	6	4300	0.4	0.989
L1772.06-4350	6	4350	0.4	1.001
L1772.06-4400	6	4400	0.4	1.012
L1772.06-4450	6	4450	0.4	1.024
L1772.06-4500	6	4500	0.4	1.035
L1772.06-4550	6	4550	0.4	1.047
L1772.06-4600	6	4600	0.4	1.058
L1772.06-4650	6	4650	0.4	1.070
L1772.06-4700	6	4700	0.4	1.081
L1772.06-4750	6	4750	0.4	1.093
L1772.06-4800	6	4800	0.4	1.104
L1772.06-4850	6	4850	0.4	1.116
L1772.06-4900	6	4900	0.4	1.127
L1772.06-4950	6	4950	0.4	1.139
L1772.06-5000	6	5000	0.4	1.150

LINEAR SHAFT BARS

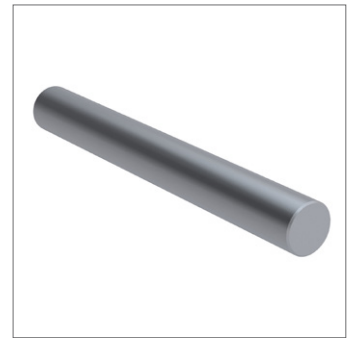
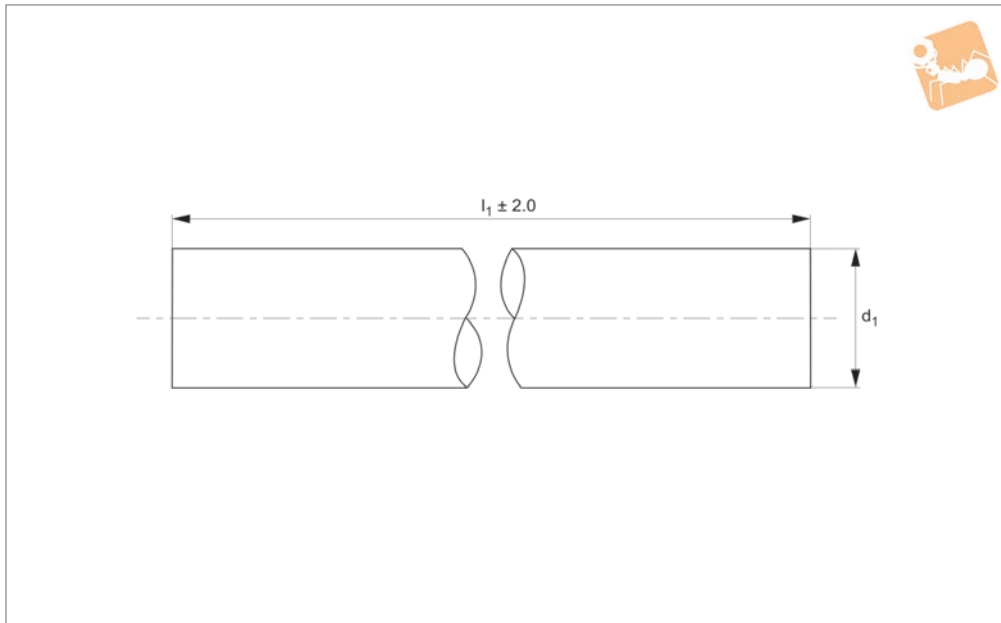


Order No.	d ₁ tol. h6	l ₁	Depth of hardness min.	Weight kg
L1772.06-5050	6	5050	0.4	1.162
L1772.06-5100	6	5100	0.4	1.173
L1772.06-5150	6	5150	0.4	1.185
L1772.06-5200	6	5200	0.4	1.196
L1772.06-5250	6	5250	0.4	1.208
L1772.06-5300	6	5300	0.4	1.219
L1772.06-5350	6	5350	0.4	1.231
L1772.06-5400	6	5400	0.4	1.242
L1772.06-5450	6	5450	0.4	1.254
L1772.06-5500	6	5500	0.4	1.265
L1772.06-5550	6	5550	0.4	1.277
L1772.06-5600	6	5600	0.4	1.288
L1772.06-5650	6	5650	0.4	1.300
L1772.06-5700	6	5700	0.4	1.311
L1772.06-5750	6	5750	0.4	1.323
L1772.06-5800	6	5800	0.4	1.334
L1772.06-5850	6	5850	0.4	1.346
L1772.06-5900	6	5900	0.4	1.357
L1772.06-5950	6	5950	0.4	1.369
L1772.06-6000	6	6000	0.4	1.380



Ø8 Hardened Stainless Shafts for linear bearings

Linear Shaft Bars



L1772.08

LINEAR SHAFT BARS

Material

Corrosion resistant stainless steel (440C, DIN 1.4112, X90 CrMo18) hardened.
Surface hardness 53-56 HRC, Rht 450Hv2.
Surface finish 0.3-0.6µ Ra, ground and polished to 8-12 cla.
Yield stress: >420 N/mm².

Tensile strength: >785 N/mm².

Technical Notes

Suitable for use with linear bearings.
Tolerance, h6 standard, special tolerances on request.
Straightness 0,1mm/m.

Tips

Modifications, drilled and tapped holes, retainer grooves, special coatings etc. are available.
Shaft lengths are cut to typically ± 2mm, ends are not hardened.

Order No.	d ₁ tol. h6	l ₁	Depth of hardness min.	Weight kg
L1772.08-0100	8	100	0.4	0.040
L1772.08-0150	8	150	0.4	0.060
L1772.08-0200	8	200	0.4	0.080
L1772.08-0250	8	250	0.4	0.100
L1772.08-0300	8	300	0.4	0.120
L1772.08-0350	8	350	0.4	0.140
L1772.08-0400	8	400	0.4	0.160
L1772.08-0450	8	450	0.4	0.180
L1772.08-0500	8	500	0.4	0.200
L1772.08-0550	8	550	0.4	0.220
L1772.08-0600	8	600	0.4	0.240
L1772.08-0650	8	650	0.4	0.260
L1772.08-0700	8	700	0.4	0.280
L1772.08-0750	8	750	0.4	0.300
L1772.08-0800	8	800	0.4	0.320
L1772.08-0850	8	850	0.4	0.340
L1772.08-0900	8	900	0.4	0.360
L1772.08-0950	8	950	0.4	0.380
L1772.08-1000	8	1000	0.4	0.400
L1772.08-1050	8	1050	0.4	0.420
L1772.08-1100	8	1100	0.4	0.440
L1772.08-1150	8	1150	0.4	0.460
L1772.08-1200	8	1200	0.4	0.480
L1772.08-1250	8	1250	0.4	0.500
L1772.08-1300	8	1300	0.4	0.520
L1772.08-1350	8	1350	0.4	0.540
L1772.08-1400	8	1400	0.4	0.560
L1772.08-1450	8	1450	0.4	0.580
L1772.08-1500	8	1500	0.4	0.600
L1772.08-1550	8	1550	0.4	0.620
L1772.08-1600	8	1600	0.4	0.640



Order No.	d ₁ tol. h6	l ₁	Depth of hardness min.	Weight kg
L1772.08-1650	8	1650	0.4	0.660
L1772.08-1700	8	1700	0.4	0.680
L1772.08-1750	8	1750	0.4	0.700
L1772.08-1800	8	1800	0.4	0.720
L1772.08-1850	8	1850	0.4	0.740
L1772.08-1900	8	1900	0.4	0.760
L1772.08-1950	8	1950	0.4	0.780
L1772.08-2000	8	2000	0.4	0.800
L1772.08-2050	8	2050	0.4	0.820
L1772.08-2100	8	2100	0.4	0.840
L1772.08-2150	8	2150	0.4	0.860
L1772.08-2200	8	2200	0.4	0.880
L1772.08-2250	8	2250	0.4	0.900
L1772.08-2300	8	2300	0.4	0.920
L1772.08-2350	8	2350	0.4	0.940
L1772.08-2400	8	2400	0.4	0.960
L1772.08-2450	8	2450	0.4	0.980
L1772.08-2500	8	2500	0.4	1.000
L1772.08-2550	8	2550	0.4	1.020
L1772.08-2600	8	2600	0.4	1.040
L1772.08-2650	8	2650	0.4	1.060
L1772.08-2700	8	2700	0.4	1.080
L1772.08-2750	8	2750	0.4	1.100
L1772.08-2800	8	2800	0.4	1.120
L1772.08-2850	8	2850	0.4	1.140
L1772.08-2900	8	2900	0.4	1.160
L1772.08-2950	8	2950	0.4	1.180
L1772.08-3000	8	3000	0.4	1.200
L1772.08-3050	8	3050	0.4	1.220
L1772.08-3100	8	3100	0.4	1.240
L1772.08-3150	8	3150	0.4	1.260
L1772.08-3200	8	3200	0.4	1.280
L1772.08-3250	8	3250	0.4	1.300
L1772.08-3300	8	3300	0.4	1.320
L1772.08-3350	8	3350	0.4	1.340
L1772.08-3400	8	3400	0.4	1.360
L1772.08-3450	8	3450	0.4	1.380
L1772.08-3500	8	3500	0.4	1.400
L1772.08-3550	8	3550	0.4	1.420
L1772.08-3600	8	3600	0.4	1.440
L1772.08-3650	8	3650	0.4	1.460
L1772.08-3700	8	3700	0.4	1.480
L1772.08-3750	8	3750	0.4	1.500
L1772.08-3800	8	3800	0.4	1.520
L1772.08-3850	8	3850	0.4	1.540
L1772.08-3900	8	3900	0.4	1.560
L1772.08-3950	8	3950	0.4	1.580
L1772.08-4000	8	4000	0.4	1.600
L1772.08-4050	8	4050	0.4	1.620
L1772.08-4100	8	4100	0.4	1.640
L1772.08-4150	8	4150	0.4	1.660
L1772.08-4200	8	4200	0.4	1.680
L1772.08-4250	8	4250	0.4	1.700
L1772.08-4300	8	4300	0.4	1.720
L1772.08-4350	8	4350	0.4	1.740
L1772.08-4400	8	4400	0.4	1.760
L1772.08-4450	8	4450	0.4	1.780
L1772.08-4500	8	4500	0.4	1.800
L1772.08-4550	8	4550	0.4	1.820
L1772.08-4600	8	4600	0.4	1.840
L1772.08-4650	8	4650	0.4	1.860
L1772.08-4700	8	4700	0.4	1.880
L1772.08-4750	8	4750	0.4	1.900
L1772.08-4800	8	4800	0.4	1.920
L1772.08-4850	8	4850	0.4	1.940
L1772.08-4900	8	4900	0.4	1.960
L1772.08-4950	8	4950	0.4	1.980
L1772.08-5000	8	5000	0.4	2.000

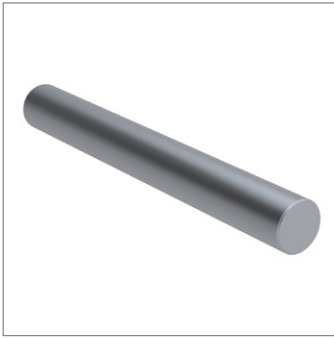


Ø8 Hardened Stainless Shafts for linear bearings

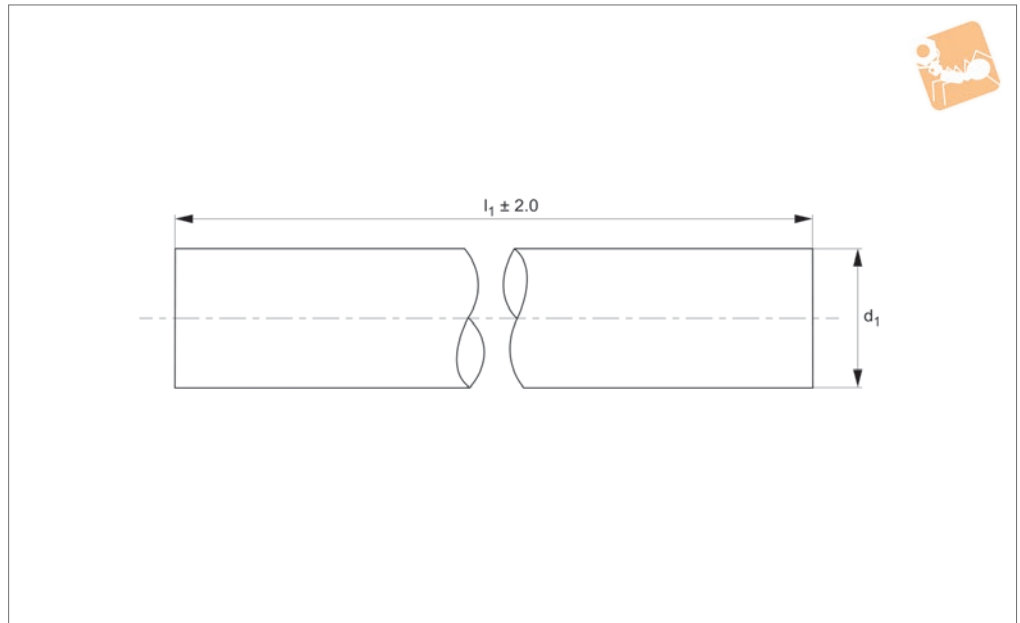
Linear Shaft Bars

Order No.	d ₁ tol. h6	l ₁	Depth of hardness min.	Weight kg
L1772.08-5050	8	5050	0.4	2.020
L1772.08-5100	8	5100	0.4	2.040
L1772.08-5150	8	5150	0.4	2.060
L1772.08-5200	8	5200	0.4	2.080
L1772.08-5250	8	5250	0.4	2.100
L1772.08-5300	8	5300	0.4	2.120
L1772.08-5350	8	5350	0.4	2.140
L1772.08-5400	8	5400	0.4	2.160
L1772.08-5450	8	5450	0.4	2.180
L1772.08-5500	8	5500	0.4	2.200
L1772.08-5550	8	5550	0.4	2.220
L1772.08-5600	8	5600	0.4	2.240
L1772.08-5650	8	5650	0.4	2.260
L1772.08-5700	8	5700	0.4	2.280
L1772.08-5750	8	5750	0.4	2.300
L1772.08-5800	8	5800	0.4	2.320
L1772.08-5850	8	5850	0.4	2.340
L1772.08-5900	8	5900	0.4	2.360
L1772.08-5950	8	5950	0.4	2.380
L1772.08-6000	8	6000	0.4	2.400

LINEAR SHAFT BARS



L1772.10



Material

Corrosion resistant stainless steel (440C, DIN 1.4112, X90 CrMo18) hardened.
Surface hardness 53-56 HRC, Rht 450Hv2.
Surface finish 0.3-0.6µ Ra, ground and polished to 8-12 cla.
Yield stress: >420 N/mm².

Tensile strength: >785 N/mm².

Technical Notes

Suitable for use with linear bearings.
Tolerance, h6 standard, special tolerances on request.
Straightness 0,2mm/m.

Tips

Modifications, drilled and tapped holes, retainer grooves, special coatings etc. are available.
Shaft lengths are cut to typically ± 2mm, ends are not hardened.

Order No.	d ₁ tol. h6	l ₁	Depth of hardness min.	Weight kg
L1772.10-0100	10	100	0.4	0.062
L1772.10-0150	10	150	0.4	0.093
L1772.10-0200	10	200	0.4	0.124
L1772.10-0250	10	250	0.4	0.155
L1772.10-0300	10	300	0.4	0.186
L1772.10-0350	10	350	0.4	0.217
L1772.10-0400	10	400	0.4	0.248
L1772.10-0450	10	450	0.4	0.279
L1772.10-0500	10	500	0.4	0.310
L1772.10-0550	10	550	0.4	0.341
L1772.10-0600	10	600	0.4	0.372
L1772.10-0650	10	650	0.4	0.403
L1772.10-0700	10	700	0.4	0.434
L1772.10-0750	10	750	0.4	0.465
L1772.10-0800	10	800	0.4	0.496
L1772.10-0850	10	850	0.4	0.527
L1772.10-0900	10	900	0.4	0.558
L1772.10-0950	10	950	0.4	0.589
L1772.10-1000	10	1000	0.4	0.620
L1772.10-1050	10	1050	0.4	0.651
L1772.10-1100	10	1100	0.4	0.682
L1772.10-1150	10	1150	0.4	0.713
L1772.10-1200	10	1200	0.4	0.744
L1772.10-1250	10	1250	0.4	0.775
L1772.10-1300	10	1300	0.4	0.806
L1772.10-1350	10	1350	0.4	0.837
L1772.10-1400	10	1400	0.4	0.868
L1772.10-1450	10	1450	0.4	0.899
L1772.10-1500	10	1500	0.4	0.930
L1772.10-1550	10	1550	0.4	0.961
L1772.10-1600	10	1600	0.4	0.992



Ø10 Hardened Stainless Shafts for linear bearings

Linear Shaft Bars

Order No.	d ₁ tol. h6	l ₁	Depth of hardness min.	Weight kg
L1772.10-1650	10	1650	0.4	1.023
L1772.10-1700	10	1700	0.4	1.054
L1772.10-1750	10	1750	0.4	1.085
L1772.10-1800	10	1800	0.4	1.116
L1772.10-1850	10	1850	0.4	1.147
L1772.10-1900	10	1900	0.4	1.178
L1772.10-1950	10	1950	0.4	1.209
L1772.10-2000	10	2000	0.4	1.240
L1772.10-2050	10	2050	0.4	1.271
L1772.10-2100	10	2100	0.4	1.302
L1772.10-2150	10	2150	0.4	1.333
L1772.10-2200	10	2200	0.4	1.364
L1772.10-2250	10	2250	0.4	1.395
L1772.10-2300	10	2300	0.4	1.426
L1772.10-2350	10	2350	0.4	1.457
L1772.10-2400	10	2400	0.4	1.488
L1772.10-2450	10	2450	0.4	1.519
L1772.10-2500	10	2500	0.4	1.550
L1772.10-2550	10	2550	0.4	1.581
L1772.10-2600	10	2600	0.4	1.612
L1772.10-2650	10	2650	0.4	1.643
L1772.10-2700	10	2700	0.4	1.674
L1772.10-2750	10	2750	0.4	1.705
L1772.10-2800	10	2800	0.4	1.736
L1772.10-2850	10	2850	0.4	1.767
L1772.10-2900	10	2900	0.4	1.798
L1772.10-2950	10	2950	0.4	1.829
L1772.10-3000	10	3000	0.4	1.860
L1772.10-3050	10	3050	0.4	1.891
L1772.10-3100	10	3100	0.4	1.922
L1772.10-3150	10	3150	0.4	1.953
L1772.10-3200	10	3200	0.4	1.984
L1772.10-3250	10	3250	0.4	2.015
L1772.10-3300	10	3300	0.4	2.046
L1772.10-3350	10	3350	0.4	2.077
L1772.10-3400	10	3400	0.4	2.108
L1772.10-3450	10	3450	0.4	2.139
L1772.10-3500	10	3500	0.4	2.170
L1772.10-3550	10	3550	0.4	2.201
L1772.10-3600	10	3600	0.4	2.232
L1772.10-3650	10	3650	0.4	2.263
L1772.10-3700	10	3700	0.4	2.294
L1772.10-3750	10	3750	0.4	2.325
L1772.10-3800	10	3800	0.4	2.356
L1772.10-3850	10	3850	0.4	2.387
L1772.10-3900	10	3900	0.4	2.418
L1772.10-3950	10	3950	0.4	2.449
L1772.10-4000	10	4000	0.4	2.480
L1772.10-4050	10	4050	0.4	2.511
L1772.10-4100	10	4100	0.4	2.542
L1772.10-4150	10	4150	0.4	2.573
L1772.10-4200	10	4200	0.4	2.604
L1772.10-4250	10	4250	0.4	2.635
L1772.10-4300	10	4300	0.4	2.666
L1772.10-4350	10	4350	0.4	2.697
L1772.10-4400	10	4400	0.4	2.728
L1772.10-4450	10	4450	0.4	2.759
L1772.10-4500	10	4500	0.4	2.790
L1772.10-4550	10	4550	0.4	2.821
L1772.10-4600	10	4600	0.4	2.852
L1772.10-4650	10	4650	0.4	2.883
L1772.10-4700	10	4700	0.4	2.914
L1772.10-4750	10	4750	0.4	2.945
L1772.10-4800	10	4800	0.4	2.976
L1772.10-4850	10	4850	0.4	3.007
L1772.10-4900	10	4900	0.4	3.038
L1772.10-4950	10	4950	0.4	3.069
L1772.10-5000	10	5000	0.4	3.100

LINEAR SHAFT BARS

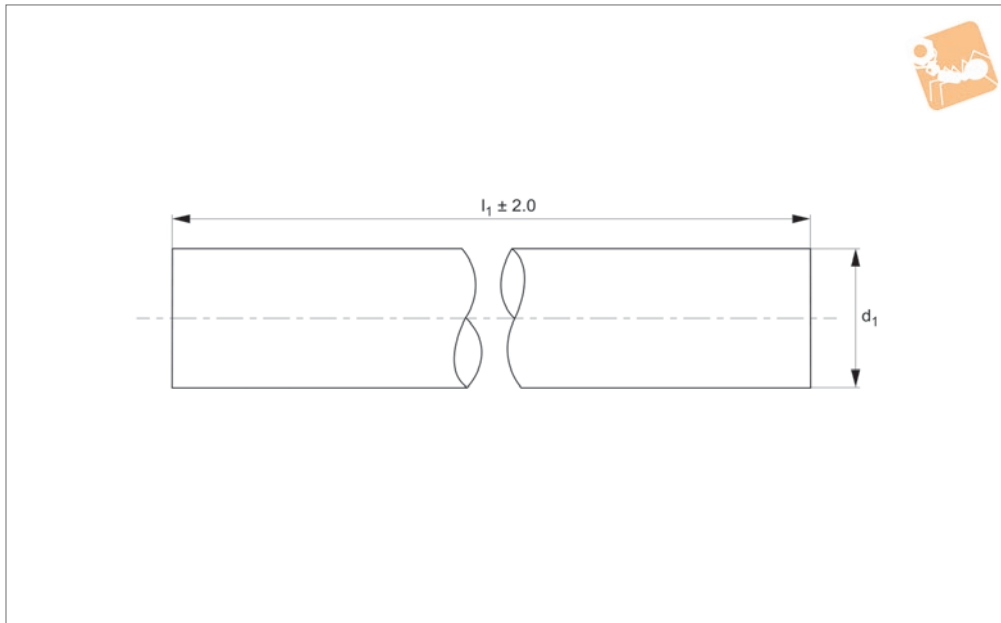


Order No.	d ₁ tol. h6	l ₁	Depth of hardness min.	Weight kg
L1772.10-5050	10	5050	0.4	3.131
L1772.10-5100	10	5100	0.4	3.162
L1772.10-5150	10	5150	0.4	3.193
L1772.10-5200	10	5200	0.4	3.224
L1772.10-5250	10	5250	0.4	3.255
L1772.10-5300	10	5300	0.4	3.286
L1772.10-5350	10	5350	0.4	3.317
L1772.10-5400	10	5400	0.4	3.348
L1772.10-5450	10	5450	0.4	3.379
L1772.10-5500	10	5500	0.4	3.410
L1772.10-5550	10	5550	0.4	3.441
L1772.10-5600	10	5600	0.4	3.472
L1772.10-5650	10	5650	0.4	3.503
L1772.10-5700	10	5700	0.4	3.534
L1772.10-5750	10	5750	0.4	3.565
L1772.10-5800	10	5800	0.4	3.596
L1772.10-5850	10	5850	0.4	3.627
L1772.10-5900	10	5900	0.4	3.658
L1772.10-5950	10	5950	0.4	3.689
L1772.10-6000	10	6000	0.4	3.720



Ø12 Hardened Stainless Shafts for linear bearings

Linear Shaft Bars



L1772.12

LINEAR SHAFT BARS

Material

Corrosion resistant stainless steel (440C, DIN 1.4112, X90 CrMo18) hardened.
Surface hardness 53-56 HRC, Rht 450Hv2.
Surface finish 0.3-0.6µ Ra, ground and polished to 8-12 cla.
Yield stress: >420 N/mm².

Tensile strength: >785 N/mm².

Technical Notes

Suitable for use with linear bearings.
Tolerance, h6 standard, special tolerances on request.
Straightness 0,2mm/m.

Tips

Modifications, drilled and tapped holes, retainer grooves, special coatings etc. are available.
Shaft lengths are cut to typically ± 2mm, ends are not hardened.

Order No.	d ₁ tol. h6	l ₁	Depth of hardness min.	Weight kg
L1772.12-0100	12	100	0.6	0.089
L1772.12-0150	12	150	0.6	0.134
L1772.12-0200	12	200	0.6	0.178
L1772.12-0250	12	250	0.6	0.223
L1772.12-0300	12	300	0.6	0.267
L1772.12-0350	12	350	0.6	0.312
L1772.12-0400	12	400	0.6	0.356
L1772.12-0450	12	450	0.6	0.401
L1772.12-0500	12	500	0.6	0.445
L1772.12-0550	12	550	0.6	0.490
L1772.12-0600	12	600	0.6	0.534
L1772.12-0650	12	650	0.6	0.579
L1772.12-0700	12	700	0.6	0.623
L1772.12-0750	12	750	0.6	0.668
L1772.12-0800	12	800	0.6	0.712
L1772.12-0850	12	850	0.6	0.757
L1772.12-0900	12	900	0.6	0.801
L1772.12-0950	12	950	0.6	0.846
L1772.12-1000	12	1000	0.6	0.890
L1772.12-1050	12	1050	0.6	0.935
L1772.12-1100	12	1100	0.6	0.979
L1772.12-1150	12	1150	0.6	1.024
L1772.12-1200	12	1200	0.6	1.068
L1772.12-1250	12	1250	0.6	1.113
L1772.12-1300	12	1300	0.6	1.157
L1772.12-1350	12	1350	0.6	1.202
L1772.12-1400	12	1400	0.6	1.246
L1772.12-1450	12	1450	0.6	1.291
L1772.12-1500	12	1500	0.6	1.335
L1772.12-1550	12	1550	0.6	1.380
L1772.12-1600	12	1600	0.6	1.424



Order No.	d ₁ tol. h6	l ₁	Depth of hardness min.	Weight kg
L1772.12-1650	12	1650	0.6	1.469
L1772.12-1700	12	1700	0.6	1.513
L1772.12-1750	12	1750	0.6	1.558
L1772.12-1800	12	1800	0.6	1.602
L1772.12-1850	12	1850	0.6	1.647
L1772.12-1900	12	1900	0.6	1.691
L1772.12-1950	12	1950	0.6	1.736
L1772.12-2000	12	2000	0.6	1.780
L1772.12-2050	12	2050	0.6	1.825
L1772.12-2100	12	2100	0.6	1.869
L1772.12-2150	12	2150	0.6	1.914
L1772.12-2200	12	2200	0.6	1.958
L1772.12-2250	12	2250	0.6	2.003
L1772.12-2300	12	2300	0.6	2.047
L1772.12-2350	12	2350	0.6	2.092
L1772.12-2400	12	2400	0.6	2.136
L1772.12-2450	12	2450	0.6	2.181
L1772.12-2500	12	2500	0.6	2.225
L1772.12-2550	12	2550	0.6	2.270
L1772.12-2600	12	2600	0.6	2.314
L1772.12-2650	12	2650	0.6	2.359
L1772.12-2700	12	2700	0.6	2.403
L1772.12-2750	12	2750	0.6	2.448
L1772.12-2800	12	2800	0.6	2.492
L1772.12-2850	12	2850	0.6	2.537
L1772.12-2900	12	2900	0.6	2.581
L1772.12-2950	12	2950	0.6	2.626
L1772.12-3000	12	3000	0.6	2.670
L1772.12-3050	12	3050	0.6	2.715
L1772.12-3100	12	3100	0.6	2.759
L1772.12-3150	12	3150	0.6	2.804
L1772.12-3200	12	3200	0.6	2.848
L1772.12-3250	12	3250	0.6	2.893
L1772.12-3300	12	3300	0.6	2.937
L1772.12-3350	12	3350	0.6	2.982
L1772.12-3400	12	3400	0.6	3.026
L1772.12-3450	12	3450	0.6	3.071
L1772.12-3500	12	3500	0.6	3.115
L1772.12-3550	12	3550	0.6	3.160
L1772.12-3600	12	3600	0.6	3.204
L1772.12-3650	12	3650	0.6	3.249
L1772.12-3700	12	3700	0.6	3.293
L1772.12-3750	12	3750	0.6	3.338
L1772.12-3800	12	3800	0.6	3.382
L1772.12-3850	12	3850	0.6	3.427
L1772.12-3900	12	3900	0.6	3.471
L1772.12-3950	12	3950	0.6	3.516
L1772.12-4000	12	4000	0.6	3.560
L1772.12-4050	12	4050	0.6	3.605
L1772.12-4100	12	4100	0.6	3.649
L1772.12-4150	12	4150	0.6	3.694
L1772.12-4200	12	4200	0.6	3.738
L1772.12-4250	12	4250	0.6	3.783
L1772.12-4300	12	4300	0.6	3.827
L1772.12-4350	12	4350	0.6	3.872
L1772.12-4400	12	4400	0.6	3.916
L1772.12-4450	12	4450	0.6	3.961
L1772.12-4500	12	4500	0.6	4.005
L1772.12-4550	12	4550	0.6	4.050
L1772.12-4600	12	4600	0.6	4.094
L1772.12-4650	12	4650	0.6	4.139
L1772.12-4700	12	4700	0.6	4.183
L1772.12-4750	12	4750	0.6	4.228
L1772.12-4800	12	4800	0.6	4.272
L1772.12-4850	12	4850	0.6	4.317
L1772.12-4900	12	4900	0.6	4.361
L1772.12-4950	12	4950	0.6	4.406
L1772.12-5000	12	5000	0.6	4.450

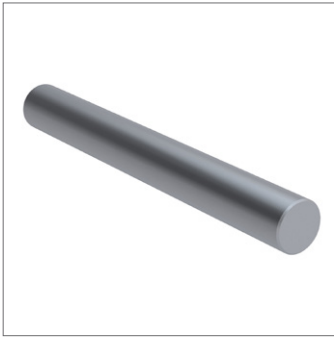


Ø12 Hardened Stainless Shafts for linear bearings

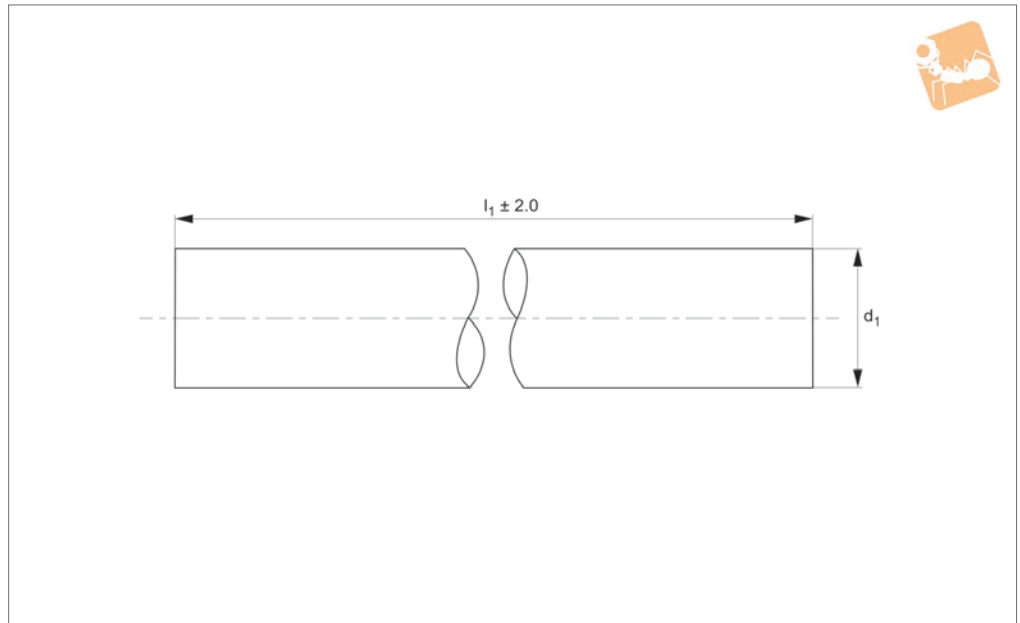
Linear Shaft Bars

Order No.	d ₁ tol. h6	l ₁	Depth of hardness min.	Weight kg
L1772.12-5050	12	5050	0.6	4.495
L1772.12-5100	12	5100	0.6	4.539
L1772.12-5150	12	5150	0.6	4.584
L1772.12-5200	12	5200	0.6	4.628
L1772.12-5250	12	5250	0.6	4.673
L1772.12-5300	12	5300	0.6	4.717
L1772.12-5350	12	5350	0.6	4.762
L1772.12-5400	12	5400	0.6	4.806
L1772.12-5450	12	5450	0.6	4.851
L1772.12-5500	12	5500	0.6	4.895
L1772.12-5550	12	5550	0.6	4.940
L1772.12-5600	12	5600	0.6	4.984
L1772.12-5650	12	5650	0.6	5.029
L1772.12-5700	12	5700	0.6	5.073
L1772.12-5750	12	5750	0.6	5.118
L1772.12-5800	12	5800	0.6	5.162
L1772.12-5850	12	5850	0.6	5.207
L1772.12-5900	12	5900	0.6	5.251
L1772.12-5950	12	5950	0.6	5.296
L1772.12-6000	12	6000	0.6	5.340

LINEAR SHAFT BARS



L1772.16



Material

Corrosion resistant stainless steel (440C, DIN 1.4112, X90 CrMo18) hardened.
Surface hardness 53-56 HRC, Rht 450Hv2.
Surface finish 0.3-0.6µ Ra, ground and polished to 8-12 cla.
Yield stress: >420 N/mm².

Tensile strength: >785 N/mm².

Technical Notes

Suitable for use with linear bearings.
Tolerance, h6 standard, special tolerances on request.
Straightness 0,2mm/m.

Tips

Modifications, drilled and tapped holes, retainer grooves, special coatings etc. are available.
Shaft lengths are cut to typically ± 2 mm, ends are not hardened.

Order No.	d_1 tol. h6	l_1	Depth of hardness min.	Weight kg
L1772.16-0100	16	100	0.6	0.158
L1772.16-0150	16	150	0.6	0.237
L1772.16-0200	16	200	0.6	0.316
L1772.16-0250	16	250	0.6	0.395
L1772.16-0300	16	300	0.6	0.474
L1772.16-0350	16	350	0.6	0.553
L1772.16-0400	16	400	0.6	0.632
L1772.16-0450	16	450	0.6	0.711
L1772.16-0500	16	500	0.6	0.790
L1772.16-0550	16	550	0.6	0.869
L1772.16-0600	16	600	0.6	0.948
L1772.16-0650	16	650	0.6	1.027
L1772.16-0700	16	700	0.6	1.106
L1772.16-0750	16	750	0.6	1.185
L1772.16-0800	16	800	0.6	1.264
L1772.16-0850	16	850	0.6	1.343
L1772.16-0900	16	900	0.6	1.422
L1772.16-0950	16	950	0.6	1.501
L1772.16-1000	16	1000	0.6	1.580
L1772.16-1050	16	1050	0.6	1.659
L1772.16-1100	16	1100	0.6	1.738
L1772.16-1150	16	1150	0.6	1.817
L1772.16-1200	16	1200	0.6	1.896
L1772.16-1250	16	1250	0.6	1.975
L1772.16-1300	16	1300	0.6	2.054
L1772.16-1350	16	1350	0.6	2.133
L1772.16-1400	16	1400	0.6	2.212
L1772.16-1450	16	1450	0.6	2.291
L1772.16-1500	16	1500	0.6	2.370
L1772.16-1550	16	1550	0.6	2.449
L1772.16-1600	16	1600	0.6	2.528



Ø16 Hardened Stainless Shafts for linear bearings

Linear Shaft
Bars

Order No.	d ₁ tol. h6	l ₁	Depth of hardness min.	Weight kg
L1772.16-1650	16	1650	0.6	2.607
L1772.16-1700	16	1700	0.6	2.686
L1772.16-1750	16	1750	0.6	2.765
L1772.16-1800	16	1800	0.6	2.844
L1772.16-1850	16	1850	0.6	2.923
L1772.16-1900	16	1900	0.6	3.002
L1772.16-1950	16	1950	0.6	3.081
L1772.16-2000	16	2000	0.6	3.160
L1772.16-2050	16	2050	0.6	3.239
L1772.16-2100	16	2100	0.6	3.318
L1772.16-2150	16	2150	0.6	3.397
L1772.16-2200	16	2200	0.6	3.476
L1772.16-2250	16	2250	0.6	3.555
L1772.16-2300	16	2300	0.6	3.634
L1772.16-2350	16	2350	0.6	3.713
L1772.16-2400	16	2400	0.6	3.792
L1772.16-2450	16	2450	0.6	3.871
L1772.16-2500	16	2500	0.6	3.950
L1772.16-2550	16	2550	0.6	4.029
L1772.16-2600	16	2600	0.6	4.108
L1772.16-2650	16	2650	0.6	4.187
L1772.16-2700	16	2700	0.6	4.266
L1772.16-2750	16	2750	0.6	4.345
L1772.16-2800	16	2800	0.6	4.424
L1772.16-2850	16	2850	0.6	4.503
L1772.16-2900	16	2900	0.6	4.582
L1772.16-2950	16	2950	0.6	4.661
L1772.16-3000	16	3000	0.6	4.740
L1772.16-3050	16	3050	0.6	4.819
L1772.16-3100	16	3100	0.6	4.898
L1772.16-3150	16	3150	0.6	4.977
L1772.16-3200	16	3200	0.6	5.056
L1772.16-3250	16	3250	0.6	5.135
L1772.16-3300	16	3300	0.6	5.214
L1772.16-3350	16	3350	0.6	5.293
L1772.16-3400	16	3400	0.6	5.372
L1772.16-3450	16	3450	0.6	5.451
L1772.16-3500	16	3500	0.6	5.530
L1772.16-3550	16	3550	0.6	5.609
L1772.16-3600	16	3600	0.6	5.688
L1772.16-3650	16	3650	0.6	5.767
L1772.16-3700	16	3700	0.6	5.846
L1772.16-3750	16	3750	0.6	5.925
L1772.16-3800	16	3800	0.6	6.004
L1772.16-3850	16	3850	0.6	6.083
L1772.16-3900	16	3900	0.6	6.162
L1772.16-3950	16	3950	0.6	6.241
L1772.16-4000	16	4000	0.6	6.320
L1772.16-4050	16	4050	0.6	6.399
L1772.16-4100	16	4100	0.6	6.478
L1772.16-4150	16	4150	0.6	6.557
L1772.16-4200	16	4200	0.6	6.636
L1772.16-4250	16	4250	0.6	6.715
L1772.16-4300	16	4300	0.6	6.794
L1772.16-4350	16	4350	0.6	6.873
L1772.16-4400	16	4400	0.6	6.952
L1772.16-4450	16	4450	0.6	7.031
L1772.16-4500	16	4500	0.6	7.110
L1772.16-4550	16	4550	0.6	7.189
L1772.16-4600	16	4600	0.6	7.268
L1772.16-4650	16	4650	0.6	7.347
L1772.16-4700	16	4700	0.6	7.426
L1772.16-4750	16	4750	0.6	7.505
L1772.16-4800	16	4800	0.6	7.584
L1772.16-4850	16	4850	0.6	7.663
L1772.16-4900	16	4900	0.6	7.742
L1772.16-4950	16	4950	0.6	7.821
L1772.16-5000	16	5000	0.6	7.900

LINEAR SHAFT BARS

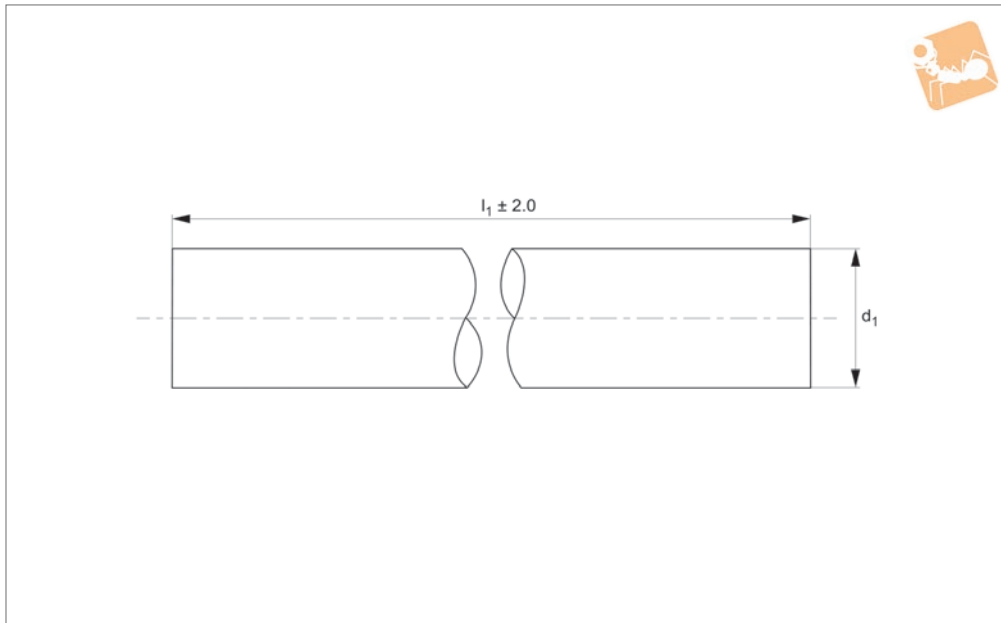


Order No.	d ₁ tol. h6	l ₁	Depth of hardness min.	Weight kg
L1772.16-5050	16	5050	0.6	7.979
L1772.16-5100	16	5100	0.6	8.058
L1772.16-5150	16	5150	0.6	8.137
L1772.16-5200	16	5200	0.6	8.216
L1772.16-5250	16	5250	0.6	8.295
L1772.16-5300	16	5300	0.6	8.374
L1772.16-5350	16	5350	0.6	8.453
L1772.16-5400	16	5400	0.6	8.532
L1772.16-5450	16	5450	0.6	8.611
L1772.16-5500	16	5500	0.6	8.690
L1772.16-5550	16	5550	0.6	8.769
L1772.16-5600	16	5600	0.6	8.848
L1772.16-5650	16	5650	0.6	8.927
L1772.16-5700	16	5700	0.6	9.006
L1772.16-5750	16	5750	0.6	9.085
L1772.16-5800	16	5800	0.6	9.164
L1772.16-5850	16	5850	0.6	9.243
L1772.16-5900	16	5900	0.6	9.322
L1772.16-5950	16	5950	0.6	9.401
L1772.16-6000	16	6000	0.6	9.480



Ø20 Hardened Stainless Shafts for linear bearings

Linear Shaft Bars



L1772.20

LINEAR SHAFT BARS

Material

Corrosion resistant stainless steel (440C, DIN 1.4112, X90 CrMo18) hardened.
Surface hardness 53-56 HRC, Rht 450Hv2.
Surface finish 0.3-0.6µ Ra, ground and polished to 8-12 cla.
Yield stress: >420 N/mm².

Tensile strength: >785 N/mm².

Technical Notes

Suitable for use with linear bearings.
Tolerance, h6 standard, special tolerances on request.
Straightness 0,2mm/m.

Tips

Modifications, drilled and tapped holes, retainer grooves, special coatings etc. are available.
Shaft lengths are cut to typically ± 2mm, ends are not hardened.

Order No.	d ₁ tol. h6	l ₁	Depth of hardness min.	Weight kg
L1772.20-0100	20	100	0.9	0.247
L1772.20-0150	20	150	0.9	0.371
L1772.20-0200	20	200	0.9	0.494
L1772.20-0250	20	250	0.9	0.618
L1772.20-0300	20	300	0.9	0.741
L1772.20-0350	20	350	0.9	0.865
L1772.20-0400	20	400	0.9	0.988
L1772.20-0450	20	450	0.9	1.112
L1772.20-0500	20	500	0.9	1.235
L1772.20-0550	20	550	0.9	1.359
L1772.20-0600	20	600	0.9	1.482
L1772.20-0650	20	650	0.9	1.606
L1772.20-0700	20	700	0.9	1.729
L1772.20-0750	20	750	0.9	1.853
L1772.20-0800	20	800	0.9	1.976
L1772.20-0850	20	850	0.9	2.100
L1772.20-0900	20	900	0.9	2.223
L1772.20-0950	20	950	0.9	2.347
L1772.20-1000	20	1000	0.9	2.470
L1772.20-1050	20	1050	0.9	2.594
L1772.20-1100	20	1100	0.9	2.717
L1772.20-1150	20	1150	0.9	2.841
L1772.20-1200	20	1200	0.9	2.964
L1772.20-1250	20	1250	0.9	3.088
L1772.20-1300	20	1300	0.9	3.211
L1772.20-1350	20	1350	0.9	3.335
L1772.20-1400	20	1400	0.9	3.458
L1772.20-1450	20	1450	0.9	3.582
L1772.20-1500	20	1500	0.9	3.705
L1772.20-1550	20	1550	0.9	3.829
L1772.20-1600	20	1600	0.9	3.952



Order No.	d ₁ tol. h6	l ₁	Depth of hardness min.	Weight kg
L1772.20-1650	20	1650	0.9	4.076
L1772.20-1700	20	1700	0.9	4.199
L1772.20-1750	20	1750	0.9	4.323
L1772.20-1800	20	1800	0.9	4.446
L1772.20-1850	20	1850	0.9	4.570
L1772.20-1900	20	1900	0.9	4.693
L1772.20-1950	20	1950	0.9	4.817
L1772.20-2000	20	2000	0.9	4.940
L1772.20-2050	20	2050	0.9	5.064
L1772.20-2100	20	2100	0.9	5.187
L1772.20-2150	20	2150	0.9	5.311
L1772.20-2200	20	2200	0.9	5.434
L1772.20-2250	20	2200	0.9	5.558
L1772.20-2300	20	2300	0.9	5.681
L1772.20-2350	20	2350	0.9	5.805
L1772.20-2400	20	2400	0.9	5.928
L1772.20-2450	20	2450	0.9	6.052
L1772.20-2500	20	2500	0.9	6.175
L1772.20-2550	20	2550	0.9	6.299
L1772.20-2600	20	2600	0.9	6.422
L1772.20-2650	20	2650	0.9	6.546
L1772.20-2700	20	2700	0.9	6.669
L1772.20-2750	20	2750	0.9	6.793
L1772.20-2800	20	2800	0.9	6.916
L1772.20-2850	20	2850	0.9	7.040
L1772.20-2900	20	2900	0.9	7.163
L1772.20-2950	20	2950	0.9	7.287
L1772.20-3000	20	3000	0.9	7.410
L1772.20-3050	20	3050	0.9	7.534
L1772.20-3100	20	3100	0.9	7.657
L1772.20-3150	20	3150	0.9	7.781
L1772.20-3200	20	3200	0.9	7.904
L1772.20-3250	20	3250	0.9	8.028
L1772.20-3300	20	3300	0.9	8.151
L1772.20-3350	20	3350	0.9	8.275
L1772.20-3400	20	3400	0.9	8.398
L1772.20-3450	20	3450	0.9	8.522
L1772.20-3500	20	3500	0.9	8.645
L1772.20-3550	20	3550	0.9	8.769
L1772.20-3600	20	3600	0.9	8.892
L1772.20-3650	20	3650	0.9	9.016
L1772.20-3700	20	3700	0.9	9.139
L1772.20-3750	20	3750	0.9	9.263
L1772.20-3800	20	3800	0.9	9.386
L1772.20-3850	20	3850	0.9	9.510
L1772.20-3900	20	3900	0.9	9.633
L1772.20-3950	20	3950	0.9	9.757
L1772.20-4000	20	4000	0.9	9.880
L1772.20-4050	20	4050	0.9	10.004
L1772.20-4100	20	4100	0.9	10.127
L1772.20-4150	20	4150	0.9	10.251
L1772.20-4200	20	4200	0.9	10.374
L1772.20-4250	20	4250	0.9	10.498
L1772.20-4300	20	4300	0.9	10.621
L1772.20-4350	20	4350	0.9	10.745
L1772.20-4400	20	4400	0.9	10.868
L1772.20-4450	20	4450	0.9	10.992
L1772.20-4500	20	4500	0.9	11.115
L1772.20-4550	20	4550	0.9	11.239
L1772.20-4600	20	4600	0.9	11.362
L1772.20-4650	20	4650	0.9	11.486
L1772.20-4700	20	4700	0.9	11.609
L1772.20-4750	20	4750	0.9	11.733
L1772.20-4800	20	4800	0.9	11.856
L1772.20-4850	20	4850	0.9	11.980
L1772.20-4900	20	4900	0.9	12.103
L1772.20-4950	20	4950	0.9	12.227
L1772.20-5000	20	5000	0.9	12.350



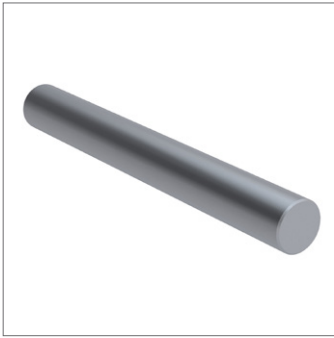
Ø20 Hardened Stainless Shafts for linear bearings

Linear Shaft Bars

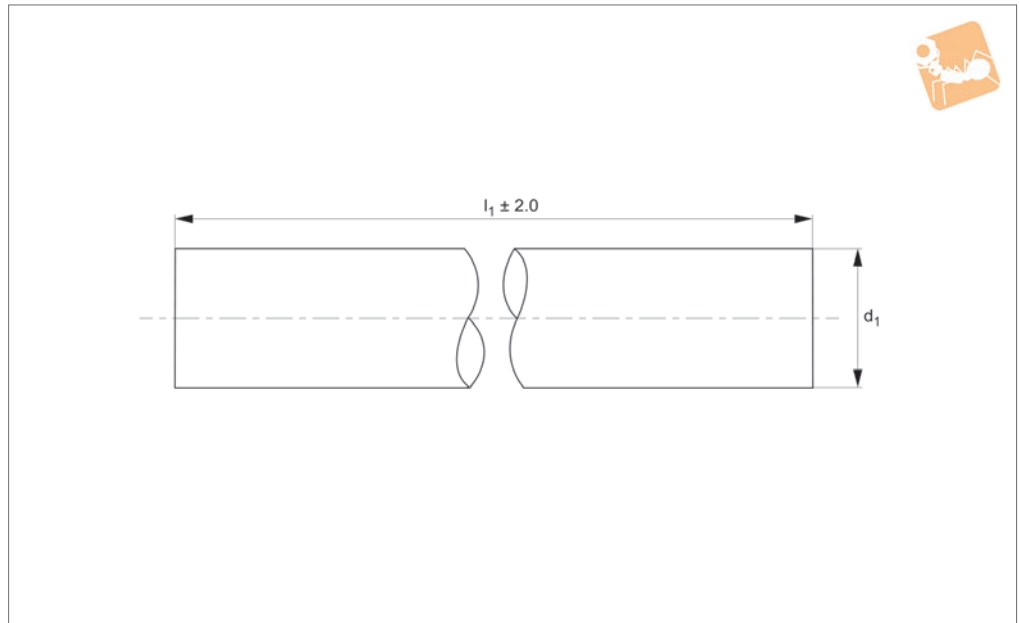


Order No.	d ₁ tol. h6	l ₁	Depth of hardness min.	Weight kg
L1772.20-5050	20	5050	0.9	12.474
L1772.20-5100	20	5100	0.9	12.597
L1772.20-5150	20	5150	0.9	12.721
L1772.20-5200	20	5200	0.9	12.844
L1772.20-5250	20	5250	0.9	12.968
L1772.20-5300	20	5300	0.9	13.091
L1772.20-5350	20	5350	0.9	13.215
L1772.20-5400	20	5400	0.9	13.338
L1772.20-5450	20	5450	0.9	13.462
L1772.20-5500	20	5500	0.9	13.585
L1772.20-5550	20	5550	0.9	13.709
L1772.20-5600	20	5600	0.9	13.832
L1772.20-5650	20	5650	0.9	13.956
L1772.20-5700	20	5700	0.9	14.079
L1772.20-5750	20	5750	0.9	14.203
L1772.20-5800	20	5800	0.9	14.326
L1772.20-5850	20	5850	0.9	14.450
L1772.20-5900	20	5900	0.9	14.573
L1772.20-5950	20	5950	0.9	14.697
L1772.20-6000	20	6000	0.9	14.820

LINEAR SHAFT BARS



L1772.25



Material

Corrosion resistant stainless steel (440C, DIN 1.4112, X90 CrMo18) hardened.
Surface hardness 53-56 HRC, Rht 450Hv2.
Surface finish 0.3-0.6µ Ra, ground and polished to 8-12 cla.
Yield stress: >420 N/mm².

Tensile strength: >785 N/mm².

Technical Notes

Suitable for use with linear bearings.
Tolerance, h6 standard, special tolerances on request.
Straightness 0,1mm/m.

Tips

Modifications, drilled and tapped holes, retainer grooves, special coatings etc. are available.
Shaft lengths are cut to typically ± 2mm, ends are not hardened.

Order No.	d ₁ tol. h6	l ₁	Depth of hardness min.	Weight kg
L1772.25-0100	25	100	0.9	0.385
L1772.25-0150	25	150	0.9	0.578
L1772.25-0200	25	200	0.9	0.770
L1772.25-0250	25	250	0.9	0.963
L1772.25-0300	25	300	0.9	1.155
L1772.25-0350	25	350	0.9	1.348
L1772.25-0400	25	400	0.9	1.540
L1772.25-0450	25	450	0.9	1.733
L1772.25-0500	25	500	0.9	1.925
L1772.25-0550	25	550	0.9	2.118
L1772.25-0600	25	600	0.9	2.310
L1772.25-0650	25	650	0.9	2.503
L1772.25-0700	25	700	0.9	2.695
L1772.25-0750	25	750	0.9	2.888
L1772.25-0800	25	800	0.9	3.080
L1772.25-0850	25	850	0.9	3.273
L1772.25-0900	25	900	0.9	3.465
L1772.25-0950	25	950	0.9	3.658
L1772.25-1000	25	1000	0.9	3.850
L1772.25-1050	25	1050	0.9	4.043
L1772.25-1100	25	1100	0.9	4.235
L1772.25-1150	25	1150	0.9	4.428
L1772.25-1200	25	1200	0.9	4.620
L1772.25-1250	25	1250	0.9	4.813
L1772.25-1300	25	1300	0.9	5.005
L1772.25-1350	25	1350	0.9	5.198
L1772.25-1400	25	1400	0.9	5.390
L1772.25-1450	25	1450	0.9	5.583
L1772.25-1500	25	1500	0.9	5.775
L1772.25-1550	25	1550	0.9	5.968
L1772.25-1600	25	1600	0.9	6.160



Ø25 Hardened Stainless Shafts for linear bearings

Linear Shaft
Bars

Order No.	d ₁ tol. h6	l ₁	Depth of hardness min.	Weight kg
L1772.25-1650	25	1650	0.9	6.353
L1772.25-1700	25	1700	0.9	6.545
L1772.25-1750	25	1750	0.9	6.738
L1772.25-1800	25	1800	0.9	6.930
L1772.25-1850	25	1850	0.9	7.123
L1772.25-1900	25	1900	0.9	7.315
L1772.25-1950	25	1950	0.9	7.508
L1772.25-2000	25	2000	0.9	7.700
L1772.25-2050	25	2050	0.9	7.893
L1772.25-2100	25	2100	0.9	8.085
L1772.25-2150	25	2150	0.9	8.278
L1772.25-2200	25	2200	0.9	8.470
L1772.25-2250	25	2250	0.9	8.663
L1772.25-2300	25	2300	0.9	8.855
L1772.25-2350	25	2350	0.9	9.048
L1772.25-2400	25	2400	0.9	9.240
L1772.25-2450	25	2450	0.9	9.433
L1772.25-2500	25	2500	0.9	9.625
L1772.25-2550	25	2550	0.9	9.818
L1772.25-2600	25	2600	0.9	10.010
L1772.25-2650	25	2650	0.9	10.203
L1772.25-2700	25	2700	0.9	10.395
L1772.25-2750	25	2750	0.9	10.588
L1772.25-2800	25	2800	0.9	10.780
L1772.25-2850	25	2850	0.9	10.973
L1772.25-2900	25	2900	0.9	11.165
L1772.25-2950	25	2950	0.9	11.358
L1772.25-3000	25	3000	0.9	11.550
L1772.25-3050	25	3050	0.9	11.743
L1772.25-3100	25	3100	0.9	11.935
L1772.25-3150	25	3150	0.9	12.128
L1772.25-3200	25	3200	0.9	12.320
L1772.25-3250	25	3250	0.9	12.513
L1772.25-3300	25	3300	0.9	12.705
L1772.25-3350	25	3350	0.9	12.898
L1772.25-3400	25	3400	0.9	13.090
L1772.25-3450	25	3450	0.9	13.283
L1772.25-3500	25	3500	0.9	13.475
L1772.25-3550	25	3550	0.9	13.668
L1772.25-3600	25	3600	0.9	13.860
L1772.25-3650	25	3650	0.9	14.053
L1772.25-3700	25	3700	0.9	14.245
L1772.25-3750	25	3750	0.9	14.438
L1772.25-3800	25	3800	0.9	14.630
L1772.25-3850	25	3850	0.9	14.823
L1772.25-3900	25	3900	0.9	15.015
L1772.25-3950	25	3950	0.9	15.208
L1772.25-4000	25	4000	0.9	15.400
L1772.25-4050	25	4050	0.9	15.593
L1772.25-4100	25	4100	0.9	15.785
L1772.25-4150	25	4150	0.9	15.978
L1772.25-4200	25	4200	0.9	16.170
L1772.25-4250	25	4250	0.9	16.363
L1772.25-4300	25	4300	0.9	16.555
L1772.25-4350	25	4350	0.9	16.748
L1772.25-4400	25	4400	0.9	16.940
L1772.25-4450	25	4450	0.9	17.133
L1772.25-4500	25	4500	0.9	17.325
L1772.25-4550	25	4550	0.9	17.518
L1772.25-4600	25	4600	0.9	17.710
L1772.25-4650	25	4650	0.9	17.903
L1772.25-4700	25	4700	0.9	18.095
L1772.25-4750	25	4750	0.9	18.288
L1772.25-4800	25	4800	0.9	18.480
L1772.25-4850	25	4850	0.9	18.673
L1772.25-4900	25	4900	0.9	18.865
L1772.25-4950	25	4950	0.9	19.058
L1772.25-5000	25	5000	0.9	19.250

LINEAR SHAFT BARS

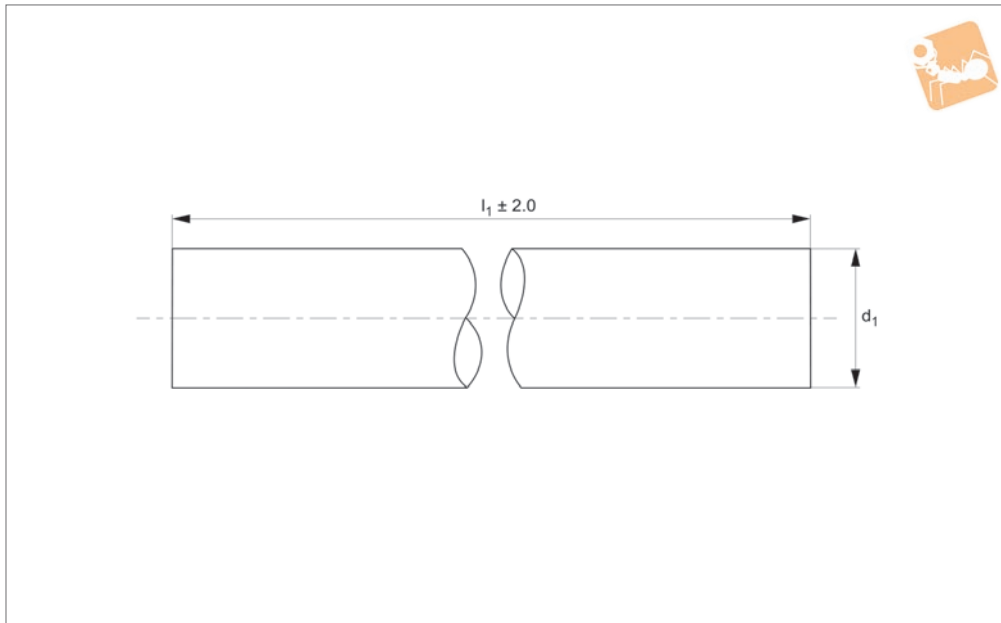


Order No.	d ₁ tol. h6	l ₁	Depth of hardness min.	Weight kg
L1772.25-5050	25	5050	0.9	19.443
L1772.25-5100	25	5100	0.9	19.635
L1772.25-5150	25	5150	0.9	19.828
L1772.25-5200	25	5200	0.9	20.020
L1772.25-5250	25	5250	0.9	20.213
L1772.25-5300	25	5300	0.9	20.405
L1772.25-5350	25	5350	0.9	20.598
L1772.25-5400	25	5400	0.9	20.790
L1772.25-5450	25	5450	0.9	20.983
L1772.25-5500	25	5500	0.9	21.175
L1772.25-5550	25	5550	0.9	21.368
L1772.25-5600	25	5600	0.9	21.560
L1772.25-5650	25	5650	0.9	21.753
L1772.25-5700	25	5700	0.9	21.945
L1772.25-5750	25	5750	0.9	22.138
L1772.25-5800	25	5800	0.9	22.330
L1772.25-5850	25	5850	0.9	22.523
L1772.25-5900	25	5900	0.9	22.715
L1772.25-5950	25	5950	0.9	22.908
L1772.25-6000	25	6000	0.9	23.100



Ø30 Hardened Stainless Shafts for linear bearings

Linear Shaft Bars



L1772.30

LINEAR SHAFT BARS

Material

Corrosion resistant stainless steel (440C, DIN 1.4112, X90 CrMo18) hardened.
Surface hardness 53-56 HRC, Rht 450Hv2.
Surface finish 0.3-0.6µ Ra, ground and polished to 8-12 cla.
Yield stress: >420 N/mm².

Tensile strength: >785 N/mm².

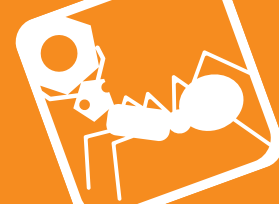
Technical Notes

Suitable for use with linear bearings.
Tolerance, h6 standard, special tolerances on request.
Straightness 0,1mm/m.

Tips

Modifications, drilled and tapped holes, retainer grooves, special coatings etc. are available.
Shaft lengths are cut to typically ± 2mm, ends are not hardened.

Order No.	d ₁ tol. h6	l ₁	Depth of hardness min.	Weight kg
L1772.30-0100	30	100	1.5	0.555
L1772.30-0150	30	150	1.5	0.833
L1772.30-0200	30	200	1.5	1.110
L1772.30-0250	30	250	1.5	1.388
L1772.30-0300	30	300	1.5	1.665
L1772.30-0350	30	350	1.5	1.943
L1772.30-0400	30	400	1.5	2.220
L1772.30-0450	30	450	1.5	2.498
L1772.30-0500	30	500	1.5	2.775
L1772.30-0550	30	550	1.5	3.053
L1772.30-0600	30	600	1.5	3.330
L1772.30-0650	30	650	1.5	3.608
L1772.30-0700	30	700	1.5	3.885
L1772.30-0750	30	750	1.5	4.163
L1772.30-0800	30	800	1.5	4.440
L1772.30-0850	30	850	1.5	4.718
L1772.30-0900	30	900	1.5	4.995
L1772.30-0950	30	950	1.5	5.273
L1772.30-1000	30	1000	1.5	5.550
L1772.30-1050	30	1050	1.5	5.828
L1772.30-1100	30	1100	1.5	6.105
L1772.30-1150	30	1150	1.5	6.383
L1772.30-1200	30	1200	1.5	6.660
L1772.30-1250	30	1250	1.5	6.938
L1772.30-1300	30	1300	1.5	7.215
L1772.30-1350	30	1350	1.5	7.493
L1772.30-1400	30	1400	1.5	7.770
L1772.30-1450	30	1450	1.5	8.048
L1772.30-1500	30	1500	1.5	8.325
L1772.30-1550	30	1550	1.5	8.603
L1772.30-1600	30	1600	1.5	8.880



Order No.	d ₁ tol. h6	l ₁	Depth of hardness min.	Weight kg
L1772.30-1650	30	1650	1.5	9.158
L1772.30-1700	30	1700	1.5	9.435
L1772.30-1750	30	1750	1.5	9.713
L1772.30-1800	30	1800	1.5	9.990
L1772.30-1850	30	1850	1.5	10.268
L1772.30-1900	30	1900	1.5	10.545
L1772.30-1950	30	1950	1.5	10.823
L1772.30-2000	30	2000	1.5	11.100
L1772.30-2050	30	2050	1.5	11.378
L1772.30-2100	30	2100	1.5	11.655
L1772.30-2150	30	2150	1.5	11.933
L1772.30-2200	30	2200	1.5	12.210
L1772.30-2250	30	2250	1.5	12.488
L1772.30-2300	30	2300	1.5	12.765
L1772.30-2350	30	2350	1.5	13.043
L1772.30-2400	30	2400	1.5	13.320
L1772.30-2450	30	2450	1.5	13.598
L1772.30-2500	30	2500	1.5	13.875
L1772.30-2550	30	2550	1.5	14.153
L1772.30-2600	30	2600	1.5	14.430
L1772.30-2650	30	2650	1.5	14.708
L1772.30-2700	30	2700	1.5	14.985
L1772.30-2750	30	2750	1.5	15.263
L1772.30-2800	30	2800	1.5	15.540
L1772.30-2850	30	2850	1.5	15.818
L1772.30-2900	30	2900	1.5	16.095
L1772.30-2950	30	2950	1.5	16.373
L1772.30-3000	30	3000	1.5	16.650
L1772.30-3050	30	3050	1.5	16.928
L1772.30-3100	30	3100	1.5	17.205
L1772.30-3150	30	3150	1.5	17.483
L1772.30-3200	30	3200	1.5	17.760
L1772.30-3250	30	3250	1.5	18.038
L1772.30-3300	30	3300	1.5	18.315
L1772.30-3350	30	3350	1.5	18.593
L1772.30-3400	30	3400	1.5	18.870
L1772.30-3450	30	3450	1.5	19.148
L1772.30-3500	30	3500	1.5	19.425
L1772.30-3550	30	3550	1.5	19.703
L1772.30-3600	30	3600	1.5	19.980
L1772.30-3650	30	3650	1.5	20.258
L1772.30-3700	30	3700	1.5	20.535
L1772.30-3750	30	3750	1.5	20.813
L1772.30-3800	30	3800	1.5	21.090
L1772.30-3850	30	3850	1.5	21.368
L1772.30-3900	30	3900	1.5	21.645
L1772.30-3950	30	3950	1.5	21.923
L1772.30-4000	30	4000	1.5	22.200
L1772.30-4050	30	4050	1.5	22.478
L1772.30-4100	30	4100	1.5	22.755
L1772.30-4150	30	4150	1.5	23.033
L1772.30-4200	30	4200	1.5	23.310
L1772.30-4250	30	4250	1.5	23.588
L1772.30-4300	30	4300	1.5	23.865
L1772.30-4350	30	4350	1.5	24.143
L1772.30-4400	30	4400	1.5	24.420
L1772.30-4450	30	4450	1.5	24.698
L1772.30-4500	30	4500	1.5	24.975
L1772.30-4550	30	4550	1.5	25.253
L1772.30-4600	30	4600	1.5	25.530
L1772.30-4650	30	4650	1.5	25.808
L1772.30-4700	30	4700	1.5	26.085
L1772.30-4750	30	4750	1.5	26.363
L1772.30-4800	30	4800	1.5	26.640
L1772.30-4850	30	4850	1.5	26.918
L1772.30-4900	30	4900	1.5	27.195
L1772.30-4950	30	4950	1.5	27.473
L1772.30-5000	30	5000	1.5	27.750

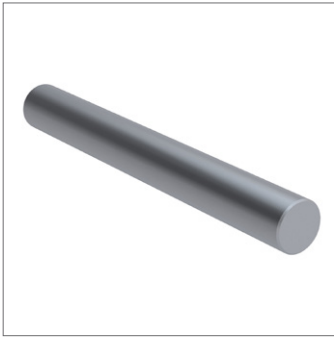


Ø30 Hardened Stainless Shafts for linear bearings

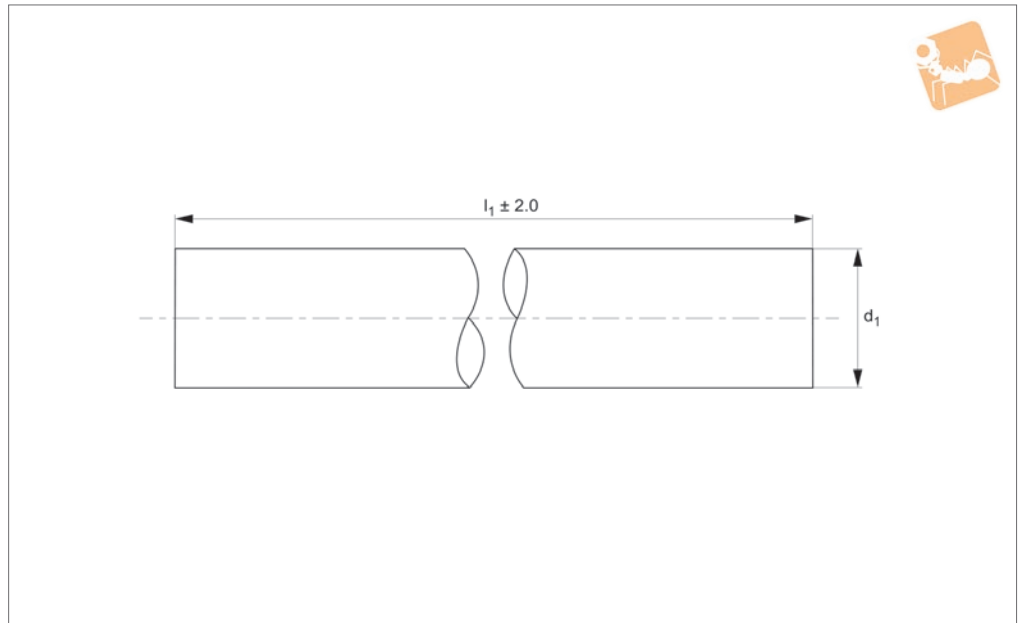
Linear Shaft Bars

Order No.	d ₁ tol. h6	l ₁	Depth of hardness min.	Weight kg
L1772.30-5050	30	5050	1.5	28.028
L1772.30-5100	30	5100	1.5	28.305
L1772.30-5150	30	5150	1.5	28.583
L1772.30-5200	30	5200	1.5	28.860
L1772.30-5250	30	5250	1.5	29.138
L1772.30-5300	30	5300	1.5	29.415
L1772.30-5350	30	5350	1.5	29.693
L1772.30-5400	30	5400	1.5	29.970
L1772.30-5450	30	5450	1.5	30.248
L1772.30-5500	30	5500	1.5	30.525
L1772.30-5550	30	5550	1.5	30.803
L1772.30-5600	30	5600	1.5	31.080
L1772.30-5650	30	5650	1.5	31.358
L1772.30-5700	30	5700	1.5	31.635
L1772.30-5750	30	5750	1.5	31.913
L1772.30-5800	30	5800	1.5	32.190
L1772.30-5850	30	5850	1.5	32.468
L1772.30-5900	30	5900	1.5	32.745
L1772.30-5950	30	5950	1.5	33.023
L1772.30-6000	30	6000	1.5	33.300

LINEAR SHAFT BARS



L1772.40



Material

Corrosion resistant stainless steel (440C, DIN 1.4112, X90 CrMo18) hardened.
Surface hardness 53-56 HRC, Rht 450Hv2.
Surface finish 0.3-0.6µ Ra, ground and polished to 8-12 cla.
Yield stress: >420 N/mm².

Tensile strength: >785 N/mm².

Technical Notes

Suitable for use with linear bearings.
Tolerance, h6 standard, special tolerances on request.
Straightness 0,1mm/m.

Tips

Modifications, drilled and tapped holes, retainer grooves, special coatings etc. are available.
Shaft lengths are cut to typically ± 2mm, ends are not hardened.

Order No.	d ₁ tol. h6	l ₁	Depth of hardness min.	Weight kg
L1772.40-0100	40	100	1.5	0.987
L1772.40-0150	40	150	1.5	1.481
L1772.40-0200	40	200	1.5	1.974
L1772.40-0250	40	250	1.5	2.468
L1772.40-0300	40	300	1.5	2.961
L1772.40-0350	40	350	1.5	3.455
L1772.40-0400	40	400	1.5	3.948
L1772.40-0450	40	450	1.5	4.442
L1772.40-0500	40	500	1.5	4.935
L1772.40-0550	40	550	1.5	5.429
L1772.40-0600	40	600	1.5	5.922
L1772.40-0650	40	650	1.5	6.416
L1772.40-0700	40	700	1.5	6.909
L1772.40-0750	40	750	1.5	7.403
L1772.40-0800	40	800	1.5	7.896
L1772.40-0850	40	850	1.5	8.390
L1772.40-0900	40	900	1.5	8.883
L1772.40-0950	40	950	1.5	9.377
L1772.40-1000	40	1000	1.5	9.870
L1772.40-1050	40	1050	1.5	10.364
L1772.40-1100	40	1100	1.5	10.857
L1772.40-1150	40	1150	1.5	11.351
L1772.40-1200	40	1200	1.5	11.844
L1772.40-1250	40	1250	1.5	12.338
L1772.40-1300	40	1300	1.5	12.831
L1772.40-1350	40	1350	1.5	13.325
L1772.40-1400	40	1400	1.5	13.818
L1772.40-1450	40	1450	1.5	14.312
L1772.40-1500	40	1500	1.5	14.805
L1772.40-1550	40	1550	1.5	15.299
L1772.40-1600	40	1600	1.5	15.792



Ø40 Hardened Stainless Shafts for linear bearings

Linear Shaft
Bars

Order No.	d ₁ tol. h6	l ₁	Depth of hardness min.	Weight kg
L1772.40-1650	40	1650	1.5	16.286
L1772.40-1700	40	1700	1.5	16.779
L1772.40-1750	40	1750	1.5	17.273
L1772.40-1800	40	1800	1.5	17.766
L1772.40-1850	40	1850	1.5	18.260
L1772.40-1900	40	1900	1.5	18.753
L1772.40-1950	40	1950	1.5	19.247
L1772.40-2000	40	2000	1.5	19.740
L1772.40-2050	40	2050	1.5	20.234
L1772.40-2100	40	2100	1.5	20.727
L1772.40-2150	40	2150	1.5	21.221
L1772.40-2200	40	2200	1.5	21.714
L1772.40-2250	40	2250	1.5	22.208
L1772.40-2300	40	2300	1.5	22.701
L1772.40-2350	40	2350	1.5	23.195
L1772.40-2400	40	2400	1.5	23.688
L1772.40-2450	40	2450	1.5	24.182
L1772.40-2500	40	2500	1.5	24.675
L1772.40-2550	40	2550	1.5	25.169
L1772.40-2600	40	2600	1.5	25.662
L1772.40-2650	40	2650	1.5	26.156
L1772.40-2700	40	2700	1.5	26.649
L1772.40-2750	40	2750	1.5	27.143
L1772.40-2800	40	2800	1.5	27.636
L1772.40-2850	40	2850	1.5	28.130
L1772.40-2900	40	2900	1.5	28.623
L1772.40-2950	40	2950	1.5	29.117
L1772.40-3000	40	3000	1.5	29.610
L1772.40-3050	40	3050	1.5	30.104
L1772.40-3100	40	3100	1.5	30.597
L1772.40-3150	40	3150	1.5	31.091
L1772.40-3200	40	3200	1.5	31.584
L1772.40-3250	40	3250	1.5	32.078
L1772.40-3300	40	3300	1.5	32.571
L1772.40-3350	40	3350	1.5	33.065
L1772.40-3400	40	3400	1.5	33.558
L1772.40-3450	40	3450	1.5	34.052
L1772.40-3500	40	3500	1.5	34.545
L1772.40-3550	40	3550	1.5	35.039
L1772.40-3600	40	3600	1.5	35.532
L1772.40-3650	40	3650	1.5	36.026
L1772.40-3700	40	3700	1.5	36.519
L1772.40-3750	40	3750	1.5	37.013
L1772.40-3800	40	3800	1.5	37.506
L1772.40-3850	40	3850	1.5	38.000
L1772.40-3900	40	3900	1.5	38.493
L1772.40-3950	40	3950	1.5	38.987
L1772.40-4000	40	4000	1.5	39.480
L1772.40-4050	40	4050	1.5	39.974
L1772.40-4100	40	4100	1.5	40.467
L1772.40-4150	40	4150	1.5	40.961
L1772.40-4200	40	4200	1.5	41.454
L1772.40-4250	40	4250	1.5	41.948
L1772.40-4300	40	4300	1.5	42.441
L1772.40-4350	40	4350	1.5	42.935
L1772.40-4400	40	4400	1.5	43.428
L1772.40-4450	40	4450	1.5	43.922
L1772.40-4500	40	4500	1.5	44.415
L1772.40-4550	40	4550	1.5	44.909
L1772.40-4600	40	4600	1.5	45.402
L1772.40-4650	40	4650	1.5	45.896
L1772.40-4700	40	4700	1.5	46.389
L1772.40-4750	40	4750	1.5	46.883
L1772.40-4800	40	4800	1.5	47.376
L1772.40-4850	40	4850	1.5	47.870
L1772.40-4900	40	4900	1.5	48.363
L1772.40-4950	40	4950	1.5	48.857
L1772.40-5000	40	5000	1.5	49.350

LINEAR SHAFT BARS

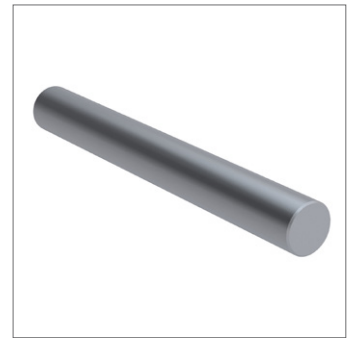
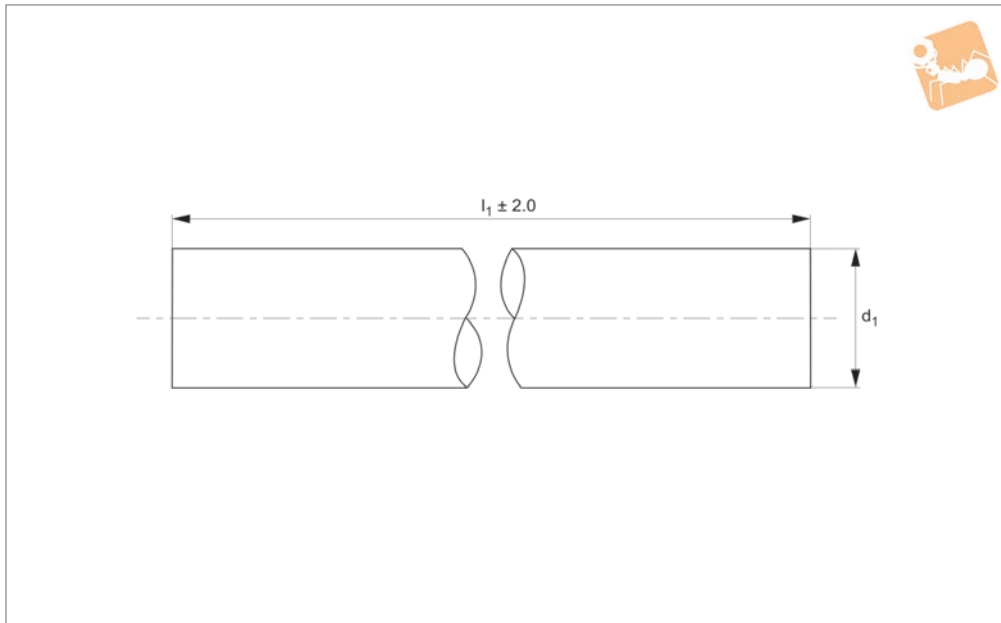


Order No.	d ₁ tol. h6	l ₁	Depth of hardness min.	Weight kg
L1772.40-5050	40	5050	1.5	49.844
L1772.40-5100	40	5100	1.5	50.337
L1772.40-5150	40	5150	1.5	50.831
L1772.40-5200	40	5200	1.5	51.324
L1772.40-5250	40	5250	1.5	51.818
L1772.40-5300	40	5300	1.5	52.311
L1772.40-5350	40	5350	1.5	52.805
L1772.40-5400	40	5400	1.5	53.298
L1772.40-5450	40	5450	1.5	53.792
L1772.40-5500	40	5500	1.5	54.285
L1772.40-5550	40	5550	1.5	54.779
L1772.40-5600	40	5600	1.5	55.272
L1772.40-5650	40	5650	1.5	55.766
L1772.40-5700	40	5700	1.5	56.259
L1772.40-5750	40	5750	1.5	56.753
L1772.40-5800	40	5800	1.5	57.246
L1772.40-5850	40	5850	1.5	57.740
L1772.40-5900	40	5900	1.5	58.233
L1772.40-5950	40	5950	1.5	58.727
L1772.40-6000	40	6000	1.5	59.220



Ø50 Hardened Stainless Shafts for linear bearings

Linear Shaft Bars



L1772.50

LINEAR SHAFT BARS

Material

Corrosion resistant stainless steel (440C, DIN 1.4112, X90 CrMo18) hardened.
Surface hardness 53-56 HRC, Rht 450Hv2.
Surface finish 0.3-0.6µ Ra, ground and polished to 8-12 cla.
Yield stress: >420 N/mm².

Tensile strength: >785 N/mm².

Technical Notes

Suitable for use with linear bearings.
Tolerance, h6 standard, special tolerances on request.
Straightness 0,1mm/m.

Tips

Modifications, drilled and tapped holes, retainer grooves, special coatings etc. are available.
Shaft lengths are cut to typically ± 2mm, ends are not hardened.

Order No.	d ₁ tol. h6	l ₁	Depth of hardness min.	Weight kg
L1772.50-0100	50	100	1.5	1.540
L1772.50-0150	50	150	1.5	2.310
L1772.50-0200	50	200	1.5	3.080
L1772.50-0250	50	250	1.5	3.850
L1772.50-0300	50	300	1.5	4.620
L1772.50-0350	50	350	1.5	5.390
L1772.50-0400	50	400	1.5	6.160
L1772.50-0450	50	450	1.5	6.930
L1772.50-0500	50	500	1.5	7.700
L1772.50-0550	50	550	1.5	8.470
L1772.50-0600	50	600	1.5	9.240
L1772.50-0650	50	650	1.5	10.010
L1772.50-0700	50	700	1.5	10.780
L1772.50-0750	50	750	1.5	11.550
L1772.50-0800	50	800	1.5	12.320
L1772.50-0850	50	850	1.5	13.090
L1772.50-0900	50	900	1.5	13.860
L1772.50-1000	50	1000	1.5	15.400
L1772.50-1050	50	1050	1.5	16.170
L1772.50-1100	50	1100	1.5	16.940
L1772.50-1150	50	1150	1.5	17.710
L1772.50-1200	50	1200	1.5	18.480
L1772.50-1250	50	1250	1.5	19.250
L1772.50-1300	50	1300	1.5	20.020
L1772.50-1350	50	1350	1.5	20.790
L1772.50-1400	50	1400	1.5	21.560
L1772.50-1450	50	1450	1.5	22.330
L1772.50-1500	50	1500	1.5	23.100
L1772.50-1550	50	1550	1.5	23.870
L1772.50-1600	50	1600	1.5	24.640
L1772.50-1650	50	1650	1.5	25.410



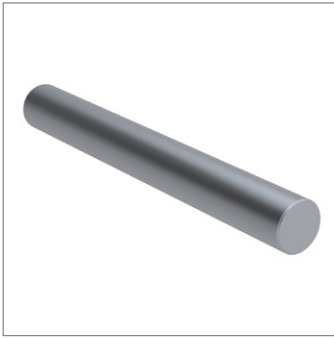
Order No.	d ₁ tol. h6	l ₁	Depth of hardness min.	Weight kg
L1772.50-1700	50	1700	1.5	26.180
L1772.50-1750	50	1750	1.5	26.950
L1772.50-1800	50	1800	1.5	27.720
L1772.50-1850	50	1850	1.5	28.490
L1772.50-1900	50	1900	1.5	29.260
L1772.50-1950	50	1950	1.5	30.030
L1772.50-2000	50	2000	1.5	30.800
L1772.50-2050	50	2050	1.5	31.570
L1772.50-2100	50	2100	1.5	32.340
L1772.50-2150	50	2150	1.5	33.110
L1772.50-2200	50	2200	1.5	33.880
L1772.50-2250	50	2250	1.5	34.650
L1772.50-2300	50	2300	1.5	35.420
L1772.50-2350	50	2350	1.5	36.190
L1772.50-2400	50	2400	1.5	36.960
L1772.50-2450	50	2450	1.5	37.730
L1772.50-2500	50	2500	1.5	38.500
L1772.50-2550	50	2550	1.5	39.270
L1772.50-2600	50	2600	1.5	40.040
L1772.50-2650	50	2650	1.5	40.810
L1772.50-2700	50	2700	1.5	41.580
L1772.50-2750	50	2750	1.5	42.350
L1772.50-2800	50	2800	1.5	43.120
L1772.50-2850	50	2850	1.5	43.890
L1772.50-2900	50	2900	1.5	44.660
L1772.50-2950	50	2950	1.5	45.430
L1772.50-3000	50	3000	1.5	46.200
L1772.50-3050	50	3050	1.5	46.970
L1772.50-3100	50	3100	1.5	47.740
L1772.50-3150	50	3150	1.5	48.510
L1772.50-3200	50	3200	1.5	49.280
L1772.50-3250	50	3250	1.5	50.050
L1772.50-3300	50	3300	1.5	50.820
L1772.50-3350	50	3350	1.5	51.590
L1772.50-3400	50	3400	1.5	52.360
L1772.50-3450	50	3450	1.5	53.130
L1772.50-3500	50	3500	1.5	53.900
L1772.50-3550	50	3550	1.5	54.670
L1772.50-3600	50	3600	1.5	55.440
L1772.50-3650	50	3650	1.5	56.210
L1772.50-3700	50	3700	1.5	56.980
L1772.50-3750	50	3750	1.5	57.750
L1772.50-3800	50	3800	1.5	58.520
L1772.50-3850	50	3850	1.5	59.290
L1772.50-3900	50	3900	1.5	60.060
L1772.50-3950	50	3950	1.5	60.830
L1772.50-4000	50	4000	1.5	61.600
L1772.50-4050	50	4050	1.5	62.370
L1772.50-4100	50	4100	1.5	63.140
L1772.50-4150	50	4150	1.5	63.910
L1772.50-4200	50	4200	1.5	64.680
L1772.50-4250	50	4250	1.5	65.450
L1772.50-4300	50	4300	1.5	66.220
L1772.50-4350	50	4350	1.5	66.990
L1772.50-4400	50	4400	1.5	67.760
L1772.50-4450	50	4450	1.5	68.530
L1772.50-4500	50	4500	1.5	69.300
L1772.50-4550	50	4550	1.5	70.070
L1772.50-4600	50	4600	1.5	70.840
L1772.50-4650	50	4650	1.5	71.610
L1772.50-4700	50	4700	1.5	72.380
L1772.50-4750	50	4750	1.5	73.150
L1772.50-4800	50	4800	1.5	73.920
L1772.50-4850	50	4850	1.5	74.690
L1772.50-4900	50	4900	1.5	75.460
L1772.50-4950	50	4950	1.5	76.230
L1772.50-5000	50	5000	1.5	77.000
L1772.50-5050	50	5050	1.5	77.770



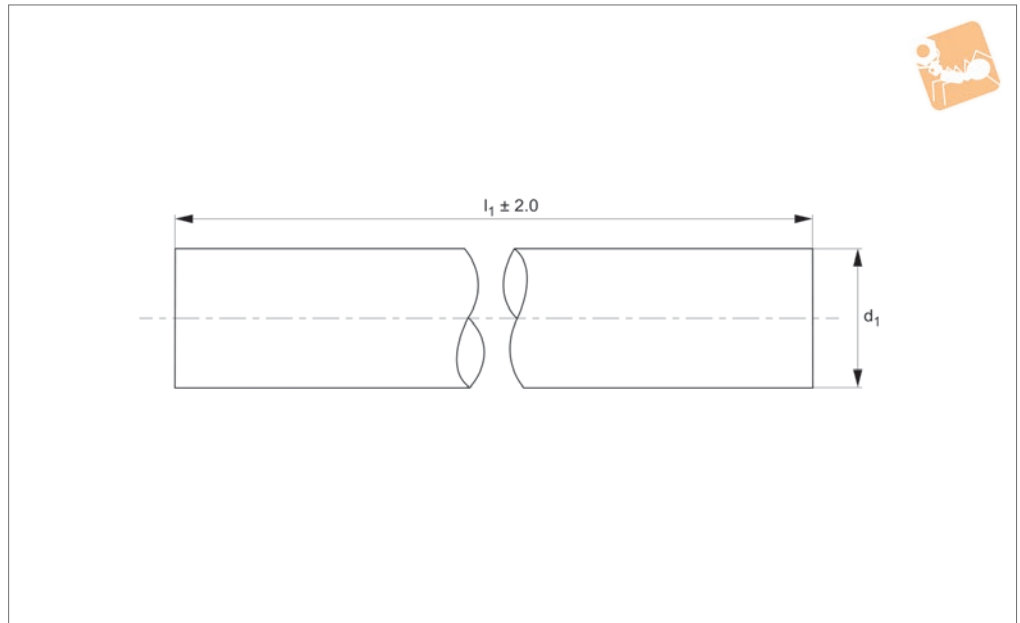
Ø50 Hardened Stainless Shafts for linear bearings

Linear Shaft Bars

Order No.	d ₁ tol. h6	l ₁	Depth of hardness min.	Weight kg
L1772.50-5100	50	5100	1.5	78.540
L1772.50-5150	50	5150	1.5	79.310
L1772.50-5200	50	5200	1.5	80.080
L1772.50-5250	50	5250	1.5	80.850
L1772.50-5300	50	5300	1.5	81.620
L1772.50-5350	50	5350	1.5	82.390
L1772.50-5400	50	5400	1.5	83.160
L1772.50-5450	50	5450	1.5	83.930
L1772.50-5500	50	5500	1.5	84.700
L1772.50-5550	50	5550	1.5	85.470
L1772.50-5600	50	5600	1.5	86.240
L1772.50-5650	50	5650	1.5	87.010
L1772.50-5700	50	5700	1.5	87.780
L1772.50-5750	50	5750	1.5	88.550
L1772.50-5800	50	5800	1.5	89.320
L1772.50-5850	50	5850	1.5	90.090
L1772.50-5900	50	5900	1.5	90.860
L1772.50-5950	50	5950	1.5	91.630
L1772.50-6000	50	6000	1.5	92.400



L1772.60



Material

Corrosion resistant stainless steel (440C, DIN 1.4112, X90 CrMo18) hardened.
Surface hardness 53-56 HRC, Rht 450Hv2.
Surface finish 0.3-0.6µ Ra, ground and polished to 8-12 cla.
Yield stress: >420 N/mm².

Tensile strength: >785 N/mm².

Technical Notes

Suitable for use with linear bearings.
Tolerance, h6 standard, special tolerances on request.
Straightness 0,1mm/m.

Tips

Modifications, drilled and tapped holes, retainer grooves, special coatings etc. are available.
Shaft lengths are cut to typically ± 2mm, ends are not hardened.

Order No.	d ₁ tol. h6	l ₁	Depth of hardness min.	Weight kg
L1772.60-0100	60	100	1.5	2.220
L1772.60-0150	60	150	1.5	3.330
L1772.60-0200	60	200	1.5	4.440
L1772.60-0250	60	250	1.5	5.550
L1772.60-0300	60	300	1.5	6.660
L1772.60-0350	60	350	1.5	7.770
L1772.60-0400	60	400	1.5	8.880
L1772.60-0450	60	450	1.5	9.990
L1772.60-0500	60	500	1.5	11.100
L1772.60-0550	60	550	1.5	12.210
L1772.60-0600	60	600	1.5	13.320
L1772.60-0650	60	650	1.5	14.430
L1772.60-0700	60	700	1.5	15.540
L1772.60-0750	60	750	1.5	16.650
L1772.60-0800	60	800	1.5	17.760
L1772.60-0850	60	850	1.5	18.870
L1772.60-0900	60	900	1.5	19.980
L1772.60-0950	60	950	1.5	21.090
L1772.60-1000	60	1000	1.5	22.200
L1772.60-1050	60	1050	1.5	23.310
L1772.60-1100	60	1100	1.5	24.420
L1772.60-1150	60	1150	1.5	25.530
L1772.60-1200	60	1200	1.5	26.640
L1772.60-1250	60	1250	1.5	27.750
L1772.60-1300	60	1300	1.5	28.860
L1772.60-1350	60	1350	1.5	29.970
L1772.60-1400	60	1400	1.5	31.080
L1772.60-1450	60	1450	1.5	32.190
L1772.60-1500	60	1500	1.5	33.300
L1772.60-1550	60	1550	1.5	34.410
L1772.60-1600	60	1600	1.5	35.520



Ø60 Hardened Stainless Shafts for linear bearings

Linear Shaft
Bars

Order No.	d ₁ tol. h6	l ₁	Depth of hardness min.	Weight kg
L1772.60-1650	60	1650	1.5	36.630
L1772.60-1700	60	1700	1.5	37.740
L1772.60-1750	60	1750	1.5	38.850
L1772.60-1800	60	1800	1.5	39.960
L1772.60-1850	60	1850	1.5	41.070
L1772.60-1900	60	1900	1.5	42.180
L1772.60-1950	60	1950	1.5	43.290
L1772.60-2000	60	2000	1.5	44.400
L1772.60-2050	60	2050	1.5	45.510
L1772.60-2100	60	2100	1.5	46.620
L1772.60-2150	60	2150	1.5	47.730
L1772.60-2200	60	2200	1.5	48.840
L1772.60-2250	60	2250	1.5	49.950
L1772.60-2300	60	2300	1.5	51.060
L1772.60-2350	60	2350	1.5	52.170
L1772.60-2400	60	2400	1.5	53.280
L1772.60-2450	60	2450	1.5	54.390
L1772.60-2500	60	2500	1.5	55.500
L1772.60-2550	60	2550	1.5	56.610
L1772.60-2600	60	2600	1.5	57.720
L1772.60-2650	60	2650	1.5	58.830
L1772.60-2700	60	2700	1.5	59.940
L1772.60-2750	60	2750	1.5	61.050
L1772.60-2800	60	2800	1.5	62.160
L1772.60-2850	60	2850	1.5	63.270
L1772.60-2900	60	2900	1.5	64.380
L1772.60-2950	60	2950	1.5	65.490
L1772.60-3000	60	3000	1.5	66.600
L1772.60-3050	60	3050	1.5	67.710
L1772.60-3100	60	3100	1.5	68.820
L1772.60-3150	60	3150	1.5	69.930
L1772.60-3200	60	3200	1.5	71.040
L1772.60-3250	60	3250	1.5	72.150
L1772.60-3300	60	3300	1.5	73.260
L1772.60-3350	60	3350	1.5	74.370
L1772.60-3400	60	3400	1.5	75.480
L1772.60-3450	60	3450	1.5	76.590
L1772.60-3500	60	3500	1.5	77.700
L1772.60-3550	60	3550	1.5	78.810
L1772.60-3600	60	3600	1.5	79.920
L1772.60-3650	60	3650	1.5	81.030
L1772.60-3700	60	3700	1.5	82.140
L1772.60-3750	60	3750	1.5	83.250
L1772.60-3800	60	3800	1.5	84.360
L1772.60-3850	60	3850	1.5	85.470
L1772.60-3900	60	3900	1.5	86.580
L1772.60-3950	60	3950	1.5	87.690
L1772.60-4000	60	4000	1.5	88.800
L1772.60-4050	60	4050	1.5	89.910
L1772.60-4100	60	4100	1.5	91.020
L1772.60-4150	60	4150	1.5	92.130
L1772.60-4200	60	4200	1.5	93.240
L1772.60-4250	60	4250	1.5	94.350
L1772.60-4300	60	4300	1.5	95.460
L1772.60-4350	60	4350	1.5	96.570
L1772.60-4400	60	4400	1.5	97.680
L1772.60-4450	60	4450	1.5	98.790
L1772.60-4500	60	4500	1.5	99.900
L1772.60-4550	60	4550	1.5	101.010
L1772.60-4600	60	4600	1.5	102.120
L1772.60-4650	60	4650	1.5	103.230
L1772.60-4700	60	4700	1.5	104.340
L1772.60-4750	60	4750	1.5	105.450
L1772.60-4800	60	4800	1.5	106.560
L1772.60-4850	60	4850	1.5	107.670
L1772.60-4900	60	4900	1.5	108.780
L1772.60-4950	60	4950	1.5	109.890
L1772.60-5000	60	5000	1.5	111.000

LINEAR SHAFT BARS

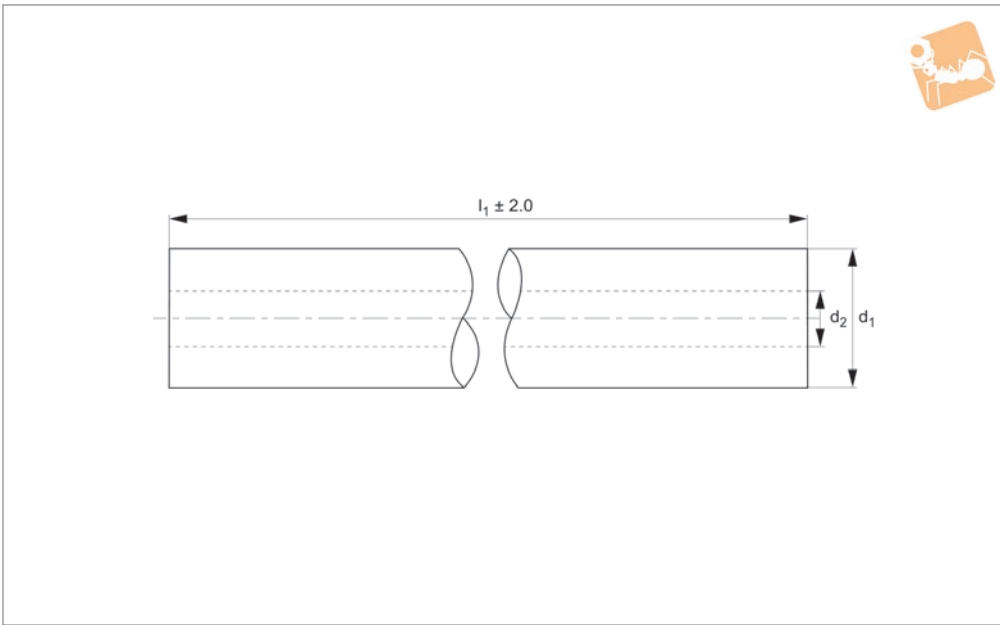


Order No.	d ₁ tol. h6	l ₁	Depth of hardness min.	Weight kg
L1772.60-5050	60	5050	1.5	112.110
L1772.60-5100	60	5100	1.5	113.220
L1772.60-5150	60	5150	1.5	114.330
L1772.60-5200	60	5200	1.5	115.440
L1772.60-5250	60	5250	1.5	116.550
L1772.60-5300	60	5300	1.5	117.660
L1772.60-5350	60	5350	1.5	118.770
L1772.60-5400	60	5400	1.5	119.880
L1772.60-5450	60	5450	1.5	120.990
L1772.60-5500	60	5500	1.5	122.100
L1772.60-5550	60	5550	1.5	123.210
L1772.60-5600	60	5600	1.5	124.320
L1772.60-5650	60	5650	1.5	125.430
L1772.60-5700	60	5700	1.5	126.540
L1772.60-5750	60	5750	1.5	127.650
L1772.60-5800	60	5800	1.5	128.760
L1772.60-5850	60	5850	1.5	129.870
L1772.60-5900	60	5900	1.5	130.980
L1772.60-5950	60	5950	1.5	132.090
L1772.60-6000	60	6000	1.5	133.200



12Ø Hardened Hollow Shafts for linear bearings

Linear Shaft Bars



L1771.12

LINEAR SHAFT BARS

Material

Carbon steel (C60), surface hardness 60-65 HRC. Surface finish 0.3-0.6µ Ra, ground and polished to 8-12 cla.

Technical Notes

Used in linear bearing and guideway

systems where weight reduction is important.

Tolerance, h6 standard, special tolerances upon request.

Suitable for use with linear bearings. Straightness 0,2mm/m.

Tips

Modifications, drilled and tapped holes, retainer grooves, special coatings etc. are available.

Shaft lengths are cut to typically ± 2mm, ends are not hardened.

Order No.	d ₁ tol. h6	l ₁	d ₂	Depth of hardness min.
L1771.12-0100	12	100	4	0.4
L1771.12-0150	12	150	4	0.4
L1771.12-0200	12	200	4	0.4
L1771.12-0250	12	250	4	0.4
L1771.12-0300	12	300	4	0.4
L1771.12-0350	12	350	4	0.4
L1771.12-0400	12	400	4	0.4
L1771.12-0450	12	450	4	0.4
L1771.12-0500	12	500	4	0.4
L1771.12-0550	12	550	4	0.4
L1771.12-0600	12	600	4	0.4
L1771.12-0650	12	650	4	0.4
L1771.12-0700	12	700	4	0.4
L1771.12-0750	12	750	4	0.4
L1771.12-0800	12	800	4	0.4
L1771.12-0850	12	850	4	0.4
L1771.12-0900	12	900	4	0.4
L1771.12-0950	12	950	4	0.4
L1771.12-1000	12	1000	4	0.4
L1771.12-1050	12	1050	4	0.4
L1771.12-1100	12	1100	4	0.4
L1771.12-1150	12	1150	4	0.4
L1771.12-1200	12	1200	4	0.4
L1771.12-1250	12	1250	4	0.4
L1771.12-1300	12	1300	4	0.4
L1771.12-1350	12	1350	4	0.4
L1771.12-1400	12	1400	4	0.4
L1771.12-1450	12	1450	4	0.4
L1771.12-1500	12	1500	4	0.4
L1771.12-1550	12	1550	4	0.4
L1771.12-1600	12	1600	4	0.4



Order No.	d ₁ tol. h6	l ₁	d ₂	Depth of hardness min.
L1771.12-1650	12	1650	4	0.4
L1771.12-1700	12	1700	4	0.4
L1771.12-1750	12	1750	4	0.4
L1771.12-1800	12	1800	4	0.4
L1771.12-1850	12	1850	4	0.4
L1771.12-1900	12	1900	4	0.4
L1771.12-1950	12	1950	4	0.4
L1771.12-2000	12	2000	4	0.4
L1771.12-2050	12	2050	4	0.4
L1771.12-2100	12	2100	4	0.4
L1771.12-2150	12	2150	4	0.4
L1771.12-2200	12	2200	4	0.4
L1771.12-2250	12	2250	4	0.4
L1771.12-2300	12	2300	4	0.4
L1771.12-2350	12	2350	4	0.4
L1771.12-2400	12	2400	4	0.4
L1771.12-2450	12	2450	4	0.4
L1771.12-2500	12	2500	4	0.4
L1771.12-2550	12	2550	4	0.4
L1771.12-2600	12	2600	4	0.4
L1771.12-2650	12	2650	4	0.4
L1771.12-2700	12	2700	4	0.4
L1771.12-2750	12	2750	4	0.4
L1771.12-2800	12	2800	4	0.4
L1771.12-2850	12	2850	4	0.4
L1771.12-2900	12	2900	4	0.4
L1771.12-2950	12	2950	4	0.4
L1771.12-3000	12	3000	4	0.4
L1771.12-3050	12	3050	4	0.4
L1771.12-3100	12	3100	4	0.4
L1771.12-3150	12	3150	4	0.4
L1771.12-3200	12	3200	4	0.4
L1771.12-3250	12	3250	4	0.4
L1771.12-3300	12	3300	4	0.4
L1771.12-3350	12	3350	4	0.4
L1771.12-3400	12	3400	4	0.4
L1771.12-3450	12	3450	4	0.4
L1771.12-3500	12	3500	4	0.4
L1771.12-3550	12	3550	4	0.4
L1771.12-3600	12	3600	4	0.4
L1771.12-3650	12	3650	4	0.4
L1771.12-3700	12	3700	4	0.4
L1771.12-3750	12	3750	4	0.4
L1771.12-3800	12	3800	4	0.4
L1771.12-3850	12	3850	4	0.4
L1771.12-3900	12	3900	4	0.4
L1771.12-3950	12	3950	4	0.4
L1771.12-4000	12	4000	4	0.4
L1771.12-4050	12	4050	4	0.4
L1771.12-4100	12	4100	4	0.4
L1771.12-4150	12	4150	4	0.4
L1771.12-4200	12	4200	4	0.4
L1771.12-4250	12	4250	4	0.4
L1771.12-4300	12	4300	4	0.4
L1771.12-4350	12	4350	4	0.4
L1771.12-4400	12	4400	4	0.4
L1771.12-4450	12	4450	4	0.4
L1771.12-4500	12	4500	4	0.4
L1771.12-4550	12	4550	4	0.4
L1771.12-4600	12	4600	4	0.4
L1771.12-4650	12	4650	4	0.4
L1771.12-4700	12	4700	4	0.4
L1771.12-4750	12	4750	4	0.4
L1771.12-4800	12	4800	4	0.4
L1771.12-4850	12	4850	4	0.4
L1771.12-4900	12	4900	4	0.4
L1771.12-4950	12	4950	4	0.4
L1771.12-5000	12	5000	4	0.4

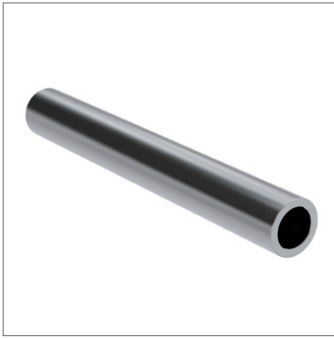


12Ø Hardened Hollow Shafts for linear bearings

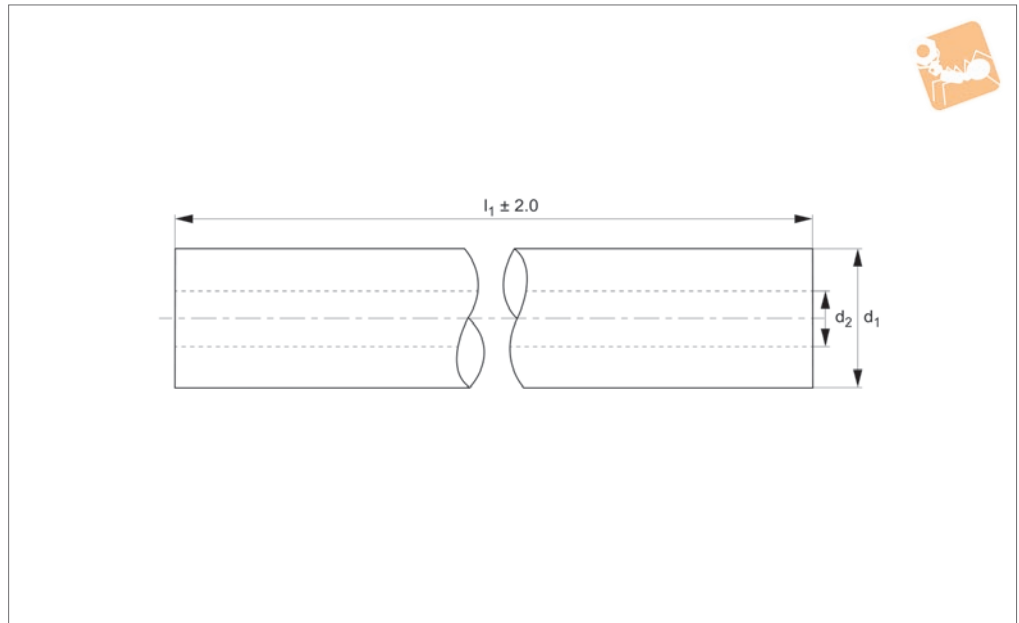
Linear Shaft Bars

Order No.	d ₁ tol. h6	l ₁	d ₂	Depth of hardness min.
L1771.12-5050	12	5050	4	0.4
L1771.12-5100	12	5100	4	0.4
L1771.12-5150	12	5150	4	0.4
L1771.12-5200	12	5200	4	0.4
L1771.12-5250	12	5250	4	0.4
L1771.12-5300	12	5300	4	0.4
L1771.12-5350	12	5350	4	0.4
L1771.12-5400	12	5400	4	0.4
L1771.12-5450	12	5450	4	0.4
L1771.12-5500	12	5500	4	0.4
L1771.12-5550	12	5550	4	0.4
L1771.12-5600	12	5600	4	0.4
L1771.12-5650	12	5650	4	0.4
L1771.12-5700	12	5700	4	0.4
L1771.12-5750	12	5750	4	0.4
L1771.12-5800	12	5800	4	0.4
L1771.12-5850	12	5850	4	0.4
L1771.12-5900	12	5900	4	0.4
L1771.12-5950	12	5950	4	0.4
L1771.12-6000	12	6000	4	0.4

LINEAR SHAFT BARS



L1771.16



Material

Carbon steel (C60), surface hardness 60-65 HRC. Surface finish 0.3-0.6µ Ra, ground and polished to 8-12 cla.

Technical Notes

Used in linear bearing and guideway

systems where weight reduction is important.

Tolerance, h6 standard, special tolerances upon request.

Suitable for use with linear bearings. Straightness 0,2mm/m.

Tips

Modifications, drilled and tapped holes, retainer grooves, special coatings etc. are available.

Shaft lengths are cut to typically ± 2mm, ends are not hardened.

Order No.	d ₁ tol. h6	l ₁	d ₂ tol. h6	Depth of hardness min.
L1771.16-0100	16	100	7	0.4
L1771.16-0150	16	150	7	0.4
L1771.16-0200	16	200	7	0.4
L1771.16-0250	16	250	7	0.4
L1771.16-0300	16	300	7	0.4
L1771.16-0350	16	350	7	0.4
L1771.16-0400	16	400	7	0.4
L1771.16-0450	16	450	7	0.4
L1771.16-0500	16	500	7	0.4
L1771.16-0550	16	550	7	0.4
L1771.16-0600	16	600	7	0.4
L1771.16-0650	16	650	7	0.4
L1771.16-0700	16	700	7	0.4
L1771.16-0750	16	750	7	0.4
L1771.16-0800	16	800	7	0.4
L1771.16-0850	16	850	7	0.4
L1771.16-0900	16	900	7	0.4
L1771.16-1000	16	1000	7	0.4
L1771.16-1050	16	1050	7	0.4
L1771.16-1100	16	1100	7	0.4
L1771.16-1150	16	1150	7	0.4
L1771.16-1200	16	1200	7	0.4
L1771.16-1250	16	1250	7	0.4
L1771.16-1300	16	1300	7	0.4
L1771.16-1350	16	1350	7	0.4
L1771.16-1400	16	1400	7	0.4
L1771.16-1450	16	1450	7	0.4
L1771.16-1500	16	1500	7	0.4
L1771.16-1550	16	1550	7	0.4
L1771.16-1600	16	1600	7	0.4
L1771.16-1650	16	1650	7	0.4



16Ø Hardened Hollow Shafts for linear bearings

Linear Shaft
Bars

Order No.	d ₁ tol. h6	l ₁	d ₂ tol. h6	Depth of hardness min.
L1771.16-1700	16	1700	7	0.4
L1771.16-1750	16	1750	7	0.4
L1771.16-1800	16	1800	7	0.4
L1771.16-1850	16	1850	7	0.4
L1771.16-1900	16	1900	7	0.4
L1771.16-1950	16	1950	7	0.4
L1771.16-2000	16	2000	7	0.4
L1771.16-2050	16	2050	7	0.4
L1771.16-2100	16	2100	7	0.4
L1771.16-2150	16	2150	7	0.4
L1771.16-2200	16	2200	7	0.4
L1771.16-2250	16	2250	7	0.4
L1771.16-2300	16	2300	7	0.4
L1771.16-2350	16	2350	7	0.4
L1771.16-2400	16	2400	7	0.4
L1771.16-2450	16	2450	7	0.4
L1771.16-2500	16	2500	7	0.4
L1771.16-2550	16	2550	7	0.4
L1771.16-2600	16	2600	7	0.4
L1771.16-2650	16	2650	7	0.4
L1771.16-2700	16	2700	7	0.4
L1771.16-2750	16	2750	7	0.4
L1771.16-2800	16	2800	7	0.4
L1771.16-2850	16	2850	7	0.4
L1771.16-2900	16	2900	7	0.4
L1771.16-2950	16	2950	7	0.4
L1771.16-3000	16	3000	7	0.4
L1771.16-3050	16	3050	7	0.4
L1771.16-3100	16	3100	7	0.4
L1771.16-3150	16	3150	7	0.4
L1771.16-3200	16	3200	7	0.4
L1771.16-3250	16	3250	7	0.4
L1771.16-3300	16	3300	7	0.4
L1771.16-3350	16	3350	7	0.4
L1771.16-3400	16	3400	7	0.4
L1771.16-3450	16	3450	7	0.4
L1771.16-3500	16	3500	7	0.4
L1771.16-3550	16	3550	7	0.4
L1771.16-3600	16	3600	7	0.4
L1771.16-3650	16	3650	7	0.4
L1771.16-3700	16	3700	7	0.4
L1771.16-3750	16	3750	7	0.4
L1771.16-3800	16	3800	7	0.4
L1771.16-3850	16	3850	7	0.4
L1771.16-3900	16	3900	7	0.4
L1771.16-3950	16	3950	7	0.4
L1771.16-4000	16	4000	7	0.4
L1771.16-4050	16	4050	7	0.4
L1771.16-4100	16	4100	7	0.4
L1771.16-4150	16	4150	7	0.4
L1771.16-4200	16	4200	7	0.4
L1771.16-4250	16	4250	7	0.4
L1771.16-4300	16	4300	7	0.4
L1771.16-4350	16	4350	7	0.4
L1771.16-4400	16	4400	7	0.4
L1771.16-4450	16	4450	7	0.4
L1771.16-4500	16	4500	7	0.4
L1771.16-4550	16	4550	7	0.4
L1771.16-4600	16	4600	7	0.4
L1771.16-4650	16	4650	7	0.4
L1771.16-4700	16	4700	7	0.4
L1771.16-4750	16	4750	7	0.4
L1771.16-4800	16	4800	7	0.4
L1771.16-4850	16	4850	7	0.4
L1771.16-4900	16	4900	7	0.4
L1771.16-4950	16	4950	7	0.4
L1771.16-5000	16	5000	7	0.4
L1771.16-5050	16	5050	7	0.4

LINEAR SHAFT BARS

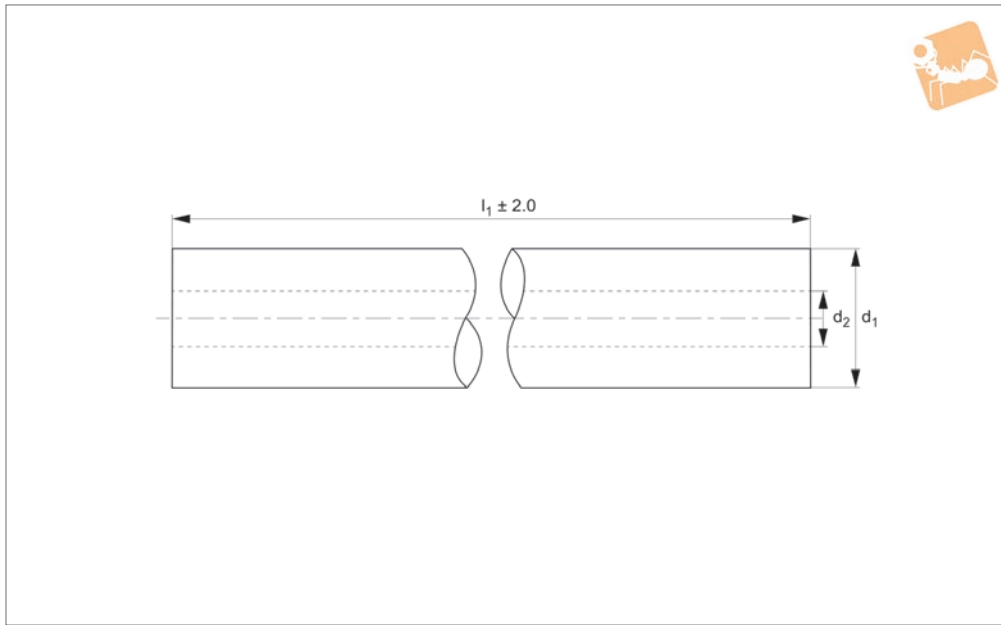


Order No.	d ₁ tol. h6	l ₁	d ₂ tol. h6	Depth of hardness min.
L1771.16-5100	16	5100	7	0.4
L1771.16-5150	16	5150	7	0.4
L1771.16-5200	16	5200	7	0.4
L1771.16-5250	16	5250	7	0.4
L1771.16-5300	16	5300	7	0.4
L1771.16-5350	16	5350	7	0.4
L1771.16-5400	16	5400	7	0.4
L1771.16-5450	16	5450	7	0.4
L1771.16-5500	16	5500	7	0.4
L1771.16-5550	16	5550	7	0.4
L1771.16-5600	16	5600	7	0.4
L1771.16-5650	16	5650	7	0.4
L1771.16-5700	16	5700	7	0.4
L1771.16-5750	16	5750	7	0.4
L1771.16-5800	16	5800	7	0.4
L1771.16-5850	16	5850	7	0.4
L1771.16-5900	16	5900	7	0.4
L1771.16-5950	16	5950	7	0.4
L1771.16-6000	16	6000	7	0.4



20Ø Hardened Hollow Shafts for linear bearings

Linear Shaft Bars



L1771.20

LINEAR SHAFT BARS

Material

Carbon steel (C60), surface hardness 60-65 HRC. Surface finish 0.3-0.6µ Ra, ground and polished to 8-12 cla.

Technical Notes

Used in linear bearing and guideway

systems where weight reduction is important.

Tolerance, h6 standard, special tolerances upon request.

Suitable for use with linear bearings.

Straightness 0,1mm/m.

Tips

Modifications, drilled and tapped holes, retainer grooves, special coatings etc. are available.

Shaft lengths are cut to typically ± 2mm, ends are not hardened.

Order No.	d ₁ tol. h6	l ₁	d ₂ tol. h6	Depth of hardness min.
L1771.20-0100	20	100	14	0.4
L1771.20-0150	20	150	14	0.4
L1771.20-0200	20	200	14	0.4
L1771.20-0250	20	250	14	0.4
L1771.20-0300	20	300	14	0.4
L1771.20-0350	20	350	14	0.4
L1771.20-0400	20	400	14	0.4
L1771.20-0450	20	450	14	0.4
L1771.20-0500	20	500	14	0.4
L1771.20-0550	20	550	14	0.4
L1771.20-0600	20	600	14	0.4
L1771.20-0650	20	650	14	0.4
L1771.20-0700	20	700	14	0.4
L1771.20-0750	20	750	14	0.4
L1771.20-0800	20	800	14	0.4
L1771.20-0850	20	850	14	0.4
L1771.20-0900	20	900	14	0.4
L1771.20-0950	20	950	14	0.4
L1771.20-1000	20	1000	14	0.4
L1771.20-1050	20	1050	14	0.4
L1771.20-1100	20	1100	14	0.4
L1771.20-1150	20	1150	14	0.4
L1771.20-1200	20	1200	14	0.4
L1771.20-1250	20	1250	14	0.4
L1771.20-1300	20	1300	14	0.4
L1771.20-1350	20	1350	14	0.4
L1771.20-1400	20	1400	14	0.4
L1771.20-1450	20	1450	14	0.4
L1771.20-1500	20	1500	14	0.4
L1771.20-1550	20	1550	14	0.4
L1771.20-1600	20	1600	14	0.4



Order No.	d ₁ tol. h6	l ₁	d ₂ tol. h6	Depth of hardness min.
L1771.20-1650	20	1650	14	0.4
L1771.20-1700	20	1700	14	0.4
L1771.20-1750	20	1750	14	0.4
L1771.20-1800	20	1800	14	0.4
L1771.20-1850	20	1850	14	0.4
L1771.20-1900	20	1900	14	0.4
L1771.20-1950	20	1950	14	0.4
L1771.20-2000	20	2000	14	0.4
L1771.20-2050	20	2050	14	0.4
L1771.20-2100	20	2100	14	0.4
L1771.20-2150	20	2150	14	0.4
L1771.20-2200	20	2200	14	0.4
L1771.20-2250	20	2250	14	0.4
L1771.20-2300	20	2300	14	0.4
L1771.20-2350	20	2350	14	0.4
L1771.20-2400	20	2400	14	0.4
L1771.20-2450	20	2450	14	0.4
L1771.20-2500	20	2500	14	0.4
L1771.20-2550	20	2550	14	0.4
L1771.20-2600	20	2600	14	0.4
L1771.20-2650	20	2650	14	0.4
L1771.20-2700	20	2700	14	0.4
L1771.20-2750	20	2750	14	0.4
L1771.20-2800	20	2800	14	0.4
L1771.20-2850	20	2850	14	0.4
L1771.20-2900	20	2900	14	0.4
L1771.20-2950	20	2950	14	0.4
L1771.20-3000	20	3000	14	0.4
L1771.20-3050	20	3050	14	0.4
L1771.20-3100	20	3100	14	0.4
L1771.20-3150	20	3150	14	0.4
L1771.20-3200	20	3200	14	0.4
L1771.20-3250	20	3250	14	0.4
L1771.20-3300	20	3300	14	0.4
L1771.20-3350	20	3350	14	0.4
L1771.20-3400	20	3400	14	0.4
L1771.20-3450	20	3450	14	0.4
L1771.20-3500	20	3500	14	0.4
L1771.20-3550	20	3550	14	0.4
L1771.20-3600	20	3600	14	0.4
L1771.20-3650	20	3650	14	0.4
L1771.20-3700	20	3700	14	0.4
L1771.20-3750	20	3750	14	0.4
L1771.20-3800	20	3800	14	0.4
L1771.20-3850	20	3850	14	0.4
L1771.20-3900	20	3900	14	0.4
L1771.20-3950	20	3950	14	0.4
L1771.20-4000	20	4000	14	0.4
L1771.20-4050	20	4050	14	0.4
L1771.20-4100	20	4100	14	0.4
L1771.20-4150	20	4150	14	0.4
L1771.20-4200	20	4200	14	0.4
L1771.20-4250	20	4250	14	0.4
L1771.20-4300	20	4300	14	0.4
L1771.20-4350	20	4350	14	0.4
L1771.20-4400	20	4400	14	0.4
L1771.20-4450	20	4450	14	0.4
L1771.20-4500	20	4500	14	0.4
L1771.20-4550	20	4550	14	0.4
L1771.20-4600	20	4600	14	0.4
L1771.20-4650	20	4650	14	0.4
L1771.20-4700	20	4700	14	0.4
L1771.20-4750	20	4750	14	0.4
L1771.20-4800	20	4800	14	0.4
L1771.20-4850	20	4850	14	0.4
L1771.20-4900	20	4900	14	0.4
L1771.20-4950	20	4950	14	0.4
L1771.20-5000	20	5000	14	0.4



20Ø Hardened Hollow Shafts for linear bearings

Linear Shaft Bars

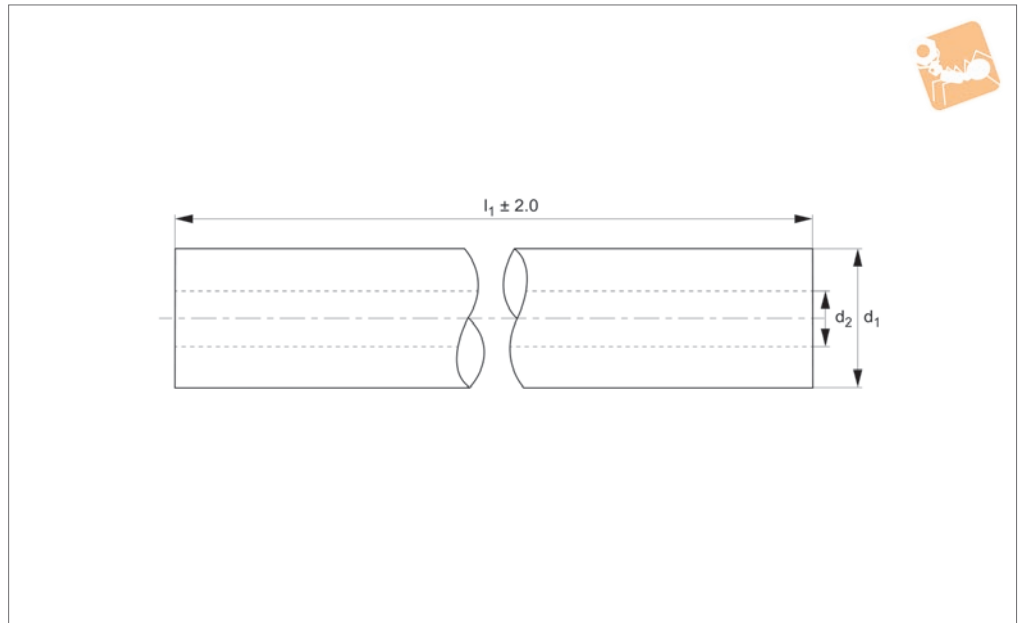


Order No.	d ₁ tol. h6	l ₁	d ₂ tol. h6	Depth of hardness min.
L1771.20-5050	20	5050	14	0.4
L1771.20-5100	20	5100	14	0.4
L1771.20-5150	20	5150	14	0.4
L1771.20-5200	20	5200	14	0.4
L1771.20-5250	20	5250	14	0.4
L1771.20-5300	20	5300	14	0.4
L1771.20-5350	20	5350	14	0.4
L1771.20-5400	20	5400	14	0.4
L1771.20-5450	20	5450	14	0.4
L1771.20-5500	20	5500	14	0.4
L1771.20-5550	20	5550	14	0.4
L1771.20-5600	20	5600	14	0.4
L1771.20-5650	20	5650	14	0.4
L1771.20-5700	20	5700	14	0.4
L1771.20-5750	20	5750	14	0.4
L1771.20-5800	20	5800	14	0.4
L1771.20-5850	20	5850	14	0.4
L1771.20-5900	20	5900	14	0.4
L1771.20-5950	20	5950	14	0.4
L1771.20-6000	20	6000	14	0.4

LINEAR SHAFT BARS



L1771.25



Material

Carbon steel (C60), surface hardness 60-65 HRC. Surface finish 0.3-0.6µ Ra, ground and polished to 8-12 cla.

Technical Notes

Used in linear bearing and guideway

systems where weight reduction is important.

Tolerance, h6 standard, special tolerances upon request.

Suitable for use with linear bearings.
Straightness 0,1mm/m.

Tips

Modifications, drilled and tapped holes, retainer grooves, special coatings etc. are available.

Shaft lengths are cut to typically ± 2mm, ends are not hardened.

Order No.	d ₁ tol. h6	l ₁	d ₂	Depth of hardness min.
L1771.25-0100	25	100	15	0.4
L1771.25-0150	25	150	15	0.4
L1771.25-0200	25	200	15	0.4
L1771.25-0250	25	250	15	0.4
L1771.25-0300	25	300	15	0.4
L1771.25-0350	25	350	15	0.4
L1771.25-0400	25	400	15	0.4
L1771.25-0450	25	450	15	0.4
L1771.25-0500	25	500	15	0.4
L1771.25-0550	25	550	15	0.4
L1771.25-0600	25	600	15	0.4
L1771.25-0650	25	650	15	0.4
L1771.25-0700	25	700	15	0.4
L1771.25-0750	25	750	15	0.4
L1771.25-0800	25	800	15	0.4
L1771.25-0850	25	850	15	0.4
L1771.25-0900	25	900	15	0.4
L1771.25-0950	25	950	15	0.4
L1771.25-1000	25	1000	15	0.4
L1771.25-1050	25	1050	15	0.4
L1771.25-1100	25	1100	15	0.4
L1771.25-1150	25	1150	15	0.4
L1771.25-1200	25	1200	15	0.4
L1771.25-1250	25	1250	15	0.4
L1771.25-1300	25	1300	15	0.4
L1771.25-1350	25	1350	15	0.4
L1771.25-1400	25	1400	15	0.4
L1771.25-1450	25	1450	15	0.4
L1771.25-1500	25	1500	15	0.4
L1771.25-1550	25	1550	15	0.4
L1771.25-1600	25	1600	15	0.4



25Ø Hardened Hollow Shafts for linear bearings

Linear Shaft
Bars

Order No.	d ₁ tol. h6	l ₁	d ₂	Depth of hardness min.
L1771.25-1650	25	1650	15	0.4
L1771.25-1700	25	1700	15	0.4
L1771.25-1750	25	1750	15	0.4
L1771.25-1800	25	1800	15	0.4
L1771.25-1850	25	1850	15	0.4
L1771.25-1900	25	1900	15	0.4
L1771.25-1950	25	1950	15	0.4
L1771.25-2000	25	2000	15	0.4
L1771.25-2050	25	2050	15	0.4
L1771.25-2100	25	2100	15	0.4
L1771.25-2150	25	2150	15	0.4
L1771.25-2200	25	2200	15	0.4
L1771.25-2250	25	2250	15	0.4
L1771.25-2300	25	2300	15	0.4
L1771.25-2350	25	2350	15	0.4
L1771.25-2400	25	2400	15	0.4
L1771.25-2450	25	2450	15	0.4
L1771.25-2500	25	2500	15	0.4
L1771.25-2550	25	2550	15	0.4
L1771.25-2600	25	2600	15	0.4
L1771.25-2650	25	2650	15	0.4
L1771.25-2700	25	2700	15	0.4
L1771.25-2750	25	2750	15	0.4
L1771.25-2800	25	2800	15	0.4
L1771.25-2850	25	2850	15	0.4
L1771.25-2900	25	2900	15	0.4
L1771.25-2950	25	2950	15	0.4
L1771.25-3000	25	3000	15	0.4
L1771.25-3050	25	3050	15	0.4
L1771.25-3100	25	3100	15	0.4
L1771.25-3150	25	3150	15	0.4
L1771.25-3200	25	3200	15	0.4
L1771.25-3250	25	3250	15	0.4
L1771.25-3300	25	3300	15	0.4
L1771.25-3350	25	3350	15	0.4
L1771.25-3400	25	3400	15	0.4
L1771.25-3450	25	3450	15	0.4
L1771.25-3500	25	3500	15	0.4
L1771.25-3550	25	3550	15	0.4
L1771.25-3600	25	3600	15	0.4
L1771.25-3650	25	3650	15	0.4
L1771.25-3700	25	3700	15	0.4
L1771.25-3750	25	3750	15	0.4
L1771.25-3800	25	3800	15	0.4
L1771.25-3850	25	3850	15	0.4
L1771.25-3900	25	3900	15	0.4
L1771.25-3950	25	3950	15	0.4
L1771.25-4000	25	4000	15	0.4
L1771.25-4050	25	4050	15	0.4
L1771.25-4100	25	4100	15	0.4
L1771.25-4150	25	4150	15	0.4
L1771.25-4200	25	4200	15	0.4
L1771.25-4250	25	4250	15	0.4
L1771.25-4300	25	4300	15	0.4
L1771.25-4350	25	4350	15	0.4
L1771.25-4400	25	4400	15	0.4
L1771.25-4450	25	4450	15	0.4
L1771.25-4500	25	4500	15	0.4
L1771.25-4550	25	4550	15	0.4
L1771.25-4600	25	4600	15	0.4
L1771.25-4650	25	4650	15	0.4
L1771.25-4700	25	4700	15	0.4
L1771.25-4750	25	4750	15	0.4
L1771.25-4800	25	4800	15	0.4
L1771.25-4850	25	4850	15	0.4
L1771.25-4900	25	4900	15	0.4
L1771.25-4950	25	4950	15	0.4
L1771.25-5000	25	5000	15	0.4

LINEAR SHAFT BARS

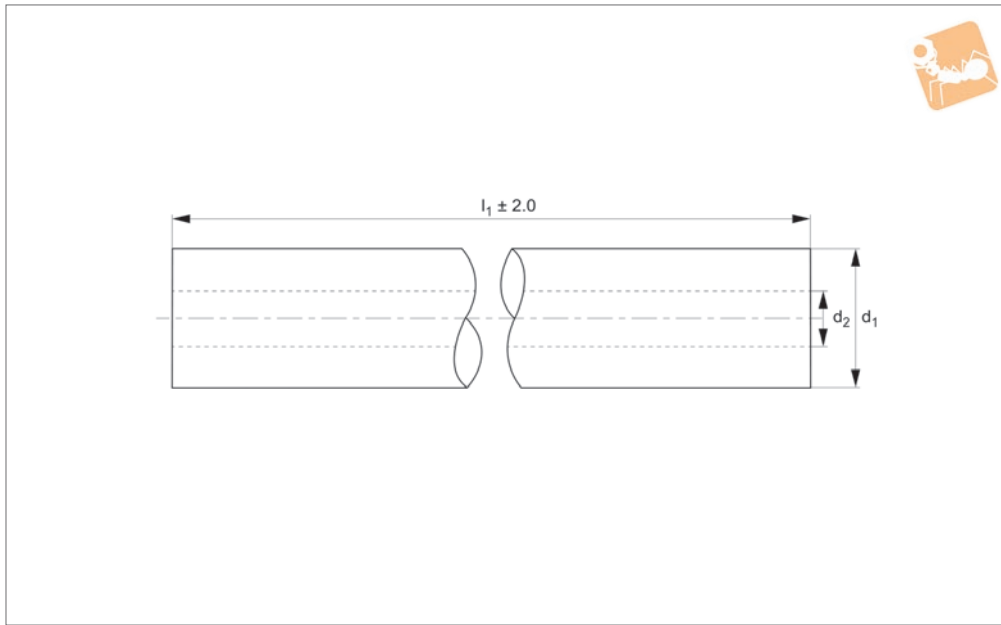


Order No.	d ₁ tol. h6	l ₁	d ₂	Depth of hardness min.
L1771.25-5050	25	5050	15	0.4
L1771.25-5100	25	5100	15	0.4
L1771.25-5150	25	5150	15	0.4
L1771.25-5200	25	5200	15	0.4
L1771.25-5250	25	5250	15	0.4
L1771.25-5300	25	5300	15	0.4
L1771.25-5350	25	5350	15	0.4
L1771.25-5400	25	5400	15	0.4
L1771.25-5450	25	5450	15	0.4
L1771.25-5500	25	5500	15	0.4
L1771.25-5550	25	5550	15	0.4
L1771.25-5600	25	5600	15	0.4
L1771.25-5650	25	5650	15	0.4
L1771.25-5700	25	5700	15	0.4
L1771.25-5750	25	5750	15	0.4
L1771.25-5800	25	5800	15	0.4
L1771.25-5850	25	5850	15	0.4
L1771.25-5900	25	5900	15	0.4
L1771.25-5950	25	5950	15	0.4
L1771.25-6000	25	6000	15	0.4



30Ø Hardened Hollow Shafts for linear bearings

Linear Shaft Bars



L1771.30

LINEAR SHAFT BARS

Material

Carbon steel (C60), surface hardness 60-65 HRC. Surface finish 0.3-0.6µ Ra, ground and polished to 8-12 cla.

Technical Notes

Used in linear bearing and guideway

systems where weight reduction is important.

Tolerance, h6 standard, special tolerances upon request.

Suitable for use with linear bearings.

Straightness 0,1mm/m.

Tips

Modifications, drilled and tapped holes, retainer grooves, special coatings etc. are available.

Shaft lengths are cut to typically ± 2 mm, ends are not hardened.

Order No.	d_1 tol. h6	l_1	d_2 tol. h6	Depth of hardness min.
L1771.30-0100	30	100	18	0.6
L1771.30-0150	30	150	18	0.6
L1771.30-0200	30	200	18	0.6
L1771.30-0250	30	250	18	0.6
L1771.30-0300	30	300	18	0.6
L1771.30-0350	30	350	18	0.6
L1771.30-0400	30	400	18	0.6
L1771.30-0450	30	450	18	0.6
L1771.30-0500	30	500	18	0.6
L1771.30-0550	30	550	18	0.6
L1771.30-0600	30	600	18	0.6
L1771.30-0650	30	650	18	0.6
L1771.30-0700	30	700	18	0.6
L1771.30-0750	30	750	18	0.6
L1771.30-0800	30	800	18	0.6
L1771.30-0850	30	850	18	0.6
L1771.30-0900	30	900	18	0.6
L1771.30-0950	30	950	18	0.6
L1771.30-1000	30	1000	18	0.6
L1771.30-1050	30	1050	18	0.6
L1771.30-1100	30	1100	18	0.6
L1771.30-1150	30	1150	18	0.6
L1771.30-1200	30	1200	18	0.6
L1771.30-1250	30	1250	18	0.6
L1771.30-1300	30	1300	18	0.6
L1771.30-1350	30	1350	18	0.6
L1771.30-1400	30	1400	18	0.6
L1771.30-1450	30	1450	18	0.6
L1771.30-1500	30	1500	18	0.6
L1771.30-1550	30	1550	18	0.6
L1771.30-1600	30	1600	18	0.6



Order No.	d ₁ tol. h6	l ₁	d ₂ tol. h6	Depth of hardness min.
L1771.30-1650	30	1650	18	0.6
L1771.30-1700	30	1700	18	0.6
L1771.30-1750	30	1750	18	0.6
L1771.30-1800	30	1800	18	0.6
L1771.30-1850	30	1850	18	0.6
L1771.30-1900	30	1900	18	0.6
L1771.30-1950	30	1950	18	0.6
L1771.30-2000	30	2000	18	0.6
L1771.30-2050	30	2050	18	0.6
L1771.30-2100	30	2100	18	0.6
L1771.30-2150	30	2150	18	0.6
L1771.30-2200	30	2200	18	0.6
L1771.30-2250	30	2250	18	0.6
L1771.30-2300	30	2300	18	0.6
L1771.30-2350	30	2350	18	0.6
L1771.30-2400	30	2400	18	0.6
L1771.30-2450	30	2450	18	0.6
L1771.30-2500	30	2500	18	0.6
L1771.30-2550	30	2550	18	0.6
L1771.30-2600	30	2600	18	0.6
L1771.30-2650	30	2650	18	0.6
L1771.30-2700	30	2700	18	0.6
L1771.30-2750	30	2750	18	0.6
L1771.30-2800	30	2800	18	0.6
L1771.30-2850	30	2850	18	0.6
L1771.30-2900	30	2900	18	0.6
L1771.30-2950	30	2950	18	0.6
L1771.30-3000	30	3000	18	0.6
L1771.30-3050	30	3050	18	0.6
L1771.30-3100	30	3100	18	0.6
L1771.30-3150	30	3150	18	0.6
L1771.30-3200	30	3200	18	0.6
L1771.30-3250	30	3250	18	0.6
L1771.30-3300	30	3300	18	0.6
L1771.30-3350	30	3350	18	0.6
L1771.30-3400	30	3400	18	0.6
L1771.30-3450	30	3450	18	0.6
L1771.30-3500	30	3500	18	0.6
L1771.30-3550	30	3550	18	0.6
L1771.30-3600	30	3600	18	0.6
L1771.30-3650	30	3650	18	0.6
L1771.30-3700	30	3700	18	0.6
L1771.30-3750	30	3750	18	0.6
L1771.30-3800	30	3800	18	0.6
L1771.30-3850	30	3850	18	0.6
L1771.30-3900	30	3900	18	0.6
L1771.30-3950	30	3950	18	0.6
L1771.30-4000	30	4000	18	0.6
L1771.30-4050	30	4050	18	0.6
L1771.30-4100	30	4100	18	0.6
L1771.30-4150	30	4150	18	0.6
L1771.30-4200	30	4200	18	0.6
L1771.30-4250	30	4250	18	0.6
L1771.30-4300	30	4300	18	0.6
L1771.30-4350	30	4350	18	0.6
L1771.30-4400	30	4400	18	0.6
L1771.30-4450	30	4450	18	0.6
L1771.30-4500	30	4500	18	0.6
L1771.30-4550	30	4550	18	0.6
L1771.30-4600	30	4600	18	0.6
L1771.30-4650	30	4650	18	0.6
L1771.30-4700	30	4700	18	0.6
L1771.30-4750	30	4750	18	0.6
L1771.30-4800	30	4800	18	0.6
L1771.30-4850	30	4850	18	0.6
L1771.30-4900	30	4900	18	0.6
L1771.30-4950	30	4950	18	0.6
L1771.30-5000	30	5000	18	0.6



30Ø Hardened Hollow Shafts for linear bearings

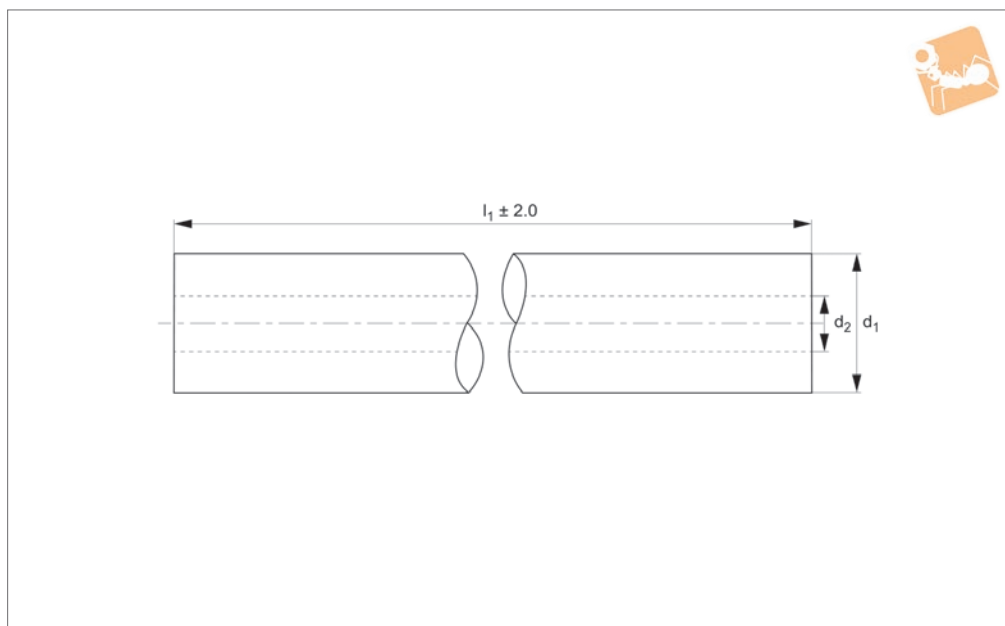
Linear Shaft
Bars

Order No.	d ₁ tol. h6	l ₁	d ₂ tol. h6	Depth of hardness min.
L1771.30-5050	30	5050	18	0.6
L1771.30-5100	30	5100	18	0.6
L1771.30-5150	30	5150	18	0.6
L1771.30-5200	30	5200	18	0.6
L1771.30-5250	30	5250	18	0.6
L1771.30-5300	30	5300	18	0.6
L1771.30-5350	30	5350	18	0.6
L1771.30-5400	30	5400	18	0.6
L1771.30-5450	30	5450	18	0.6
L1771.30-5500	30	5500	18	0.6
L1771.30-5550	30	5550	18	0.6
L1771.30-5600	30	5600	18	0.6
L1771.30-5650	30	5650	18	0.6
L1771.30-5700	30	5700	18	0.6
L1771.30-5750	30	5750	18	0.6
L1771.30-5800	30	5800	18	0.6
L1771.30-5850	30	5850	18	0.6
L1771.30-5900	30	5900	18	0.6
L1771.30-5950	30	5950	18	0.6
L1771.30-6000	30	6000	18	0.6

LINEAR SHAFT BARS



L1771.40



Material

Carbon steel (C60), surface hardness 60-65 HRC. Surface finish 0.3-0.6µ Ra, ground and polished to 8-12 cla.

Technical Notes

Used in linear bearing and guideway

systems where weight reduction is important.

Tolerance, h6 standard, special tolerances upon request.

Suitable for use with linear bearings.

Straightness 0,1mm/m.

Tips

Modifications, drilled and tapped holes, retainer grooves, special coatings etc. are available.

Shaft lengths are cut to typically ± 2mm, ends are not hardened.

Order No.	d ₁ tol. h6	l ₁	d ₂ tol. h6	Depth of hardness min.
L1771.40-0100	40	100	28	0.6
L1771.40-0150	40	150	28	0.6
L1771.40-0200	40	200	28	0.6
L1771.40-0250	40	250	28	0.6
L1771.40-0300	40	300	28	0.6
L1771.40-0350	40	350	28	0.6
L1771.40-0400	40	400	28	0.6
L1771.40-0450	40	450	28	0.6
L1771.40-0500	40	500	28	0.6
L1771.40-0550	40	550	28	0.6
L1771.40-0600	40	600	28	0.6
L1771.40-0650	40	650	28	0.6
L1771.40-0700	40	700	28	0.6
L1771.40-0750	40	750	28	0.6
L1771.40-0800	40	800	28	0.6
L1771.40-0850	40	850	28	0.6
L1771.40-0900	40	900	28	0.6
L1771.40-0950	40	950	28	0.6
L1771.40-1000	40	1000	28	0.6
L1771.40-1050	40	1050	28	0.6
L1771.40-1100	40	1100	28	0.6
L1771.40-1150	40	1150	28	0.6
L1771.40-1200	40	1200	28	0.6
L1771.40-1250	40	1250	28	0.6
L1771.40-1300	40	1300	28	0.6
L1771.40-1350	40	1350	28	0.6
L1771.40-1400	40	1400	28	0.6
L1771.40-1450	40	1450	28	0.6
L1771.40-1500	40	1500	28	0.6
L1771.40-1550	40	1550	28	0.6
L1771.40-1600	40	1600	28	0.6



40Ø Hardened Hollow Shafts for linear bearings

Linear Shaft
Bars

Order No.	d ₁ tol. h6	l ₁	d ₂ tol. h6	Depth of hardness min.
L1771.40-1650	40	1650	28	0.6
L1771.40-1700	40	1700	28	0.6
L1771.40-1750	40	1750	28	0.6
L1771.40-1800	40	1800	28	0.6
L1771.40-1850	40	1850	28	0.6
L1771.40-1900	40	1900	28	0.6
L1771.40-1950	40	1950	28	0.6
L1771.40-2000	40	2000	28	0.6
L1771.40-2050	40	2050	28	0.6
L1771.40-2100	40	2100	28	0.6
L1771.40-2150	40	2150	28	0.6
L1771.40-2200	40	2200	28	0.6
L1771.40-2250	40	2250	28	0.6
L1771.40-2300	40	2300	28	0.6
L1771.40-2350	40	2350	28	0.6
L1771.40-2400	40	2400	28	0.6
L1771.40-2450	40	2450	28	0.6
L1771.40-2500	40	2500	28	0.6
L1771.40-2550	40	2550	28	0.6
L1771.40-2600	40	2600	28	0.6
L1771.40-2650	40	2650	28	0.6
L1771.40-2700	40	2700	28	0.6
L1771.40-2750	40	2750	28	0.6
L1771.40-2800	40	2800	28	0.6
L1771.40-2850	40	2850	28	0.6
L1771.40-2900	40	2900	28	0.6
L1771.40-2950	40	2950	28	0.6
L1771.40-3000	40	3000	28	0.6
L1771.40-3050	40	3050	28	0.6
L1771.40-3100	40	3100	28	0.6
L1771.40-3150	40	3150	28	0.6
L1771.40-3200	40	3200	28	0.6
L1771.40-3250	40	3250	28	0.6
L1771.40-3300	40	3300	28	0.6
L1771.40-3350	40	3350	28	0.6
L1771.40-3400	40	3400	28	0.6
L1771.40-3450	40	3450	28	0.6
L1771.40-3500	40	3500	28	0.6
L1771.40-3550	40	3550	28	0.6
L1771.40-3600	40	3600	28	0.6
L1771.40-3650	40	3650	28	0.6
L1771.40-3700	40	3700	28	0.6
L1771.40-3750	40	3750	28	0.6
L1771.40-3800	40	3800	28	0.6
L1771.40-3850	40	3850	28	0.6
L1771.40-3900	40	3900	28	0.6
L1771.40-3950	40	3950	28	0.6
L1771.40-4000	40	4000	28	0.6
L1771.40-4050	40	4050	28	0.6
L1771.40-4100	40	4100	28	0.6
L1771.40-4150	40	4150	28	0.6
L1771.40-4200	40	4200	28	0.6
L1771.40-4250	40	4250	28	0.6
L1771.40-4300	40	4300	28	0.6
L1771.40-4350	40	4350	28	0.6
L1771.40-4400	40	4400	28	0.6
L1771.40-4450	40	4450	28	0.6
L1771.40-4500	40	4500	28	0.6
L1771.40-4550	40	4550	28	0.6
L1771.40-4600	40	4600	28	0.6
L1771.40-4650	40	4650	28	0.6
L1771.40-4700	40	4700	28	0.6
L1771.40-4750	40	4750	28	0.6
L1771.40-4800	40	4800	28	0.6
L1771.40-4850	40	4850	28	0.6
L1771.40-4900	40	4900	28	0.6
L1771.40-4950	40	4950	28	0.6
L1771.40-5000	40	5000	28	0.6

LINEAR SHAFT BARS

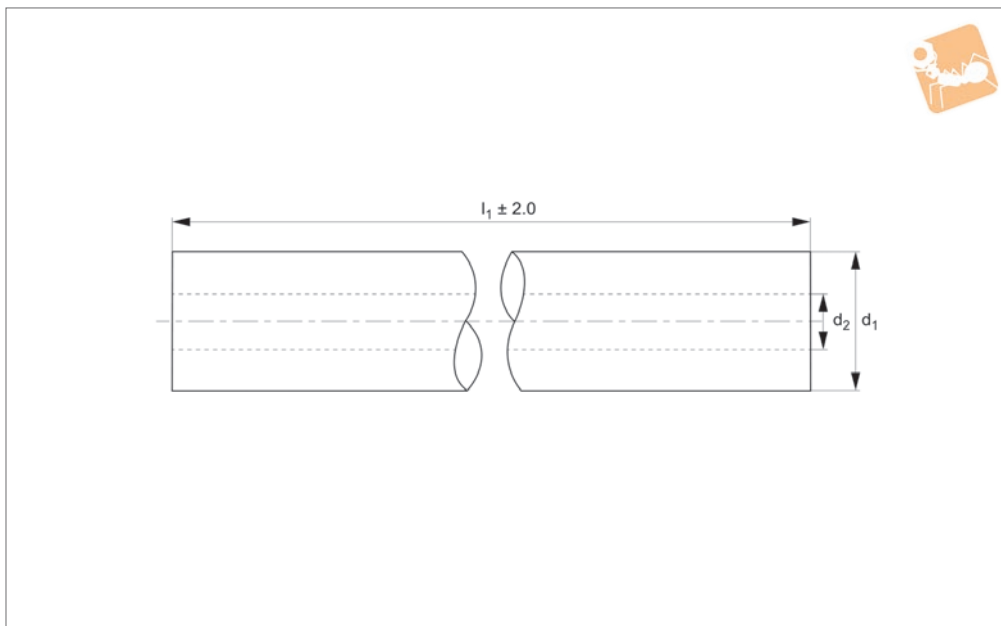


Order No.	d ₁ tol. h6	l ₁	d ₂ tol. h6	Depth of hardness min.
L1771.40-5050	40	5050	28	0.6
L1771.40-5100	40	5100	28	0.6
L1771.40-5150	40	5150	28	0.6
L1771.40-5200	40	5200	28	0.6
L1771.40-5250	40	5250	28	0.6
L1771.40-5300	40	5300	28	0.6
L1771.40-5350	40	5350	28	0.6
L1771.40-5400	40	5400	28	0.6
L1771.40-5450	40	5450	28	0.6
L1771.40-5500	40	5500	28	0.6
L1771.40-5550	40	5550	28	0.6
L1771.40-5600	40	5600	28	0.6
L1771.40-5650	40	5650	28	0.6
L1771.40-5700	40	5700	28	0.6
L1771.40-5750	40	5750	28	0.6
L1771.40-5800	40	5800	28	0.6
L1771.40-5850	40	5850	28	0.6
L1771.40-5900	40	5900	28	0.6
L1771.40-5950	40	5950	28	0.6
L1771.40-6000	40	6000	28	0.6



50Ø Hardened Hollow Shafts for linear bearings

Linear Shaft Bars



L1771.50

LINEAR SHAFT BARS

Material

Carbon steel (C60), surface hardness 60-65 HRC. Surface finish 0.3-0.6µ Ra, ground and polished to 8-12 cla.

Technical Notes

Used in linear bearing and guideway

systems where weight reduction is important.

Tolerance, h6 standard, special tolerances upon request.

Suitable for use with linear bearings. Straightness 0,1mm/m.

Tips

Modifications, drilled and tapped holes, retainer grooves, special coatings etc. are available.

Shaft lengths are cut to typically ± 2mm, ends are not hardened.

Order No.	d ₁ tol. h6	l ₁	d ₂ tol. h6	Depth of hardness min.
L1771.50-0100	50	100	28	0.6
L1771.50-0150	50	150	28	0.6
L1771.50-0200	50	200	28	0.6
L1771.50-0250	50	250	28	0.6
L1771.50-0300	50	300	28	0.6
L1771.50-0350	50	350	28	0.6
L1771.50-0400	50	400	28	0.6
L1771.50-0450	50	450	28	0.6
L1771.50-0500	50	500	28	0.6
L1771.50-0550	50	550	28	0.6
L1771.50-0600	50	600	28	0.6
L1771.50-0650	50	650	28	0.6
L1771.50-0700	50	700	28	0.6
L1771.50-0750	50	750	28	0.6
L1771.50-0800	50	800	28	0.6
L1771.50-0850	50	850	28	0.6
L1771.50-0900	50	900	28	0.6
L1771.50-0950	50	950	28	0.6
L1771.50-1000	50	1000	28	0.6
L1771.50-1050	50	1050	28	0.6
L1771.50-1100	50	1100	28	0.6
L1771.50-1150	50	1150	28	0.6
L1771.50-1200	50	1200	28	0.6
L1771.50-1250	50	1250	28	0.6
L1771.50-1300	50	1300	28	0.6
L1771.50-1350	50	1350	28	0.6
L1771.50-1400	50	1400	28	0.6
L1771.50-1450	50	1450	28	0.6
L1771.50-1500	50	1500	28	0.6
L1771.50-1550	50	1550	28	0.6
L1771.50-1600	50	1600	28	0.6



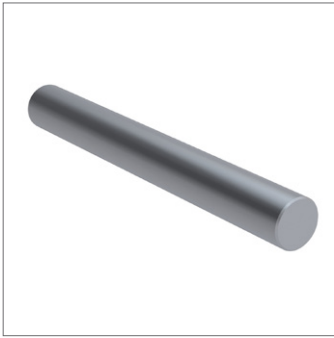
Order No.	d ₁ tol. h6	l ₁	d ₂ tol. h6	Depth of hardness min.
L1771.50-1650	50	1650	28	0.6
L1771.50-1700	50	1700	28	0.6
L1771.50-1750	50	1750	28	0.6
L1771.50-1800	50	1800	28	0.6
L1771.50-1850	50	1850	28	0.6
L1771.50-1900	50	1900	28	0.6
L1771.50-1950	50	1950	28	0.6
L1771.50-2000	50	2000	28	0.6
L1771.50-2050	50	2050	28	0.6
L1771.50-2100	50	2100	28	0.6
L1771.50-2150	50	2150	28	0.6
L1771.50-2200	50	2200	28	0.6
L1771.50-2250	50	2250	28	0.6
L1771.50-2300	50	2300	28	0.6
L1771.50-2350	50	2350	28	0.6
L1771.50-2400	50	2400	28	0.6
L1771.50-2450	50	2450	28	0.6
L1771.50-2500	50	2500	28	0.6
L1771.50-2550	50	2550	28	0.6
L1771.50-2600	50	2600	28	0.6
L1771.50-2650	50	2650	28	0.6
L1771.50-2700	50	2700	28	0.6
L1771.50-2750	50	2750	28	0.6
L1771.50-2800	50	2800	28	0.6
L1771.50-2850	50	2850	28	0.6
L1771.50-2900	50	2900	28	0.6
L1771.50-2950	50	2950	28	0.6
L1771.50-3000	50	3000	28	0.6
L1771.50-3050	50	3050	28	0.6
L1771.50-3100	50	3100	28	0.6
L1771.50-3150	50	3150	28	0.6
L1771.50-3200	50	3200	28	0.6
L1771.50-3250	50	3250	28	0.6
L1771.50-3300	50	3300	28	0.6
L1771.50-3350	50	3350	28	0.6
L1771.50-3400	50	3400	28	0.6
L1771.50-3450	50	3450	28	0.6
L1771.50-3500	50	3500	28	0.6
L1771.50-3550	50	3550	28	0.6
L1771.50-3600	50	3600	28	0.6
L1771.50-3650	50	3650	28	0.6
L1771.50-3700	50	3700	28	0.6
L1771.50-3750	50	3750	28	0.6
L1771.50-3800	50	3800	28	0.6
L1771.50-3850	50	3850	28	0.6
L1771.50-3900	50	3900	28	0.6
L1771.50-3950	50	3950	28	0.6
L1771.50-4000	50	4000	28	0.6
L1771.50-4050	50	4050	28	0.6
L1771.50-4100	50	4100	28	0.6
L1771.50-4150	50	4150	28	0.6
L1771.50-4200	50	4200	28	0.6
L1771.50-4250	50	4250	28	0.6
L1771.50-4300	50	4300	28	0.6
L1771.50-4350	50	4350	28	0.6
L1771.50-4400	50	4400	28	0.6
L1771.50-4450	50	4450	28	0.6
L1771.50-4500	50	4500	28	0.6
L1771.50-4550	50	4550	28	0.6
L1771.50-4600	50	4600	28	0.6
L1771.50-4650	50	4650	28	0.6
L1771.50-4700	50	4700	28	0.6
L1771.50-4750	50	4750	28	0.6
L1771.50-4800	50	4800	28	0.6
L1771.50-4850	50	4850	28	0.6
L1771.50-4900	50	4900	28	0.6
L1771.50-4950	50	4950	28	0.6
L1771.50-5000	50	5000	28	0.6



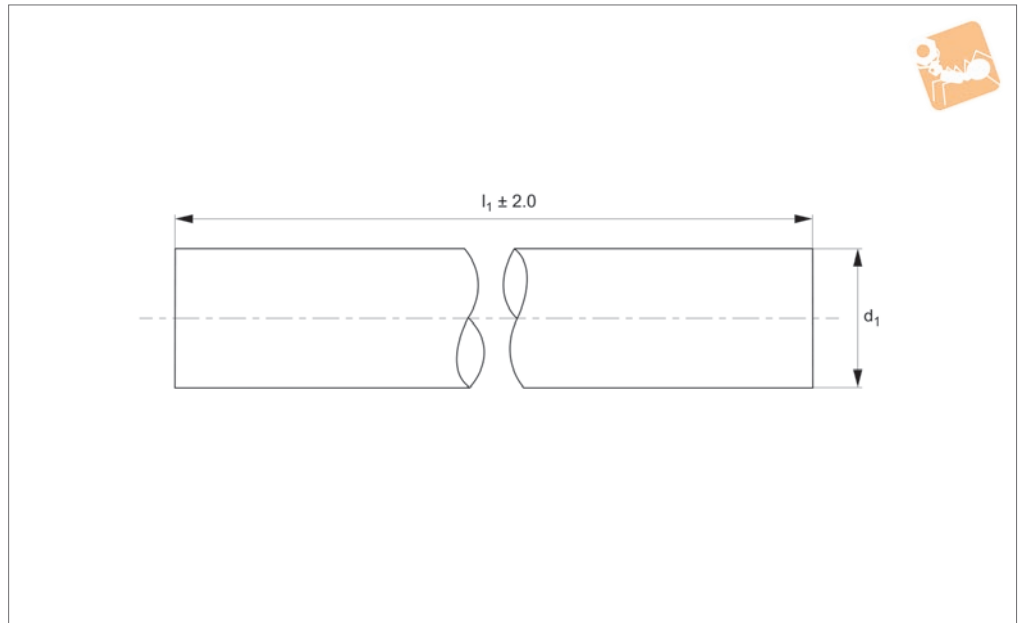
50Ø Hardened Hollow Shafts for linear bearings

Linear Shaft Bars

Order No.	d ₁ tol. h6	l ₁	d ₂ tol. h6	Depth of hardness min.
L1771.50-5050	50	5050	28	0.6
L1771.50-5100	50	5100	28	0.6
L1771.50-5150	50	5150	28	0.6
L1771.50-5200	50	5200	28	0.6
L1771.50-5250	50	5250	28	0.6
L1771.50-5300	50	5300	28	0.6
L1771.50-5350	50	5350	28	0.6
L1771.50-5400	50	5400	28	0.6
L1771.50-5450	50	5450	28	0.6
L1771.50-5500	50	5500	28	0.6
L1771.50-5550	50	5550	28	0.6
L1771.50-5600	50	5600	28	0.6
L1771.50-5650	50	5650	28	0.6
L1771.50-5700	50	5700	28	0.6
L1771.50-5750	50	5750	28	0.6
L1771.50-5800	50	5800	28	0.6
L1771.50-5850	50	5850	28	0.6
L1771.50-5900	50	5900	28	0.6
L1771.50-5950	50	5950	28	0.6
L1771.50-6000	50	6000	28	0.6



L1773.06



Material

Stainless steel AISI 303 (1.4305, X10CrNiS18-19), surface finish 0.3-0.6µ Ra, ground and polished to 8-12 cla. Yield stress: >510 N/mm², tensile strength: >720 N/mm².

Technical Notes

Tolerance, h6 standard, other tolerances

on request.
Straightness 0,3mm/m.

Tips

Modifications, drilled and tapped holes, circlip grooves, special coatings etc. available.

Shafts lengths are cut to typically ± 2mm.
To be used with ceramic or other bearings

not containing hardened ball bearings.

Order No.	d ₁	l ₁	Tolerance µ tol. h6
L1773.06-0100	6	100	+0,-8
L1773.06-0150	6	150	+0,-8
L1773.06-0200	6	200	+0,-8
L1773.06-0250	6	250	+0,-8
L1773.06-0300	6	300	+0,-8
L1773.06-0350	6	350	+0,-8
L1773.06-0400	6	400	+0,-8
L1773.06-0450	6	450	+0,-8
L1773.06-0500	6	500	+0,-8
L1773.06-0550	6	550	+0,-8
L1773.06-0600	6	600	+0,-8
L1773.06-0650	6	650	+0,-8
L1773.06-0700	6	700	+0,-8
L1773.06-0750	6	750	+0,-8
L1773.06-0800	6	800	+0,-8
L1773.06-0850	6	850	+0,-8
L1773.06-0900	6	900	+0,-8
L1773.06-0950	6	950	+0,-8
L1773.06-1000	6	1000	+0,-8
L1773.06-1050	6	1050	+0,-8
L1773.06-1100	6	1100	+0,-8
L1773.06-1150	6	1150	+0,-8
L1773.06-1200	6	1200	+0,-8
L1773.06-1250	6	1250	+0,-8
L1773.06-1300	6	1300	+0,-8
L1773.06-1350	6	1350	+0,-8
L1773.06-1400	6	1400	+0,-8
L1773.06-1450	6	1450	+0,-8
L1773.06-1500	6	1500	+0,-8



6Ø Stainless AISI 303 Shafts

soft

Linear Shaft Bars

Order No.	d ₁	l ₁	Tolerance μ tol. h6
L1773.06-1550	6	1550	+0,-8
L1773.06-1600	6	1600	+0,-8
L1773.06-1650	6	1650	+0,-8
L1773.06-1700	6	1700	+0,-8
L1773.06-1750	6	1750	+0,-8
L1773.06-1800	6	1800	+0,-8
L1773.06-1850	6	1850	+0,-8
L1773.06-1900	6	1900	+0,-8
L1773.06-1950	6	1950	+0,-8
L1773.06-2000	6	2000	+0,-8
L1773.06-2050	6	2050	+0,-8
L1773.06-2100	6	2100	+0,-8
L1773.06-2150	6	2150	+0,-8
L1773.06-2200	6	2200	+0,-8
L1773.06-2250	6	2250	+0,-8
L1773.06-2300	6	2300	+0,-8
L1773.06-2350	6	2350	+0,-8
L1773.06-2400	6	2400	+0,-8
L1773.06-2450	6	2450	+0,-8
L1773.06-2500	6	2500	+0,-8
L1773.06-2550	6	2550	+0,-8
L1773.06-2600	6	2600	+0,-8
L1773.06-2650	6	2650	+0,-8
L1773.06-2700	6	2700	+0,-8
L1773.06-2750	6	2750	+0,-8
L1773.06-2800	6	2800	+0,-8
L1773.06-2850	6	2850	+0,-8
L1773.06-2900	6	2900	+0,-8
L1773.06-2950	6	2950	+0,-8
L1773.06-3000	6	3000	+0,-8
L1773.06-3050	6	3050	+0,-8
L1773.06-3100	6	3100	+0,-8
L1773.06-3150	6	3150	+0,-8
L1773.06-3200	6	3200	+0,-8
L1773.06-3250	6	3250	+0,-8
L1773.06-3300	6	3300	+0,-8
L1773.06-3350	6	3350	+0,-8
L1773.06-3400	6	3400	+0,-8
L1773.06-3450	6	3450	+0,-8
L1773.06-3500	6	3500	+0,-8
L1773.06-3550	6	3550	+0,-8
L1773.06-3600	6	3600	+0,-8
L1773.06-3650	6	3650	+0,-8
L1773.06-3700	6	3700	+0,-8
L1773.06-3750	6	3750	+0,-8
L1773.06-3800	6	3800	+0,-8
L1773.06-3850	6	3850	+0,-8
L1773.06-3900	6	3900	+0,-8
L1773.06-3950	6	3950	+0,-8
L1773.06-4000	6	4000	+0,-8
L1773.06-4050	6	4050	+0,-8
L1773.06-4100	6	4100	+0,-8
L1773.06-4150	6	4150	+0,-8
L1773.06-4200	6	4200	+0,-8
L1773.06-4250	6	4250	+0,-8
L1773.06-4300	6	4300	+0,-8
L1773.06-4350	6	4350	+0,-8
L1773.06-4400	6	4400	+0,-8
L1773.06-4450	6	4450	+0,-8
L1773.06-4500	6	4500	+0,-8
L1773.06-4550	6	4550	+0,-8
L1773.06-4600	6	4600	+0,-8
L1773.06-4650	6	4650	+0,-8
L1773.06-4700	6	4700	+0,-8
L1773.06-4750	6	4750	+0,-8
L1773.06-4800	6	4800	+0,-8
L1773.06-4850	6	4850	+0,-8
L1773.06-4900	6	4900	+0,-8

LINEAR SHAFT BARS



Order No.	d ₁	l ₁	Tolerance μ tol. h6
L1773.06-4950	6	4950	+0,-8
L1773.06-5000	6	5000	+0,-8
L1773.06-5050	6	5050	+0,-8
L1773.06-5100	6	5100	+0,-8
L1773.06-5150	6	5150	+0,-8
L1773.06-5200	6	5200	+0,-8
L1773.06-5250	6	5250	+0,-8
L1773.06-5300	6	5300	+0,-8
L1773.06-5350	6	5350	+0,-8
L1773.06-5400	6	5400	+0,-8
L1773.06-5450	6	5450	+0,-8
L1773.06-5500	6	5500	+0,-8
L1773.06-5550	6	5550	+0,-8
L1773.06-5600	6	5600	+0,-8
L1773.06-5650	6	5650	+0,-8
L1773.06-5700	6	5700	+0,-8
L1773.06-5750	6	5750	+0,-8
L1773.06-5800	6	5800	+0,-8
L1773.06-5850	6	5850	+0,-8
L1773.06-5900	6	5900	+0,-8
L1773.06-5950	6	5950	+0,-8
L1773.06-6000	6	6000	+0,-8



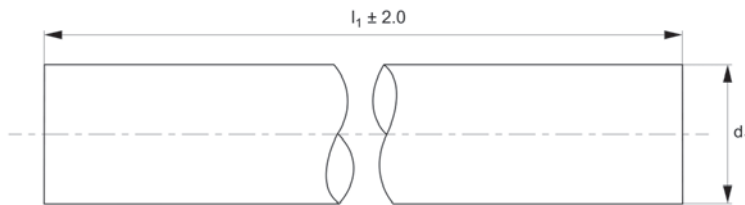
8Ø Stainless AISI 303 Shafts

soft

Linear Shaft Bars



L1773.08



LINEAR SHAFT BARS

Material

Stainless steel AISI 303 (1.4305, X10CrNiS18-19), surface finish 0.3-0.6µ Ra, ground and polished to 8-12 cla. Yield stress: >510 N/mm², tensile strength: >720 N/mm².

Technical Notes

Tolerance, h6 standard, other tolerances

on request.
Straightness 0,3mm/m.

Tips

Modifications, drilled and tapped holes, circlip grooves, special coatings etc. available.

Shafts lengths are cut to typically ± 2 mm.
To be used with ceramic or other bearings

not containing hardened ball bearings.

Order No.	d ₁ tol. h6	l ₁	Tolerance µ tol. h6
L1773.08-0100	8	100	+0,-9
L1773.08-0150	8	150	+0,-9
L1773.08-0200	8	200	+0,-9
L1773.08-0250	8	250	+0,-9
L1773.08-0300	8	300	+0,-9
L1773.08-0350	8	350	+0,-9
L1773.08-0400	8	400	+0,-9
L1773.08-0450	8	450	+0,-9
L1773.08-0500	8	500	+0,-9
L1773.08-0550	8	550	+0,-9
L1773.08-0600	8	600	+0,-9
L1773.08-0650	8	650	+0,-9
L1773.08-0700	8	700	+0,-9
L1773.08-0750	8	750	+0,-9
L1773.08-0800	8	800	+0,-9
L1773.08-0850	8	850	+0,-9
L1773.08-0900	8	900	+0,-9
L1773.08-0950	8	950	+0,-9
L1773.08-1000	8	1000	+0,-9
L1773.08-1050	8	1050	+0,-9
L1773.08-1100	8	1100	+0,-9
L1773.08-1150	8	1150	+0,-9
L1773.08-1200	8	1200	+0,-9
L1773.08-1250	8	1250	+0,-9
L1773.08-1300	8	1300	+0,-9
L1773.08-1350	8	1350	+0,-9
L1773.08-1400	8	1400	+0,-9
L1773.08-1450	8	1450	+0,-9
L1773.08-1500	8	1500	+0,-9



Order No.	d ₁ tol. h6	l ₁	Tolerance μ tol. h6
L1773.08-1550	8	1550	+0,-9
L1773.08-1600	8	1600	+0,-9
L1773.08-1650	8	1650	+0,-9
L1773.08-1700	8	1700	+0,-9
L1773.08-1750	8	1750	+0,-9
L1773.08-1800	8	1800	+0,-9
L1773.08-1850	8	1850	+0,-9
L1773.08-1900	8	1900	+0,-9
L1773.08-1950	8	1950	+0,-9
L1773.08-2000	8	2000	+0,-9
L1773.08-2050	8	2050	+0,-9
L1773.08-2100	8	2100	+0,-9
L1773.08-2150	8	2150	+0,-9
L1773.08-2200	8	2200	+0,-9
L1773.08-2250	8	2250	+0,-9
L1773.08-2300	8	2300	+0,-9
L1773.08-2350	8	2350	+0,-9
L1773.08-2400	8	2400	+0,-9
L1773.08-2450	8	2450	+0,-9
L1773.08-2500	8	2500	+0,-9
L1773.08-2550	8	2550	+0,-9
L1773.08-2600	8	2600	+0,-9
L1773.08-2650	8	2650	+0,-9
L1773.08-2700	8	2700	+0,-9
L1773.08-2750	8	2750	+0,-9
L1773.08-2800	8	2800	+0,-9
L1773.08-2850	8	2850	+0,-9
L1773.08-2900	8	2900	+0,-9
L1773.08-2950	8	2950	+0,-9
L1773.08-3000	8	3000	+0,-9
L1773.08-3050	8	3050	+0,-9
L1773.08-3100	8	3100	+0,-9
L1773.08-3150	8	3150	+0,-9
L1773.08-3200	8	3200	+0,-9
L1773.08-3250	8	3250	+0,-9
L1773.08-3300	8	3300	+0,-9
L1773.08-3350	8	3350	+0,-9
L1773.08-3400	8	3400	+0,-9
L1773.08-3450	8	3450	+0,-9
L1773.08-3500	8	3500	+0,-9
L1773.08-3550	8	3550	+0,-9
L1773.08-3600	8	3600	+0,-9
L1773.08-3650	8	3650	+0,-9
L1773.08-3700	8	3700	+0,-9
L1773.08-3750	8	3750	+0,-9
L1773.08-3800	8	3800	+0,-9
L1773.08-3850	8	3850	+0,-9
L1773.08-3900	8	3900	+0,-9
L1773.08-3950	8	3950	+0,-9
L1773.08-4000	8	4000	+0,-9
L1773.08-4050	8	4050	+0,-9
L1773.08-4100	8	4100	+0,-9
L1773.08-4150	8	4150	+0,-9
L1773.08-4200	8	4200	+0,-9
L1773.08-4250	8	4250	+0,-9
L1773.08-4300	8	4300	+0,-9
L1773.08-4350	8	4350	+0,-9
L1773.08-4400	8	4400	+0,-9
L1773.08-4450	8	4450	+0,-9
L1773.08-4500	8	4500	+0,-9
L1773.08-4550	8	4550	+0,-9
L1773.08-4600	8	4600	+0,-9
L1773.08-4650	8	4650	+0,-9
L1773.08-4700	8	4700	+0,-9
L1773.08-4750	8	4750	+0,-9
L1773.08-4800	8	4800	+0,-9
L1773.08-4850	8	4850	+0,-9
L1773.08-4900	8	4900	+0,-9



8Ø Stainless AISI 303 Shafts

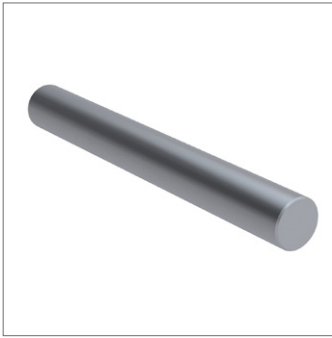
soft

Linear Shaft Bars

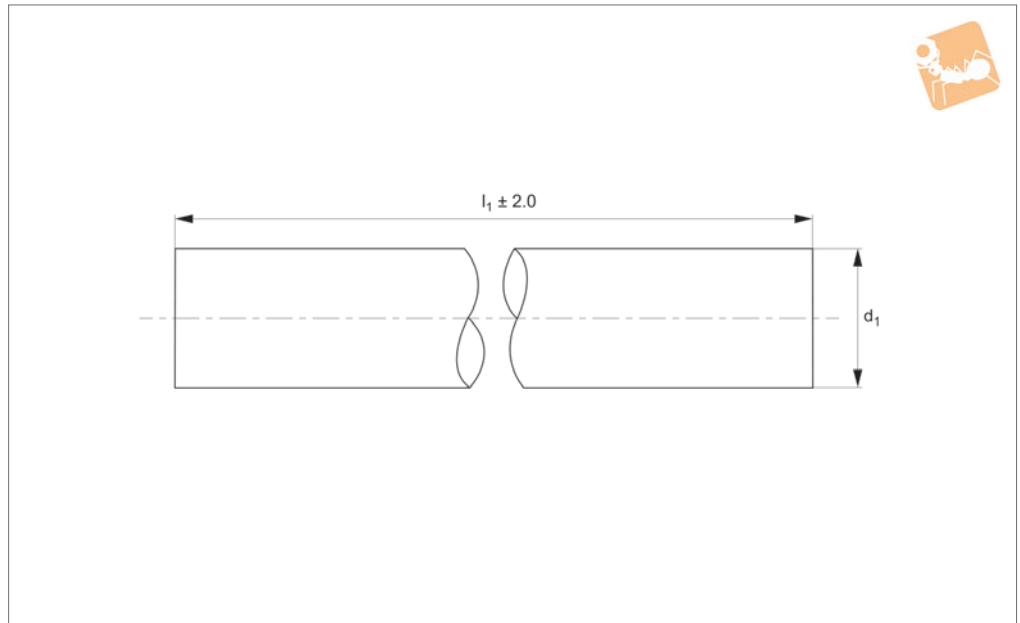


Order No.	d ₁ tol. h6	l ₁	Tolerance μ tol. h6
L1773.08-4950	8	4950	+0,-9
L1773.08-5000	8	5000	+0,-9
L1773.08-5050	8	-	+0,-9
L1773.08-5100	8	5100	+0,-9
L1773.08-5150	8	5150	+0,-9
L1773.08-5200	8	5200	+0,-9
L1773.08-5250	8	5250	+0,-9
L1773.08-5300	8	5300	+0,-9
L1773.08-5350	8	5350	+0,-9
L1773.08-5400	8	5400	+0,-9
L1773.08-5450	8	5450	+0,-9
L1773.08-5500	8	5500	+0,-9
L1773.08-5550	8	5550	+0,-9
L1773.08-5600	8	5600	+0,-9
L1773.08-5650	8	5650	+0,-9
L1773.08-5700	8	5700	+0,-9
L1773.08-5750	8	5750	+0,-9
L1773.08-5800	8	5800	+0,-9
L1773.08-5850	8	5850	+0,-9
L1773.08-5900	8	5900	+0,-9
L1773.08-5950	8	5950	+0,-9
L1773.08-6000	8	6000	+0,-9

LINEAR SHAFT BARS



L1773.10



Material

Stainless steel AISI 303 (1.4305, X10CrNiS18-19), surface finish 0.3-0.6 μ Ra, ground and polished to 8-12 cla. Yield stress: >510 N/mm², tensile strength: >720 N/mm².

Technical Notes

Tolerance, h6 standard, other tolerances

on request.
Straightness 0,2mm/m.

Tips

Modifications, drilled and tapped holes, circlip grooves, special coatings etc. available.

Shafts lengths are cut to typically ± 2 mm.
To be used with ceramic or other bearings

not containing hardened ball bearings.

Order No.	d_1 tol. h6	l_1	Tolerance μ tol. h6
L1773.10-0100	10	100	+0,-10
L1773.10-0150	10	150	+0,-10
L1773.10-0200	10	200	+0,-10
L1773.10-0250	10	250	+0,-10
L1773.10-0300	10	300	+0,-10
L1773.10-0350	10	350	+0,-10
L1773.10-0400	10	400	+0,-10
L1773.10-0450	10	450	+0,-10
L1773.10-0500	10	500	+0,-10
L1773.10-0550	10	550	+0,-10
L1773.10-0600	10	600	+0,-10
L1773.10-0650	10	650	+0,-10
L1773.10-0700	10	700	+0,-10
L1773.10-0750	10	750	+0,-10
L1773.10-0800	10	800	+0,-10
L1773.10-0850	10	852	+0,-10
L1773.10-0900	10	900	+0,-10
L1773.10-0950	10	950	+0,-10
L1773.10-1000	10	1000	+0,-10
L1773.10-1050	10	1050	+0,-10
L1773.10-1100	10	1100	+0,-10
L1773.10-1150	10	1150	+0,-10
L1773.10-1200	10	1200	+0,-10
L1773.10-1250	10	1250	+0,-10
L1773.10-1300	10	1300	+0,-10
L1773.10-1350	10	1350	+0,-10
L1773.10-1400	10	1400	+0,-10
L1773.10-1450	10	1450	+0,-10
L1773.10-1500	10	1500	+0,-10



10Ø Stainless AISI 303 Shafts

soft

Linear Shaft Bars

Order No.	d ₁ tol. h6	l ₁	Tolerance μ tol. h6
L1773.10-1550	10	1550	+0,-10
L1773.10-1600	10	1600	+0,-10
L1773.10-1650	10	1650	+0,-10
L1773.10-1700	10	1700	+0,-10
L1773.10-1750	10	1750	+0,-10
L1773.10-1800	10	1800	+0,-10
L1773.10-1850	10	1850	+0,-10
L1773.10-1900	10	1900	+0,-10
L1773.10-1950	10	1950	+0,-10
L1773.10-2000	10	2000	+0,-10
L1773.10-2050	10	2050	+0,-10
L1773.10-2100	10	2100	+0,-10
L1773.10-2150	10	2150	+0,-10
L1773.10-2200	10	2200	+0,-10
L1773.10-2250	10	2250	+0,-10
L1773.10-2300	10	2300	+0,-10
L1773.10-2350	10	2350	+0,-10
L1773.10-2400	10	2400	+0,-10
L1773.10-2450	10	2450	+0,-10
L1773.10-2500	10	2500	+0,-10
L1773.10-2550	10	2550	+0,-10
L1773.10-2600	10	2600	+0,-10
L1773.10-2650	10	2650	+0,-10
L1773.10-2700	10	2700	+0,-10
L1773.10-2750	10	2750	+0,-10
L1773.10-2800	10	2800	+0,-10
L1773.10-2850	10	2850	+0,-10
L1773.10-2900	10	2900	+0,-10
L1773.10-2950	10	2950	+0,-10
L1773.10-3000	10	3000	+0,-10
L1773.10-3050	10	3050	+0,-10
L1773.10-3100	10	3100	+0,-10
L1773.10-3150	10	3150	+0,-10
L1773.10-3200	10	3200	+0,-10
L1773.10-3250	10	3250	+0,-10
L1773.10-3300	10	3300	+0,-10
L1773.10-3350	10	3350	+0,-10
L1773.10-3400	10	3400	+0,-10
L1773.10-3450	10	3450	+0,-10
L1773.10-3500	10	3500	+0,-10
L1773.10-3550	10	3550	+0,-10
L1773.10-3600	10	3600	+0,-10
L1773.10-3650	10	3650	+0,-10
L1773.10-3700	10	3700	+0,-10
L1773.10-3750	10	3750	+0,-10
L1773.10-3800	10	3800	+0,-10
L1773.10-3850	10	3850	+0,-10
L1773.10-3900	10	3900	+0,-10
L1773.10-3950	10	3950	+0,-10
L1773.10-4000	10	4000	+0,-10
L1773.10-4050	10	4050	+0,-10
L1773.10-4100	10	4100	+0,-10
L1773.10-4150	10	4150	+0,-10
L1773.10-4200	10	4200	+0,-10
L1773.10-4250	10	4250	+0,-10
L1773.10-4300	10	4300	+0,-10
L1773.10-4350	10	4350	+0,-10
L1773.10-4400	10	4400	+0,-10
L1773.10-4450	10	4450	+0,-10
L1773.10-4500	10	4500	+0,-10
L1773.10-4550	10	4550	+0,-10
L1773.10-4600	10	4600	+0,-10
L1773.10-4650	10	4650	+0,-10
L1773.10-4700	10	4700	+0,-10
L1773.10-4750	10	4750	+0,-10
L1773.10-4800	10	4800	+0,-10
L1773.10-4850	10	4850	+0,-10
L1773.10-4900	10	4900	+0,-10

LINEAR SHAFT BARS



Order No.	d ₁ tol. h6	l ₁	Tolerance μ tol. h6
L1773.10-4950	10	4950	+0,-10
L1773.10-5000	10	5000	+0,-10
L1773.10-5050	10	5050	+0,-10
L1773.10-5100	10	5100	+0,-10
L1773.10-5150	10	5150	+0,-10
L1773.10-5200	10	5200	+0,-10
L1773.10-5250	10	5250	+0,-10
L1773.10-5300	10	5300	+0,-10
L1773.10-5350	10	5350	+0,-10
L1773.10-5400	10	5400	+0,-10
L1773.10-5450	10	5450	+0,-10
L1773.10-5500	10	5500	+0,-10
L1773.10-5550	10	5550	+0,-10
L1773.10-5600	10	5600	+0,-10
L1773.10-5650	10	5650	+0,-10
L1773.10-5700	10	5700	+0,-10
L1773.10-5750	10	5750	+0,-10
L1773.10-5800	10	5800	+0,-10
L1773.10-5850	10	5850	+0,-10
L1773.10-5900	10	5900	+0,-10
L1773.10-5950	10	5950	+0,-10
L1773.10-6000	10	6000	+0,-10



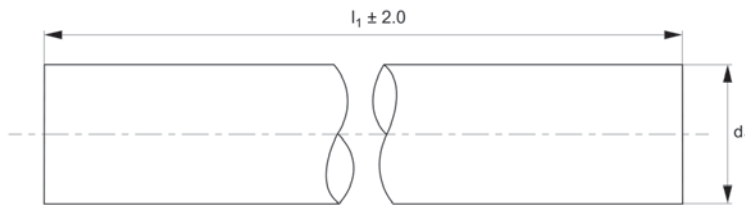
Ø12 Stainless AISI 303 Shafts

soft

Linear Shaft Bars



L1773.12



Material

Stainless steel AISI 303 (1.4305, X10CrNiS18-19), surface finish 0.3-0.6 μ Ra, ground and polished to 8-12 cla. Yield stress: >510 N/mm², tensile strength: >720 N/mm².

Technical Notes

Tolerance, h6 standard, other tolerances

on request.
Straightness 0,2mm/m.

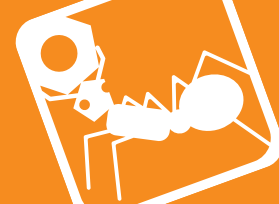
Tips

Modifications, drilled and tapped holes, circlip grooves, special coatings etc. available.

Shafts lengths are cut to typically ± 2 mm.
To be used with ceramic or other bearings

not containing hardened ball bearings.

Order No.	d_1 tol. h6	l_1	Tolerance μ tol. h6
L1773.12-0100	12	100	0.6
L1773.12-0150	12	150	0.6
L1773.12-0200	12	200	0.6
L1773.12-0250	12	250	0.6
L1773.12-0300	12	300	0.6
L1773.12-0350	12	350	0.6
L1773.12-0400	12	400	0.6
L1773.12-0450	12	450	0.6
L1773.12-0500	12	500	0.6
L1773.12-0550	12	550	0.6
L1773.12-0600	12	600	0.6
L1773.12-0650	12	650	0.6
L1773.12-0700	12	700	0.6
L1773.12-0750	12	750	0.6
L1773.12-0800	12	800	0.6
L1773.12-0850	12	850	0.6
L1773.12-0900	12	900	0.6
L1773.12-0950	12	950	0.6
L1773.12-1000	12	1000	0.6
L1773.12-1050	12	1050	0.6
L1773.12-1100	12	1100	0.6
L1773.12-1150	12	1150	0.6
L1773.12-1200	12	1200	0.6
L1773.12-1250	12	1250	0.6
L1773.12-1300	12	1300	0.6
L1773.12-1350	12	1350	0.6
L1773.12-1400	12	1400	0.6
L1773.12-1450	12	1450	0.6
L1773.12-1500	12	1500	0.6



Order No.	d ₁ tol. h6	l ₁	Tolerance μ tol. h6
L1773.12-1550	12	1550	0.6
L1773.12-1600	12	1600	0.6
L1773.12-1650	12	1650	0.6
L1773.12-1700	12	1700	0.6
L1773.12-1750	12	1750	0.6
L1773.12-1800	12	1800	0.6
L1773.12-1850	12	1850	0.6
L1773.12-1900	12	1900	0.6
L1773.12-1950	12	1950	0.6
L1773.12-2000	12	2000	0.6
L1773.12-2050	12	2050	0.6
L1773.12-2100	12	2100	0.6
L1773.12-2150	12	2150	0.6
L1773.12-2200	12	2200	0.6
L1773.12-2250	12	2250	0.6
L1773.12-2300	12	2300	0.6
L1773.12-2350	12	2350	0.6
L1773.12-2400	12	2400	0.6
L1773.12-2450	12	2450	0.6
L1773.12-2500	12	2500	0.6
L1773.12-2550	12	2550	0.6
L1773.12-2600	12	2600	0.6
L1773.12-2650	12	2650	0.6
L1773.12-2700	12	2700	0.6
L1773.12-2750	12	2750	0.6
L1773.12-2800	12	2800	0.6
L1773.12-2850	12	2850	0.6
L1773.12-2900	12	2900	0.6
L1773.12-2950	12	2950	0.6
L1773.12-3000	12	3000	0.6
L1773.12-3050	12	3050	0.6
L1773.12-3100	12	3100	0.6
L1773.12-3150	12	3150	0.6
L1773.12-3200	12	3200	0.6
L1773.12-3250	12	3250	0.6
L1773.12-3300	12	3300	0.6
L1773.12-3350	12	3350	0.6
L1773.12-3400	12	3400	0.6
L1773.12-3450	12	3450	0.6
L1773.12-3500	12	3500	0.6
L1773.12-3550	12	3550	0.6
L1773.12-3600	12	3600	0.6
L1773.12-3650	12	3650	0.6
L1773.12-3700	12	3700	0.6
L1773.12-3750	12	3750	0.6
L1773.12-3800	12	3800	0.6
L1773.12-3850	12	3850	0.6
L1773.12-3900	12	3900	0.6
L1773.12-3950	12	3950	0.6
L1773.12-4000	12	4000	0.6
L1773.12-4050	12	4050	0.6
L1773.12-4100	12	4100	0.6
L1773.12-4150	12	4150	0.6
L1773.12-4200	12	4200	0.6
L1773.12-4250	12	4250	0.6
L1773.12-4300	12	4300	0.6
L1773.12-4350	12	4350	0.6
L1773.12-4400	12	4400	0.6
L1773.12-4450	12	4450	0.6
L1773.12-4500	12	4500	0.6
L1773.12-4550	12	4550	0.6
L1773.12-4600	12	4600	0.6
L1773.12-4650	12	4650	0.6
L1773.12-4700	12	4700	0.6
L1773.12-4750	12	4750	0.6
L1773.12-4800	12	4800	0.6
L1773.12-4850	12	4850	0.6
L1773.12-4900	12	4900	0.6



Ø12 Stainless AISI 303 Shafts

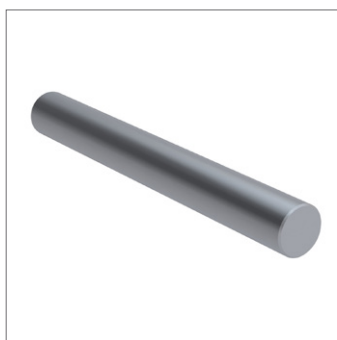
soft

Linear Shaft Bars

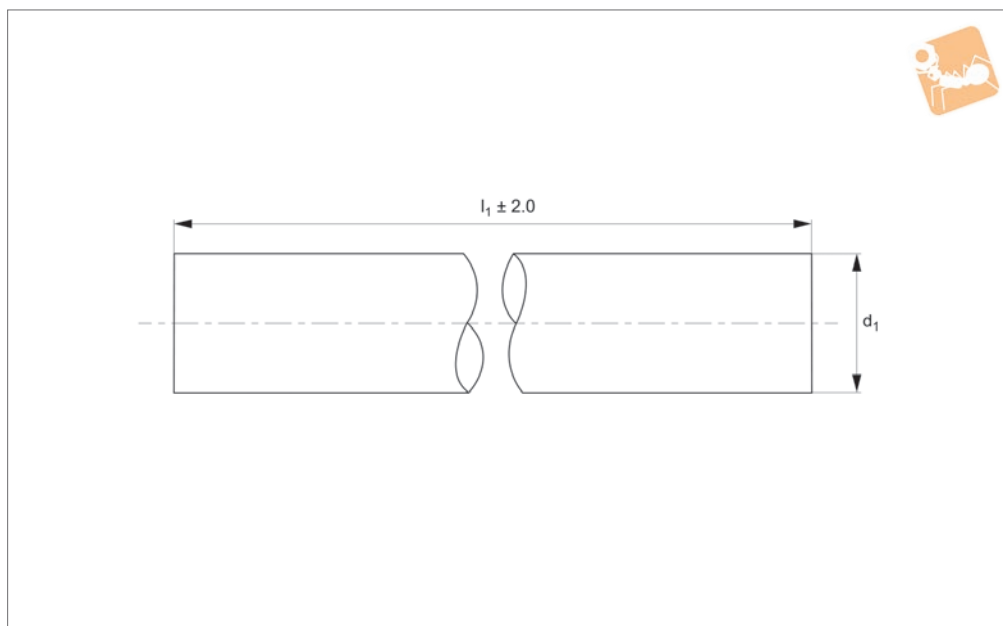


Order No.	d ₁ tol. h6	l ₁	Tolerance μ tol. h6
L1773.12-4950	12	4950	0.6
L1773.12-5000	12	5000	0.6
L1773.12-5050	12	5050	0.6
L1773.12-5100	12	5100	0.6
L1773.12-5150	12	5150	0.6
L1773.12-5200	12	5200	0.6
L1773.12-5250	12	5250	0.6
L1773.12-5300	12	5300	0.6
L1773.12-5350	12	5350	0.6
L1773.12-5400	12	5400	0.6
L1773.12-5450	12	5450	0.6
L1773.12-5500	12	5500	0.6
L1773.12-5550	12	5550	0.6
L1773.12-5600	12	5600	0.6
L1773.12-5650	12	5650	0.6
L1773.12-5700	12	5700	0.6
L1773.12-5750	12	5750	0.6
L1773.12-5800	12	5800	0.6
L1773.12-5850	12	5850	0.6
L1773.12-5900	12	5900	0.6
L1773.12-5950	12	5950	0.6
L1773.12-6000	12	6000	0.6

LINEAR SHAFT BARS



L1773.16



Material

Stainless steel AISI 303 (1.4305, X10CrNiS18-19), surface finish 0.3-0.6 μ Ra, ground and polished to 8-12 cla. Yield stress: >510 N/mm², tensile strength: >720 N/mm².

Technical Notes

Tolerance, h6 standard, other tolerances

on request.
Straightness 0,2mm/m.

Tips

Modifications, drilled and tapped holes, circlip grooves, special coatings etc. available.
Shafts lengths are cut to typically ± 2 mm.
To be used with ceramic or other bearings

not containing hardened ball bearings.

Order No.	d_1 tol. h6	l_1	Tolerance μ tol. h6
L1773.16-0100	16	100	0.6
L1773.16-0150	16	150	0.6
L1773.16-0200	16	200	0.6
L1773.16-0250	16	250	0.6
L1773.16-0300	16	300	0.6
L1773.16-0350	16	350	0.6
L1773.16-0400	16	400	0.6
L1773.16-0450	16	450	0.6
L1773.16-0500	16	500	0.6
L1773.16-0550	16	550	0.6
L1773.16-0600	16	600	0.6
L1773.16-0650	16	650	0.6
L1773.16-0700	16	700	0.6
L1773.16-0750	16	750	0.6
L1773.16-0800	16	800	0.6
L1773.16-0850	16	850	0.6
L1773.16-0900	16	900	0.6
L1773.16-0950	16	950	0.6
L1773.16-1000	16	1000	0.6
L1773.16-1050	16	1050	0.6
L1773.16-1100	16	1100	0.6
L1773.16-1150	16	1150	0.6
L1773.16-1200	16	1200	0.6
L1773.16-1250	16	1250	0.6
L1773.16-1300	16	1300	0.6
L1773.16-1350	16	1350	0.6
L1773.16-1400	16	1400	0.6
L1773.16-1450	16	1450	0.6
L1773.16-1500	16	1500	0.6



Ø16 Stainless AISI 303 Shafts

soft

Linear Shaft
Bars

Order No.	d ₁ tol. h6	l ₁	Tolerance μ tol. h6
L1773.16-1550	16	1550	0.6
L1773.16-1600	16	1600	0.6
L1773.16-1650	16	1650	0.6
L1773.16-1700	16	1700	0.6
L1773.16-1750	16	1750	0.6
L1773.16-1800	16	1800	0.6
L1773.16-1850	16	1850	0.6
L1773.16-1900	16	1900	0.6
L1773.16-1950	16	1950	0.6
L1773.16-2000	16	2000	0.6
L1773.16-2050	16	2050	0.6
L1773.16-2100	16	2100	0.6
L1773.16-2150	16	2150	0.6
L1773.16-2200	16	2200	0.6
L1773.16-2250	16	2250	0.6
L1773.16-2300	16	2300	0.6
L1773.16-2350	16	2350	0.6
L1773.16-2400	16	2400	0.6
L1773.16-2450	16	2450	0.6
L1773.16-2500	16	2500	0.6
L1773.16-2550	16	2550	0.6
L1773.16-2600	16	2600	0.6
L1773.16-2650	16	2650	0.6
L1773.16-2700	16	2700	0.6
L1773.16-2750	16	2750	0.6
L1773.16-2800	16	2800	0.6
L1773.16-2850	16	2850	0.6
L1773.16-2900	16	2900	0.6
L1773.16-2950	16	2950	0.6
L1773.16-3000	16	3000	0.6
L1773.16-3050	16	3050	0.6
L1773.16-3100	16	3100	0.6
L1773.16-3150	16	3150	0.6
L1773.16-3200	16	3200	0.6
L1773.16-3250	16	3250	0.6
L1773.16-3300	16	3300	0.6
L1773.16-3350	16	3350	0.6
L1773.16-3400	16	3400	0.6
L1773.16-3450	16	3450	0.6
L1773.16-3500	16	3500	0.6
L1773.16-3550	16	3550	0.6
L1773.16-3600	16	3600	0.6
L1773.16-3650	16	3650	0.6
L1773.16-3700	16	3700	0.6
L1773.16-3750	16	3750	0.6
L1773.16-3800	16	3800	0.6
L1773.16-3850	16	3850	0.6
L1773.16-3900	16	3900	0.6
L1773.16-3950	16	3950	0.6
L1773.16-4000	16	4000	0.6
L1773.16-4050	16	4050	0.6
L1773.16-4100	16	4100	0.6
L1773.16-4150	16	4150	0.6
L1773.16-4200	16	4200	0.6
L1773.16-4250	16	4250	0.6
L1773.16-4300	16	4300	0.6
L1773.16-4350	16	4350	0.6
L1773.16-4400	16	4400	0.6
L1773.16-4450	16	4450	0.6
L1773.16-4500	16	4500	0.6
L1773.16-4550	16	4550	0.6
L1773.16-4600	16	4600	0.6
L1773.16-4650	16	4650	0.6
L1773.16-4700	16	4700	0.6
L1773.16-4750	16	4750	0.6
L1773.16-4800	16	4800	0.6
L1773.16-4850	16	4850	0.6
L1773.16-4900	16	4900	0.6

LINEAR SHAFT BARS



Order No.	d ₁ tol. h6	l ₁	Tolerance μ tol. h6
L1773.16-4950	16	4950	0.6
L1773.16-5000	16	5000	0.6
L1773.16-5050	16	5050	0.6
L1773.16-5100	16	5100	0.6
L1773.16-5150	16	5150	0.6
L1773.16-5200	16	5200	0.6
L1773.16-5250	16	5250	0.6
L1773.16-5300	16	5300	0.6
L1773.16-5350	16	5350	0.6
L1773.16-5400	16	5400	0.6
L1773.16-5450	16	5450	0.6
L1773.16-5500	16	5500	0.6
L1773.16-5550	16	5550	0.6
L1773.16-5600	16	5600	0.6
L1773.16-5650	16	5650	0.6
L1773.16-5700	16	5700	0.6
L1773.16-5750	16	5750	0.6
L1773.16-5800	16	5800	0.6
L1773.16-5850	16	5850	0.6
L1773.16-5900	16	5900	0.6
L1773.16-5950	16	5950	0.6
L1773.16-6000	16	6000	0.6



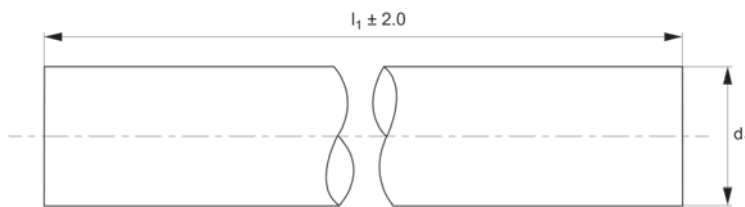
Ø20 Stainless AISI 303 Shafts

soft

Linear Shaft Bars



L1773.20



LINEAR SHAFT BARS

Material

Stainless steel AISI 303 (1.4305, X10CrNiS18-19), surface finish 0.3-0.6 μ Ra, ground and polished to 8-12 cla. Yield stress: >510 N/mm², tensile strength: >720 N/mm².

Technical Notes

Tolerance, h6 standard, other tolerances

on request.
Straightness 0,2mm/m.

Tips

Modifications, drilled and tapped holes, circlip grooves, special coatings etc. available.

Shafts lengths are cut to typically ± 2 mm.
To be used with ceramic or other bearings

not containing hardened ball bearings.

Order No.	d_1 tol. h6	l_1	Tolerance μ tol. h6
L1773.20-0100	20	100	+0,-13
L1773.20-0150	20	150	+0,-13
L1773.20-0200	20	200	+0,-13
L1773.20-0250	20	250	+0,-13
L1773.20-0300	20	300	+0,-13
L1773.20-0350	20	350	+0,-13
L1773.20-0400	20	400	+0,-13
L1773.20-0450	20	450	+0,-13
L1773.20-0500	20	500	+0,-13
L1773.20-0550	20	550	+0,-13
L1773.20-0600	20	600	+0,-13
L1773.20-0650	20	650	+0,-13
L1773.20-0700	20	700	+0,-13
L1773.20-0750	20	750	+0,-13
L1773.20-0800	20	800	+0,-13
L1773.20-0850	20	850	+0,-13
L1773.20-0900	20	900	+0,-13
L1773.20-0950	20	950	+0,-13
L1773.20-1000	20	1000	+0,-13
L1773.20-1050	20	1050	+0,-13
L1773.20-1100	20	1100	+0,-13
L1773.20-1150	20	1150	+0,-13
L1773.20-1200	20	1200	+0,-13
L1773.20-1250	20	1250	+0,-13
L1773.20-1300	20	1300	+0,-13
L1773.20-1350	20	1350	+0,-13
L1773.20-1400	20	1400	+0,-13
L1773.20-1450	20	1450	+0,-13
L1773.20-1500	20	1500	+0,-13



Order No.	d ₁ tol. h6	l ₁	Tolerance μ tol. h6
L1773.20-1550	20	1550	+0,-13
L1773.20-1600	20	1600	+0,-13
L1773.20-1650	20	1650	+0,-13
L1773.20-1700	20	1700	+0,-13
L1773.20-1750	20	1750	+0,-13
L1773.20-1800	20	1800	+0,-13
L1773.20-1850	20	1850	+0,-13
L1773.20-1900	20	1900	+0,-13
L1773.20-1950	20	1950	+0,-13
L1773.20-2000	20	2000	+0,-13
L1773.20-2050	20	2050	+0,-13
L1773.20-2100	20	2100	+0,-13
L1773.20-2150	20	2150	+0,-13
L1773.20-2200	20	2200	+0,-13
L1773.20-2250	20	2250	+0,-13
L1773.20-2300	20	2300	+0,-13
L1773.20-2350	20	2350	+0,-13
L1773.20-2400	20	2400	+0,-13
L1773.20-2450	20	2450	+0,-13
L1773.20-2500	20	2500	+0,-13
L1773.20-2550	20	2550	+0,-13
L1773.20-2600	20	2600	+0,-13
L1773.20-2650	20	2650	+0,-13
L1773.20-2700	20	2700	+0,-13
L1773.20-2750	20	2750	+0,-13
L1773.20-2800	20	2800	+0,-13
L1773.20-2850	20	2850	+0,-13
L1773.20-2900	20	2900	+0,-13
L1773.20-2950	20	2950	+0,-13
L1773.20-3000	20	3000	+0,-13
L1773.20-3050	20	3050	+0,-13
L1773.20-3100	20	3100	+0,-13
L1773.20-3150	20	3150	+0,-13
L1773.20-3200	20	3200	+0,-13
L1773.20-3250	20	3250	+0,-13
L1773.20-3300	20	3300	+0,-13
L1773.20-3350	20	3350	+0,-13
L1773.20-3400	20	3400	+0,-13
L1773.20-3450	20	3450	+0,-13
L1773.20-3500	20	3500	+0,-13
L1773.20-3550	20	3550	+0,-13
L1773.20-3600	20	3600	+0,-13
L1773.20-3650	20	3650	+0,-13
L1773.20-3700	20	3700	+0,-13
L1773.20-3750	20	3750	+0,-13
L1773.20-3800	20	3800	+0,-13
L1773.20-3850	20	3850	+0,-13
L1773.20-3900	20	3900	+0,-13
L1773.20-3950	20	3950	+0,-13
L1773.20-4000	20	4000	+0,-13
L1773.20-4050	20	4050	+0,-13
L1773.20-4100	20	4100	+0,-13
L1773.20-4150	20	4150	+0,-13
L1773.20-4200	20	4200	+0,-13
L1773.20-4250	20	4250	+0,-13
L1773.20-4300	20	4300	+0,-13
L1773.20-4350	20	4350	+0,-13
L1773.20-4400	20	4400	+0,-13
L1773.20-4450	20	4450	+0,-13
L1773.20-4500	20	4500	+0,-13
L1773.20-4550	20	4550	+0,-13
L1773.20-4600	20	4600	+0,-13
L1773.20-4650	20	4650	+0,-13
L1773.20-4700	20	4700	+0,-13
L1773.20-4750	20	4750	+0,-13
L1773.20-4800	20	4800	+0,-13
L1773.20-4850	20	4850	+0,-13
L1773.20-4900	20	4900	+0,-13



Ø20 Stainless AISI 303 Shafts

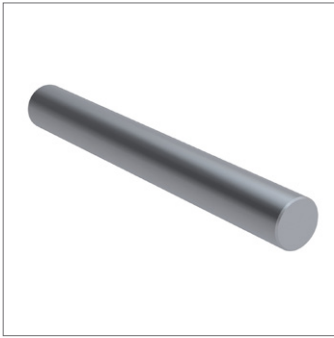
soft

Linear Shaft Bars

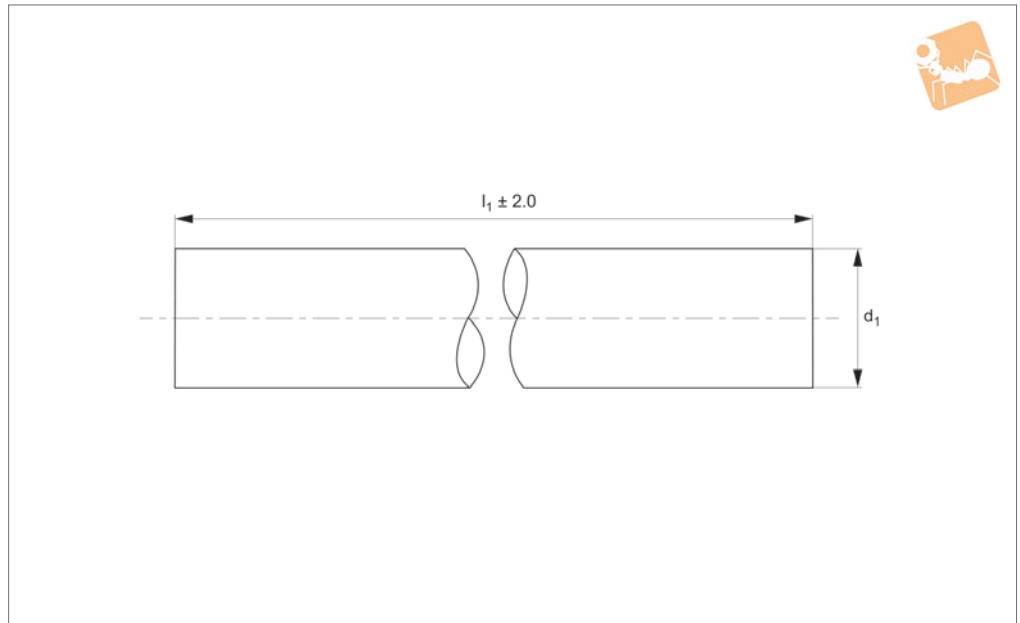


Order No.	d ₁ tol. h6	l ₁	Tolerance μ tol. h6
L1773.20-4950	20	4950	+0,-13
L1773.20-5000	20	5000	+0,-13
L1773.20-5050	20	5050	+0,-13
L1773.20-5100	20	5100	+0,-13
L1773.20-5150	20	5150	+0,-13
L1773.20-5200	20	5200	+0,-13
L1773.20-5250	20	5250	+0,-13
L1773.20-5300	20	5300	+0,-13
L1773.20-5350	20	5350	+0,-13
L1773.20-5400	20	5400	+0,-13
L1773.20-5450	20	5450	+0,-13
L1773.20-5500	20	5500	+0,-13
L1773.20-5550	20	5550	+0,-13
L1773.20-5600	20	5600	+0,-13
L1773.20-5650	20	5650	+0,-13
L1773.20-5700	20	5700	+0,-13
L1773.20-5750	20	5750	+0,-13
L1773.20-5800	20	5800	+0,-13
L1773.20-5850	20	5850	+0,-13
L1773.20-5900	20	5900	+0,-13
L1773.20-5950	20	5950	+0,-13
L1773.20-6000	20	6000	+0,-13

LINEAR SHAFT BARS



L1773.25



Material

Stainless steel AISI 303 (1.4305, X10CrNiS18-19), surface finish 0.3-0.6µ Ra, ground and polished to 8-12 cla. Yield stress: >510 N/mm², tensile strength: >720 N/mm².

Technical Notes

Tolerance, h6 standard, other tolerances

on request.
Straightness 0,1mm/m.

Tips

Modifications, drilled and tapped holes, circlip grooves, special coatings etc. available.

Shafts lengths are cut to typically ± 2mm.
To be used with ceramic or other bearings

not containing hardened ball bearings.

Order No.	d ₁ tol. h6	l ₁	Tolerance µ tol. h6
L1773.25-0100	25	100	+0,-13
L1773.25-0150	25	150	+0,-13
L1773.25-0200	25	200	+0,-13
L1773.25-0250	25	250	+0,-13
L1773.25-0300	25	300	+0,-13
L1773.25-0350	25	350	+0,-13
L1773.25-0400	25	400	+0,-13
L1773.25-0450	25	450	+0,-13
L1773.25-0500	25	500	+0,-13
L1773.25-0550	25	550	+0,-13
L1773.25-0600	25	600	+0,-13
L1773.25-0650	25	650	+0,-13
L1773.25-0700	25	700	+0,-13
L1773.25-0750	25	750	+0,-13
L1773.25-0800	25	800	+0,-13
L1773.25-0850	25	850	+0,-13
L1773.25-0900	25	900	+0,-13
L1773.25-0950	25	950	+0,-13
L1773.25-1000	25	1000	+0,-13
L1773.25-1050	25	1050	+0,-13
L1773.25-1100	25	1100	+0,-13
L1773.25-1150	25	1150	+0,-13
L1773.25-1200	25	1200	+0,-13
L1773.25-1250	25	1250	+0,-13
L1773.25-1300	25	1300	+0,-13
L1773.25-1350	25	1350	+0,-13
L1773.25-1400	25	1400	+0,-13
L1773.25-1450	25	1450	+0,-13
L1773.25-1500	25	1500	+0,-13



25Ø Stainless AISI 303 Shafts

soft

Linear Shaft Bars

Order No.	d ₁ tol. h6	l ₁	Tolerance μ tol. h6
L1773.25-1550	25	1550	+0,-13
L1773.25-1600	25	1600	+0,-13
L1773.25-1650	25	1650	+0,-13
L1773.25-1700	25	1700	+0,-13
L1773.25-1750	25	1750	+0,-13
L1773.25-1800	25	1800	+0,-13
L1773.25-1850	25	1850	+0,-13
L1773.25-1900	25	1900	+0,-13
L1773.25-1950	25	1950	+0,-13
L1773.25-2000	25	2000	+0,-13
L1773.25-2050	25	2050	+0,-13
L1773.25-2100	25	2100	+0,-13
L1773.25-2150	25	2150	+0,-13
L1773.25-2200	25	2200	+0,-13
L1773.25-2250	25	2250	+0,-13
L1773.25-2300	25	2300	+0,-13
L1773.25-2350	25	2350	+0,-13
L1773.25-2400	25	2400	+0,-13
L1773.25-2450	25	2450	+0,-13
L1773.25-2500	25	2500	+0,-13
L1773.25-2550	25	2550	+0,-13
L1773.25-2600	25	2600	+0,-13
L1773.25-2650	25	2650	+0,-13
L1773.25-2700	25	2700	+0,-13
L1773.25-2750	25	2750	+0,-13
L1773.25-2800	25	2800	+0,-13
L1773.25-2850	25	2850	+0,-13
L1773.25-2900	25	2900	+0,-13
L1773.25-2950	25	2950	+0,-13
L1773.25-3000	25	3000	+0,-13
L1773.25-3050	25	3050	+0,-13
L1773.25-3100	25	3100	+0,-13
L1773.25-3150	25	3150	+0,-13
L1773.25-3200	25	3200	+0,-13
L1773.25-3250	25	3250	+0,-13
L1773.25-3300	25	3300	+0,-13
L1773.25-3350	25	3350	+0,-13
L1773.25-3400	25	3400	+0,-13
L1773.25-3450	25	3450	+0,-13
L1773.25-3500	25	3500	+0,-13
L1773.25-3550	25	3550	+0,-13
L1773.25-3600	25	3600	+0,-13
L1773.25-3650	25	3650	+0,-13
L1773.25-3700	25	3700	+0,-13
L1773.25-3750	25	3750	+0,-13
L1773.25-3800	25	3800	+0,-13
L1773.25-3850	25	3850	+0,-13
L1773.25-3900	25	3900	+0,-13
L1773.25-3950	25	3950	+0,-13
L1773.25-4000	25	4000	+0,-13
L1773.25-4050	25	4050	+0,-13
L1773.25-4100	25	4100	+0,-13
L1773.25-4150	25	4150	+0,-13
L1773.25-4200	25	4200	+0,-13
L1773.25-4250	25	4250	+0,-13
L1773.25-4300	25	4300	+0,-13
L1773.25-4350	25	4350	+0,-13
L1773.25-4400	25	4400	+0,-13
L1773.25-4450	25	4450	+0,-13
L1773.25-4500	25	4500	+0,-13
L1773.25-4550	25	4550	+0,-13
L1773.25-4600	25	4600	+0,-13
L1773.25-4650	25	4650	+0,-13
L1773.25-4700	25	4700	+0,-13
L1773.25-4750	25	4750	+0,-13
L1773.25-4800	25	4800	+0,-13
L1773.25-4850	25	4850	+0,-13
L1773.25-4900	25	4900	+0,-13

LINEAR SHAFT BARS



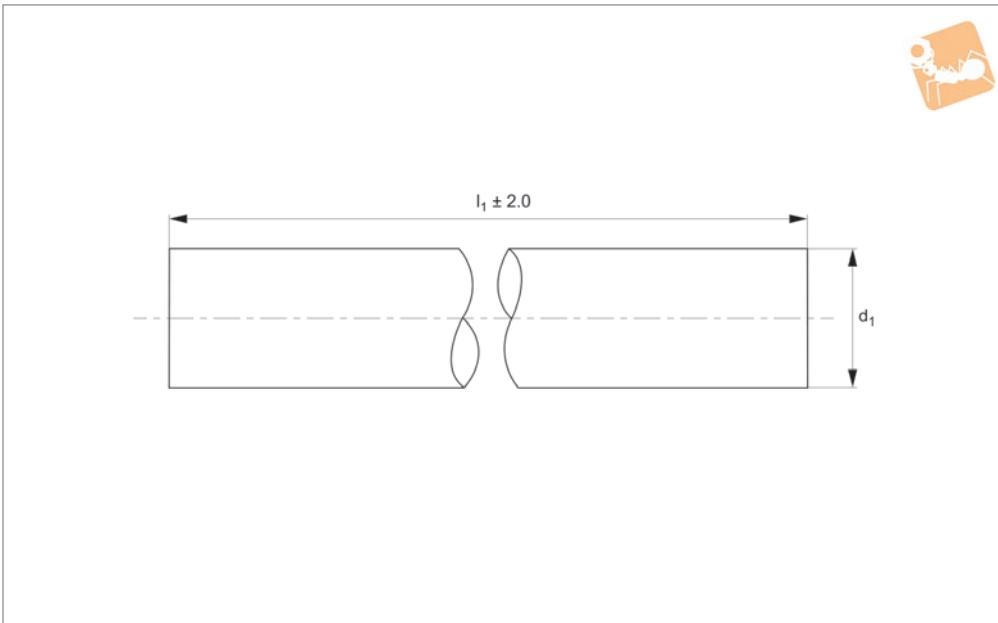
Order No.	d ₁ tol. h6	l ₁	Tolerance μ tol. h6
L1773.25-4950	25	4950	+0,-13
L1773.25-5000	25	5000	+0,-13
L1773.25-5050	25	5050	+0,-13
L1773.25-5100	25	5100	+0,-13
L1773.25-5150	25	5150	+0,-13
L1773.25-5200	25	5200	+0,-13
L1773.25-5250	25	5250	+0,-13
L1773.25-5300	25	5300	+0,-13
L1773.25-5350	25	5350	+0,-13
L1773.25-5400	25	5400	+0,-13
L1773.25-5450	25	5450	+0,-13
L1773.25-5500	25	5500	+0,-13
L1773.25-5550	25	5550	+0,-13
L1773.25-5600	25	5600	+0,-13
L1773.25-5650	25	5650	+0,-13
L1773.25-5700	25	5700	+0,-13
L1773.25-5750	25	5750	+0,-13
L1773.25-5800	25	5800	+0,-13
L1773.25-5850	25	5850	+0,-13
L1773.25-5900	25	5900	+0,-13
L1773.25-5950	25	5950	+0,-13
L1773.25-6000	25	6000	+0,-13



30Ø Stainless AISI 303 Shafts

soft

Linear Shaft Bars



L1773.30

LINEAR SHAFT BARS

Material

Stainless steel AISI 303 (1.4305, X10CrNiS18-19), surface finish 0.3-0.6µ Ra, ground and polished to 8-12 cla. Yield stress: >510 N/mm², tensile strength: >720 N/mm².

Technical Notes

Tolerance, h6 standard, other tolerances

on request.
Straightness 0,1mm/m.

Tips

Modifications, drilled and tapped holes, circlip grooves, special coatings etc. available.

Shafts lengths are cut to typically ± 2mm.
To be used with ceramic or other bearings

not containing hardened ball bearings.

Order No.	d ₁	l ₁	Tolerance µ tol. h6
L1773.30-0100	30	100	+0,-13
L1773.30-0150	30	150	+0,-13
L1773.30-0200	30	200	+0,-13
L1773.30-0250	30	250	+0,-13
L1773.30-0300	30	300	+0,-13
L1773.30-0350	30	350	+0,-13
L1773.30-0400	30	400	+0,-13
L1773.30-0450	30	450	+0,-13
L1773.30-0500	30	500	+0,-13
L1773.30-0550	30	550	+0,-13
L1773.30-0600	30	600	+0,-13
L1773.30-0650	30	650	+0,-13
L1773.30-0700	30	700	+0,-13
L1773.30-0750	30	750	+0,-13
L1773.30-0800	30	800	+0,-13
L1773.30-0850	30	850	+0,-13
L1773.30-0900	30	900	+0,-13
L1773.30-0950	30	950	+0,-13
L1773.30-1000	30	1000	+0,-13
L1773.30-1050	30	1050	+0,-13
L1773.30-1100	30	1100	+0,-13
L1773.30-1150	30	1150	+0,-13
L1773.30-1200	30	1200	+0,-13
L1773.30-1250	30	1250	+0,-13
L1773.30-1300	30	1300	+0,-13
L1773.30-1350	30	1350	+0,-13
L1773.30-1400	30	1400	+0,-13
L1773.30-1450	30	1450	+0,-13
L1773.30-1500	30	1500	+0,-13



Order No.	d ₁	l ₁	Tolerance μ tol. h6
L1773.30-1550	30	1550	+0,-13
L1773.30-1600	30	1600	+0,-13
L1773.30-1650	30	1650	+0,-13
L1773.30-1700	30	1700	+0,-13
L1773.30-1750	30	1750	+0,-13
L1773.30-1800	30	1800	+0,-13
L1773.30-1850	30	1850	+0,-13
L1773.30-1900	30	1900	+0,-13
L1773.30-1950	30	1950	+0,-13
L1773.30-2000	30	2000	+0,-13
L1773.30-2050	30	2050	+0,-13
L1773.30-2100	30	2100	+0,-13
L1773.30-2150	30	2150	+0,-13
L1773.30-2200	30	2200	+0,-13
L1773.30-2250	30	2250	+0,-13
L1773.30-2300	30	2300	+0,-13
L1773.30-2350	30	2350	+0,-13
L1773.30-2400	30	2400	+0,-13
L1773.30-2450	30	2450	+0,-13
L1773.30-2500	30	2500	+0,-13
L1773.30-2550	30	2550	+0,-13
L1773.30-2600	30	2600	+0,-13
L1773.30-2650	30	2650	+0,-13
L1773.30-2700	30	2700	+0,-13
L1773.30-2750	30	2750	+0,-13
L1773.30-2800	30	2800	+0,-13
L1773.30-2850	30	2850	+0,-13
L1773.30-2900	30	2900	+0,-13
L1773.30-2950	30	2950	+0,-13
L1773.30-3000	30	3000	+0,-13
L1773.30-3050	30	3050	+0,-13
L1773.30-3100	30	3100	+0,-13
L1773.30-3150	30	3150	+0,-13
L1773.30-3200	30	3200	+0,-13
L1773.30-3250	30	3250	+0,-13
L1773.30-3300	30	3300	+0,-13
L1773.30-3350	30	3350	+0,-13
L1773.30-3400	30	3400	+0,-13
L1773.30-3450	30	3450	+0,-13
L1773.30-3500	30	3500	+0,-13
L1773.30-3550	30	3550	+0,-13
L1773.30-3600	30	3600	+0,-13
L1773.30-3650	30	3650	+0,-13
L1773.30-3700	30	3700	+0,-13
L1773.30-3750	30	3750	+0,-13
L1773.30-3800	30	3800	+0,-13
L1773.30-3850	30	3850	+0,-13
L1773.30-3900	30	3900	+0,-13
L1773.30-3950	30	3950	+0,-13
L1773.30-4000	30	4000	+0,-13
L1773.30-4050	30	4050	+0,-13
L1773.30-4100	30	4100	+0,-13
L1773.30-4150	30	4150	+0,-13
L1773.30-4200	30	4200	+0,-13
L1773.30-4250	30	4250	+0,-13
L1773.30-4300	30	4300	+0,-13
L1773.30-4350	30	4350	+0,-13
L1773.30-4400	30	4400	+0,-13
L1773.30-4450	30	4450	+0,-13
L1773.30-4500	30	4500	+0,-13
L1773.30-4550	30	4550	+0,-13
L1773.30-4600	30	4600	+0,-13
L1773.30-4650	30	4650	+0,-13
L1773.30-4700	30	4700	+0,-13
L1773.30-4750	30	4750	+0,-13
L1773.30-4800	30	4800	+0,-13
L1773.30-4850	30	4850	+0,-13
L1773.30-4900	30	4900	+0,-13



30Ø Stainless AISI 303 Shafts

soft

Linear Shaft Bars

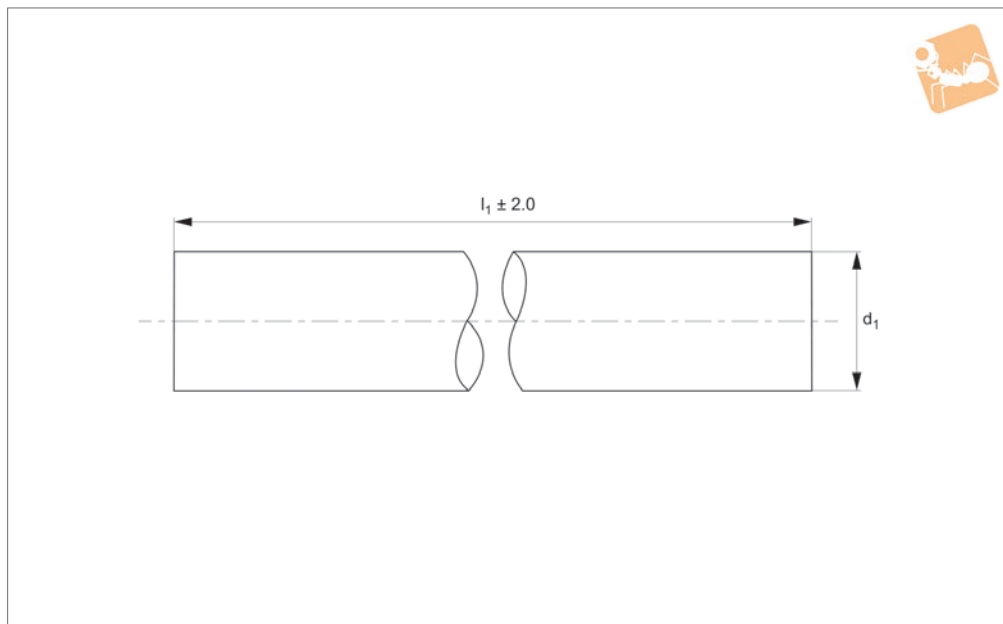


Order No.	d ₁	l ₁	Tolerance μ tol. h6
L1773.30-4950	30	4950	+0,-13
L1773.30-5000	30	5000	+0,-13
L1773.30-5050	30	5050	+0,-13
L1773.30-5100	30	5100	+0,-13
L1773.30-5150	30	5150	+0,-13
L1773.30-5200	30	5200	+0,-13
L1773.30-5250	30	5250	+0,-13
L1773.30-5300	30	5300	+0,-13
L1773.30-5350	30	5350	+0,-13
L1773.30-5400	30	5400	+0,-13
L1773.30-5450	30	5450	+0,-13
L1773.30-5500	30	5500	+0,-13
L1773.30-5550	30	5550	+0,-13
L1773.30-5600	30	5600	+0,-13
L1773.30-5650	30	5650	+0,-13
L1773.30-5700	30	5700	+0,-13
L1773.30-5750	30	5750	+0,-13
L1773.30-5800	30	5800	+0,-13
L1773.30-5850	30	5850	+0,-13
L1773.30-5900	30	5900	+0,-13
L1773.30-5950	30	5950	+0,-13
L1773.30-6000	30	6000	+0,-13

LINEAR SHAFT BARS



L1773.40



Material

Stainless steel AISI 303 (1.4305, X10CrNiS18-19), surface finish 0.3-0.6µ Ra, ground and polished to 8-12 cla. Yield stress: >510 N/mm², tensile strength: >720 N/mm².

Technical Notes

Tolerance, h6 standard, other tolerances

on request.
Straightness 0,1mm/m.

Tips

Modifications, drilled and tapped holes, circlip grooves, special coatings etc. available.
Shafts lengths are cut to typically ± 2mm.
To be used with ceramic or other bearings

not containing hardened ball bearings.

Order No.	d ₁ tol. h6	l ₁	Tolerance µ tol. h6
L1773.40-0100	40	100	+0,-16
L1773.40-0150	40	150	+0,-16
L1773.40-0200	40	200	+0,-16
L1773.40-0250	40	250	+0,-16
L1773.40-0300	40	300	+0,-16
L1773.40-0350	40	350	+0,-16
L1773.40-0400	40	400	+0,-16
L1773.40-0450	40	450	+0,-16
L1773.40-0500	40	500	+0,-16
L1773.40-0550	40	550	+0,-16
L1773.40-0600	40	600	+0,-16
L1773.40-0650	40	650	+0,-16
L1773.40-0700	40	700	+0,-16
L1773.40-0750	40	750	+0,-16
L1773.40-0800	40	800	+0,-16
L1773.40-0850	40	850	+0,-16
L1773.40-0900	40	900	+0,-16
L1773.40-0950	40	950	+0,-16
L1773.40-1000	40	1000	+0,-16
L1773.40-1050	40	1050	+0,-16
L1773.40-1100	40	1100	+0,-16
L1773.40-1150	40	1150	+0,-16
L1773.40-1200	40	1200	+0,-16
L1773.40-1250	40	1250	+0,-16
L1773.40-1300	40	1300	+0,-16
L1773.40-1350	40	1350	+0,-16
L1773.40-1400	40	1400	+0,-16
L1773.40-1450	40	1450	+0,-16
L1773.40-1500	40	1500	+0,-16



40Ø Stainless AISI 303 Shafts

soft

Linear Shaft Bars

Order No.	d ₁ tol. h6	l ₁	Tolerance μ tol. h6
L1773.40-1550	40	1550	+0,-16
L1773.40-1600	40	1600	+0,-16
L1773.40-1650	40	1650	+0,-16
L1773.40-1700	40	1700	+0,-16
L1773.40-1750	40	1750	+0,-16
L1773.40-1800	40	1800	+0,-16
L1773.40-1850	40	1850	+0,-16
L1773.40-1900	40	1900	+0,-16
L1773.40-1950	40	1950	+0,-16
L1773.40-2000	40	2000	+0,-16
L1773.40-2050	40	2050	+0,-16
L1773.40-2100	40	2100	+0,-16
L1773.40-2150	40	2150	+0,-16
L1773.40-2200	40	2200	+0,-16
L1773.40-2250	40	2250	+0,-16
L1773.40-2300	40	2300	+0,-16
L1773.40-2350	40	2350	+0,-16
L1773.40-2400	40	2400	+0,-16
L1773.40-2450	40	2450	+0,-16
L1773.40-2500	40	2500	+0,-16
L1773.40-2550	40	2550	+0,-16
L1773.40-2600	40	2600	+0,-16
L1773.40-2650	40	2650	+0,-16
L1773.40-2700	40	2700	+0,-16
L1773.40-2750	40	2750	+0,-16
L1773.40-2800	40	2800	+0,-16
L1773.40-2850	40	2850	+0,-16
L1773.40-2900	40	2900	+0,-16
L1773.40-2950	40	2950	+0,-16
L1773.40-3000	40	3000	+0,-16
L1773.40-3050	40	3050	+0,-16
L1773.40-3100	40	3100	+0,-16
L1773.40-3150	40	3150	+0,-16
L1773.40-3200	40	3200	+0,-16
L1773.40-3250	40	3250	+0,-16
L1773.40-3300	40	3300	+0,-16
L1773.40-3350	40	3350	+0,-16
L1773.40-3400	40	3400	+0,-16
L1773.40-3450	40	3450	+0,-16
L1773.40-3500	40	3500	+0,-16
L1773.40-3550	40	3550	+0,-16
L1773.40-3600	40	3600	+0,-16
L1773.40-3650	40	3650	+0,-16
L1773.40-3700	40	3700	+0,-16
L1773.40-3750	40	3750	+0,-16
L1773.40-3800	40	3800	+0,-16
L1773.40-3850	40	3850	+0,-16
L1773.40-3900	40	3900	+0,-16
L1773.40-3950	40	3950	+0,-16
L1773.40-4000	40	4000	+0,-16
L1773.40-4050	40	4050	+0,-16
L1773.40-4100	40	4100	+0,-16
L1773.40-4150	40	4150	+0,-16
L1773.40-4200	40	4200	+0,-16
L1773.40-4250	40	4250	+0,-16
L1773.40-4300	40	4300	+0,-16
L1773.40-4350	40	4350	+0,-16
L1773.40-4400	40	4400	+0,-16
L1773.40-4450	40	4450	+0,-16
L1773.40-4500	40	4500	+0,-16
L1773.40-4550	40	4550	+0,-16
L1773.40-4600	40	4600	+0,-16
L1773.40-4650	40	4650	+0,-16
L1773.40-4700	40	4700	+0,-16
L1773.40-4750	40	4750	+0,-16
L1773.40-4800	40	4800	+0,-16
L1773.40-4850	40	4850	+0,-16
L1773.40-4900	40	4900	+0,-16

LINEAR SHAFT BARS



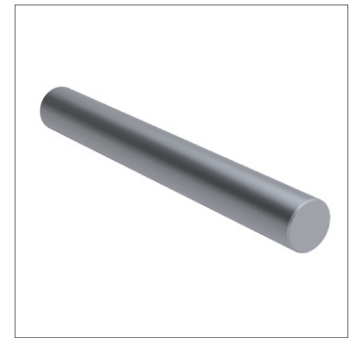
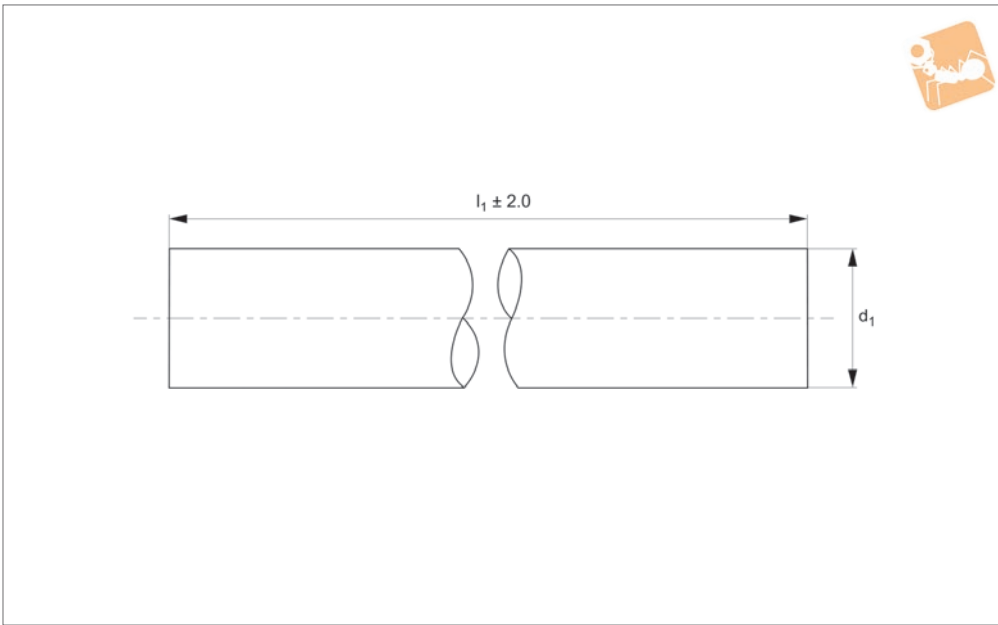
Order No.	d ₁ tol. h6	l ₁	Tolerance μ tol. h6
L1773.40-4950	40	4950	+0,-16
L1773.40-5000	40	5000	+0,-16
L1773.40-5050	40	5050	+0,-16
L1773.40-5100	40	5100	+0,-16
L1773.40-5150	40	5150	+0,-16
L1773.40-5200	40	5200	+0,-16
L1773.40-5250	40	5250	+0,-16
L1773.40-5300	40	5300	+0,-16
L1773.40-5350	40	5350	+0,-16
L1773.40-5400	40	5400	+0,-16
L1773.40-5450	40	5450	+0,-16
L1773.40-5500	40	5500	+0,-16
L1773.40-5550	40	5550	+0,-16
L1773.40-5600	40	5600	+0,-16
L1773.40-5650	40	5650	+0,-16
L1773.40-5700	40	5700	+0,-16
L1773.40-5750	40	5750	+0,-16
L1773.40-5800	40	5800	+0,-16
L1773.40-5850	40	5850	+0,-16
L1773.40-5900	40	5900	+0,-16
L1773.40-5950	40	5950	+0,-16
L1773.40-6000	40	6000	+0,-16



50Ø Stainless AISI 303 Shafts

soft

Linear Shaft
Bars



L1773.50

LINEAR SHAFT BARS

Material

Stainless steel AISI 303 (1.4305, X10CrNiS18-19), surface finish 0.3-0.6µ Ra, ground and polished to 8-12 cla. Yield stress: >510 N/mm², tensile strength: >720 N/mm².

Technical Notes

Tolerance, h6 standard, other tolerances

on request.
Straightness 0,1mm/m.

Tips

Modifications, drilled and tapped holes, circlip grooves, special coatings etc. available.

Shafts lengths are cut to typically ± 2mm.
To be used with ceramic or other bearings

not containing hardened ball bearings.

Order No.	d ₁ tol. h6	l ₁	Tolerance µ tol. h6
L1773.50-0100	50	100	+0,-16
L1773.50-0150	50	150	+0,-16
L1773.50-0200	50	200	+0,-16
L1773.50-0250	50	250	+0,-16
L1773.50-0300	50	300	+0,-16
L1773.50-0350	50	350	+0,-16
L1773.50-0400	50	400	+0,-16
L1773.50-0450	50	450	+0,-16
L1773.50-0500	50	500	+0,-16
L1773.50-0550	50	550	+0,-16
L1773.50-0600	50	600	+0,-16
L1773.50-0650	50	650	+0,-16
L1773.50-0700	50	700	+0,-16
L1773.50-0750	50	750	+0,-16
L1773.50-0800	50	800	+0,-16
L1773.50-0850	50	850	+0,-16
L1773.50-0900	50	900	+0,-16
L1773.50-1000	50	1000	+0,-16
L1773.50-1050	50	1050	+0,-16
L1773.50-1100	50	1100	+0,-16
L1773.50-1150	50	1150	+0,-16
L1773.50-1200	50	1200	+0,-16
L1773.50-1250	50	1250	+0,-16
L1773.50-1300	50	1300	+0,-16
L1773.50-1350	50	1350	+0,-16
L1773.50-1400	50	1400	+0,-16
L1773.50-1450	50	1450	+0,-16
L1773.50-1500	50	1500	+0,-16
L1773.50-1550	50	1550	+0,-16



Order No.	d ₁ tol. h6	l ₁	Tolerance μ tol. h6
L1773.50-1600	50	1600	+0,-16
L1773.50-1650	50	1650	+0,-16
L1773.50-1700	50	1700	+0,-16
L1773.50-1750	50	1750	+0,-16
L1773.50-1800	50	1800	+0,-16
L1773.50-1850	50	1850	+0,-16
L1773.50-1900	50	1900	+0,-16
L1773.50-1950	50	1950	+0,-16
L1773.50-2000	50	2000	+0,-16
L1773.50-2050	50	2050	+0,-16
L1773.50-2100	50	2100	+0,-16
L1773.50-2150	50	2150	+0,-16
L1773.50-2200	50	2200	+0,-16
L1773.50-2250	50	2250	+0,-16
L1773.50-2300	50	2300	+0,-16
L1773.50-2350	50	2350	+0,-16
L1773.50-2400	50	2400	+0,-16
L1773.50-2450	50	2450	+0,-16
L1773.50-2500	50	2500	+0,-16
L1773.50-2550	50	2550	+0,-16
L1773.50-2600	50	2600	+0,-16
L1773.50-2650	50	2650	+0,-16
L1773.50-2700	50	2700	+0,-16
L1773.50-2750	50	2750	+0,-16
L1773.50-2800	50	2800	+0,-16
L1773.50-2850	50	2850	+0,-16
L1773.50-2900	50	2900	+0,-16
L1773.50-2950	50	2950	+0,-16
L1773.50-3000	50	3000	+0,-16
L1773.50-3050	50	3050	+0,-16
L1773.50-3100	50	3100	+0,-16
L1773.50-3150	50	3150	+0,-16
L1773.50-3200	50	3200	+0,-16
L1773.50-3250	50	3250	+0,-16
L1773.50-3300	50	3300	+0,-16
L1773.50-3350	50	3350	+0,-16
L1773.50-3400	50	3400	+0,-16
L1773.50-3450	50	3450	+0,-16
L1773.50-3500	50	3500	+0,-16
L1773.50-3550	50	3550	+0,-16
L1773.50-3600	50	3600	+0,-16
L1773.50-3650	50	3650	+0,-16
L1773.50-3700	50	3700	+0,-16
L1773.50-3750	50	3750	+0,-16
L1773.50-3800	50	3800	+0,-16
L1773.50-3850	50	3850	+0,-16
L1773.50-3900	50	3900	+0,-16
L1773.50-3950	50	3950	+0,-16
L1773.50-4000	50	4000	+0,-16
L1773.50-4050	50	4050	+0,-16
L1773.50-4100	50	4100	+0,-16
L1773.50-4150	50	4150	+0,-16
L1773.50-4200	50	4200	+0,-16
L1773.50-4250	50	4250	+0,-16
L1773.50-4300	50	4300	+0,-16
L1773.50-4350	50	4350	+0,-16
L1773.50-4400	50	4400	+0,-16
L1773.50-4450	50	4450	+0,-16
L1773.50-4500	50	4500	+0,-16
L1773.50-4550	50	4550	+0,-16
L1773.50-4600	50	4600	+0,-16
L1773.50-4650	50	4650	+0,-16
L1773.50-4700	50	4700	+0,-16
L1773.50-4750	50	4750	+0,-16
L1773.50-4800	50	4800	+0,-16
L1773.50-4850	50	4850	+0,-16
L1773.50-4900	50	4900	+0,-16
L1773.50-4950	50	4950	+0,-16



50Ø Stainless AISI 303 Shafts

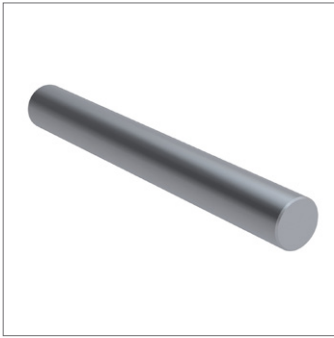
soft

Linear Shaft Bars

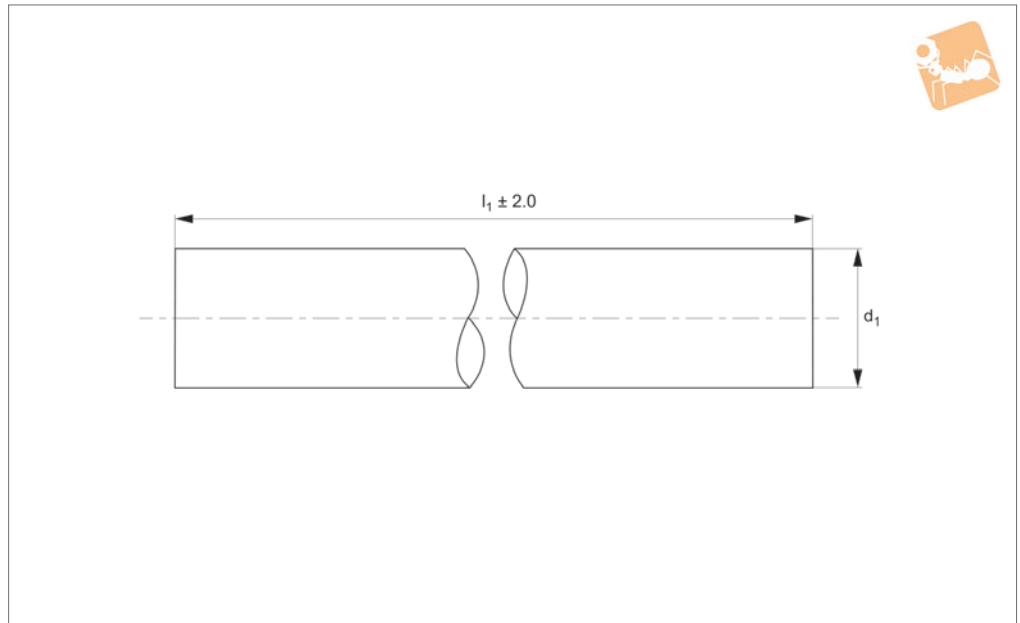


Order No.	d_1 tol. h6	l_1	Tolerance μ tol. h6
L1773.50-5000	50	5000	+0,-16
L1773.50-5050	50	5050	+0,-16
L1773.50-5100	50	5100	+0,-16
L1773.50-5150	50	5150	+0,-16
L1773.50-5200	50	5200	+0,-16
L1773.50-5250	50	5250	+0,-16
L1773.50-5300	50	5300	+0,-16
L1773.50-5350	50	5350	+0,-16
L1773.50-5400	50	5400	+0,-16
L1773.50-5450	50	5450	+0,-16
L1773.50-5500	50	5500	+0,-16
L1773.50-5550	50	5550	+0,-16
L1773.50-5600	50	5600	+0,-16
L1773.50-5650	50	5650	+0,-16
L1773.50-5700	50	5700	+0,-16
L1773.50-5750	50	5750	+0,-16
L1773.50-5800	50	5800	+0,-16
L1773.50-5850	50	5850	+0,-16
L1773.50-5900	50	5900	+0,-16
L1773.50-5950	50	5950	+0,-16
L1773.50-6000	50	6000	+0,-16

LINEAR SHAFT BARS



L1773.60



Material

Stainless steel AISI 303 (1.4305, X10CrNiS18-19), surface finish 0.3-0.6µ Ra, ground and polished to 8-12 cla. Yield stress: >510 N/mm², tensile strength: >720 N/mm².

Technical Notes

Tolerance, h6 standard, other tolerances

on request.
Straightness 0,1mm/m.

Tips

Modifications, drilled and tapped holes, circlip grooves, special coatings etc. available.

Shafts lengths are cut to typically ± 2mm.
To be used with ceramic or other bearings

not containing hardened ball bearings.

Order No.	d ₁ tol. h6	l ₁	Tolerance µ tol. h6
L1773.60-0100	60	100	+0,-19
L1773.60-0150	60	150	+0,-19
L1773.60-0200	60	200	+0,-19
L1773.60-0250	60	250	+0,-19
L1773.60-0300	60	300	+0,-19
L1773.60-0350	60	350	+0,-19
L1773.60-0400	60	400	+0,-19
L1773.60-0450	60	450	+0,-19
L1773.60-0500	60	500	+0,-19
L1773.60-0550	60	550	+0,-19
L1773.60-0600	60	600	+0,-19
L1773.60-0650	60	650	+0,-19
L1773.60-0700	60	700	+0,-19
L1773.60-0750	60	750	+0,-19
L1773.60-0800	60	800	+0,-19
L1773.60-0850	60	850	+0,-19
L1773.60-0900	60	900	+0,-19
L1773.60-0950	60	950	+0,-19
L1773.60-1000	60	1000	+0,-19
L1773.60-1050	60	1050	+0,-19
L1773.60-1100	60	1100	+0,-19
L1773.60-1150	60	1150	+0,-19
L1773.60-1200	60	1200	+0,-19
L1773.60-1250	60	1250	+0,-19
L1773.60-1300	60	1300	+0,-19
L1773.60-1350	60	1350	+0,-19
L1773.60-1400	60	1400	+0,-19
L1773.60-1450	60	1450	+0,-19
L1773.60-1500	60	1500	+0,-19



60Ø Stainless AISI 303 Shafts

soft

Linear Shaft Bars

Order No.	d ₁ tol. h6	l ₁	Tolerance μ tol. h6
L1773.60-1550	60	1550	+0,-19
L1773.60-1600	60	1600	+0,-19
L1773.60-1650	60	1650	+0,-19
L1773.60-1700	60	1700	+0,-19
L1773.60-1750	60	1750	+0,-19
L1773.60-1800	60	1800	+0,-19
L1773.60-1850	60	1850	+0,-19
L1773.60-1900	60	1900	+0,-19
L1773.60-1950	60	1950	+0,-19
L1773.60-2000	60	2000	+0,-19
L1773.60-2050	60	2050	+0,-19
L1773.60-2100	60	2100	+0,-19
L1773.60-2150	60	2150	+0,-19
L1773.60-2200	60	2200	+0,-19
L1773.60-2250	60	2250	+0,-19
L1773.60-2300	60	2300	+0,-19
L1773.60-2350	60	2350	+0,-19
L1773.60-2400	60	2400	+0,-19
L1773.60-2450	60	2450	+0,-19
L1773.60-2500	60	2500	+0,-19
L1773.60-2550	60	2550	+0,-19
L1773.60-2600	60	2600	+0,-19
L1773.60-2650	60	2650	+0,-19
L1773.60-2700	60	2700	+0,-19
L1773.60-2750	60	2750	+0,-19
L1773.60-2800	60	2800	+0,-19
L1773.60-2850	60	2850	+0,-19
L1773.60-2900	60	2900	+0,-19
L1773.60-2950	60	2950	+0,-19
L1773.60-3000	60	3000	+0,-19
L1773.60-3050	60	3050	+0,-19
L1773.60-3100	60	3100	+0,-19
L1773.60-3150	60	3150	+0,-19
L1773.60-3200	60	3200	+0,-19
L1773.60-3250	60	3250	+0,-19
L1773.60-3300	60	3300	+0,-19
L1773.60-3350	60	3350	+0,-19
L1773.60-3400	60	3400	+0,-19
L1773.60-3450	60	3450	+0,-19
L1773.60-3500	60	3500	+0,-19
L1773.60-3550	60	3550	+0,-19
L1773.60-3600	60	3600	+0,-19
L1773.60-3650	60	3650	+0,-19
L1773.60-3700	60	3700	+0,-19
L1773.60-3750	60	3750	+0,-19
L1773.60-3800	60	3800	+0,-19
L1773.60-3850	60	3850	+0,-19
L1773.60-3900	60	3900	+0,-19
L1773.60-3950	60	3950	+0,-19
L1773.60-4000	60	4000	+0,-19
L1773.60-4050	60	4050	+0,-19
L1773.60-4100	60	4100	+0,-19
L1773.60-4150	60	4150	+0,-19
L1773.60-4200	60	4200	+0,-19
L1773.60-4250	60	4250	+0,-19
L1773.60-4300	60	4300	+0,-19
L1773.60-4350	60	4350	+0,-19
L1773.60-4400	60	4400	+0,-19
L1773.60-4450	60	4450	+0,-19
L1773.60-4500	60	4500	+0,-19
L1773.60-4550	60	4550	+0,-19
L1773.60-4600	60	4600	+0,-19
L1773.60-4650	60	4650	+0,-19
L1773.60-4700	60	4700	+0,-19
L1773.60-4750	60	4750	+0,-19
L1773.60-4800	60	4800	+0,-19
L1773.60-4850	60	4850	+0,-19
L1773.60-4900	60	4900	+0,-19

LINEAR SHAFT BARS



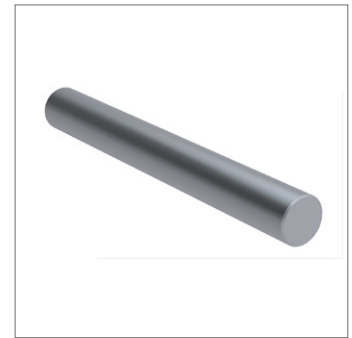
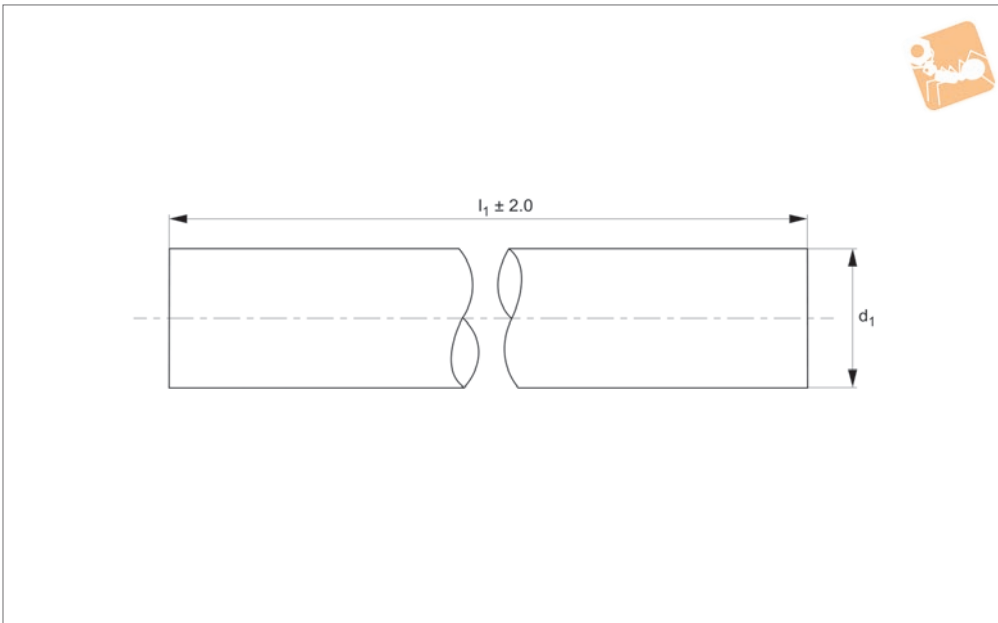
Order No.	d ₁ tol. h6	l ₁	Tolerance μ tol. h6
L1773.60-4950	60	4950	+0,-19
L1773.60-5000	60	5000	+0,-19
L1773.60-5050	60	5050	+0,-19
L1773.60-5100	60	5100	+0,-19
L1773.60-5150	60	5150	+0,-19
L1773.60-5200	60	5200	+0,-19
L1773.60-5250	60	5250	+0,-19
L1773.60-5300	60	5300	+0,-19
L1773.60-5350	60	5350	+0,-19
L1773.60-5400	60	5400	+0,-19
L1773.60-5450	60	5450	+0,-19
L1773.60-5500	60	5500	+0,-19
L1773.60-5550	60	5550	+0,-19
L1773.60-5600	60	5600	+0,-19
L1773.60-5650	60	5650	+0,-19
L1773.60-5700	60	5700	+0,-19
L1773.60-5750	60	5750	+0,-19
L1773.60-5800	60	5800	+0,-19
L1773.60-5850	60	5850	+0,-19
L1773.60-5900	60	5900	+0,-19
L1773.60-5950	60	5950	+0,-19
L1773.60-6000	60	6000	+0,-19



6Ø Stainless AISI 316 Shafts

soft

Linear Shaft Bars



L1774.06

LINEAR SHAFT BARS

Material

Stainless steel (AISI 316, A4). Surface finish 0.3-0.6µ Ra, ground and polished to 8-12 cla.

Yield stress: >205 N/mm², tensile strength: >515 N/mm².

Technical Notes

Tolerance, h6 standard, other tolerances

on request.

Straightness 0,1mm/m.

Tips

Modifications, drilled and tapped holes, circlip grooves, special coatings etc. available.

Shafts lengths are cut to typically ± 2mm. To be used with ceramic or other bearings

not containing hardened ball bearings.

Order No.	d ₁ tol. h6	l ₁	Tolerance µ tol. h6	Depth of hardness
L1774.06-0100	6	100	+0,-8	1.0
L1774.06-0150	6	150	+0,-8	1.0
L1774.06-0200	6	200	+0,-8	1.0
L1774.06-0250	6	250	+0,-8	1.0
L1774.06-0300	6	300	+0,-8	1.0
L1774.06-0350	6	350	+0,-8	1.0
L1774.06-0400	6	400	+0,-8	1.0
L1774.06-0450	6	450	+0,-8	1.0
L1774.06-0500	6	500	+0,-8	1.0
L1774.06-0550	6	550	+0,-8	1.0
L1774.06-0600	6	600	+0,-8	1.0
L1774.06-0650	6	650	+0,-8	1.0
L1774.06-0700	6	700	+0,-8	1.0
L1774.06-0750	6	750	+0,-8	1.0
L1774.06-0800	6	800	+0,-8	1.0
L1774.06-0850	6	850	+0,-8	1.0
L1774.06-0900	6	900	+0,-8	1.0
L1774.06-0950	6	950	+0,-8	1.0
L1774.06-1000	6	1000	+0,-8	1.0
L1774.06-1050	6	1050	+0,-8	1.0
L1774.06-1100	6	1100	+0,-8	1.0
L1774.06-1150	6	1150	+0,-8	1.0
L1774.06-1200	6	1200	+0,-8	1.0
L1774.06-1250	6	1250	+0,-8	1.0
L1774.06-1300	6	1300	+0,-8	1.0
L1774.06-1350	6	1350	+0,-8	1.0
L1774.06-1400	6	1400	+0,-8	1.0
L1774.06-1450	6	1450	+0,-8	1.0
L1774.06-1500	6	1500	+0,-8	1.0



Order No.	d ₁ tol. h6	l ₁	Tolerance μ tol. h6	Depth of hardness
L1774.06-1550	6	1550	+0,-8	1.0
L1774.06-1600	6	1600	+0,-8	1.0
L1774.06-1650	6	1650	+0,-8	1.0
L1774.06-1700	6	1700	+0,-8	1.0
L1774.06-1750	6	1750	+0,-8	1.0
L1774.06-1800	6	1800	+0,-8	1.0
L1774.06-1850	6	1850	+0,-8	1.0
L1774.06-1900	6	1900	+0,-8	1.0
L1774.06-1950	6	1950	+0,-8	1.0
L1774.06-2000	6	2000	+0,-8	1.0
L1774.06-2050	6	2050	+0,-8	1.0
L1774.06-2100	6	2100	+0,-8	1.0
L1774.06-2150	6	2150	+0,-8	1.0
L1774.06-2200	6	2200	+0,-8	1.0
L1774.06-2250	6	2250	+0,-8	1.0
L1774.06-2300	6	2300	+0,-8	1.0
L1774.06-2350	6	2350	+0,-8	1.0
L1774.06-2400	6	2400	+0,-8	1.0
L1774.06-2450	6	2450	+0,-8	1.0
L1774.06-2500	6	2500	+0,-8	1.0
L1774.06-2550	6	2550	+0,-8	1.0
L1774.06-2600	6	2600	+0,-8	1.0
L1774.06-2650	6	2650	+0,-8	1.0
L1774.06-2700	6	2700	+0,-8	1.0
L1774.06-2750	6	2750	+0,-8	1.0
L1774.06-2800	6	2800	+0,-8	1.0
L1774.06-2850	6	2850	+0,-8	1.0
L1774.06-2900	6	2900	+0,-8	1.0
L1774.06-2950	6	2950	+0,-8	1.0
L1774.06-3000	6	3000	+0,-8	1.0
L1774.06-3050	6	3050	+0,-8	1.0
L1774.06-3100	6	3100	+0,-8	1.0
L1774.06-3150	6	3150	+0,-8	1.0
L1774.06-3200	6	3200	+0,-8	1.0
L1774.06-3250	6	3250	+0,-8	1.0
L1774.06-3300	6	3300	+0,-8	1.0
L1774.06-3350	6	3350	+0,-8	1.0
L1774.06-3400	6	3400	+0,-8	1.0
L1774.06-3450	6	3450	+0,-8	1.0
L1774.06-3500	6	3500	+0,-8	1.0
L1774.06-3550	6	3550	+0,-8	1.0
L1774.06-3600	6	3600	+0,-8	1.0
L1774.06-3650	6	3650	+0,-8	1.0
L1774.06-3700	6	3700	+0,-8	1.0
L1774.06-3750	6	3750	+0,-8	1.0
L1774.06-3800	6	3800	+0,-8	1.0
L1774.06-3850	6	3850	+0,-8	1.0
L1774.06-3900	6	3900	+0,-8	1.0
L1774.06-3950	6	3950	+0,-8	1.0
L1774.06-4000	6	4000	+0,-8	1.0
L1774.06-4050	6	4050	+0,-8	1.0
L1774.06-4100	6	4100	+0,-8	1.0
L1774.06-4150	6	4150	+0,-8	1.0
L1774.06-4200	6	4200	+0,-8	1.0
L1774.06-4250	6	4250	+0,-8	1.0
L1774.06-4300	6	4300	+0,-8	1.0
L1774.06-4350	6	4350	+0,-8	1.0
L1774.06-4400	6	4400	+0,-8	1.0
L1774.06-4450	6	4450	+0,-8	1.0
L1774.06-4500	6	4500	+0,-8	1.0
L1774.06-4550	6	4550	+0,-8	1.0
L1774.06-4600	6	4600	+0,-8	1.0
L1774.06-4650	6	4650	+0,-8	1.0
L1774.06-4700	6	4700	+0,-8	1.0
L1774.06-4750	6	4750	+0,-8	1.0
L1774.06-4800	6	4800	+0,-8	1.0
L1774.06-4850	6	4850	+0,-8	1.0
L1774.06-4900	6	4900	+0,-8	1.0



6Ø Stainless AISI 316 Shafts

soft

Linear Shaft Bars

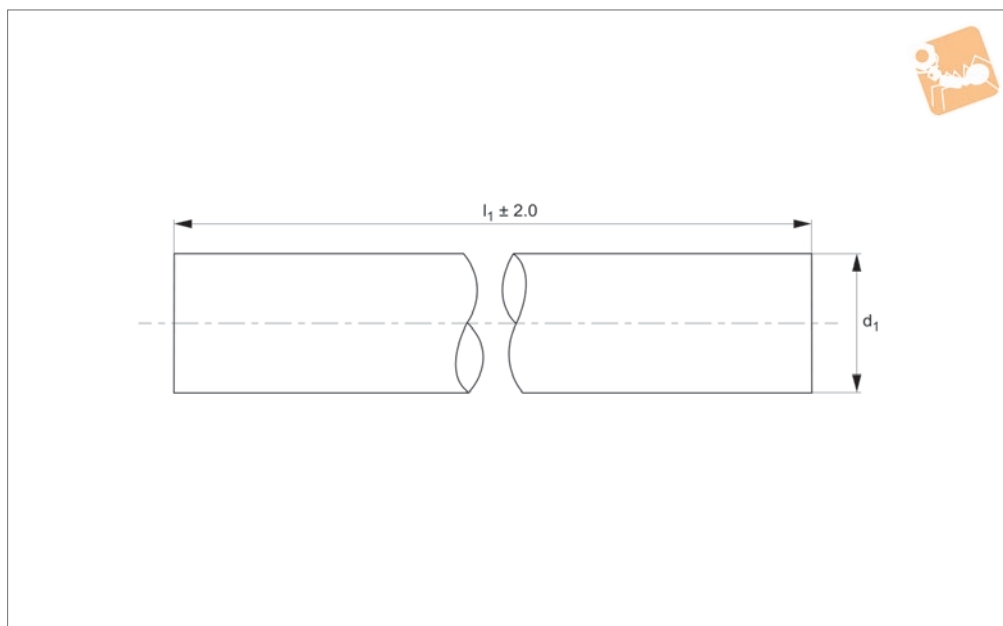


Order No.	d ₁ tol. h6	l ₁	Tolerance μ tol. h6	Depth of hardness
L1774.06-4950	6	4950	+0,-8	1.0
L1774.06-5000	6	5000	+0,-8	1.0
L1774.06-5050	6	5050	+0,-8	1.0
L1774.06-5100	6	5100	+0,-8	1.0
L1774.06-5150	6	5150	+0,-8	1.0
L1774.06-5200	6	5200	+0,-8	1.0
L1774.06-5250	6	5250	+0,-8	1.0
L1774.06-5300	6	5300	+0,-8	1.0
L1774.06-5350	6	5350	+0,-8	1.0
L1774.06-5400	6	5400	+0,-8	1.0
L1774.06-5450	6	5450	+0,-8	1.0
L1774.06-5500	6	5500	+0,-8	1.0
L1774.06-5550	6	5550	+0,-8	1.0
L1774.06-5600	6	5600	+0,-8	1.0
L1774.06-5650	6	5650	+0,-8	1.0
L1774.06-5700	6	5700	+0,-8	1.0
L1774.06-5750	6	5750	+0,-8	1.0
L1774.06-5800	6	5800	+0,-8	1.0
L1774.06-5850	6	5850	+0,-8	1.0
L1774.06-5900	6	5900	+0,-8	1.0
L1774.06-5950	6	5950	+0,-8	1.0
L1774.06-6000	6	6000	+0,-8	1.0

LINEAR SHAFT BARS



L1774.08



Material

Stainless steel (AISI 316, A4). Surface finish 0.3-0.6µ Ra, ground and polished to 8-12 cla.
Yield stress: >205 N/mm², tensile strength: >515 N/mm².

Technical Notes

Tolerance, h6 standard, other tolerances

on request.
Straightness 0,1mm/m.

Tips

Modifications, drilled and tapped holes, circlip grooves, special coatings etc. available.
Shafts lengths are cut to typically ± 2mm.
To be used with ceramic or other bearings

not containing hardened ball bearings.

Order No.	d ₁ tol. h6	l ₁	Tolerance µ tol. h6	Depth of hardness
L1774.08-0100	8	100	+0,-9	1.0
L1774.08-0150	8	150	+0,-9	1.0
L1774.08-0200	8	200	+0,-9	1.0
L1774.08-0250	8	250	+0,-9	1.0
L1774.08-0300	8	300	+0,-9	1.0
L1774.08-0350	8	350	+0,-9	1.0
L1774.08-0400	8	400	+0,-9	1.0
L1774.08-0450	8	450	+0,-9	1.0
L1774.08-0500	8	500	+0,-9	1.0
L1774.08-0550	8	550	+0,-9	1.0
L1774.08-0600	8	600	+0,-9	1.0
L1774.08-0650	8	650	+0,-9	1.0
L1774.08-0700	8	700	+0,-9	1.0
L1774.08-0750	8	750	+0,-9	1.0
L1774.08-0800	8	800	+0,-9	1.0
L1774.08-0850	8	850	+0,-9	1.0
L1774.08-0900	8	900	+0,-9	1.0
L1774.08-0950	8	950	+0,-9	1.0
L1774.08-1000	8	1000	+0,-9	1.0
L1774.08-1050	8	1050	+0,-9	1.0
L1774.08-1100	8	1100	+0,-9	1.0
L1774.08-1150	8	1150	+0,-9	1.0
L1774.08-1200	8	1200	+0,-9	1.0
L1774.08-1250	8	1250	+0,-9	1.0
L1774.08-1300	8	1300	+0,-9	1.0
L1774.08-1350	8	1350	+0,-9	1.0
L1774.08-1400	8	1400	+0,-9	1.0
L1774.08-1450	8	1450	+0,-9	1.0
L1774.08-1500	8	1500	+0,-9	1.0



8Ø Stainless AISI 316 Shafts

soft

Linear Shaft Bars



Order No.	d ₁ tol. h6	l ₁	Tolerance μ tol. h6	Depth of hardness
L1774.08-1550	8	1550	+0,-9	1.0
L1774.08-1600	8	1600	+0,-9	1.0
L1774.08-1650	8	1650	+0,-9	1.0
L1774.08-1700	8	1700	+0,-9	1.0
L1774.08-1750	8	1750	+0,-9	1.0
L1774.08-1800	8	1800	+0,-9	1.0
L1774.08-1850	8	1850	+0,-9	1.0
L1774.08-1900	8	1900	+0,-9	1.0
L1774.08-1950	8	1950	+0,-9	1.0
L1774.08-2000	8	2000	+0,-9	1.0
L1774.08-2050	8	2050	+0,-9	1.0
L1774.08-2100	8	2100	+0,-9	1.0
L1774.08-2150	8	2150	+0,-9	1.0
L1774.08-2200	8	2200	+0,-9	1.0
L1774.08-2250	8	2250	+0,-9	1.0
L1774.08-2300	8	2300	+0,-9	1.0
L1774.08-2350	8	2350	+0,-9	1.0
L1774.08-2400	8	2400	+0,-9	1.0
L1774.08-2450	8	2450	+0,-9	1.0
L1774.08-2500	8	2500	+0,-9	1.0
L1774.08-2550	8	2550	+0,-9	1.0
L1774.08-2600	8	2600	+0,-9	1.0
L1774.08-2650	8	2650	+0,-9	1.0
L1774.08-2700	8	2700	+0,-9	1.0
L1774.08-2750	8	2750	+0,-9	1.0
L1774.08-2800	8	2800	+0,-9	1.0
L1774.08-2850	8	2850	+0,-9	1.0
L1774.08-2900	8	2900	+0,-9	1.0
L1774.08-2950	8	2950	+0,-9	1.0
L1774.08-3000	8	3000	+0,-9	1.0
L1774.08-3050	8	3050	+0,-9	1.0
L1774.08-3100	8	3100	+0,-9	1.0
L1774.08-3150	8	3150	+0,-9	1.0
L1774.08-3200	8	3200	+0,-9	1.0
L1774.08-3250	8	3250	+0,-9	1.0
L1774.08-3300	8	3300	+0,-9	1.0
L1774.08-3350	8	3350	+0,-9	1.0
L1774.08-3400	8	3400	+0,-9	1.0
L1774.08-3450	8	3450	+0,-9	1.0
L1774.08-3500	8	3500	+0,-9	1.0
L1774.08-3550	8	3550	+0,-9	1.0
L1774.08-3600	8	3600	+0,-9	1.0
L1774.08-3650	8	3650	+0,-9	1.0
L1774.08-3700	8	3700	+0,-9	1.0
L1774.08-3750	8	3750	+0,-9	1.0
L1774.08-3800	8	3800	+0,-9	1.0
L1774.08-3850	8	3850	+0,-9	1.0
L1774.08-3900	8	3900	+0,-9	1.0
L1774.08-3950	8	3950	+0,-9	1.0
L1774.08-4000	8	4000	+0,-9	1.0
L1774.08-4050	8	4050	+0,-9	1.0
L1774.08-4100	8	4100	+0,-9	1.0
L1774.08-4150	8	4150	+0,-9	1.0
L1774.08-4200	8	4200	+0,-9	1.0
L1774.08-4250	8	4250	+0,-9	1.0
L1774.08-4300	8	4300	+0,-9	1.0
L1774.08-4350	8	4350	+0,-9	1.0
L1774.08-4400	8	4400	+0,-9	1.0
L1774.08-4450	8	4450	+0,-9	1.0
L1774.08-4500	8	4500	+0,-9	1.0
L1774.08-4550	8	4550	+0,-9	1.0
L1774.08-4600	8	4600	+0,-9	1.0
L1774.08-4650	8	4650	+0,-9	1.0
L1774.08-4700	8	4700	+0,-9	1.0
L1774.08-4750	8	4750	+0,-9	1.0
L1774.08-4800	8	4800	+0,-9	1.0
L1774.08-4850	8	4850	+0,-9	1.0
L1774.08-4900	8	4900	+0,-9	1.0

LINEAR SHAFT BARS



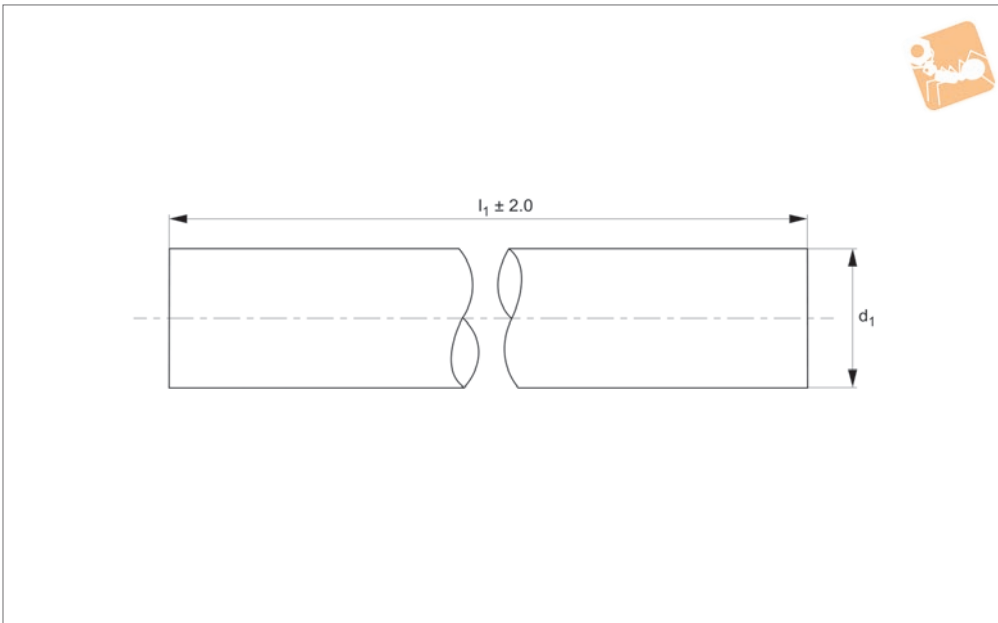
Order No.	d ₁ tol. h6	l ₁	Tolerance μ tol. h6	Depth of hardness
L1774.08-4950	8	4950	+0,-9	1.0
L1774.08-5000	8	5000	+0,-9	1.0
L1774.08-5050	8	5050	+0,-9	1.0
L1774.08-5100	8	5100	+0,-9	1.0
L1774.08-5150	8	5150	+0,-9	1.0
L1774.08-5200	8	5200	+0,-9	1.0
L1774.08-5250	8	5250	+0,-9	1.0
L1774.08-5300	8	5300	+0,-9	1.0
L1774.08-5350	8	5350	+0,-9	1.0
L1774.08-5400	8	5400	+0,-9	1.0
L1774.08-5450	8	5450	+0,-9	1.0
L1774.08-5500	8	5500	+0,-9	1.0
L1774.08-5550	8	5550	+0,-9	1.0
L1774.08-5600	8	5600	+0,-9	1.0
L1774.08-5650	8	5650	+0,-9	1.0
L1774.08-5700	8	5700	+0,-9	1.0
L1774.08-5750	8	5750	+0,-9	1.0
L1774.08-5800	8	5800	+0,-9	1.0
L1774.08-5850	8	5850	+0,-9	1.0
L1774.08-5900	8	5900	+0,-9	1.0
L1774.08-5950	8	5950	+0,-9	1.0
L1774.08-6000	8	6000	+0,-9	1.0



10Ø Stainless AISI 316 Shafts

soft

Linear Shaft Bars



L1774.10

LINEAR SHAFT BARS

Material

Stainless steel (AISI 316, A4). Surface finish 0.3-0.6µ Ra, ground and polished to 8-12 cla.

Yield stress: >205 N/mm², tensile strength: >515 N/mm².

Technical Notes

Tolerance, h6 standard, other tolerances

on request.

Straightness 0,2mm/m.

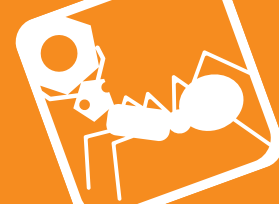
Tips

Modifications, drilled and tapped holes, circlip grooves, special coatings etc. available.

Shafts lengths are cut to typically ± 2mm. To be used with ceramic or other bearings

not containing hardened ball bearings.

Order No.	d ₁ tol. h6	l ₁	Tolerance µ tol. h6	Depth of hardness
L1774.10-0100	10	100	+0,-10	1.0
L1774.10-0150	10	150	+0,-10	1.0
L1774.10-0200	10	200	+0,-10	1.0
L1774.10-0250	10	250	+0,-10	1.0
L1774.10-0300	10	300	+0,-10	1.0
L1774.10-0350	10	350	+0,-10	1.0
L1774.10-0400	10	400	+0,-10	1.0
L1774.10-0450	10	450	+0,-10	1.0
L1774.10-0500	10	500	+0,-10	1.0
L1774.10-0550	10	550	+0,-10	1.0
L1774.10-0600	10	600	+0,-10	1.0
L1774.10-0650	10	650	+0,-10	1.0
L1774.10-0700	10	700	+0,-10	1.0
L1774.10-0750	10	750	+0,-10	1.0
L1774.10-0800	10	800	+0,-10	1.0
L1774.10-0850	10	850	+0,-10	1.0
L1774.10-0900	10	900	+0,-10	1.0
L1774.10-0950	10	950	+0,-10	1.0
L1774.10-1000	10	1000	+0,-10	1.0
L1774.10-1050	10	1050	+0,-10	1.0
L1774.10-1100	10	1100	+0,-10	1.0
L1774.10-1150	10	1150	+0,-10	1.0
L1774.10-1200	10	1200	+0,-10	1.0
L1774.10-1250	10	1250	+0,-10	1.0
L1774.10-1300	10	1300	+0,-10	1.0
L1774.10-1350	10	1350	+0,-10	1.0
L1774.10-1400	10	1400	+0,-10	1.0
L1774.10-1450	10	1450	+0,-10	1.0
L1774.10-1500	10	1500	+0,-10	1.0



Order No.	d ₁ tol. h6	l ₁	Tolerance μ tol. h6	Depth of hardness
L1774.10-1550	10	1550	+0,-10	1.0
L1774.10-1600	10	1600	+0,-10	1.0
L1774.10-1650	10	1650	+0,-10	1.0
L1774.10-1700	10	1700	+0,-10	1.0
L1774.10-1750	10	1750	+0,-10	1.0
L1774.10-1800	10	1800	+0,-10	1.0
L1774.10-1850	10	1850	+0,-10	1.0
L1774.10-1900	10	1900	+0,-10	1.0
L1774.10-1950	10	1950	+0,-10	1.0
L1774.10-2000	10	2000	+0,-10	1.0
L1774.10-2050	10	2050	+0,-10	1.0
L1774.10-2100	10	2100	+0,-10	1.0
L1774.10-2150	10	2150	+0,-10	1.0
L1774.10-2200	10	2200	+0,-10	1.0
L1774.10-2250	10	2250	+0,-10	1.0
L1774.10-2300	10	2300	+0,-10	1.0
L1774.10-2350	10	2350	+0,-10	1.0
L1774.10-2400	10	2400	+0,-10	1.0
L1774.10-2450	10	2450	+0,-10	1.0
L1774.10-2500	10	2500	+0,-10	1.0
L1774.10-2550	10	2550	+0,-10	1.0
L1774.10-2600	10	2600	+0,-10	1.0
L1774.10-2650	10	2650	+0,-10	1.0
L1774.10-2700	10	2700	+0,-10	1.0
L1774.10-2750	10	2750	+0,-10	1.0
L1774.10-2800	10	2800	+0,-10	1.0
L1774.10-2850	10	2850	+0,-10	1.0
L1774.10-2900	10	2900	+0,-10	1.0
L1774.10-2950	10	2950	+0,-10	1.0
L1774.10-3000	10	3000	+0,-10	1.0
L1774.10-3050	10	3050	+0,-10	1.0
L1774.10-3100	10	3100	+0,-10	1.0
L1774.10-3150	10	3150	+0,-10	1.0
L1774.10-3200	10	3200	+0,-10	1.0
L1774.10-3250	10	3250	+0,-10	1.0
L1774.10-3300	10	3300	+0,-10	1.0
L1774.10-3350	10	3350	+0,-10	1.0
L1774.10-3400	10	3400	+0,-10	1.0
L1774.10-3450	10	3450	+0,-10	1.0
L1774.10-3500	10	3500	+0,-10	1.0
L1774.10-3550	10	3550	+0,-10	1.0
L1774.10-3600	10	3600	+0,-10	1.0
L1774.10-3650	10	3650	+0,-10	1.0
L1774.10-3700	10	3700	+0,-10	1.0
L1774.10-3750	10	3750	+0,-10	1.0
L1774.10-3800	10	3800	+0,-10	1.0
L1774.10-3850	10	3850	+0,-10	1.0
L1774.10-3900	10	3900	+0,-10	1.0
L1774.10-3950	10	3950	+0,-10	1.0
L1774.10-4000	10	4000	+0,-10	1.0
L1774.10-4050	10	4050	+0,-10	1.0
L1774.10-4100	10	4100	+0,-10	1.0
L1774.10-4150	10	4150	+0,-10	1.0
L1774.10-4200	10	4200	+0,-10	1.0
L1774.10-4250	10	4250	+0,-10	1.0
L1774.10-4300	10	4300	+0,-10	1.0
L1774.10-4350	10	4350	+0,-10	1.0
L1774.10-4400	10	4400	+0,-10	1.0
L1774.10-4450	10	4450	+0,-10	1.0
L1774.10-4500	10	4500	+0,-10	1.0
L1774.10-4550	10	4550	+0,-10	1.0
L1774.10-4600	10	4600	+0,-10	1.0
L1774.10-4650	10	4650	+0,-10	1.0
L1774.10-4700	10	4700	+0,-10	1.0
L1774.10-4750	10	4750	+0,-10	1.0
L1774.10-4800	10	4800	+0,-10	1.0
L1774.10-4850	10	4850	+0,-10	1.0
L1774.10-4900	10	4900	+0,-10	1.0



10Ø Stainless AISI 316 Shafts

soft

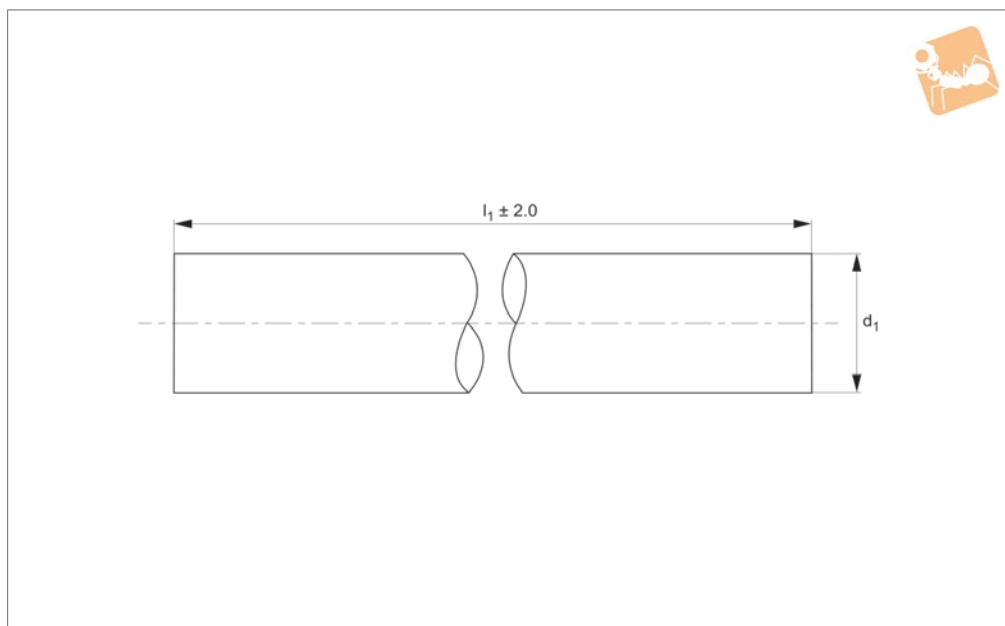
Linear Shaft Bars

Order No.	d_1 tol. h6	l_1	Tolerance μ tol. h6	Depth of hardness
L1774.10-4950	10	4950	+0,-10	1.0
L1774.10-5000	10	5000	+0,-10	1.0
L1774.10-5050	10	5050	+0,-10	1.0
L1774.10-5100	10	5100	+0,-10	1.0
L1774.10-5150	10	5150	+0,-10	1.0
L1774.10-5200	10	5200	+0,-10	1.0
L1774.10-5250	10	5250	+0,-10	1.0
L1774.10-5300	10	5300	+0,-10	1.0
L1774.10-5350	10	5350	+0,-10	1.0
L1774.10-5400	10	5400	+0,-10	1.0
L1774.10-5450	10	5450	+0,-10	1.0
L1774.10-5500	10	5500	+0,-10	1.0
L1774.10-5550	10	5500	+0,-10	1.0
L1774.10-5600	10	5600	+0,-10	1.0
L1774.10-5650	10	5650	+0,-10	1.0
L1774.10-5700	10	5700	+0,-10	1.0
L1774.10-5750	10	5750	+0,-10	1.0
L1774.10-5800	10	5800	+0,-10	1.0
L1774.10-5850	10	5850	+0,-10	1.0
L1774.10-5900	10	5900	+0,-10	1.0
L1774.10-5950	10	5950	+0,-10	1.0
L1774.10-6000	10	6000	+0,-10	1.0

LINEAR SHAFT BARS



L1774.12



Material

Stainless steel (AISI 316, A4). Surface finish 0.3-0.6µ Ra, ground and polished to 8-12 cla.
Yield stress: >205 N/mm², tensile strength: >515 N/mm².

Technical Notes

Tolerance, h6 standard, other tolerances

on request.
Straightness 0,2mm/m.

Tips

Modifications, drilled and tapped holes, circlip grooves, special coatings etc. available.

Shafts lengths are cut to typically ± 2mm.
To be used with ceramic or other bearings

not containing hardened ball bearings.

Order No.	d ₁ tol. h6	l ₁	Tolerance µ tol. h6	Depth of hardness mm
L1774.12-0100	12	100	+0,-11	1.6
L1774.12-0150	12	150	+0,-11	1.6
L1774.12-0200	12	200	+0,-11	1.6
L1774.12-0250	12	250	+0,-11	1.6
L1774.12-0300	12	300	+0,-11	1.6
L1774.12-0350	12	350	+0,-11	1.6
L1774.12-0400	12	400	+0,-11	1.6
L1774.12-0450	12	450	+0,-11	1.6
L1774.12-0500	12	500	+0,-11	1.6
L1774.12-0550	12	550	+0,-11	1.6
L1774.12-0600	12	600	+0,-11	1.6
L1774.12-0650	12	650	+0,-11	1.6
L1774.12-0700	12	700	+0,-11	1.6
L1774.12-0750	12	750	+0,-11	1.6
L1774.12-0800	12	800	+0,-11	1.6
L1774.12-0850	12	850	+0,-11	1.6
L1774.12-0900	12	900	+0,-11	1.6
L1774.12-0950	12	950	+0,-11	1.6
L1774.12-1000	12	1000	+0,-11	1.6
L1774.12-1050	12	1050	+0,-11	1.6
L1774.12-1100	12	1100	+0,-11	1.6
L1774.12-1150	12	1150	+0,-11	1.6
L1774.12-1200	12	1200	+0,-11	1.6
L1774.12-1250	12	1250	+0,-11	1.6
L1774.12-1300	12	1300	+0,-11	1.6
L1774.12-1350	12	1350	+0,-11	1.6
L1774.12-1400	12	1400	+0,-11	1.6
L1774.12-1450	12	1450	+0,-11	1.6
L1774.12-1500	12	1500	+0,-11	1.6



12Ø Stainless AISI 316 Shafts

soft

Linear Shaft
Bars

Order No.	d ₁ tol. h6	l ₁	Tolerance μ tol. h6	Depth of hardness mm
L1774.12-1550	12	1550	+0,-11	1.6
L1774.12-1600	12	1600	+0,-11	1.6
L1774.12-1650	12	1650	+0,-11	1.6
L1774.12-1700	12	1700	+0,-11	1.6
L1774.12-1750	12	1750	+0,-11	1.6
L1774.12-1800	12	1800	+0,-11	1.6
L1774.12-1850	12	1850	+0,-11	1.6
L1774.12-1900	12	1900	+0,-11	1.6
L1774.12-1950	12	1950	+0,-11	1.6
L1774.12-2000	12	2000	+0,-11	1.6
L1774.12-2050	12	2050	+0,-11	1.6
L1774.12-2100	12	2100	+0,-11	1.6
L1774.12-2150	12	2150	+0,-11	1.6
L1774.12-2200	12	2200	+0,-11	1.6
L1774.12-2250	12	2250	+0,-11	1.6
L1774.12-2300	12	2300	+0,-11	1.6
L1774.12-2350	12	2350	+0,-11	1.6
L1774.12-2400	12	2400	+0,-11	1.6
L1774.12-2450	12	2450	+0,-11	1.6
L1774.12-2500	12	2500	+0,-11	1.6
L1774.12-2550	12	2550	+0,-11	1.6
L1774.12-2600	12	2600	+0,-11	1.6
L1774.12-2650	12	2650	+0,-11	1.6
L1774.12-2700	12	2700	+0,-11	1.6
L1774.12-2750	12	2750	+0,-11	1.6
L1774.12-2800	12	2800	+0,-11	1.6
L1774.12-2850	12	2850	+0,-11	1.6
L1774.12-2900	12	2900	+0,-11	1.6
L1774.12-2950	12	2950	+0,-11	1.6
L1774.12-3000	12	3000	+0,-11	1.6
L1774.12-3050	12	3050	+0,-11	1.6
L1774.12-3100	12	3100	+0,-11	1.6
L1774.12-3150	12	3150	+0,-11	1.6
L1774.12-3200	12	3200	+0,-11	1.6
L1774.12-3250	12	3250	+0,-11	1.6
L1774.12-3300	12	3300	+0,-11	1.6
L1774.12-3350	12	3350	+0,-11	1.6
L1774.12-3400	12	3400	+0,-11	1.6
L1774.12-3450	12	3450	+0,-11	1.6
L1774.12-3500	12	3500	+0,-11	1.6
L1774.12-3550	12	3550	+0,-11	1.6
L1774.12-3600	12	3600	+0,-11	1.6
L1774.12-3650	12	3650	+0,-11	1.6
L1774.12-3700	12	3700	+0,-11	1.6
L1774.12-3750	12	3750	+0,-11	1.6
L1774.12-3800	12	3800	+0,-11	1.6
L1774.12-3850	12	3850	+0,-11	1.6
L1774.12-3900	12	3900	+0,-11	1.6
L1774.12-3950	12	3950	+0,-11	1.6
L1774.12-4000	12	4000	+0,-11	1.6
L1774.12-4050	12	4050	+0,-11	1.6
L1774.12-4100	12	4100	+0,-11	1.6
L1774.12-4150	12	4150	+0,-11	1.6
L1774.12-4200	12	4200	+0,-11	1.6
L1774.12-4250	12	4250	+0,-11	1.6
L1774.12-4300	12	4300	+0,-11	1.6
L1774.12-4350	12	4350	+0,-11	1.6
L1774.12-4400	12	4400	+0,-11	1.6
L1774.12-4450	12	4450	+0,-11	1.6
L1774.12-4500	12	4500	+0,-11	1.6
L1774.12-4550	12	4550	+0,-11	1.6
L1774.12-4600	12	4600	+0,-11	1.6
L1774.12-4650	12	4650	+0,-11	1.6
L1774.12-4700	12	4700	+0,-11	1.6
L1774.12-4750	12	4750	+0,-11	1.6
L1774.12-4800	12	4800	+0,-11	1.6
L1774.12-4850	12	4850	+0,-11	1.6
L1774.12-4900	12	4900	+0,-11	1.6

LINEAR SHAFT BARS



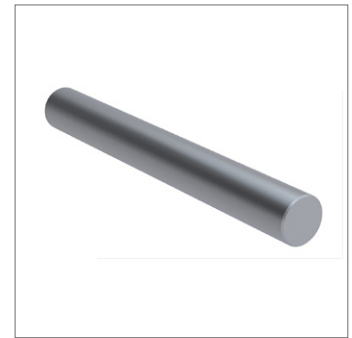
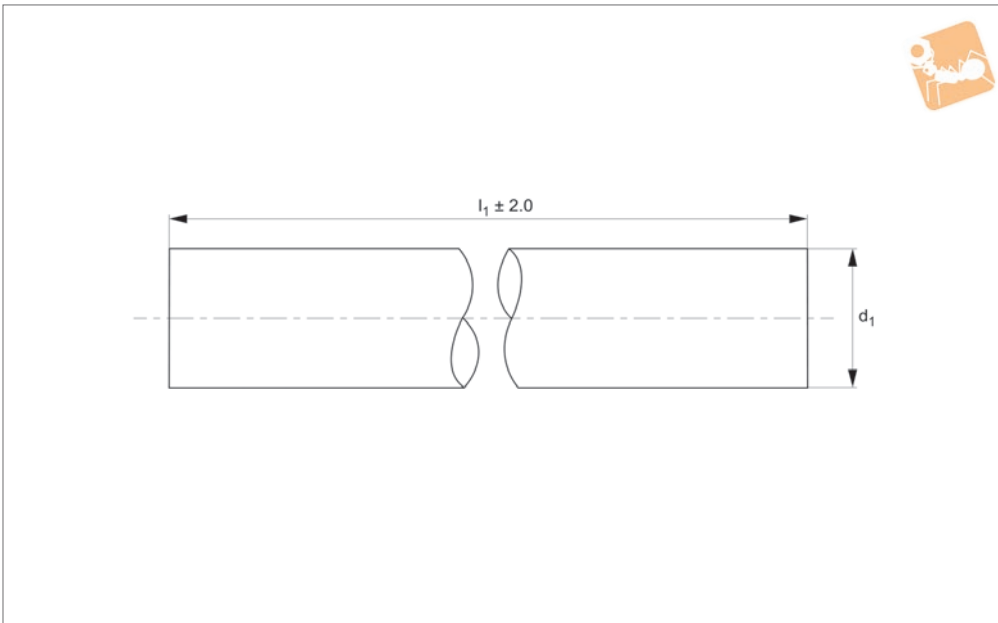
Order No.	d ₁ tol. h6	l ₁	Tolerance μ tol. h6	Depth of hardness mm
L1774.12-4950	12	4950	+0,-11	1.6
L1774.12-5000	12	5000	+0,-11	1.6
L1774.12-5050	12	5050	+0,-11	1.6
L1774.12-5100	12	5100	+0,-11	1.6
L1774.12-5150	12	5150	+0,-11	1.6
L1774.12-5200	12	5200	+0,-11	1.6
L1774.12-5250	12	5250	+0,-11	1.6
L1774.12-5300	12	5300	+0,-11	1.6
L1774.12-5350	12	5350	+0,-11	1.6
L1774.12-5400	12	5400	+0,-11	1.6
L1774.12-5450	12	5450	+0,-11	1.6
L1774.12-5500	12	5500	+0,-11	1.6
L1774.12-5550	12	5550	+0,-11	1.6
L1774.12-5600	12	5600	+0,-11	1.6
L1774.12-5650	12	5650	+0,-11	1.6
L1774.12-5700	12	5700	+0,-11	1.6
L1774.12-5750	12	5700	+0,-11	1.6
L1774.12-5800	12	5800	+0,-11	1.6
L1774.12-5850	12	5850	+0,-11	1.6
L1774.12-5900	12	5900	+0,-11	1.6
L1774.12-5950	12	5950	+0,-11	1.6
L1774.12-6000	12	6000	+0,-11	1.6



16Ø Stainless AISI 316 Shafts

soft

Linear Shaft Bars



L1774.16

LINEAR SHAFT BARS

Material

Stainless steel (AISI 316, A4). Surface finish 0.3-0.6µ Ra, ground and polished to 8-12 cla.
Yield stress: >205 N/mm², tensile strength: >515 N/mm².

Technical Notes

Tolerance, h6 standard, other tolerances

on request.
Straightness 0,2mm/m.

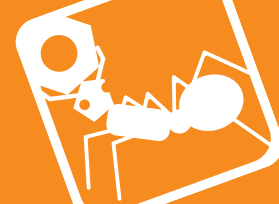
Tips

Modifications, drilled and tapped holes, circlip grooves, special coatings etc. available.

Shafts lengths are cut to typically ± 2mm.
To be used with ceramic or other bearings

not containing hardened ball bearings.

Order No.	d ₁ tol. h6	l ₁	Tolerance µ tol. h6	Depth of hardness
L1774.16-0100	16	100	+0,-11	1.6
L1774.16-0150	16	150	+0,-11	1.6
L1774.16-0200	16	200	+0,-11	1.6
L1774.16-0250	16	250	+0,-11	1.6
L1774.16-0300	16	300	+0,-11	1.6
L1774.16-0350	16	350	+0,-11	1.6
L1774.16-0400	16	400	+0,-11	1.6
L1774.16-0450	16	450	+0,-11	1.6
L1774.16-0500	16	500	+0,-11	1.6
L1774.16-0550	16	550	+0,-11	1.6
L1774.16-0600	16	600	+0,-11	1.6
L1774.16-0650	16	650	+0,-11	1.6
L1774.16-0700	16	700	+0,-11	1.6
L1774.16-0750	16	750	+0,-11	1.6
L1774.16-0800	16	800	+0,-11	1.6
L1774.16-0850	16	850	+0,-11	1.6
L1774.16-0900	16	900	+0,-11	1.6
L1774.16-0950	16	950	+0,-11	1.6
L1774.16-1000	16	1000	+0,-11	1.6
L1774.16-1050	16	1050	+0,-11	1.6
L1774.16-1100	16	1100	+0,-11	1.6
L1774.16-1150	16	1150	+0,-11	1.6
L1774.16-1200	16	1200	+0,-11	1.6
L1774.16-1250	16	1250	+0,-11	1.6
L1774.16-1300	16	1300	+0,-11	1.6
L1774.16-1350	16	1350	+0,-11	1.6
L1774.16-1400	16	1400	+0,-11	1.6
L1774.16-1450	16	1450	+0,-11	1.6
L1774.16-1500	16	1500	+0,-11	1.6



Order No.	d ₁ tol. h6	l ₁	Tolerance μ tol. h6	Depth of hardness
L1774.16-1550	16	1550	+0,-11	1.6
L1774.16-1600	16	1600	+0,-11	1.6
L1774.16-1650	16	1650	+0,-11	1.6
L1774.16-1700	16	1700	+0,-11	1.6
L1774.16-1750	16	1750	+0,-11	1.6
L1774.16-1800	16	1800	+0,-11	1.6
L1774.16-1850	16	1850	+0,-11	1.6
L1774.16-1900	16	1900	+0,-11	1.6
L1774.16-1950	16	1950	+0,-11	1.6
L1774.16-2000	16	2000	+0,-11	1.6
L1774.16-2050	16	2050	+0,-11	1.6
L1774.16-2100	16	2100	+0,-11	1.6
L1774.16-2150	16	2150	+0,-11	1.6
L1774.16-2200	16	2200	+0,-11	1.6
L1774.16-2250	16	2250	+0,-11	1.6
L1774.16-2300	16	2300	+0,-11	1.6
L1774.16-2350	16	2350	+0,-11	1.6
L1774.16-2400	16	2400	+0,-11	1.6
L1774.16-2450	16	2450	+0,-11	1.6
L1774.16-2500	16	2500	+0,-11	1.6
L1774.16-2550	16	2550	+0,-11	1.6
L1774.16-2600	16	2600	+0,-11	1.6
L1774.16-2650	16	2650	+0,-11	1.6
L1774.16-2700	16	2700	+0,-11	1.6
L1774.16-2750	16	2750	+0,-11	1.6
L1774.16-2800	16	2800	+0,-11	1.6
L1774.16-2850	16	2850	+0,-11	1.6
L1774.16-2900	16	2900	+0,-11	1.6
L1774.16-2950	16	2950	+0,-11	1.6
L1774.16-3000	16	3000	+0,-11	1.6
L1774.16-3050	16	3050	+0,-11	1.6
L1774.16-3100	16	3100	+0,-11	1.6
L1774.16-3150	16	3150	+0,-11	1.6
L1774.16-3200	16	3200	+0,-11	1.6
L1774.16-3250	16	3250	+0,-11	1.6
L1774.16-3300	16	3300	+0,-11	1.6
L1774.16-3350	16	3350	+0,-11	1.6
L1774.16-3400	16	3400	+0,-11	1.6
L1774.16-3450	16	3450	+0,-11	1.6
L1774.16-3500	16	3500	+0,-11	1.6
L1774.16-3550	16	3550	+0,-11	1.6
L1774.16-3600	16	3600	+0,-11	1.6
L1774.16-3650	16	3650	+0,-11	1.6
L1774.16-3700	16	3700	+0,-11	1.6
L1774.16-3750	16	3750	+0,-11	1.6
L1774.16-3800	16	3800	+0,-11	1.6
L1774.16-3850	16	3850	+0,-11	1.6
L1774.16-3900	16	3900	+0,-11	1.6
L1774.16-3950	16	3950	+0,-11	1.6
L1774.16-4000	16	4000	+0,-11	1.6
L1774.16-4050	16	4050	+0,-11	1.6
L1774.16-4100	16	4100	+0,-11	1.6
L1774.16-4150	16	4150	+0,-11	1.6
L1774.16-4200	16	4200	+0,-11	1.6
L1774.16-4250	16	4250	+0,-11	1.6
L1774.16-4300	16	4300	+0,-11	1.6
L1774.16-4350	16	4350	+0,-11	1.6
L1774.16-4400	16	4400	+0,-11	1.6
L1774.16-4450	16	4450	+0,-11	1.6
L1774.16-4500	16	4500	+0,-11	1.6
L1774.16-4550	16	4550	+0,-11	1.6
L1774.16-4600	16	4600	+0,-11	1.6
L1774.16-4650	16	4650	+0,-11	1.6
L1774.16-4700	16	4700	+0,-11	1.6
L1774.16-4750	16	4750	+0,-11	1.6
L1774.16-4800	16	4800	+0,-11	1.6
L1774.16-4850	16	4850	+0,-11	1.6
L1774.16-4900	16	4900	+0,-11	1.6



16Ø Stainless AISI 316 Shafts

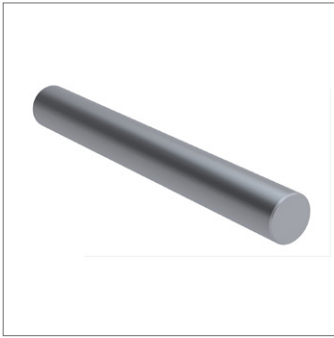
soft

Linear Shaft Bars

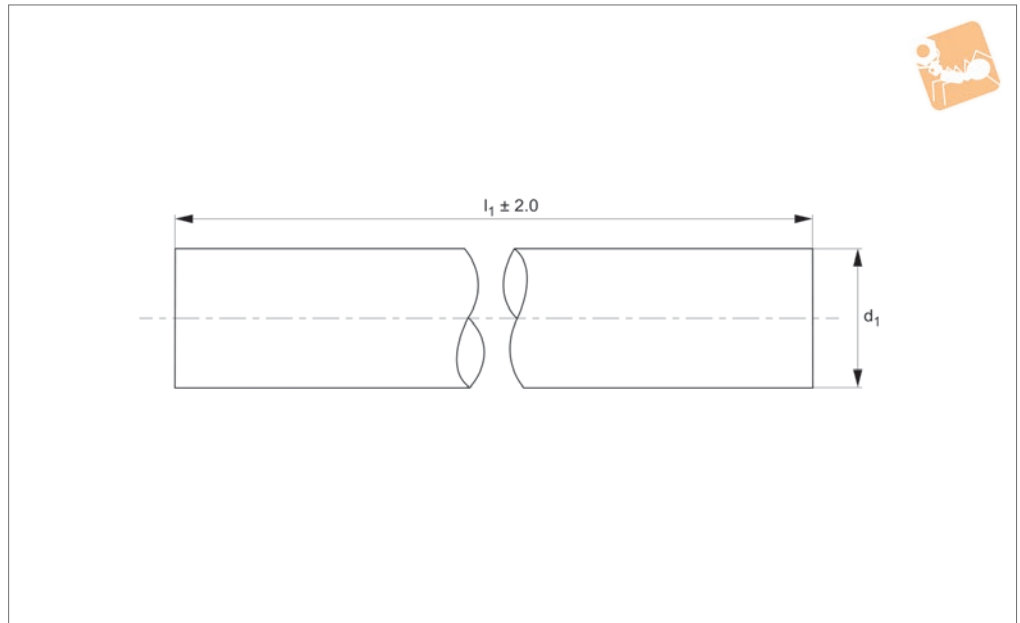


Order No.	d ₁ tol. h6	l ₁	Tolerance μ tol. h6	Depth of hardness
L1774.16-4950	16	4950	+0,-11	1.6
L1774.16-5000	16	5000	+0,-11	1.6
L1774.16-5050	16	5050	+0,-11	1.6
L1774.16-5100	16	5100	+0,-11	1.6
L1774.16-5150	16	5150	+0,-11	1.6
L1774.16-5200	16	5200	+0,-11	1.6
L1774.16-5250	16	5250	+0,-11	1.6
L1774.16-5300	16	5300	+0,-11	1.6
L1774.16-5350	16	5350	+0,-11	1.6
L1774.16-5400	16	5400	+0,-11	1.6
L1774.16-5450	16	5450	+0,-11	1.6
L1774.16-5500	16	5500	+0,-11	1.6
L1774.16-5550	16	5550	+0,-11	1.6
L1774.16-5600	16	5600	+0,-11	1.6
L1774.16-5650	16	5650	+0,-11	1.6
L1774.16-5700	16	5700	+0,-11	1.6
L1774.16-5750	16	5750	+0,-11	1.6
L1774.16-5800	16	5800	+0,-11	1.6
L1774.16-5850	16	5850	+0,-11	1.6
L1774.16-5900	16	5900	+0,-11	1.6
L1774.16-5950	16	5950	+0,-11	1.6
L1774.16-6000	16	6000	+0,-11	1.6

LINEAR SHAFT BARS



L1774.20



Material

Stainless steel (AISI 316, A4). Surface finish 0.3-0.6µ Ra, ground and polished to 8-12 cla.
Yield stress: >205 N/mm², tensile strength: >515 N/mm².

Technical Notes

Tolerance, h6 standard, other tolerances

on request.
Straightness 0,2mm/m.

Tips

Modifications, drilled and tapped holes, circlip grooves, special coatings etc. available.

Shafts lengths are cut to typically ± 2mm.
To be used with ceramic or other bearings

not containing hardened ball bearings.

Order No.	d ₁ tol. h6	l ₁	Tolerance µ tol. h6	Depth of hardness
L1774.20-0100	20	100	+0,-13	2.2
L1774.20-0150	20	150	+0,-13	2.2
L1774.20-0200	20	200	+0,-13	2.2
L1774.20-0250	20	250	+0,-13	2.2
L1774.20-0300	20	300	+0,-13	2.2
L1774.20-0350	20	350	+0,-13	2.2
L1774.20-0400	20	400	+0,-13	2.2
L1774.20-0450	20	450	+0,-13	2.2
L1774.20-0500	20	500	+0,-13	2.2
L1774.20-0550	20	550	+0,-13	2.2
L1774.20-0600	20	600	+0,-13	2.2
L1774.20-0650	20	650	+0,-13	2.2
L1774.20-0700	20	700	+0,-13	2.2
L1774.20-0750	20	750	+0,-13	2.2
L1774.20-0800	20	800	+0,-13	2.2
L1774.20-0850	20	850	+0,-13	2.2
L1774.20-0900	20	900	+0,-13	2.2
L1774.20-0950	20	950	+0,-13	2.2
L1774.20-1000	20	1000	+0,-13	2.2
L1774.20-1050	20	1050	+0,-13	2.2
L1774.20-1100	20	1100	+0,-13	2.2
L1774.20-1150	20	1150	+0,-13	2.2
L1774.20-1200	20	1200	+0,-13	2.2
L1774.20-1250	20	1250	+0,-13	2.2
L1774.20-1300	20	1300	+0,-13	2.2
L1774.20-1350	20	1350	+0,-13	2.2
L1774.20-1400	20	1400	+0,-13	2.2
L1774.20-1450	20	1450	+0,-13	2.2
L1774.20-1500	20	1500	+0,-13	2.2



20Ø Stainless AISI 316 Shafts

soft

Linear Shaft
Bars

Order No.	d ₁ tol. h6	l ₁	Tolerance μ tol. h6	Depth of hardness
L1774.20-1550	20	1550	+0,-13	2.2
L1774.20-1600	20	1600	+0,-13	2.2
L1774.20-1650	20	1650	+0,-13	2.2
L1774.20-1700	20	1700	+0,-13	2.2
L1774.20-1750	20	1750	+0,-13	2.2
L1774.20-1800	20	1800	+0,-13	2.2
L1774.20-1850	20	1850	+0,-13	2.2
L1774.20-1900	20	1900	+0,-13	2.2
L1774.20-1950	20	1950	+0,-13	2.2
L1774.20-2000	20	2000	+0,-13	2.2
L1774.20-2050	20	2050	+0,-13	2.2
L1774.20-2100	20	2100	+0,-13	2.2
L1774.20-2150	20	2150	+0,-13	2.2
L1774.20-2200	20	2200	+0,-13	2.2
L1774.20-2250	20	2250	+0,-13	2.2
L1774.20-2300	20	2300	+0,-13	2.2
L1774.20-2350	20	2350	+0,-13	2.2
L1774.20-2400	20	2400	+0,-13	2.2
L1774.20-2450	20	2450	+0,-13	2.2
L1774.20-2500	20	2500	+0,-13	2.2
L1774.20-2550	20	2550	+0,-13	2.2
L1774.20-2600	20	2600	+0,-13	2.2
L1774.20-2650	20	2650	+0,-13	2.2
L1774.20-2700	20	2700	+0,-13	2.2
L1774.20-2750	20	2752	+0,-13	2.2
L1774.20-2800	20	2800	+0,-13	2.2
L1774.20-2850	20	2850	+0,-13	2.2
L1774.20-2900	20	2900	+0,-13	2.2
L1774.20-2950	20	2950	+0,-13	2.2
L1774.20-3000	20	3000	+0,-13	2.2
L1774.20-3050	20	3050	+0,-13	2.2
L1774.20-3100	20	3100	+0,-13	2.2
L1774.20-3150	20	3150	+0,-13	2.2
L1774.20-3200	20	3200	+0,-13	2.2
L1774.20-3250	20	3250	+0,-13	2.2
L1774.20-3300	20	3300	+0,-13	2.2
L1774.20-3350	20	3350	+0,-13	2.2
L1774.20-3400	20	3400	+0,-13	2.2
L1774.20-3450	20	3450	+0,-13	2.2
L1774.20-3500	20	3500	+0,-13	2.2
L1774.20-3550	20	3550	+0,-13	2.2
L1774.20-3600	20	3600	+0,-13	2.2
L1774.20-3650	20	3650	+0,-13	2.2
L1774.20-3700	20	3700	+0,-13	2.2
L1774.20-3750	20	3750	+0,-13	2.2
L1774.20-3800	20	3800	+0,-13	2.2
L1774.20-3850	20	3850	+0,-13	2.2
L1774.20-3900	20	3900	+0,-13	2.2
L1774.20-3950	20	3950	+0,-13	2.2
L1774.20-4000	20	4000	+0,-13	2.2
L1774.20-4050	20	4050	+0,-13	2.2
L1774.20-4100	20	4100	+0,-13	2.2
L1774.20-4150	20	4150	+0,-13	2.2
L1774.20-4200	20	4200	+0,-13	2.2
L1774.20-4250	20	4250	+0,-13	2.2
L1774.20-4300	20	4300	+0,-13	2.2
L1774.20-4350	20	4350	+0,-13	2.2
L1774.20-4400	20	4400	+0,-13	2.2
L1774.20-4450	20	4450	+0,-13	2.2
L1774.20-4500	20	4500	+0,-13	2.2
L1774.20-4550	20	4550	+0,-13	2.2
L1774.20-4600	20	4600	+0,-13	2.2
L1774.20-4650	20	4650	+0,-13	2.2
L1774.20-4700	20	4700	+0,-13	2.2
L1774.20-4750	20	4750	+0,-13	2.2
L1774.20-4800	20	4800	+0,-13	2.2
L1774.20-4850	20	4850	+0,-13	2.2
L1774.20-4900	20	4900	+0,-13	2.2

LINEAR SHAFT BARS



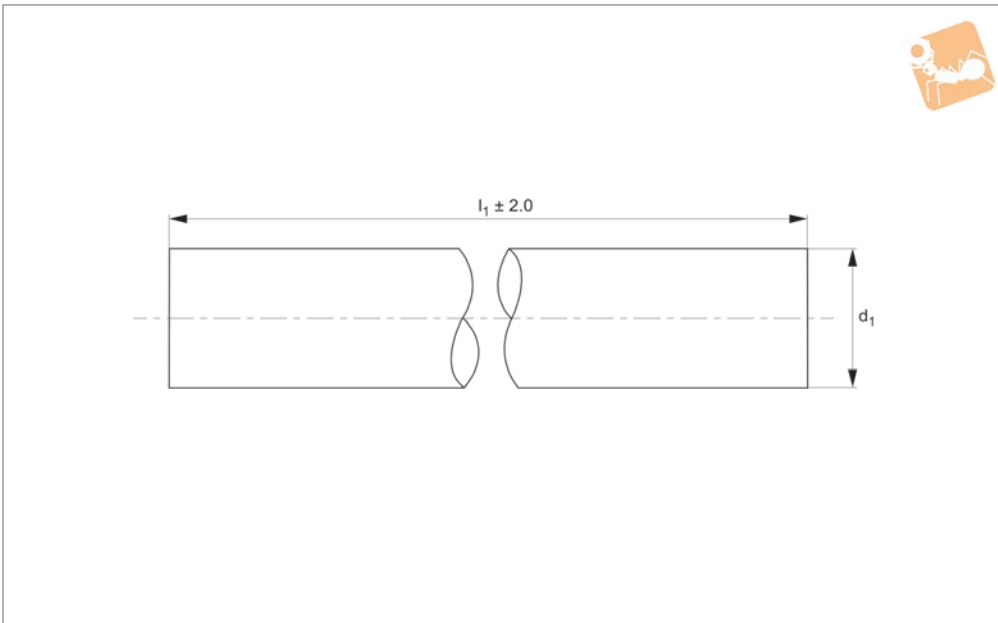
Order No.	d ₁ tol. h6	l ₁	Tolerance μ tol. h6	Depth of hardness
L1774.20-4950	20	4950	+0,-13	2.2
L1774.20-5000	20	5000	+0,-13	2.2
L1774.20-5050	20	5050	+0,-13	2.2
L1774.20-5100	20	5100	+0,-13	2.2
L1774.20-5150	20	5150	+0,-13	2.2
L1774.20-5200	20	5200	+0,-13	2.2
L1774.20-5250	20	5250	+0,-13	2.2
L1774.20-5300	20	5300	+0,-13	2.2
L1774.20-5350	20	5350	+0,-13	2.2
L1774.20-5400	20	5400	+0,-13	2.2
L1774.20-5450	20	5450	+0,-13	2.2
L1774.20-5500	20	5500	+0,-13	2.2
L1774.20-5550	20	5550	+0,-13	2.2
L1774.20-5600	20	5600	+0,-13	2.2
L1774.20-5650	20	5650	+0,-13	2.2
L1774.20-5700	20	5700	+0,-13	2.2
L1774.20-5750	20	5750	+0,-13	2.2
L1774.20-5800	20	5800	+0,-13	2.2
L1774.20-5850	20	5850	+0,-13	2.2
L1774.20-5900	20	5900	+0,-13	2.2
L1774.20-5950	20	5950	+0,-13	2.2
L1774.20-6000	20	6000	+0,-13	2.2



25Ø Stainless AISI 316 Shafts

soft

Linear Shaft Bars



L1774.25

LINEAR SHAFT BARS

Material

Stainless steel (AISI 316, A4). Surface finish 0.3-0.6µ Ra, ground and polished to 8-12 cla.

Yield stress: >205 N/mm², tensile strength: >515 N/mm².

Technical Notes

Tolerance, h6 standard, other tolerances

on request.
Straightness 0,1mm/m.

Tips

Modifications, drilled and tapped holes, circlip grooves, special coatings etc. available.

Shafts lengths are cut to typically ± 2mm.
To be used with ceramic or other bearings

not containing hardened ball bearings.

Order No.	d ₁ tol. h6	l ₁	Tolerance µ tol. h6	Depth of hardness
L1774.25-0100	25	100	+0,-13	2.2
L1774.25-0150	25	150	+0,-13	2.2
L1774.25-0200	25	200	+0,-13	2.2
L1774.25-0250	25	250	+0,-13	2.2
L1774.25-0300	25	300	+0,-13	2.2
L1774.25-0350	25	350	+0,-13	2.2
L1774.25-0400	25	400	+0,-13	2.2
L1774.25-0450	25	450	+0,-13	2.2
L1774.25-0500	25	500	+0,-13	2.2
L1774.25-0550	25	550	+0,-13	2.2
L1774.25-0600	25	600	+0,-13	2.2
L1774.25-0650	25	650	+0,-13	2.2
L1774.25-0700	25	700	+0,-13	2.2
L1774.25-0750	25	750	+0,-13	2.2
L1774.25-0800	25	800	+0,-13	2.2
L1774.25-0850	25	852	+0,-13	2.2
L1774.25-0900	25	900	+0,-13	2.2
L1774.25-0950	25	950	+0,-13	2.2
L1774.25-1000	25	1000	+0,-13	2.2
L1774.25-1050	25	1050	+0,-13	2.2
L1774.25-1100	25	1100	+0,-13	2.2
L1774.25-1150	25	1150	+0,-13	2.2
L1774.25-1200	25	1200	+0,-13	2.2
L1774.25-1250	25	1250	+0,-13	2.2
L1774.25-1300	25	1300	+0,-13	2.2
L1774.25-1350	25	1350	+0,-13	2.2
L1774.25-1400	25	1400	+0,-13	2.2
L1774.25-1450	25	1450	+0,-13	2.2
L1774.25-1500	25	1500	+0,-13	2.2



Order No.	d ₁ tol. h6	l ₁	Tolerance μ tol. h6	Depth of hardness
L1774.25-1550	25	1550	+0,-13	2.2
L1774.25-1600	25	1600	+0,-13	2.2
L1774.25-1650	25	1650	+0,-13	2.2
L1774.25-1700	25	1700	+0,-13	2.2
L1774.25-1750	25	1750	+0,-13	2.2
L1774.25-1800	25	1800	+0,-13	2.2
L1774.25-1850	25	1850	+0,-13	2.2
L1774.25-1900	25	1900	+0,-13	2.2
L1774.25-1950	25	1950	+0,-13	2.2
L1774.25-2000	25	2000	+0,-13	2.2
L1774.25-2050	25	2050	+0,-13	2.2
L1774.25-2100	25	2100	+0,-13	2.2
L1774.25-2150	25	2150	+0,-13	2.2
L1774.25-2200	25	2200	+0,-13	2.2
L1774.25-2250	25	2250	+0,-13	2.2
L1774.25-2300	25	2300	+0,-13	2.2
L1774.25-2350	25	2350	+0,-13	2.2
L1774.25-2400	25	2400	+0,-13	2.2
L1774.25-2450	25	2450	+0,-13	2.2
L1774.25-2500	25	2500	+0,-13	2.2
L1774.25-2550	25	2550	+0,-13	2.2
L1774.25-2600	25	2600	+0,-13	2.2
L1774.25-2650	25	2650	+0,-13	2.2
L1774.25-2700	25	2700	+0,-13	2.2
L1774.25-2750	25	2750	+0,-13	2.2
L1774.25-2800	25	2800	+0,-13	2.2
L1774.25-2850	25	2850	+0,-13	2.2
L1774.25-2900	25	2900	+0,-13	2.2
L1774.25-2950	25	2950	+0,-13	2.2
L1774.25-3000	25	3000	+0,-13	2.2
L1774.25-3050	25	3050	+0,-13	2.2
L1774.25-3100	25	3100	+0,-13	2.2
L1774.25-3150	25	3150	+0,-13	2.2
L1774.25-3200	25	3200	+0,-13	2.2
L1774.25-3250	25	3250	+0,-13	2.2
L1774.25-3300	25	3300	+0,-13	2.2
L1774.25-3350	25	3350	+0,-13	2.2
L1774.25-3400	25	3400	+0,-13	2.2
L1774.25-3450	25	3450	+0,-13	2.2
L1774.25-3500	25	3500	+0,-13	2.2
L1774.25-3550	25	3550	+0,-13	2.2
L1774.25-3600	25	3600	+0,-13	2.2
L1774.25-3650	25	3650	+0,-13	2.2
L1774.25-3700	25	3700	+0,-13	2.2
L1774.25-3750	25	3750	+0,-13	2.2
L1774.25-3800	25	3800	+0,-13	2.2
L1774.25-3850	25	3850	+0,-13	2.2
L1774.25-3900	25	3900	+0,-13	2.2
L1774.25-3950	25	3950	+0,-13	2.2
L1774.25-4000	25	4000	+0,-13	2.2
L1774.25-4050	25	4050	+0,-13	2.2
L1774.25-4100	25	4100	+0,-13	2.2
L1774.25-4150	25	4150	+0,-13	2.2
L1774.25-4200	25	4200	+0,-13	2.2
L1774.25-4250	25	4250	+0,-13	2.2
L1774.25-4300	25	4300	+0,-13	2.2
L1774.25-4350	25	4350	+0,-13	2.2
L1774.25-4400	25	4400	+0,-13	2.2
L1774.25-4450	25	4450	+0,-13	2.2
L1774.25-4500	25	4500	+0,-13	2.2
L1774.25-4550	25	4550	+0,-13	2.2
L1774.25-4600	25	4600	+0,-13	2.2
L1774.25-4650	25	4650	+0,-13	2.2
L1774.25-4700	25	4700	+0,-13	2.2
L1774.25-4750	25	4750	+0,-13	2.2
L1774.25-4800	25	4800	+0,-13	2.2
L1774.25-4850	25	4850	+0,-13	2.2
L1774.25-4900	25	4900	+0,-13	2.2



25Ø Stainless AISI 316 Shafts

soft

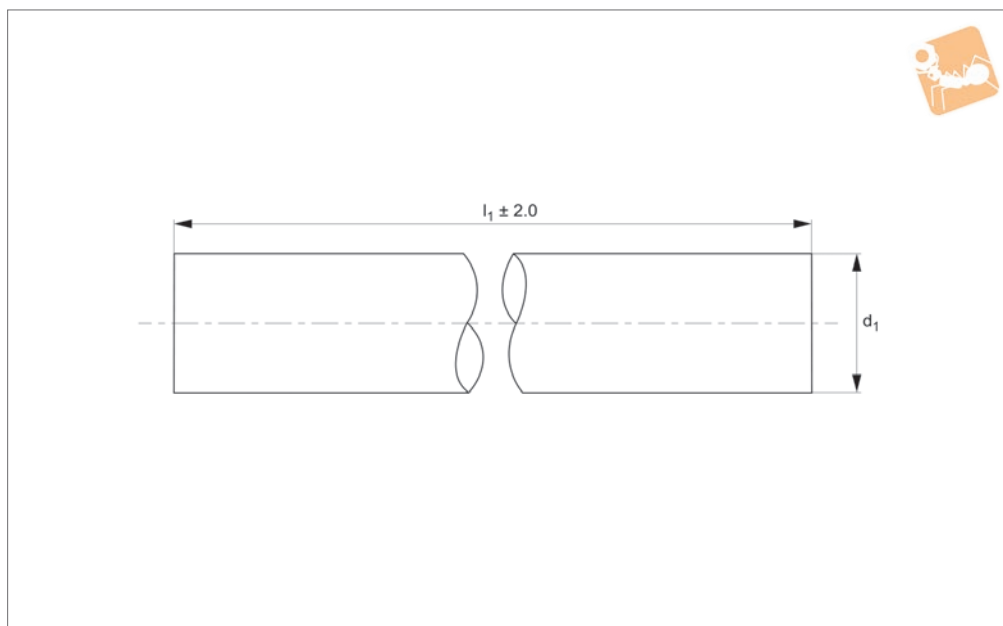
Linear Shaft Bars

Order No.	d_1 tol. h6	l_1	Tolerance μ tol. h6	Depth of hardness
L1774.25-4950	25	4950	+0,-13	2.2
L1774.25-5000	25	5000	+0,-13	2.2
L1774.25-5050	25	5050	+0,-13	2.2
L1774.25-5100	25	5100	+0,-13	2.2
L1774.25-5150	25	5150	+0,-13	2.2
L1774.25-5200	25	5200	+0,-13	2.2
L1774.25-5250	25	5250	+0,-13	2.2
L1774.25-5300	25	5300	+0,-13	2.2
L1774.25-5350	25	5350	+0,-13	2.2
L1774.25-5400	25	5400	+0,-13	2.2
L1774.25-5450	25	5450	+0,-13	2.2
L1774.25-5500	25	5500	+0,-13	2.2
L1774.25-5550	25	5550	+0,-13	2.2
L1774.25-5600	25	5600	+0,-13	2.2
L1774.25-5650	25	5650	+0,-13	2.2
L1774.25-5700	25	5700	+0,-13	2.2
L1774.25-5750	25	5750	+0,-13	2.2
L1774.25-5800	25	5800	+0,-13	2.2
L1774.25-5850	25	5850	+0,-13	2.2
L1774.25-5900	25	5900	+0,-13	2.2
L1774.25-5950	25	5950	+0,-13	2.2
L1774.25-6000	25	6000	+0,-13	2.2

LINEAR SHAFT BARS



L1774.30



Material

Stainless steel (AISI 316, A4). Surface finish 0.3-0.6µ Ra, ground and polished to 8-12 cla.
Yield stress: >205 N/mm², tensile strength: >515 N/mm².

Technical Notes

Tolerance, h6 standard, other tolerances

on request.
Straightness 0,1mm/m.

Tips

Modifications, drilled and tapped holes, circlip grooves, special coatings etc. available.

Shafts lengths are cut to typically ± 2mm.
To be used with ceramic or other bearings

not containing hardened ball bearings.

Order No.	d ₁ tol. h6	l ₁	Tolerance µ tol. h6	Depth of hardness
L1774.30-0100	30	100	+0,-13	2.2
L1774.30-0150	30	150	+0,-13	2.2
L1774.30-0200	30	200	+0,-13	2.2
L1774.30-0250	30	250	+0,-13	2.2
L1774.30-0300	30	300	+0,-13	2.2
L1774.30-0350	30	350	+0,-13	2.2
L1774.30-0400	30	400	+0,-13	2.2
L1774.30-0450	30	450	+0,-13	2.2
L1774.30-0500	30	500	+0,-13	2.2
L1774.30-0550	30	550	+0,-13	2.2
L1774.30-0600	30	600	+0,-13	2.2
L1774.30-0650	30	650	+0,-13	2.2
L1774.30-0700	30	700	+0,-13	2.2
L1774.30-0750	30	750	+0,-13	2.2
L1774.30-0800	30	800	+0,-13	2.2
L1774.30-0850	30	850	+0,-13	2.2
L1774.30-0900	30	900	+0,-13	2.2
L1774.30-0950	30	950	+0,-13	2.2
L1774.30-1000	30	1000	+0,-13	2.2
L1774.30-1050	30	1050	+0,-13	2.2
L1774.30-1100	30	1100	+0,-13	2.2
L1774.30-1150	30	1150	+0,-13	2.2
L1774.30-1200	30	1200	+0,-13	2.2
L1774.30-1250	30	1250	+0,-13	2.2
L1774.30-1300	30	1300	+0,-13	2.2
L1774.30-1350	30	1350	+0,-13	2.2
L1774.30-1400	30	1400	+0,-13	2.2
L1774.30-1450	30	1450	+0,-13	2.2
L1774.30-1500	30	1500	+0,-13	2.2



30Ø Stainless AISI 316 Shafts

soft

Linear Shaft Bars

Order No.	d ₁ tol. h6	l ₁	Tolerance μ tol. h6	Depth of hardness
L1774.30-1550	30	1550	+0,-13	2.2
L1774.30-1600	30	1600	+0,-13	2.2
L1774.30-1650	30	1650	+0,-13	2.2
L1774.30-1700	30	1700	+0,-13	2.2
L1774.30-1750	30	1750	+0,-13	2.2
L1774.30-1800	30	1800	+0,-13	2.2
L1774.30-1850	30	1850	+0,-13	2.2
L1774.30-1900	30	1900	+0,-13	2.2
L1774.30-1950	30	1950	+0,-13	2.2
L1774.30-2000	30	2000	+0,-13	2.2
L1774.30-2050	30	2050	+0,-13	2.2
L1774.30-2100	30	2100	+0,-13	2.2
L1774.30-2150	30	2150	+0,-13	2.2
L1774.30-2200	30	2200	+0,-13	2.2
L1774.30-2250	30	2250	+0,-13	2.2
L1774.30-2300	30	2300	+0,-13	2.2
L1774.30-2350	30	2350	+0,-13	2.2
L1774.30-2400	30	2400	+0,-13	2.2
L1774.30-2450	30	2450	+0,-13	2.2
L1774.30-2500	30	2500	+0,-13	2.2
L1774.30-2550	30	2550	+0,-13	2.2
L1774.30-2600	30	2600	+0,-13	2.2
L1774.30-2650	30	2650	+0,-13	2.2
L1774.30-2700	30	2700	+0,-13	2.2
L1774.30-2750	30	2750	+0,-13	2.2
L1774.30-2800	30	2800	+0,-13	2.2
L1774.30-2850	30	2850	+0,-13	2.2
L1774.30-2900	30	2900	+0,-13	2.2
L1774.30-2950	30	2950	+0,-13	2.2
L1774.30-3000	30	3000	+0,-13	2.2
L1774.30-3050	30	3050	+0,-13	2.2
L1774.30-3100	30	3100	+0,-13	2.2
L1774.30-3150	30	3150	+0,-13	2.2
L1774.30-3200	30	3200	+0,-13	2.2
L1774.30-3250	30	3250	+0,-13	2.2
L1774.30-3300	30	3300	+0,-13	2.2
L1774.30-3350	30	3350	+0,-13	2.2
L1774.30-3400	30	3400	+0,-13	2.2
L1774.30-3450	30	3450	+0,-13	2.2
L1774.30-3500	30	3500	+0,-13	2.2
L1774.30-3550	30	3550	+0,-13	2.2
L1774.30-3600	30	3600	+0,-13	2.2
L1774.30-3650	30	3650	+0,-13	2.2
L1774.30-3700	30	3700	+0,-13	2.2
L1774.30-3750	30	3750	+0,-13	2.2
L1774.30-3800	30	3800	+0,-13	2.2
L1774.30-3850	30	3850	+0,-13	2.2
L1774.30-3900	30	3900	+0,-13	2.2
L1774.30-3950	30	3950	+0,-13	2.2
L1774.30-4000	30	4000	+0,-13	2.2
L1774.30-4050	30	4050	+0,-13	2.2
L1774.30-4100	30	4100	+0,-13	2.2
L1774.30-4150	30	4150	+0,-13	2.2
L1774.30-4200	30	4200	+0,-13	2.2
L1774.30-4250	30	4250	+0,-13	2.2
L1774.30-4300	30	4300	+0,-13	2.2
L1774.30-4350	30	4350	+0,-13	2.2
L1774.30-4400	30	4400	+0,-13	2.2
L1774.30-4450	30	4450	+0,-13	2.2
L1774.30-4500	30	4500	+0,-13	2.2
L1774.30-4550	30	4550	+0,-13	2.2
L1774.30-4600	30	4600	+0,-13	2.2
L1774.30-4650	30	4650	+0,-13	2.2
L1774.30-4700	30	4700	+0,-13	2.2
L1774.30-4750	30	4750	+0,-13	2.2
L1774.30-4800	30	4800	+0,-13	2.2
L1774.30-4850	30	4850	+0,-13	2.2
L1774.30-4900	30	4900	+0,-13	2.2

LINEAR SHAFT BARS



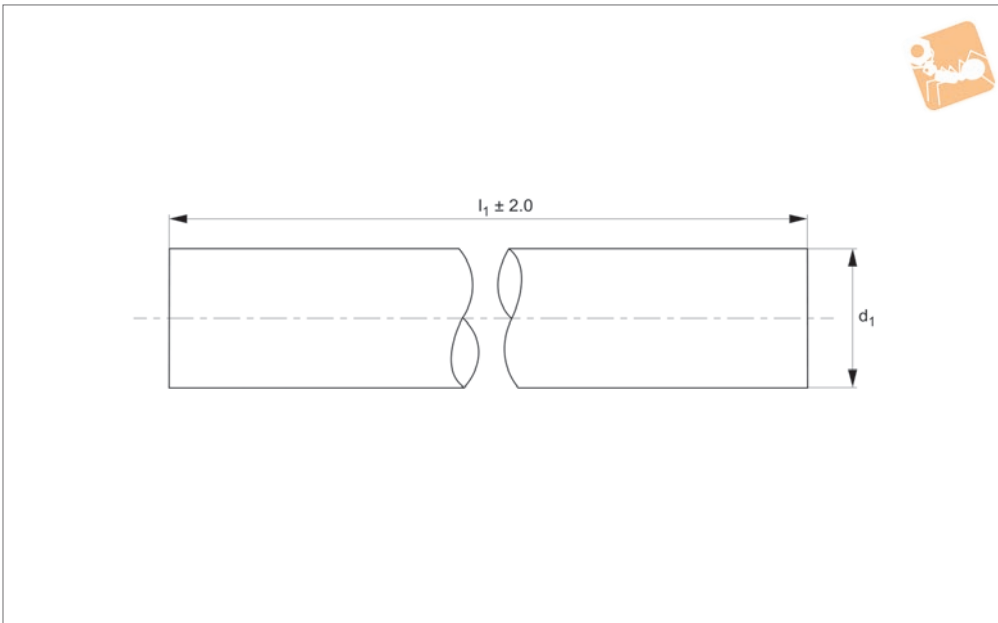
Order No.	d ₁ tol. h6	l ₁	Tolerance μ tol. h6	Depth of hardness
L1774.30-4950	30	4950	+0,-13	2.2
L1774.30-5000	30	5000	+0,-13	2.2
L1774.30-5050	30	5050	+0,-13	2.2
L1774.30-5100	30	5100	+0,-13	2.2
L1774.30-5150	30	5150	+0,-13	2.2
L1774.30-5200	30	5200	+0,-13	2.2
L1774.30-5250	30	5250	+0,-13	2.2
L1774.30-5300	30	5300	+0,-13	2.2
L1774.30-5350	30	5350	+0,-13	2.2
L1774.30-5400	30	5400	+0,-13	2.2
L1774.30-5450	30	5450	+0,-13	2.2
L1774.30-5500	30	5500	+0,-13	2.2
L1774.30-5550	30	5550	+0,-13	2.2
L1774.30-5600	30	5600	+0,-13	2.2
L1774.30-5650	30	5650	+0,-13	2.2
L1774.30-5700	30	5700	+0,-13	2.2
L1774.30-5750	30	5750	+0,-13	2.2
L1774.30-5800	30	5800	+0,-13	2.2
L1774.30-5850	30	5850	+0,-13	2.2
L1774.30-5900	30	5900	+0,-13	2.2
L1774.30-5950	30	5950	+0,-13	2.2
L1774.30-6000	30	6000	+0,-13	2.2



40Ø Stainless AISI 316 Shafts

soft

Linear Shaft Bars



L1774.40

LINEAR SHAFT BARS

Material

Stainless steel (AISI 316, A4). Surface finish 0.3-0.6µ Ra, ground and polished to 8-12 cla.

Yield stress: >205 N/mm², tensile strength: >515 N/mm².

Technical Notes

Tolerance, h6 standard, other tolerances

on request.

Straightness 0,1mm/m.

Tips

Modifications, drilled and tapped holes, circlip grooves, special coatings etc. available.

Shafts lengths are cut to typically ± 2mm. To be used with ceramic or other bearings

not containing hardened ball bearings.

Order No.	d ₁ tol. h6	l ₁	Tolerance µ tol. h6	Depth of hardness
L1774.40-0100	40	100	+0,-16	3.5
L1774.40-0150	40	150	+0,-16	3.5
L1774.40-0200	40	200	+0,-16	3.5
L1774.40-0250	40	250	+0,-16	3.5
L1774.40-0300	40	300	+0,-16	3.5
L1774.40-0350	40	350	+0,-16	3.5
L1774.40-0400	40	400	+0,-16	3.5
L1774.40-0450	40	450	+0,-16	3.5
L1774.40-0500	40	500	+0,-16	3.5
L1774.40-0550	40	550	+0,-16	3.5
L1774.40-0600	40	600	+0,-16	3.5
L1774.40-0650	40	650	+0,-16	3.5
L1774.40-0700	40	700	+0,-16	3.5
L1774.40-0750	40	750	+0,-16	3.5
L1774.40-0800	40	800	+0,-16	3.5
L1774.40-0850	40	850	+0,-16	3.5
L1774.40-0900	40	900	+0,-16	3.5
L1774.40-0950	40	950	+0,-16	3.5
L1774.40-1000	40	1000	+0,-16	3.5
L1774.40-1050	40	1050	+0,-16	3.5
L1774.40-1100	40	1100	+0,-16	3.5
L1774.40-1150	40	1150	+0,-16	3.5
L1774.40-1200	40	1200	+0,-16	3.5
L1774.40-1250	40	1250	+0,-16	3.5
L1774.40-1300	40	1300	+0,-16	3.5
L1774.40-1350	40	1350	+0,-16	3.5
L1774.40-1400	40	1400	+0,-16	3.5
L1774.40-1450	40	1450	+0,-16	3.5
L1774.40-1500	40	1500	+0,-16	3.5



Order No.	d ₁ tol. h6	l ₁	Tolerance μ tol. h6	Depth of hardness
L1774.40-1550	40	1550	+0,-16	3.5
L1774.40-1600	40	1600	+0,-16	3.5
L1774.40-1650	40	1650	+0,-16	3.5
L1774.40-1700	40	1700	+0,-16	3.5
L1774.40-1750	40	1750	+0,-16	3.5
L1774.40-1800	40	1800	+0,-16	3.5
L1774.40-1850	40	1850	+0,-16	3.5
L1774.40-1900	40	1900	+0,-16	3.5
L1774.40-1950	40	1950	+0,-16	3.5
L1774.40-2000	40	2000	+0,-16	3.5
L1774.40-2050	40	2050	+0,-16	3.5
L1774.40-2100	40	2100	+0,-16	3.5
L1774.40-2150	40	2150	+0,-16	3.5
L1774.40-2200	40	2200	+0,-16	3.5
L1774.40-2250	40	2250	+0,-16	3.5
L1774.40-2300	40	2300	+0,-16	3.5
L1774.40-2350	40	2350	+0,-16	3.5
L1774.40-2400	40	2400	+0,-16	3.5
L1774.40-2450	40	2450	+0,-16	3.5
L1774.40-2500	40	2500	+0,-16	3.5
L1774.40-2550	40	2550	+0,-16	3.5
L1774.40-2600	40	2600	+0,-16	3.5
L1774.40-2650	40	2650	+0,-16	3.5
L1774.40-2700	40	2700	+0,-16	3.5
L1774.40-2750	40	2750	+0,-16	3.5
L1774.40-2800	40	2800	+0,-16	3.5
L1774.40-2850	40	2850	+0,-16	3.5
L1774.40-2900	40	2900	+0,-16	3.5
L1774.40-2950	40	2950	+0,-16	3.5
L1774.40-3000	40	3000	+0,-16	3.5
L1774.40-3050	40	3050	+0,-16	3.5
L1774.40-3100	40	3100	+0,-16	3.5
L1774.40-3150	40	3150	+0,-16	3.5
L1774.40-3200	40	3200	+0,-16	3.5
L1774.40-3250	40	3250	+0,-16	3.5
L1774.40-3300	40	3300	+0,-16	3.5
L1774.40-3350	40	3350	+0,-16	3.5
L1774.40-3400	40	3400	+0,-16	3.5
L1774.40-3450	40	3450	+0,-16	3.5
L1774.40-3500	40	3500	+0,-16	3.5
L1774.40-3550	40	3550	+0,-16	3.5
L1774.40-3600	40	3600	+0,-16	3.5
L1774.40-3650	40	3650	+0,-16	3.5
L1774.40-3700	40	3700	+0,-16	3.5
L1774.40-3750	40	3750	+0,-16	3.5
L1774.40-3800	40	3800	+0,-16	3.5
L1774.40-3850	40	3850	+0,-16	3.5
L1774.40-3900	40	3900	+0,-16	3.5
L1774.40-3950	40	3950	+0,-16	3.5
L1774.40-4000	40	4000	+0,-16	3.5
L1774.40-4050	40	4050	+0,-16	3.5
L1774.40-4100	40	4100	+0,-16	3.5
L1774.40-4150	40	4150	+0,-16	3.5
L1774.40-4200	40	4200	+0,-16	3.5
L1774.40-4250	40	4250	+0,-16	3.5
L1774.40-4300	40	4300	+0,-16	3.5
L1774.40-4350	40	4350	+0,-16	3.5
L1774.40-4400	40	4400	+0,-16	3.5
L1774.40-4450	40	4450	+0,-16	3.5
L1774.40-4500	40	4500	+0,-16	3.5
L1774.40-4550	40	4550	+0,-16	3.5
L1774.40-4600	40	4600	+0,-16	3.5
L1774.40-4650	40	4650	+0,-16	3.5
L1774.40-4700	40	4700	+0,-16	3.5
L1774.40-4750	40	4750	+0,-16	3.5
L1774.40-4800	40	4800	+0,-16	3.5
L1774.40-4850	40	4850	+0,-16	3.5
L1774.40-4900	40	4900	+0,-16	3.5



40Ø Stainless AISI 316 Shafts

soft

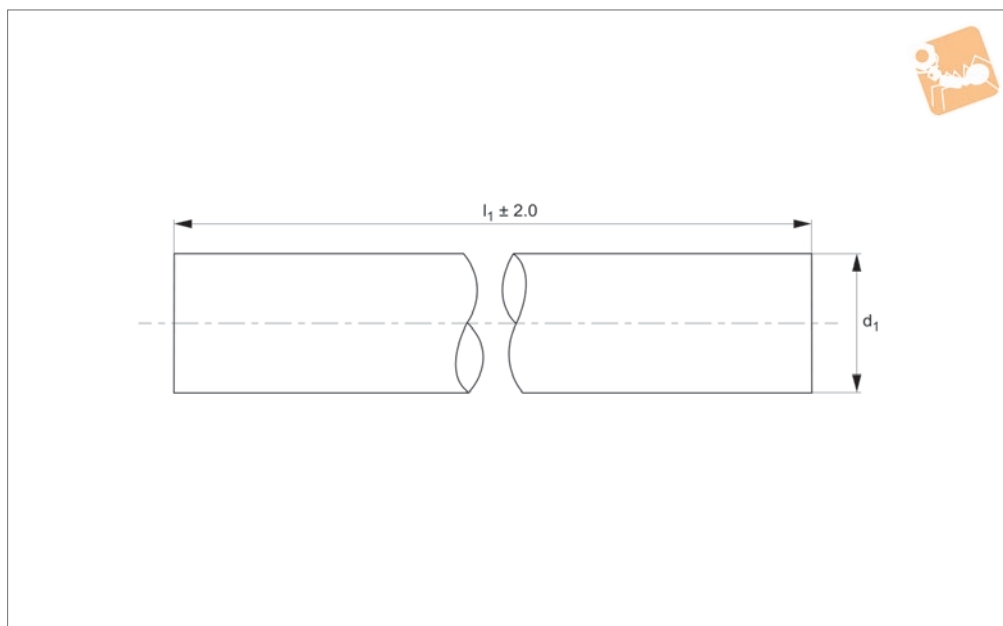
Linear Shaft Bars

Order No.	d_1 tol. h6	l_1	Tolerance μ tol. h6	Depth of hardness
L1774.40-4950	40	4950	+0,-16	3.5
L1774.40-5000	40	5000	+0,-16	3.5
L1774.40-5050	40	5050	+0,-16	3.5
L1774.40-5100	40	5100	+0,-16	3.5
L1774.40-5150	40	5150	+0,-16	3.5
L1774.40-5200	40	5200	+0,-16	3.5
L1774.40-5250	40	5250	+0,-16	3.5
L1774.40-5300	40	5300	+0,-16	3.5
L1774.40-5350	40	5350	+0,-16	3.5
L1774.40-5400	40	5400	+0,-16	3.5
L1774.40-5450	40	5450	+0,-16	3.5
L1774.40-5500	40	5500	+0,-16	3.5
L1774.40-5550	40	5550	+0,-16	3.5
L1774.40-5600	40	5600	+0,-16	3.5
L1774.40-5650	40	5650	+0,-16	3.5
L1774.40-5700	40	5700	+0,-16	3.5
L1774.40-5750	40	5750	+0,-16	3.5
L1774.40-5800	40	5800	+0,-16	3.5
L1774.40-5850	40	5850	+0,-16	3.5
L1774.40-5900	40	5900	+0,-16	3.5
L1774.40-5950	40	5950	+0,-16	3.5
L1774.40-6000	40	6000	+0,-16	3.5

LINEAR SHAFT BARS



L1774.50



Material

Stainless steel (AISI 316, A4). Surface finish 0.3-0.6µ Ra, ground and polished to 8-12 cla.
Yield stress: >205 N/mm², tensile strength: >515 N/mm².

Technical Notes

Tolerance, h6 standard, other tolerances

on request.
Straightness 0,1mm/m.

Tips

Modifications, drilled and tapped holes, circlip grooves, special coatings etc. available.
Shafts lengths are cut to typically ± 2mm.
To be used with ceramic or other bearings

not containing hardened ball bearings.

Order No.	d ₁ tol. h6	l ₁	Tolerance µ tol. h6	Depth of hardness
L1774.50-0100	50	100	+0,-16	3.5
L1774.50-0150	50	150	+0,-16	3.5
L1774.50-0200	50	200	+0,-16	3.5
L1774.50-0250	50	250	+0,-16	3.5
L1774.50-0300	50	300	+0,-16	3.5
L1774.50-0350	50	350	+0,-16	3.5
L1774.50-0400	50	400	+0,-16	3.5
L1774.50-0450	50	450	+0,-16	3.5
L1774.50-0500	50	500	+0,-16	3.5
L1774.50-0550	50	550	+0,-16	3.5
L1774.50-0600	50	600	+0,-16	3.5
L1774.50-0650	50	650	+0,-16	3.5
L1774.50-0700	50	700	+0,-16	3.5
L1774.50-0750	50	750	+0,-16	3.5
L1774.50-0800	50	800	+0,-16	3.5
L1774.50-0850	50	850	+0,-16	3.5
L1774.50-0900	50	900	+0,-16	3.5
L1774.50-1000	50	1000	+0,-16	3.5
L1774.50-1050	50	1050	+0,-16	3.5
L1774.50-1100	50	1100	+0,-16	3.5
L1774.50-1150	50	1150	+0,-16	3.5
L1774.50-1200	50	1200	+0,-16	3.5
L1774.50-1250	50	1250	+0,-16	3.5
L1774.50-1300	50	1300	+0,-16	3.5
L1774.50-1350	50	1350	+0,-16	3.5
L1774.50-1400	50	1400	+0,-16	3.5
L1774.50-1450	50	1450	+0,-16	3.5
L1774.50-1500	50	1500	+0,-16	3.5
L1774.50-1550	50	1550	+0,-16	3.5



50Ø Stainless AISI 316 Shafts

soft

Linear Shaft
Bars

Order No.	d ₁ tol. h6	l ₁	Tolerance μ tol. h6	Depth of hardness
L1774.50-1600	50	1600	+0,-16	3.5
L1774.50-1650	50	1650	+0,-16	3.5
L1774.50-1700	50	1700	+0,-16	3.5
L1774.50-1750	50	1750	+0,-16	3.5
L1774.50-1800	50	1800	+0,-16	3.5
L1774.50-1850	50	1850	+0,-16	3.5
L1774.50-1900	50	1900	+0,-16	3.5
L1774.50-1950	50	1950	+0,-16	3.5
L1774.50-2000	50	2000	+0,-16	3.5
L1774.50-2050	50	2050	+0,-16	3.5
L1774.50-2100	50	2100	+0,-16	3.5
L1774.50-2150	50	2150	+0,-16	3.5
L1774.50-2200	50	2200	+0,-16	3.5
L1774.50-2250	50	2250	+0,-16	3.5
L1774.50-2300	50	2300	+0,-16	3.5
L1774.50-2350	50	2350	+0,-16	3.5
L1774.50-2400	50	2400	+0,-16	3.5
L1774.50-2450	50	2450	+0,-16	3.5
L1774.50-2500	50	2500	+0,-16	3.5
L1774.50-2550	50	2550	+0,-16	3.5
L1774.50-2600	50	2600	+0,-16	3.5
L1774.50-2650	50	2650	+0,-16	3.5
L1774.50-2700	50	2700	+0,-16	3.5
L1774.50-2750	50	2750	+0,-16	3.5
L1774.50-2800	50	2800	+0,-16	3.5
L1774.50-2850	50	2850	+0,-16	3.5
L1774.50-2900	50	2900	+0,-16	3.5
L1774.50-2950	50	2950	+0,-16	3.5
L1774.50-3000	50	3000	+0,-16	3.5
L1774.50-3050	50	3050	+0,-16	3.5
L1774.50-3100	50	3100	+0,-16	3.5
L1774.50-3150	50	3150	+0,-16	3.5
L1774.50-3200	50	3200	+0,-16	3.5
L1774.50-3250	50	3250	+0,-16	3.5
L1774.50-3300	50	3300	+0,-16	3.5
L1774.50-3350	50	3350	+0,-16	3.5
L1774.50-3400	50	3400	+0,-16	3.5
L1774.50-3450	50	3450	+0,-16	3.5
L1774.50-3500	50	3500	+0,-16	3.5
L1774.50-3550	50	3550	+0,-16	3.5
L1774.50-3600	50	3600	+0,-16	3.5
L1774.50-3650	50	3650	+0,-16	3.5
L1774.50-3700	50	3700	+0,-16	3.5
L1774.50-3750	50	3750	+0,-16	3.5
L1774.50-3800	50	3800	+0,-16	3.5
L1774.50-3850	50	3850	+0,-16	3.5
L1774.50-3900	50	3900	+0,-16	3.5
L1774.50-3950	50	3950	+0,-16	3.5
L1774.50-4000	50	4000	+0,-16	3.5
L1774.50-4050	50	4050	+0,-16	3.5
L1774.50-4100	50	4100	+0,-16	3.5
L1774.50-4150	50	4150	+0,-16	3.5
L1774.50-4200	50	4200	+0,-16	3.5
L1774.50-4250	50	4250	+0,-16	3.5
L1774.50-4300	50	4300	+0,-16	3.5
L1774.50-4350	50	4350	+0,-16	3.5
L1774.50-4400	50	4400	+0,-16	3.5
L1774.50-4450	50	4450	+0,-16	3.5
L1774.50-4500	50	4500	+0,-16	3.5
L1774.50-4550	50	4550	+0,-16	3.5
L1774.50-4600	50	4600	+0,-16	3.5
L1774.50-4650	50	4650	+0,-16	3.5
L1774.50-4700	50	4700	+0,-16	3.5
L1774.50-4750	50	4750	+0,-16	3.5
L1774.50-4800	50	4800	+0,-16	3.5
L1774.50-4850	50	4850	+0,-16	3.5
L1774.50-4900	50	4900	+0,-16	3.5
L1774.50-4950	50	4950	+0,-16	3.5

LINEAR SHAFT BARS



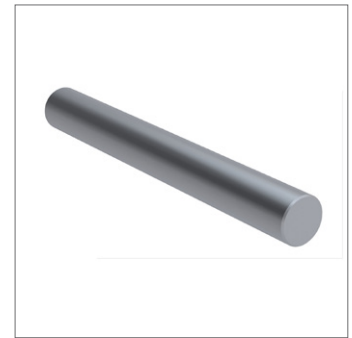
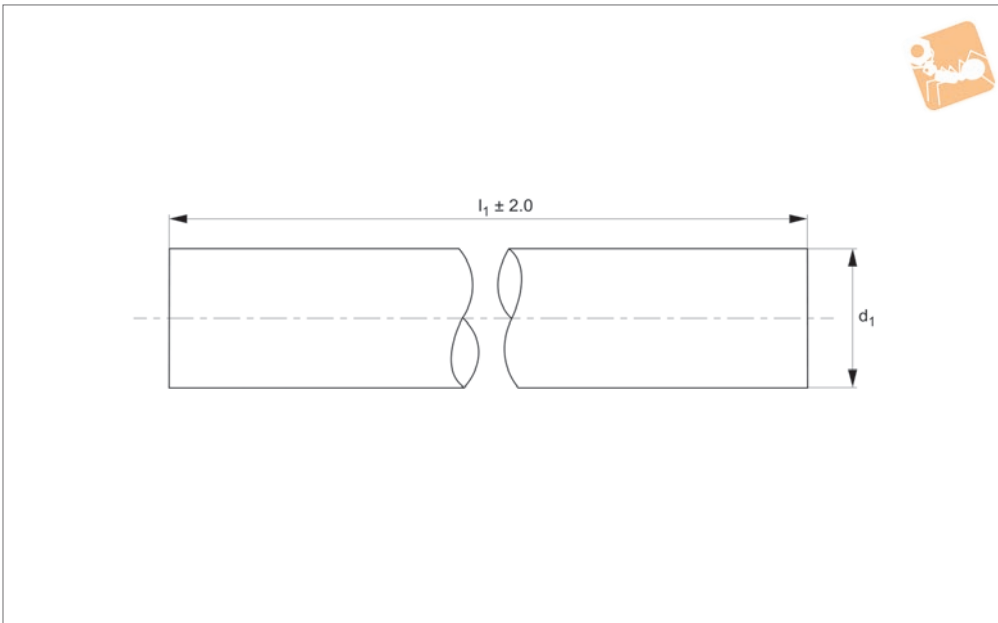
Order No.	d ₁ tol. h6	l ₁	Tolerance μ tol. h6	Depth of hardness
L1774.50-5000	50	5000	+0,-16	3.5
L1774.50-5050	50	5050	+0,-16	3.5
L1774.50-5100	50	5100	+0,-16	3.5
L1774.50-5150	50	5150	+0,-16	3.5
L1774.50-5200	50	5200	+0,-16	3.5
L1774.50-5250	50	5250	+0,-16	3.5
L1774.50-5300	50	5300	+0,-16	3.5
L1774.50-5350	50	5350	+0,-16	3.5
L1774.50-5400	50	5400	+0,-16	3.5
L1774.50-5450	50	5450	+0,-16	3.5
L1774.50-5500	50	5500	+0,-16	3.5
L1774.50-5550	50	5550	+0,-16	3.5
L1774.50-5600	50	5600	+0,-16	3.5
L1774.50-5650	50	5650	+0,-16	3.5
L1774.50-5700	50	5700	+0,-16	3.5
L1774.50-5750	50	5750	+0,-16	3.5
L1774.50-5800	50	5800	+0,-16	3.5
L1774.50-5850	50	5850	+0,-16	3.5
L1774.50-5900	50	5900	+0,-16	3.5
L1774.50-5950	50	5950	+0,-16	3.5
L1774.50-6000	50	6000	+0,-16	3.5



60Ø Stainless AISI 316 Shafts

soft

Linear Shaft Bars



L1774.60

LINEAR SHAFT BARS

Material

Stainless steel (AISI 316, A4). Surface finish 0.3-0.6µ Ra, ground and polished to 8-12 cla.

Yield stress: >205 N/mm², tensile strength: >515 N/mm².

Technical Notes

Tolerance, h6 standard, other tolerances

on request.
Straightness 0,1mm/m.

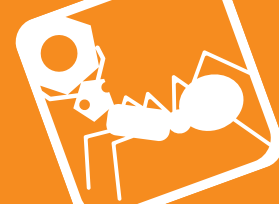
Tips

Modifications, drilled and tapped holes, circlip grooves, special coatings etc. available.

Shafts lengths are cut to typically ± 2mm.
To be used with ceramic or other bearings

not containing hardened ball bearings.

Order No.	d ₁ tol. h6	l ₁	Tolerance µ tol. h6	Depth of hardness
L1774.60-0100	60	100	+0,-19	3.5
L1774.60-0150	60	150	+0,-19	3.5
L1774.60-0200	60	200	+0,-19	3.5
L1774.60-0250	60	250	+0,-19	3.5
L1774.60-0300	60	300	+0,-19	3.5
L1774.60-0350	60	350	+0,-19	3.5
L1774.60-0400	60	400	+0,-19	3.5
L1774.60-0450	60	450	+0,-19	3.5
L1774.60-0500	60	500	+0,-19	3.5
L1774.60-0550	60	550	+0,-19	3.5
L1774.60-0600	60	600	+0,-19	3.5
L1774.60-0650	60	650	+0,-19	3.5
L1774.60-0700	60	700	+0,-19	3.5
L1774.60-0750	60	750	+0,-19	3.5
L1774.60-0800	60	800	+0,-19	3.5
L1774.60-0850	60	850	+0,-19	3.5
L1774.60-0900	60	900	+0,-19	3.5
L1774.60-0950	60	950	+0,-19	3.5
L1774.60-1000	60	1000	+0,-19	3.5
L1774.60-1050	60	1050	+0,-19	3.5
L1774.60-1100	60	1100	+0,-19	3.5
L1774.60-1150	60	1150	+0,-19	3.5
L1774.60-1200	60	1200	+0,-19	3.5
L1774.60-1250	60	1250	+0,-19	3.5
L1774.60-1300	60	1300	+0,-19	3.5
L1774.60-1350	60	1350	+0,-19	3.5
L1774.60-1400	60	1400	+0,-19	3.5
L1774.60-1450	60	1450	+0,-19	3.5
L1774.60-1500	60	1500	+0,-19	3.5



Order No.	d ₁ tol. h6	l ₁	Tolerance μ tol. h6	Depth of hardness
L1774.60-1550	60	1550	+0,-19	3.5
L1774.60-1600	60	1600	+0,-19	3.5
L1774.60-1650	60	1650	+0,-19	3.5
L1774.60-1700	60	1700	+0,-19	3.5
L1774.60-1750	60	1750	+0,-19	3.5
L1774.60-1800	60	1800	+0,-19	3.5
L1774.60-1850	60	1850	+0,-19	3.5
L1774.60-1900	60	1900	+0,-19	3.5
L1774.60-1950	60	1950	+0,-19	3.5
L1774.60-2000	60	2000	+0,-19	3.5
L1774.60-2050	60	2050	+0,-19	3.5
L1774.60-2100	60	2100	+0,-19	3.5
L1774.60-2150	60	2150	+0,-19	3.5
L1774.60-2200	60	2200	+0,-19	3.5
L1774.60-2250	60	2250	+0,-19	3.5
L1774.60-2300	60	2300	+0,-19	3.5
L1774.60-2350	60	2350	+0,-19	3.5
L1774.60-2400	60	2400	+0,-19	3.5
L1774.60-2450	60	2450	+0,-19	3.5
L1774.60-2500	60	2500	+0,-19	3.5
L1774.60-2550	60	2550	+0,-19	3.5
L1774.60-2600	60	2600	+0,-19	3.5
L1774.60-2650	60	2650	+0,-19	3.5
L1774.60-2700	60	2700	+0,-19	3.5
L1774.60-2750	60	2750	+0,-19	3.5
L1774.60-2800	60	2800	+0,-19	3.5
L1774.60-2850	60	2850	+0,-19	3.5
L1774.60-2900	60	2900	+0,-19	3.5
L1774.60-2950	60	2950	+0,-19	3.5
L1774.60-3000	60	3000	+0,-19	3.5
L1774.60-3050	60	3050	+0,-19	3.5
L1774.60-3100	60	3100	+0,-19	3.5
L1774.60-3150	60	3150	+0,-19	3.5
L1774.60-3200	60	3200	+0,-19	3.5
L1774.60-3250	60	3250	+0,-19	3.5
L1774.60-3300	60	3300	+0,-19	3.5
L1774.60-3350	60	3350	+0,-19	3.5
L1774.60-3400	60	3400	+0,-19	3.5
L1774.60-3450	60	3450	+0,-19	3.5
L1774.60-3500	60	3500	+0,-19	3.5
L1774.60-3550	60	3550	+0,-19	3.5
L1774.60-3600	60	3600	+0,-19	3.5
L1774.60-3650	60	3650	+0,-19	3.5
L1774.60-3700	60	3700	+0,-19	3.5
L1774.60-3750	60	3750	+0,-19	3.5
L1774.60-3800	60	3800	+0,-19	3.5
L1774.60-3850	60	3850	+0,-19	3.5
L1774.60-3900	60	3900	+0,-19	3.5
L1774.60-3950	60	3950	+0,-19	3.5
L1774.60-4000	60	4000	+0,-19	3.5
L1774.60-4050	60	4050	+0,-19	3.5
L1774.60-4100	60	4100	+0,-19	3.5
L1774.60-4150	60	4150	+0,-19	3.5
L1774.60-4200	60	4200	+0,-19	3.5
L1774.60-4250	60	4250	+0,-19	3.5
L1774.60-4300	60	4300	+0,-19	3.5
L1774.60-4350	60	4350	+0,-19	3.5
L1774.60-4400	60	4400	+0,-19	3.5
L1774.60-4450	60	4450	+0,-19	3.5
L1774.60-4500	60	4500	+0,-19	3.5
L1774.60-4550	60	4550	+0,-19	3.5
L1774.60-4600	60	4600	+0,-19	3.5
L1774.60-4650	60	4650	+0,-19	3.5
L1774.60-4700	60	4700	+0,-19	3.5
L1774.60-4750	60	4750	+0,-19	3.5
L1774.60-4800	60	4800	+0,-19	3.5
L1774.60-4850	60	4850	+0,-19	3.5
L1774.60-4900	60	4900	+0,-19	3.5



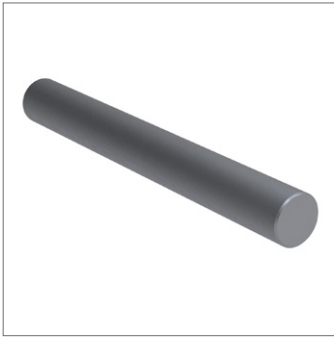
60Ø Stainless AISI 316 Shafts

soft

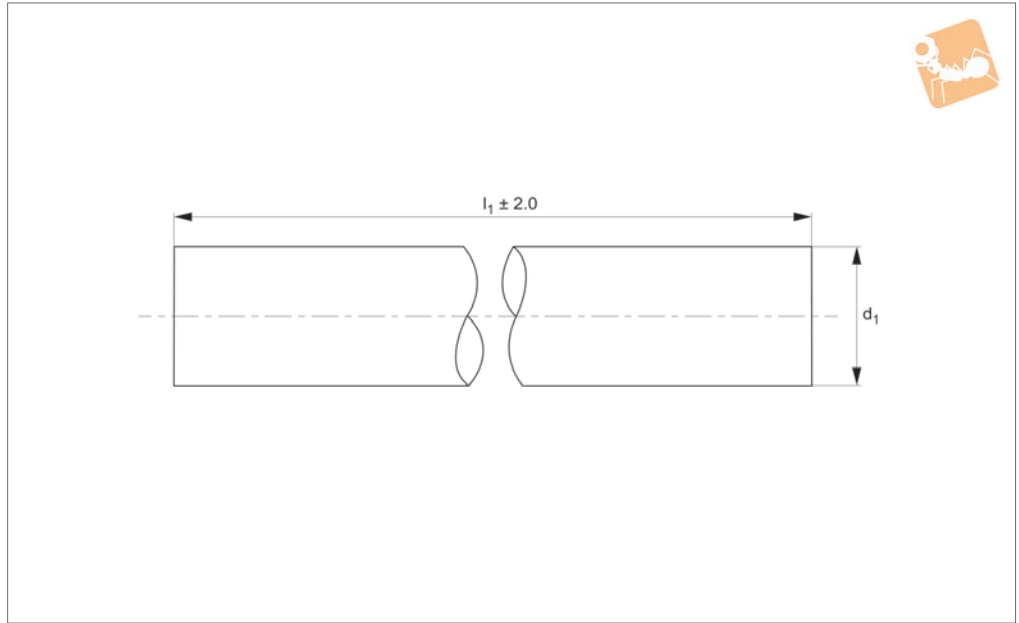
Linear Shaft Bars

Order No.	d_1 tol. h6	l_1	Tolerance μ tol. h6	Depth of hardness
L1774.60-4950	60	4950	+0,-19	3.5
L1774.60-5000	60	5000	+0,-19	3.5
L1774.60-5050	60	5050	+0,-19	3.5
L1774.60-5100	60	5100	+0,-19	3.5
L1774.60-5150	60	5150	+0,-19	3.5
L1774.60-5200	60	5200	+0,-19	3.5
L1774.60-5250	60	5250	+0,-19	3.5
L1774.60-5300	60	5300	+0,-19	3.5
L1774.60-5350	60	5350	+0,-19	3.5
L1774.60-5400	60	5400	+0,-19	3.5
L1774.60-5450	60	5450	+0,-19	3.5
L1774.60-5500	60	5500	+0,-19	3.5
L1774.60-5550	60	5550	+0,-19	3.5
L1774.60-5600	60	5600	+0,-19	3.5
L1774.60-5650	60	5650	+0,-19	3.5
L1774.60-5700	60	5700	+0,-19	3.5
L1774.60-5750	60	5750	+0,-19	3.5
L1774.60-5800	60	5800	+0,-19	3.5
L1774.60-5850	60	5850	+0,-19	3.5
L1774.60-5900	60	5900	+0,-19	3.5
L1774.60-5950	60	5950	+0,-19	3.5
L1774.60-6000	60	6000	+0,-19	3.5

LINEAR SHAFT BARS



L1778.08



Material

Aluminium EN AW 6061/6060
 Surface: Hard anodized
 Hardness: 450-550 HV

Technical Notes

Designed to be used with self-lubricating ceramic bushings (part no.s L1764 to

L1769).

Temp. range -130°C to +200°C.
 Non-magnetic, contaminants do not stick to surface, coating is FDA compliant, light-weight.

Tips

Shaft ends are not coated as standard,

however coated ends are available on request.

Modifications, drilled and tapped holes, circlip grooves, special coatings etc. available.

Shafts lengths are cut to typically ± 2mm.

Order No.	d ₁ tol. h6	l ₁	Tolerance μ tol. h6
L1778.08-0100	8	100	+0,-9
L1778.08-0150	8	150	+0,-9
L1778.08-0200	8	200	+0,-9
L1778.08-0250	8	250	+0,-9
L1778.08-0300	8	300	+0,-9
L1778.08-0350	8	350	+0,-9
L1778.08-0400	8	400	+0,-9
L1778.08-0450	8	450	+0,-9
L1778.08-0500	8	500	+0,-9
L1778.08-0550	8	550	+0,-9
L1778.08-0600	8	600	+0,-9
L1778.08-0650	8	650	+0,-9
L1778.08-0700	8	700	+0,-9
L1778.08-0750	8	750	+0,-9
L1778.08-0800	8	800	+0,-9
L1778.08-0850	8	850	+0,-9
L1778.08-0900	8	900	+0,-9
L1778.08-1000	8	1000	+0,-9
L1778.08-1050	8	1050	+0,-9
L1778.08-1100	8	1100	+0,-9
L1778.08-1150	8	1150	+0,-9
L1778.08-1200	8	1200	+0,-9
L1778.08-1250	8	1250	+0,-9
L1778.08-1300	8	1300	+0,-9
L1778.08-1350	8	1350	+0,-9
L1778.08-1400	8	1400	+0,-9
L1778.08-1450	8	1450	+0,-9
L1778.08-1500	8	1500	+0,-9
L1778.08-1550	8	1550	+0,-9
L1778.08-1600	8	1600	+0,-9



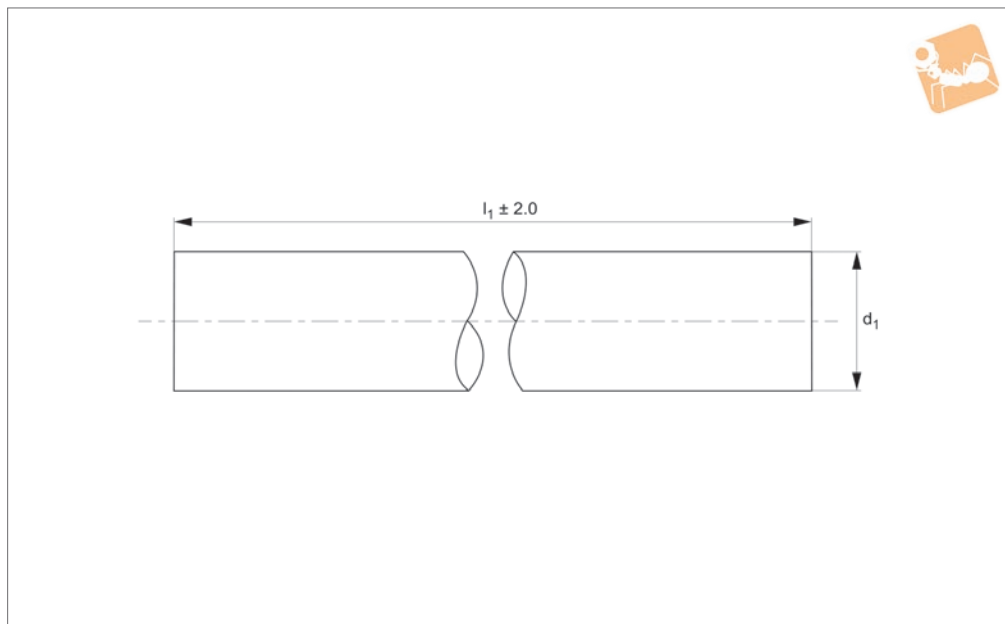
8Ø Aluminium Shafts

Linear Shaft Bars

Order No.	d_1 tol. h6	l_1	Tolerance μ tol. h6
L1778.08-1650	8	1650	+0,-9
L1778.08-1700	8	1700	+0,-9
L1778.08-1750	8	1750	+0,-9
L1778.08-1800	8	1800	+0,-9
L1778.08-1850	8	1850	+0,-9
L1778.08-1900	8	1900	+0,-9
L1778.08-1950	8	1950	+0,-9
L1778.08-2000	8	2000	+0,-9



L1778.10



Material

Aluminium EN AW 6061/6060
Surface: Hard anodized
Hardness: 450-550 HV

Technical Notes

Designed to be used with self-lubricating ceramic bushings (part no.s L1764 to

L1769).

Temp. range -130°C to +200°C.
Non-magnetic, contaminants do not stick to surface, coating is FDA compliant, light-weight.

Tips

Shaft ends are not coated as standard,

however coated ends are available on request.

Modifications, drilled and tapped holes, circlip grooves, special coatings etc. available.

Shafts lengths are cut to typically ± 2 mm.

Order No.	d ₁ tol. h6	l ₁	Tolerance μ tol. h6
L1778.10-0100	10	100	+0,-9
L1778.10-0150	10	150	+0,-9
L1778.10-0200	10	200	+0,-9
L1778.10-0250	10	250	+0,-9
L1778.10-0300	10	300	+0,-9
L1778.10-0350	10	350	+0,-9
L1778.10-0400	10	400	+0,-9
L1778.10-0450	10	450	+0,-9
L1778.10-0500	10	500	+0,-9
L1778.10-0550	10	550	+0,-9
L1778.10-0600	10	600	+0,-9
L1778.10-0650	10	650	+0,-9
L1778.10-0700	10	700	+0,-9
L1778.10-0750	10	750	+0,-9
L1778.10-0800	10	800	+0,-9
L1778.10-0850	10	850	+0,-9
L1778.10-0900	10	900	+0,-9
L1778.10-1000	10	1000	+0,-9
L1778.10-1050	10	1050	+0,-9
L1778.10-1100	10	1100	+0,-9
L1778.10-1150	10	1150	+0,-9
L1778.10-1200	10	1200	+0,-9
L1778.10-1250	10	1250	+0,-9
L1778.10-1300	10	1300	+0,-9
L1778.10-1350	10	1350	+0,-9
L1778.10-1400	10	1400	+0,-9
L1778.10-1450	10	1450	+0,-9
L1778.10-1500	10	1500	+0,-9
L1778.10-1550	10	1550	+0,-9
L1778.10-1600	10	1600	+0,-9



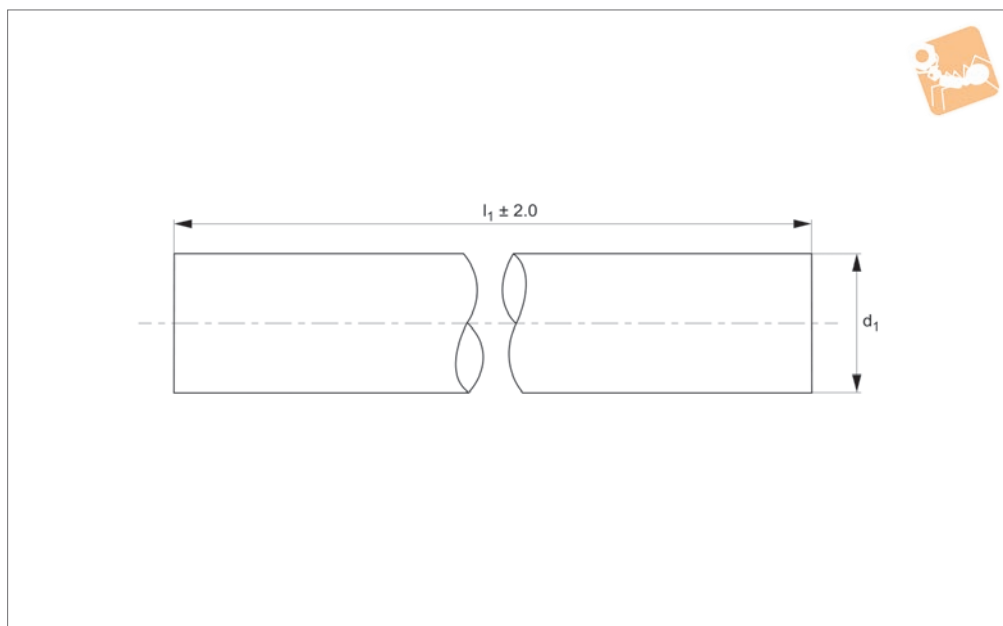
10Ø Aluminium Shafts

Linear Shaft Bars

Order No.	d_1 tol. h6	l_1	Tolerance μ tol. h6
L1778.10-1650	10	1650	+0,-9
L1778.10-1700	10	1700	+0,-9
L1778.10-1750	10	1750	+0,-9
L1778.10-1800	10	1800	+0,-9
L1778.10-1850	10	1850	+0,-9
L1778.10-1900	10	1900	+0,-9
L1778.10-1950	10	1950	+0,-9
L1778.10-2000	10	2000	+0,-9



L1778.12



Material

Aluminium EN AW 6061/6060
 Surface: Hard anodized
 Hardness: 450-550 HV

Technical Notes

Designed to be used with self-lubricating ceramic bushings (part no.s L1764 to

L1769).

Temp. range -130°C to +200°C.
 Non-magnetic, contaminants do not stick to surface, coating is FDA compliant, light-weight.

Tips

Shaft ends are not coated as standard,

however coated ends are available on request.

Modifications, drilled and tapped holes, circlip grooves, special coatings etc. available.

Shafts lengths are cut to typically ± 2 mm.

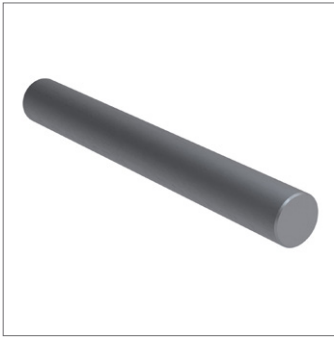
Order No.	d_1 tol. h6	l_1	Tolerance μ tol. h6
L1778.12-0100	12	100	+0,-9
L1778.12-0150	12	150	+0,-9
L1778.12-0200	12	200	+0,-9
L1778.12-0250	12	250	+0,-9
L1778.12-0300	12	300	+0,-9
L1778.12-0350	12	350	+0,-9
L1778.12-0400	12	400	+0,-9
L1778.12-0450	12	450	+0,-9
L1778.12-0500	12	500	+0,-9
L1778.12-0550	12	550	+0,-9
L1778.12-0600	12	600	+0,-9
L1778.12-0650	12	650	+0,-9
L1778.12-0700	12	700	+0,-9
L1778.12-0750	12	750	+0,-9
L1778.12-0800	12	800	+0,-9
L1778.12-0850	12	850	+0,-9
L1778.12-0900	12	900	+0,-9
L1778.12-1000	12	1000	+0,-9
L1778.12-1050	12	1050	+0,-9
L1778.12-1100	12	1100	+0,-9
L1778.12-1150	12	1150	+0,-9
L1778.12-1200	12	1200	+0,-9
L1778.12-1250	12	1250	+0,-9
L1778.12-1300	12	1300	+0,-9
L1778.12-1350	12	1350	+0,-9
L1778.12-1400	12	1400	+0,-9
L1778.12-1450	12	1450	+0,-9
L1778.12-1500	12	1500	+0,-9
L1778.12-1550	12	1550	+0,-9
L1778.12-1600	12	1600	+0,-9

12Ø Aluminium Shafts

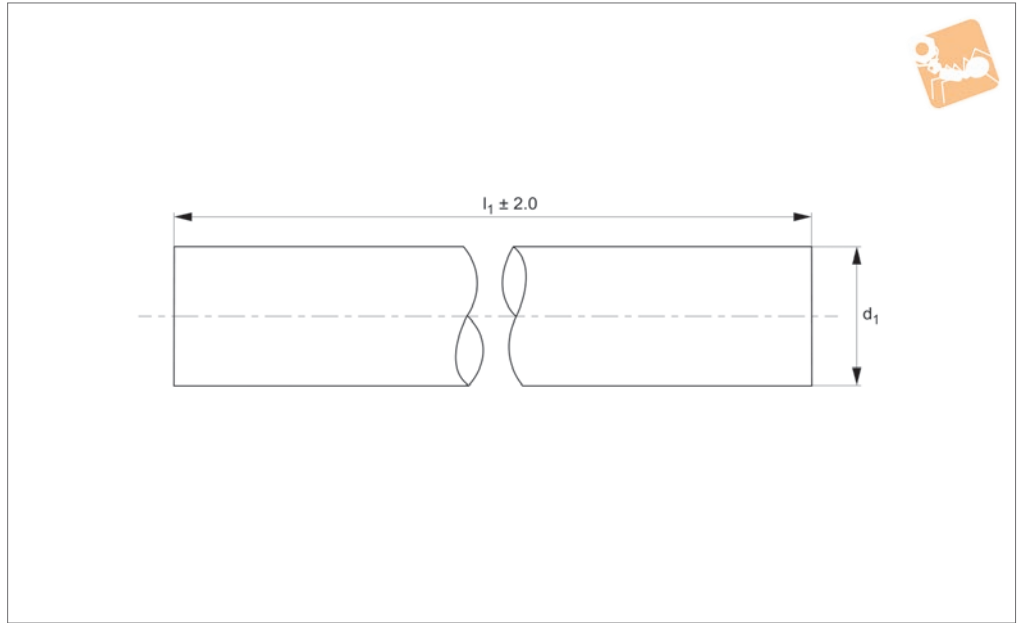
Linear Shaft Bars

Order No.	d_1 tol. h6	l_1	Tolerance μ tol. h6
L1778.12-1650	12	1650	+0,-9
L1778.12-1700	12	1700	+0,-9
L1778.12-1750	12	1750	+0,-9
L1778.12-1800	12	1800	+0,-9
L1778.12-1850	12	1850	+0,-9
L1778.12-1900	12	1900	+0,-9
L1778.12-1950	12	1950	+0,-9
L1778.12-2000	12	2000	+0,-9

LINEAR SHAFT BARS



L1778.16



Material

Aluminium EN AW 6061/6060
 Surface: Hard anodized
 Hardness: 450-550 HV

Technical Notes

Designed to be used with self-lubricating ceramic bushings (part no.s L1764 to

L1769).

Temp. range -130°C to +200°C.
 Non-magnetic, contaminants do not stick to surface, coating is FDA compliant, light-weight.

Tips

Shaft ends are not coated as standard,

however coated ends are available on request.

Modifications, drilled and tapped holes, circlip grooves, special coatings etc. available.

Shafts lengths are cut to typically ± 2 mm.

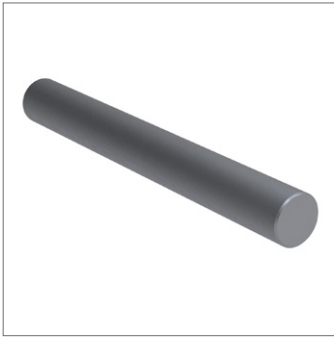
Order No.	d ₁ tol. h6	l ₁	Tolerance μ tol. h6
L1778.16-0100	16	100	+0,-9
L1778.16-0150	16	150	+0,-9
L1778.16-0200	16	200	+0,-9
L1778.16-0250	16	250	+0,-9
L1778.16-0300	16	300	+0,-9
L1778.16-0350	16	350	+0,-9
L1778.16-0400	16	400	+0,-9
L1778.16-0450	16	450	+0,-9
L1778.16-0500	16	500	+0,-9
L1778.16-0550	16	550	+0,-9
L1778.16-0600	16	600	+0,-9
L1778.16-0650	16	650	+0,-9
L1778.16-0700	16	700	+0,-9
L1778.16-0750	16	750	+0,-9
L1778.16-0800	16	800	+0,-9
L1778.16-0850	16	850	+0,-9
L1778.16-0900	16	900	+0,-9
L1778.16-1000	16	1000	+0,-9
L1778.16-1050	16	1050	+0,-9
L1778.16-1100	16	1100	+0,-9
L1778.16-1150	16	1150	+0,-9
L1778.16-1200	16	1200	+0,-9
L1778.16-1250	16	1250	+0,-9
L1778.16-1300	16	1300	+0,-9
L1778.16-1350	16	1350	+0,-9
L1778.16-1400	16	1400	+0,-9
L1778.16-1450	16	1450	+0,-9
L1778.16-1500	16	1500	+0,-9
L1778.16-1550	16	1550	+0,-9
L1778.16-1600	16	1600	+0,-9



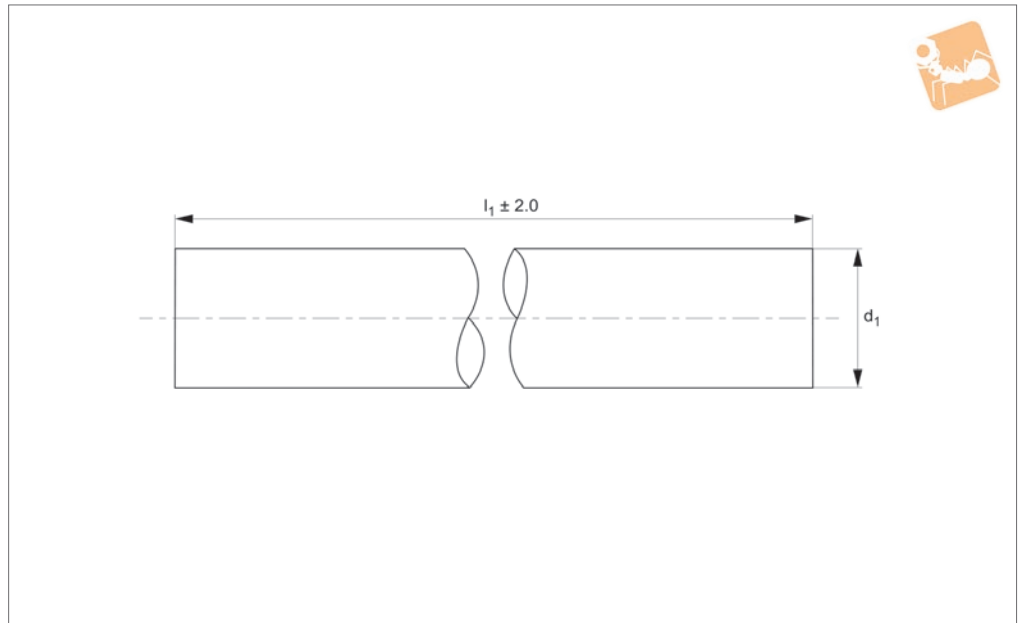
16Ø Aluminium Shafts

Linear Shaft Bars

Order No.	d_1 tol. h6	l_1	Tolerance μ tol. h6
L1778.16-1650	16	1650	+0,-9
L1778.16-1700	16	1700	+0,-9
L1778.16-1750	16	1750	+0,-9
L1778.16-1800	16	1800	+0,-9
L1778.16-1850	16	1850	+0,-9
L1778.16-1900	16	1900	+0,-9
L1778.16-1950	16	1950	+0,-9
L1778.16-2000	16	2000	+0,-9



L1778.20



Material

Aluminium EN AW 6061/6060
Surface: Hard anodized
Hardness: 450-550 HV

Technical Notes

Designed to be used with self-lubricating ceramic bushings (part no.s L1764 to

L1769).

Temp. range -130°C to $+200^{\circ}\text{C}$.
Non-magnetic, contaminants do not stick to surface, coating is FDA compliant, light-weight.

Tips

Shaft ends are not coated as standard,

however coated ends are available on request.

Modifications, drilled and tapped holes, circlip grooves, special coatings etc. available.

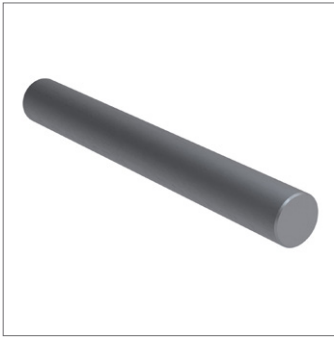
Shafts lengths are cut to typically $\pm 2\text{mm}$.

Order No.	d_1 tol. h6	l_1	Tolerance μ tol. h6
L1778.20-0100	20	100	+0,-9
L1778.20-0150	20	150	+0,-9
L1778.20-0200	20	200	+0,-9
L1778.20-0250	20	250	+0,-9
L1778.20-0300	20	300	+0,-9
L1778.20-0350	20	350	+0,-9
L1778.20-0400	20	400	+0,-9
L1778.20-0450	20	450	+0,-9
L1778.20-0500	20	500	+0,-9
L1778.20-0550	20	550	+0,-9
L1778.20-0600	20	600	+0,-9
L1778.20-0650	20	650	+0,-9
L1778.20-0700	20	700	+0,-9
L1778.20-0750	20	750	+0,-9
L1778.20-0800	20	800	+0,-9
L1778.20-0850	20	850	+0,-9
L1778.20-0900	20	900	+0,-9
L1778.20-1000	20	1000	+0,-9
L1778.20-1050	20	1050	+0,-9
L1778.20-1100	20	1100	+0,-9
L1778.20-1150	20	1150	+0,-9
L1778.20-1200	20	1200	+0,-9
L1778.20-1250	20	1250	+0,-9
L1778.20-1300	20	1300	+0,-9
L1778.20-1350	20	1350	+0,-9
L1778.20-1400	20	1400	+0,-9
L1778.20-1450	20	1450	+0,-9
L1778.20-1500	20	1500	+0,-9
L1778.20-1550	20	1550	+0,-9
L1778.20-1600	20	1600	+0,-9

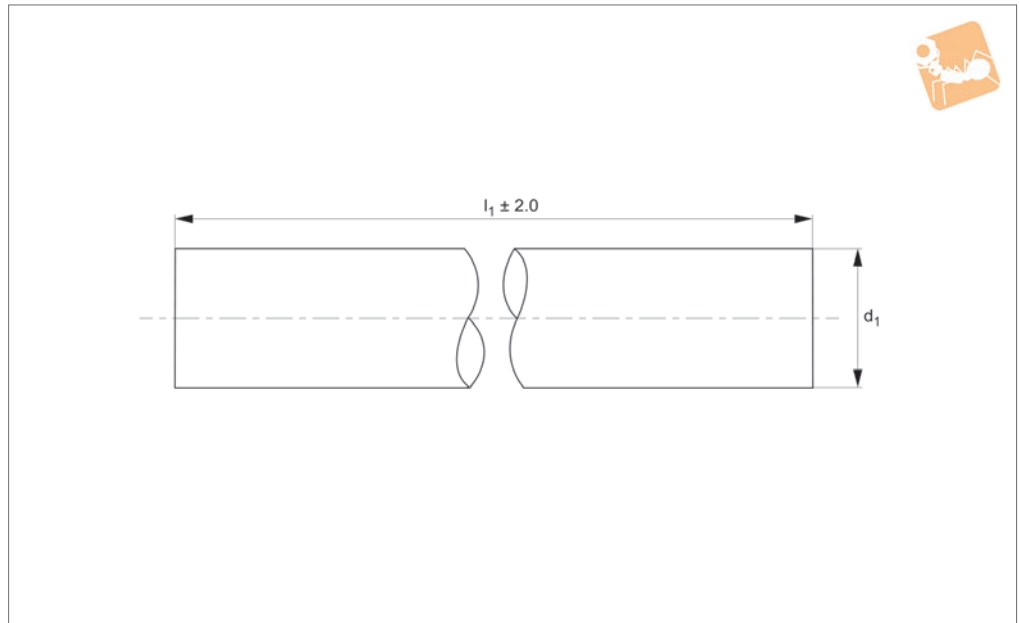


Order No.	d_1 tol. h6	l_1	Tolerance μ tol. h6
L1778.20-1650	20	1650	+0,-9
L1778.20-1700	20	1700	+0,-9
L1778.20-1750	20	1750	+0,-9
L1778.20-1800	20	1800	+0,-9
L1778.20-1850	20	1850	+0,-9
L1778.20-1900	20	1900	+0,-9
L1778.20-1950	20	1950	+0,-9
L1778.20-2000	20	2000	+0,-9

LINEAR SHAFT BARS



L1778.25



Material

Aluminium EN AW 6061/6060
 Surface: Hard anodized
 Hardness: 450-550 HV

Technical Notes

Designed to be used with self-lubricating ceramic bushings (part no.s L1764 to

L1769).

Temp. range -130°C to +200°C.
 Non-magnetic, contaminants do not stick to surface, coating is FDA compliant, light-weight.

Tips

Shaft ends are not coated as standard,

however coated ends are available on request.

Modifications, drilled and tapped holes, circlip grooves, special coatings etc. available.

Shafts lengths are cut to typically ± 2 mm.

Order No.	d ₁ tol. h6	l ₁	Tolerance μ tol. h6
L1778.25-0100	25	100	+0,-9
L1778.25-0150	25	150	+0,-9
L1778.25-0200	25	200	+0,-9
L1778.25-0250	25	250	+0,-9
L1778.25-0300	25	300	+0,-9
L1778.25-0350	25	350	+0,-9
L1778.25-0400	25	400	+0,-9
L1778.25-0450	25	450	+0,-9
L1778.25-0500	25	500	+0,-9
L1778.25-0550	25	550	+0,-9
L1778.25-0600	25	600	+0,-9
L1778.25-0650	25	650	+0,-9
L1778.25-0700	25	700	+0,-9
L1778.25-0750	25	750	+0,-9
L1778.25-0800	25	800	+0,-9
L1778.25-0850	25	850	+0,-9
L1778.25-0900	25	900	+0,-9
L1778.25-1000	25	1000	+0,-9
L1778.25-1050	25	1050	+0,-9
L1778.25-1100	25	1100	+0,-9
L1778.25-1150	25	1150	+0,-9
L1778.25-1200	25	1200	+0,-9
L1778.25-1250	25	1250	+0,-9
L1778.25-1300	25	1300	+0,-9
L1778.25-1350	25	1350	+0,-9
L1778.25-1400	25	1400	+0,-9
L1778.25-1450	25	1450	+0,-9
L1778.25-1500	25	1500	+0,-9
L1778.25-1550	25	1550	+0,-9
L1778.25-1600	25	1600	+0,-9



25Ø Aluminium Shafts

Linear Shaft Bars

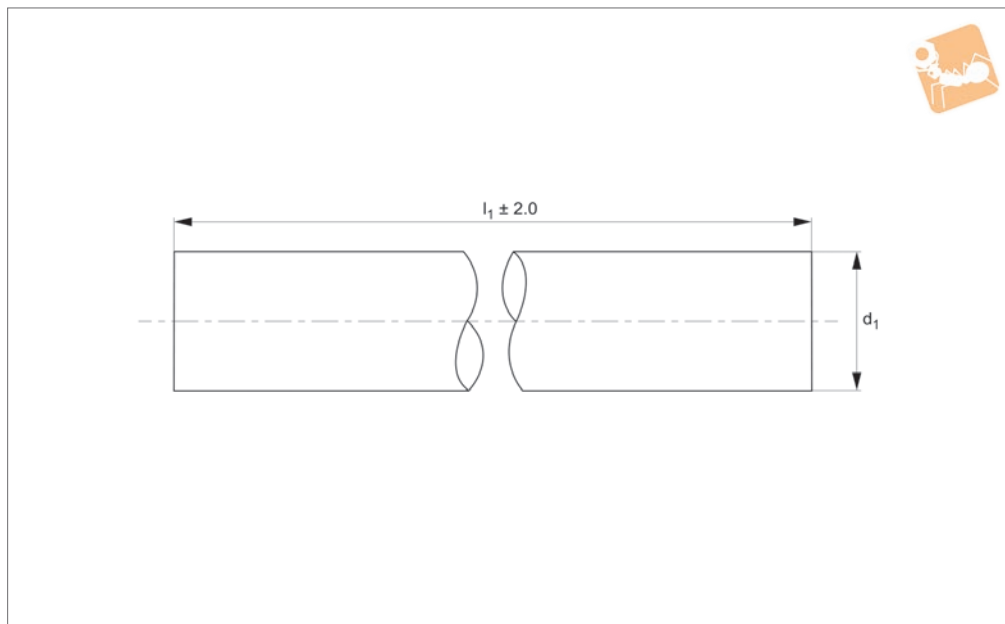


Order No.	d_1 tol. h6	l_1	Tolerance μ tol. h6
L1778.25-1650	25	1650	+0,-9
L1778.25-1700	25	1700	+0,-9
L1778.25-1750	25	1750	+0,-9
L1778.25-1800	25	1800	+0,-9
L1778.25-1850	25	1850	+0,-9
L1778.25-1900	25	1900	+0,-9
L1778.25-1950	25	1950	+0,-9
L1778.25-2000	25	2000	+0,-9

LINEAR SHAFT BARS



L1778.30



Material

Aluminium EN AW 6061/6060
Surface: Hard anodized
Hardness: 450-550 HV

Technical Notes

Designed to be used with self-lubricating ceramic bushings (part no.s L1764 to

L1769).

Temp. range -130°C to +200°C.
Non-magnetic, contaminants do not stick to surface, coating is FDA compliant, light-weight.

Tips

Shaft ends are not coated as standard,

however coated ends are available on request.

Modifications, drilled and tapped holes, circlip grooves, special coatings etc. available.

Shafts lengths are cut to typically ± 2 mm.

Order No.	d ₁ tol. h6	l ₁	Tolerance μ tol. h6
L1778.30-0100	30	100	+0,-9
L1778.30-0150	30	150	+0,-9
L1778.30-0200	30	200	+0,-9
L1778.30-0250	30	250	+0,-9
L1778.30-0300	30	300	+0,-9
L1778.30-0350	30	350	+0,-9
L1778.30-0400	30	400	+0,-9
L1778.30-0450	30	450	+0,-9
L1778.30-0500	30	500	+0,-9
L1778.30-0550	30	550	+0,-9
L1778.30-0600	30	600	+0,-9
L1778.30-0650	30	650	+0,-9
L1778.30-0700	30	700	+0,-9
L1778.30-0750	30	750	+0,-9
L1778.30-0800	30	800	+0,-9
L1778.30-0850	30	850	+0,-9
L1778.30-0900	30	900	+0,-9
L1778.30-1000	30	1000	+0,-9
L1778.30-1050	30	1050	+0,-9
L1778.30-1100	30	1100	+0,-9
L1778.30-1150	30	1150	+0,-9
L1778.30-1200	30	1200	+0,-9
L1778.30-1250	30	1250	+0,-9
L1778.30-1300	30	1300	+0,-9
L1778.30-1350	30	1350	+0,-9
L1778.30-1400	30	1400	+0,-9
L1778.30-1450	30	1450	+0,-9
L1778.30-1500	30	1500	+0,-9
L1778.30-1550	30	1550	+0,-9
L1778.30-1600	30	1600	+0,-9



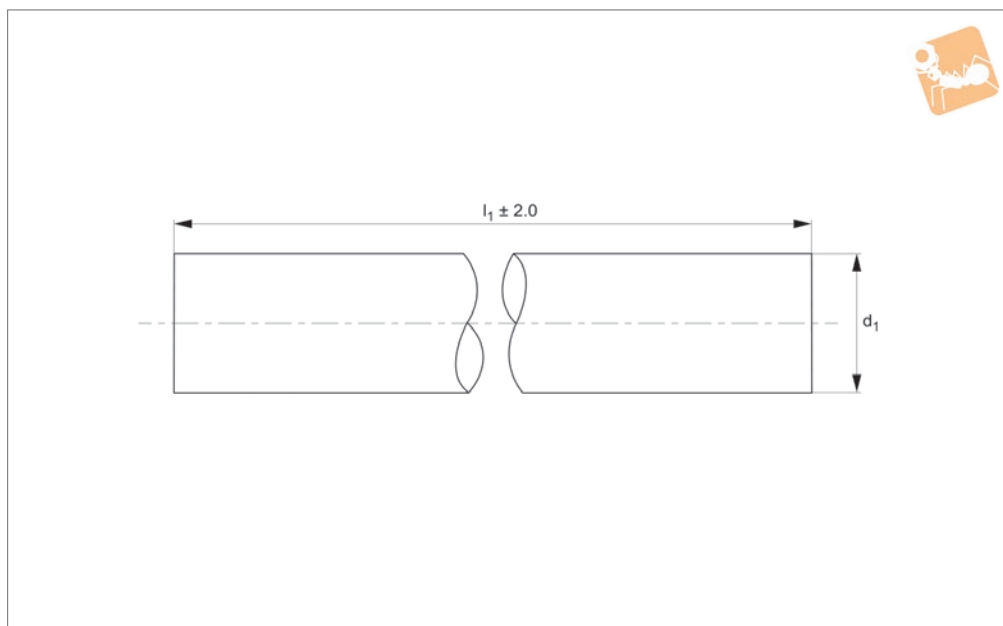
30Ø Aluminium Shafts

Linear Shaft Bars

Order No.	d_1 tol. h6	l_1	Tolerance μ tol. h6
L1778.30-1650	30	1650	+0,-9
L1778.30-1700	30	1700	+0,-9
L1778.30-1750	30	1750	+0,-9
L1778.30-1800	30	1800	+0,-9
L1778.30-1850	30	1850	+0,-9
L1778.30-1900	30	1900	+0,-9
L1778.30-1950	30	1950	+0,-9
L1778.30-2000	30	2000	+0,-9



L1778.40



Material

Aluminium EN AW 6061/6060
Surface: Hard anodized
Hardness: 450-550 HV

Technical Notes

Designed to be used with self-lubricating ceramic bushings (part no.s L1764 to

L1769).

Temp. range -130°C to +200°C.
Non-magnetic, contaminants do not stick to surface, coating is FDA compliant, light-weight.

Tips

Shaft ends are not coated as standard,

however coated ends are available on request.

Modifications, drilled and tapped holes, circlip grooves, special coatings etc. available.

Shafts lengths are cut to typically ± 2mm.

Order No.	d ₁ tol. h6	l ₁	Tolerance μ tol. h6
L1778.40-0100	40	100	+0,-9
L1778.40-0150	40	150	+0,-9
L1778.40-0200	40	200	+0,-9
L1778.40-0250	40	250	+0,-9
L1778.40-0300	40	300	+0,-9
L1778.40-0350	40	350	+0,-9
L1778.40-0400	40	400	+0,-9
L1778.40-0450	40	450	+0,-9
L1778.40-0500	40	500	+0,-9
L1778.40-0550	40	550	+0,-9
L1778.40-0600	40	600	+0,-9
L1778.40-0650	40	650	+0,-9
L1778.40-0700	40	700	+0,-9
L1778.40-0750	40	750	+0,-9
L1778.40-0800	40	800	+0,-9
L1778.40-0850	40	850	+0,-9
L1778.40-0900	40	900	+0,-9
L1778.40-1000	40	1000	+0,-9
L1778.40-1050	40	1050	+0,-9
L1778.40-1100	40	1100	+0,-9
L1778.40-1150	40	1150	+0,-9
L1778.40-1200	40	1200	+0,-9
L1778.40-1250	40	1250	+0,-9
L1778.40-1300	40	1300	+0,-9
L1778.40-1350	40	1350	+0,-9
L1778.40-1400	40	1400	+0,-9
L1778.40-1450	40	1450	+0,-9
L1778.40-1500	40	1500	+0,-9
L1778.40-1550	40	1550	+0,-9
L1778.40-1600	40	1600	+0,-9

40Ø Aluminium Shafts

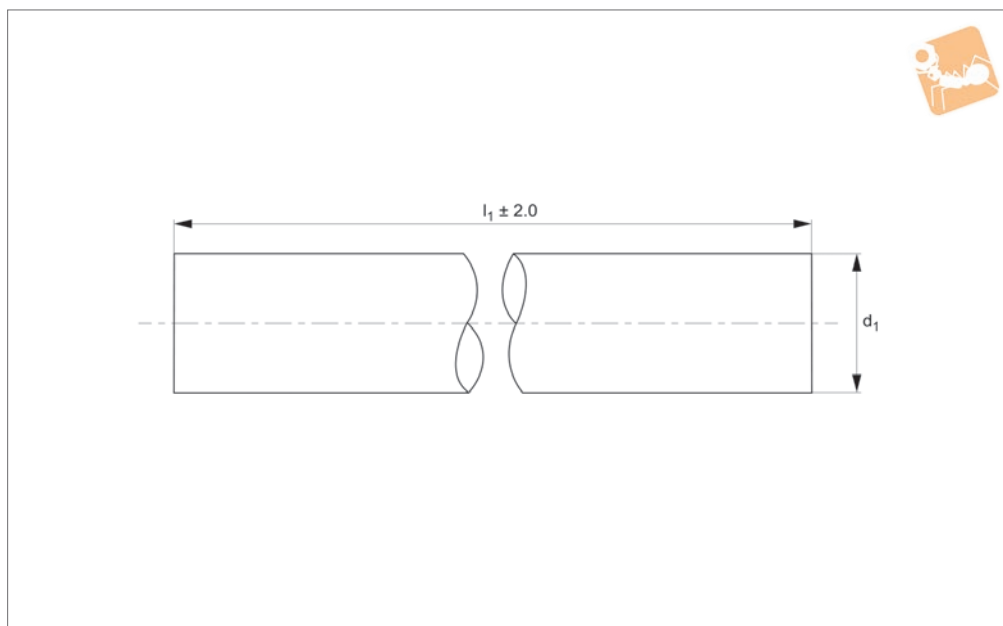
Linear Shaft Bars

Order No.	d_1 tol. h6	l_1	Tolerance μ tol. h6
L1778.40-1650	40	1650	+0,-9
L1778.40-1700	40	1700	+0,-9
L1778.40-1750	40	1750	+0,-9
L1778.40-1800	40	1800	+0,-9
L1778.40-1850	40	1850	+0,-9
L1778.40-1900	40	1900	+0,-9
L1778.40-1950	40	1950	+0,-9
L1778.40-2000	40	2000	+0,-9

LINEAR SHAFT BARS



L1778.50



Material

Aluminium EN AW 6061/6060
 Surface: Hard anodized
 Hardness: 450-550 HV

Technical Notes

Designed to be used with self-lubricating ceramic bushings (part no.s L1764 to

L1769).

Temp. range -130°C to +200°C.
 Non-magnetic, contaminants do not stick to surface, coating is FDA compliant, light-weight.

Tips

Shaft ends are not coated as standard,

however coated ends are available on request.

Modifications, drilled and tapped holes, circlip grooves, special coatings etc. available.

Shafts lengths are cut to typically ± 2mm.

Order No.	d ₁ tol. h6	l ₁	Tolerance μ tol. h6
L1778.50-0100	50	100	+0,-9
L1778.50-0150	50	150	+0,-9
L1778.50-0200	50	200	+0,-9
L1778.50-0250	50	250	+0,-9
L1778.50-0300	50	300	+0,-9
L1778.50-0350	50	350	+0,-9
L1778.50-0400	50	400	+0,-9
L1778.50-0450	50	450	+0,-9
L1778.50-0500	50	500	+0,-9
L1778.50-0550	50	550	+0,-9
L1778.50-0600	50	600	+0,-9
L1778.50-0650	50	650	+0,-9
L1778.50-0700	50	700	+0,-9
L1778.50-0750	50	750	+0,-9
L1778.50-0800	50	800	+0,-9
L1778.50-0850	50	850	+0,-9
L1778.50-0900	50	900	+0,-9
L1778.50-1000	50	1000	+0,-9
L1778.50-1050	50	1050	+0,-9
L1778.50-1100	50	1100	+0,-9
L1778.50-1150	50	1150	+0,-9
L1778.50-1200	50	1200	+0,-9
L1778.50-1250	50	1250	+0,-9
L1778.50-1300	50	1300	+0,-9
L1778.50-1350	50	1350	+0,-9
L1778.50-1400	50	1400	+0,-9
L1778.50-1450	50	1450	+0,-9
L1778.50-1500	50	1500	+0,-9
L1778.50-1550	50	1550	+0,-9
L1778.50-1600	50	1600	+0,-9



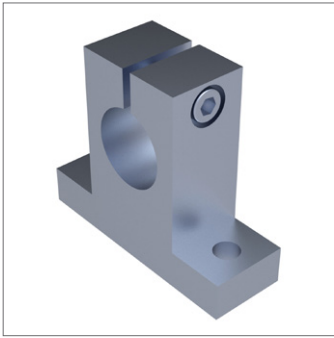
50Ø Aluminium Shafts

Linear Shaft Bars

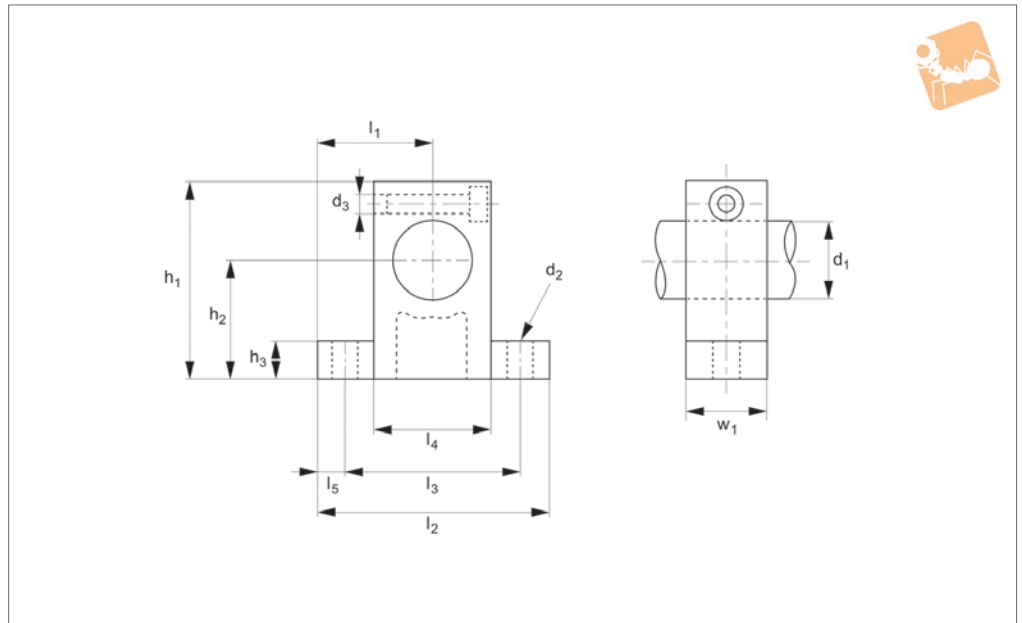


Order No.	d_1 tol. h6	l_1	Tolerance μ tol. h6
L1778.50-1650	50	1650	+0,-9
L1778.50-1700	50	1700	+0,-9
L1778.50-1750	50	1750	+0,-9
L1778.50-1800	50	1800	+0,-9
L1778.50-1850	50	1850	+0,-9
L1778.50-1900	50	1900	+0,-9
L1778.50-1950	50	1950	+0,-9
L1778.50-2000	50	2000	+0,-9

LINEAR SHAFT BARS



L1779.AL



Material

Aluminium (P40,6060)

Technical Notes

For mounting of standard shaft diameters.

Order No.	d ₁	d ₂	d ₃	h ₁	h ₂ ±0.02	h ₃	l ₁ ±0.05	l ₂	l ₃	l ₄	l ₅	w ₁	Weight g
L1779.008-AL	8	5.5	M4	32.8	20	6	21	42	32	18	5.0	14	24
L1779.010-AL	10	5.5	M4	32.8	20	6	21	42	32	18	5.0	14	24
L1779.012-AL	12	5.5	M4	38.0	23	6	21	42	32	20	5.0	14	30
L1779.013-AL	13	5.5	M4	38.0	23	6	21	42	32	20	5.0	14	30
L1779.016-AL	16	5.5	M4	44.0	27	8	24	48	38	25	5.0	16	40
L1779.020-AL	20	6.6	M5	51.0	31	10	30	60	45	30	7.5	20	70
L1779.025-AL	25	6.6	M6	60.0	35	12	35	70	56	38	7.0	24	130
L1779.030-AL	30	9.0	M6	70.0	42	12	42	84	64	44	10.0	28	180
L1779.035-AL	35	11.0	M8	85.0	50	15	49	98	74	50	12.0	32	270
L1779.040-AL	40	11.0	M8	96.0	60	15	57	114	90	60	12.0	36	420

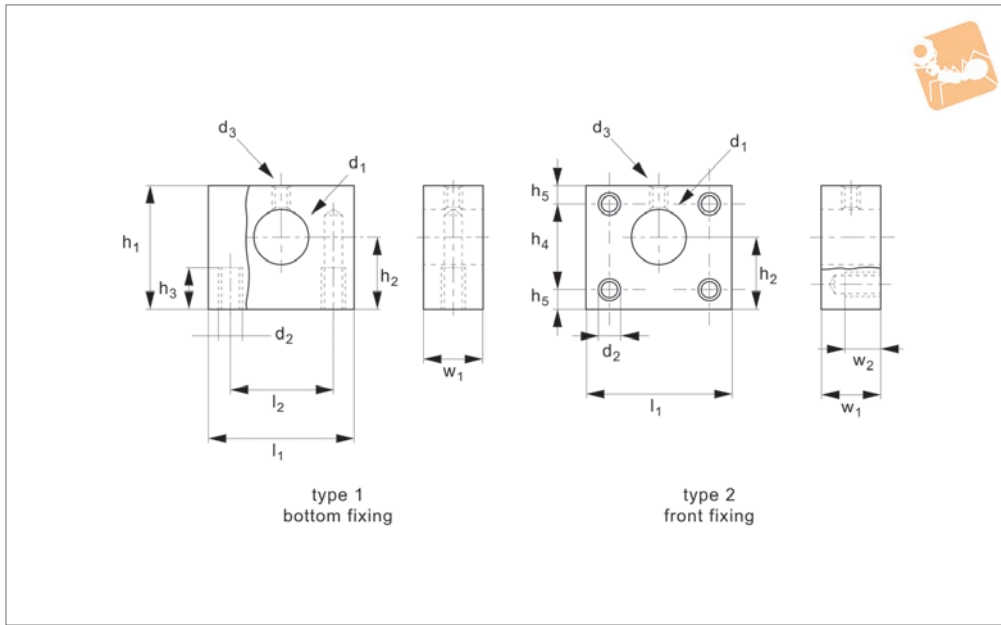


Shaft End Supports

316 series stainless steel



Linear Shaft Bars



L1779.A4

LINEAR SHAFT BARS

Material

Stainless steel (AISI 316, 1.440).

Technical Notes

For mounting of standard shaft diameters, tolerance h6.

Order No.	Type	d ₁ tol. G7	d ₂	d ₃	h ₁	h ₂	h ₃	h ₄	h ₅	l ₁	l ₂	w ₁	w ₂
L1779.01-120-A4	1	12	M 6	M 3	34	19	12	-	-	40	27	18	-
L1779.01-160-A4	1	16	M 6	M 3	38	22	13	-	-	45	32	20	-
L1779.01-200-A4	1	20	M 8	M 4	46	26	15	-	-	46	39	24	-
L1779.01-250-A4	1	25	M10	M 4	54	31	18	-	-	54	44	28	-
L1779.01-300-A4	1	30	M10	M 4	62	36	22	-	-	67	49	30	-
L1779.01-400-A4	1	40	M12	M 5	80	46	22	-	-	87	66	40	-
L1779.02-120-A4	2	12	M 6	M 3	34	19	-	22	6	40	-	18	12
L1779.02-160-A4	2	16	M 6	M 3	38	22	-	26	6	45	-	20	13
L1779.02-200-A4	2	20	M 8	M 4	46	26	-	30	8	46	-	24	15
L1779.02-250-A4	2	25	M10	M 4	54	31	-	38	8	54	-	28	18
L1779.02-300-A4	2	30	M10	M 4	62	36	-	42	10	67	-	30	22
L1779.02-400-A4	2	40	M12	M 5	80	46	-	60	10	87	-	40	22