

### L1790

LINEAR SHAFT SUPPORTS

**Material**  
Steel (C40).

**Technical Notes**

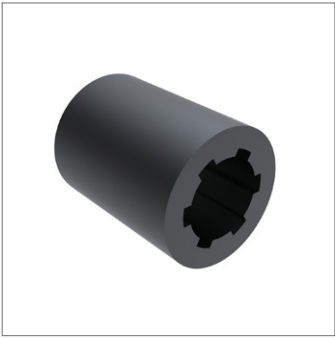
For use with splined bushings part no.

L1791.

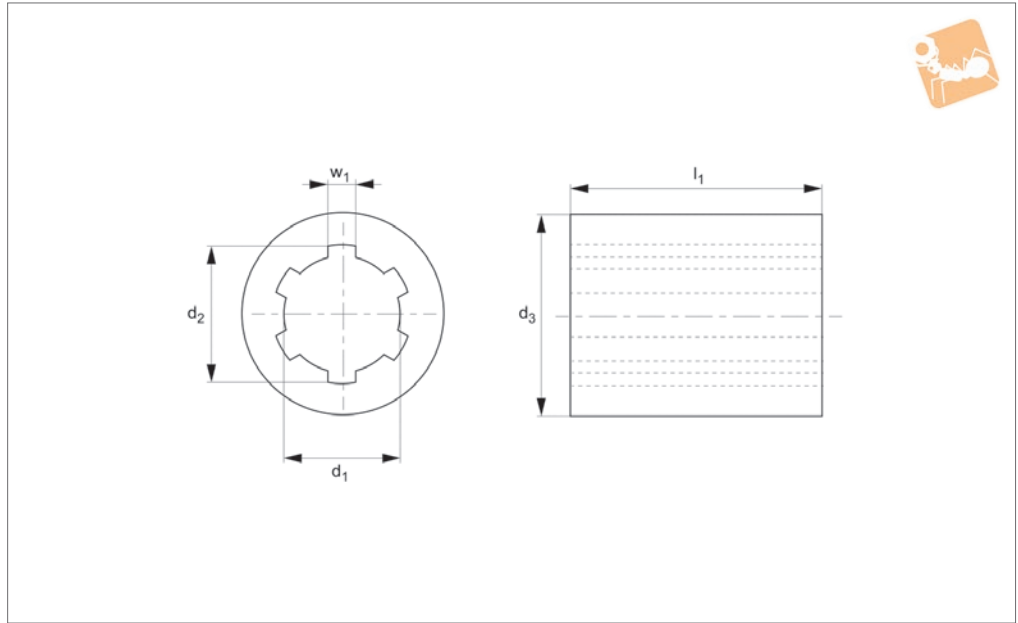
Torque figures stated are approximate, and dependent on the application. In important cases please consult our Tech-

nical department.

Order No.	No. of splines	$d_1$ +0.00 -0.08	$d_2$ +0.07 -0.27	$l_1$	$r_1$ 45°	$r_2$	$w_1$ +0.00 -0.08	Section mm <sup>2</sup>	Approx. torque Nm	Weight g
L1790.011-1.0	6	11	14	1000	0.2	0.2	3	121.9	38	0.9
L1790.013-1.0	6	13	16	1000	0.2	0.2	3.5	164.1	45	1.3
L1790.016-1.0	6	16	20	1000	0.2	0.2	5	243.4	101	1.9
L1790.018-1.0	6	18	22	1000	0.2	0.2	5	312.4	117	2.5
L1790.021-1.0	6	21	25	1000	0.2	0.2	5	399.8	130	3.1
L1790.023-1.0	6	23	28	1000	0.3	0.3	6	505.2	225	3.9
L1790.026-1.0	6	26	32	1000	0.3	0.3	6	638.6	310	5.0
L1790.032-1.0	8	32	38	1000	0.3	0.3	8	947.8	598	7.4
L1790.036-1.0	8	36	42	1000	0.3	0.3	7	1185.3	649	9.3
L1790.042-1.0	8	42	48	1000	0.3	0.3	8	1576.7	732	12.4
L1790.046-1.0	8	46	54	1000	0.5	0.3	9	1949.0	1095	15.3



**L1791**



**Material**

Steel (9 SMnPb 36).

**Technical Notes**

For use with splined shafts no. L1790.

Order No.	No. of splines	$d_1$	$d_2$	$d_3$ tol. h8	$l_1$	$w_1$	Weight kg
L1791.011-14	6	11	14	18.75	30	3	0.03
L1791.013-16	6	13	16	21.75	40	3.5	0.06
L1791.013-25	6	13	16	24.75	40	3.5	0.09
L1791.016-20	6	16	20	27.75	40	4	0.11
L1791.018-22	6	18	22	31.75	40	5	0.15
L1791.021-25	6	21	25	35.75	45	5	0.21
L1791.023-28	6	23	28	39.70	45	6	0.25
L1791.026-32	6	26	32	44.70	45	6	0.32
L1791.032-38	8	32	38	49.70	50	6	0.38
L1791.036-42	8	36	42	59.70	70	7	0.89
L1791.042-48	8	42	48	69.70	80	8	1.38
L1791.046-54	8	46	54	81.70	90	9	2.33