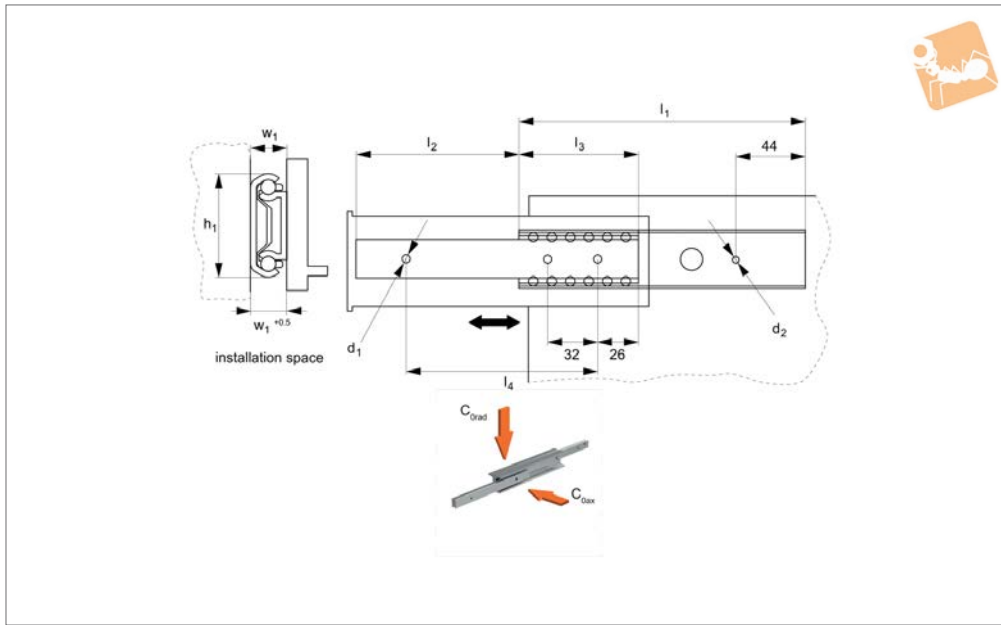
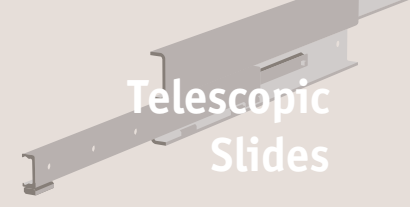




Semi-Telescopic Drawer Slides



L2000

TELESCOPIC SLIDES

Material

Galvanized steel. Hardened steel balls with plastic ball cage.

slide and based on 100,000 cycles, uniform load distribution and use of all fixing holes to mount the slide.

height 2,5 mm).

Technical Notes

C_{0rad} is the load rating for a single drawer

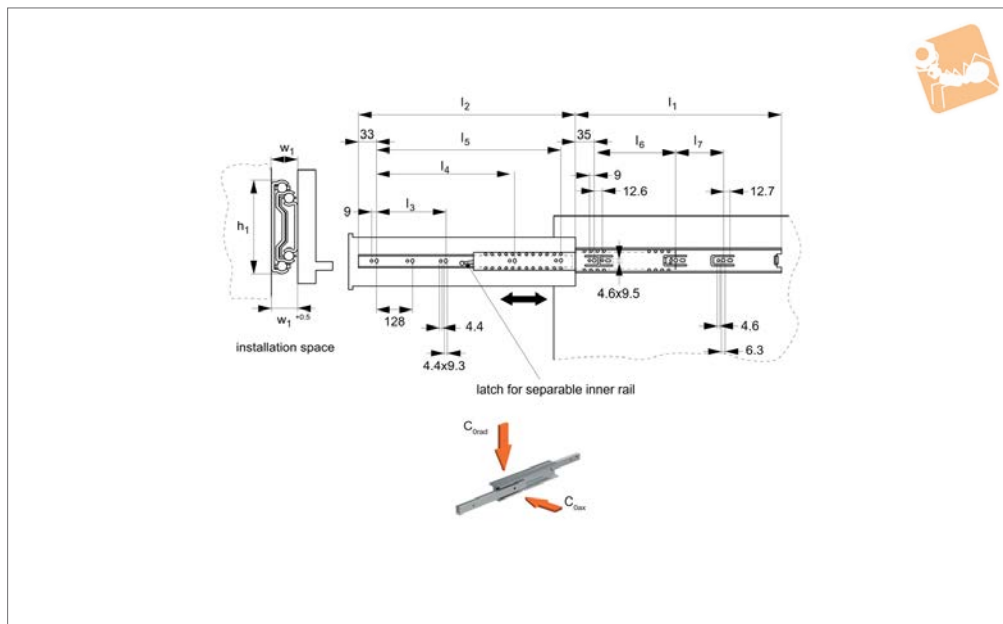
Tips

Fix with M5 countersunk screws (head

Order No.	l_1	l_2 stroke	h_1	d_1 for	d_2 for	w_1	l_3	l_4	Load (per rail) C_{0ax} N max.	Load (per rail) C_{0rad} N max.	Weight kg
L2000.0150	242	154	37.5	M5	M4	13.0	88	192	50	175	0.3
L2000.0230	317	229	37.5	M5	M4	13.0	88	256	50	175	0.4
L2000.0300	398	298	37.5	M5	M4	13.0	100	352	50	175	0.5
L2000.0370	473	373	37.5	M5	M4	13.0	100	416	50	175	0.6



L2010



Material

Steel, zinc-plated. Hardened steel balls with steel and plastic ball cage.

Technical Notes

With separable inner rail.

C_{0rad} is the load rating for a single drawer slide and based on 50,000 cycles, uniform load distribution and use of all fixing holes to mount the slide.

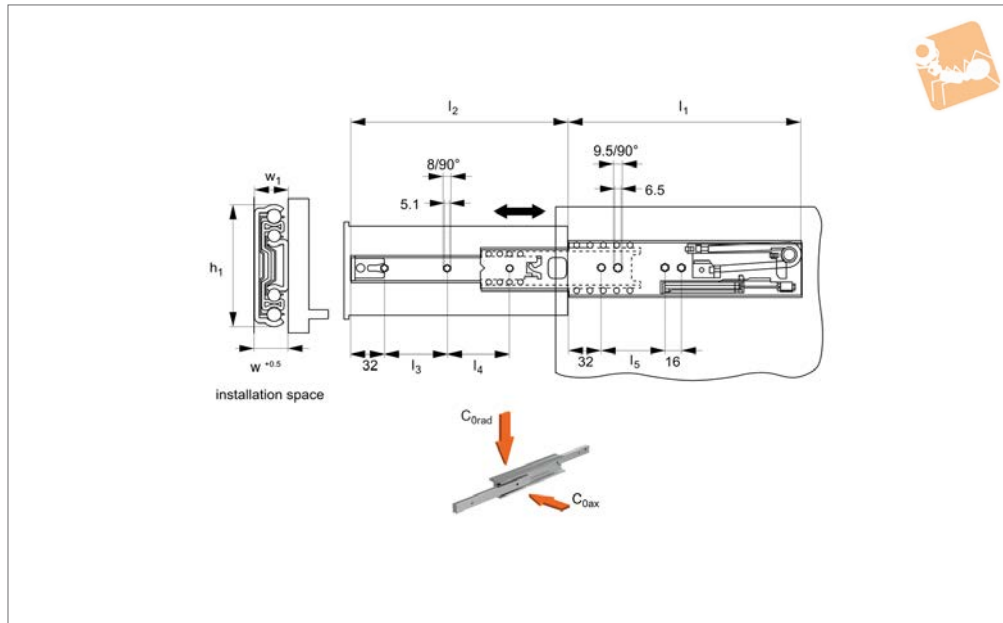
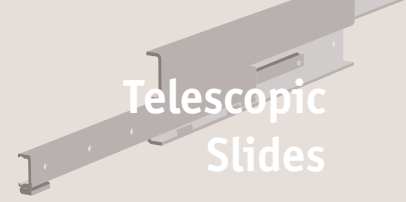
Tips

Friction locked in closed position. Fix with M4 countersunk screws (head height 2,2 mm).

Order No.	l_1	l_2 stroke	h_1	w_1	l_3	l_4	l_5	l_6	l_7	Load (per rail) C_{0ax} N max.	Load (per rail) C_{0rad} N max.	Weight kg
L2010.0300	300	305	45.5	12.7	-	-	242	192	-	50	150	0.48
L2010.0400	400	406	45.5	12.7	-	256	342	160	96	50	175	0.64
L2010.0450	450	457	45.5	12.7	-	256	392	160	160	50	175	0.71
L2010.0500	500	508	45.5	12.7	-	352	442	224	128	50	175	0.79
L2010.0550	550	559	45.5	12.7	224	416	492	224	192	50	200	0.88
L2010.0600	600	610	45.5	12.7	224	416	542	224	224	50	200	0.95



Soft-Close Drawer Slide



L2011

TELESCOPIC SLIDES

Material

Galvanized steel. Hardened steel balls with zinc-plated cage.

Technical Notes

C_{0rad} is the load rating for a single drawer slide and based on 100,000 cycles, uniform

load distribution and use of all fixing holes to mount the slide.

Flat installation not suited due to the soft-close damping system.

Tips

Soft close over last 50mm, for smooth full

retraction to closed position.

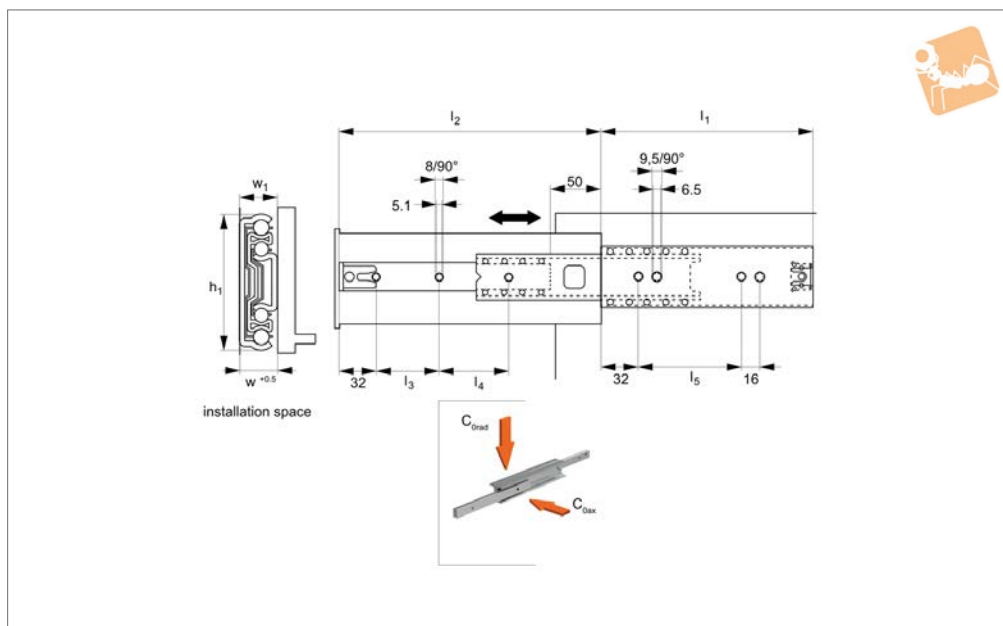
Fix inner rail with M4 countersunk screws (head height 2,2 mm).

Fix outer rail with M5 countersunk screws (head height 2,5 mm).

Order No.	l_1	l_2 stroke	h_1	w_1	l_3	l_4	l_5	Load (per rail) C_{0rad} N max.	Weight kg
L2011.0400	400	434	57.5	16.0	128	128	224	200	1.10
L2011.0450	450	484	57.5	16.0	160	160	256	250	1.25
L2011.0500	500	534	57.5	16.0	160	192	320	275	1.40
L2011.0550	550	584	57.5	16.0	192	192	320	300	1.55



L2012



Material

Galvanized steel. Hardened steel balls with zinc-plated ball cage.

slide and based on 100,000 cycles, uniform load distribution and use of all fixing holes to mount the slide.

Fix inner rail with M4 countersunk screws (head height 2,2 mm).

Fix outer rail with M5 countersunk screws (head height 2,5 mm).

Technical Notes

$C_{0\text{rad}}$ is the load rating for a single drawer

Tips

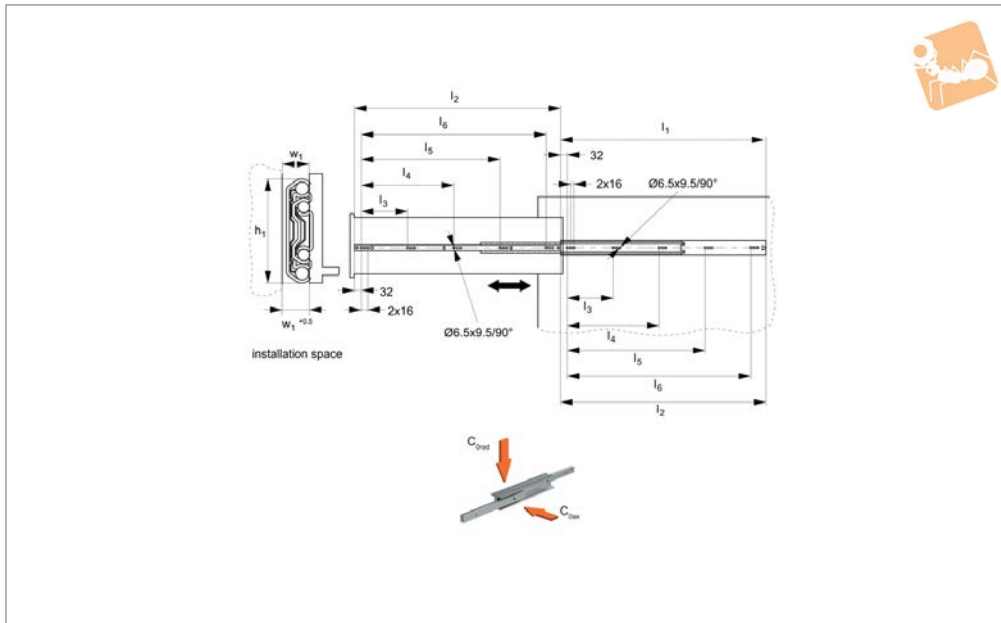
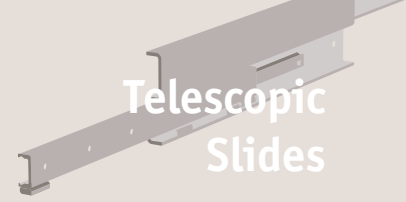
Friction locked in closed position.

Order No.	l_1	l_2 stroke	h_1	w_1	l_3	l_4	l_5	Load (per rail) $C_{0\text{ax}}$ N max.	Load (per rail) $C_{0\text{rad}}$ N max.	Weight kg
L2012.0350	300	350	57.4	17.5	128	104	160	80	250	0.84
L2012.0400	350	400	57.4	17.5	128	152	256	80	300	0.98
L2012.0450	400	450	57.4	17.5	160	168	256	80	325	1.13
L2012.0500	450	500	57.4	17.5	160	224	256	80	350	1.27
L2012.0550	500	550	57.4	17.5	224	208	384	80	375	1.42
L2012.0600	550	600	57.4	17.5	224	256	384	80	375	1.57
L2012.0650	600	650	57.4	17.5	288	240	384	80	400	1.71
L2012.0700	650	700	57.4	17.5	288	288	384	80	400	1.86
L2012.0750	700	750	57.4	17.5	320	312	384	80	400	2.01
L2012.0800	750	800	57.4	17.5	320	360	384	80	400	2.16



Fully Telescopic Drawer Slide

Telescopic Slides



L2013

TELESCOPIC SLIDES

Material

Galvanized steel. Hardened steel balls with zinc-plated cage.

slide and based on 100,000 cycles, uniform load distribution and use of all fixing holes to mount the slide.

Fix rail with M5 countersunk screws (head height 2,5 mm).

Technical Notes

C_{0rad} is the load rating for a single drawer

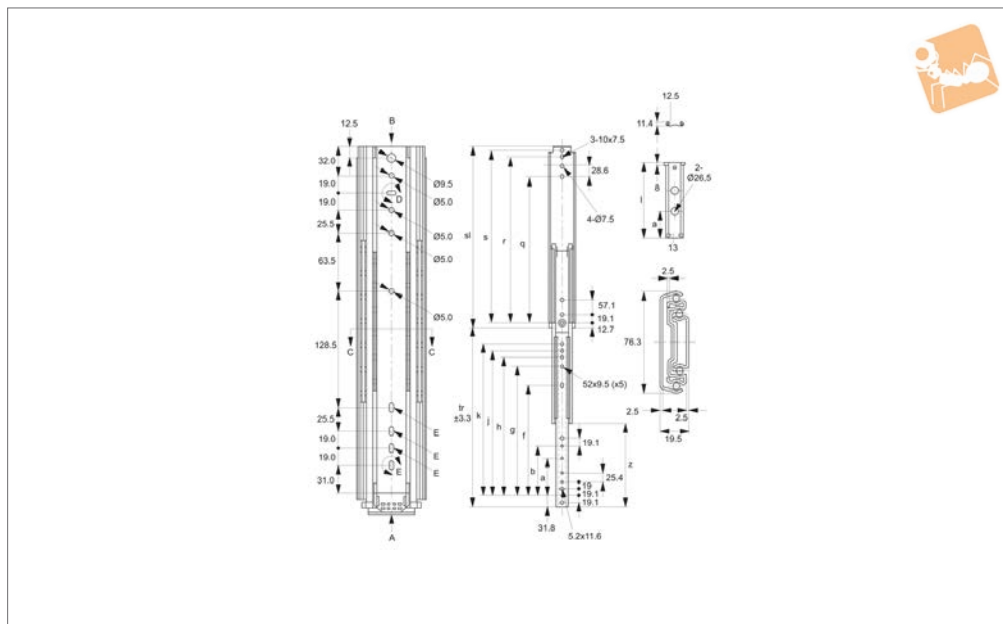
Tips

Friction locked in closed position.

Order No.	l_1	l_2 stroke	h_1	w_1	l_3	l_4	l_5	l_6	Load (per rail) C_{0ax} N max.	Load (per rail) C_{0rad} N max.	Weight kg
L2013.0400	400	400	70.0	18.0	-	-	-	288	150	525	1.55
L2013.0450	450	450	70.0	18.0	-	-	160	320	150	575	1.74
L2013.0500	500	500	70.0	18.0	-	-	192	384	150	650	1.94
L2013.0550	550	550	70.0	18.0	-	-	224	448	150	650	2.13
L2013.0600	600	600	70.0	18.0	-	-	224	448	150	650	2.32
L2013.0700	700	700	70.0	18.0	-	192	384	576	150	650	2.70
L2013.0800	800	800	70.0	18.0	-	224	448	672	150	600	3.10
L2013.1100	1100	1100	70.0	18.0	224	448	672	896	100	450	4.25



L2060



Material

Cold rolled steel, zinc plated.

tested to 40,000 usage cycles.

holes. **Sold individually as single slides.**

Technical Notes

Positive stop. These slides have been

Important Notes

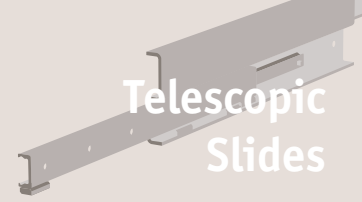
Load capacity is static load per pair, at the centre of the rails using all mounting

Order No.	Slide length sl	Slide travel tr ±3.3	a	b	f	g	h	j	k	q	R	s	Load/pair kg max.	Weight g
L2060.AC0025	254	254	-	-	-	103	128	147	166	152	209	228	200	1275
L2060.AC0030	304	304	-	-	-	153	179	198	217	203	260	279	200	1525
L2060.AC0035	355	355	-	-	-	204	230	249	268	254	311	330	200	1775
L2060.AC0040	406	406	127	-	-	255	280	299	319	304	361	381	200	2025
L2060.AC0047	457	457	127	-	246	306	331	350	369	355	412	431	200	2275
L2060.AC0050	508	508	127	190	296	357	382	401	420	406	463	482	200	2525
L2060.AC0055	558	558	127	190	347	407	433	452	471	457	514	533	200	2775
L2060.AC0060	608	608	127	190	398	458	484	503	522	508	565	584	200	3025
L2060.AC0066	660	660	127	190	449	509	534	553	573	558	615	635	200	3275
L2060.AC0071	711	711	127	190	500	560	585	604	623	609	666	685	200	3525

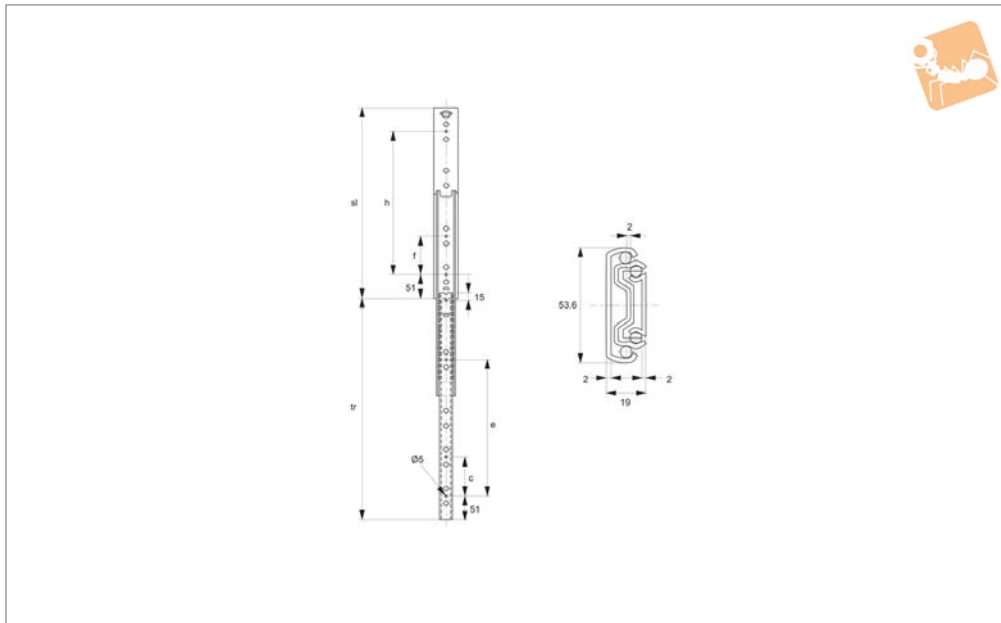


Drawer Slide - Full Extension

80 Kg load per pair



Telescopic Slides



L2062

TELESCOPIC SLIDES

Material

Cold rolled steel, zinc plated.

stop. These slides have been tested to 80,000 usage cycles.

centre of the rails using all mounting holes. **Sold individually as single slides.**

Technical Notes

Hold-in detent when slide closed. Positive

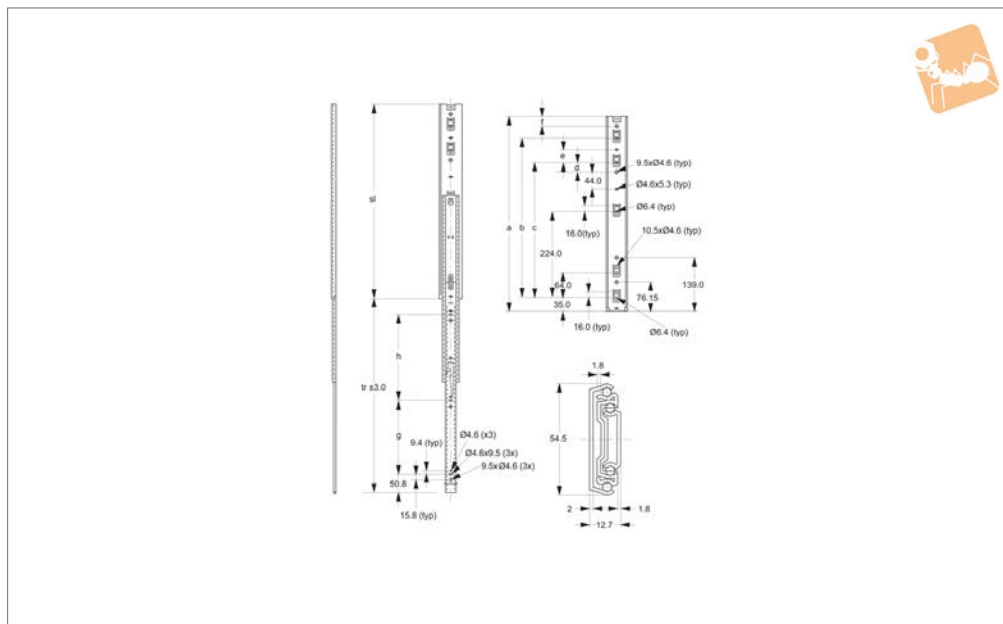
Important Notes

Load capacity is static load per pair, at the

Order No.	Slide length sl	Slide travel tr	c	e	f	h	Load/pair kg max.	Weight g
L2062.AC0030	300	328	-	160	-	160	80	900
L2062.AC0035	350	375	-	224	-	224	80	1000
L2062.AC0040	400	425	128	256	128	256	80	1100
L2062.AC0045	450	475	160	320	160	320	80	1250
L2062.AC0050	500	525	192	352	160	352	80	1400
L2062.AC0055	550	574	192	416	224	416	80	1500
L2062.AC0060	600	610	256	480	256	480	80	1650
L2062.AC0065	650	674	256	512	256	512	80	1950
L2062.AC0070	700	720	288	576	288	574	80	2100



L2064



Material

Cold rolled steel, zinc plated.

Technical Notes

Hold-in detent when slide closed. Positive stop. Rails can be disconnected via pres-

sing disconnect lever.

These slides have been tested to 80,000 usage cycles.

Important Notes

Load capacity is static load per pair, at the

centre of the rails using all mounting

holes. **Sold individually as single slides.**

Order No.	Slide length sl	Slide travel tr ±3.0	b	c	d	e	f	g	h	Load/pair kg max.	Weight g
L2064.AC0304	304.8	304.8	-	-	-	-	-	96.0	128.0	60	740
L2064.AC0355	335.6	335.6	-	-	-	-	46.6	128.0	128.0	60	860
L2064.AC0406	406.4	406.4	288.0	-	-	-	33.4	160.0	160.0	60	985
L2064.AC0457	457.2	457.2	352.0	-	25.45	32.15	-	160.0	192.0	60	1110
L2064.AC0508	508.0	508.0	352.0	416.0	25.45	32.15	-	192.0	224.0	60	1250
L2064.AC0558	558.8	558.8	352.0	416.0	25.45	32.15	57.8	224.0	256.0	60	1380
L2064.AC0609	609.6	609.6	352.0	480.0	25.45	32.15	44.8	256.0	256.0	60	1500
L2064.AC0660	660.4	660.4	352.0	544.0	25.45	32.15	-	256.0	320.0	60	1620
L2064.AC0711	711.2	711.2	352.0	544.0	25.45	32.15	82.2	256.0	352.0	60	1750





Drawer Slide - Full Extension

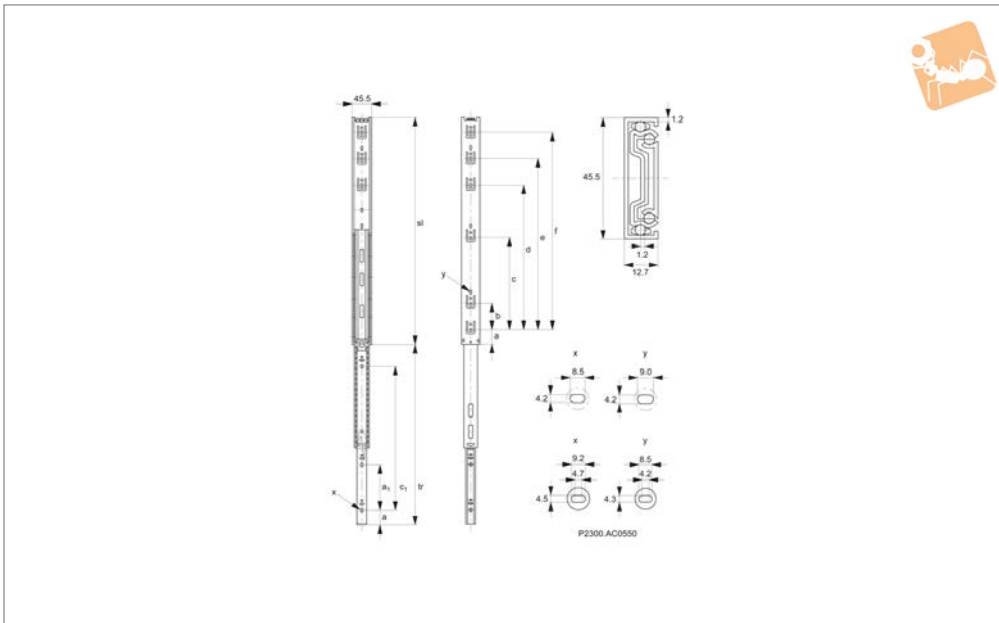
45 Kg load per pair

Telescopic Slides



L2066

TELESCOPIC SLIDES



Material

Cold rolled steel, zinc plated.

Technical Notes

Hold-in detent when slide closed. Positive stop. Rails can be disconnected via pres-

sing disconnect lever.

These slides have been tested to 60,000 usage cycles.

Important Notes

Load capacity is static load per pair, at the

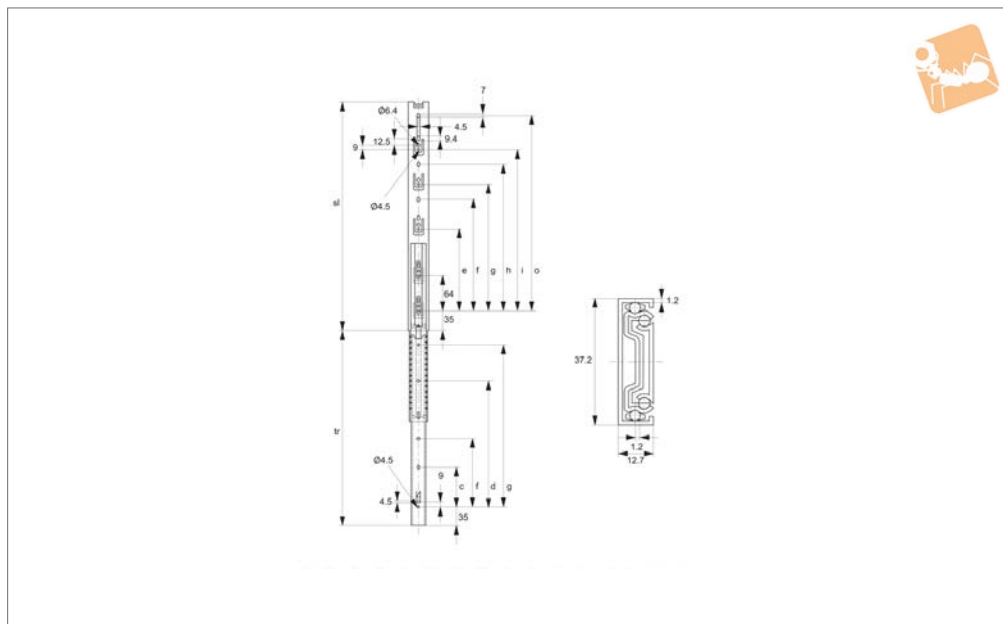
centre of the rails using all mounting holes. **Sold individually as single slides.**

Order No.	Slide length sl	Slide travel tr	a	b	b ₁	c	c ₁	d	e	f	Load/pair kg max.	Weight g
L2066.AC0250	250	250	35	160	160	-	-	-	-	-	45	390
L2066.AC0300	300	300	35	64	96	224	192	-	-	-	45	470
L2066.AC0350	350	350	35	64	128	224	256	-	-	-	45	555
L2066.AC0400	400	400	35	64	128	224	320	288	-	-	45	635
L2066.AC0450	450	450	35	64	160	224	352	352	-	-	45	745
L2066.AC0500	500	500	35	64	192	224	416	352	416	-	45	795
L2066.AC0550	550	550	35	64	224	224	448	352	416	-	45	880
L2066.AC0600	600	600	35	64	224	224	512	352	480	-	45	970
L2066.AC0650	650	650	35	64	256	224	544	352	512	-	45	1050
L2066.AC0700	700	700	35	64	288	224	608	352	480	608	45	1130





L2068



Material

Cold rolled steel, zinc plated.

Technical Notes

Hold-in detent when slide closed. Positive stop. Rails can be disconnected via pres-

sing disconnect lever.

These slides have been tested to 60,000 usage cycles.

Important Notes

Load capacity is static load per pair, at the

centre of the rails using all mounting

holes. **Sold individually as single slides.**

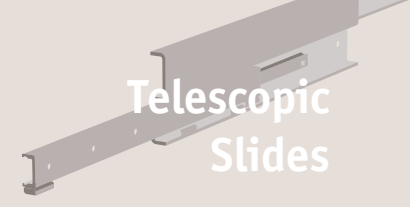
Order No.	Slide length sl	Slide travel tr	c	d	e	f	g	h	i	o	Load/pair kg max.	Weight g
L2068.AC0250	250	254	160	-	-	-	-	-	160	-	30	300
L2068.AC0300	300	305	96	192	160	-	-	-	224	-	30	400
L2068.AC0350	350	356	128	256	150	-	-	-	224	-	30	450
L2068.AC0400	400	406	128	320	150	-	-	224	288	-	30	500
L2068.AC0450	450	457	160	352	150	-	-	224	352	-	30	510
L2068.AC0500	500	508	192	416	160	224	288	352	416	-	30	650
L2068.AC0550	550	552	224	448	160	224	288	352	416	480	30	700



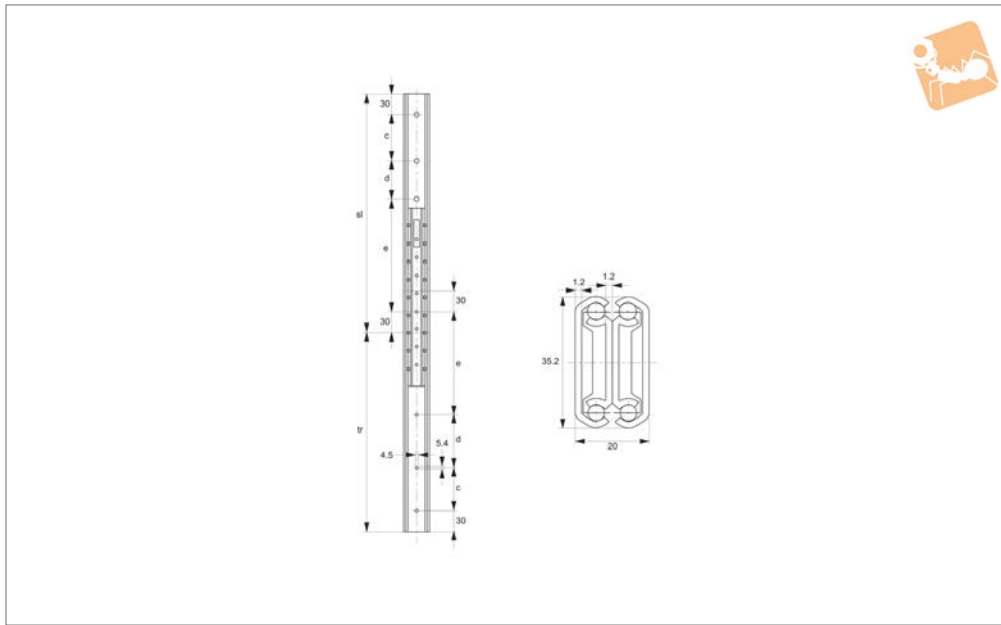


Drawer Slide - Full Extension

60 Kg load per pair



Telescopic Slides



L2070

TELESCOPIC SLIDES

Material
Cold rolled steel, zinc plated.

These slides have been tested to 60,000 usage cycles.

centre of the rails using all mounting holes. **Sold individually as single slides.**

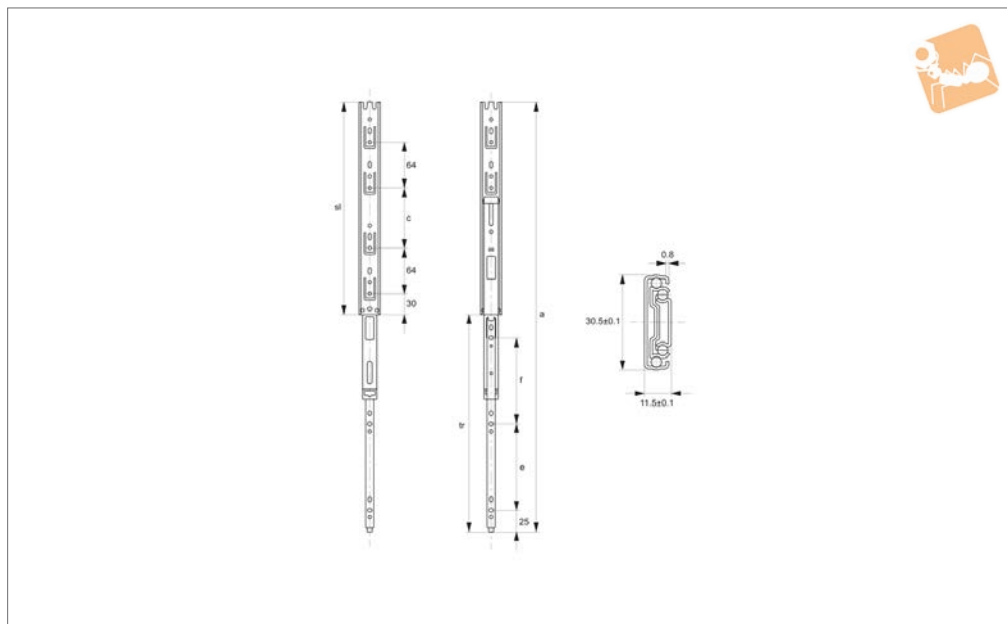
Technical Notes
Positive stop.

Important Notes
Load capacity is static load per pair, at the

Order No.	Slide length sl	Slide travel tr	c	d	e	Load/pair kg max.	Weight g
L2070.AC0300	300	300	98	49	98	60	600
L2070.AC0350	350	350	98	98	98	60	700
L2070.AC0400	400	400	127	84	126	60	800
L2070.AC0450	450	450	127	135	127	60	900
L2070.AC0500	500	500	160	120	160	60	1000



L2072



Material

Cold rolled steel. Finishing: black

Technical Notes

Hold-in detent when slide closed. Positive stop. Rails can be disconnected via pres-

sing disconnect lever.

These slides have been tested to 60,000 usage cycles.

Important Notes

Load capacity is static load per pair, at the

centre of the rails using all mounting

holes. **Sold individually as single slides.**

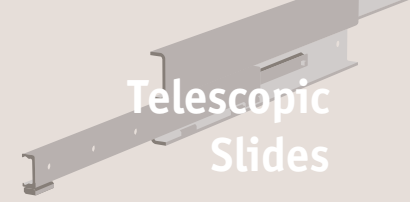
Order No.	Slide length sl	Slide travel tr	a	c	e	f	Load/pair kg max.	Weight g
L2072.AC0200	200	200	400	71	71	71	20	257
L2072.AC0250	250	250	500	99	96	96	20	315
L2072.AC0300	300	300	600	85	121	121	20	370
L2072.AC0350	350	350	700	135	146	146	20	425
L2072.AC0400	400	400	800	185	171	171	20	480
L2072.AC0450	450	450	900	235	191	191	20	532



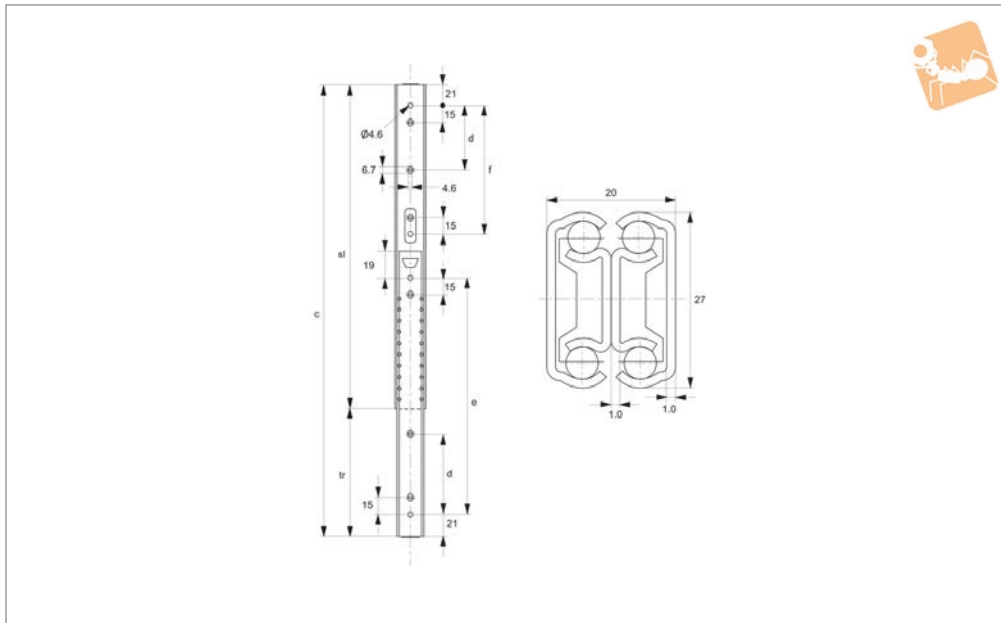


Drawer Slide - Full Extension

30 Kg load per pair - **stainless**



Telescopic Slides



L2080

TELESCOPIC SLIDES

Material

Stainless steel AISI 304. Bright finish.

These slides have been tested to 60,000 usage cycles.

centre of the rails using all mounting holes. **Sold individually as single slides.**

Technical Notes

Positive stop.

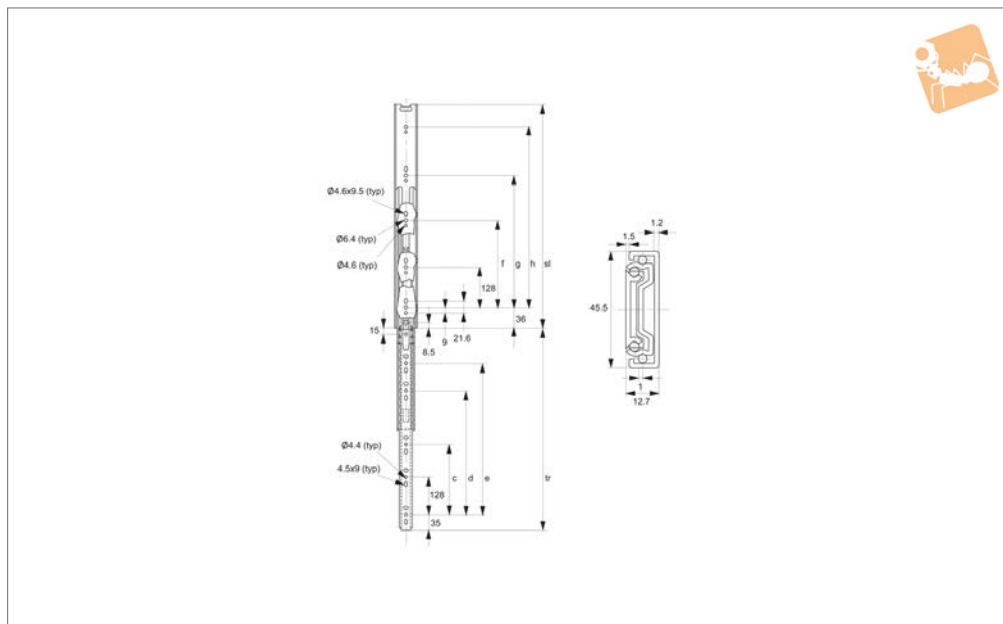
Important Notes

Load capacity is static load per pair, at the

Order No.	Slide length sl	Slide travel tr	c	d	e	f	Load/pair kg max.	Weight g
L2080.AC0200	200	210	415	-	-	-	30	280
L2080.AC0250	250	260	515	85	210	-	30	345
L2080.AC0300	300	310	615	160	260	260	30	415
L2080.AC0350	350	360	715	210	310	310	30	500
L2080.AC0400	400	410	815	180	360	360	30	590
L2080.AC0450	450	460	915	230	410	410	30	645
L2080.AC0500	500	510	1015	280	460	460	30	705
L2080.AC0550	550	560	1100	230	352	352	30	740



L2082



Material

Stainless steel AISI 304. Bright finish.

Technical Notes

Hold-in detent when slide closed. Positive stop. Rails can be disconnected via pres-

sing disconnect lever.

These slides have been tested to 60,000 usage cycles.

Important Notes

Load capacity is static load per pair, at the

centre of the rails using all mounting

holes. **Sold individually as single slides.**

Order No.	Slide length sl	Slide travel tr	c	d	e	f	g	h	Load/pair kg max.	Weight g
L2082.AC0300	300	312	128	-	-	-	-	-	45	500
L2082.AC0350	350	362	128	-	-	-	-	-	45	590
L2082.AC0400	400	412	128	224	-	-	-	-	45	670
L2082.AC0450	450	462	128	224	-	-	-	-	45	775
L2082.AC0500	500	512	128	224	320	-	320	-	45	830
L2082.AC0550	550	562	128	224	352	-	352	-	45	910
L2082.AC0600	600	612	128	224	352	416	352	-	45	990
L2082.AC0700	700	705	320	514	630	255	450	630	45	1100