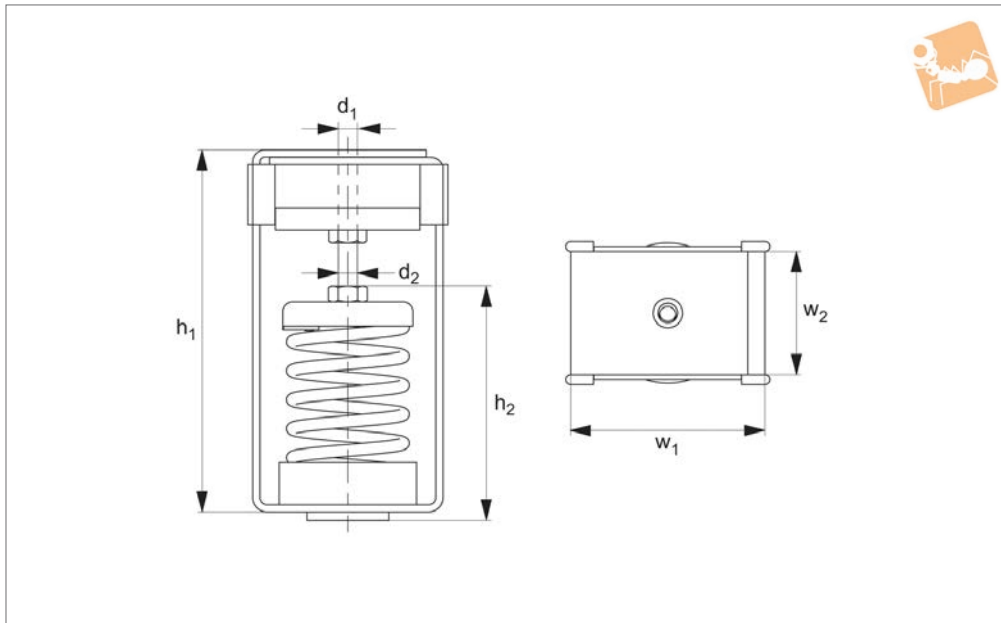




Acoustic Ceiling Hangers with spring and pad

Anti-Vibration Components



P2500.AV

ANTI-VIBRATION COMPONENTS

Material

Zinc plated steel (anti-corrosive treatment) with Sylomer® pad and steel spring.

Technical Notes

These hangers come in six different steel

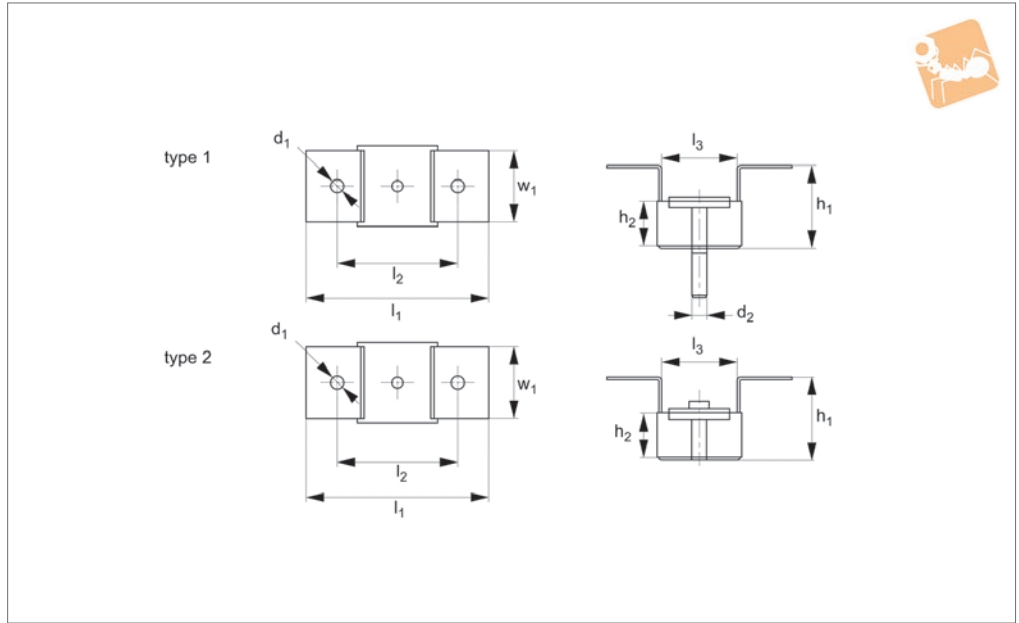
spring strengths for increasing loads.

The metal housing has an anti-corrosive treatment, which can with stand very harsh conditions and also resist high tensile stresses up to 1000kg.

Order No.	d ₁	w ₁	h ₁	d ₂	h ₂	w ₂	Compression max.	Load kgf max.
P2500.150-025	12	79	150	M8	94	50	18	25
P2500.150-050	12	79	150	M8	94	50	18	50
P2500.150-075	12	79	150	M8	94	50	18	75
P2500.150-100	12	79	150	M8	94	50	18	100
P2500.150-125	12	79	150	M8	94	50	20	125
P2500.150-150	12	79	150	M8	94	50	20	150



P2501



Material

Zinc plated steel (anti-corrosive treatment) with Sylomer® pad.

Technical Notes

These hangers are manufactured with two

different mixes of Sylomer® for the two different load ratings. The metal parts can withstand tensile stresses from 650kg - 1000kg.

They are put through an anti-corrosive

treatment, which can withstand harsh conditions.

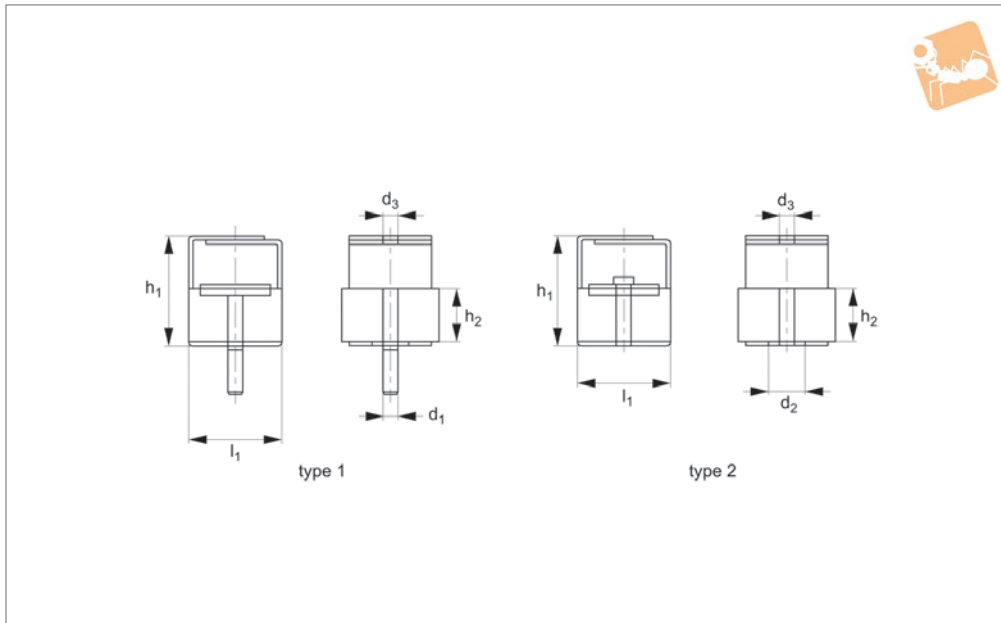
Order No.	Type	d ₁	w ₁	h ₁	d ₂	h ₂	l ₁	l ₂	l ₃	Compression max.	Load kgf max.
P2501.100-030	Type 1	7	40	46.5	M6	25	100	66.0	40	8	30
P2501.100-075	Type 1	7	40	46.5	M6	25	100	66.0	40	6	75
P2501.135-060	Type 1	11	55	65.0	M6	25	130	98.5	49	9	60
P2501.135-150	Type 1	11	55	65.0	M6	25	130	98.5	49	6	150
P2501.100-230	Type 2	7	40	46.5	M6	25	100	66.0	40	8	30
P2501.100-275	Type 2	7	40	46.5	M6	25	100	66.0	40	6	75
P2501.135-260	Type 2	11	55	65.0	M6	25	130	98.5	49	9	60
P2501.135-350	Type 2	11	55	65.0	M6	25	130	98.5	49	6	150



Acoustic Ceiling Hangers without nut

without nut

Anti-Vibration Components



P2502

ANTI-VIBRATION COMPONENTS

Material

Zinc plated steel (anti-corrosive treatment) with Sylomer® pad.

Technical Notes

These hangers are manufactured with two

different mixes of Sylomer® for the two different load ratings. The metal parts can withstand tensile stresses from 650kg - 1000kg.

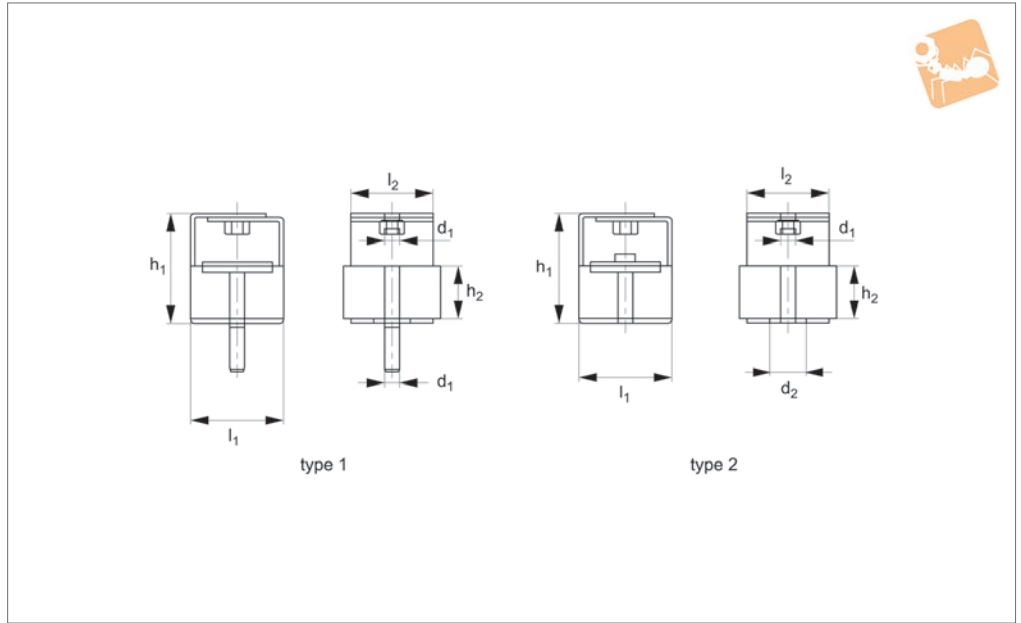
They are put through an anti-corrosive

treatment, which can withstand harsh conditions.

Order No.	Type	d ₁	h ₁	d ₂	d ₃	h ₂	l ₁	Compression max.	Load kgf max.
P2502.044-030	Type 1	M6	47	18	8	25	44	8	30
P2502.044-075	Type 1	M6	47	18	8	25	44	6	75
P2502.044-230	Type 2	M6	47	18	8	25	44	8	30
P2502.044-275	Type 2	M6	47	18	8	25	44	6	75
P2502.056-060	Type 1	M6	67	18	55	25	56	9	60
P2502.056-150	Type 1	M6	67	18	55	25	56	6	150
P2502.056-260	Type 2	M6	67	18	55	25	56	9	60
P2502.056-350	Type 2	M6	67	18	55	25	56	6	150



P2503



Material

Zinc plated steel (anti-corrosive treatment) with Sylomer® pad.

Technical Notes

These hangers are manufactured with two

different mixes of Sylomer® for the two different load ratings. The metal parts can withstand tensile stresses from 650kg - 1000kg.

They are put through an anti-corrosive

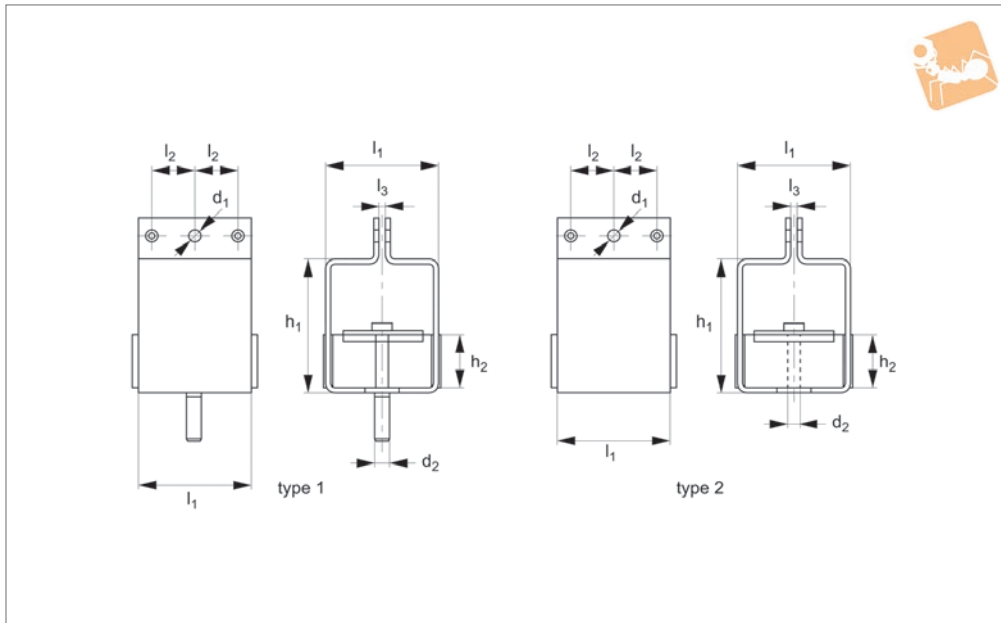
treatment, which can withstand harsh conditions.

Order No.	Type	d ₁	h ₁	d ₂	h ₂	l ₁	l ₂	Compression max.	Load kgf max.
P2503.044-030	Type 1	M6	47	18	25	44	39	8	30
P2503.044-075	Type 1	M6	47	18	25	44	39	6	75
P2503.044-230	Type 2	M6	47	18	25	44	39	8	30
P2503.044-275	Type 2	M6	47	18	25	44	39	6	75



Acoustic Ceiling Hangers with eyebeam fixing

Anti-Vibration Components



P2504

ANTI-VIBRATION COMPONENTS

Material

Zinc plated steel (anti-corrosive treatment) with Sylomer® pad.

Technical Notes

These hangers are manufactured with two

different mixes of Sylomer® for the two different load ratings. The metal parts can withstand tensile stresses from 650kg - 1000kg.

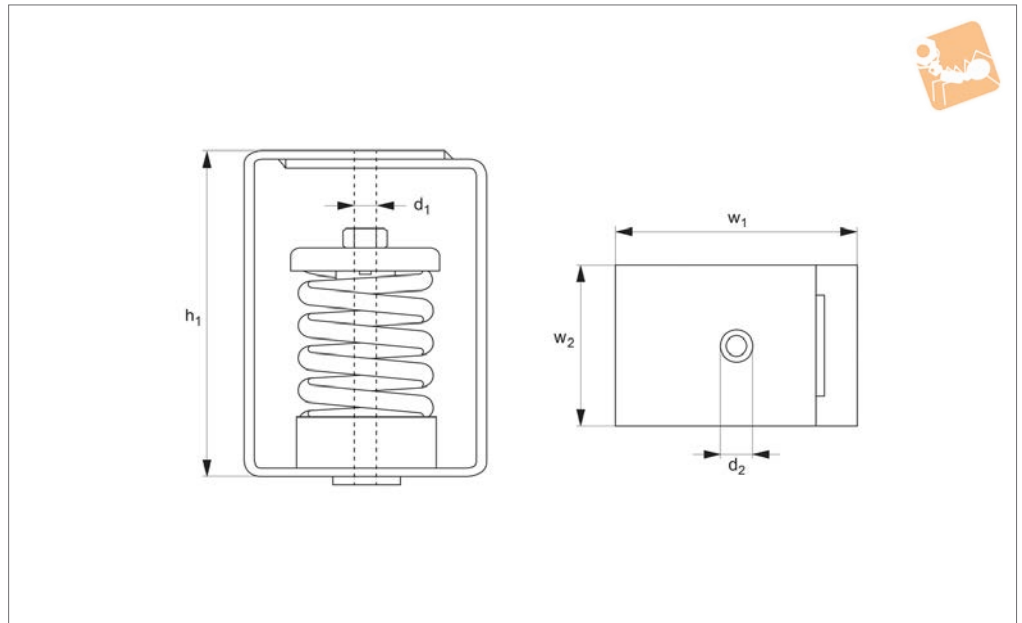
They are put through an anti-corrosive

treatment, which can withstand harsh conditions.

Order No.	Type	d ₁	h ₁	d ₂	h ₂	l ₁	l ₂	l ₃	Compression max.	Load kgf max.
P2504.055-060	Type 1	6	65	M6	25	55	21	3	9	60
P2504.055-150	Type 1	6	65	M6	25	55	21	3	6	150
P2504.055-260	Type 2	6	65	M6	25	55	21	3	9	60
P2504.055-350	Type 2	6	65	M6	25	55	21	3	6	150



P2551



Material

Zinc plated steel (anti-corrosive treatment).

where objects are suspended from ceilings. The spring in the body provides good anti-vibration properties.

load to be carried per unit. These hanger can be used for fans, distribution pipes, ducts and acoustic ceilings.

Technical Notes

These units are designed for installations

Tips

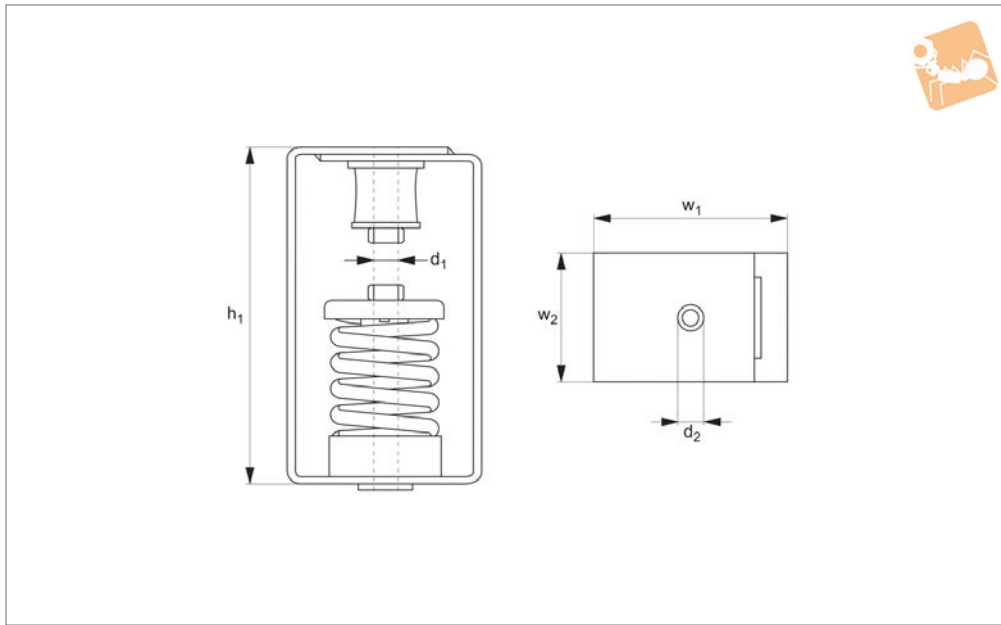
Select the damper corresponding to the

Order No.	d ₁	w ₁	h ₁	d ₂	w ₂	Load kgf max.
P2551.025	M 8	75	120	12	50	25
P2551.050	M 8	75	120	12	50	50
P2551.075	M 8	75	120	12	50	75
P2551.100	M 8	75	120	12	50	100
P2551.125	M 8	75	120	12	50	125
P2551.150	M12	120	160	16	80	150
P2551.200	M12	120	160	16	80	200
P2551.250	M12	120	160	16	80	250
P2551.350	M12	120	160	16	80	350
P2551.500	M14	140	180	18	100	500
P2551.750	M14	140	180	18	100	750



Acoustic Suspension Hanger top top mount

Anti-Vibration Components



P2552

ANTI-VIBRATION COMPONENTS

Material

Zinc plated steel and rubber.

The spring in the body provides good anti-vibration properties.

These hanger can be used for fans, distribution pipes, ducts and acoustic ceilings.

Technical Notes

These units are designed for installations where objects are suspended from ceilings.

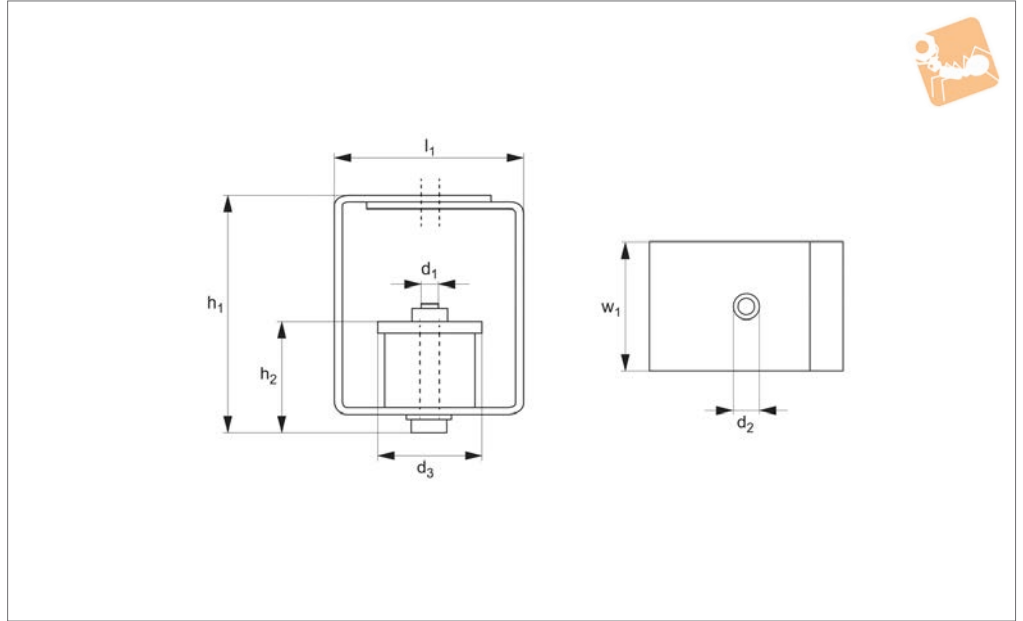
Tips

Select the damper corresponding to the load to be carried per unit.

Order No.	d ₁	w ₁	h ₁	d ₂	w ₂	h ₁	Load kgf max.
P2552.025	M8	75	150	12	50	25	25
P2552.050	M8	75	150	12	50	50	50
P2552.075	M8	75	150	12	50	75	75
P2552.100	M8	75	150	12	50	100	100
P2552.125	M8	75	150	12	50	125	125



P2553



Material

Steel anti-corrosive zinc plated, with rubber (50 shore A) cylinder.

where objects are suspended from ceilings. The spring in the body provides good anti-vibration properties.

load to be carried per unit. These hanger can be used for fans, distribution pipes, ducts and acoustic ceilings.

Technical Notes

These units are designed for installations

Tips

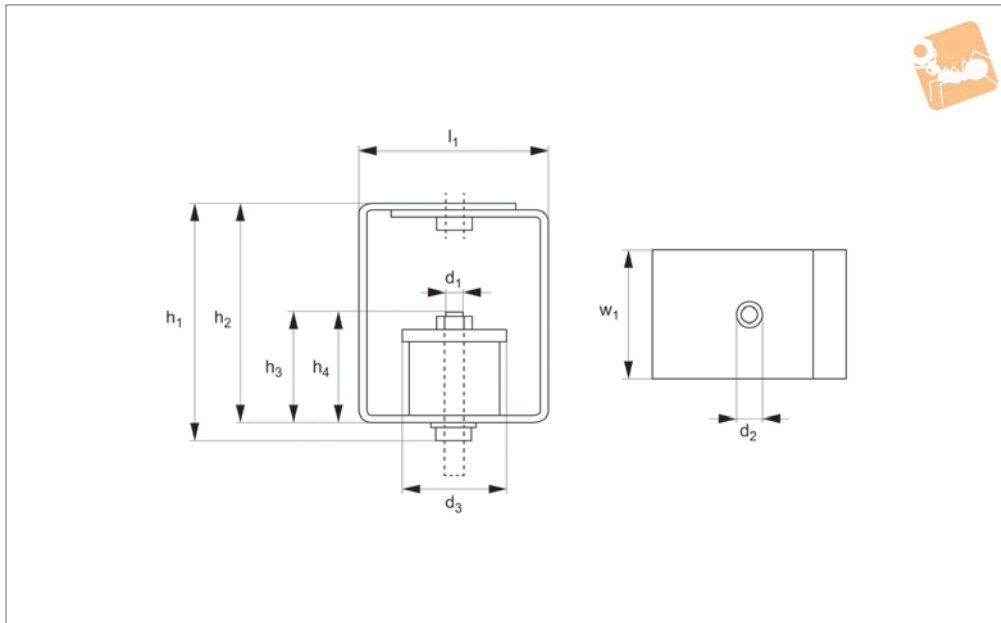
Select the damper corresponding to the

Order No.	d ₁	w ₁	h ₁	d ₂	d ₃	h ₂	l ₁	Load kgf max.
P2553.06-30	M6	40	47	8	30	30	40	30
P2553.06-60	M6	40	47	8	30	30	40	60



Acoustic Suspension Hanger with nut

Anti-Vibration Components



P2554

ANTI-VIBRATION COMPONENTS

Material

Steel anti-corrosive zinc plated, with rubber (50 shore A) cylinder.

Technical Notes

These units are designed for installations

where objects are suspended from ceilings. The spring in the body provides good anti-vibration properties.

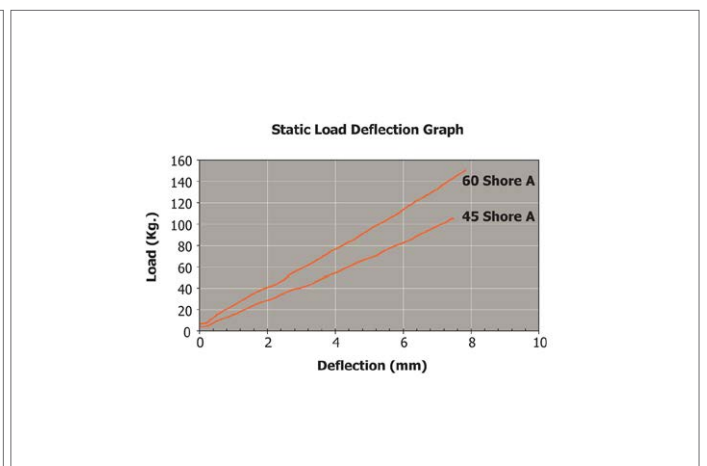
The metal hanger is designed to cope with loads up to 1000kg.

Tips

Select the damper corresponding to the load to be carried per unit.

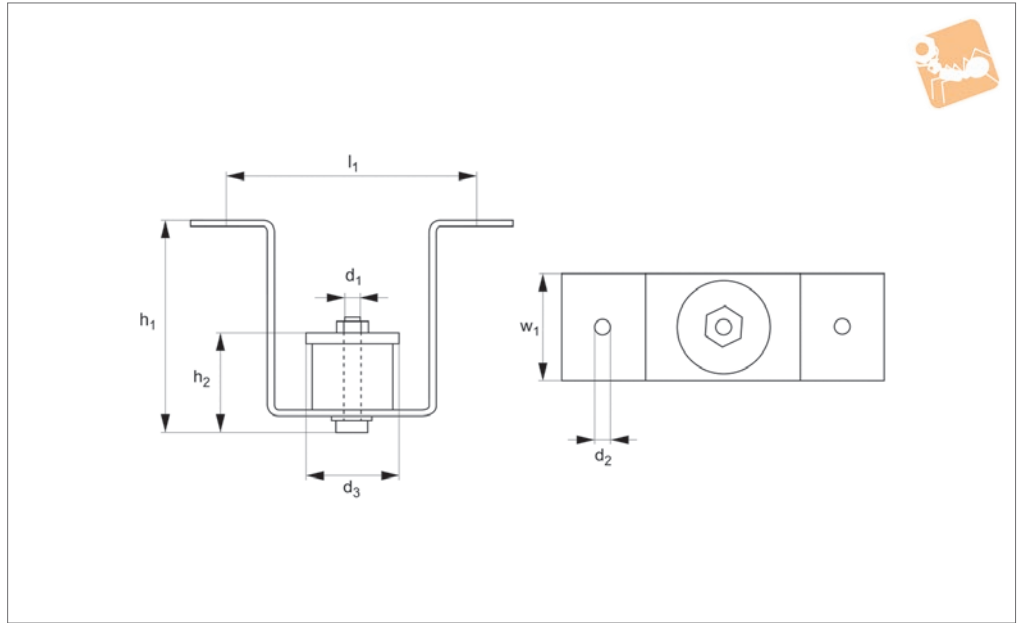
These hanger can be used for fans, distribution pipes, ducts and acoustic ceilings.

Order No.	d ₁	w ₁	h ₁	d ₂	d ₃	d ₄	h ₂	h ₃	h ₄	l ₁	Load range kgf
P2554.060-030	M 6	40	55.03	M 6	30	18	46.3	38	30	40	8-30
P2554.060-060	M 6	40	55.03	M 6	30	18	46.3	38	30	40	25-60
P2554.080-100	M 8	55	76.40	M 8	40	16	68.0	43	34	55	40-100
P2554.080-150	M 8	55	76.40	M 8	40	16	68.0	43	34	55	80-150





P2555



Material

Steel anti-corrosive zinc plated, with rubber (50 shore A) cylinder.

where objects are suspended from ceilings. The spring in the body provides good anti-vibration properties.

load to be carried per unit. These hanger can be used for fans, distribution pipes, ducts and acoustic ceilings.

Technical Notes

These units are designed for installations

Tips

Select the damper corresponding to the

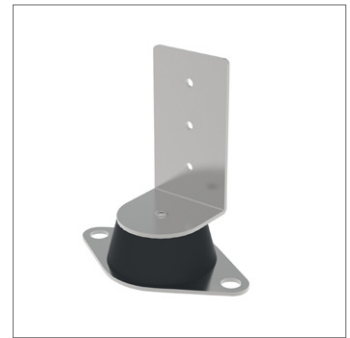
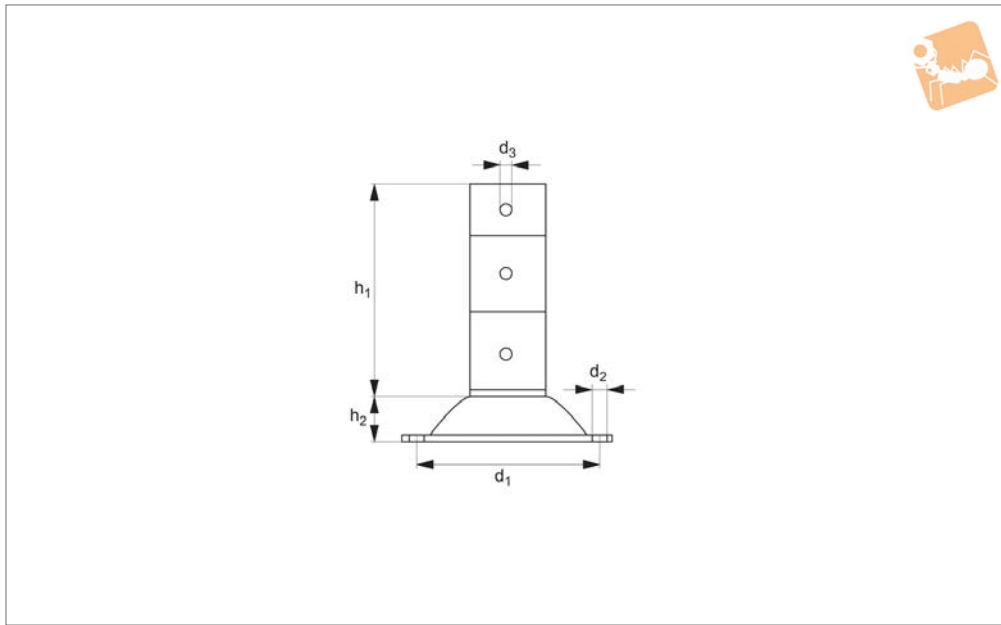
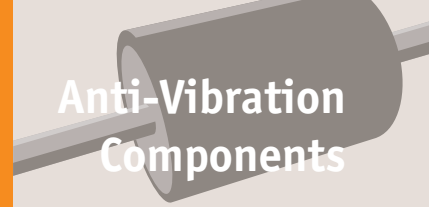
Order No.	d ₁	w ₁	h ₁	d ₂	d ₃	h ₂	l ₁	Load kgf max.
P2555.060-030	M6	40	50	7	30	30	66	30
P2555.060-060	M6	40	50	7	30	30	66	60
P2555.060-100	M8	55	75	11	40	38	98.5	100
P2555.060-150	M8	55	75	11	40	38	98.5	150



Acoustic Wall Damper right angle

right angle fixing

Anti-Vibration Components



P2556

ANTI-VIBRATION COMPONENTS

Material

Rubber on steel (zinc plated).

ceiling or the wall. The spring in the body provides good anti-vibration properties.

These hanger can be used for fans, distribution pipes, ducts and acoustic ceilings/walls.

Technical Notes

These units are designed for installations where objects are suspended from the

Tips

Select the damper corresponding to the load to be carried per unit.

Order No.	d ₁	h ₁	d ₂	d ₃	h ₂	Load kgf max.
P2556.76	76	72	6.5	4	24	10