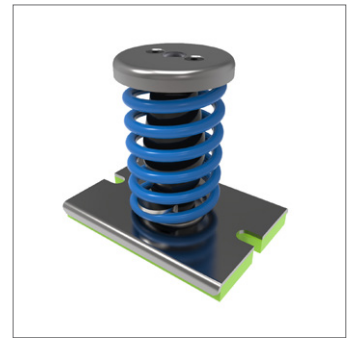
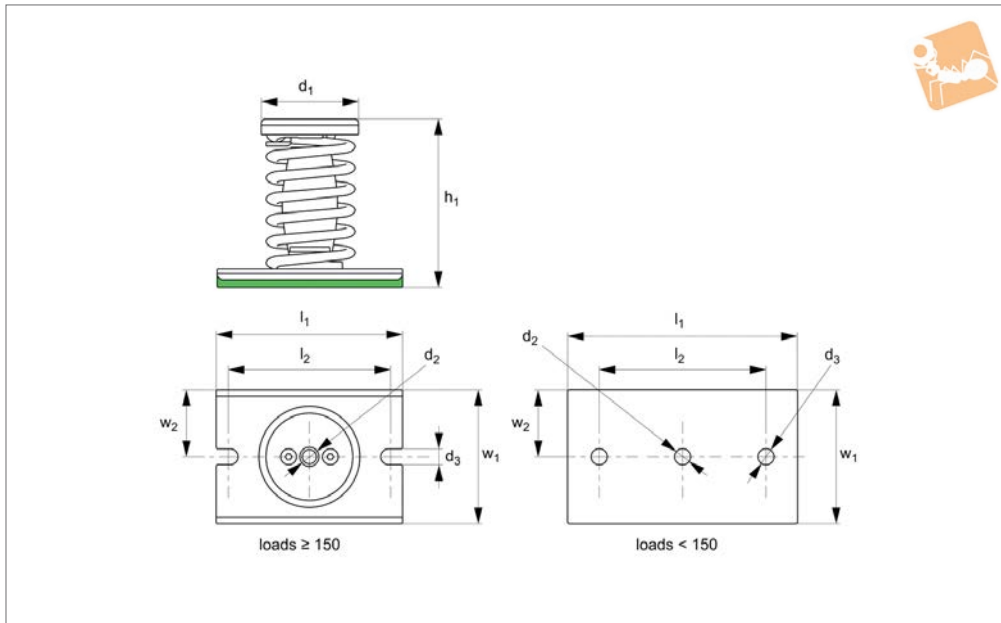




Spring Vibration Damper one spring one spring

Anti-Vibration Components



P2452

ANTI-VIBRATION COMPONENTS

Material

High tensile steel with sylomer anti-slide base.

porate, isolates the mid-high frequency vibrations which are transmitted through the coils of the metal springs.

compressors, pump and pumping equipment and acoustic isolation of premises.

Technical Notes

The sylomer mat that these dampers incor-

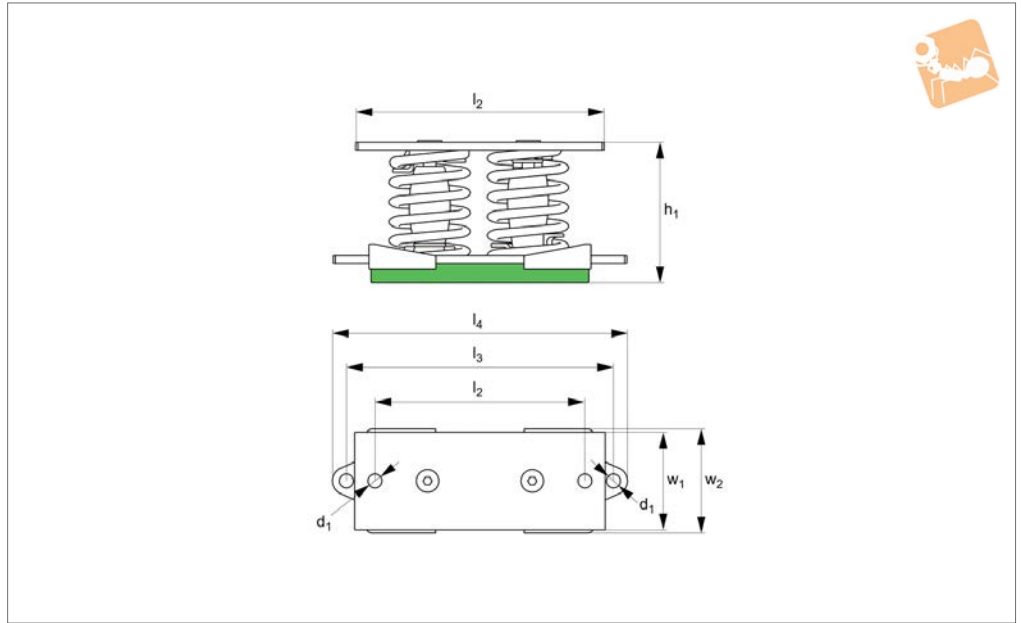
Tips

These are used in sectors such as air

Order No.	Spring colour	l_1	h_1	d_1	w_1	d_2	d_3	l_2	w_2	Compression max.	Load kgf max.	Weight kg
P2452.008-025	Black	100	78	54	69.5	M 8	8.5	80	34.75	20	25	0.29
P2452.008-050	Blue	100	78	54	69.5	M 8	8.5	80	34.75	20	50	0.27
P2452.008-075	Grey	100	78	54	69.5	M 8	8.5	80	34.75	20	75	0.30
P2452.008-100	Beige	100	78	54	69.5	M 8	8.5	80	34.75	20	100	0.35
P2452.008-125	White	100	78	54	69.5	M 8	8.5	80	34.75	20	125	0.395
P2452.012-150	Blue	140	127	75	98.5	M12	12	120	49.25	30	150	1.10
P2452.012-200	White	140	127	75	98.5	M12	12	120	49.25	30	200	1.14
P2452.012-250	Black	140	127	75	98.5	M12	12	120	49.25	30	250	1.23
P2452.012-350	Cream	140	127	75	98.5	M12	12	120	49.25	30	350	1.39
P2452.014-500	Light Grey	140	127	93	98.5	M14	12	120	49.25	18	500	2.56
P2452.014-750	Green	140	127	93	98.5	M14	12	120	49.25	18	750	3.04



P2453



Material

High tensile steel with sylomer anti-slide base

porate, isolates the mid-high frequency vibrations which are transmitted through the coils of the metal springs.

compressors, pump and pumping equipment and acoustic isolation of premises.

Technical Notes

The sylomer mat that these dampers incor-

Tips

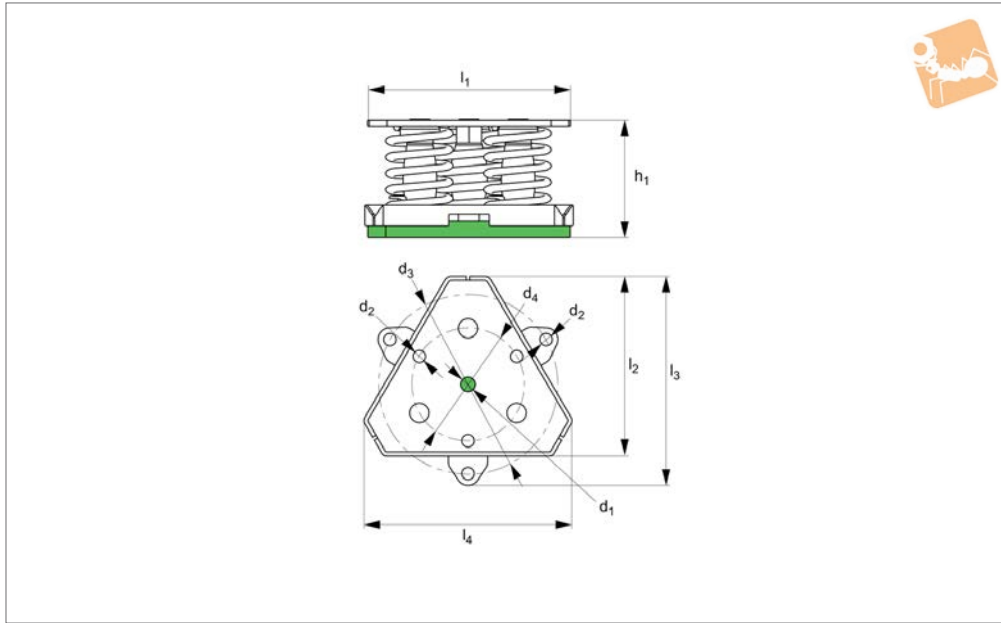
These are used in sectors such as air

Order No.	Spring colour	l_1	h	d	w_1	l_2	l_3	l_4	w_2	Compression max.	Load kgf max.	Weight kg
P2453.012-0300	Blue	200	136	12	75	170	220	244	81	30	300	3.10
P2453.012-0400	White	200	136	12	75	170	220	244	81	30	400	3.17
P2453.012-0500	Black	200	136	12	75	170	220	244	81	30	500	3.35
P2453.012-0700	Cream	200	136	12	75	170	220	244	81	30	700	3.70
P2453.014-1000	Light Grey	250	136	14	100	210	270	298	106	17	1000	5.90
P2453.014-1500	Green	250	136	14	100	210	270	298	106	17	1500	6.84



Spring Vibration Damper three spring three spring

Anti-Vibration Components



P2454

ANTI-VIBRATION COMPONENTS

Material

High tensile steel with sylomer anti-slide base

porate, isolates the mid-high frequency vibrations which are transmitted through the coils of the metal springs.

compressors, pump and pumping equipment and acoustic isolation of premises.

Technical Notes

The sylomer mat that these dampers incor-

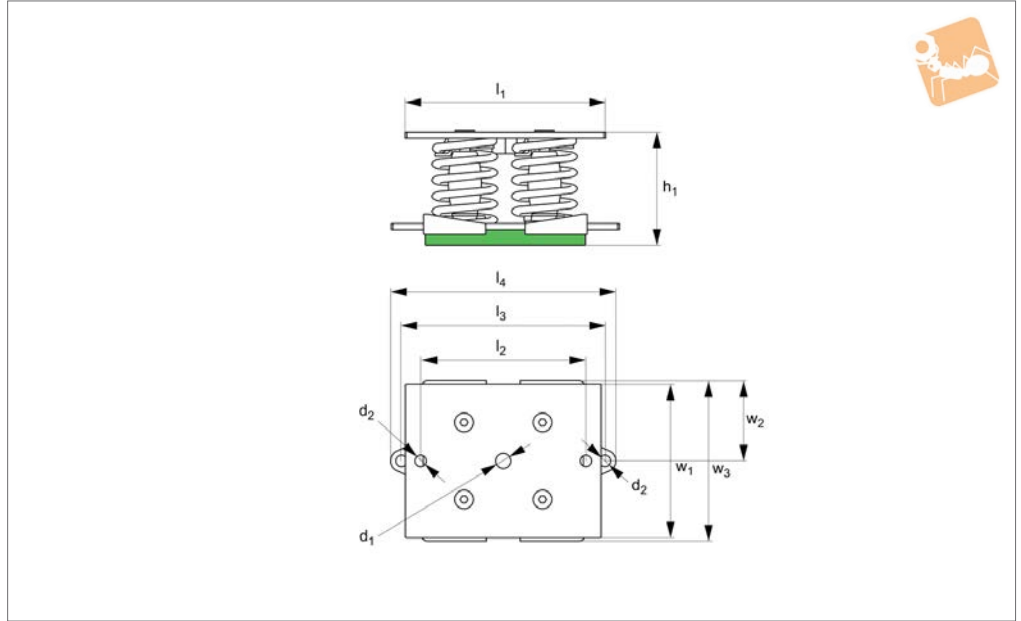
Tips

These are used in sectors such as air

Order No.	Spring colour	l_1	h	d_1	d_2	d_3	l_2	l_3	l_4	Compression max.	Load kgf max.	Weight kg
P2454.016-0450	Blue	196.3	136	M16	12	180	175	207.7	201.4	30	450	4.60
P2454.016-0600	White	196.3	136	M16	12	180	176	207.7	201.4	30	600	4.71
P2454.016-0750	Black	196.3	136	M16	12	180	176	207.7	201.4	30	750	4.98
P2454.016-1050	Cream	196.3	136	M16	12	180	176	207.7	201.4	30	1050	5.52
P2454.020-1500	Light Grey	246.0	136	M20	14	220	219	255.7	251.0	17	1500	8.56
P2454.020-2250	Green	246.0	136	M20	14	220	219	255.7	251.0	17	2250	9.96



P2455



Material

High tensile steel with sylomer anti-slide base.

porate, isolates the mid-high frequency vibrations which are transmitted through the coils of the metal springs.

compressors, pump and pumping equipment and acoustic isolation of premises.

Technical Notes

The sylomer mat that these dampers incor-

Tips

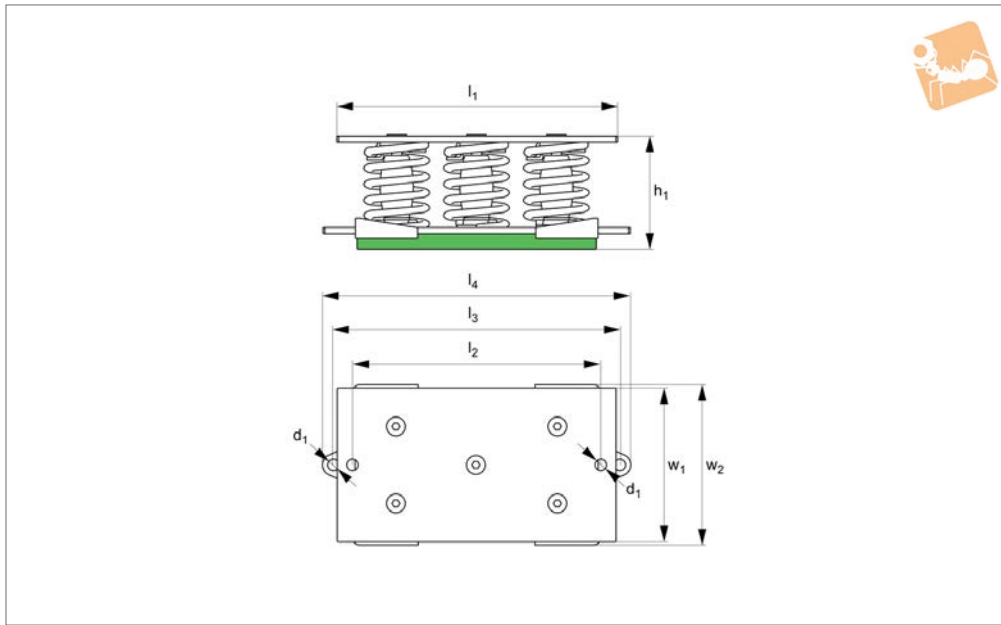
These are used in sectors such as air

Order No.	Spring colour	l_1	h	d_1	w_1	d_2	l_2	l_3	l_4	w_2	w_3	Compression max.	Load kgf max.	Weight kg
P2455.016-0600	Blue	200	136	M16	150	12	170	190	214	75	156	30	600	6.41
P2455.016-0800	White	200	136	M16	150	12	170	190	214	75	156	30	800	6.57
P2455.016-1000	Black	200	136	M16	150	12	170	190	214	75	156	30	1000	6.70
P2455.016-1400	Cream	200	136	M16	150	12	170	190	214	75	156	30	1400	7.64
P2455.020-2000	Light Grey	250	136	M20	200	14	210	260	288	100	206	18	2000	12.10
P2455.020-3000	Green	250	136	M20	200	14	210	260	288	100	206	18	3000	13.96



Spring Vibration Damper five spring five spring

Anti-Vibration Components



P2456

ANTI-VIBRATION COMPONENTS

Material

High tensile steel with sylomer anti-slide base.

porate, isolates the mid-high frequency vibrations which are transmitted through the coils of the metal springs.

compressors, pump and pumping equipment and acoustic isolation of premises.

Technical Notes

The sylomer mat that these dampers incor-

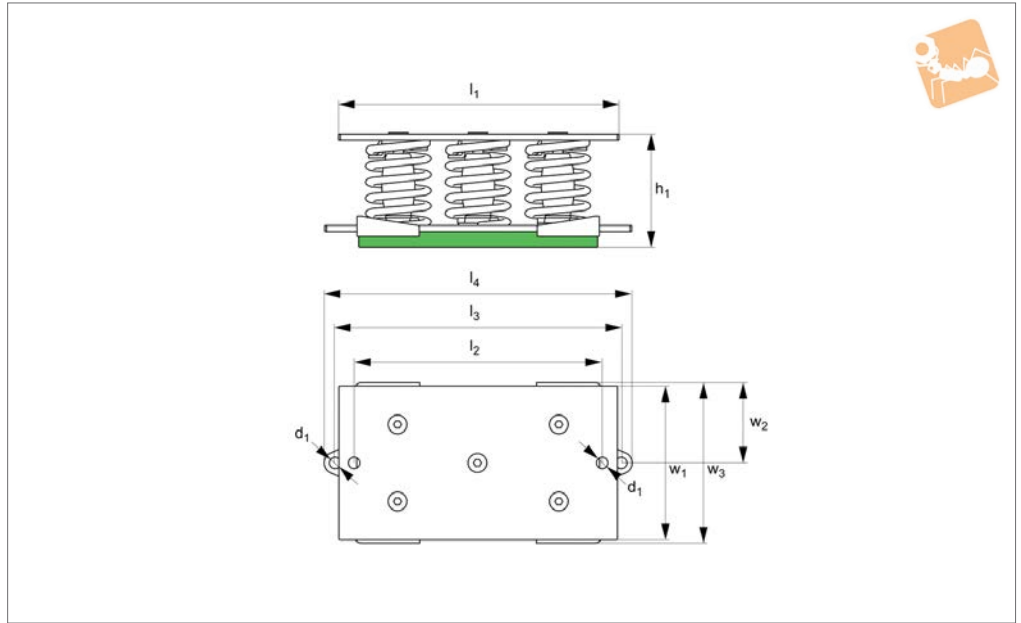
Tips

These are used in sectors such as air

Order No.	Spring colour	l_1	h	d	w_1	l_2	l_3	l_4	w_2	Compression max.	Load kgf max.	Weight kg
P2456.016-0750	Blue	280	136	16	150	251	290	322	156	30	750	8.50
P2456.016-1000	White	280	136	16	150	251	290	322	156	30	1000	8.69
P2456.016-1250	Black	280	136	16	150	251	290	322	156	30	1250	9.16
P2456.016-1750	Cream	280	136	16	150	251	290	322	156	30	1750	10.03
P2456.018-2500	Light Grey	350	136	18	200	315	360	396	206	18	2500	15.71
P2456.018-3750	Green	350	136	18	200	315	360	396	206	18	3750	18.05



P2457



Material

High tensile steel with sylomer anti-slide base.

porate, isolates the mid-high frequency vibrations which are transmitted through the coils of the metal springs.

compressors, pump and pumping equipment and acoustic isolation of premises.

Technical Notes

The sylomer mat that these dampers incor-

Tips

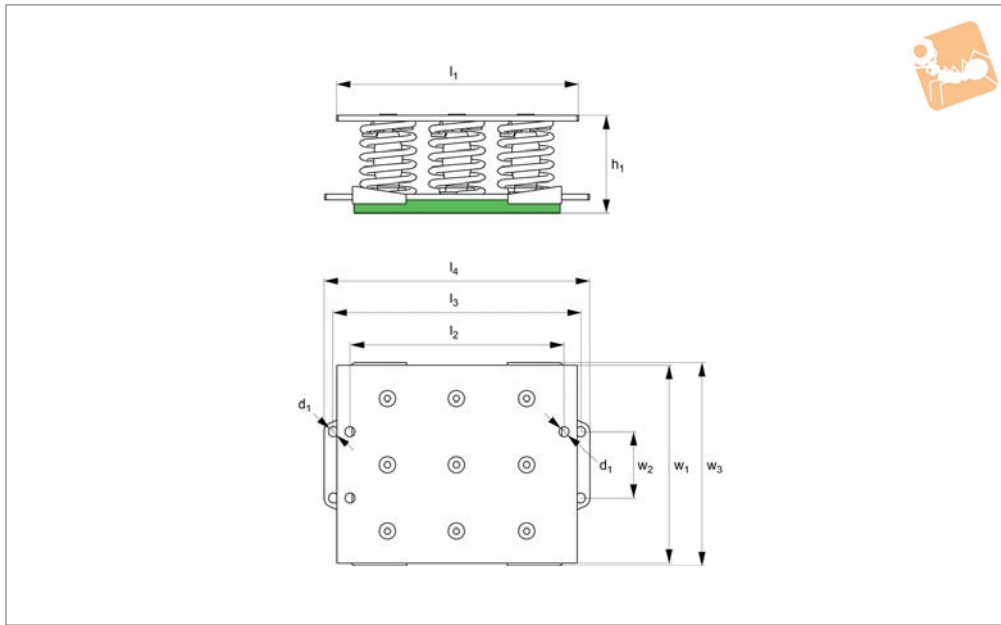
These are used in sectors such as air

Order No.	Spring colour	l_1	h	d	w_1	l_2	l_3	l_4	w_2	w_3	Compression max.	Load kgf max.	Weight kg
P2457.016-0900	Blue	280	136	16	150	248	290	322	75	156	30	900	8.93
P2457.016-1200	White	280	136	16	150	248	290	322	75	156	30	1200	9.16
P2457.016-1500	Black	280	136	16	150	248	290	322	75	156	30	1500	9.68
P2457.016-2100	Cream	280	136	16	150	248	290	322	75	156	30	2100	10.77
P2457.018-3000	Light Grey	350	136	18	200	300	360	396	100	206	18	3000	16.84
P2457.018-4500	Green	350	136	18	200	300	360	396	100	206	18	4500	19.65



Spring Vibration Damper nine spring nine spring

Anti-Vibration Components



P2458

ANTI-VIBRATION COMPONENTS

Material

High tensile steel with sylomer anti-slide base.

porate, isolates the mid-high frequency vibrations which are transmitted through the coils of the metal springs.

compressors, pump and pumping equipment and acoustic isolation of premises.

Technical Notes

The sylomer mat that these dampers incor-

Tips

These are used in sectors such as air

Order No.	Spring colour	l_1	h	d	w_1	l_2	l_3	l_4	w_2	w_3	Compression max.	Load kgf max.	Weight kg
P2458.016-1350	Blue	280	136	16	226	248	290	322	75	232	30	1350	13.70
P2458.016-1800	White	280	136	16	226	248	290	322	75	232	30	1800	14.04
P2458.016-2250	Black	280	136	16	226	248	290	322	75	232	30	2250	14.83
P2458.016-3150	Cream	280	136	16	226	248	290	322	75	232	30	3150	16.46
P2458.018-4500	Light Grey	350	136	18	300	310	360	396	150	306	18	4500	21.54
P2458.018-6750	Green	350	136	18	300	310	360	396	150	306	18	6750	31.75