



Available materials

- CC	Chrome steel AISI 52100 Balls. Machined AISI 1016 steel housing, toughened & zinc plated
Solve specific application requirements by upgrading materials. Select option by adding suffix i.e. - CS	
- CS	Stainless Steel Balls (AISI 420) but other materials as Standard. Reduce load by 30%.
- SS	All parts in Stainless Steel - out housing AISI 416, Balls AISI 420. Reduce load by 30%.
- CD	Acetal (POM) main ball option - reduce load. See chart overleaf

Fixing clip selection

Part No.	Ball Size	Minimum Bore ϕ	Maximum Bore ϕ
P2730.015	15	24,8	25,0
P2730.022	22	37,0	37,2
P2730.030	30	46,3	46,7

Clip requires a minimum plate thickness of 3mm to grip securely

How to select the correct unit

Ball Type	Max Load (Kg)	Friction (% of load)	Speed m/sec	Shock Loads		Arduous Conditions	Orientation	Instant Change
				✓✓✓	✓✓			
Medium Duty	20-3500	2%	1,5	✓✓✓	✓✓	✓✓		✓✓✓
Light Duty	7-250	3%	1,0	✓		✓✓		✓✓✓

Variables to consider:



Shock Loads:

Standard material ball units have Rockwell 'C' hardness of 60 minimum



Track Hardness/Conveyed Item Material:

Standard material ball units have Rockwell 'C' hardness of 60 minimum



Delicate Surfaces:

Ball Units - Acetal (POM) & Phenolic Resin

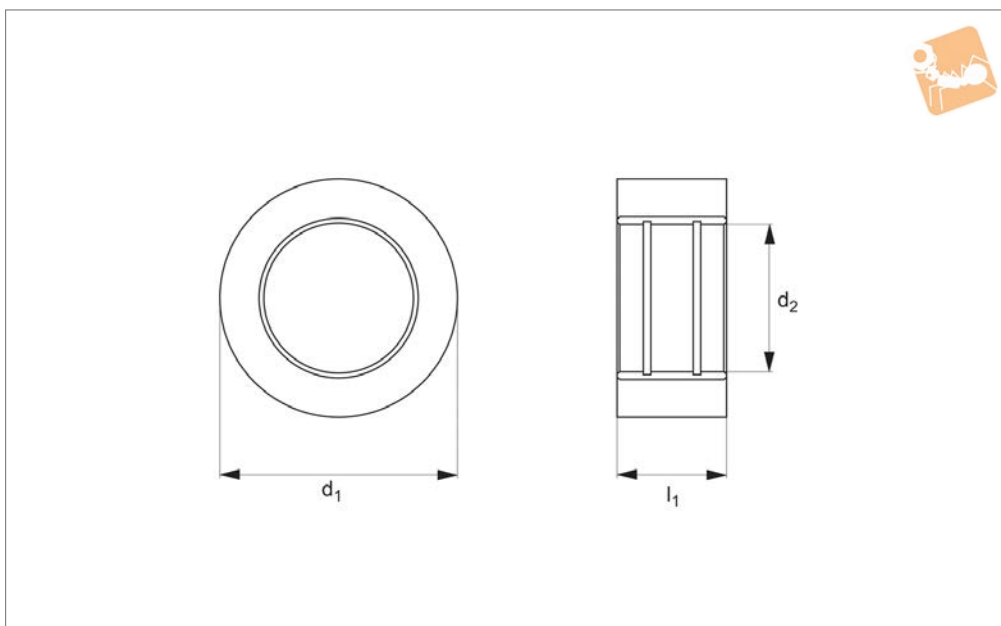


Operating Environment:

Wet, dirty, outdoor, radioactive



P2750



Material

Nitrile, urethane or neoprene bonded to a steel insert.

Hardness from 20-80 durometer (Shore A).

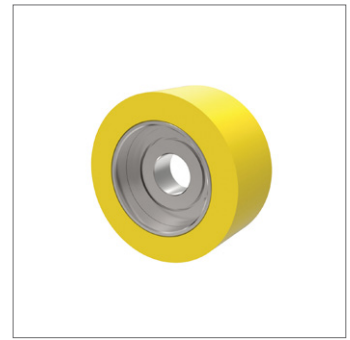
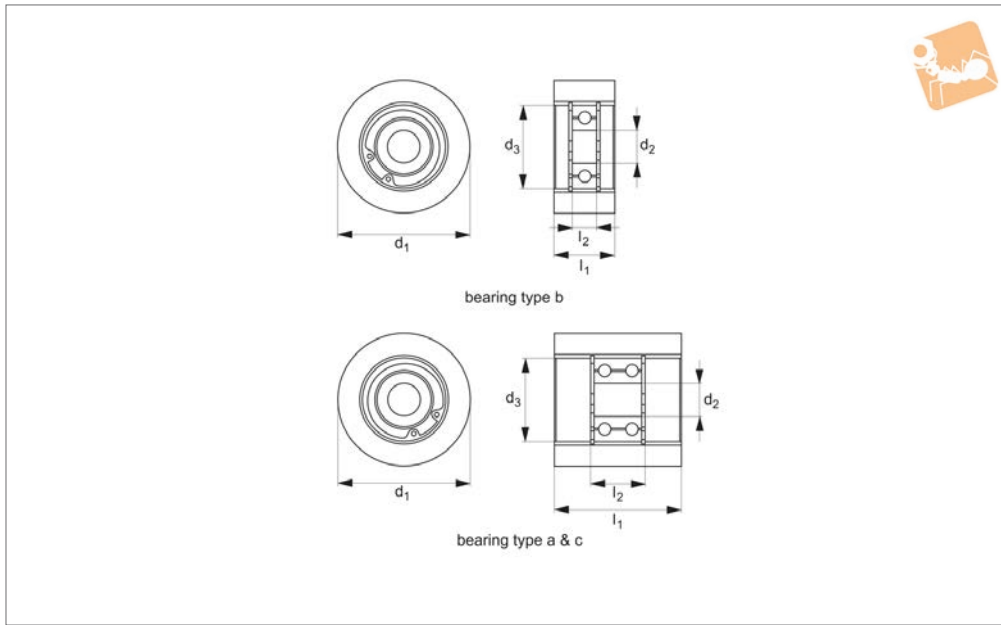
Technical Notes

Roller only - allows for custom mounting.

Order No.	Type	Durometer	d ₁	l ₁	d ₂	
					min.	max.
P2750.20B20NI	Nitrile	20	50,8 (2")	23,37 (0.92")	22,23	(1-1/8")
P2750.20B60NI	Nitrile	60	50,8 (2")	23,37 (0.92")	22,23	(1-1/8")
P2750.20C20NI	Nitrile	20	50,8 (2")	49,28 (1.94")	22,23	(1-1/8")
P2750.20C60NI	Nitrile	60	50,8 (2")	49,28 (1.94")	22,23	(1-1/8")
P2750.20D20NI	Nitrile	20	50,8 (2")	49,28 (1.94")	19,05	(1-1/4")
P2750.20D60NI	Nitrile	60	50,8 (2")	49,28 (1.94")	19,05	(1-1/4")
P2750.25A20NI	Nitrile	20	63,5 (2.5")	23,37 (0.92")	19,05	(1-1/4")
P2750.25A60NI	Nitrile	60	63,5 (2.5")	23,37 (0.92")	19,05	(1-1/4")
P2750.20B35UR	Urethane	35	50,8 (2")	23,37 (0.92")	22,23	(1-1/8")
P2750.20B80UR	Urethane	80	50,8 (2")	23,37 (0.92")	22,23	(1-1/8")
P2750.20D35UR	Urethane	35	50,8 (2")	49,28 (1.94")	19,05	(1-1/4")
P2750.20D80UR	Urethane	80	50,8 (2")	49,28 (1.94")	19,05	(1-1/4")
P2750.25A60UR	Urethane	60	63,5 (2.5")	23,37 (0.92")	19,05	(1-1/4")
P2750.20B20NP	Neoprene	20	50,8 (2")	23,37 (0.92")	19,05	(1-1/4")
P2750.20B60NP	Neoprene	60	50,8 (2")	23,37 (0.92")	22,23	(1-1/8")
P2750.20C20NP	Neoprene	20	50,8 (2")	49,28 (1.94")	22,23	(1-1/8")
P2750.20C60NP	Neoprene	60	50,8 (2")	49,28 (1.94")	22,23	(1-1/8")
P2750.20D20NP	Neoprene	20	50,8 (2")	49,28 (1.94")	19,05	(1-1/4")
P2750.20D60NP	Neoprene	60	50,8 (2")	49,28 (1.94")	19,05	(1-1/4")
P2750.25A20NP	Neoprene	20	63,5 (2.5")	23,37 (0.92")	19,05	(1-1/4")
P2750.25A60NP	Neoprene	60	63,5 (2.5")	23,37 (0.92")	19,05	(1-1/4")



Solid Roller bearing mount



P2752

MATERIAL HANDLING

Material

Nitrile, urethane or neoprene bonded to a steel insert.
Hardness from 20-80 durometer (Shore A).

Technical Notes

Bearings included (held in place with snap rings). For more details on bearings please

see technical pages.

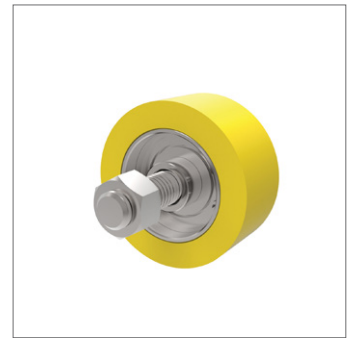
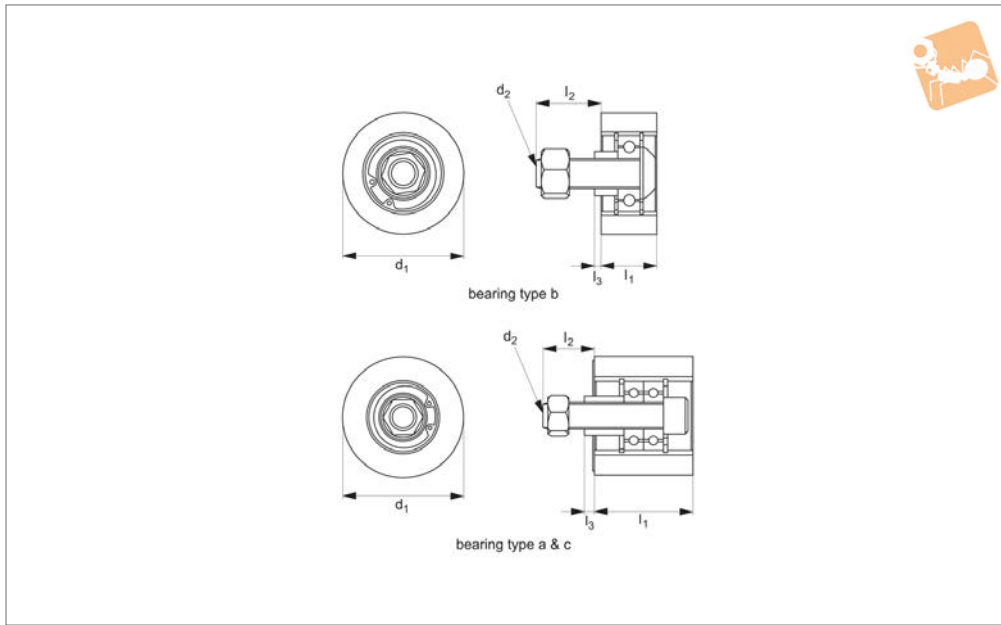
Tolerances:
When $d_1=38,10$
 $d_2 \pm 0.05$
 $d_3 \pm 0.07$
 $l_2 \pm 0.05$

When $d_1 > 38,10$
 $d_2 \pm 0,065$
 $d_3 \pm 0,065$
 $l_2 \pm 0,08$

Order No.	Material	Durometer	d_1	l_1	d_2	d_3	l_2	Bearing type
P2752.15A20NI	Nitrile	20	38,1 (1,5")	31.75	8.0	22.16	12.70	A
P2752.15A60NI	Nitrile	60	38,1 (1,5")	31.75	8.0	22.16	12.70	A
P2752.15A80NI	Nitrile	80	38,1 (1,5")	31.75	8.0	22.16	12.70	A
P2752.20A35NI	Nitrile	20	50,8 (2,0")	23.37	12.77	31.69	9.52	B
P2752.20A35NI	Nitrile	35	50,8 (2,0")	23.37	12.77	31.69	9.52	B
P2752.20B20NI	Nitrile	20	50,8 (2,0")	49.28	12.77	31.69	19.05	C
P2752.20B80NI	Nitrile	80	50,8 (2,0")	49.28	12.77	31.69	19.05	C
P2752.25A20NI	Nitrile	20	63,5 (2,5")	23.37	12.77	31.69	9.52	C
P2752.25A35NI	Nitrile	35	63,5 (2,5")	23.37	12.77	31.69	9.52	C
P2752.25A60NI	Nitrile	60	63,5 (2,5")	23.37	12.77	31.69	9.52	C
P2752.25A80NI	Nitrile	80	63,5 (2,5")	23.37	12.77	31.69	9.52	C
P2752.25B20NI	Nitrile	20	63,5 (2,5")	49.28	12.77	31.69	19.05	C
P2752.25B35NI	Nitrile	35	63,5 (2,5")	49.28	12.77	31.69	19.05	C
P2752.25B60NI	Nitrile	60	63,5 (2,5")	49.28	12.77	31.69	19.05	C
P2752.25B80NI	Nitrile	80	63,5 (2,5")	49.28	12.77	31.69	19.05	C
P2752.40A20NI	Nitrile	20	101,6 (4,0")	23.37	12.77	31.69	9.52	B
P2752.40A35NI	Nitrile	35	101,6 (4,0")	23.37	12.77	31.69	9.52	B
P2752.40A60NI	Nitrile	60	101,6 (4,0")	23.37	12.77	31.69	9.52	B
P2752.40A80NI	Nitrile	80	101,6 (4,0")	23.37	12.77	31.69	9.52	B
P2752.40B20NI	Nitrile	20	101,6 (4,0")	49.28	12.77	31.69	19.05	C
P2752.40B35NI	Nitrile	35	101,6 (4,0")	49.28	12.77	31.69	19.05	C
P2752.40B60NI	Nitrile	60	101,6 (4,0")	49.28	12.77	31.69	19.05	C
P2752.40B80NI	Nitrile	80	101,6 (4,0")	49.28	12.77	31.69	19.05	C
P2752.15A35UR	Urethane	35	38,1 (1,5")	31.75	8.0	22.16	12.70	A
P2752.15A80UR	Urethane	80	38,1 (1,5")	31.75	8.0	22.16	12.70	A
P2752.20A35UR	Urethane	35	50,8 (2,0")	23.37	12.77	31.69	9.52	B
P2752.20A60UR	Urethane	60	50,8 (2,0")	23.37	12.77	31.69	9.52	B
P2752.20A80UR	Urethane	80	50,8 (2,0")	23.37	12.77	31.69	9.52	B
P2752.25A35UR	Urethane	35	63,5 (2,5")	23.37	12.77	31.69	9.52	C
P2752.25A60UR	Urethane	60	63,5 (2,5")	23.37	12.77	31.69	9.52	C
P2752.25A80UR	Urethane	80	63,5 (2,5")	23.37	12.77	31.69	9.52	C



Order No.	Material	Durometer	d ₁	l ₁	d ₂	d ₃	l ₂	Bearing type
P2752.25B35UR	Urethane	35	63,5 (2,5")	49.28	12.77	31.69	19.05	C
P2752.25B60UR	Urethane	60	63,5 (2,5")	49.28	12.77	31.69	19.05	C
P2752.40A35UR	Urethane	35	101,6 (4,0")	23.37	12.77	31.69	9.52	B
P2752.40A60UR	Urethane	60	101,6 (4,0")	23.37	12.77	31.69	9.52	B
P2752.40A80UR	Urethane	80	101,6 (4,0")	23.37	12.77	31.69	9.52	B
P2752.40B35UR	Urethane	35	101,6 (4,0")	49.28	12.77	31.69	19.05	C
P2752.40B60UR	Urethane	60	101,6 (4,0")	49.28	12.77	31.69	19.05	C
P2752.40B80UR	Urethane	80	101,6 (4,0")	49.28	12.77	31.69	19.05	C
P2752.50A35UR	Urethane	35	127,0 (5,0")	49.28	12.77	31.69	19.05	C
P2752.50A60UR	Urethane	60	127,0 (5,0")	49.28	12.77	31.69	19.05	C
P2752.60A60UR	Urethane	60	152,4 (6,0")	49.28	12.77	31.69	19.05	C
P2752.15A20NP	Neoprene	20	38,1 (1,5")	31.75	8.0	22.16	12.70	A
P2752.15A35NP	Neoprene	35	38,1 (1,5")	31.75	8.0	22.16	12.70	A
P2752.15A60NP	Neoprene	60	38,1 (1,5")	31.75	8.0	22.16	12.70	A
P2752.20B35NP	Neoprene	35	50,8 (2,0")	49.28	12.77	31.69	19.05	C
P2752.20B80NP	Neoprene	80	50,8 (2,0")	49.28	12.77	31.69	19.05	C
P2752.25A20NP	Neoprene	20	63,5 (2,5")	23.37	12.77	31.69	9.52	C
P2752.25A35NP	Neoprene	35	63,5 (2,5")	23.37	12.77	31.69	9.52	C
P2752.25A60NP	Neoprene	60	63,5 (2,5")	23.37	12.77	31.69	9.52	C
P2752.25A80NP	Neoprene	80	63,5 (2,5")	23.37	12.77	31.69	9.52	C
P2752.25B20NP	Neoprene	20	63,5 (2,5")	49.28	12.77	31.69	19.05	C
P2752.25B35NP	Neoprene	35	63,5 (2,5")	49.28	12.77	31.69	19.05	C
P2752.25B60NP	Neoprene	60	63,5 (2,5")	49.28	12.77	31.69	19.05	C
P2752.25B80NP	Neoprene	80	63,5 (2,5")	49.28	12.77	31.69	19.05	C
P2752.40A20NP	Neoprene	20	101,6 (4,0")	23.37	12.77	31.69	9.52	B
P2752.40A35NP	Neoprene	35	101,6 (4,0")	23.37	12.77	31.69	9.52	B
P2752.40A60NP	Neoprene	60	101,6 (4,0")	23.37	12.77	31.69	9.52	B
P2752.40A80NP	Neoprene	80	101,6 (4,0")	23.37	12.77	31.69	9.52	B
P2752.40B20NP	Neoprene	20	101,6 (4,0")	49.28	12.77	31.69	19.05	C



P2754

MATERIAL HANDLING

Material

Nitrile, urethane or neoprene bonded to a steel insert.
Hardness from 20-80 durometer (Shore A).

Technical Notes

Bearings included (held in place with snap rings). For more details on bearings please see technical pages. Assembled with socket

head cap screw, spacer and lock nut.

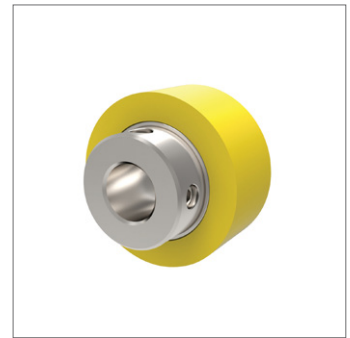
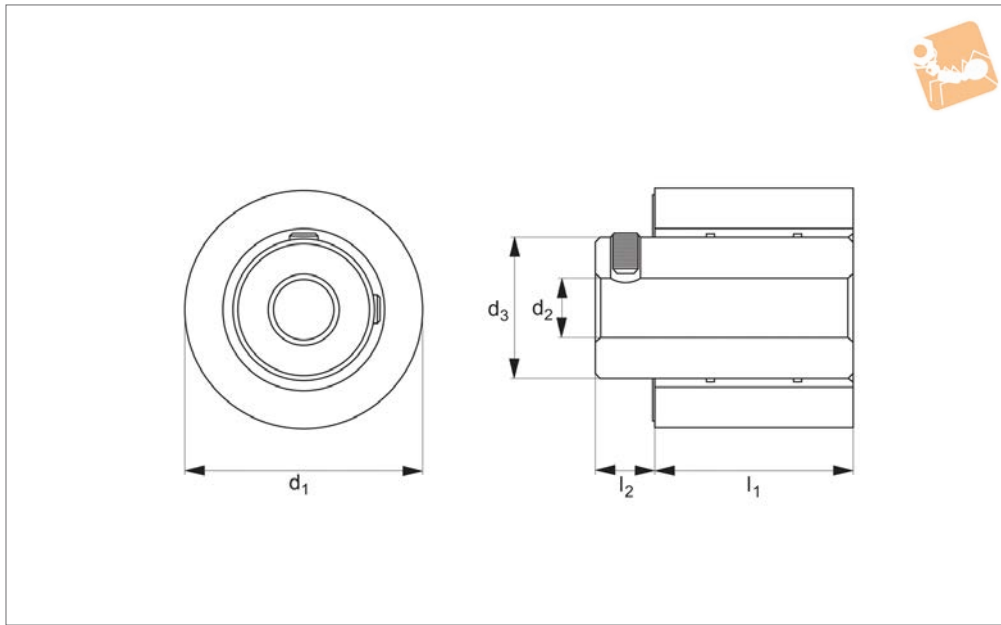
Order No.	Material	Durometer	d_1	l_1	d_2	l_2	l_3	Bearing type
P2754.15A20NI	Nitrile	20	38,1 (1,5")	31.80	5/16-18"	16.00	3.05	A
P2754.20A20NI	Nitrile	20	50,8 (2,0")	23.37	1/2-13"	27.94	3.05	B
P2754.20A35NI	Nitrile	35	50,8 (2,0")	23.37	1/2-13"	27.94	3.05	B
P2754.20A60NP	Nitrile	60	50,8 (2,0")	23.37	1/2-13"	27.94	3.05	B
P2754.20A80NI	Nitrile	80	50,8 (2,0")	23.37	1/2-13"	27.94	3.05	B
P2754.20B20NI	Nitrile	20	50,8 (2,0")	49.28	1/2-13"	35.81	6.35	C
P2754.20B35NI	Nitrile	35	50,8 (2,0")	49.28	1/2-13"	35.81	6.35	C
P2754.20B60NI	Nitrile	60	50,8 (2,0")	49.28	1/2-13"	35.81	6.35	C
P2754.20B80NI	Nitrile	80	50,8 (2,0")	49.28	1/2-13"	35.81	6.35	C
P2754.25A20NI	Nitrile	20	63,5 (2,5")	23.37	1/2-13"	27.94	3.05	B
P2754.25A35NI	Nitrile	35	63,5 (2,5")	23.37	1/2-13"	27.94	3.05	B
P2754.25A60NI	Nitrile	60	63,5 (2,5")	23.37	1/2-13"	27.94	3.05	B
P2754.25A80NI	Nitrile	80	63,5 (2,5")	23.37	1/2-13"	27.94	3.05	B
P2754.25B20NI	Nitrile	20	63,5 (2,5")	49.28	1/2-13"	35.81	6.35	C
P2754.25B35NI	Nitrile	35	63,5 (2,5")	49.28	1/2-13"	35.81	6.35	C
P2754.25B60NI	Nitrile	60	63,5 (2,5")	49.28	1/2-13"	35.81	6.35	C
P2754.25B80NI	Nitrile	80	63,5 (2,5")	49.28	1/2-13"	35.81	6.35	C
P2754.40A20NP	Nitrile	20	101,6 (4,0")	23.37	1/2-13"	27.94	3.05	B
P2754.40A35NP	Nitrile	35	101,6 (4,0")	23.37	1/2-13"	27.94	3.05	B
P2754.40A60NI	Nitrile	60	101,6 (4,0")	23.37	1/2-13"	27.94	3.05	B
P2754.40A80NI	Nitrile	80	101,6 (4,0")	23.37	1/2-13"	27.94	3.05	B
P2754.40B20NP	Nitrile	20	101,6 (4,0")	49.28	1/2-13"	35.56	6.35	C
P2754.40B60NI	Nitrile	60	101,6 (4,0")	49.28	1/2-13"	35.56	6.35	C
P2754.40B80NI	Nitrile	60	101,6 (4,0")	49.28	1/2-13"	35.56	6.35	C
P2754.15A80UR	Urethane	80	38,1 (1,5")	31.80	5/16-18"	16.00	3.05	A
P2754.20A35UR	Urethane	35	50,8 (2,0")	23.37	1/2-13"	27.94	3.05	B
P2754.20A60UR	Urethane	60	50,8 (2,0")	23.37	1/2-13"	27.94	3.05	B
P2754.20A80UR	Urethane	80	50,8 (2,0")	23.37	1/2-13"	27.94	3.05	B
P2754.20B35UR	Urethane	35	50,8 (2,0")	49.28	1/2-13"	35.81	6.35	C
P2754.20B60UR	Urethane	60	50,8 (2,0")	49.28	1/2-13"	35.81	6.35	C
P2754.20B80UR	Urethane	80	50,8 (2,0")	49.28	1/2-13"	35.81	6.35	C
P2754.25A35UR	Urethane	35	63,5 (2,5")	23.37	1/2-13"	27.94	3.05	B
P2754.25A60UR	Urethane	60	63,5 (2,5")	23.37	1/2-13"	27.94	3.05	B
P2754.25A80UR	Urethane	80	63,5 (2,5")	23.37	1/2-13"	27.94	3.05	B
P2754.25B35UR	Urethane	35	63,5 (2,5")	49.28	1/2-13"	35.81	6.35	C



Order No.	Material	Durometer	d ₁	l ₁	d ₂	l ₂	l ₃	Bearing type
P2754.25B60UR	Urethane	60	63,5 (2,5")	49.28	1/2-13"	35.81	6.35	C
P2754.25B80UR	Urethane	80	63,5 (2,5")	49.28	1/2-13"	35.81	6.35	C
P2754.40A35UR	Urethane	35	101,6 (4,0")	23.37	1/2-13"	27.94	3.05	B
P2754.40A60UR	Urethane	60	101,6 (4,0")	23.37	1/2-13"	27.94	3.05	B
P2754.40A80UR	Urethane	80	101,6 (4,0")	23.37	1/2-13"	27.94	3.05	B
P2754.40B35UR	Urethane	35	101,6 (4,0")	49.28	1/2-13"	35.56	6.35	C
P2754.40B60UR	Urethane	60	101,6 (4,0")	49.28	1/2-13"	35.56	6.35	C
P2754.40B80UR	Urethane	60	101,6 (4,0")	49.28	1/2-13"	35.56	6.35	C
P2754.50A35UR	Urethane	35	127,0 (5,0")	49.28	1/2-13"	35.56	6.35	C
P2754.50A60UR	Urethane	60	127,0 (5,0")	49.28	1/2-13"	35.56	6.35	C
P2754.50A80UR	Urethane	80	127,0 (5,0")	49.28	1/2-13"	35.56	6.35	C
P2754.60A35UR	Urethane	35	152,4 (6,0")	49.28	1/2-13"	35.56	6.35	C
P2754.60A60UR	Urethane	60	152,4 (6,0")	49.28	1/2-13"	35.56	6.35	C
P2754.60A80UR	Urethane	80	152,4 (6,0")	49.28	1/2-13"	35.56	6.35	C
P2754.20A20NP	Neoprene	20	50,8 (2,0")	23.37	1/2-13"	27.94	3.05	B
P2754.20A35NP	Neoprene	35	50,8 (2,0")	23.37	1/2-13"	27.94	3.05	B
P2754.20B20NP	Neoprene	20	50,8 (2,0")	49.28	1/2-13"	35.81	6.35	C
P2754.20B35NP	Neoprene	35	50,8 (2,0")	49.28	1/2-13"	35.81	6.35	C
P2754.20B60NP	Neoprene	60	50,8 (2,0")	49.28	1/2-13"	35.81	6.35	C
P2754.20B80NP	Neoprene	80	50,8 (2,0")	49.28	1/2-13"	35.81	6.35	C
P2754.25A20NP	Neoprene	20	63,5 (2,5")	23.37	1/2-13"	27.94	3.05	B
P2754.25A35NP	Neoprene	35	63,5 (2,5")	23.37	1/2-13"	27.94	3.05	B
P2754.25A60NP	Neoprene	60	63,5 (2,5")	23.37	1/2-13"	27.94	3.05	B
P2754.25A80NP	Neoprene	80	63,5 (2,5")	23.37	1/2-13"	27.94	3.05	B
P2754.25B20NP	Neoprene	20	63,5 (2,5")	49.28	1/2-13"	35.81	6.35	C
P2754.25B35NP	Neoprene	35	63,5 (2,5")	49.28	1/2-13"	35.81	6.35	C
P2754.25B60NP	Neoprene	60	63,5 (2,5")	49.28	1/2-13"	35.81	6.35	C
P2754.25B80NP	Neoprene	80	63,5 (2,5")	49.28	1/2-13"	35.81	6.35	C
P2754.40A20NI	Neoprene	20	101,6 (4,0")	23.37	1/2-13"	27.94	3.05	B
P2754.40A35NI	Neoprene	35	101,6 (4,0")	23.37	1/2-13"	27.94	3.05	B
P2754.40A60NP	Neoprene	60	101,6 (4,0")	23.37	1/2-13"	27.94	3.05	B
P2754.40A80NP	Neoprene	80	101,6 (4,0")	23.37	1/2-13"	27.94	3.05	B
P2754.40B20NI	Neoprene	20	101,6 (4,0")	49.28	1/2-13"	35.56	6.35	C
P2754.40B35NI	Neoprene	35	101,6 (4,0")	49.28	1/2-13"	35.56	6.35	C
P2754.40B60NP	Neoprene	60	101,6 (4,0")	49.28	1/2-13"	35.56	6.35	C
P2754.40B80NP	Neoprene	60	101,6 (4,0")	49.28	1/2-13"	35.56	6.35	C



Solid Roller shaft drive



P2756

MATERIAL HANDLING

Material

Nitrile, urethane or neoprene bonded to a steel insert.

Hardness from 20-80 durometer (Shore A).

Technical Notes

Designed to be mounted onto a shaft. A

hub extends past the roller and is supplied with two set screws at 90°.

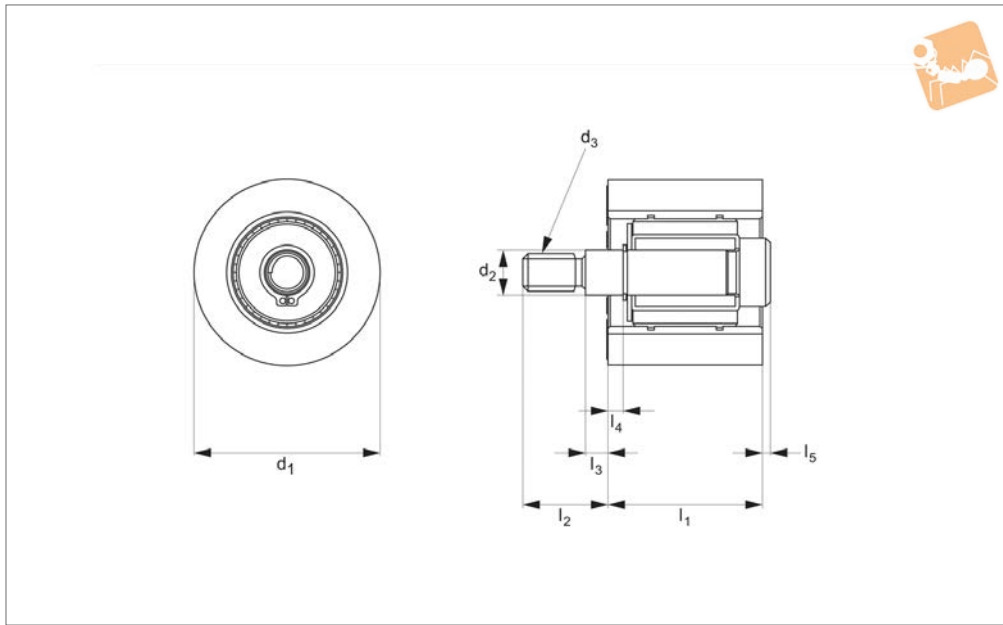
Order No.	Material	Durometer	d ₁	l ₁	d ₂	d ₃	l ₂
P2756.20A60NI	Nitrile	60	50,80 (2,0")	31,75	23,37	12,72/12,83	12,70
P2756.20C20NI	Nitrile	20	50,80 (2,0")	31,75	49,28	12,73/12,83	12,70
P2756.20C60NI	Nitrile	60	50,80 (2,0")	31,75	49,28	12,73/12,83	12,70
P2756.20D20NI	Nitrile	20	50,80 (2,0")	31,75	49,28	19,08/19,20	12,70
P2756.20D60NI	Nitrile	60	50,80 (2,0")	31,75	49,28	19,08/19,20	12,70
P2756.25A20NI	Nitrile	20	63,50 (2,5")	31,75	23,37	12,73/12,83	12,70
P2756.25A60NI	Nitrile	60	63,50 (2,5")	31,75	23,37	12,73/12,83	12,70
P2756.25B20NI	Nitrile	20	63,50 (2,5")	34,79	23,37	19,08/19,20	12,70
P2756.25B60NI	Nitrile	60	63,50 (2,5")	34,79	23,37	19,08/19,20	12,70
P2756.25C20NI	Nitrile	20	63,50 (2,5")	31,75	49,28	12,73/12,83	12,70
P2756.25C60NI	Nitrile	60	63,50 (2,5")	31,75	49,28	12,73/12,83	12,70
P2756.25D20NI	Nitrile	20	63,50 (2,5")	31,75	49,28	19,08/19,20	12,70
P2756.25D60NI	Nitrile	60	63,50 (2,5")	31,75	49,28	19,08/19,20	12,70
P2756.40A20NI	Nitrile	20	101,6 (4,0")	31,75	23,37	12,73/12,83	12,70
P2756.40A60NI	Nitrile	60	101,6 (4,0")	31,75	23,37	12,73/12,83	12,70
P2756.40B20NI	Nitrile	20	101,6 (4,0")	31,75	23,37	19,08/19,20	12,70
P2756.40B60NI	Nitrile	60	101,6 (4,0")	31,75	23,37	19,08/19,20	12,70
P2756.40C20NI	Nitrile	20	101,6 (4,0")	31,75	49,28	12,73/12,83	12,70
P2756.40C60NI	Nitrile	60	101,6 (4,0")	31,75	49,28	12,73/12,83	12,70
P2756.40D20NI	Nitrile	20	101,6 (4,0")	31,75	49,28	19,08/19,20	12,70
P2756.40D60NI	Nitrile	60	101,6 (4,0")	31,75	49,28	19,08/19,20	12,70
P2756.40E60NI	Nitrile	60	101,6 (4,0")	34,80	49,28	31,78/31,90	12,70
P2756.15A35UR	Urethane	35	38,10 (1,5")	22,36	31,75	12,72/12,83	9,65
P2756.15A60UR	Urethane	60	38,10 (1,5")	22,36	31,75	12,72/12,83	9,65
P2756.15A80UR	Urethane	80	38,10 (1,5")	22,36	31,75	12,72/12,83	9,65
P2756.20A60UR	Urethane	60	50,80 (2,0")	31,75	23,37	12,72/12,83	12,70
P2756.20A80UR	Urethane	80	50,80 (2,0")	31,75	23,37	12,72/12,83	12,70
P2756.20C60UR	Urethane	60	50,80 (2,0")	31,75	49,28	12,73/12,83	12,70
P2756.20D35UR	Urethane	35	50,80 (2,0")	31,75	49,28	19,08/19,20	12,70
P2756.20D80UR	Urethane	80	50,80 (2,0")	31,75	49,28	19,08/19,20	12,70
P2756.25B35UR	Urethane	35	63,50 (2,5")	34,79	23,37	19,08/19,20	12,70
P2756.25B80UR	Urethane	80	63,50 (2,5")	34,79	23,37	19,08/19,20	12,70
P2756.25C60UR	Urethane	60	63,50 (2,5")	31,75	49,28	12,73/12,83	12,70
P2756.25D35UR	Urethane	35	63,50 (2,5")	31,75	49,28	19,08/19,20	12,70
P2756.25D80UR	Urethane	80	63,50 (2,5")	31,75	49,28	19,08/19,20	12,70



Order No.	Material	Durometer	d ₁	l ₁	d ₂	d ₃	l ₂
P2756.40A35UR	Urethane	35	101,6 (4,0")	31.75	23.37	12,73/12,83	12.70
P2756.40A80UR	Urethane	80	101,6 (4,0")	31.75	23.37	12,73/12,83	12.70
P2756.40B60UR	Urethane	60	101,6 (4,0")	31.75	23.37	19,08/19,20	12.70
P2756.40C35UR	Urethane	35	101,6 (4,0")	31.75	49.28	12,73/12,83	12.70
P2756.40C80UR	Urethane	80	101,6 (4,0")	31.75	49.28	12,73/12,83	12.70
P2756.40E80UR	Urethane	80	101,6 (4,0")	34.80	49.28	31,78/31,90	12.70
P2756.50A35UR	Urethane	35	127,0 (5,0")	31.75	49.28	12,72/12,83	12.70
P2756.50A60UR	Urethane	60	127,0 (5,0")	31.75	49.28	12,72/12,83	12.70
P2756.50B35UR	Urethane	35	127,0 (5,0")	31.75	49.28	19,07/19,20	12.70
P2756.50B80UR	Urethane	80	127,0 (5,0")	31.75	49.28	19,07/19,20	12.70
P2756.60B35UR	Urethane	35	152,4 (6,0")	31.75	49.28	19,08/19,20	12.70
P2756.20A20NP	Neoprene	20	50,80 (2,0")	31.75	23.37	12,72/12,83	12.70
P2756.20A60NP	Neoprene	60	50,80 (2,0")	31.75	23.37	12,72/12,83	12.70
P2756.20C20NP	Neoprene	20	50,80 (2,0")	31.75	49.28	12,73/12,83	12.70
P2756.20C60NP	Neoprene	60	50,80 (2,0")	31.75	49.28	12,73/12,83	12.70
P2756.20D20NP	Neoprene	20	50,80 (2,0")	31.75	49.28	19,08/19,20	12.70
P2756.20D60NP	Neoprene	60	50,80 (2,0")	31.75	49.28	19,08/19,20	12.70
P2756.25A20NP	Neoprene	20	63,50 (2,5")	31.75	23.37	12,73/12,83	12.70
P2756.25A60NP	Neoprene	60	63,50 (2,5")	31.75	23.37	12,73/12,83	12.70
P2756.25B20NP	Neoprene	20	63,50 (2,5")	34.79	23.37	19,08/19,20	12.70
P2756.25B60NP	Neoprene	60	63,50 (2,5")	34.79	23.37	19,08/19,20	12.70
P2756.25C20NP	Neoprene	20	63,50 (2,5")	31.75	49.28	12,73/12,83	12.70
P2756.25C60NP	Neoprene	60	63,50 (2,5")	31.75	49.28	12,73/12,83	12.70
P2756.25D20NP	Neoprene	20	63,50 (2,5")	31.75	49.28	19,08/19,20	12.70
P2756.25D60NP	Neoprene	60	63,50 (2,5")	31.75	49.28	19,08/19,20	12.70
P2756.40A20NP	Neoprene	20	101,6 (4,0")	31.75	23.37	12,73/12,83	12.70
P2756.40A60NP	Neoprene	60	101,6 (4,0")	31.75	23.37	12,73/12,83	12.70
P2756.40B20NP	Neoprene	20	101,6 (4,0")	31.75	23.37	19,08/19,20	12.70
P2756.40B60NP	Neoprene	60	101,6 (4,0")	31.75	23.37	19,08/19,20	12.70
P2756.40C20NP	Neoprene	20	101,6 (4,0")	31.75	49.28	12,73/12,83	12.70
P2756.40C60NP	Neoprene	60	101,6 (4,0")	31.75	49.28	12,73/12,83	12.70
P2756.40D20NP	Neoprene	20	101,6 (4,0")	31.75	49.28	19,08/19,20	12.70
P2756.40D60NP	Neoprene	60	101,6 (4,0")	31.75	49.28	19,08/19,20	12.70
P2756.40E35UR	Neoprene	60	101,6 (4,0")	34.80	49.28	31,78/31,90	12.70
P2756.40E60NP	Neoprene	60	101,6 (4,0")	34.80	49.28	31,78/31,90	12.70



Solid Roller clutch bearing



P2758

MATERIAL HANDLING

Material

Nitrile, urethane or neoprene bonded to a steel insert.
Hardness from 20-80 durometer (Shore A).

Technical Notes

A clutch bearing allows the roller to turn in

only one direction. Available in left or right hand rotation (with the stud pointed upwards, a right hand rotation turns clockwise.)

Supplied with type I bearing, other $d_1=38,1$ roller which is supplied with type h

bearing.

Tips

Type R = Right handed clutch bearing.
Type L = Left handed clutch bearing.
See technical introduction pages for further information.

Order No.	Type	Material	Durometer	d_1	l_1	d_2 -0 +0.05	d_3	l_2	l_3	l_4	l_5
P2758.15A20NI-R	Right	Nitrile	20	38.10	31.75	9.42	5/16-18"	17.53	4.83	3.05	1.52
P2758.15A35NI-R	Right	Nitrile	35	38.10	31.75	9.42	5/16-18"	17.53	4.83	3.05	1.52
P2758.15A60NI-R	Right	Nitrile	60	38.10	31.75	9.42	5/16-18"	17.53	4.83	3.05	1.52
P2758.15A80NI-R	Right	Nitrile	80	38.10	31.75	9.42	5/16-18"	17.53	4.83	3.05	1.52
P2758.15A20NI-L	Left	Nitrile	20	38.10	31.75	9.42	5/16-18"	17.53	4.83	3.05	1.52
P2758.15A35NI-L	Left	Nitrile	35	38.10	31.75	9.42	5/16-18"	17.53	4.83	3.05	1.52
P2758.15A60NI-L	Left	Nitrile	60	38.10	31.75	9.42	5/16-18"	17.53	4.83	3.05	1.52
P2758.15A80NI-L	Left	Nitrile	80	38.10	31.75	9.42	5/16-18"	17.53	4.83	3.05	1.52
P2758.20A20NI-R	Right	Nitrile	20	50.80	23.37	15.77	1/2-13"	45.47	26.42	3.05	10.41
P2758.20A35NI-R	Right	Nitrile	35	50.80	23.37	15.77	1/2-13"	45.47	26.42	3.05	10.41
P2758.20A60NI-R	Right	Nitrile	60	50.80	23.37	15.77	1/2-13"	45.47	26.42	3.05	10.41
P2758.20A80NI-R	Right	Nitrile	80	50.80	23.37	15.77	1/2-13"	45.47	26.42	3.05	10.41
P2758.20A20NI-L	Left	Nitrile	20	50.80	23.37	15.77	1/2-13"	45.47	26.42	3.05	10.41
P2758.20A35NI-L	Left	Nitrile	35	50.80	23.37	15.77	1/2-13"	45.47	26.42	3.05	10.41
P2758.20A60NI-L	Left	Nitrile	60	50.80	23.37	15.77	1/2-13"	45.47	26.42	3.05	10.41
P2758.20A80NI-L	Left	Nitrile	80	50.80	23.37	15.77	1/2-13"	45.47	26.42	3.05	10.41
P2758.20B20NI-R	Right	Nitrile	20	50.80	49.28	15.77	1/2-13"	31.75	12.70	3.05	-
P2758.20B35NI-R	Right	Nitrile	35	50.80	49.28	15.77	1/2-13"	31.75	12.70	3.05	-
P2758.20B60NI-R	Right	Nitrile	60	50.80	49.28	15.77	1/2-13"	31.75	12.70	3.05	-
P2758.20B80NI-R	Right	Nitrile	80	50.80	49.28	15.77	1/2-13"	31.75	12.70	3.05	-
P2758.20B20NI-L	Left	Nitrile	20	50.80	49.28	15.77	1/2-13"	31.75	12.70	3.05	-
P2758.20B35NI-L	Left	Nitrile	35	50.80	49.28	15.77	1/2-13"	31.75	12.70	3.05	-
P2758.20B60NI-L	Left	Nitrile	60	50.80	49.28	15.77	1/2-13"	31.75	12.70	3.05	-
P2758.20B80NI-L	Left	Nitrile	80	50.80	49.28	15.77	1/2-13"	31.75	12.70	3.05	-
P2758.25A20NI-R	Right	Nitrile	20	63.50	23.27	15.77	1/2-13"	31.75	26.42	3.05	10.41
P2758.25A35NI-R	Right	Nitrile	35	63.50	23.27	15.77	1/2-13"	31.75	26.42	3.05	10.41
P2758.25A60NI-R	Right	Nitrile	60	63.50	23.27	15.77	1/2-13"	31.75	26.42	3.05	10.41
P2758.25A80NI-R	Right	Nitrile	80	63.50	23.27	15.77	1/2-13"	31.75	26.42	3.05	10.41
P2758.25A20NI-L	Left	Nitrile	20	63.50	23.27	15.77	1/2-13"	31.75	26.42	3.05	10.41
P2758.25A35NI-L	Left	Nitrile	35	63.50	23.27	15.77	1/2-13"	31.75	26.42	3.05	10.41
P2758.25A60NI-L	Left	Nitrile	60	63.50	23.27	15.77	1/2-13"	31.75	26.42	3.05	10.41



Order No.	Type	Material	Durometer	d ₁	l ₁	d ₂ -0 +0.05	d ₃	l ₂	l ₃	l ₄	l ₅
P2758.25A80NI-L	Left	Nitrile	80	63.50	23.27	15.77	1/2-13"	31.75	26.42	3.05	10.41
P2758.25B20NI-R	Right	Nitrile	20	63.50	49.28	15.77	1/2-13"	31.75	12.70	3.05	-
P2758.25B35NI-R	Right	Nitrile	35	63.50	49.28	15.77	1/2-13"	31.75	12.70	3.05	-
P2758.25B60NI-R	Right	Nitrile	60	63.50	49.28	15.77	1/2-13"	31.75	12.70	3.05	-
P2758.25B80NI-R	Right	Nitrile	80	63.50	49.28	15.77	1/2-13"	31.75	12.70	3.05	-
P2758.25B20NI-L	Left	Nitrile	20	63.50	49.28	15.77	1/2-13"	31.75	12.70	3.05	-
P2758.25B35NI-L	Left	Nitrile	35	63.50	49.28	15.77	1/2-13"	31.75	12.70	3.05	-
P2758.25B60NI-L	Left	Nitrile	60	63.50	49.28	15.77	1/2-13"	31.75	12.70	3.05	-
P2758.25B80NI-L	Left	Nitrile	80	63.50	49.28	15.77	1/2-13"	31.75	12.70	3.05	-
P2758.40A20NI-R	Right	Nitrile	20	101.6	23.27	15.77	1/2-13"	31.75	26.42	3.05	10.41
P2758.40A35NI-R	Right	Nitrile	35	101.6	23.27	15.77	1/2-13"	31.75	26.42	3.05	10.41
P2758.40A60NI-R	Right	Nitrile	60	101.6	23.27	15.77	1/2-13"	31.75	26.42	3.05	10.41
P2758.40A80NI-R	Right	Nitrile	80	101.6	23.27	15.77	1/2-13"	31.75	26.42	3.05	10.41
P2758.40A20NI-L	Left	Nitrile	20	101.6	23.27	15.77	1/2-13"	31.75	26.42	3.05	10.41
P2758.40A35NI-L	Left	Nitrile	35	101.6	23.27	15.77	1/2-13"	31.75	26.42	3.05	10.41
P2758.40A60NI-L	Left	Nitrile	60	101.6	23.27	15.77	1/2-13"	31.75	26.42	3.05	10.41
P2758.40A80NI-L	Left	Nitrile	80	101.6	23.27	15.77	1/2-13"	31.75	26.42	3.05	10.41
P2758.40B20NI-R	Right	Nitrile	20	101.6	49.28	15.77	1/2-13"	31.75	12.70	3.05	-
P2758.40B35NI-R	Right	Nitrile	35	101.6	49.28	15.77	1/2-13"	31.75	12.70	3.05	-
P2758.40B60NI-R	Right	Nitrile	60	101.6	49.28	15.77	1/2-13"	31.75	12.70	3.05	-
P2758.40B80NI-R	Right	Nitrile	80	101.6	49.28	15.77	1/2-13"	31.75	12.70	3.05	-
P2758.40B20NI-L	Left	Nitrile	20	101.6	49.28	15.77	1/2-13"	31.75	12.70	3.05	-
P2758.40B35NI-L	Left	Nitrile	35	101.6	49.28	15.77	1/2-13"	31.75	12.70	3.05	-
P2758.40B60NI-L	Left	Nitrile	60	101.6	49.28	15.77	1/2-13"	31.75	12.70	3.05	-
P2758.40B80NI-L	Left	Nitrile	80	101.6	49.28	15.77	1/2-13"	31.75	12.70	3.05	-
P2758.15A35UR-R	Right	Urethane	35	38.10	31.75	9.42	5/16-18"	17.53	4.83	3.05	1.52
P2758.15A60UR-R	Right	Urethane	60	38.10	31.75	9.42	5/16-18"	17.53	4.83	3.05	1.52
P2758.15A80UR-R	Right	Urethane	80	38.10	31.75	9.42	5/16-18"	17.53	4.83	3.05	1.52
P2758.15A35UR-L	Left	Urethane	35	38.10	31.75	9.42	5/16-18"	17.53	4.83	3.05	1.52
P2758.15A60UR-L	Left	Urethane	60	38.10	31.75	9.42	5/16-18"	17.53	4.83	3.05	1.52
P2758.15A80UR-L	Left	Urethane	80	38.10	31.75	9.42	5/16-18"	17.53	4.83	3.05	1.52
P2758.20A35UR-R	Right	Urethane	35	50.80	23.37	15.77	1/2-13"	45.47	26.42	3.05	10.41
P2758.20A60UR-R	Right	Urethane	60	50.80	23.37	15.77	1/2-13"	45.47	26.42	3.05	10.41
P2758.20A80UR-R	Right	Urethane	80	50.80	23.37	15.77	1/2-13"	45.47	26.42	3.05	10.41
P2758.20A35UR-L	Left	Urethane	35	50.80	23.37	15.77	1/2-13"	45.47	26.42	3.05	10.41
P2758.20A60UR-L	Left	Urethane	60	50.80	23.37	15.77	1/2-13"	45.47	26.42	3.05	10.41
P2758.20A80UR-L	Left	Urethane	80	50.80	23.37	15.77	1/2-13"	45.47	26.42	3.05	10.41
P2758.20B35UR-R	Right	Urethane	35	50.80	49.28	15.77	1/2-13"	31.75	12.70	3.05	-
P2758.20B60UR-R	Right	Urethane	60	50.80	49.28	15.77	1/2-13"	31.75	12.70	3.05	-
P2758.20B80UR-R	Right	Urethane	80	50.80	49.28	15.77	1/2-13"	31.75	12.70	3.05	-
P2758.20B35UR-L	Left	Urethane	35	50.80	49.28	15.77	1/2-13"	31.75	12.70	3.05	-
P2758.20B60UR-L	Left	Urethane	60	50.80	49.28	15.77	1/2-13"	31.75	12.70	3.05	-
P2758.20B80UR-L	Left	Urethane	80	50.80	49.28	15.77	1/2-13"	31.75	12.70	3.05	-
P2758.25A35UR-R	Right	Urethane	35	63.50	23.27	15.77	1/2-13"	31.75	26.42	3.05	10.41
P2758.25A60UR-R	Right	Urethane	60	63.50	23.27	15.77	1/2-13"	31.75	26.42	3.05	10.41
P2758.25A80UR-R	Right	Urethane	80	63.50	23.27	15.77	1/2-13"	31.75	26.42	3.05	10.41
P2758.25A35UR-L	Left	Urethane	35	63.50	23.27	15.77	1/2-13"	31.75	26.42	3.05	10.41
P2758.25A60UR-L	Left	Urethane	60	63.50	23.27	15.77	1/2-13"	31.75	26.42	3.05	10.41
P2758.25A80UR-L	Left	Urethane	80	63.50	23.27	15.77	1/2-13"	31.75	26.42	3.05	10.41
P2758.25B35UR-R	Right	Urethane	35	63.50	49.28	15.77	1/2-13"	31.75	12.70	3.05	-
P2758.25B60UR-R	Right	Urethane	60	63.50	49.28	15.77	1/2-13"	31.75	12.70	3.05	-
P2758.25B80UR-R	Right	Urethane	80	63.50	49.28	15.77	1/2-13"	31.75	12.70	3.05	-
P2758.25B35UR-L	Left	Urethane	35	63.50	49.28	15.77	1/2-13"	31.75	12.70	3.05	-
P2758.25B60UR-L	Left	Urethane	60	63.50	49.28	15.77	1/2-13"	31.75	12.70	3.05	-
P2758.25B80UR-L	Left	Urethane	80	63.50	49.28	15.77	1/2-13"	31.75	12.70	3.05	-
P2758.40A35UR-R	Right	Urethane	35	101.6	23.27	15.77	1/2-13"	31.75	26.42	3.05	10.41
P2758.40A60UR-R	Right	Neoprene	60	101.6	23.27	15.77	1/2-13"	31.75	26.42	3.05	10.41
P2758.40A80UR-R	Right	Urethane	60	101.6	23.27	15.77	1/2-13"	31.75	26.42	3.05	10.41
P2758.40A35UR-L	Left	Urethane	80	101.6	23.27	15.77	1/2-13"	31.75	26.42	3.05	10.41
P2758.40A60UR-L	Left	Urethane	35	101.6	23.27	15.77	1/2-13"	31.75	26.42	3.05	10.41
P2758.40A80UR-L	Left	Urethane	60	101.6	23.27	15.77	1/2-13"	31.75	26.42	3.05	10.41
P2758.40B35UR-R	Right	Urethane	80	101.6	49.28	15.77	1/2-13"	31.75	12.70	3.05	-
P2758.40B60UR-R	Right	Urethane	35	101.6	49.28	15.77	1/2-13"	31.75	12.70	3.05	-
P2758.40B80UR-R	Right	Urethane	60	101.6	49.28	15.77	1/2-13"	31.75	12.70	3.05	-
P2758.40B35UR-L	Left	Urethane	80	101.6	49.28	15.77	1/2-13"	31.75	12.70	3.05	-
P2758.40B60UR-L	Left	Urethane	35	101.6	49.28	15.77	1/2-13"	31.75	12.70	3.05	-
P2758.40B80UR-L	Left	Urethane	80	101.6	49.28	15.77	1/2-13"	31.75	12.70	3.05	-
P2758.15A20NP-R	Right	Neoprene	20	38.10	31.75	9.42	5/16-18"	17.53	4.83	3.05	1.52



Solid Roller clutch bearing



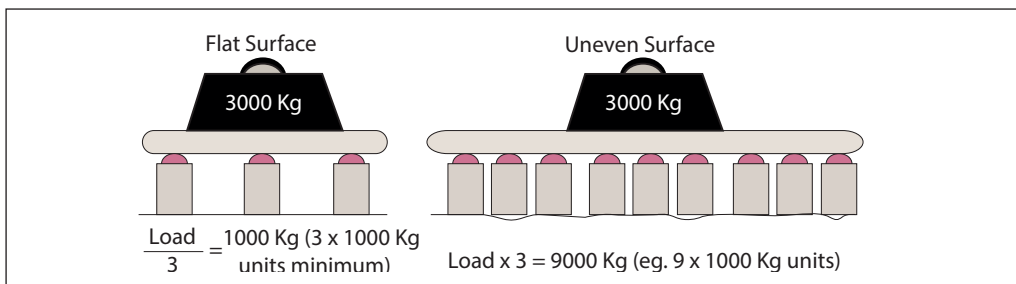
Material Hand- ling

Order No.	Type	Material	Durometer	d ₁	l ₁	d ₂ -0 +0.05	d ₃	l ₂	l ₃	l ₄	l ₅
P2758.15A35NP-R	Right	Neoprene	35	38.10	31.75	9.42	5/16-18"	17.53	4.83	3.05	1.52
P2758.15A60NP-R	Right	Neoprene	60	38.10	31.75	9.42	5/16-18"	17.53	4.83	3.05	1.52
P2758.15A80NP-R	Right	Neoprene	80	38.10	31.75	9.42	5/16-18"	17.53	4.83	3.05	1.52
P2758.15A20NP-L	Left	Neoprene	20	38.10	31.75	9.42	5/16-18"	17.53	4.83	3.05	1.52
P2758.15A35NP-L	Left	Neoprene	35	38.10	31.75	9.42	5/16-18"	17.53	4.83	3.05	1.52
P2758.15A60NP-L	Left	Neoprene	60	38.10	31.75	9.42	5/16-18"	17.53	4.83	3.05	1.52
P2758.15A80NP-L	Left	Neoprene	80	38.10	31.75	9.42	5/16-18"	17.53	4.83	3.05	1.52
P2758.20A20NP-R	Right	Neoprene	20	50.80	23.37	15.77	1/2-13"	45.47	26.42	3.05	10.41
P2758.20A35NP-R	Right	Neoprene	35	50.80	23.37	15.77	1/2-13"	45.47	26.42	3.05	10.41
P2758.20A60NP-R	Right	Neoprene	60	50.80	23.37	15.77	1/2-13"	45.47	26.42	3.05	10.41
P2758.20A80NP-R	Right	Neoprene	80	50.80	23.37	15.77	1/2-13"	45.47	26.42	3.05	10.41
P2758.20A20NP-L	Left	Neoprene	20	50.80	23.37	15.77	1/2-13"	45.47	26.42	3.05	10.41
P2758.20A35NP-L	Left	Neoprene	35	50.80	23.37	15.77	1/2-13"	45.47	26.42	3.05	10.41
P2758.20A60NP-L	Left	Neoprene	60	50.80	23.37	15.77	1/2-13"	45.47	26.42	3.05	10.41
P2758.20A80NP-L	Left	Neoprene	80	50.80	23.37	15.77	1/2-13"	45.47	26.42	3.05	10.41
P2758.20B20NP-R	Right	Neoprene	20	50.80	49.28	15.77	1/2-13"	31.75	12.70	3.05	-
P2758.20B35NP-R	Right	Neoprene	35	50.80	49.28	15.77	1/2-13"	31.75	12.70	3.05	-
P2758.20B60NP-R	Right	Neoprene	60	50.80	49.28	15.77	1/2-13"	31.75	12.70	3.05	-
P2758.20B80NP-R	Right	Neoprene	80	50.80	49.28	15.77	1/2-13"	31.75	12.70	3.05	-
P2758.20B20NP-L	Left	Neoprene	20	50.80	49.28	15.77	1/2-13"	31.75	12.70	3.05	-
P2758.20B35NP-L	Left	Neoprene	35	50.80	49.28	15.77	1/2-13"	31.75	12.70	3.05	-
P2758.20B60NP-L	Left	Neoprene	60	50.80	49.28	15.77	1/2-13"	31.75	12.70	3.05	-
P2758.20B80NP-L	Left	Neoprene	80	50.80	49.28	15.77	1/2-13"	31.75	12.70	3.05	-
P2758.25A20NP-R	Right	Neoprene	20	63.50	23.27	15.77	1/2-13"	31.75	26.42	3.05	10.41
P2758.25A35NP-R	Right	Neoprene	35	63.50	23.27	15.77	1/2-13"	31.75	26.42	3.05	10.41
P2758.25A60NP-R	Right	Neoprene	60	63.50	23.27	15.77	1/2-13"	31.75	26.42	3.05	10.41
P2758.25A80NP-R	Right	Neoprene	80	63.50	23.27	15.77	1/2-13"	31.75	26.42	3.05	10.41
P2758.25A20NP-L	Left	Neoprene	20	63.50	23.27	15.77	1/2-13"	31.75	26.42	3.05	10.41
P2758.25A35NP-L	Left	Neoprene	35	63.50	23.27	15.77	1/2-13"	31.75	26.42	3.05	10.41
P2758.25A60NP-L	Left	Neoprene	60	63.50	23.27	15.77	1/2-13"	31.75	26.42	3.05	10.41
P2758.25A80NP-L	Left	Neoprene	80	63.50	23.27	15.77	1/2-13"	31.75	26.42	3.05	10.41
P2758.25B20NP-R	Right	Neoprene	20	63.50	49.28	15.77	1/2-13"	31.75	12.70	3.05	-
P2758.25B35NP-R	Right	Neoprene	35	63.50	49.28	15.77	1/2-13"	31.75	12.70	3.05	-
P2758.25B60NP-R	Right	Neoprene	60	63.50	49.28	15.77	1/2-13"	31.75	12.70	3.05	-
P2758.25B80NP-R	Right	Neoprene	80	63.50	49.28	15.77	1/2-13"	31.75	12.70	3.05	-
P2758.25B20NP-L	Left	Neoprene	20	63.50	49.28	15.77	1/2-13"	31.75	12.70	3.05	-
P2758.25B35NP-L	Left	Neoprene	35	63.50	49.28	15.77	1/2-13"	31.75	12.70	3.05	-
P2758.25B60NP-L	Left	Neoprene	60	63.50	49.28	15.77	1/2-13"	31.75	12.70	3.05	-
P2758.25B80NP-L	Left	Neoprene	80	63.50	49.28	15.77	1/2-13"	31.75	12.70	3.05	-
P2758.40A20NP-R	Right	Neoprene	20	101.6	23.27	15.77	1/2-13"	31.75	26.42	3.05	10.41
P2758.40A35NP-R	Right	Neoprene	35	101.6	23.27	15.77	1/2-13"	31.75	26.42	3.05	10.41
P2758.40A80NP-R	Right	Neoprene	80	101.6	23.27	15.77	1/2-13"	31.75	26.42	3.05	10.41
P2758.40A20NP-L	Left	Neoprene	20	101.6	23.27	15.77	1/2-13"	31.75	26.42	3.05	10.41
P2758.40A35NP-L	Left	Neoprene	35	101.6	23.27	15.77	1/2-13"	31.75	26.42	3.05	10.41
P2758.40A60NP-L	Left	Neoprene	60	101.6	23.27	15.77	1/2-13"	31.75	26.42	3.05	10.41
P2758.40A80NP-L	Left	Neoprene	80	101.6	23.27	15.77	1/2-13"	31.75	26.42	3.05	10.41
P2758.40B20NP-R	Right	Neoprene	20	101.6	49.28	15.77	1/2-13"	31.75	12.70	3.05	-
P2758.40B35NP-R	Right	Neoprene	35	101.6	49.28	15.77	1/2-13"	31.75	12.70	3.05	-
P2758.40B60NP-R	Right	Neoprene	60	101.6	49.28	15.77	1/2-13"	31.75	12.70	3.05	-
P2758.40B80NP-R	Right	Neoprene	80	101.6	49.28	15.77	1/2-13"	31.75	12.70	3.05	-
P2758.40B20NP-L	Left	Neoprene	20	101.6	49.28	15.77	1/2-13"	31.75	12.70	3.05	-
P2758.40B35NP-L	Left	Neoprene	35	101.6	49.28	15.77	1/2-13"	31.75	12.70	3.05	-
P2758.40B60NP-L	Left	Neoprene	60	101.6	49.28	15.77	1/2-13"	31.75	12.70	3.05	-
P2758.40B80NP-L	Left	Neoprene	80	101.6	49.28	15.77	1/2-13"	31.75	12.70	3.05	-

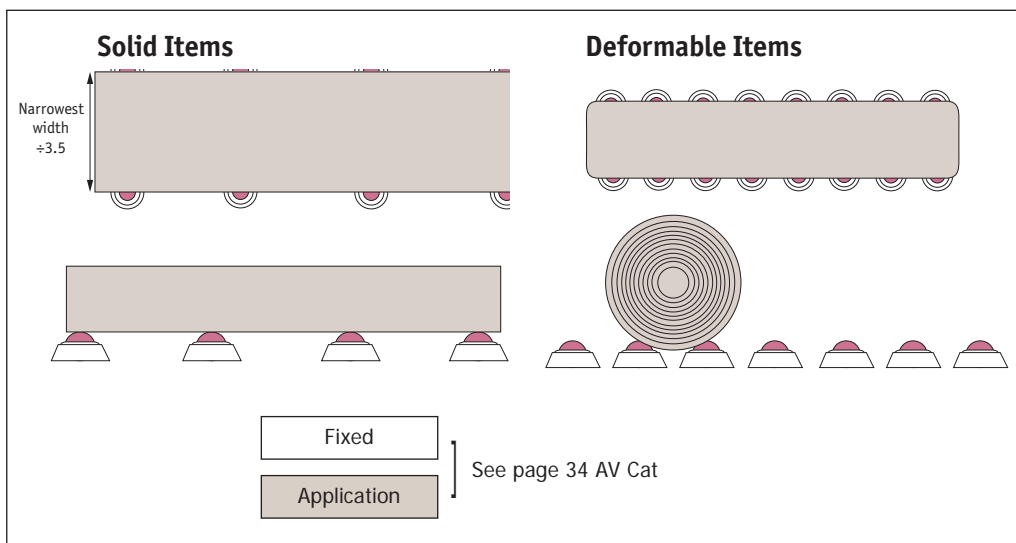
MATERIAL HANDLING



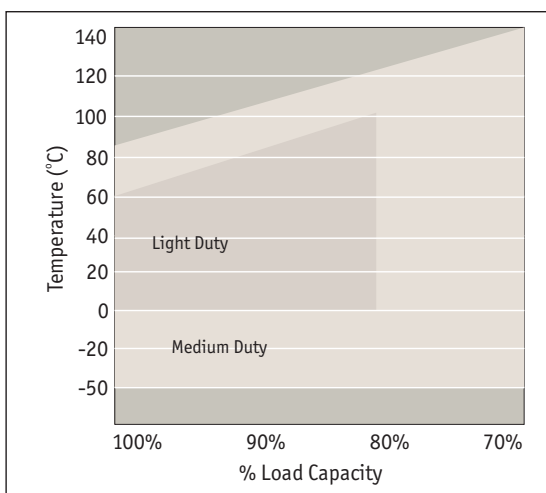
Load & Stability



Pitch & Spacing



Operating Temperature



Ball Transfer Units from Automation Components

MATERIAL HANDLING