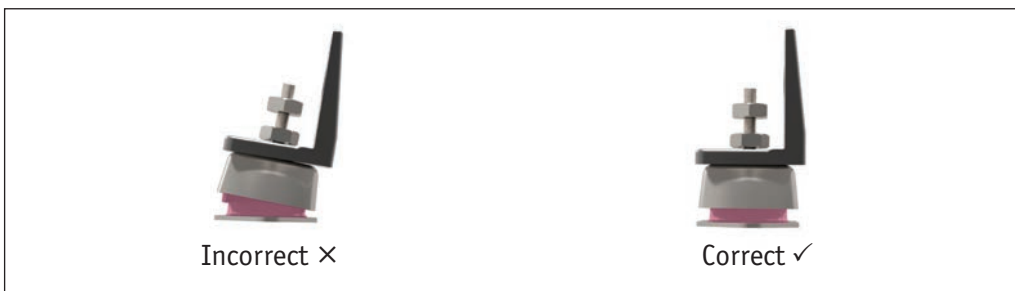
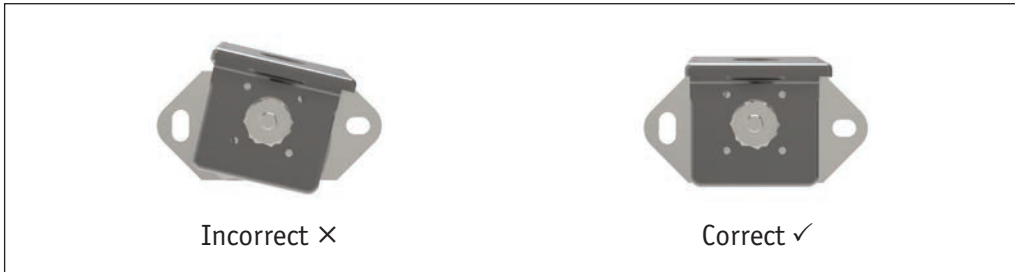




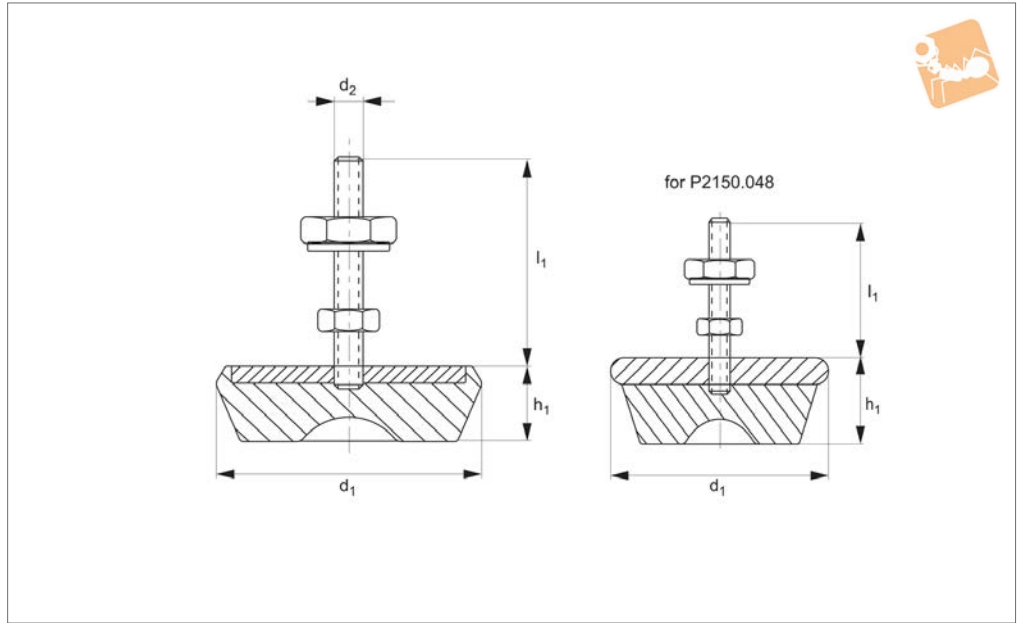
Recommendations for Machine Mounts

The machine mounts should be installed between two parallel and perfectly flat surfaces. Mounts operating tilted or twisted do not work properly. This may be due to incorrect alignment, tolerances in the building of the structure or over-tightened torque during the installation of the anti-vibration mounts.





P2150



Material

Steel body with silver zinc plated thread.
Synthetic rubber pad (65-70 Shore A) with

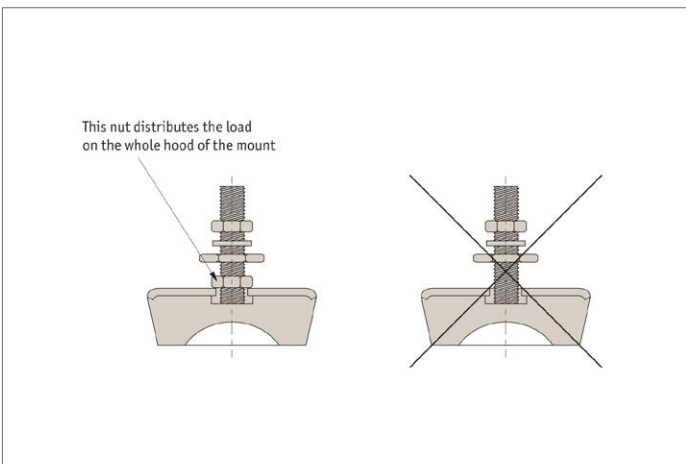
anti-slide cavity.

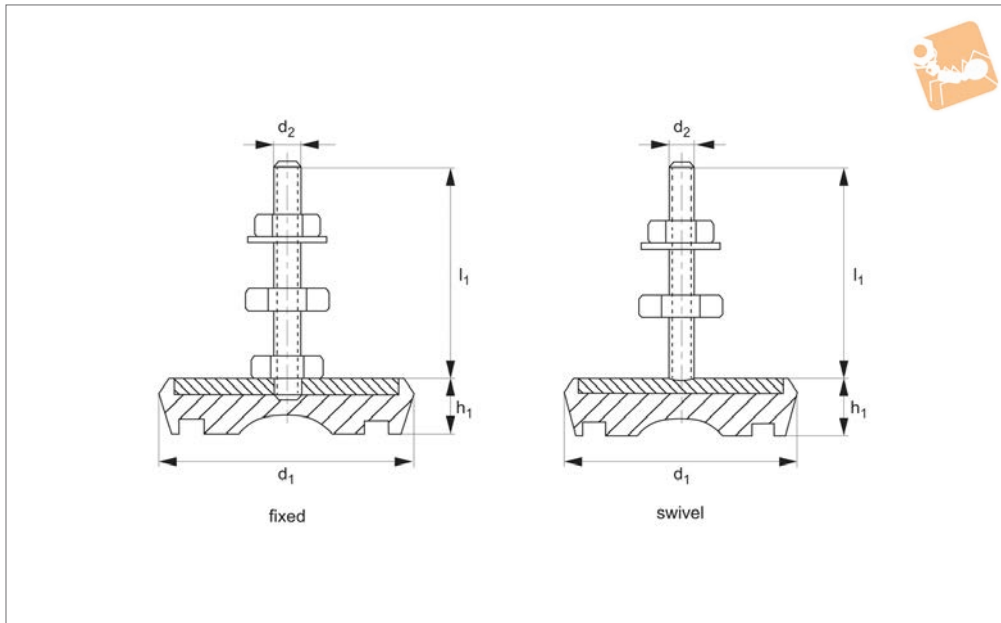
vibrations and for irregular floors.

Technical Notes

Suitable for machinery with low frequency

Order No.	d ₁	h ₁	d ₂	l ₁	Load range kgf
P2150.048	48	23	M 8	40	0-80
P2150.060	60	25	M10	83	50-120
P2150.075	75	30	M12	90	80-150
P2150.090	90	33	M12	90	120-300
P2150.105	105	38	M16	110	250-500
P2150.125	125	45	M16	110	400-800
P2150.150	150	55	M16	110	600-1000
P2150.170	170	57	M16	110	1000-1600
P2150.187	187	70	M20	115	1400-2400
P2150.210	210	75	M20	115	2000-3500





P2151

LEVELLING FEET

Material

Steel body with zinc plated thread.
Synthetic rubber base (65 Shore A), with anti-slide cavity.

Technical Notes

Suitable for medium and high frequency

vibrations and with smooth floors.

Tips

For inclined floors use the swivel base versions (M12 and M16).

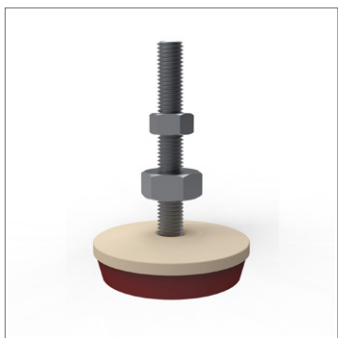
The swivel base versions have a separate screw which rests in the concave cup on the

top portion of the foot body.

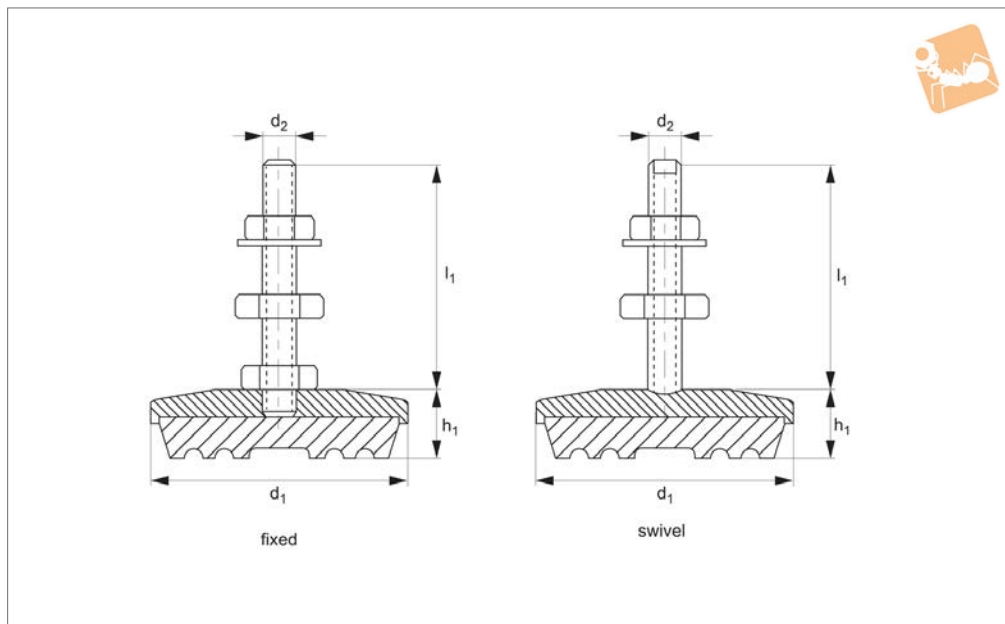
Order No.	Style	d ₁	h ₁	d ₂	l ₁	Load range kgf
P2151.040-F	Fixed	40	15	M 8	40	0-60
P2151.063-F	Fixed	63	18	M10	83	30-100
P2151.070-F	Fixed	70	22	M12	90	80-150
P2151.090-F	Fixed	90	25	M12	90	100-350
P2151.106-F	Fixed	106	29	M16	110	300-600
P2151.127-F	Fixed	127	33	M16	110	500-900
P2151.150-F	Fixed	150	39	M16	110	800-1500
P2151.170-F	Fixed	170	42	M16	110	1300-2000
P2151.070-S	Swivel	70	22	M12	90	80-150
P2151.090-S	Swivel	90	26	M12	90	100-350
P2151.106-S	Swivel	106	32	M16	110	300-600
P2151.127-S	Swivel	127	33	M16	110	500-900
P2151.150-S	Swivel	150	39	M16	110	800-1500
P2151.170-S	Swivel	170	42	M16	110	1300-2000



LEVELLING FEET



P2152



Material

Steel (GGG-40) coated body with zinc plated thread. Polyurethane base (65-90 Shore A).

deflection and maximum adherence due to shape of base.

Resistant to water, oil, high and low temperatures, abrasions and shocks.

tions where there is high risk of deterioration due to oil and other substances.

Also available in stainless steel - see product number P2161.

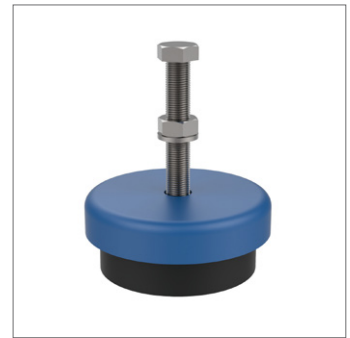
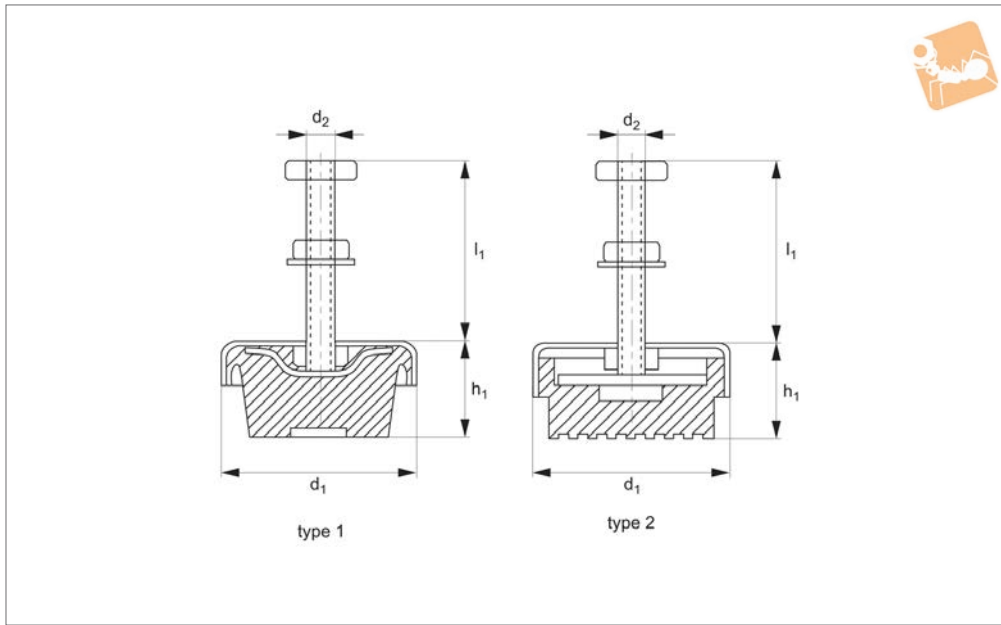
Technical Notes

High resistance machine mounts, little

Tips

Suitable for heavy machining and condi-

Order No.	Style	d_1	h_1	d_2	l_1	Load range kgf
P2152.065-F	Fixed	65	22	M12	90	200-800
P2152.100-F	Fixed	100	30	M16	110	800-2000
P2152.120-F	Fixed	120	33	M20	120	2000-4000
P2152.180-F	Fixed	180	40	M20	115	4000-6000
P2152.217-F	Fixed	217	52	M24	145	5000-10000
P2152.100-S	Swivel	100	30	M16	95	500-2000
P2152.120-S	Swivel	120	33	M20	120	2000-4000
P2152.180-S	Swivel	180	40	M20	130	4000-6000
P2152.217-S	Swivel	217	52	M24	150	5000-10000



P2153

LEVELLING FEET

Material

Coated steel body with special bowl shape to protect against corrosion. Synthetic rubber base (75 Shore A).

Technical Notes

Provides long life and outstanding stability.

Great adherence to the floor, due to excellent grip property. Quick and easy to install - for machine levelling.

Tips

Suitable for heavy machinery with strong vibration/impact such as plastic injection

moulding machines, presses, guillotines etc.

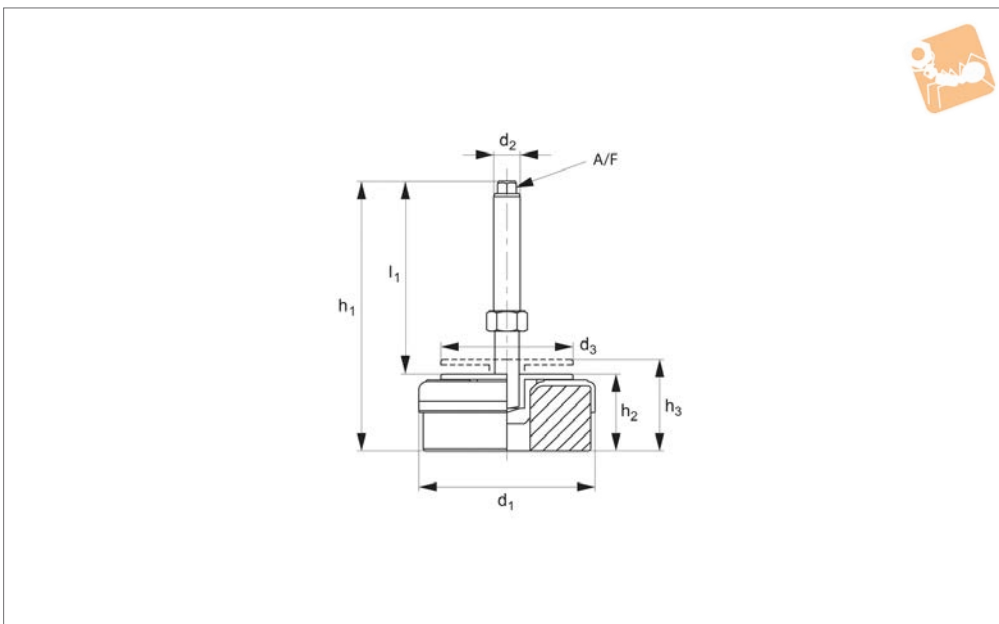
Order No.	Type	d ₁	h ₁	d ₂	l ₁	Load range kgf
P2153.050	Type 1	50	24	M 8	40	0-100
P2153.075	Type 1	75	35	M10	65	100-350
P2153.085	Type 2	85	40	M12	80	350-600
P2153.090	Type 2	90	49	M16	100	600-900
P2153.125	Type 2	125	52	M16	115	1000-2500
P2153.170	Type 2	170	57	M20	110	2500-4000



LEVELLING FEET



P2154



Material

Galvanized steel, with rubber pad (90 Shore A).

Technical Notes

Provides great levelling accuracy, with its

fine pitch thread. Can take very high horizontal loads.

Tips

Suitable for heavy machinery with strong vibration/impacts, such as plastic injection

moulding machines, presses, guillotines etc. Do not raise higher than the max height (h_3).

Order No.	d_1	h_1	d_2	d_3	l_1	h_2	h_3	A/F	Dynamic load kgf	Static load kgf
P2154.080-012	80	130	M12x1,25	54	90	40	50	8	250	500
P2154.120-016	120	130	M16x1,5	80	85	45	58	12	400	1000
P2154.160-020	160	190	M20x1,5	102	136	54	68	15	900	2000
P2154.200-020	200	195	M20x1,5	102	136	60	75	15	1500	3500



Technical Information

Frequency and Deflection Graph



Mounts

Description

Automotion anti-vibration mounts work the rubber in shear and compression. Their tall height section produce large deflections, low natural frequencies, and excellent vibration isolation results. This range of mounts is suitable for applications where high vibration isolation in the 85-95% range is a priority.

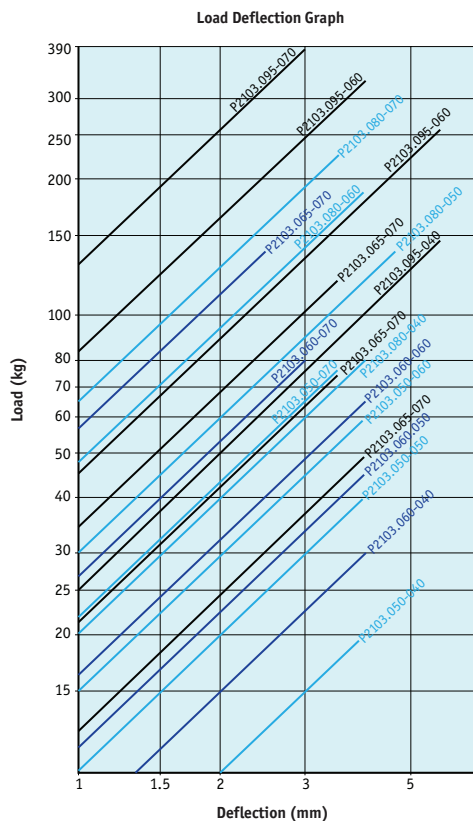
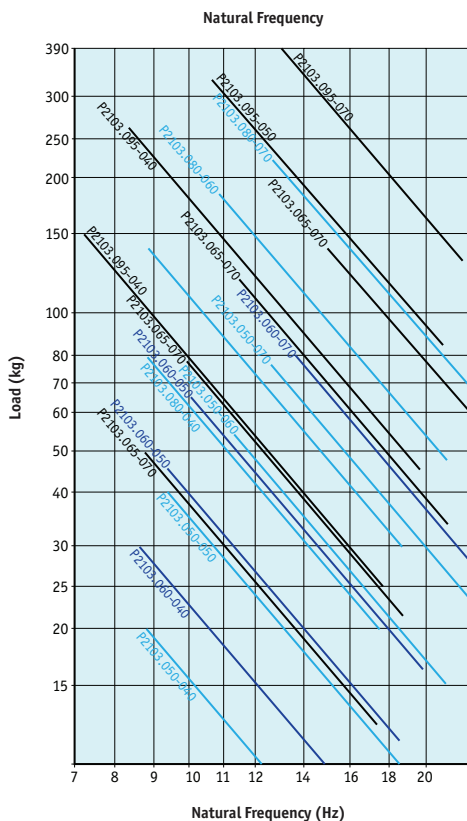
Technical characteristics

- The top metal hood protects the rubber from the Ozone, UV rays, Diesel or oils which damage the rubber.
- The metal parts have a suitable anticorrosive treatment for outdoor applications. RoHs compliant.
- They have an interlocking metal component that provides a fail-safe protection for mobile applications. This device limits the ascending vertical movement when the mounting is submitted to shocks at traction.
- The mounts are clearly identified, as the baseplates are engraved with the type and hardness, which makes it possible to easily recognise the part even after several years of use.
- The hood has a cross stamped on the top, which enhances its rigidity on mobile applications and also improves the evacuation of oils or liquids that precipitate onto it.

Applications

This mount is suitable for the isolation of mobile rotating machines which are exposed to axial and radial shocks, dripping oil, diesel or exposure to the weather. It is particularly interesting for applications where a high level of vibration isolation is required.

P2103.050 - P2103.096



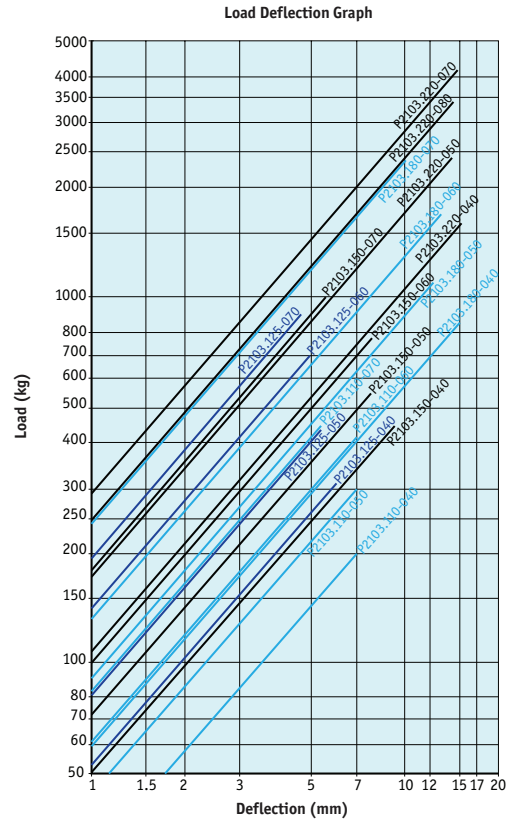
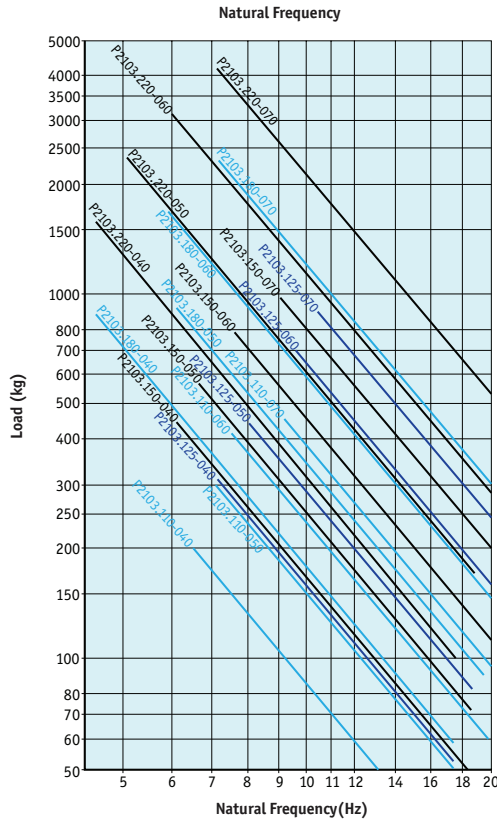
Mounts from Automotion Components

LEVELLING FEET

ov-W61280-AP2103-T-graph-a-rnh-Updated-15-02-2023



P2103.110 - P2103.220



Mounts from Automation Components

LEVELLING FEET