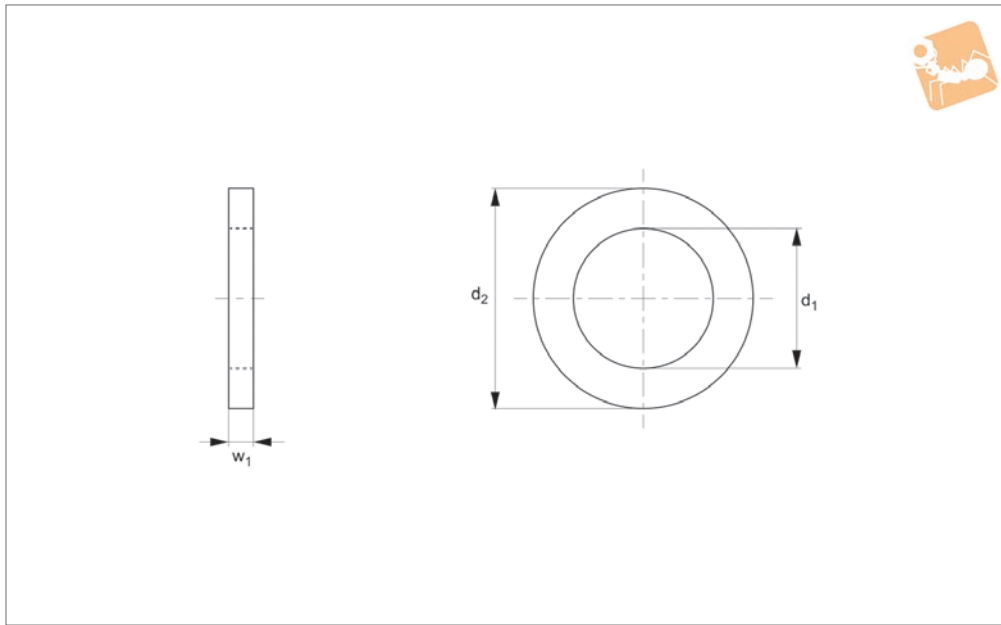
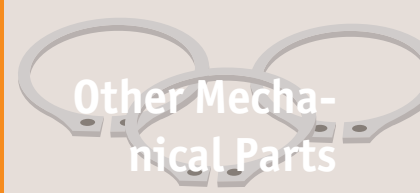




# Inner Race Shaft Spacers

stainless



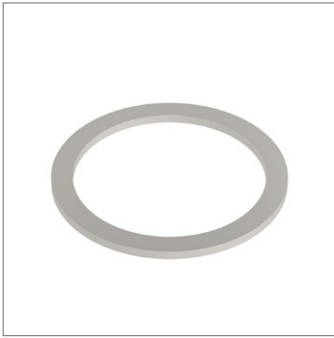
**P1320**

OTHER MECHANICAL PARTS

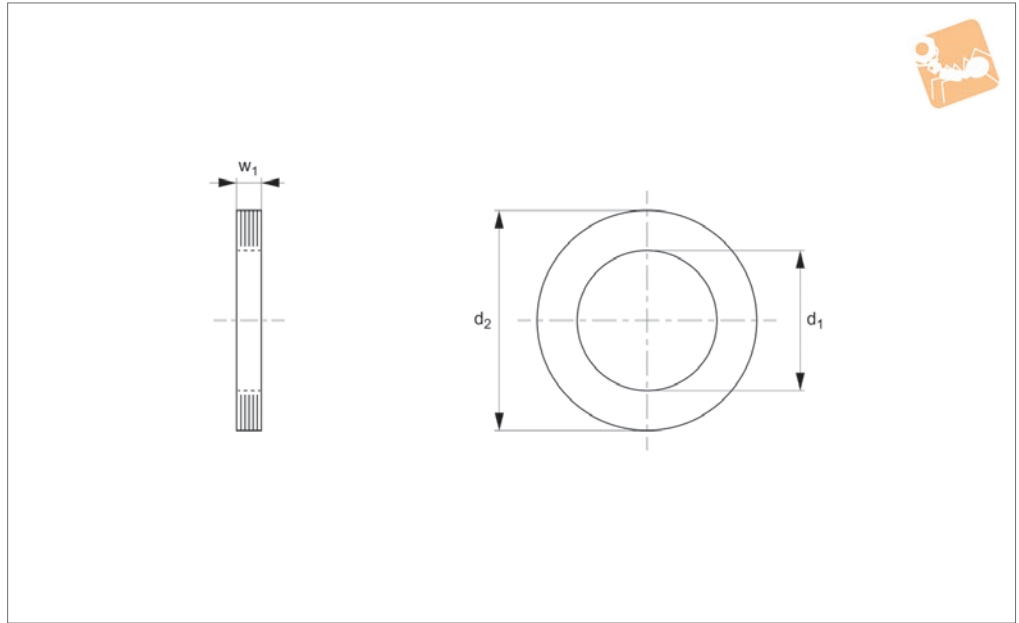
### Material

Stainless steel (DIN 1.4310).

Order No.	Shaft or bearing i/d	$d_1$ +0.13 -0.00	$d_2$ ±0.13	$w_1$ ±0.025
P1320.030-010	3.0	3.05	3.73	0.10
P1320.030-015	3.0	3.05	3.73	0.15
P1320.040-010	4.0	4.05	5.30	0.10
P1320.040-015	4.0	4.05	5.30	0.15
P1320.040-025	4.0	4.05	5.30	0.25
P1320.040-040	4.0	4.05	5.30	0.40
P1320.050-010	5.0	5.05	5.93	0.10
P1320.050-015	5.0	5.05	5.93	0.15
P1320.050-025	5.0	5.05	5.93	0.25
P1320.050-040	5.0	5.05	5.93	0.40
P1320.060-010	6.0	6.05	7.90	0.10
P1320.060-015	6.0	6.05	7.90	0.15
P1320.060-025	6.0	6.05	7.90	0.25
P1320.060-040	6.0	6.05	7.90	0.40
P1320.080-010	8.0	8.05	10.20	0.10
P1320.080-015	8.0	8.05	10.20	0.15
P1320.080-025	8.0	8.05	10.20	0.25
P1320.080-040	8.0	8.05	10.20	0.40
P1320.100-010	10.0	10.05	12.30	0.10
P1320.100-015	10.0	10.05	12.30	0.15
P1320.100-025	10.0	10.05	12.30	0.25



**P1322**



**Material**

Stainless steel (DIN 1.4300).

Order No.	$d_1$ +0.00 -0.13	$d_2$ +0.13 -0.00	$w_1$ $\pm 0.025$
P1322.070-15	7.0	6.25	0.15
P1322.070-25	7.0	6.25	0.25
P1322.080-15	8.0	6.75	0.15
P1322.080-25	8.0	6.75	0.25
P1322.090-15	9.0	7.85	0.15
P1322.090-25	9.0	7.85	0.25
P1322.090-40	9.0	7.85	0.40
P1322.100-15	10.0	8.25	0.15
P1322.100-25	10.0	8.25	0.25
P1322.110-15	11.0	10.00	0.15
P1322.110-25	11.0	10.00	0.25
P1322.130-15	13.0	11.15	0.15
P1322.130-25	13.0	11.15	0.25
P1322.130-40	13.0	11.15	0.40
P1322.150-15	15.0	13.00	0.15
P1322.150-25	15.0	13.00	0.25
P1322.160-15	16.0	13.85	0.15
P1322.160-25	16.0	13.85	0.25
P1322.160-40	16.0	13.85	0.40
P1322.190-15	19.0	16.65	0.15
P1322.190-25	19.0	16.65	0.25
P1322.190-40	19.0	16.65	0.40