

P1330

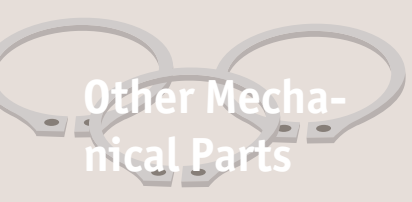
OTHER MECHANICAL PARTS

Material
Brass, nickel plated.

Relatively large wall thicknesses result in high compression strengths.

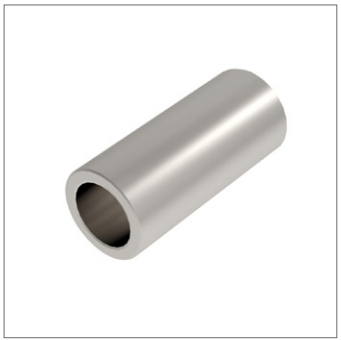
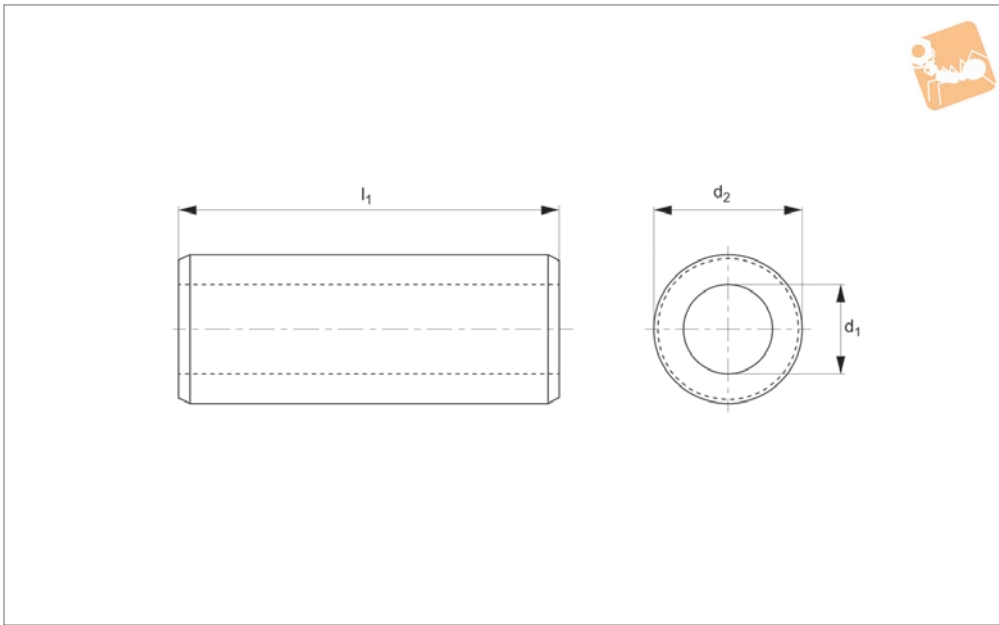
Technical Notes
Precision turned on outside diameter.

Order No.	d_1 nom.	d_1 max.	l_1 tol. js13	d_2 tol. h9
P1330.020-001	2	2.2	1	4
P1330.020-002	2	2.2	2	4
P1330.020-003	2	2.2	3	4
P1330.020-004	2	2.2	4	4
P1330.020-005	2	2.2	5	4
P1330.020-006	2	2.2	6	4
P1330.020-008	2	2.2	8	4
P1330.020-010	2	2.2	10	4
P1330.020-012	2	2.2	12	4
P1330.020-015	2	2.2	15	4
P1330.020-018	2	2.2	18	4
P1330.020-020	2	2.2	20	4
P1330.020-025	2	2.2	25	4
P1330.020-030	2	2.2	30	4
P1330.025-001	2.5	2.5	1	5
P1330.025-002	2.5	2.5	2	5
P1330.025-003	2.5	2.5	3	5
P1330.025-004	2.5	2.5	4	5
P1330.025-005	2.5	2.5	5	5
P1330.025-006	2.5	2.5	6	5
P1330.025-008	2.5	2.5	8	5
P1330.025-010	2.5	2.5	10	5
P1330.025-012	2.5	2.5	12	5
P1330.025-015	2.5	2.5	15	5
P1330.025-018	2.5	2.5	18	5
P1330.025-020	2.5	2.5	20	5
P1330.025-025	2.5	2.5	25	5
P1330.025-030	2.5	2.5	30	5
P1330.030-001	3	3.2	1	6
P1330.030-002	3	3.2	2	6
P1330.030-003	3	3.2	3	6
P1330.030-004	3	3.2	4	6
P1330.030-005	3	3.2	5	6
P1330.030-006	3	3.2	6	6



OTHER MECHANICAL PARTS

Order No.	d ₁ nom.	d ₁ max.	l ₁ tol. js13	d ₂ tol. h9
P1330.030-008	3	3.2	8	6
P1330.030-010	3	3.2	10	6
P1330.030-012	3	3.2	12	6
P1330.030-015	3	3.2	15	6
P1330.030-018	3	3.2	18	6
P1330.030-020	3	3.2	20	6
P1330.030-025	3	3.2	25	6
P1330.030-030	3	3.2	30	6
P1330.040-001	4	4.3	1	8
P1330.040-002	4	4.3	2	8
P1330.040-003	4	4.3	3	8
P1330.040-004	4	4.3	4	8
P1330.040-005	4	4.3	5	8
P1330.040-006	4	4.3	6	8
P1330.040-008	4	4.3	8	8
P1330.040-010	4	4.3	10	8
P1330.040-012	4	4.3	12	8
P1330.040-015	4	4.3	15	8
P1330.040-018	4	4.3	18	8
P1330.040-020	4	4.3	20	8
P1330.040-025	4	4.3	25	8
P1330.040-030	4	4.3	30	8
P1330.050-001	5	5.3	1	10
P1330.050-002	5	5.3	2	10
P1330.050-003	5	5.3	3	10
P1330.050-004	5	5.3	4	10
P1330.050-005	5	5.3	5	10
P1330.050-006	5	5.3	6	10
P1330.050-008	5	5.3	8	10
P1330.050-010	5	5.3	10	10
P1330.050-012	5	5.3	12	10
P1330.050-015	5	5.3	15	10
P1330.050-018	5	5.3	18	10
P1330.050-020	5	5.3	20	10
P1330.050-025	5	5.3	25	10
P1330.050-030	5	5.3	30	10



P1331

OTHER MECHANICAL PARTS

Material

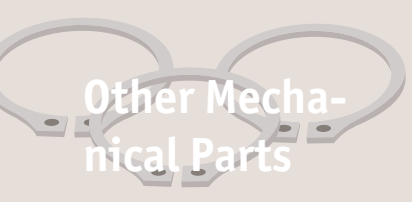
Stainless steel (AISI 303).

Relatively large wall thicknesses result in high compression strengths.

Technical Notes

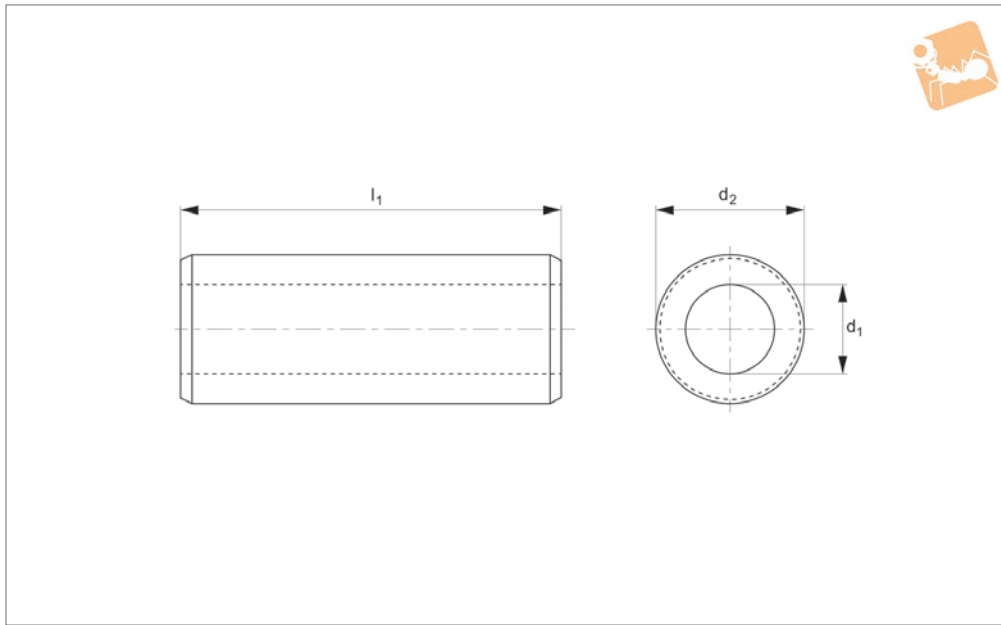
Precision turned on outside diameter.

Order No.	d_1 nom.	d_1 max.	l_1 tol. js13	d_2 tol. h9
P1331.020-001	2	2.2	1	4
P1331.020-002	2	2.2	2	4
P1331.020-003	2	2.2	3	4
P1331.020-004	2	2.2	4	4
P1331.020-005	2	2.2	5	4
P1331.020-006	2	2.2	6	4
P1331.020-008	2	2.2	8	4
P1331.020-010	2	2.2	10	4
P1331.020-012	2	2.2	12	4
P1331.020-015	2	2.2	15	4
P1331.020-018	2	2.2	18	4
P1331.020-020	2	2.2	20	4
P1331.020-025	2	2.2	25	4
P1331.020-030	2	2.2	30	4
P1331.025-001	2.5	2.5	1	5
P1331.025-002	2.5	2.5	2	5
P1331.025-003	2.5	2.5	3	5
P1331.025-004	2.5	2.5	4	5
P1331.025-005	2.5	2.5	5	5
P1331.025-006	2.5	2.5	6	5
P1331.025-008	2.5	2.5	8	5
P1331.025-010	2.5	2.5	10	5
P1331.025-012	2.5	2.5	12	5
P1331.025-015	2.5	2.5	15	5
P1331.025-018	2.5	2.5	18	5
P1331.025-020	2.5	2.5	20	5
P1331.025-025	2.5	2.5	25	5
P1331.025-030	2.5	2.5	30	5
P1331.030-001	3	3.2	1	6
P1331.030-002	3	3.2	2	6
P1331.030-003	3	3.2	3	6
P1331.030-004	3	3.2	4	6
P1331.030-005	3	3.2	5	6
P1331.030-006	3	3.2	6	6



OTHER MECHANICAL PARTS

Order No.	d ₁ nom.	d ₁ max.	l ₁ tol. js13	d ₂ tol. h9
P1331.030-008	3	3.2	8	6
P1331.030-010	3	3.2	10	6
P1331.030-012	3	3.2	12	6
P1331.030-015	3	3.2	15	6
P1331.030-018	3	3.2	18	6
P1331.030-020	3	3.2	20	6
P1331.030-025	3	3.2	25	6
P1331.030-030	3	3.2	30	6
P1331.040-001	4	4.3	1	8
P1331.040-002	4	4.3	2	8
P1331.040-003	4	4.3	3	8
P1331.040-004	4	4.3	4	8
P1331.040-005	4	4.3	5	8
P1331.040-006	4	4.3	6	8
P1331.040-008	4	4.3	8	8
P1331.040-010	4	4.3	10	8
P1331.040-012	4	4.3	12	8
P1331.040-015	4	4.3	15	8
P1331.040-018	4	4.3	18	8
P1331.040-020	4	4.3	20	8
P1331.040-025	4	4.3	25	8
P1331.040-030	4	4.3	30	8
P1331.050-001	5	5.3	1	10
P1331.050-002	5	5.3	2	10
P1331.050-003	5	5.3	3	10
P1331.050-004	5	5.3	4	10
P1331.050-005	5	5.3	5	10
P1331.050-006	5	5.3	6	10
P1331.050-008	5	5.3	8	10
P1331.050-010	5	5.3	10	10
P1331.050-012	5	5.3	12	10
P1331.050-015	5	5.3	15	10
P1331.050-018	5	5.3	18	10
P1331.050-020	5	5.3	20	10
P1331.050-025	5	5.3	25	10
P1331.050-030	5	5.3	30	10



P1332

OTHER MECHANICAL PARTS

Material
Nylon, PA66

Economical means of spacing components where high compression strength is not required.

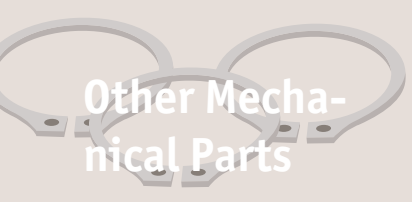
insulation.

Technical Notes

Precision turned on outside diameter.

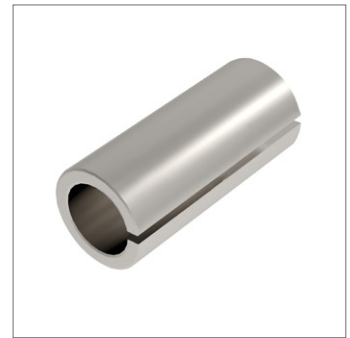
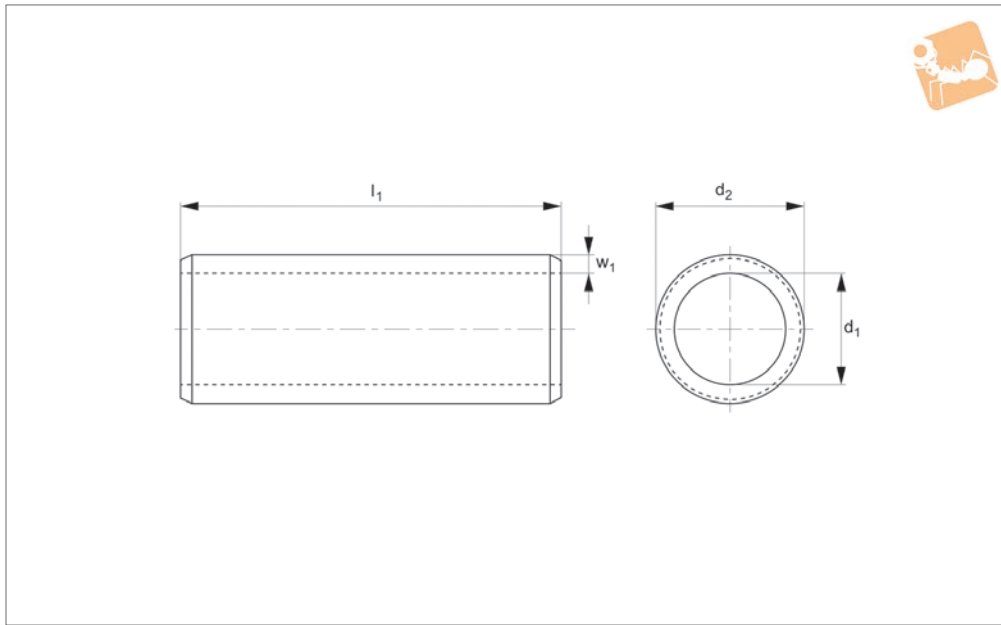
Provides corrosion resistance and electrical

Order No.	d_1 nom.	d_1 max.	l_1 tol. js13	d_2 tol. h9
P1332.030-001	3	3.2	1	6
P1332.030-002	3	3.2	2	6
P1332.030-003	3	3.2	3	6
P1332.030-004	3	3.2	4	6
P1332.030-005	3	3.2	5	6
P1332.030-006	3	3.2	6	6
P1332.030-008	3	3.2	8	6
P1332.030-010	3	3.2	10	6
P1332.030-012	3	3.2	12	6
P1332.030-015	3	3.2	15	6
P1332.030-018	3	3.2	18	6
P1332.030-020	3	3.2	20	6
P1332.030-025	3	3.2	25	6
P1332.030-030	3	3.2	30	6
P1332.040-001	4	4.3	1	8
P1332.040-002	4	4.3	2	8
P1332.040-003	4	4.3	3	8
P1332.040-004	4	4.3	4	8
P1332.040-005	4	4.3	5	8
P1332.040-006	4	4.3	6	8
P1332.040-008	4	4.3	8	8
P1332.040-010	4	4.3	10	8
P1332.040-012	4	4.3	12	8
P1332.040-016	4	4.3	16	8
P1332.040-018	4	4.3	18	8
P1332.040-020	4	4.3	20	8
P1332.040-025	4	4.3	25	8
P1332.040-030	4	4.3	30	8
P1332.050-001	5	5.3	1	10
P1332.050-002	5	5.3	2	10
P1332.050-003	5	5.3	3	10
P1332.050-004	5	5.3	4	10
P1332.050-005	5	5.3	5	10
P1332.050-006	5	5.3	6	10



OTHER MECHANICAL PARTS

Order No.	d ₁ nom.	d ₁ max.	l ₁ tol. js13	d ₂ tol. h9
P1332.050-008	5	5.3	8	10
P1332.050-010	5	5.3	10	10
P1332.050-012	5	5.3	12	10
P1332.050-015	5	5.3	15	10
P1332.050-018	5	5.3	18	10
P1332.050-020	5	5.3	20	10
P1332.050-025	5	5.3	25	10
P1332.050-030	5	5.3	30	10
P1332.060-001	6	6.4	1	10
P1332.060-002	6	6.4	2	10
P1332.060-003	6	6.4	3	10
P1332.060-004	6	6.4	4	10
P1332.060-005	6	6.4	5	10
P1332.060-006	6	6.4	6	10
P1332.060-008	6	6.4	8	10
P1332.060-010	6	6.4	10	10
P1332.060-012	6	6.4	12	10
P1332.060-015	6	6.4	15	10
P1332.060-018	6	6.4	18	10
P1332.060-020	6	6.4	20	10
P1332.060-025	6	6.4	25	10
P1332.060-030	6	6.4	30	10
P1332.080-001	8	8.2	1	12
P1332.080-002	8	8.2	2	12
P1332.080-003	8	8.2	3	12
P1332.080-004	8	8.2	4	12
P1332.080-005	8	8.2	5	12
P1332.080-006	8	8.2	6	12
P1332.080-008	8	8.2	8	12
P1332.080-010	8	8.2	10	12
P1332.080-012	8	8.2	12	12
P1332.080-015	8	8.2	15	12
P1332.080-018	8	8.2	18	12
P1332.080-020	8	8.2	20	12
P1332.080-025	8	8.2	25	12
P1332.080-030	8	8.2	30	12



P1335

OTHER MECHANICAL PARTS

Material

Mild steel (AISI 1010, CS4), zinc plated.

ring process makes them very cost-effective.

Technical Notes

These are rolled spacers - the manufactu-

Order No.	d_1 nom.	d_1 min.	d_1 max.	l_1 ± 0.15	d_2	w_1
P1335.030-004	3	3.15	3.3	4	4.4	0.5
P1335.030-006	3	3.15	3.3	6	4.4	0.5
P1335.030-008	3	3.15	3.3	8	4.4	0.5
P1335.030-010	3	3.15	3.3	10	4.4	0.5
P1335.030-012	3	3.15	3.3	12	4.4	0.5
P1335.030-014	3	3.15	3.3	14	4.4	0.5
P1335.030-016	3	3.15	3.3	16	4.4	0.5
P1335.030-018	3	3.15	3.3	18	4.4	0.5
P1335.030-020	3	3.15	3.3	20	4.4	0.5
P1335.040-004	4	4.15	4.3	4	5.8	0.7
P1335.040-006	4	4.15	4.3	6	5.8	0.7
P1335.040-008	4	4.15	4.3	8	5.8	0.7
P1335.040-010	4	4.15	4.3	10	5.8	0.7
P1335.040-012	4	4.15	4.3	12	5.8	0.7
P1335.040-014	4	4.15	4.3	14	5.8	0.7
P1335.040-016	4	4.15	4.3	16	5.8	0.7
P1335.040-018	4	4.15	4.3	18	5.8	0.7
P1335.040-020	4	4.15	4.3	20	5.8	0.7
P1335.040-022	4	4.15	4.3	22	5.8	0.7
P1335.040-024	4	4.15	4.3	24	5.8	0.7
P1335.040-026	4	4.15	4.3	26	5.8	0.7
P1335.040-028	4	4.15	4.3	28	5.8	0.7
P1335.040-030	4	4.15	4.3	30	5.8	0.7
P1335.050-006	5	5.2	5.4	6	6.9	0.7
P1335.050-008	5	5.2	5.4	8	6.9	0.7
P1335.050-010	5	5.2	5.4	10	6.9	0.7
P1335.050-012	5	5.2	5.4	12	6.9	0.7
P1335.050-014	5	5.2	5.4	14	6.9	0.7
P1335.050-016	5	5.2	5.4	16	6.9	0.7
P1335.050-018	5	5.2	5.4	18	6.9	0.7
P1335.050-020	5	5.2	5.4	20	6.9	0.7
P1335.050-022	5	5.2	5.4	22	6.9	0.7
P1335.050-024	5	5.2	5.4	24	6.9	0.7
P1335.050-026	5	5.2	5.4	26	6.9	0.7



Order No.	d ₁ nom.	d ₁ min.	d ₁ max.	l ₁ ±0.15	d ₂	w ₁
P1335.050-028	5	5.2	5.4	28	6.9	0.7
P1335.050-030	5	5.2	5.4	30	6.9	0.7
P1335.050-035	5	5.2	5.4	35	6.9	0.7
P1335.060-006	6	6.2	6.4	6	8.2	0.9
P1335.060-008	6	6.2	6.4	8	8.2	0.9
P1335.060-010	6	6.2	6.4	10	8.2	0.9
P1335.060-012	6	6.2	6.4	12	8.2	0.9
P1335.060-014	6	6.2	6.4	14	8.2	0.9
P1335.060-016	6	6.2	6.4	16	8.2	0.9
P1335.060-018	6	6.2	6.4	18	8.2	0.9
P1335.060-020	6	6.2	6.4	20	8.2	0.9
P1335.060-022	6	6.2	6.4	22	8.2	0.9
P1335.060-024	6	6.2	6.4	24	8.2	0.9
P1335.060-026	6	6.2	6.4	26	8.2	0.9
P1335.060-028	6	6.2	6.4	28	8.2	0.9
P1335.060-030	6	6.2	6.4	30	8.2	0.9
P1335.060-035	6	6.2	6.4	35	8.2	0.9
P1335.060-040	6	6.2	6.4	40	8.2	0.9
P1335.080-006	8	8.2	8.5	6	10.7	1.1
P1335.080-008	8	8.2	8.5	8	10.7	1.1
P1335.080-010	8	8.2	8.5	10	10.7	1.1
P1335.080-012	8	8.2	8.5	12	10.7	1.1
P1335.080-014	8	8.2	8.5	14	10.7	1.1
P1335.080-016	8	8.2	8.5	16	10.7	1.1
P1335.080-018	8	8.2	8.5	18	10.7	1.1
P1335.080-020	8	8.2	8.5	20	10.7	1.1
P1335.080-022	8	8.2	8.5	22	10.7	1.1
P1335.080-024	8	8.2	8.5	24	10.7	1.1
P1335.080-026	8	8.2	8.5	26	10.7	1.1
P1335.080-028	8	8.2	8.5	28	10.7	1.1
P1335.080-030	8	8.2	8.5	30	10.7	1.1
P1335.080-035	8	8.2	8.5	35	10.7	1.1
P1335.080-040	8	8.2	8.5	40	10.7	1.1
P1335.080-045	8	8.2	8.5	45	10.7	1.1
P1335.080-050	8	8.2	8.5	50	10.7	1.1
P1335.100-006	10	10.2	10.5	6	13.0	1.2
P1335.100-008	10	10.2	10.5	8	13.0	1.2
P1335.100-010	10	10.2	10.5	10	13.0	1.2
P1335.100-012	10	10.2	10.5	12	13.0	1.2
P1335.100-014	10	10.2	10.5	14	13.0	1.2
P1335.100-016	10	10.2	10.5	16	13.0	1.2
P1335.100-018	10	10.2	10.5	18	13.0	1.2
P1335.100-020	10	10.2	10.5	20	13.0	1.2
P1335.100-022	10	10.2	10.5	22	13.0	1.2
P1335.100-024	10	10.2	10.5	24	13.0	1.2
P1335.100-026	10	10.2	10.5	26	13.0	1.2
P1335.100-028	10	10.2	10.5	28	13.0	1.2
P1335.100-030	10	10.2	10.5	30	13.0	1.2
P1335.100-035	10	10.2	10.5	35	13.0	1.2
P1335.100-040	10	10.2	10.5	40	13.0	1.2
P1335.100-045	10	10.2	10.5	45	13.0	1.2
P1335.100-050	10	10.2	10.5	50	13.0	1.2
P1335.100-055	10	10.2	10.5	55	13.0	1.2
P1335.100-060	10	10.2	10.5	60	13.0	1.2
P1335.120-012	12	12.25	12.7	12	15.9	1.6
P1335.120-014	12	12.25	12.7	14	15.9	1.6
P1335.120-016	12	12.25	12.7	16	15.9	1.6
P1335.120-018	12	12.25	12.7	18	15.9	1.6
P1335.120-020	12	12.25	12.7	20	15.9	1.6
P1335.120-022	12	12.25	12.7	22	15.9	1.6
P1335.120-024	12	12.25	12.7	24	15.9	1.6
P1335.120-026	12	12.25	12.7	26	15.9	1.6
P1335.120-028	12	12.25	12.7	28	15.9	1.6
P1335.120-030	12	12.25	12.7	30	15.9	1.6
P1335.120-035	12	12.25	12.7	35	15.9	1.6
P1335.120-040	12	12.25	12.7	40	15.9	1.6
P1335.120-045	12	12.25	12.7	45	15.9	1.6
P1335.120-050	12	12.25	12.7	50	15.9	1.6



Clearance Spacers - Steel

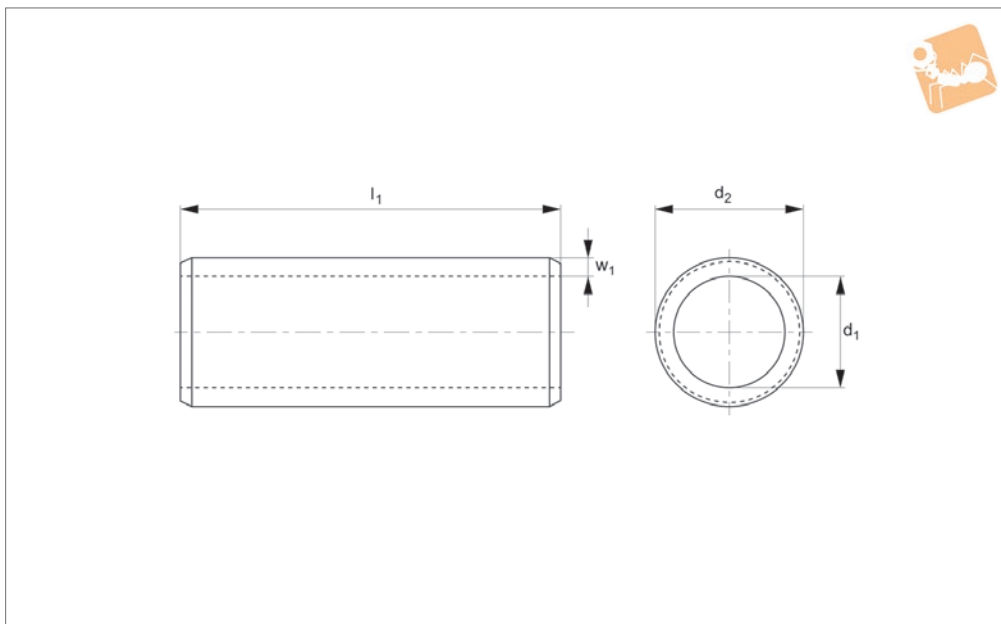


Other Mechanical Parts

Order No.	d ₁ nom.	d ₁ min.	d ₁ max.	l ₁ ±0.15	d ₂	w ₁
P1335.120-055	12	12.25	12.7	55	15.9	1.6
P1335.120-060	12	12.25	12.7	60	15.9	1.6



P1336



Material

Mild steel (AISI 1010, CS4), zinc plated.

ring process makes them very cost effective.

Technical Notes

These are rolled spacers - the manufactu-

Order No.	d ₁ nom.	d ₁ min.	d ₁ max.	l ₁ ±0.15	d ₂	w ₁
P1336.030-004	3	3.1	3.3	4	4.8	0.7
P1336.030-006	3	3.1	3.3	6	4.8	0.7
P1336.030-008	3	3.1	3.3	8	4.8	0.7
P1336.030-010	3	3.1	3.3	10	4.8	0.7
P1336.030-012	3	3.1	3.3	12	4.8	0.7
P1336.030-014	3	3.1	3.3	14	4.8	0.7
P1336.030-016	3	3.1	3.3	16	4.8	0.7
P1336.030-018	3	3.1	3.3	18	4.8	0.7
P1336.030-020	3	3.1	3.3	20	4.8	0.7
P1336.040-004	4	4.1	4.35	4	6.4	1.0
P1336.040-006	4	4.1	4.35	6	6.4	1.0
P1336.040-008	4	4.1	4.35	8	6.4	1.0
P1336.040-010	4	4.1	4.35	10	6.4	1.0
P1336.040-012	4	4.1	4.35	12	6.4	1.0
P1336.040-014	4	4.1	4.35	14	6.4	1.0
P1336.040-016	4	4.1	4.35	16	6.4	1.0
P1336.040-018	4	4.1	4.35	18	6.4	1.0
P1336.040-020	4	4.1	4.35	20	6.4	1.0
P1336.040-022	4	4.1	4.35	22	6.4	1.0
P1336.040-024	4	4.1	4.35	24	6.4	1.0
P1336.040-026	4	4.1	4.35	26	6.4	1.0
P1336.040-028	4	4.1	4.35	28	6.4	1.0
P1336.040-030	4	4.1	4.35	30	6.4	1.0
P1336.050-006	5	5.1	5.4	6	7.8	1.2
P1336.050-008	5	5.1	5.4	8	7.8	1.2
P1336.050-010	5	5.1	5.4	10	7.8	1.2
P1336.050-012	5	5.1	5.4	12	7.8	1.2
P1336.050-014	5	5.1	5.4	14	7.8	1.2
P1336.050-016	5	5.1	5.4	16	7.8	1.2
P1336.050-018	5	5.1	5.4	18	7.8	1.2
P1336.050-020	5	5.1	5.4	20	7.8	1.2
P1336.050-022	5	5.1	5.4	22	7.8	1.2
P1336.050-024	5	5.1	5.4	24	7.8	1.2
P1336.050-026	5	5.1	5.4	26	7.8	1.2



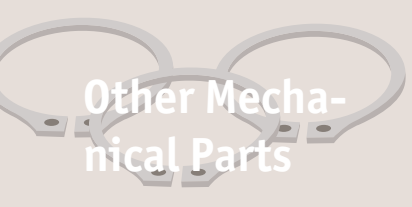
Steel Clearance Spacers



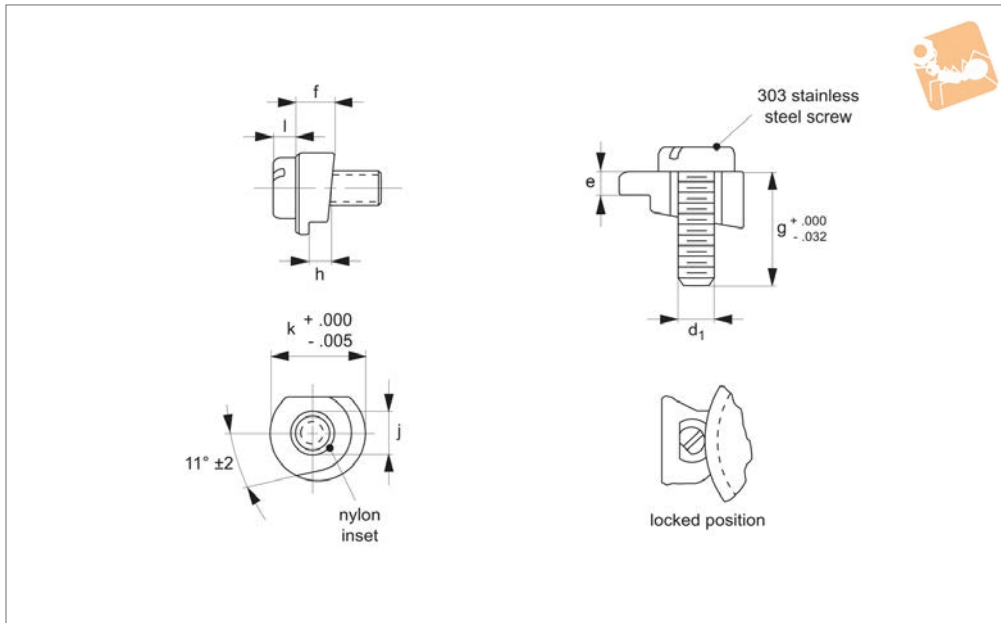
Other Mechanical Parts

Order No.	d ₁ nom.	d ₁ min.	d ₁ max.	l ₁ ±0.15	d ₂	w ₁
P1336.050-028	5	5.1	5.4	28	7.8	1.2
P1336.050-030	5	5.1	5.4	30	7.8	1.2
P1336.050-035	5	5.1	5.4	35	7.8	1.2
P1336.060-006	6	6.1	6.4	6	9.4	1.5
P1336.060-008	6	6.1	6.4	8	9.4	1.5
P1336.060-010	6	6.1	6.4	10	9.4	1.5
P1336.060-012	6	6.1	6.4	12	9.4	1.5
P1336.060-014	6	6.1	6.4	14	9.4	1.5
P1336.060-016	6	6.1	6.4	16	9.4	1.5
P1336.060-018	6	6.1	6.4	18	9.4	1.5
P1336.060-020	6	6.1	6.4	20	9.4	1.5
P1336.060-022	6	6.1	6.4	22	9.4	1.5
P1336.060-024	6	6.1	6.4	24	9.4	1.5
P1336.060-026	6	6.1	6.4	26	9.4	1.5
P1336.060-028	6	6.1	6.4	28	9.4	1.5
P1336.060-030	6	6.1	6.4	30	9.4	1.5
P1336.060-035	6	6.1	6.4	35	9.4	1.5
P1336.060-040	6	6.1	6.4	40	9.4	1.5
P1336.080-006	8	8.1	8.6	6	11.9	1.7
P1336.080-008	8	8.1	8.6	8	11.9	1.7
P1336.080-010	8	8.1	8.6	10	11.9	1.7
P1336.080-012	8	8.1	8.6	12	11.9	1.7
P1336.080-014	8	8.1	8.6	14	11.9	1.7
P1336.080-016	8	8.1	8.6	16	11.9	1.7
P1336.080-018	8	8.1	8.6	18	11.9	1.7
P1336.080-020	8	8.1	8.6	20	11.9	1.7
P1336.080-022	8	8.1	8.6	22	11.9	1.7
P1336.080-024	8	8.1	8.6	24	11.9	1.7
P1336.080-026	8	8.1	8.6	26	11.9	1.7
P1336.080-028	8	8.1	8.6	28	11.9	1.7
P1336.080-030	8	8.1	8.6	30	11.9	1.7
P1336.080-035	8	8.1	8.6	35	11.9	1.7
P1336.080-040	8	8.1	8.6	40	11.9	1.7
P1336.080-045	8	8.1	8.6	45	11.9	1.7
P1336.080-050	8	8.1	8.6	50	11.9	1.7
P1336.100-008	10	10.1	10.6	8	14.6	2.0
P1336.100-010	10	10.1	10.6	10	14.6	2.0
P1336.100-012	10	10.1	10.6	12	14.6	2.0
P1336.100-014	10	10.1	10.6	14	14.6	2.0
P1336.100-016	10	10.1	10.6	16	14.6	2.0
P1336.100-018	10	10.1	10.6	18	14.6	2.0
P1336.100-020	10	10.1	10.6	20	14.6	2.0
P1336.100-022	10	10.1	10.6	22	14.6	2.0
P1336.100-024	10	10.1	10.6	24	14.6	2.0
P1336.100-026	10	10.1	10.6	26	14.6	2.0
P1336.100-028	10	10.1	10.6	28	14.6	2.0
P1336.100-030	10	10.1	10.6	30	14.6	2.0
P1336.100-035	10	10.1	10.6	35	14.6	2.0
P1336.100-040	10	10.1	10.6	40	14.6	2.0
P1336.100-045	10	10.1	10.6	45	14.6	2.0
P1336.100-050	10	10.1	10.6	50	14.6	2.0
P1336.100-055	10	10.1	10.6	55	14.6	2.0
P1336.100-060	10	10.1	10.6	60	14.6	2.0
P1336.120-012	12	12.15	13.0	12	17.2	2.2
P1336.120-014	12	12.15	13.0	14	17.2	2.2
P1336.120-016	12	12.15	13.0	16	17.2	2.2
P1336.120-018	12	12.15	13.0	18	17.2	2.2
P1336.120-020	12	12.15	13.0	20	17.2	2.2
P1336.120-022	12	12.15	13.0	22	17.2	2.2
P1336.120-024	12	12.15	13.0	24	17.2	2.2
P1336.120-026	12	12.15	13.0	26	17.2	2.2
P1336.120-028	12	12.15	13.0	28	17.2	2.2
P1336.120-030	12	12.15	13.0	30	17.2	2.2
P1336.120-035	12	12.15	13.0	35	17.2	2.2
P1336.120-040	12	12.15	13.0	40	17.2	2.2
P1336.120-045	12	12.15	13.0	45	17.2	2.2
P1336.120-050	12	12.15	13.0	50	17.2	2.2
P1336.120-055	12	12.15	13.0	55	17.2	2.2

OTHER MECHANICAL PARTS



Order No.	d ₁ nom.	d ₁ min.	d ₁ max.	l ₁ ±0.15	d ₂	w ₁
P1336.120-060	12	12.15	13.0	60	17.2	2.2
P1336.120-065	12	12.15	13.0	65	17.2	2.2
P1336.120-070	12	12.15	13.0	70	17.2	2.2



P0292

OTHER MECHANICAL PARTS

Material

Stainless steel (A4, AISI316, DIN 1.4401), with nylon insert.
 Supplied with A2 (AISI303) stainless steel screw (screws not supplied with P1092.019, .020, or .026).

Technical Notes

Quick release, faster clamping and self-locking.

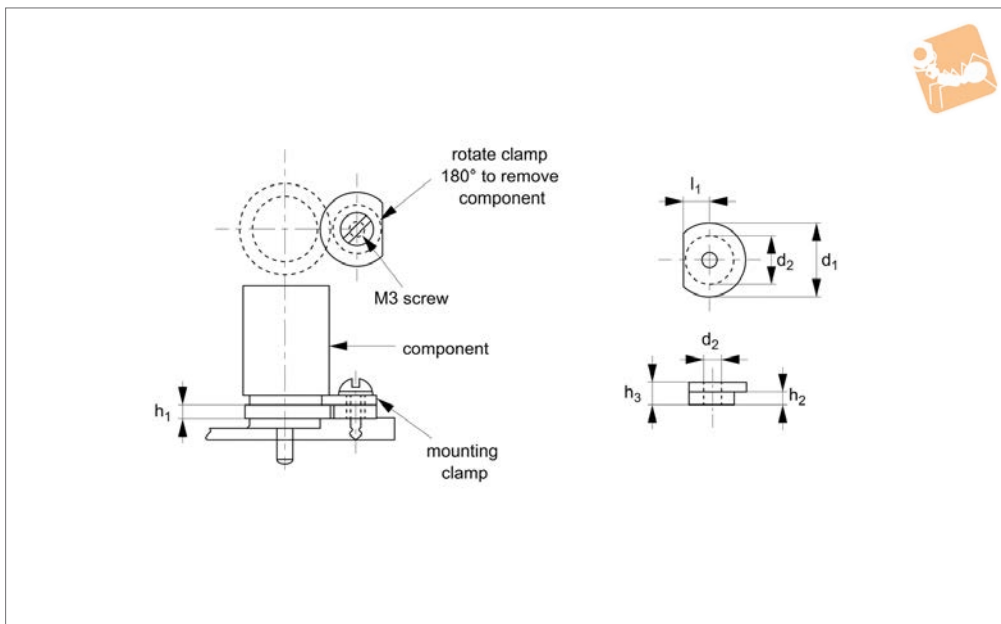
Tips

Bolt circle: use the larger of the following two bolt circles:
 add 6,86 to max. flange diameter or add 10,16 to max. groove base diameter.

Order No.	h_1 $\pm 6,08$	d_1	h_2 $\pm 0,08$	h_3	h_4	l_1 $+0 -0,8$	w_1	w_2 $+0 -0,15$
P0292.079	0.79	M3	1.02	1.80	1.73	8.0	9.90	3.18
P0292.157	1.57	M3	1.02	2.59	1.73	8.0	9.90	3.18
P0292.158	1.58	M3	1.27	2.84	1.73	10.0	9.90	3.18
P0292.159	1.57	M3	1.60	3.18	1.73	10.0	9.90	3.18
P0292.198	1.98	M3	1.60	3.58	1.73	10.0	9.90	3.18
P0292.236	2.36	M3	1.02	3.38	1.73	10.0	9.90	3.18
P0292.237	2.36	M3	1.27	3.63	1.73	10.0	9.90	3.18
P0292.238	2.36	M3	1.60	3.96	1.73	10.0	9.90	3.18
P0292.318	3.18	M3	1.27	4.45	1.73	10.0	9.90	3.18
P0292.396	3.96	M3	1.02	4.98	1.73	10.0	9.90	3.18
P0292.572	5.72	M3	1.60	7.32	1.73	12.0	9.90	3.18
P0292.635	6.35	M3	1.60	7.92	1.73	16.0	9.90	3.18



P0294



Material

Stainless steel (A2, AISI 303 or 416) or aluminium.

Technical Notes

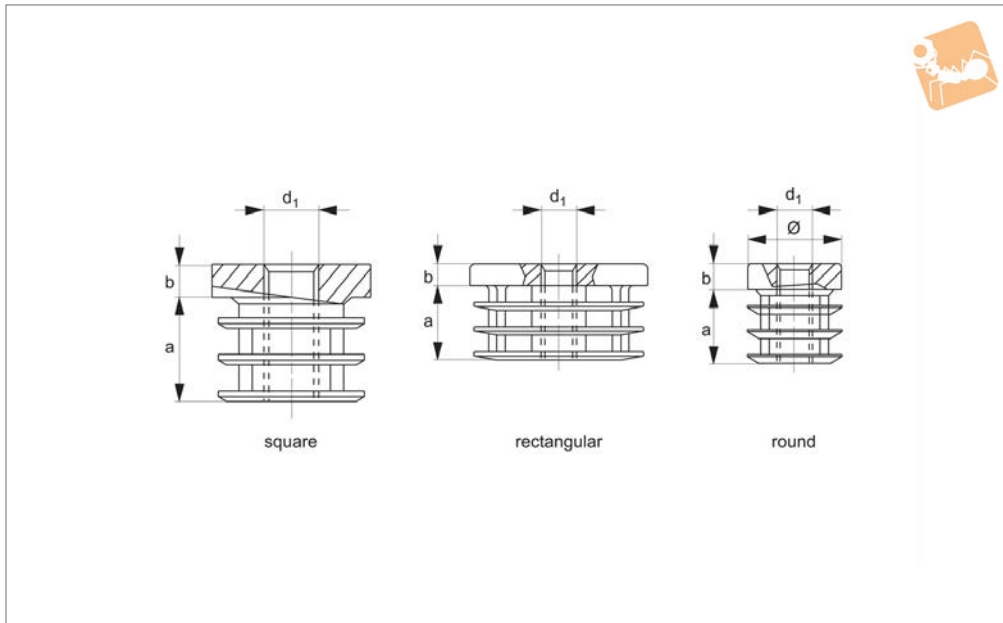
416 stainless steel is a less expensive stainless steel version as it is less corrosion

resistant than the A2 (AISI 303) grade.

Order No.	h_1	d_1	d_2	d_3	h_2	h_3	l_1	Material
P0294.015	1.57	9.5	6.3	3.2	1.32	2.54	3.2	Stainless 416
P0294.018	1.83	9.5	6.3	3.2	1.60	2.87	3.2	Stainless 416
P0294.023	2.36	9.5	6.3	3.2	2.08	3.33	3.2	Stainless 416
P0294.031	3.18	9.5	6.3	3.2	2.77	4.60	3.2	Stainless 416
P0294.032	3.18	9.5	6.3	3.2	2.84	4.11	3.2	Stainless 416
P0294.039	3.96	9.5	6.3	3.2	3.63	4.90	3.2	Stainless 416
P0294.057	5.72	9.5	6.3	3.2	5.41	6.68	3.2	Stainless 416
P0294.063	6.35	9.5	6.3	3.2	6.05	7.32	3.2	Stainless 416
P0294.015-A2	1.57	9.5	6.3	3.2	1.32	2.54	3.2	Stainless A2
P0294.018-A2	1.83	9.5	6.3	3.2	1.60	2.87	3.2	Stainless A2
P0294.023-A2	2.36	9.5	6.3	3.2	2.08	3.33	3.2	Stainless A2
P0294.031-A2	3.18	9.5	6.3	3.2	2.77	4.60	3.2	Stainless A2
P0294.032-A2	3.18	9.5	6.3	3.2	2.84	4.11	3.2	Stainless A2
P0294.1039-A2	3.96	9.5	6.3	3.2	3.63	4.90	3.2	Stainless A2
P0294.057-A2	5.72	9.5	6.3	3.2	5.41	6.68	3.2	Stainless A2
P0294.063-A2	6.35	9.5	6.3	3.2	6.05	7.32	3.2	Stainless A2
P0294.015-AL	1.57	9.5	6.3	3.2	1.32	2.54	3.2	Aluminium
P0294.023-AL	2.36	9.5	6.3	3.2	2.08	3.33	3.2	Aluminium
P0294.031-AL	3.18	9.5	6.3	3.2	2.77	4.60	3.2	Aluminium
P0294.063-AL	6.35	9.5	6.3	3.2	6.05	7.32	3.2	Aluminium



Threaded Plastic Inserts for Hollow no bush



P1970

OTHER MECHANICAL PARTS

Material

Thermoplastic, black. Moulded thread.

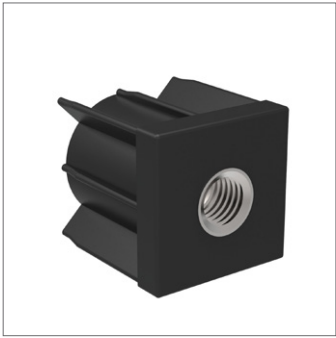
Technical Notes

For use with fixed feet.

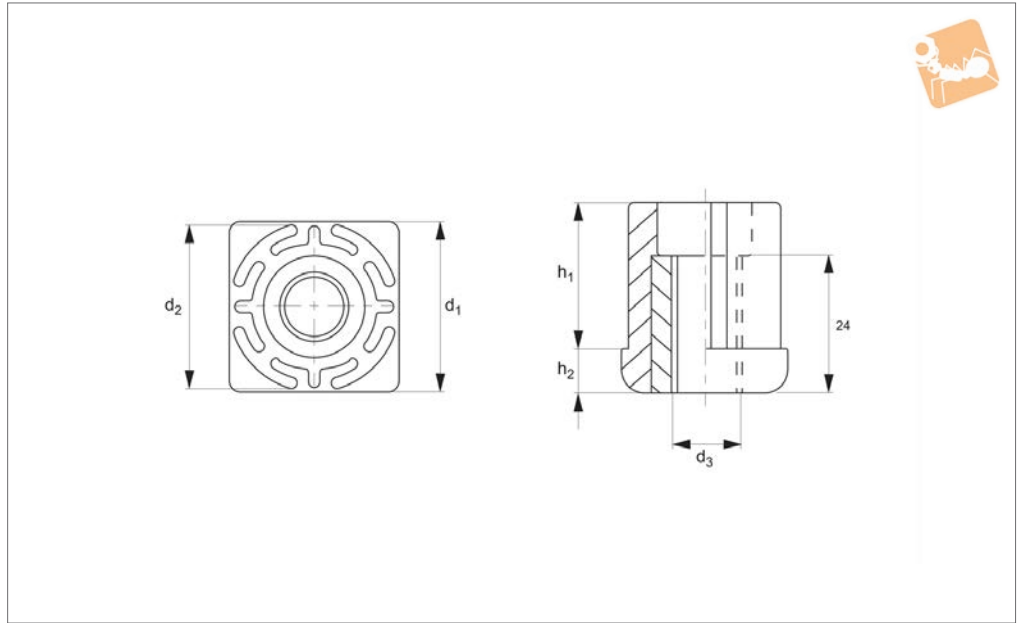
Tips

M 8 available on request, subject to minimum order quantity.

Order No.	Type	Tube size mm	d_1	a	b
P1970.40-40	Square	40x40	M10	22	6



P1974



Material

Body: polyamide reinforced nylon.
 Bush: brass, nickel plated.

Technical Notes

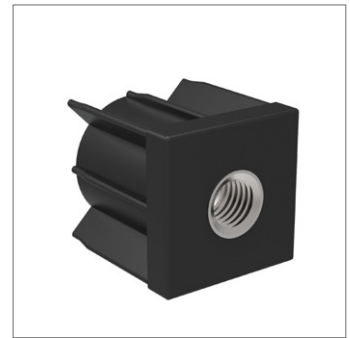
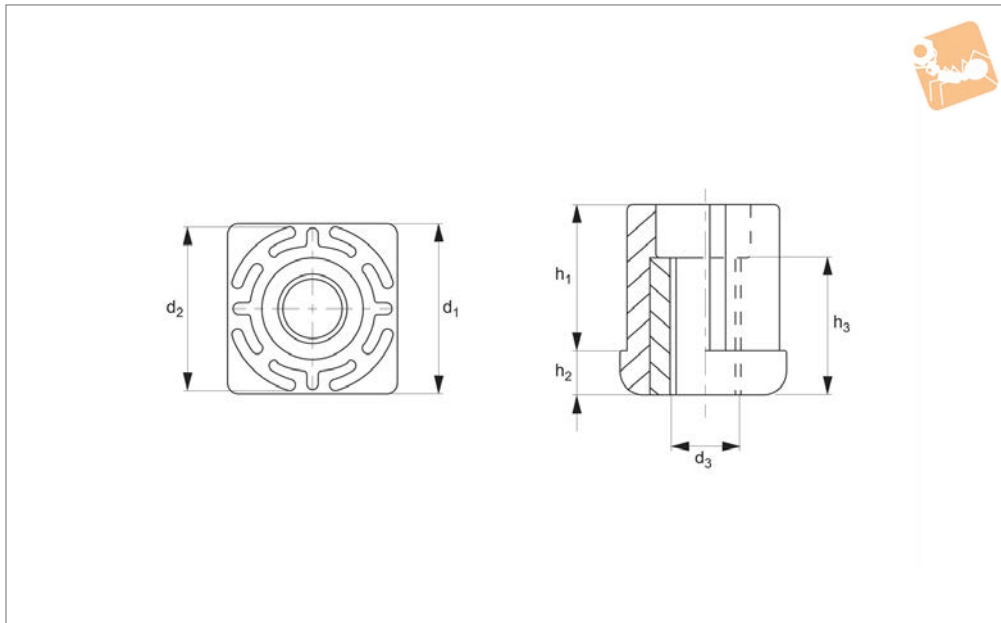
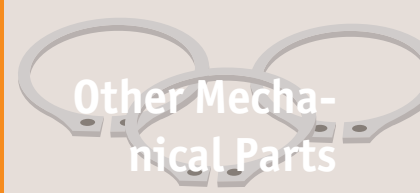
For use with levelling feet parts.

Order No.	Outerbox d_1	Innerbox d_2	d_3	h_1	h_2	Rec. load kg max.
P1974.212	40x40x1,5	37	M12	35	8	1000





Threaded Plastic Insert for Hollow with stainless steel bush



P1975

OTHER MECHANICAL PARTS

Material

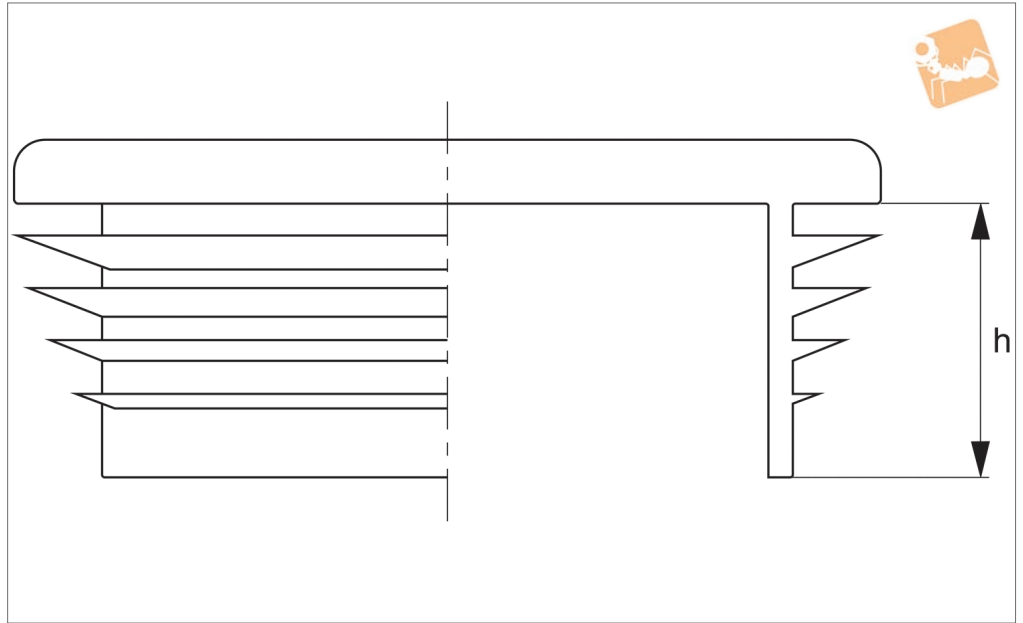
Bush: stainless steel, type AISI 303.

Moulding: polyamide reinforced nylon.

Order No.	Outerbox d_1	Innerbox d_2	d_3	h_1	h_2	h_3	Load capacity for static load kg max.
P1975.112	30x30x1,5	27	M12	35	8	24	500
P1975.210	40x40x1,5	37	M10	35	8	24	1000



P1982



OTHER MECHANICAL PARTS

Material

Low density polyethylene, black.

Technical Notes

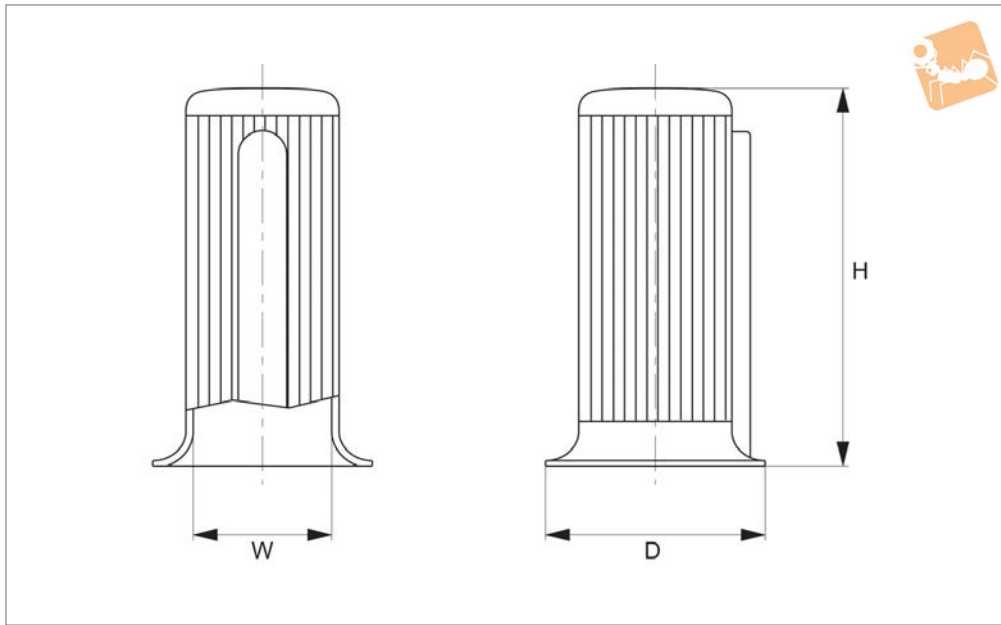
Insert ribs provide secure fitting.

Important Notes

Sold subject to minimum pack quantity.



Drive Shaft Protection Caps push-fit



P1984

OTHER MECHANICAL PARTS

Material

Low density polyethylene, yellow.

Important Notes

Sold subject to minimum pack quantity.

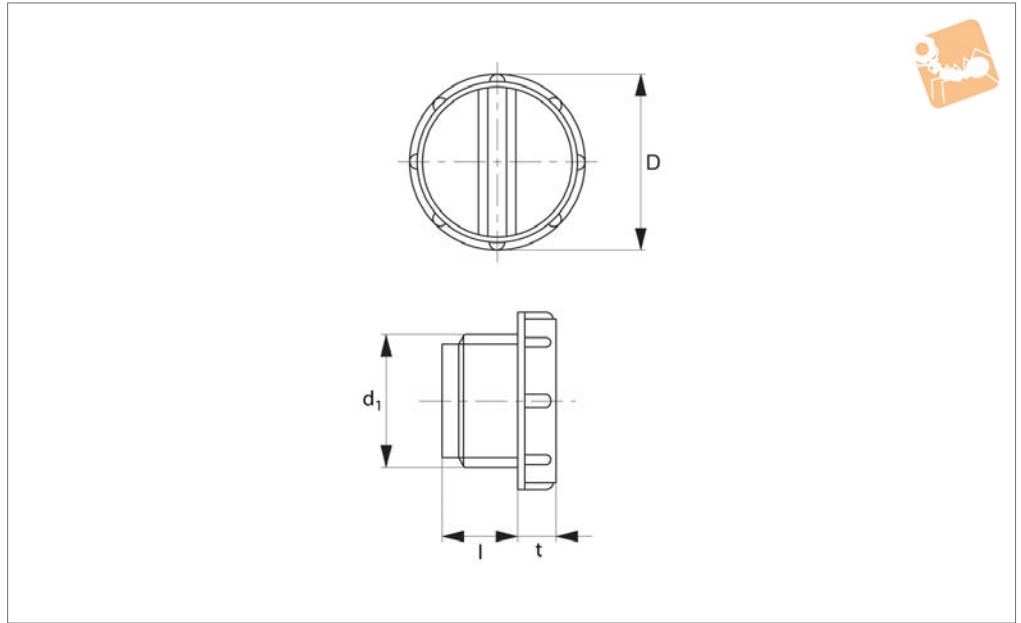
Technical Notes

For protection of drive shafts to DIN 748.

Order No.	w	d	h
P1984.009	9.0	14.5	24.0
P1984.011	11.0	17.5	27.5
P1984.014	14.0	22.5	35.0
P1984.015	15.0	25.5	32.0
P1984.016	16.0	25.5	47.0
P1984.019	19.0	30.5	47.0
P1984.020	20.0	32.0	58.5
P1984.022	22.0	35.5	58.5
P1984.024	24.0	38.5	58.5
P1984.025	25.0	40.0	70.0
P1984.028	28.0	45.0	70.0
P1984.030	30.0	48.0	93.5
P1984.032	32.0	51.0	93.5
P1984.035	35.0	56.0	93.5
P1984.038	38.0	61.0	93.5
P1984.042	42.0	67.0	127.5
P1984.045	45.0	72.0	117.5
P1984.048	48.0	77.0	127.5
P1984.055	55.0	88.0	127.5
P1984.060	60.0	96.0	164.0
P1984.065	65.0	104.0	164.0
P1984.075	75.0	112.0	164.0



P1990



Material

Low density polyethylene, yellow.

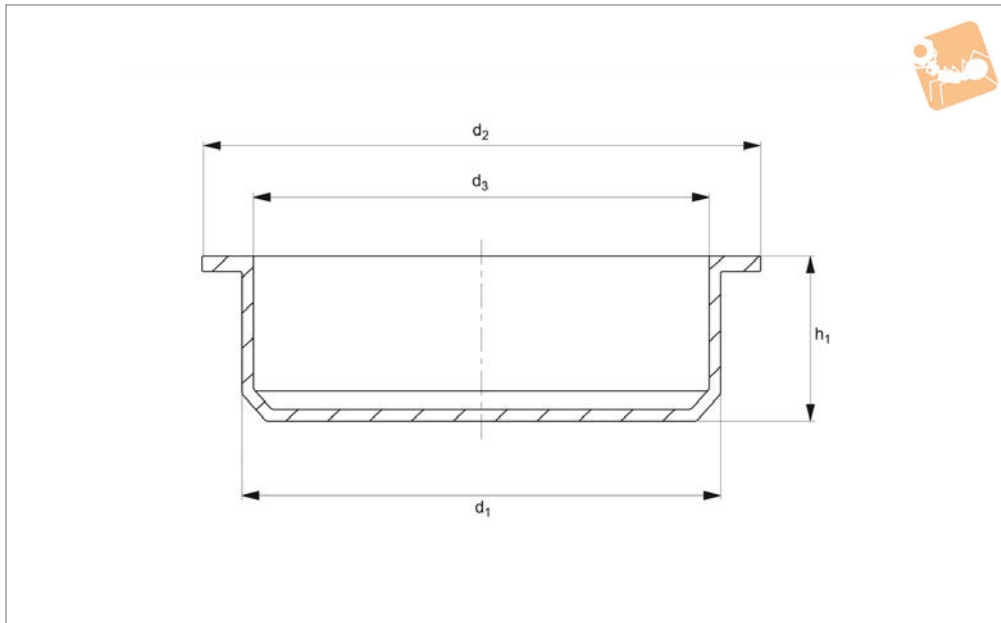
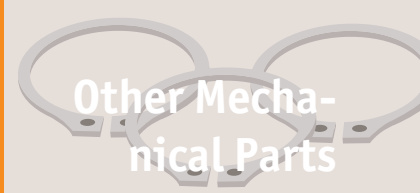
Important Notes

Sold subject to minimum pack quantity.



Parallel Protection Plug

push fit



P1980

OTHER MECHANICAL PARTS

Material

Polyethylene, natural colour.

cations.

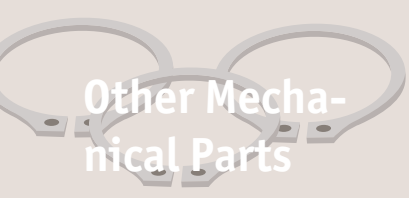
Technical Notes

General purpose for a wide range of appli-

Important Notes

Sold subject to minimum pack quantity.

Order No.	d_1	d_2	d_3	h_1	Thread	Thread inch
P1980.035	3.5	6.9	2.0	5.5	M 4	-
P1980.055	5.5	9.0	4.5	7.0	-	-
P1980.065	6.5	9.9	5.5	8.0	-	-
P1980.075	7.5	10.5	6.3	7.5	-	-
P1980.085	8.5	11.5	7.5	8.7	M10	-
P1980.095	9.5	12.3	8.5	8.2	-	-
P1980.026	26.0	30.9	24.5	11.6	-	-
P1980.026.5	26.5	30.4	25.0	11.5	-	-
P1980.027	27.0	31.0	25.2	10.4	M30	-
P1980.028	28.0	31.3	26.0	11.5	-	-
P1980.029	29.0	32.0	27.0	10.5	-	7/8"
P1980.031	31.0	35.0	29.0	11.8	-	1"
P1980.032	32.0	36.9	30.0	11.6	-	-
P1980.032.5	32.5	37.4	30.5	11.6	M36	-
P1980.033	33.0	37.7	31.0	11.4	-	-
P1980.034	34.0	38.5	32.0	11.7	-	-
P1980.036	36.0	41.2	34.0	12.0	M39	-
P1980.037	37.0	41.6	35.0	11.5	-	-
P1980.038	38.0	42.0	36.0	11.5	M42	-
P1980.039	39.0	43.8	37.0	11.3	-	-
P1980.046	46.0	50.6	44.0	11.3	-	1,1/2"
P1980.047	47.0	51.3	45.0	11.3	-	-
P1980.048	48.0	53.2	46.0	11.5	-	-
P1980.049	49.0	53.7	47.0	11.5	-	-
P1980.050	50.0	54.1	48.0	11.0	-	-
P1980.051	51.0	54.5	49.0	10.8	-	-
P1980.052	52.0	60.0	50.0	12.0	-	-
P1980.053	53.0	59.0	51.0	11.9	-	-
P1980.054	54.0	60.5	52.0	12.0	-	-
P1980.056	56.0	62.4	54.0	13.0	-	-
P1980.057	57.0	60.2	55.0	10.8	-	-
P1980.058	58.0	64.6	56.0	11.7	-	-
P1980.059	59.0	66.7	57.0	10.7	-	-
P1980.060	60.0	67.3	58.0	12.0	-	-



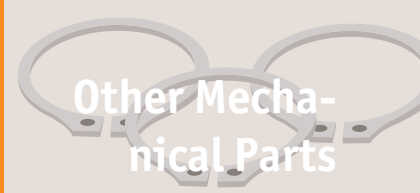
OTHER MECHANICAL PARTS

Order No.	d ₁	d ₂	d ₃	h ₁	Thread	Thread inch
P1980.061	61.0	67.1	59.0	12.5	-	-
P1980.062	62.0	68.7	60.0	12.2	-	-
P1980.063	63.0	66.5	61.0	11.0	-	-
P1980.063.5	63.5	69.5	61.0	11.5	-	-
P1980.064	64.0	67.2	62.0	10.7	-	-
P1980.066	66.0	71.5	64.0	11.7	-	-
P1980.067	67.0	73.0	65.0	11.5	-	-
P1980.068	68.0	74.2	66.0	11.8	-	-
P1980.069	69.0	75.0	67.0	11.9	-	-
P1980.070	70.0	74.2	68.0	12.1	-	-
P1980.071	71.0	75.0	69.0	12.5	-	-
P1980.072	72.0	79.0	70.0	13.0	-	-
P1980.073	73.0	76.5	71.0	12.0	-	-
P1980.074	74.0	77.0	72.0	11.8	-	-
P1980.076	76.0	78.8	74.0	11.5	-	-
P1980.077	77.0	80.5	75.0	11.0	-	-
P1980.078	78.0	81.7	76.0	11.7	-	-
P1980.079	79.0	82.0	77.0	11.0	-	-
P1980.080	80.0	83.5	78.0	10.7	-	-
P1980.081	81.0	84.0	79.0	10.7	-	-
P1980.082	82.0	85.5	80.0	10.5	-	-
P1980.083	83.0	86.0	81.0	10.7	-	-
P1980.084	84.0	90.0	82.0	12.0	-	-
P1980.084.5	84.5	90.0	82.0	9.2	-	-
P1980.086	86.0	89.0	83.5	11.0	-	-
P1980.086.5	86.5	90.0	84.0	11.0	-	-
P1980.087	87.0	90.0	85.0	10.7	-	-
P1980.088	88.0	91.0	86.0	10.5	-	-
P1980.089	89.0	92.5	87.0	12.0	-	-
P1980.090	90.0	93.5	88.0	11.0	-	-
P1980.091	91.0	94.3	89.0	11.0	-	-
P1980.092	92.0	95.8	90.0	10.8	-	-
P1980.093	93.0	95.6	91.0	10.8	-	-
P1980.094	94.0	97.5	92.0	10.7	-	-
P1980.096	96.0	99.5	94.0	10.8	-	-
P1980.097	97.0	100.1	95.0	10.7	-	-
P1980.098	98.0	101.8	96.0	10.8	-	-
P1980.099	99.0	102.5	97.0	10.7	-	-
P1980.100	100.0	104.5	98.0	11.5	-	-

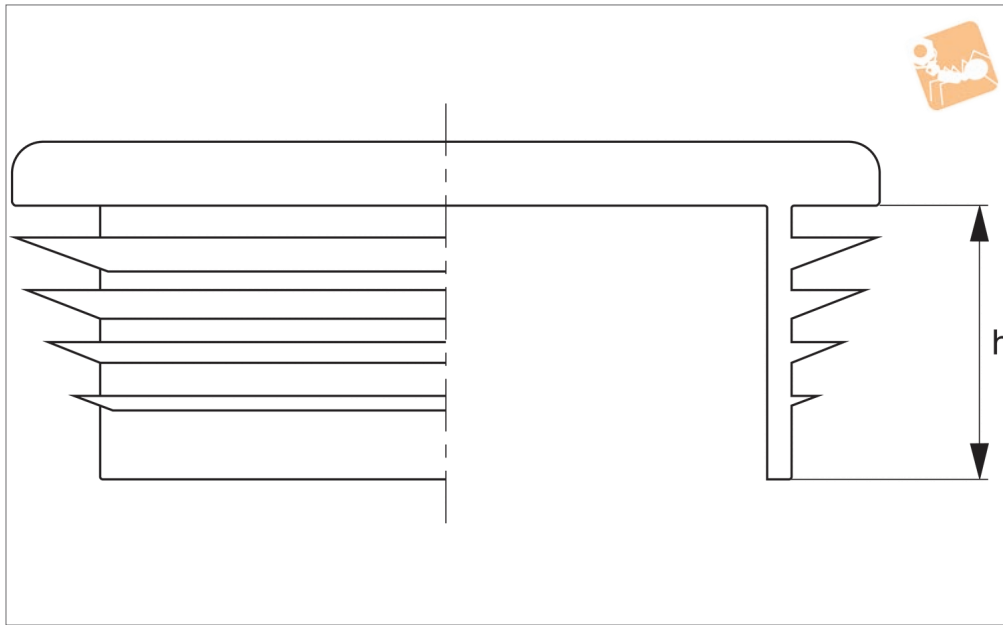


Inserts

ribbed - rectangular



Other Mechanical Parts



P1987

OTHER MECHANICAL PARTS

Material

Low density polyethylene, black.

Important Notes

Sold subject to minimum pack quantity.

Technical Notes

Insert ribs provide secure fitting.

Order No.	External cap dim.	Tube wall thickness	h
P1987.020-10-0	20x10	1,0-2,0	11,0
P1987.020-15-0	20x15	1,0-2,0	11,5
P1987.025-10-0	25x10	1,0-1,5	11,5
P1987.025-15-0	25x15	1,0-2,5	11,5
P1987.025-20-0	25x20	1,0-3,0	11,5
P1987.030-10-0	30x10	1,0-1,5	11,5
P1987.030-15-0	30x15	1,0-2,5	11,5
P1987.030-20-0	30x20	1,5-3,0	11,5
P1987.030-25-0	30x25	1,5	13,0
P1987.035-10-0	35x10	1,0-2,0	11,5
P1987.035-20-1	35x20	1,0-2,5	11,5
P1987.035-25-0	35x25	1,0-3,0	11,5
P1987.040-10-0	40x10	1,5	10,5
P1987.040-15-0	40x15	1,0-1,5	12,0
P1987.040-20-0	40x20	1,0-2,0	12,0
P1987.040-25-0	40x25	1,0-3,0	11,5
P1987.040-30-0	40x30	1,0-3,0	12,0
P1987.040-35-0	40x35	1,0-3,0	12,0
P1987.045-15-0	45x15	1,5-2,0	11,0
P1987.045-20-0	45x20	1,5-2,0	11,5
P1987.045-25-0	45x25	1,5-2,0	14,0
P1987.045-30-0	45x30	1,0-2,5	12,0
P1987.045-35-0	45x35	1,0-3,5	12,0
P1987.050-10-0	50x10	1,0-1,5	12,0
P1987.050-20-0	50x20	1,0-3,0	14,0
P1987.050-25-0	50x25	1,5-2,5	14,5
P1987.050-30-0	50x30	1,5-2,0	13,5
P1987.050-35-0	50x35	1,0-3,5	14,5
P1987.050-40-0	50x40	1,5-2,5	12,5
P1987.055-34-0	55x34	1,5	14,0
P1987.055-40-0	55x40	1,5-4,0	14,5
P1987.060-15-0	60x15	1,0-2,0	14,5
P1987.060-20-0	60x20	1,0-3,0	14,5
P1987.060-25-0	60x25	1,0-2,5	14,0



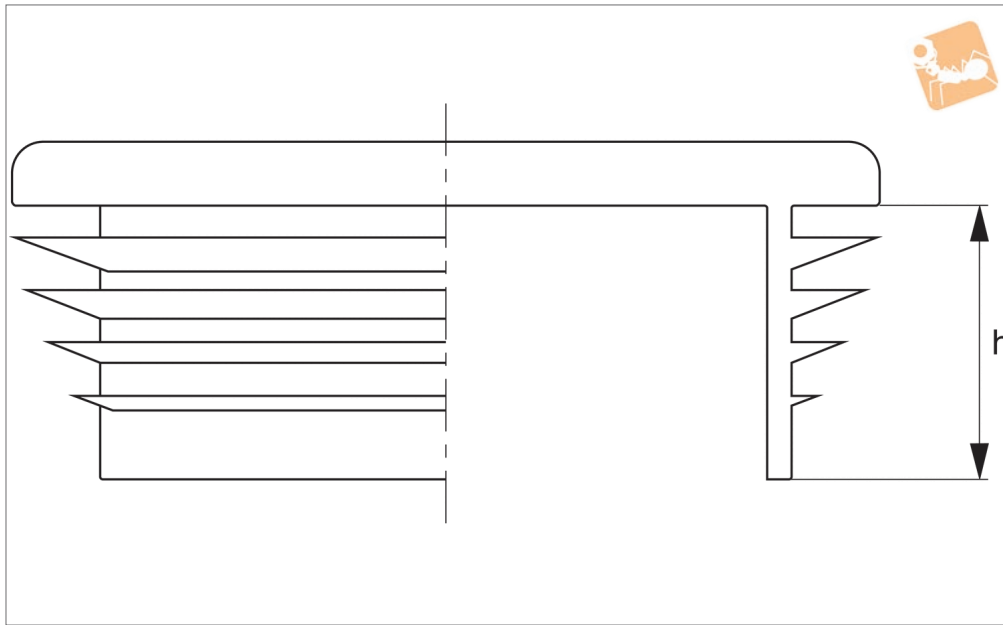
Order No.	External cap dim.	Tube wall thickness	h
P1987.060-30-0	60x30	1,5-2,0	15,0
P1987.060-35-0	60x35	1,5-3,5	15,0
P1987.060-40-0	60x40	1,0-3,0	14,0
P1987.060-50-0	60x50	1,5-3,5	14,5
P1987.070-20-0	70x20	1,0-2,0	17,0
P1987.070-25-0	70x25	1,5-2,0	17,0
P1987.070-30-0	70x30	1,5-2,0	18,0
P1987.070-40-0	70x40	1,5-2,0	18,0
P1987.080-20-0	80x20	1,5-2,0	18,0
P1987.080-30-0	80x30	1,0-2,5	14,5
P1987.080-40-0	80x40	1,0-3,0	14,5
P1987.080-50-0	80x50	2,0-4,0	24,0
P1987.080-60-0	80x60	2,5-3,0	24,0
P1987.100-40-0	100x40	2,0-4,0	14,5
P1987.100-50-0	100x50	2,0-3,0	24,0
P1987.100-50-1	100x50	3,2-5,0	24,0
P1987.120-30-0	120x30	1,5-2,0	14,5
P1987.120-40-0	120x40	2,0	-
P1987.120-60-0	120x60	2,0-4,0	24,5
P1987.120-80-0	120x80	2,0-3,0	24,0
P1987.140-80-0	140x80	2,0-4,5	20,0
P1987.150-100-0	150x100	3,0-8,0	27,0



Insert ribbed - square



Other Mechanical Parts



P1988

OTHER MECHANICAL PARTS

Material

Low density polyethylene, black.

Important Notes

Sold subject to minimum pack quantity.

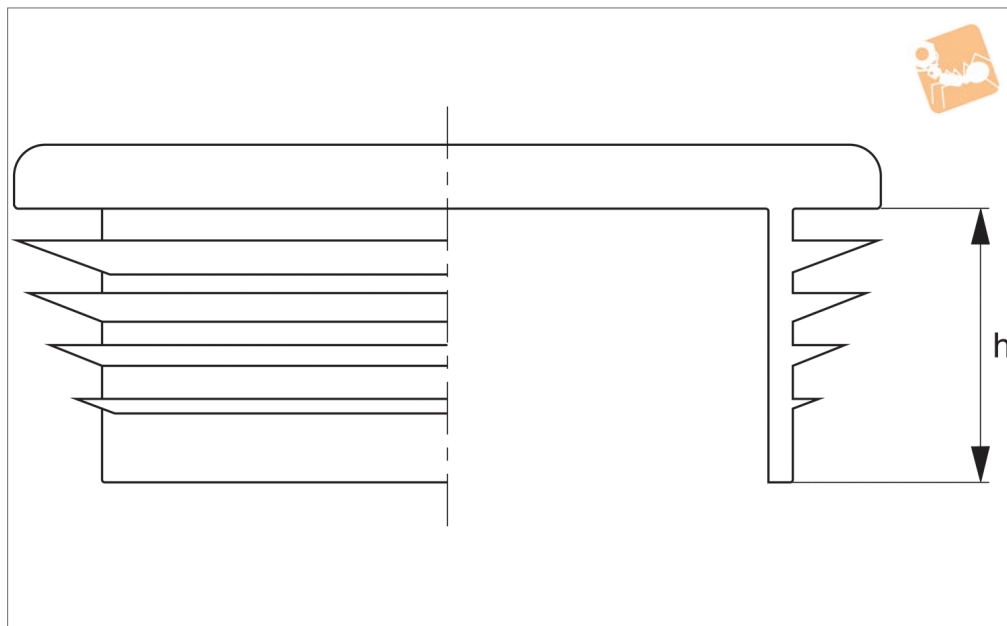
Technical Notes

Insert ribs provide secure fitting.

Order No.	External cap dim.	Tube wall thickness	h
P1988.010-10-0	10x10	1,5-2,0	12.0
P1988.012-12-0	12x12	1,5-2,0	12.0
P1988.013-13-0	13x13	1,5-2,0	12.0
P1988.015-15-0	15x15	1,5-2,0	14.0
P1988.016-16-0	16x16	1,5-2,0	11.5
P1988.018-18-0	18x18	1,5-2,0	11.5
P1988.020-20-0	20x20	1,0-3,0	11.0
P1988.022-22-0	22x22	1,0-3,0	12.0
P1988.025-25-0	25x25	1,0-3,0	11.5
P1988.028-28-0	28x28	1,5-3,0	11.5
P1988.030-30-0	30x30	1,0-2,5	11.5
P1988.030-30-1	30x30	2,5-4,5	11.5
P1988.035-35-0	35x35	1,0-3,0	14.5
P1988.035-35-1	35x35	2,5-5,0	12.0
P1988.040-40-0	40x40	1,0-3,0	14.0
P1988.040-40-1	40x40	2,5-4,0	18.0
P1988.040-40-2	40x40	5,0-5,5	14.0
P1988.045-45-0	45x45	1,0-3,0	14.5
P1988.050-50-1	50x50	2,6-4,0	25.0
P1988.050-50-2	50x50	3,5-6,0	14.5
P1988.060-60-0	60x60	1,5-3,5	24.0
P1988.060-60-1	60x60	3,0-5,0	17.5
P1988.070-70-0	70x70	2,0-4,0	19.0
P1988.080-80-1	80x80	3,0-5,0	24.0
P1988.100-100-0	100x100	1,0-4,0	24.0
P1988.100-100-1	100x100	5,0-8,0	24.0
P1988.120-120-0	120x120	2,5-5,0	25.0
P1988.150-150-0	150x150	5,0-8,0	-
P1988.150-150-1	150x150	10,0-12,5	27.0



P1989



Material

Low density polyethylene, black.

Important Notes

Sold subject to minimum pack quantity.

Technical Notes

insert ribs provide secure fitting.

Order No.	External cap dia.	Tube wall thickness	h
P1989.010	10	1,0-2,0	11,0
P1989.012	12	1,0-2,0	11,0
P1989.013	13	1,0-2,0	11,0
P1989.014	14	1,0-2,0	11,5
P1989.015	15	1,0-2,0	13,0
P1989.016	16	1,0-2,0	11,0
P1989.018	18	1,0-2,0	11,4
P1989.019	19	1,0-2,0	11,4
P1989.020	20	1,0-2,0	11,4
P1989.021	21	1,0-2,0	11,5
P1989.022	22	1,0-2,0	11,5
P1989.023	23	1,0-2,5	11,5
P1989.025	25	1,0-3,0	11,5
P1989.027	27	1,0-3,0	11,5
P1989.028	28	1,0-2,0	11,5
P1989.030	30	1,0-2,0	11,6
P1989.032	32	1,0-2,0	11,5
P1989.034	34	1,0-3,0	11,5
P1989.035	35	1,0-2,0	11,5
P1989.036	36	1,0-2,0	11,5
P1989.038	38	1,0-3,5	11,5
P1989.040	40	1,0-3,0	11,5
P1989.042	42	1,0-2,0	11,5
P1989.045	45	1,0-3,5	11,0
P1989.048	48	1,2-3,6	11,5
P1989.050	50	1,0-2,0	11,5
P1989.052	52	1,5-3,5	14,5
P1989.055	55	1,0-3,0	11,5
P1989.060	60	1,5-3,0	18,5
P1989.065	65	1,5-3,5	21,0
P1989.070	70	2,0-4,5	21,0
P1989.076	76	1,6-4,0	21,5
P1989.080	80	1,5-3,0	21,0
P1989.090	90	2,5-5,0	19,9



Inserts

ribbed - round

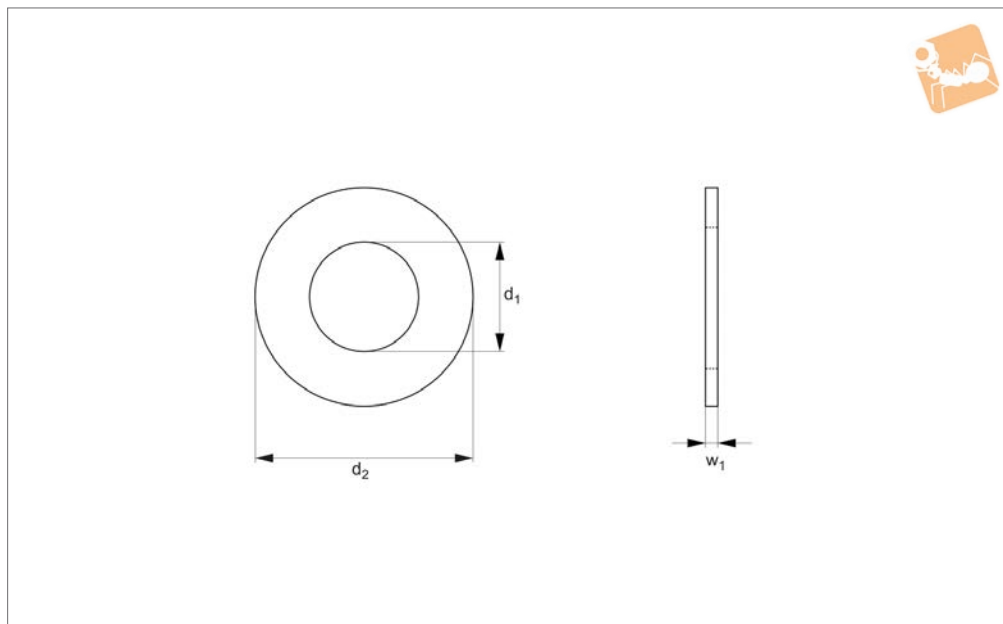


Other Mechanical Parts

Order No.	External cap dia.	Tube wall thickness	h
P1989.095	95	1,5-4,0	21.0
P1989.102	102	2,0-4,0	20.2
P1989.100	100	2,0-4,5	28.5
P1989.105	105	2,0-4,5	29.0
P1989.110	110	2,0-4,5	28.5
P1989.120	120	2,0-4,0	28.5



P1260



Material Carbon steel, stainless steel (AISI 410, DIN 1.4006), nylon, teflon or bronze (oil impregnated).

Order No.	d_1 +0.03 -0.00	d_2 +0.00 -0.31	w_1 ± 0.05	Shaft size	Material
P1260.08	8.00	16.00	1.30	8	Steel
P1260.10	10.00	21.00	1.60	10	Steel
P1260.12	12.00	24.00	1.60	12	Steel
P1260.16	16.00	28.00	2.40	16	Steel
P1260.19	19.00	32.00	2.40	19	Steel
P1260.25	25.00	41.00	3.18	25	Steel
P1260.07-SS	7.00	17.00	1.30	7	Stainless
P1260.08-SS	8.00	16.00	1.30	8	Stainless
P1260.10-SS	10.00	21.00	1.60	10	Stainless
P1260.12-SS	12.00	24.00	1.60	12	Stainless
P1260.05	5.00	12.00	1.30	5	Steel
P1260.06	6.00	14.00	1.30	6	Steel
P1260.07	7.00	17.00	1.30	7	Steel
P1260.06-SS	6.00	14.00	1.30	6	Stainless
P1260.05-SS	5.00	12.00	1.30	5	Stainless
P1260.16-SS	16.00	28.00	2.40	16	Stainless
P1260.19-SS	19.00	32.00	2.40	19	Stainless
P1260.25-SS	25.00	41.00	3.18	25	Stainless
P1260.03-NY	3.00	9.00	2.50	3	Nylon
P1261.04-NY	4.00	12.00	2.50	4	Nylon
P1261.05-NY	5.00	13.00	2.50	5	Nylon
P1261.06-NY	6.00	15.00	2.50	6	Nylon
P1261.08-NY	8.00	19.00	2.50	8	Nylon
P1261.10-NY	10.00	24.00	2.50	10	Nylon
P1261.12-NY	12.00	30.00	2.50	12	Nylon
P1261.20-NY	20.00	40.00	2.50	20	Nylon
P1261.25-NY	25.00	40.00	2.50	25	Nylon
P1261.05-TF	5.00	9.00	2.50	3	Teflon
P1261.06-TF	6.00	12.00	2.50	4	Teflon
P1261.07-TF	7.00	13.00	2.50	5	Teflon
P1261.08-TF	8.00	15.00	2.50	6	Teflon
P1261.10-TF	10.00	19.00	2.50	8	Teflon
P1261.12-TF	12.00	24.00	2.50	10	Teflon
P1261.16-TF	16.00	30.00	2.50	12	Teflon



Thrust Washers

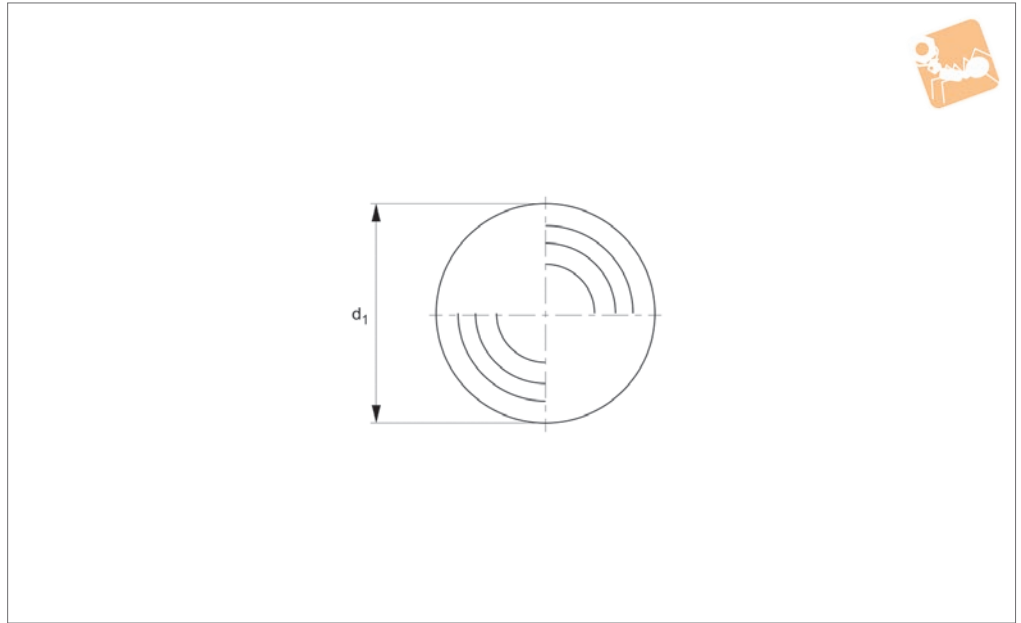


Other Mechanical Parts

Order No.	d_1 +0.03 -0.00	d_2 +0.00 -0.31	w_1 ± 0.05	Shaft size	Material
P1261.19-TF	19.00	40.00	2.50	20	Teflon
P1261.25-TF	25.00	40.00	2.50	25	Teflon
P1262.03-BR	3.1	8.9	1.5	3	Bronze
P1262.04-BR	4.1	11.9	1.5	4	Bronze
P1262.06-BR	6.1	14.9	1.5	6	Bronze
P1262.08-BR	8.1	18.9	2.2	8	Bronze
P1262.10-BR	10.1	23.9	3.0	10	Bronze
P1262.11-BR	11.1	28.9	4.7	11	Bronze



P1350



OTHER MECHANICAL PARTS

Material

Stainless steel (AISI 440B, DIN 1.4112),
hardness C55-60.
Chrome steel (DIN 1.3505, AISI 52100,

100Cr6), hardness C32-60.

Diameter tolerance Grade 10, $\pm 6\mu$.
Diameter tolerance Grade 25, $\pm 12\mu$.

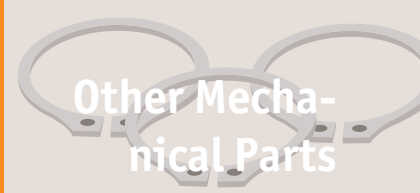
Technical Notes

Other tolerances and material on request.

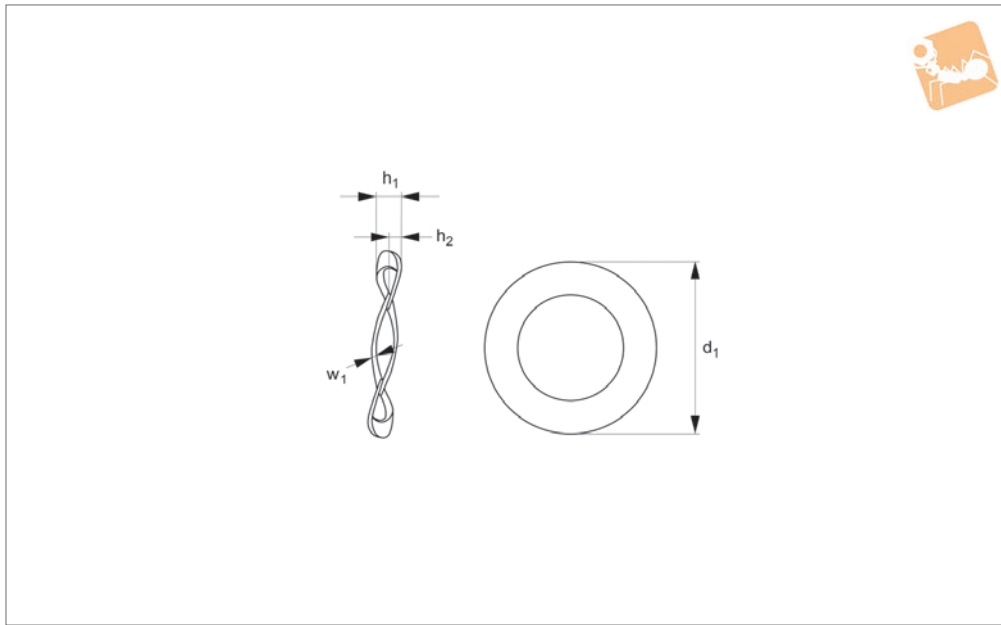
Order No.	Material	d_1
P1350.002-SS	Stainless Steel	$2 \pm 0,012$
P1350.003-SS	Stainless Steel	$3 \pm 0,012$
P1350.004-SS	Stainless Steel	$4 \pm 0,012$
P1350.005-SS	Stainless Steel	$5 \pm 0,012$
P1350.006-SS	Stainless Steel	$6 \pm 0,012$
P1350.007-SS	Stainless Steel	$7 \pm 0,012$
P1350.008-SS	Stainless Steel	$8 \pm 0,012$
P1350.009-SS	Stainless Steel	$9 \pm 0,012$
P1350.010-SS	Stainless Steel	$10 \pm 0,012$
P1350.011-SS	Stainless Steel	$11 \pm 0,012$
P1350.002-CS	Chrome Steel	$2 \pm 0,006$
P1350.003-CS	Chrome Steel	$3 \pm 0,006$
P1350.004-CS	Chrome Steel	$4 \pm 0,006$
P1350.005-CS	Chrome Steel	$5 \pm 0,006$
P1350.006-CS	Chrome Steel	$6 \pm 0,006$
P1350.007-CS	Chrome Steel	$7 \pm 0,006$
P1350.008-CS	Chrome Steel	$8 \pm 0,006$
P1350.009-CS	Chrome Steel	$9 \pm 0,006$
P1350.010-CS	Chrome Steel	$10 \pm 0,006$
P1350.011-CS	Chrome Steel	$11 \pm 0,006$



Bearing Preload Springs for outer race preload



Other Mechanical Parts



P1300

OTHER MECHANICAL PARTS

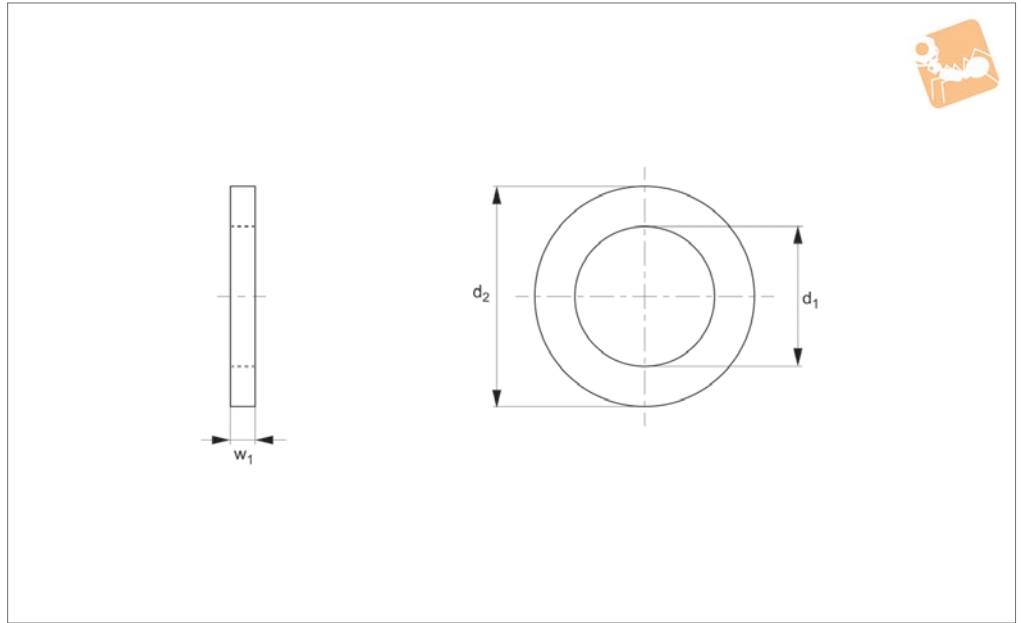
Material

Stainless steel (DIN 1,43).

Order No.	Bearing O.D. (ref)	a	b	c	Force to deflect to B	Radial wall
P1300.016	16	2.3	1.6	0.25	45N	1.98
P1300.019	19	3.0	1.6	0.25	50N	1.98
P1300.022	22	2.8	1.6	0.30	60N	2.39
P1300.024	24	3.6	1.6	0.30	70N	2.39



P1320



Material

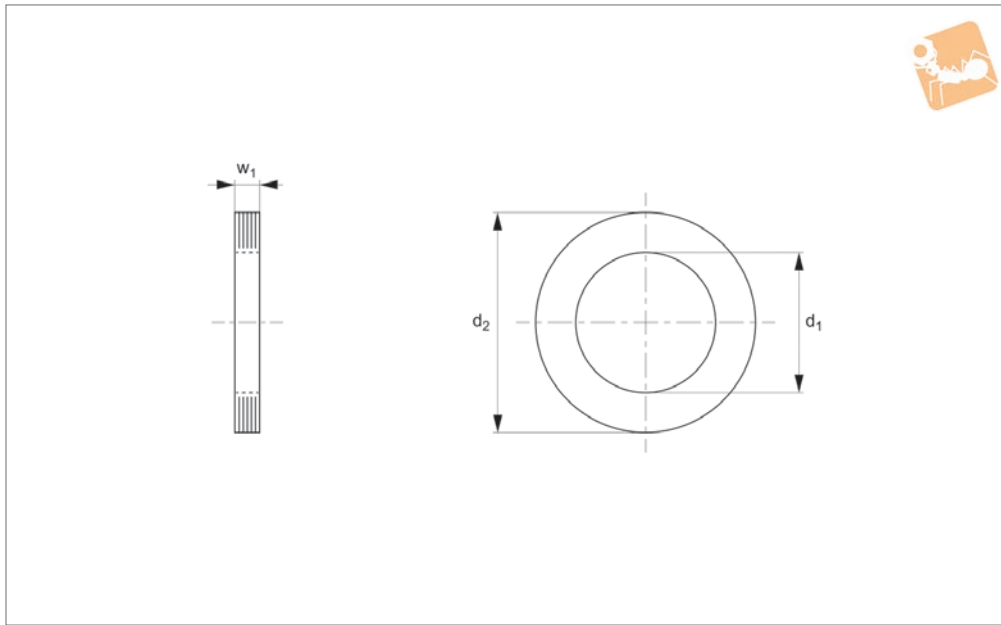
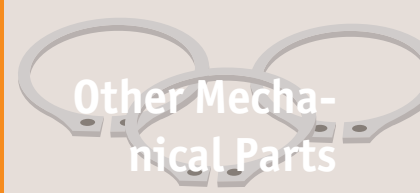
Stainless steel (DIN 1.4310).

Order No.	Shaft or bearing i/d	d_1 +0.13 -0.00	d_2 ±0.13	w_1 ±0.025
P1320.030-010	3.0	3.05	3.73	0.10
P1320.030-015	3.0	3.05	3.73	0.15
P1320.040-010	4.0	4.05	5.30	0.10
P1320.040-015	4.0	4.05	5.30	0.15
P1320.040-025	4.0	4.05	5.30	0.25
P1320.040-040	4.0	4.05	5.30	0.40
P1320.050-010	5.0	5.05	5.93	0.10
P1320.050-015	5.0	5.05	5.93	0.15
P1320.050-025	5.0	5.05	5.93	0.25
P1320.050-040	5.0	5.05	5.93	0.40
P1320.060-010	6.0	6.05	7.90	0.10
P1320.060-015	6.0	6.05	7.90	0.15
P1320.060-025	6.0	6.05	7.90	0.25
P1320.060-040	6.0	6.05	7.90	0.40
P1320.080-010	8.0	8.05	10.20	0.10
P1320.080-015	8.0	8.05	10.20	0.15
P1320.080-025	8.0	8.05	10.20	0.25
P1320.080-040	8.0	8.05	10.20	0.40
P1320.100-010	10.0	10.05	12.30	0.10
P1320.100-015	10.0	10.05	12.30	0.15
P1320.100-025	10.0	10.05	12.30	0.25



Outer Race Bearing Spacers

stainless



P1322

OTHER MECHANICAL PARTS

Material

Stainless steel (DIN 1.4300).

Order No.	d_1 +0.00 -0.13	d_2 +0.13 -0.00	w_1 ± 0.025
P1322.070-15	7.0	6.25	0.15
P1322.070-25	7.0	6.25	0.25
P1322.080-15	8.0	6.75	0.15
P1322.080-25	8.0	6.75	0.25
P1322.090-15	9.0	7.85	0.15
P1322.090-25	9.0	7.85	0.25
P1322.090-40	9.0	7.85	0.40
P1322.100-15	10.0	8.25	0.15
P1322.100-25	10.0	8.25	0.25
P1322.110-15	11.0	10.00	0.15
P1322.110-25	11.0	10.00	0.25
P1322.130-15	13.0	11.15	0.15
P1322.130-25	13.0	11.15	0.25
P1322.130-40	13.0	11.15	0.40
P1322.150-15	15.0	13.00	0.15
P1322.150-25	15.0	13.00	0.25
P1322.160-15	16.0	13.85	0.15
P1322.160-25	16.0	13.85	0.25
P1322.160-40	16.0	13.85	0.40
P1322.190-15	19.0	16.65	0.15
P1322.190-25	19.0	16.65	0.25
P1322.190-40	19.0	16.65	0.40