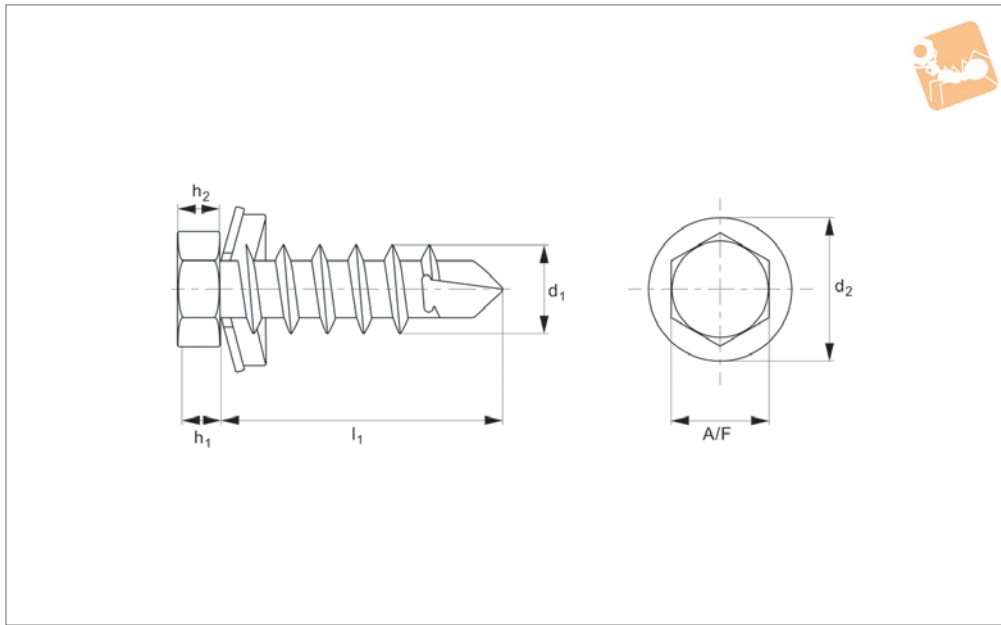




Hex Seal Washer Head Self-Drilling

Seal - steel, zinc-plated

Self Drilling



P0646.ZP

SELF DRILLING

Material

Steel, zinc-plated.

Technical Notes

To DIN 7504-K, with 16mm sealing washer.

Order No.	d ₁	l ₁	d ₂	h ₁	s ₁
P0646.055-019-ZP	5.5	19	11.0	5.4	SW8
P0646.055-022-ZP	5.5	22	11.0	5.4	SW8
P0646.055-025-ZP	5.5	25	11.0	5.4	SW8
P0646.055-032-ZP	5.5	32	11.0	5.4	SW8
P0646.055-035-ZP	5.5	35	11.0	5.4	SW8
P0646.055-038-ZP	5.5	38	11.0	5.4	SW8
P0646.055-045-ZP	5.5	45	11.0	5.4	SW8
P0646.055-050-ZP	5.5	50	11.0	5.4	SW8
P0646.055-060-ZP	5.5	60	11.0	5.4	SW8
P0646.055-070-ZP	5.5	70	11.0	5.4	SW8