

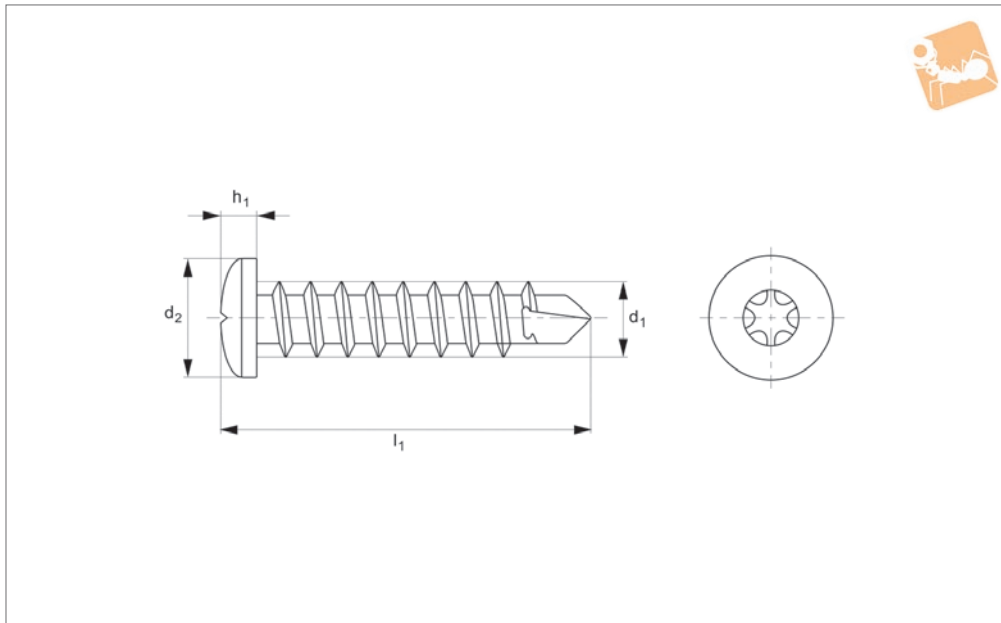


Pan Head TX Self-Drilling

TX - steel, zinc-plated



Self Drilling



P0644.ZP

SELF DRILLING

Material

Steel, zinc plated.

Technical Notes

To DIN 7504-TX. Self-drilling thread.

| Order No. | d ₁ | l ₁ | d ₂ | h ₁ | Size |
|------------------|----------------|----------------|----------------|----------------|-------|
| P0644.035-009-ZP | 3.5 | 9.5 | 6.9 | 2.6 | TX-10 |
| P0644.035-013-ZP | 3.5 | 13 | 6.9 | 2.6 | TX-10 |
| P0644.035-016-ZP | 3.5 | 16 | 6.9 | 2.6 | TX-10 |
| P0644.035-019-ZP | 3.5 | 19 | 6.9 | 2.6 | TX-10 |
| P0644.035-022-ZP | 3.5 | 22 | 6.9 | 2.6 | TX-10 |
| P0644.035-025-ZP | 3.5 | 25 | 6.9 | 2.6 | TX-10 |
| P0644.039-013-ZP | 3.9 | 13 | 7.5 | 2.8 | TX-20 |
| P0644.039-016-ZP | 3.9 | 16 | 7.5 | 2.8 | TX-20 |
| P0644.039-019-ZP | 3.9 | 19 | 7.5 | 2.8 | TX-20 |
| P0644.039-022-ZP | 3.9 | 22 | 7.5 | 2.8 | TX-20 |
| P0644.039-025-ZP | 3.9 | 25 | 7.5 | 2.8 | TX-20 |
| P0644.039-032-ZP | 3.9 | 32 | 7.5 | 2.8 | TX-20 |
| P0644.039-038-ZP | 3.9 | 38 | 7.5 | 2.8 | TX-20 |
| P0644.042-013-ZP | 4.2 | 13 | 8.2 | 3.05 | TX-20 |
| P0644.042-016-ZP | 4.2 | 16 | 8.2 | 3.05 | TX-20 |
| P0644.042-019-ZP | 4.2 | 19 | 8.2 | 3.05 | TX-20 |
| P0644.042-022-ZP | 4.2 | 22 | 8.2 | 3.05 | TX-20 |
| P0644.042-025-ZP | 4.2 | 25 | 8.2 | 3.05 | TX-20 |
| P0644.042-032-ZP | 4.2 | 32 | 8.2 | 3.05 | TX-20 |
| P0644.042-038-ZP | 4.2 | 38 | 8.2 | 3.05 | TX-20 |
| P0644.048-013-ZP | 4.8 | 13 | 9.8 | 3.55 | TX-25 |
| P0644.048-016-ZP | 4.8 | 16 | 9.8 | 3.55 | TX-25 |
| P0644.048-019-ZP | 4.8 | 19 | 9.8 | 3.55 | TX-25 |
| P0644.048-022-ZP | 4.8 | 22 | 9.8 | 3.55 | TX-25 |
| P0644.048-025-ZP | 4.8 | 25 | 9.8 | 3.55 | TX-25 |
| P0644.048-032-ZP | 4.8 | 32 | 9.8 | 3.55 | TX-25 |
| P0644.048-038-ZP | 4.8 | 38 | 9.8 | 3.55 | TX-25 |
| P0644.048-045-ZP | 4.8 | 45 | 9.8 | 3.55 | TX-25 |
| P0644.048-050-ZP | 4.8 | 50 | 9.8 | 3.55 | TX-25 |
| P0644.048-060-ZP | 4.8 | 60 | 9.8 | 3.55 | TX-25 |