

## P1204

DOWEL PINS

### Material

Through hardened and ground steel (100Cr6).

Hardened and tempered to HV 550-650,

HRC 60 ±2.

### Technical Notes

To DIN 6325 , ISO 8734.

Ground to m6 tolerance on diameter (interference fit).

Order No.	d <sub>1</sub> m6	l <sub>1</sub> tol. js14	l <sub>2</sub>	l <sub>3</sub>	Double shear kN
P1204.010-004	1	4	0.12	0.5	1.5
P1204.010-005	1	5	0.12	0.5	1.5
P1204.010-006	1	6	0.12	0.5	1.5
P1204.010-008	1	8	0.12	0.5	1.5
P1204.010-010	1	10	0.12	0.5	1.5
P1204.015-004	1.5	4	0.20	0.6	3.4
P1204.015-005	1.5	5	0.20	0.6	3.4
P1204.015-006	1.5	6	0.20	0.6	3.4
P1204.010-012	1	12	0.12	0.5	1.5
P1204.015-008	1.5	8	0.20	0.6	3.4
P1204.015-010	1.5	10	0.20	0.6	3.4
P1204.015-012	1.5	12	0.20	0.6	3.4
P1204.015-014	1.5	14	0.20	0.6	3.4
P1204.015-016	1.5	16	0.20	0.6	3.4
P1204.020-004	2	4	0.25	0.8	5.5
P1204.020-005	2	5	0.25	0.8	5.5
P1204.020-006	2	6	0.25	0.8	5.5
P1204.020-008	2	8	0.25	0.8	5.5
P1204.020-010	2	10	0.25	0.8	5.5
P1204.020-012	2	12	0.25	0.8	5.5
P1204.020-014	2	14	0.25	0.8	5.5
P1204.020-016	2	16	0.25	0.8	5.5
P1204.020-018	2	18	0.25	0.8	5.5
P1204.020-020	2	20	0.25	0.8	5.5
P1204.020-024	2	24	0.25	0.8	5.5
P1204.025-005	2.5	5	0.3	1	8.0
P1204.025-006	2.5	6	0.3	1	8.0
P1204.025-008	2.5	8	0.3	1	8.0
P1204.025-010	2.5	10	0.3	1	8.0
P1204.025-012	2.5	12	0.3	1	8.0
P1204.025-014	2.5	14	0.3	1	8.0
P1204.025-016	2.5	16	0.3	1	8.0
P1204.025-018	2.5	18	0.3	1	8.0
P1204.025-020	2.5	20	0.3	1	8.0



DOWEL PINS

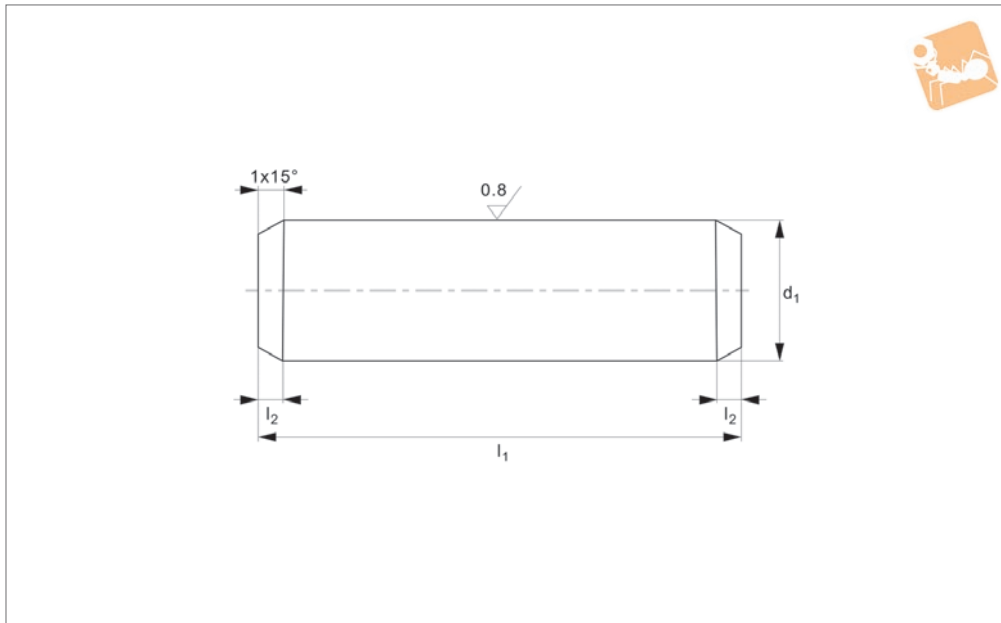
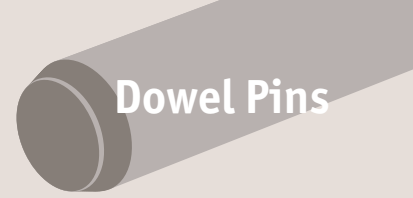
Order No.	d <sub>1</sub> m6	l <sub>1</sub> tol. js14	l <sub>2</sub>	l <sub>3</sub>	Double shear kN
P1204.025-024	2.5	24	0.3	1	8.0
P1204.030-005	3	5	0.4	1.2	13.0
P1204.030-006	3	6	0.4	1.2	13.0
P1204.030-008	3	8	0.4	1.2	13.0
P1204.030-010	3	10	0.4	1.2	13.0
P1204.030-012	3	12	0.4	1.2	13.0
P1204.030-014	3	14	0.4	1.2	13.0
P1204.030-016	3	16	0.4	1.2	13.0
P1204.030-018	3	18	0.4	1.2	13.0
P1204.030-020	3	20	0.4	1.2	13.0
P1204.030-024	3	24	0.4	1.2	13.0
P1204.030-028	3	28	0.4	1.2	13.0
P1204.030-030	3	30	0.4	1.2	13.0
P1204.060-045	6	45	0.8	2.1	53.0
P1204.060-050	6	50	0.8	2.1	53.0
P1204.060-055	6	55	0.8	2.1	53.0
P1204.060-060	6	60	0.8	2.1	53.0
P1204.080-010	8	10	1	2.6	88.0
P1204.080-012	8	12	1	2.6	88.0
P1204.080-014	8	14	1	2.6	88.0
P1204.080-016	8	16	1	2.6	88.0
P1204.080-018	8	18	1	2.6	88.0
P1204.080-020	8	20	1	2.6	88.0
P1204.080-024	8	24	1	2.6	88.0
P1204.080-028	8	28	1	2.6	88.0
P1204.080-030	8	30	1	2.6	88.0
P1204.080-032	8	32	1	2.6	88.0
P1204.080-036	8	36	1	2.6	88.0
P1204.080-040	8	40	1	2.6	88.0
P1204.080-045	8	45	1	2.6	88.0
P1204.080-050	8	50	1	2.6	88.0
P1204.080-055	8	55	1	2.6	88.0
P1204.080-060	8	60	1	2.6	88.0
P1204.080-070	8	70	1	2.6	88.0
P1204.080-080	8	80	1	2.6	88.0
P1204.100-016	10	16	1.2	3	132.0
P1204.100-018	10	18	1.2	3	132.0
P1204.100-020	10	20	1.2	3	132.0
P1204.100-024	10	24	1.2	3	132.0
P1204.100-028	10	28	1.2	3	132.0
P1204.100-030	10	30	1.2	3	132.0
P1204.100-032	10	32	1.2	3	132.0
P1204.100-036	10	36	1.2	3	132.0
P1204.100-040	10	40	1.2	3	132.0
P1204.100-045	10	45	1.2	3	132.0
P1204.100-050	10	50	1.2	3	132.0
P1204.100-055	10	55	1.2	3	132.0
P1204.100-060	10	60	1.2	3	132.0
P1204.100-070	10	70	1.2	3	132.0
P1204.100-080	10	80	1.2	3	132.0
P1204.100-090	10	90	1.2	3	132.0
P1204.100-100	10	100	1.2	3	132.0
P1204.100-110	10	110	1.2	3	132.0
P1204.100-120	10	120	1.2	3	132.0
P1204.120-018	12	18	1.6	3.8	210.0
P1204.120-020	12	20	1.6	3.8	210.0
P1204.120-024	12	24	1.6	3.8	210.0
P1204.120-028	12	28	1.6	3.8	210.0
P1204.120-030	12	30	1.6	3.8	210.0
P1204.120-032	12	32	1.6	3.8	210.0
P1204.120-036	12	36	1.6	3.8	210.0
P1204.120-040	12	40	1.6	3.8	210.0
P1204.120-045	12	45	1.6	3.8	210.0
P1204.120-050	12	50	1.6	3.8	210.0
P1204.120-055	12	55	1.6	3.8	210.0
P1204.120-060	12	60	1.6	3.8	210.0
P1204.120-070	12	70	1.6	3.8	210.0
P1204.120-080	12	80	1.6	3.8	210.0

Order No.	d <sub>1</sub> m6	l <sub>1</sub> tol. js14	l <sub>2</sub>	l <sub>3</sub>	Double shear kN
P1204.120-090	12	90	1.6	3.8	210.0
P1204.120-100	12	100	1.6	3.8	210.0
P1204.120-110	12	110	1.6	3.8	210.0
P1204.120-120	12	120	1.6	3.8	210.0
P1204.140-028	14	28	1.8	4.2	260.0
P1204.140-030	14	30	1.8	4.2	260.0
P1204.140-032	14	32	1.8	4.2	260.0
P1204.140-036	14	36	1.8	4.2	260.0
P1204.140-040	14	40	1.8	4.2	260.0
P1204.140-045	14	45	1.8	4.2	260.0
P1204.140-050	14	50	1.8	4.2	260.0
P1204.140-055	14	55	1.8	4.2	260.0
P1204.140-060	14	60	1.8	4.2	260.0
P1204.140-070	14	70	1.8	4.2	260.0
P1204.140-080	14	80	1.8	4.2	260.0
P1204.140-090	14	90	1.8	4.2	260.0
P1204.140-100	14	100	1.8	4.2	260.0
P1204.140-110	14	110	1.8	4.2	260.0
P1204.140-120	14	120	1.8	4.2	260.0
P1204.160-028	16	28	2	4.6	350.0
P1204.160-030	16	30	2	4.6	350.0
P1204.160-032	16	32	2	4.6	350.0
P1204.160-036	16	36	2	4.6	350.0
P1204.160-040	16	40	2	4.6	350.0
P1204.160-045	16	45	2	4.6	350.0
P1204.160-050	16	50	2	4.6	350.0
P1204.160-055	16	55	2	4.6	350.0
P1204.160-060	16	60	2	4.6	350.0
P1204.160-070	16	70	2	4.6	350.0
P1204.160-080	16	80	2	4.6	350.0
P1204.160-090	16	90	2	4.6	350.0
P1204.160-100	16	100	2	4.6	350.0
P1204.160-110	16	110	2	4.6	350.0
P1204.160-120	16	120	2	4.6	350.0
P1204.200-032	20	32	2.5	6	485.0
P1204.200-036	20	36	2.5	6	485.0
P1204.200-040	20	40	2.5	6	485.0
P1204.200-045	20	45	2.5	6	485.0
P1204.200-050	20	50	2.5	6	485.0
P1204.200-055	20	55	2.5	6	485.0
P1204.200-060	20	60	2.5	6	485.0
P1204.200-070	20	70	2.5	6	485.0
P1204.200-080	20	80	2.5	6	485.0
P1204.200-090	20	90	2.5	6	485.0
P1204.200-100	20	100	2.5	6	485.0
P1204.200-110	20	110	2.5	6	485.0
P1204.200-120	20	120	2.5	6	485.0
P1204.060-018	6	18	0.8	2.1	53.0
P1204.060-010	6	10	0.8	2.1	53.0
P1204.040-040	4	40	0.5	1.4	22.0
P1204.050-036	5	36	0.63	1.7	31.0
P1204.050-055	5	55	0.63	1.7	31.0
P1204.050-006	5	6	0.63	1.7	31.0
P1204.040-008	4	8	0.5	1.4	22.0
P1204.040-016	4	16	0.5	1.4	22.0
P1204.050-014	5	14	0.63	1.7	31.0
P1204.060-030	6	30	0.8	2.1	53.0
P1204.050-024	5	24	0.63	1.7	31.0
P1204.040-028	4	28	0.5	1.4	22.0
P1204.060-032	6	32	0.8	2.1	53.0
P1204.060-020	6	20	0.8	2.1	53.0
P1204.060-012	6	12	0.8	2.1	53.0
P1204.050-060	5	60	0.63	1.7	31.0
P1204.050-040	5	40	0.63	1.7	31.0
P1204.050-028	5	28	0.63	1.7	31.0
P1204.040-030	4	30	0.5	1.4	22.0
P1204.040-010	4	10	0.5	1.4	22.0
P1204.050-008	5	8	0.63	1.7	31.0



DOWEL PINS

Order No.	d <sub>1</sub> m6	l <sub>1</sub> tol. js14	l <sub>2</sub>	l <sub>3</sub>	Double shear kN
P1204.040-018	4	18	0.5	1.4	22.0
P1204.040-045	4	45	0.5	1.4	22.0
P1204.050-016	5	16	0.63	1.7	31.0
P1204.060-024	6	24	0.8	2.1	53.0
P1204.060-036	6	36	0.8	2.1	53.0
P1204.040-032	4	32	0.5	1.4	22.0
P1204.060-014	6	14	0.8	2.1	53.0
P1204.040-020	4	20	0.5	1.4	22.0
P1204.050-018	5	18	0.63	1.7	31.0
P1204.050-010	5	10	0.63	1.7	31.0
P1204.050-030	5	30	0.63	1.7	31.0
P1204.040-012	4	12	0.5	1.4	22.0
P1204.050-045	5	45	0.63	1.7	31.0
P1204.040-050	4	50	0.5	1.4	22.0
P1204.060-040	6	40	0.8	2.1	53.0
P1204.040-014	4	14	0.5	1.4	22.0
P1204.040-006	4	6	0.5	1.4	22.0
P1204.060-028	6	28	0.8	2.1	53.0
P1204.040-024	4	24	0.5	1.4	22.0
P1204.060-016	6	16	0.8	2.1	53.0
P1204.040-036	4	36	0.5	1.4	22.0
P1204.060-008	6	8	0.8	2.1	53.0
P1204.050-050	5	50	0.63	1.7	31.0
P1204.050-032	5	32	0.63	1.7	31.0
P1204.050-012	5	12	0.63	1.7	31.0
P1204.050-020	5	20	0.63	1.7	31.0



### P1206

DOWEL PINS

#### Material

Stainless steel (A2, AISI 303), chamfered end.

3-10mm long -  $\pm 0,25$   
12-50mm long -  $\pm 0,5$   
over 50mm long -  $\pm 0,75$ .

(P1207).

It is less resistant to corrosion, but less expensive than the A4 dowel pins.

#### Technical Notes

To ISO 2338A (1997). Ground to m6 on  $\emptyset$ .  
 $l_1$  tolerances:

#### Tips

A2 stainless steel grade is a harder material than the A4 stainless steel dowel pins

Order No.	$d_1$ tol. m6	$l_1$	$l_2$	Double shear kN
P1206.010-003	1	3	0.2	0.7
P1206.010-004	1	4	0.2	0.7
P1206.010-005	1	5	0.2	0.7
P1206.010-006	1	6	0.2	0.7
P1206.010-008	1	8	0.2	0.7
P1206.010-010	1	10	0.2	0.7
P1206.010-012	1	12	0.2	0.7
P1206.015-003	1.5	3	0.3	1.7
P1206.015-004	1.5	4	0.3	1.7
P1206.015-005	1.5	5	0.3	1.7
P1206.015-006	1.5	6	0.3	1.7
P1206.015-008	1.5	8	0.3	1.7
P1206.015-010	1.5	10	0.3	1.7
P1206.015-012	1.5	12	0.3	1.7
P1206.015-014	1.5	14	0.3	1.7
P1206.015-016	1.5	16	0.3	1.7
P1206.015-018	1.5	18	0.3	1.7
P1206.015-020	1.5	20	0.3	1.7
P1206.015-024	1.5	24	0.3	1.7
P1206.020-004	2	4	0.35	2.9
P1206.020-005	2	5	0.35	2.9
P1206.020-006	2	6	0.35	2.9
P1206.020-008	2	8	0.35	2.9
P1206.020-010	2	10	0.35	2.9
P1206.020-012	2	12	0.35	2.9
P1206.020-014	2	14	0.35	2.9
P1206.020-016	2	16	0.35	2.9
P1206.020-018	2	18	0.35	2.9
P1206.020-020	2	20	0.35	2.9
P1206.020-024	2	24	0.35	2.9
P1206.025-004	2.5	4	0.4	4.4

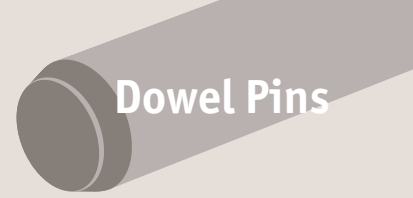


DOWEL PINS

Order No.	d <sub>1</sub> tol. m6	l <sub>1</sub>	l <sub>2</sub>	Double shear kN
P1206.025-005	2.5	5	0.4	4.4
P1206.025-006	2.5	6	0.4	4.4
P1206.025-008	2.5	8	0.4	4.4
P1206.025-010	2.5	10	0.4	4.4
P1206.025-012	2.5	12	0.4	4.4
P1206.025-014	2.5	14	0.4	4.4
P1206.025-016	2.5	16	0.4	4.4
P1206.025-018	2.5	18	0.4	4.4
P1206.025-020	2.5	20	0.4	4.4
P1206.025-024	2.5	24	0.4	4.4
P1206.025-028	2.5	28	0.4	4.4
P1206.025-030	2.5	30	0.4	4.4
P1206.030-005	3	5	0.5	6.6
P1206.030-006	3	6	0.5	6.6
P1206.030-008	3	8	0.5	6.6
P1206.030-010	3	10	0.5	6.6
P1206.030-012	3	12	0.5	6.6
P1206.030-014	3	14	0.5	6.6
P1206.030-016	3	16	0.5	6.6
P1206.030-018	3	18	0.5	6.6
P1206.030-020	3	20	0.5	6.6
P1206.030-024	3	24	0.5	6.6
P1206.030-028	3	28	0.5	6.6
P1206.030-030	3	30	0.5	6.6
P1206.030-032	3	32	0.5	6.6
P1206.030-036	3	36	0.5	6.6
P1206.030-040	3	40	0.5	6.6
P1206.030-045	3	45	0.5	6.6
P1206.030-050	3	50	0.5	6.6
P1206.040-005	4	5	0.63	11.7
P1206.040-006	4	6	0.63	11.7
P1206.040-008	4	8	0.63	11.7
P1206.040-010	4	10	0.63	11.7
P1206.040-012	4	12	0.63	11.7
P1206.040-014	4	14	0.63	11.7
P1206.040-016	4	16	0.63	11.7
P1206.040-018	4	18	0.63	11.7
P1206.040-020	4	20	0.63	11.7
P1206.040-024	4	24	0.63	11.7
P1206.040-028	4	28	0.63	11.7
P1206.040-030	4	30	0.63	11.7
P1206.040-032	4	32	0.63	11.7
P1206.040-036	4	36	0.63	11.7
P1206.040-040	4	40	0.63	11.7
P1206.040-045	4	45	0.63	11.7
P1206.040-050	4	50	0.63	11.7
P1206.040-055	4	55	0.63	11.7
P1206.040-060	4	60	0.63	11.7
P1206.050-008	5	8	0.8	18.1
P1206.050-010	5	10	0.8	18.1
P1206.050-012	5	12	0.8	18.1
P1206.050-014	5	14	0.8	18.1
P1206.050-016	5	16	0.8	18.1
P1206.050-018	5	18	0.8	18.1
P1206.050-020	5	20	0.8	18.1
P1206.050-024	5	24	0.8	18.1
P1206.050-028	5	28	0.8	18.1
P1206.050-030	5	30	0.8	18.1
P1206.050-032	5	32	0.8	18.1
P1206.050-036	5	36	0.8	18.1
P1206.050-040	5	40	0.8	18.1
P1206.050-045	5	45	0.8	18.1
P1206.050-050	5	50	0.8	18.1
P1206.050-055	5	55	0.8	18.1
P1206.050-060	5	60	0.8	18.1
P1206.060-010	6	10	1.2	26.0
P1206.060-012	6	12	1.2	26.0
P1206.060-014	6	14	1.2	26.0



# Stainless Dowel Pins A2 stainless



## Dowel Pins

Order No.	d <sub>1</sub> tol. m6	l <sub>1</sub>	l <sub>2</sub>	Double shear kN
P1206.060-016	6	16	1.2	26.0
P1206.060-018	6	18	1.2	26.0
P1206.060-020	6	20	1.2	26.0
P1206.060-024	6	24	1.2	26.0
P1206.060-028	6	28	1.2	26.0
P1206.060-030	6	30	1.2	26.0
P1206.060-032	6	32	1.2	26.0
P1206.060-036	6	36	1.2	26.0
P1206.060-040	6	40	1.2	26.0
P1206.060-045	6	45	1.2	26.0
P1206.060-050	6	50	1.2	26.0
P1206.060-055	6	55	1.2	26.0
P1206.060-060	6	60	1.2	26.0
P1206.060-070	6	70	1.2	26.0
P1206.060-080	6	80	1.2	26.0
P1206.080-010	8	10	1.6	47.0
P1206.080-012	8	12	1.6	47.0
P1206.080-014	8	14	1.6	47.0
P1206.080-016	8	16	1.6	47.0
P1206.080-018	8	18	1.6	47.0
P1206.080-020	8	20	1.6	47.0
P1206.080-024	8	24	1.6	47.0
P1206.080-028	8	28	1.6	47.0
P1206.080-030	8	30	1.6	47.0
P1206.080-032	8	32	1.6	47.0
P1206.080-036	8	36	1.6	47.0
P1206.080-040	8	40	1.6	47.0
P1206.080-045	8	45	1.6	47.0
P1206.080-050	8	50	1.6	47.0
P1206.080-055	8	55	1.6	47.0
P1206.080-060	8	60	1.6	47.0
P1206.080-070	8	70	1.6	47.0
P1206.080-080	8	80	1.6	47.0
P1206.080-090	8	90	1.6	47.0
P1206.080-100	8	100	1.6	47.0
P1206.080-120	8	120	1.6	47.0
P1206.100-012	10	12	2.0	64.1
P1206.100-014	10	14	2.0	64.1
P1206.100-016	10	16	2.0	64.1
P1206.100-018	10	18	2.0	64.1
P1206.100-020	10	20	2.0	64.1
P1206.100-024	10	24	2.0	64.1
P1206.100-028	10	28	2.0	64.1
P1206.100-030	10	30	2.0	64.1
P1206.100-032	10	32	2.0	64.1
P1206.100-036	10	36	2.0	64.1
P1206.100-040	10	40	2.0	64.1
P1206.100-045	10	45	2.0	64.1
P1206.100-050	10	50	2.0	64.1
P1206.100-055	10	55	2.0	64.1
P1206.100-060	10	60	2.0	64.1
P1206.100-065	10	65	2.0	64.1
P1206.100-070	10	70	2.0	64.1
P1206.100-080	10	80	2.0	64.1
P1206.100-090	10	90	2.0	64.1
P1206.100-100	10	100	2.0	64.1
P1206.100-120	10	120	2.0	64.1
P1206.120-016	12	16	2.5	92.0
P1206.120-018	12	18	2.5	92.0
P1206.120-020	12	20	2.5	92.0
P1206.120-024	12	24	2.5	92.0
P1206.120-028	12	28	2.5	92.0
P1206.120-030	12	30	2.5	92.0
P1206.120-032	12	32	2.5	92.0
P1206.120-036	12	36	2.5	92.0
P1206.120-040	12	40	2.5	92.0
P1206.120-045	12	45	2.5	92.0
P1206.120-050	12	50	2.5	92.0

DOWEL PINS



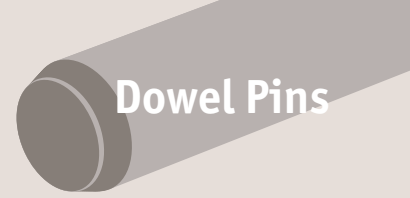
Order No.	d <sub>1</sub> tol. m6	l <sub>1</sub>	l <sub>2</sub>	Double shear kN
P1206.120-055	12	55	2.5	92.0
P1206.120-060	12	60	2.5	92.0
P1206.120-070	12	70	2.5	92.0
P1206.120-080	12	80	2.5	92.0
P1206.120-090	12	90	2.5	92.0
P1206.120-100	12	100	2.5	92.0
P1206.120-120	12	120	2.5	92.0
P1206.160-024	16	24	3.0	160.0
P1206.160-028	16	28	3.0	160.0
P1206.160-030	16	30	3.0	160.0
P1206.160-032	16	32	3.0	160.0
P1206.160-036	16	36	3.0	160.0
P1206.160-040	16	40	3.0	160.0
P1206.160-045	16	45	3.0	160.0
P1206.160-050	16	50	3.0	160.0
P1206.160-055	16	55	3.0	160.0
P1206.160-060	16	60	3.0	160.0
P1206.160-070	16	70	3.0	160.0
P1206.160-080	16	80	3.0	160.0
P1206.160-090	16	90	3.0	160.0
P1206.160-100	16	100	3.0	160.0
P1206.160-120	16	120	3.0	160.0



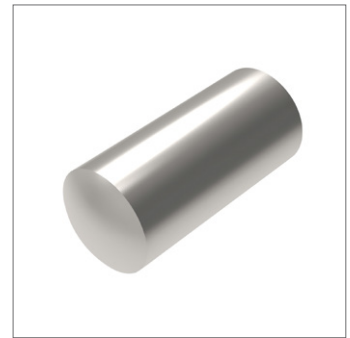
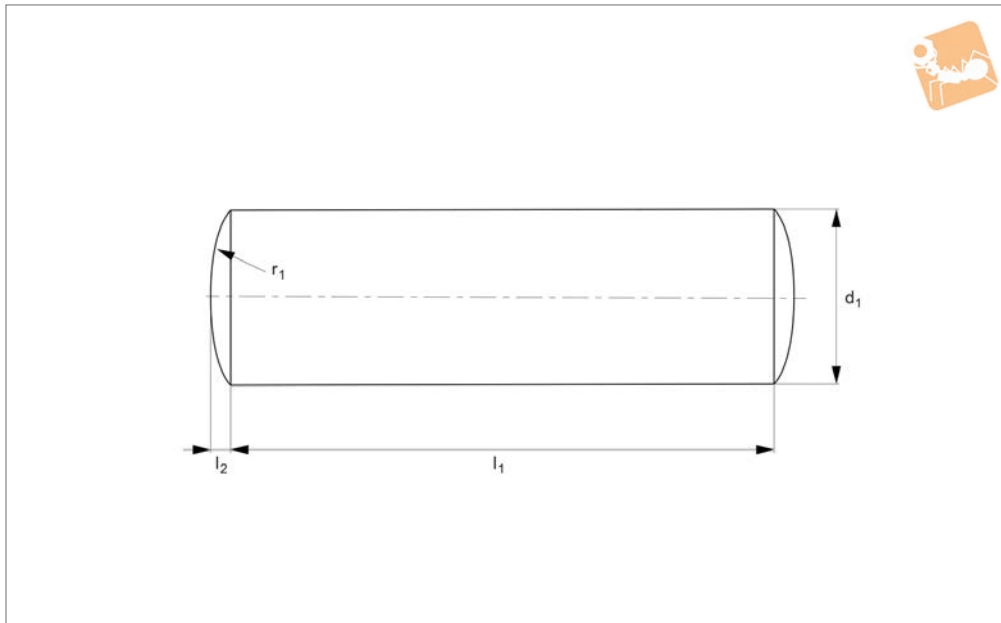


# Stainless Dowel Pins

A4 stainless



Dowel Pins



**P1207**

DOWEL PINS

### Material

Stainless steel (A4, AISI 316), rounded end.

### Technical Notes

To DIN 7. Ground to m6 on  $\emptyset$  (h8 over  $\emptyset$ 16mm).

Note: overall length is greater than nominal length (note dimension  $l_2$ ).

$l_1$  tolerances:

3-10mm long - +0.3,-0

12-50mm long - +0.5,-0

over 50mm long - +0.5,-0.

### Tips

A4 stainless steel grade is a softer material than the A2 stainless steel dowel pins (part no. P1206).

It is more resistant to corrosion, and more expensive than the A2 grade dowel pins.

Order No.	$d_1$ tol. m6	$l_1$	$l_2$	$r_1$	Double shear kN
P1207.010-003	1	3	0.15	1	0.7
P1207.010-004	1	4	0.15	1	0.7
P1207.010-005	1	5	0.15	1	0.7
P1207.010-006	1	6	0.15	1	0.7
P1207.010-008	1	8	0.15	1	0.7
P1207.010-010	1	10	0.15	1	0.7
P1207.010-012	1	12	0.15	1	0.7
P1207.010-014	1	14	0.15	1	0.7
P1207.010-016	1	16	0.15	1	0.7
P1207.015-003	1.5	3	0.23	1.6	1.7
P1207.015-004	1.5	4	0.23	1.6	1.7
P1207.015-005	1.5	5	0.23	1.6	1.7
P1207.015-006	1.5	6	0.23	1.6	1.7
P1207.015-008	1.5	8	0.23	1.6	1.7
P1207.015-010	1.5	10	0.23	1.6	1.7
P1207.015-012	1.5	12	0.23	1.6	1.7
P1207.015-014	1.5	14	0.23	1.6	1.7
P1207.015-016	1.5	16	0.23	1.6	1.7
P1207.015-018	1.5	18	0.23	1.6	1.7
P1207.015-020	1.5	20	0.23	1.6	1.7
P1207.015-024	1.5	24	0.23	1.6	1.7
P1207.020-004	2	4	0.3	2	2.9
P1207.020-005	2	5	0.3	2	2.9
P1207.020-006	2	6	0.3	2	2.9
P1207.020-008	2	8	0.3	2	2.9
P1207.020-010	2	10	0.3	2	2.9
P1207.020-012	2	12	0.3	2	2.9
P1207.020-014	2	14	0.3	2	2.9
P1207.020-016	2	16	0.3	2	2.9
P1207.020-018	2	18	0.3	2	2.9
P1207.020-020	2	20	0.3	2	2.9

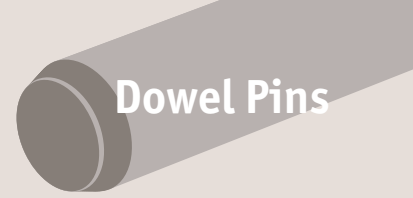


Order No.	d <sub>1</sub> tol. m6	l <sub>1</sub>	l <sub>2</sub>	r <sub>1</sub>	Double shear kN
P1207.020-024	2	24	0.3	2	2.9
P1207.025-004	2.5	4	0.4	2.5	4.4
P1207.025-005	2.5	5	0.4	2.5	4.4
P1207.025-006	2.5	6	0.4	2.5	4.4
P1207.025-008	2.5	8	0.4	2.5	4.4
P1207.025-010	2.5	10	0.4	2.5	4.4
P1207.025-012	2.5	12	0.4	2.5	4.4
P1207.025-014	2.5	14	0.4	2.5	4.4
P1207.025-016	2.5	16	0.4	2.5	4.4
P1207.025-018	2.5	18	0.4	2.5	4.4
P1207.025-020	2.5	20	0.4	2.5	4.4
P1207.025-024	2.5	24	0.4	2.5	4.4
P1207.025-028	2.5	28	0.4	2.5	4.4
P1207.030-005	3	5	0.45	3	6.6
P1207.030-006	3	6	0.45	3	6.6
P1207.030-008	3	8	0.45	3	6.6
P1207.030-010	3	10	0.45	3	6.6
P1207.030-012	3	12	0.45	3	6.6
P1207.030-014	3	14	0.45	3	6.6
P1207.030-016	3	16	0.45	3	6.6
P1207.030-018	3	18	0.45	3	6.6
P1207.030-020	3	20	0.45	3	6.6
P1207.030-024	3	24	0.45	3	6.6
P1207.030-028	3	28	0.45	3	6.6
P1207.030-032	3	32	0.45	3	6.6
P1207.030-036	3	36	0.45	3	6.6
P1207.030-040	3	40	0.45	3	6.6
P1207.040-005	4	5	0.6	4	11.7
P1207.040-006	4	6	0.6	4	11.7
P1207.040-008	4	8	0.6	4	11.7
P1207.040-010	4	10	0.6	4	11.7
P1207.040-012	4	12	0.6	4	11.7
P1207.040-014	4	14	0.6	4	11.7
P1207.040-016	4	16	0.6	4	11.7
P1207.040-018	4	18	0.6	4	11.7
P1207.040-020	4	20	0.6	4	11.7
P1207.040-024	4	24	0.6	4	11.7
P1207.040-028	4	28	0.6	4	11.7
P1207.040-032	4	32	0.6	4	11.7
P1207.040-036	4	36	0.6	4	11.7
P1207.040-040	4	40	0.6	4	11.7
P1207.050-006	5	6	0.75	5	18.1
P1207.050-008	5	8	0.75	5	18.1
P1207.050-010	5	10	0.75	5	18.1
P1207.050-012	5	12	0.75	5	18.1
P1207.050-014	5	14	0.75	5	18.1
P1207.050-016	5	16	0.75	5	18.1
P1207.050-018	5	18	0.75	5	18.1
P1207.050-020	5	20	0.75	5	18.1
P1207.050-024	5	24	0.75	5	18.1
P1207.050-028	5	28	0.75	5	18.1
P1207.050-032	5	32	0.75	5	18.1
P1207.050-036	5	36	0.75	5	18.1
P1207.050-040	5	40	0.75	5	18.1
P1207.050-045	5	45	0.75	5	18.1
P1207.050-050	5	50	0.75	5	18.1
P1207.050-060	5	60	0.75	5	18.1
P1207.060-008	6	8	0.9	6	26.0
P1207.060-010	6	10	0.9	6	26.0
P1207.060-012	6	12	0.9	6	26.0
P1207.060-014	6	14	0.9	6	26.0
P1207.060-016	6	16	0.9	6	26.0
P1207.060-018	6	18	0.9	6	26.0
P1207.060-020	6	20	0.9	6	26.0
P1207.060-024	6	24	0.9	6	26.0
P1207.060-028	6	28	0.9	6	26.0
P1207.060-030	6	30	0.9	6	26.0
P1207.060-032	6	32	0.9	6	26.0



# Stainless Dowel Pins

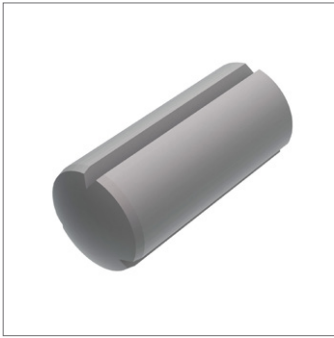
## A4 stainless



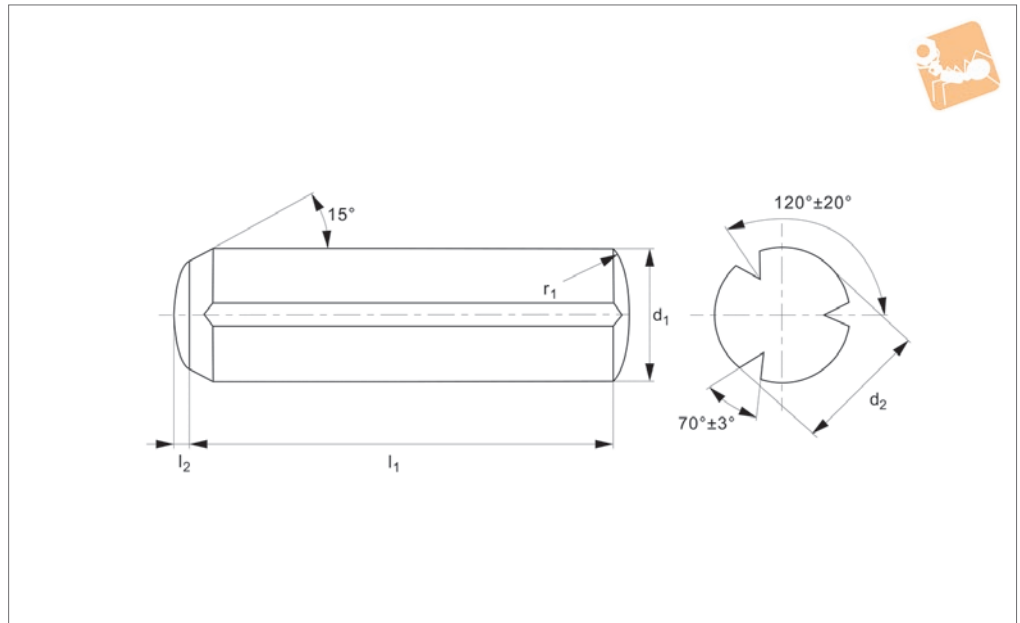
Dowel Pins

Order No.	d <sub>1</sub> tol. m6	l <sub>1</sub>	l <sub>2</sub>	r <sub>1</sub>	Double shear kN
P1207.060-036	6	36	0.9	6	26.0
P1207.060-040	6	40	0.9	6	26.0
P1207.060-045	6	45	0.9	6	26.0
P1207.060-050	6	50	0.9	6	26.0
P1207.060-055	6	55	0.9	6	26.0
P1207.060-060	6	60	0.9	6	26.0
P1207.060-070	6	70	0.9	6	26.0
P1207.060-080	6	80	0.9	6	26.0
P1207.080-008	8	8	1.2	8	47.0
P1207.080-010	8	10	1.2	8	47.0
P1207.080-012	8	12	1.2	8	47.0
P1207.080-014	8	14	1.2	8	47.0
P1207.080-016	8	16	1.2	8	47.0
P1207.080-018	8	18	1.2	8	47.0
P1207.080-020	8	20	1.2	8	47.0
P1207.080-024	8	24	1.2	8	47.0
P1207.080-028	8	28	1.2	8	47.0
P1207.080-030	8	30	1.2	8	47.0
P1207.080-032	8	32	1.2	8	47.0
P1207.080-036	8	36	1.2	8	47.0
P1207.080-040	8	40	1.2	8	47.0
P1207.080-045	8	45	1.2	8	47.0
P1207.080-050	8	50	1.2	8	47.0
P1207.080-055	8	55	1.2	8	47.0
P1207.080-060	8	60	1.2	8	47.0
P1207.080-070	8	70	1.2	8	47.0
P1207.080-080	8	80	1.2	8	47.0
P1207.080-090	8	90	1.2	8	47.0
P1207.080-100	8	100	1.2	8	47.0
P1207.080-110	8	110	1.2	8	47.0
P1207.080-120	8	120	1.2	8	47.0
P1207.100-014	10	14	1.5	10	64.1
P1207.100-016	10	16	1.5	10	64.1
P1207.100-018	10	18	1.5	10	64.1
P1207.100-020	10	20	1.5	10	64.1
P1207.100-024	10	24	1.5	10	64.1
P1207.100-028	10	28	1.5	10	64.1
P1207.100-030	10	30	1.5	10	64.1
P1207.100-032	10	32	1.5	10	64.1
P1207.100-036	10	36	1.5	10	64.1
P1207.100-040	10	40	1.5	10	64.1
P1207.100-045	10	45	1.5	10	64.1
P1207.100-050	10	50	1.5	10	64.1
P1207.100-055	10	55	1.5	10	64.1
P1207.100-060	10	60	1.5	10	64.1
P1207.100-070	10	70	1.5	10	64.1
P1207.100-080	10	80	1.5	10	64.1
P1207.100-090	10	90	1.5	10	64.1
P1207.100-100	10	100	1.5	10	64.1
P1207.100-110	10	110	1.5	10	64.1
P1207.100-120	10	120	1.5	10	64.1
P1207.120-024	12	24	1.8	12	92.0
P1207.120-028	12	28	1.8	12	92.0
P1207.120-030	12	30	1.8	12	92.0
P1207.120-032	12	32	1.8	12	92.0
P1207.120-036	12	36	1.8	12	92.0
P1207.120-040	12	40	1.8	12	92.0
P1207.120-045	12	45	1.8	12	92.0
P1207.120-050	12	50	1.8	12	92.0
P1207.120-055	12	55	1.8	12	92.0
P1207.120-060	12	60	1.8	12	92.0
P1207.120-070	12	70	1.8	12	92.0
P1207.120-080	12	80	1.8	12	92.0
P1207.120-090	12	90	1.8	12	92.0
P1207.120-100	12	100	1.8	12	92.0
P1207.120-110	12	110	1.8	12	92.0
P1207.120-120	12	120	1.8	12	92.0

DOWEL PINS



## P1208



### Material

Mild steel (WS 1,0718, 9SMnPb28).

### Technical Notes

To DIN 1473 (GP 3, similar to ISO 8740).

Full length grooves.

Diameters tolerance: under  $\varnothing 4$  h9, over  $\varnothing 4$  tolerance h11.

Nominal length  $l_1$  does not include radiused ends.

### Tips

Three swaged grooves at  $120^\circ$  pitch all along the length.

When the pin is driven into the drilled hole

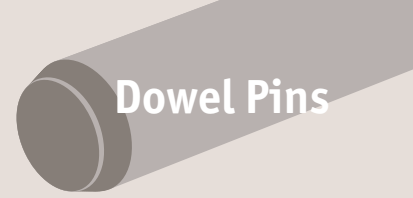
the material displaced is forced back, to close up the groove and lock the pin into place. Allows the use of non precision holes.

Used to fix two or more components together with maximum rigidity.

Order No.	$d_1$ tol. h9/h11	$l_1$ tol. js15	$l_2$	$d_2$ over grooves	Hole min.	Hole max.	Double shear kN
P1208.010-004	1.0	4	0.14	1.05	1.0	1.025	0.7
P1208.010-005	1.0	5	0.14	1.05	1.0	1.025	0.7
P1208.010-006	1.0	6	0.14	1.05	1.0	1.025	0.7
P1208.010-008	1.0	8	0.14	1.05	1.0	1.025	0.7
P1208.012-004	1.2	4	0.16	1.25	1.2	1.225	1.0
P1208.012-005	1.2	5	0.16	1.25	1.2	1.225	1.0
P1208.012-006	1.2	6	0.16	1.25	1.2	1.225	1.0
P1208.012-008	1.2	8	0.16	1.25	1.2	1.225	1.0
P1208.015-004	1.5	4	0.20	1.60	1.5	1.525	1.6
P1208.015-005	1.5	5	0.20	1.60	1.5	1.525	1.6
P1208.015-006	1.5	6	0.20	1.60	1.5	1.525	1.6
P1208.015-008	1.5	8	0.20	1.60	1.5	1.525	1.6
P1208.015-010	1.5	10	0.20	1.60	1.5	1.525	1.6
P1208.015-012	1.5	12	0.20	1.60	1.5	1.525	1.6
P1208.015-014	1.5	14	0.20	1.60	1.5	1.525	1.6
P1208.015-016	1.5	16	0.20	1.60	1.5	1.525	1.6
P1208.015-018	1.5	18	0.20	1.60	1.5	1.525	1.6
P1208.015-020	1.5	20	0.20	1.60	1.5	1.525	1.6
P1208.020-004	2.0	4	0.25	2.15	2.0	2.025	2.85
P1208.020-005	2.0	5	0.25	2.15	2.0	2.025	2.85
P1208.020-006	2.0	6	0.25	2.15	2.0	2.025	2.85
P1208.020-008	2.0	8	0.25	2.15	2.0	2.025	2.85
P1208.020-010	2.0	10	0.25	2.15	2.0	2.025	2.85
P1208.020-012	2.0	12	0.25	2.15	2.0	2.025	2.85
P1208.020-014	2.0	14	0.25	2.15	2.0	2.025	2.85
P1208.020-016	2.0	16	0.25	2.15	2.0	2.025	2.85
P1208.020-018	2.0	18	0.25	2.15	2.0	2.025	2.85
P1208.020-020	2.0	20	0.25	2.15	2.0	2.025	2.85
P1208.020-024	2.0	24	0.25	2.15	2.0	2.025	2.85
P1208.020-026	2.0	26	0.25	2.15	2.0	2.025	2.85



# Steel Grooved Pins



## Dowel Pins

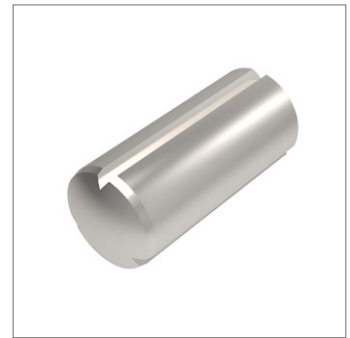
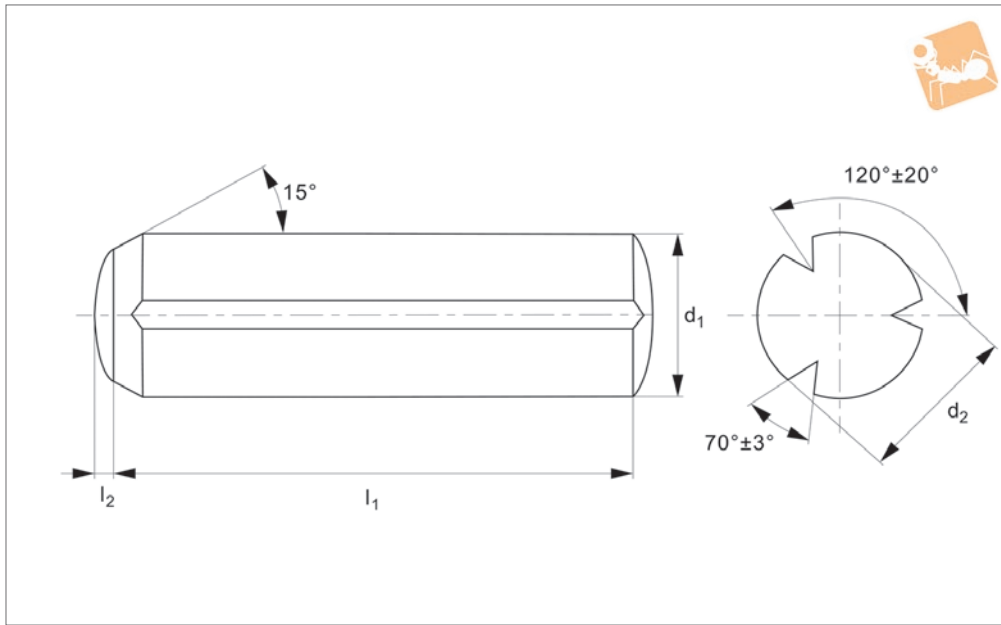
Order No.	d <sub>1</sub> tol. h9/h11	l <sub>1</sub> tol. js15	l <sub>2</sub>	d <sub>2</sub> over grooves	Hole min.	Hole max.	Double shear kN
P1208.020-028	2.0	28	0.25	2.15	2.0	2.025	2.85
P1208.020-030	2.0	30	0.25	2.15	2.0	2.025	2.85
P1208.025-006	2.5	6	0.30	2.65	2.5	2.525	4.25
P1208.025-008	2.5	8	0.30	2.65	2.5	2.525	4.25
P1208.025-010	2.5	10	0.30	2.65	2.5	2.525	4.25
P1208.025-012	2.5	12	0.30	2.65	2.5	2.525	4.25
P1208.025-014	2.5	14	0.30	2.65	2.5	2.525	4.25
P1208.025-016	2.5	16	0.30	2.65	2.5	2.525	4.25
P1208.025-018	2.5	18	0.30	2.65	2.5	2.525	4.25
P1208.025-020	2.5	20	0.30	2.65	2.5	2.525	4.25
P1208.025-024	2.5	24	0.30	2.65	2.5	2.525	4.25
P1208.025-026	2.5	26	0.30	2.65	2.5	2.525	4.25
P1208.025-028	2.5	28	0.30	2.65	2.5	2.525	4.25
P1208.025-030	2.5	30	0.30	2.65	2.5	2.525	4.25
P1208.030-006	3.0	6	0.40	3.20	3.0	3.025	6.15
P1208.030-008	3.0	8	0.40	3.20	3.0	3.025	6.15
P1208.030-010	3.0	10	0.40	3.20	3.0	3.025	6.15
P1208.030-012	3.0	12	0.40	3.20	3.0	3.025	6.15
P1208.030-014	3.0	14	0.40	3.20	3.0	3.025	6.15
P1208.030-016	3.0	16	0.40	3.20	3.0	3.025	6.15
P1208.030-018	3.0	18	0.40	3.20	3.0	3.025	6.15
P1208.030-020	3.0	20	0.40	3.20	3.0	3.025	6.15
P1208.030-024	3.0	24	0.40	3.20	3.0	3.025	6.15
P1208.030-026	3.0	26	0.40	3.20	3.0	3.025	6.15
P1208.030-028	3.0	28	0.40	3.20	3.0	3.025	6.15
P1208.030-030	3.0	30	0.40	3.20	3.0	3.025	6.15
P1208.040-006	4.0	6	0.50	4.25	4.0	4.075	10.6
P1208.040-008	4.0	8	0.50	4.25	4.0	4.075	10.6
P1208.040-010	4.0	10	0.50	4.25	4.0	4.075	10.6
P1208.040-012	4.0	12	0.50	4.25	4.0	4.075	10.6
P1208.040-014	4.0	14	0.50	4.25	4.0	4.075	10.6
P1208.040-016	4.0	16	0.50	4.25	4.0	4.075	10.6
P1208.040-018	4.0	18	0.50	4.25	4.0	4.075	10.6
P1208.040-020	4.0	20	0.50	4.25	4.0	4.075	10.6
P1208.040-024	4.0	24	0.50	4.25	4.0	4.075	10.6
P1208.040-026	4.0	26	0.50	4.25	4.0	4.075	10.6
P1208.040-028	4.0	28	0.50	4.25	4.0	4.075	10.6
P1208.040-030	4.0	30	0.50	4.25	4.0	4.075	10.6
P1208.040-032	4.0	32	0.50	4.25	4.0	4.075	10.6
P1208.040-036	4.0	36	0.50	4.25	4.0	4.075	10.6
P1208.040-040	4.0	40	0.50	4.25	4.0	4.075	10.6
P1208.040-045	4.0	45	0.50	4.25	4.0	4.075	10.6
P1208.040-050	4.0	50	0.50	4.25	4.0	4.075	10.6
P1208.050-008	5.0	8	0.60	5.25	5.0	5.075	16.5
P1208.050-010	5.0	10	0.60	5.25	5.0	5.075	16.5
P1208.050-012	5.0	12	0.60	5.25	5.0	5.075	16.5
P1208.050-014	5.0	14	0.60	5.25	5.0	5.075	16.5
P1208.050-016	5.0	16	0.60	5.25	5.0	5.075	16.5
P1208.050-018	5.0	18	0.60	5.25	5.0	5.075	16.5
P1208.050-020	5.0	20	0.60	5.25	5.0	5.075	16.5
P1208.050-024	5.0	24	0.60	5.25	5.0	5.075	16.5
P1208.050-026	5.0	26	0.60	5.25	5.0	5.075	16.5
P1208.050-028	5.0	28	0.60	5.25	5.0	5.075	16.5
P1208.050-030	5.0	30	0.60	5.25	5.0	5.075	16.5
P1208.050-032	5.0	32	0.60	5.25	5.0	5.075	16.5
P1208.050-036	5.0	34	0.60	5.25	5.0	5.075	16.5
P1208.050-040	5.0	40	0.60	5.25	5.0	5.075	16.5
P1208.050-045	5.0	45	0.60	5.25	5.0	5.075	16.5
P1208.050-050	5.0	50	0.60	5.25	5.0	5.075	16.5
P1208.060-008	6.0	8	0.80	6.30	6.0	6.075	6.0
P1208.060-010	6.0	10	0.80	6.30	6.0	6.075	6.0
P1208.060-012	6.0	12	0.80	6.30	6.0	6.075	6.0
P1208.060-014	6.0	14	0.80	6.30	6.0	6.075	6.0
P1208.060-016	6.0	16	0.80	6.30	6.0	6.075	6.0
P1208.060-018	6.0	18	0.80	6.30	6.0	6.075	6.0
P1208.060-020	6.0	20	0.80	6.30	6.0	6.075	6.0
P1208.060-024	6.0	24	0.80	6.30	6.0	6.075	6.0
P1208.060-026	6.0	26	0.80	6.30	6.0	6.075	6.0

DOWEL PINS



DOWEL PINS

Order No.	d <sub>1</sub> tol. h9/h11	l <sub>1</sub> tol. js15	l <sub>2</sub>	d <sub>2</sub> over grooves	Hole min.	Hole max.	Double shear kN
P1208.060-028	6.0	28	0.80	6.30	6.0	6.075	6.0
P1208.060-030	6.0	30	0.80	6.30	6.0	6.075	6.0
P1208.060-032	6.0	32	0.80	6.30	6.0	6.075	6.0
P1208.060-036	6.0	36	0.80	6.30	6.0	6.075	6.0
P1208.060-040	6.0	40	0.80	6.30	6.0	6.075	6.0
P1208.060-045	6.0	45	0.80	6.30	6.0	6.075	6.0
P1208.060-050	6.0	50	0.80	6.30	6.0	6.075	6.0
P1208.060-055	6.0	55	0.80	6.30	6.0	6.075	6.0
P1208.080-010	8.0	10	1.00	8.30	8.0	8.090	40.5
P1208.080-012	8.0	12	1.00	8.30	8.0	8.090	40.5
P1208.080-014	8.0	14	1.00	8.30	8.0	8.090	40.5
P1208.080-016	8.0	16	1.00	8.30	8.0	8.090	40.5
P1208.080-018	8.0	18	1.00	8.30	8.0	8.090	40.5
P1208.080-020	8.0	20	1.00	8.30	8.0	8.090	40.5
P1208.080-024	8.0	24	1.00	8.30	8.0	8.090	40.5
P1208.080-026	8.0	26	1.00	8.30	8.0	8.090	40.5
P1208.080-028	8.0	28	1.00	8.30	8.0	8.090	40.5
P1208.080-030	8.0	30	1.00	8.30	8.0	8.090	40.5
P1208.080-032	8.0	32	1.00	8.30	8.0	8.090	40.5
P1208.080-036	8.0	36	1.00	8.30	8.0	8.090	40.5
P1208.080-040	8.0	40	1.00	8.30	8.0	8.090	40.5
P1208.080-045	8.0	45	1.00	8.30	8.0	8.090	40.5
P1208.080-050	8.0	50	1.00	8.30	8.0	8.090	40.5
P1208.080-055	8.0	55	1.00	8.30	8.0	8.090	40.5
P1208.080-060	8.0	60	1.00	8.30	8.0	8.090	40.5
P1208.080-065	8.0	65	1.00	8.30	8.0	8.090	40.5
P1208.080-070	8.0	70	1.00	8.30	8.0	8.090	40.5
P1208.100-014	10.0	14	1.20	10.35	10.0	10.09	63.2
P1208.100-016	10.0	16	1.20	10.35	10.0	10.09	63.2
P1208.100-018	10.0	18	1.20	10.35	10.0	10.09	63.2
P1208.100-020	10.0	20	1.20	10.35	10.0	10.09	63.2
P1208.100-024	10.0	24	1.20	10.35	10.0	10.09	63.2
P1208.100-026	10.0	26	1.20	10.35	10.0	10.09	63.2
P1208.100-028	10.0	28	1.20	10.35	10.0	10.09	63.2
P1208.100-030	10.0	30	1.20	10.35	10.0	10.09	63.2
P1208.100-032	10.0	32	1.20	10.35	10.0	10.09	63.2
P1208.100-036	10.0	36	1.20	10.35	10.0	10.09	63.2
P1208.100-040	10.0	40	1.20	10.35	10.0	10.09	63.2
P1208.100-045	10.0	45	1.20	10.35	10.0	10.09	63.2
P1208.100-050	10.0	50	1.20	10.35	10.0	10.09	63.2
P1208.100-055	10.0	55	1.20	10.35	10.0	10.09	63.2
P1208.100-060	10.0	60	1.20	10.35	10.0	10.09	63.2
P1208.100-065	10.0	65	1.20	10.35	10.0	10.09	63.2
P1208.100-070	10.0	70	1.20	10.35	10.0	10.09	63.2
P1208.100-075	10.0	75	1.20	10.35	10.0	10.09	63.2
P1208.100-080	10.0	80	1.20	10.35	10.0	10.09	63.2
P1208.120-014	12.0	14	1.60	12.35	12.0	12.11	91
P1208.120-016	12.0	16	1.60	12.35	12.0	12.11	91
P1208.120-018	12.0	18	1.60	12.35	12.0	12.11	91
P1208.120-020	12.0	20	1.60	12.35	12.0	12.11	91
P1208.120-024	12.0	24	1.60	12.35	12.0	12.11	91
P1208.120-026	12.0	26	1.60	12.35	12.0	12.11	91
P1208.120-028	12.0	28	1.60	12.35	12.0	12.11	91
P1208.120-030	12.0	30	1.60	12.35	12.0	12.11	91
P1208.120-032	12.0	32	1.60	12.35	12.0	12.11	91
P1208.120-036	12.0	36	1.60	12.35	12.0	12.11	91
P1208.120-040	12.0	40	1.60	12.35	12.0	12.11	91
P1208.120-045	12.0	45	1.60	12.35	12.0	12.11	91
P1208.120-050	12.0	50	1.60	12.35	12.0	12.11	91
P1208.120-055	12.0	55	1.60	12.35	12.0	12.11	91
P1208.120-060	12.0	60	1.60	12.35	12.0	12.11	91
P1208.120-065	12.0	65	1.60	12.35	12.0	12.11	91
P1208.120-070	12.0	70	1.60	12.35	12.0	12.11	91
P1208.120-075	12.0	75	1.60	12.35	12.0	12.11	91
P1208.120-080	12.0	80	1.60	12.35	12.0	12.11	91



## P1209

DOWEL PINS

### Material

Stainless steel (A2, AISI 303).

### Technical Notes

To DIN 1473 (GP 3, similar to ISO 8740).  
Full length grooves.  
Diameters tolerance under  $\varnothing 4$  h9, over  $\varnothing 4$  tolerance h11.  
Nominal length  $l_1$  does not include radi-

used ends.

Allows the use of non precision holes.  
Used to fix two or more components together with maximum rigidity.

### Tips

Three swaged grooves at  $120^\circ$  pitch all along the length.  
When the pin is driven into the drilled hole

the material displaced is forced back, to close up the groove and lock the pin into place. Allows the use of non precision holes.

Used to fix two or more components together with maximum rigidity.

Order No.	$d_1$ tol. h9/h11	$l_1$ tol. js15	$l_2$	$d_2$ over grooves	Hole min.	Hole max.	Double shear kN
P1209.010-004	1.0	4	0.14	1.05	1.0	1.025	0.7
P1209.010-005	1.0	5	0.14	1.05	1.0	1.025	0.7
P1209.010-006	1.0	6	0.14	1.05	1.0	1.025	0.7
P1209.010-008	1.0	8	0.14	1.05	1.0	1.025	0.7
P1209.012-004	1.2	4	0.16	1.25	1.2	1.225	1.0
P1209.012-005	1.2	5	0.16	1.25	1.2	1.225	1.0
P1209.012-006	1.2	6	0.16	1.25	1.2	1.225	1.0
P1209.012-008	1.2	8	0.16	1.25	1.2	1.225	1.0
P1209.015-004	1.5	4	0.20	1.60	1.5	1.525	1.6
P1209.015-005	1.5	5	0.20	1.60	1.5	1.525	1.6
P1209.015-006	1.5	6	0.20	1.60	1.5	1.525	1.6
P1209.015-008	1.5	8	0.20	1.60	1.5	1.525	1.6
P1209.015-010	1.5	10	0.20	1.60	1.5	1.525	1.6
P1209.015-012	1.5	12	0.20	1.60	1.5	1.525	1.6
P1209.015-014	1.5	14	0.20	1.60	1.5	1.525	1.6
P1209.015-016	1.5	16	0.20	1.60	1.5	1.525	1.6
P1209.015-018	1.5	18	0.20	1.60	1.5	1.525	1.6
P1209.015-020	1.5	20	0.20	1.60	1.5	1.525	1.6
P1209.020-004	2.0	4	0.25	2.15	2.0	2.025	2.85
P1209.020-005	2.0	5	0.25	2.15	2.0	2.025	2.85
P1209.020-006	2.0	6	0.25	2.15	2.0	2.025	2.85
P1209.020-008	2.0	8	0.25	2.15	2.0	2.025	2.85
P1209.020-010	2.0	10	0.25	2.15	2.0	2.025	2.85
P1209.020-012	2.0	12	0.25	2.15	2.0	2.025	2.85
P1209.020-014	2.0	14	0.25	2.15	2.0	2.025	2.85
P1209.020-016	2.0	16	0.25	2.15	2.0	2.025	2.85
P1209.020-018	2.0	18	0.25	2.15	2.0	2.025	2.85
P1209.020-020	2.0	20	0.25	2.15	2.0	2.025	2.85
P1209.020-022	2.0	24	0.25	2.15	2.0	2.025	2.85



DOWEL PINS

Order No.	d <sub>1</sub> tol. h9/h11	l <sub>1</sub> tol. js15	l <sub>2</sub>	d <sub>2</sub> over grooves	Hole min.	Hole max.	Double shear kN
P1209.020-025	2.0	26	0.25	2.15	2.0	2.025	2.85
P1209.020-028	2.0	28	0.25	2.15	2.0	2.025	2.85
P1209.020-030	2.0	30	0.25	2.15	2.0	2.025	2.85
P1209.025-006	2.5	6	0.30	2.65	2.5	2.525	4.25
P1209.025-008	2.5	8	0.30	2.65	2.5	2.525	4.25
P1209.025-010	2.5	10	0.30	2.65	2.5	2.525	4.25
P1209.025-012	2.5	12	0.30	2.65	2.5	2.525	4.25
P1209.025-014	2.5	14	0.30	2.65	2.5	2.525	4.25
P1209.025-016	2.5	16	0.30	2.65	2.5	2.525	4.25
P1209.025-018	2.5	18	0.30	2.65	2.5	2.525	4.25
P1209.025-020	2.5	20	0.30	2.65	2.5	2.525	4.25
P1209.025-022	2.5	24	0.30	2.65	2.5	2.525	4.25
P1209.025-025	2.5	26	0.30	2.65	2.5	2.525	4.25
P1209.025-028	2.5	28	0.30	2.65	2.5	2.525	4.25
P1209.025-030	2.5	30	0.30	2.65	2.5	2.525	4.25
P1209.030-006	3.0	6	0.40	3.20	3.0	3.025	6.15
P1209.030-008	3.0	8	0.40	3.20	3.0	3.025	6.15
P1209.030-010	3.0	10	0.40	3.20	3.0	3.025	6.15
P1209.030-012	3.0	12	0.40	3.20	3.0	3.025	6.15
P1209.030-014	3.0	14	0.40	3.20	3.0	3.025	6.15
P1209.030-016	3.0	16	0.40	3.20	3.0	3.025	6.15
P1209.030-018	3.0	18	0.40	3.20	3.0	3.025	6.15
P1209.030-020	3.0	20	0.40	3.20	3.0	3.025	6.15
P1209.030-022	3.0	22	0.40	3.20	3.0	3.025	6.15
P1209.030-025	3.0	26	0.40	3.20	3.0	3.025	6.15
P1209.030-028	3.0	28	0.40	3.20	3.0	3.025	6.15
P1209.030-030	3.0	30	0.40	3.20	3.0	3.025	6.15
P1209.040-006	4.0	6	0.50	4.25	4.0	4.075	10.6
P1209.040-008	4.0	8	0.50	4.25	4.0	4.075	10.6
P1209.040-010	4.0	10	0.50	4.25	4.0	4.075	10.6
P1209.040-012	4.0	12	0.50	4.25	4.0	4.075	10.6
P1209.040-014	4.0	14	0.50	4.25	4.0	4.075	10.6
P1209.040-016	4.0	16	0.50	4.25	4.0	4.075	10.6
P1209.040-018	4.0	18	0.50	4.25	4.0	4.075	10.6
P1209.040-020	4.0	20	0.50	4.25	4.0	4.075	10.6
P1209.040-025	4.0	26	0.50	4.25	4.0	4.075	10.6
P1209.040-028	4.0	28	0.50	4.25	4.0	4.075	10.6
P1209.040-030	4.0	30	0.50	4.25	4.0	4.075	10.6
P1209.040-032	4.0	32	0.50	4.25	4.0	4.075	10.6
P1209.040-036	4.0	36	0.50	4.25	4.0	4.075	10.6
P1209.040-040	4.0	40	0.50	4.25	4.0	4.075	10.6
P1209.040-045	4.0	45	0.50	4.25	4.0	4.075	10.6
P1209.040-050	4.0	50	0.50	4.25	4.0	4.075	10.6
P1209.050-008	5.0	8	0.60	5.25	5.0	5.075	16.5
P1209.050-010	5.0	10	0.60	5.25	5.0	5.075	16.5
P1209.050-012	5.0	12	0.60	5.25	5.0	5.075	16.5
P1209.050-014	5.0	14	0.60	5.25	5.0	5.075	16.5
P1209.050-016	5.0	16	0.60	5.25	5.0	5.075	16.5
P1209.050-018	5.0	18	0.60	5.25	5.0	5.075	16.5
P1209.050-020	5.0	20	0.60	5.25	5.0	5.075	16.5
P1209.050-022	5.0	24	0.60	5.25	5.0	5.075	16.5
P1209.050-025	5.0	26	0.60	5.25	5.0	5.075	16.5
P1209.050-028	5.0	28	0.60	5.25	5.0	5.075	16.5
P1209.050-030	5.0	30	0.60	5.25	5.0	5.075	16.5
P1209.050-032	5.0	32	0.60	5.25	5.0	5.075	16.5
P1209.050-036	5.0	36	0.60	5.25	5.0	5.075	16.5
P1209.050-040	5.0	40	0.60	5.25	5.0	5.075	16.5
P1209.050-045	5.0	45	0.60	5.25	5.0	5.075	16.5
P1209.050-050	5.0	50	0.60	5.25	5.0	5.075	16.5
P1209.060-008	6.0	8	0.80	6.30	6.0	6.075	22.8
P1209.060-010	6.0	10	0.80	6.30	6.0	6.075	22.8
P1209.060-012	6.0	12	0.80	6.30	6.0	6.075	22.8
P1209.060-014	6.0	14	0.80	6.30	6.0	6.075	22.8
P1209.060-016	6.0	16	0.80	6.30	6.0	6.075	22.8
P1209.060-018	6.0	18	0.80	6.30	6.0	6.075	22.8
P1209.060-020	6.0	20	0.80	6.30	6.0	6.075	22.8
P1209.060-022	6.0	24	0.80	6.30	6.0	6.075	22.8
P1209.060-025	6.0	26	0.80	6.30	6.0	6.075	22.8



# Stainless Grooved Pins

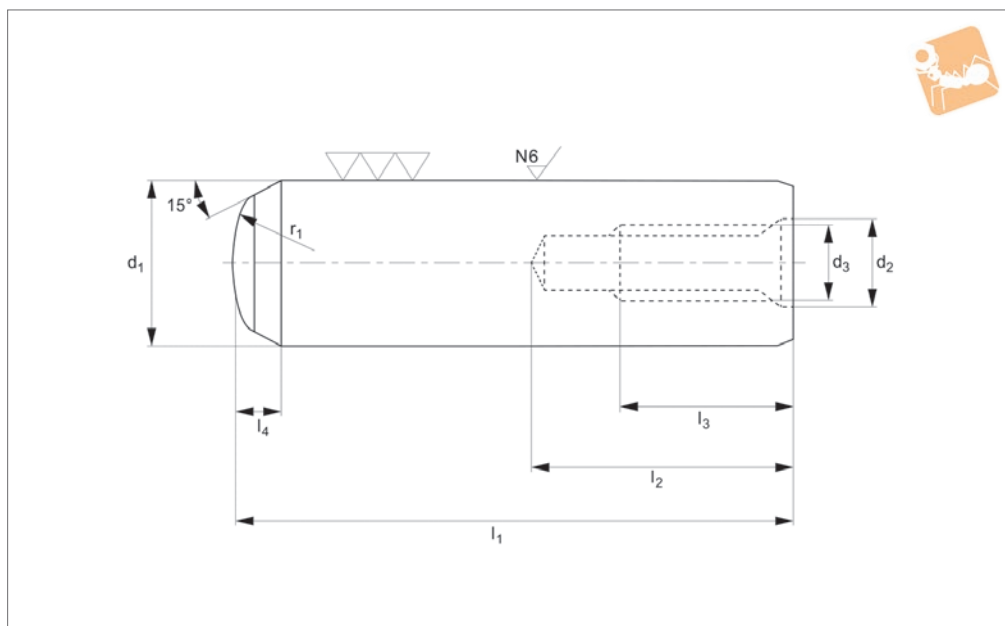
# Dowel Pins

Order No.	d <sub>1</sub> tol. h9/h11	l <sub>1</sub> tol. js15	l <sub>2</sub>	d <sub>2</sub> over grooves	Hole min.	Hole max.	Double shear kN
P1209.060-028	6.0	28	0.80	6.30	6.0	6.075	22.8
P1209.060-030	6.0	30	0.80	6.30	6.0	6.075	22.8
P1209.060-032	6.0	32	0.80	6.30	6.0	6.075	22.8
P1209.060-036	6.0	36	0.80	6.30	6.0	6.075	22.8
P1209.060-040	6.0	40	0.80	6.30	6.0	6.075	22.8
P1209.060-045	6.0	45	0.80	6.30	6.0	6.075	22.8
P1209.060-050	6.0	50	0.80	6.30	6.0	6.075	22.8
P1209.060-055	6.0	55	0.80	6.30	6.0	6.075	22.8
P1209.060-060	6.0	60	0.80	6.30	6.0	6.075	22.8
P1209.080-010	8.0	10	1.00	8.30	8.0	8.090	40.5
P1209.080-012	8.0	12	1.00	8.30	8.0	8.090	40.5
P1209.080-014	8.0	14	1.00	8.30	8.0	8.090	40.5
P1209.080-016	8.0	16	1.00	8.30	8.0	8.090	40.5
P1209.080-018	8.0	18	1.00	8.30	8.0	8.090	40.5
P1209.080-020	8.0	20	1.00	8.30	8.0	8.090	40.5
P1209.080-022	8.0	24	1.00	8.30	8.0	8.090	40.5
P1209.080-025	8.0	26	1.00	8.30	8.0	8.090	40.5
P1209.080-028	8.0	28	1.00	8.30	8.0	8.090	40.5
P1209.080-030	8.0	30	1.00	8.30	8.0	8.090	40.5
P1209.080-032	8.0	32	1.00	8.30	8.0	8.090	40.5
P1209.080-036	8.0	36	1.00	8.30	8.0	8.090	40.5
P1209.080-040	8.0	40	1.00	8.30	8.0	8.090	40.5
P1209.080-045	8.0	45	1.00	8.30	8.0	8.090	40.5
P1209.080-050	8.0	50	1.00	8.30	8.0	8.090	40.5
P1209.080-055	8.0	55	1.00	8.30	8.0	8.090	40.5
P1209.080-060	8.0	60	1.00	8.30	8.0	8.090	40.5
P1209.080-065	8.0	65	1.00	8.30	8.0	8.090	40.5
P1209.080-070	8.0	70	1.00	8.30	8.0	8.090	40.5
P1209.100-014	10.0	14	1.20	10.35	10.0	10.09	63.2
P1209.100-016	10.0	16	1.20	10.35	10.0	10.09	63.2
P1209.100-018	10.0	18	1.20	10.35	10.0	10.09	63.2
P1209.100-020	10.0	20	1.20	10.35	10.0	10.09	63.2
P1209.100-022	10.0	24	1.20	10.35	10.0	10.09	63.2
P1209.100-025	10.0	26	1.20	10.35	10.0	10.09	63.2
P1209.100-028	10.0	28	1.20	10.35	10.0	10.09	63.2
P1209.100-030	10.0	30	1.20	10.35	10.0	10.09	63.2
P1209.100-032	10.0	32	1.20	10.35	10.0	10.09	63.2
P1209.100-036	10.0	36	1.20	10.35	10.0	10.09	63.2
P1209.100-040	10.0	40	1.20	10.35	10.0	10.09	63.2
P1209.100-045	10.0	45	1.20	10.35	10.0	10.09	63.2
P1209.100-050	10.0	50	1.20	10.35	10.0	10.09	63.2
P1209.100-055	10.0	55	1.20	10.35	10.0	10.09	63.2
P1209.100-060	10.0	60	1.20	10.35	10.0	10.09	63.2
P1209.100-065	10.0	65	1.20	10.35	10.0	10.09	63.2
P1209.100-070	10.0	70	1.20	10.35	10.0	10.09	63.2
P1209.100-075	10.0	75	1.20	10.35	10.0	10.09	63.2
P1209.100-080	10.0	80	1.20	10.35	10.0	10.09	63.2
P1209.120-014	12.0	14	1.60	12.35	12.0	12.11	91
P1209.120-016	12.0	16	1.60	12.35	12.0	12.11	91
P1209.120-018	12.0	18	1.60	12.35	12.0	12.11	91
P1209.120-020	12.0	20	1.60	12.35	12.0	12.11	91
P1209.120-022	12.0	24	1.60	12.35	12.0	12.11	91
P1209.120-025	12.0	26	1.60	12.35	12.0	12.11	91
P1209.120-028	12.0	28	1.60	12.35	12.0	12.11	91
P1209.120-030	12.0	30	1.60	12.35	12.0	12.11	91
P1209.120-032	12.0	32	1.60	12.35	12.0	12.11	91
P1209.120-036	12.0	36	1.60	12.35	12.0	12.11	91
P1209.120-040	12.0	40	1.60	12.35	12.0	12.11	91
P1209.120-045	12.0	45	1.60	12.35	12.0	12.11	91
P1209.120-050	12.0	50	1.60	12.35	12.0	12.11	91
P1209.120-055	12.0	55	1.60	12.35	12.0	12.11	91
P1209.120-060	12.0	60	1.60	12.35	12.0	12.11	91
P1209.120-065	12.0	65	1.60	12.35	12.0	12.11	91
P1209.120-070	12.0	70	1.60	12.35	12.0	12.11	91
P1209.120-075	12.0	75	1.60	12.35	12.0	12.11	91
P1209.120-080	12.0	80	1.60	12.35	12.0	12.11	91

DOWEL PINS



### P1212



#### Material

Steel (100Cr6), hardened and tempered to HV 550-650, HRC 60 ±2.

#### Technical Notes

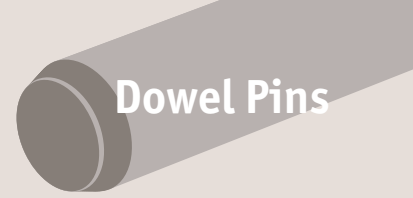
To DIN 7979D. Ground flat along length for air release.

Order No.	d <sub>1</sub> m6	l <sub>1</sub> js15	l <sub>2</sub> min.	l <sub>3</sub>	l <sub>4</sub>	d <sub>2</sub>
P1212.040-010	4	10	7	4.5	1.3	M 2,5
P1212.040-012	4	12	7	4.5	1.3	M 2,5
P1212.040-014	4	14	7	4.5	1.3	M 2,5
P1212.040-016	4	16	7	4.5	1.3	M 2,5
P1212.040-018	4	18	7	4.5	1.3	M 2,5
P1212.040-020	4	20	7	4.5	1.3	M 2,5
P1212.040-024	4	24	7	4.5	1.3	M 2,5
P1212.040-028	4	28	7	4.5	1.3	M 2,5
P1212.040-030	4	30	7	4.5	1.3	M 2,5
P1212.040-032	4	32	7	4.5	1.3	M 2,5
P1212.040-036	4	36	7	4.5	1.3	M 2,5
P1212.040-040	4	40	7	4.5	1.3	M 2,5
P1212.040-045	4	45	7	4.5	1.3	M 2,5
P1212.040-050	4	50	7	4.5	1.3	M 2,5
P1212.050-010	5	10	7	4.5	1.7	M 3
P1212.050-012	5	12	7	4.5	1.7	M 3
P1212.050-014	5	14	7	4.5	1.7	M 3
P1212.050-016	5	16	7	4.5	1.7	M 3
P1212.050-018	5	18	7	4.5	1.7	M 3
P1212.050-020	5	20	7	4.5	1.7	M 3
P1212.050-024	5	24	7	4.5	1.7	M 3
P1212.050-028	5	28	7	4.5	1.7	M 3
P1212.050-030	5	30	7	4.5	1.7	M 3
P1212.050-032	5	32	7	4.5	1.7	M 3
P1212.050-036	5	36	7	4.5	1.7	M 3
P1212.050-040	5	40	7	4.5	1.7	M 3
P1212.050-045	5	45	7	4.5	1.7	M 3
P1212.050-050	5	50	7	4.5	1.7	M 3
P1212.060-012	6	12	10	6	2.1	M 4
P1212.060-014	6	14	10	6	2.1	M 4
P1212.060-016	6	16	10	6	2.1	M 4
P1212.060-018	6	18	10	6	2.1	M 4
P1212.060-020	6	20	10	6	2.1	M 4
P1212.060-024	6	24	10	6	2.1	M 4



# Extractable Dowel Pins

with air release



## Dowel Pins

Order No.	d <sub>1</sub> m6	l <sub>1</sub> js15	l <sub>2</sub> min.	l <sub>3</sub>	l <sub>4</sub>	d <sub>2</sub>
P1212.060-028	6	28	10	6	2.1	M 4
P1212.060-030	6	30	10	6	2.1	M 4
P1212.060-032	6	32	10	6	2.1	M 4
P1212.060-036	6	36	10	6	2.1	M 4
P1212.060-040	6	40	10	6	2.1	M 4
P1212.060-045	6	45	10	6	2.1	M 4
P1212.060-050	6	50	10	6	2.1	M 4
P1212.060-055	6	55	10	6	2.1	M 4
P1212.060-060	6	60	10	6	2.1	M 4
P1212.060-070	6	70	10	6	2.1	M 4
P1212.060-080	6	80	10	6	2.1	M 4
P1212.060-090	6	90	10	6	2.1	M 4
P1212.080-016	8	16	12	8	2.6	M 5
P1212.080-020	8	20	12	8	2.6	M 5
P1212.080-024	8	24	12	8	2.6	M 5
P1212.080-028	8	28	12	8	2.6	M 5
P1212.080-030	8	30	12	8	2.6	M 5
P1212.080-032	8	32	12	8	2.6	M 5
P1212.080-036	8	36	12	8	2.6	M 5
P1212.080-040	8	40	12	8	2.6	M 5
P1212.080-045	8	45	12	8	2.6	M 5
P1212.080-050	8	50	12	8	2.6	M 5
P1212.080-055	8	55	12	8	2.6	M 5
P1212.080-060	8	60	12	8	2.6	M 5
P1212.080-070	8	70	12	8	2.6	M 5
P1212.080-080	8	80	12	8	2.6	M 5
P1212.080-090	8	90	12	8	2.6	M 5
P1212.080-100	8	100	12	8	2.6	M 5
P1212.100-016	10	16	16	10	3.0	M 6
P1212.100-018	10	18	16	10	3.0	M 6
P1212.100-020	10	20	16	10	3.0	M 6
P1212.100-024	10	24	16	10	3.0	M 6
P1212.100-028	10	28	16	10	3.0	M 6
P1212.100-030	10	30	16	10	3.0	M 6
P1212.100-032	10	32	16	10	3.0	M 6
P1212.100-036	10	36	16	10	3.0	M 6
P1212.100-040	10	40	16	10	3.0	M 6
P1212.100-045	10	45	16	10	3.0	M 6
P1212.100-050	10	50	16	10	3.0	M 6
P1212.100-055	10	55	16	10	3.0	M 6
P1212.100-060	10	60	16	10	3.0	M 6
P1212.100-070	10	70	16	10	3.0	M 6
P1212.100-080	10	80	16	10	3.0	M 6
P1212.100-090	10	90	16	10	3.0	M 6
P1212.100-100	10	100	16	10	3.0	M 6
P1212.100-120	10	120	16	10	3.0	M 6
P1212.120-020	12	20	16	10	3.8	M 6
P1212.120-024	12	24	16	10	3.8	M 6
P1212.120-028	12	28	16	10	3.8	M 6
P1212.120-030	12	30	16	10	3.8	M 6
P1212.120-032	12	32	16	10	3.8	M 6
P1212.120-036	12	36	16	10	3.8	M 6
P1212.120-040	12	40	16	10	3.8	M 6
P1212.120-045	12	45	16	10	3.8	M 6
P1212.120-050	12	50	16	10	3.8	M 6
P1212.120-055	12	55	16	10	3.8	M 6
P1212.120-060	12	60	16	10	3.8	M 6
P1212.120-070	12	70	16	10	3.8	M 6
P1212.120-080	12	80	16	10	3.8	M 6
P1212.120-090	12	90	16	10	3.8	M 6
P1212.120-100	12	100	16	10	3.8	M 6
P1212.120-120	12	120	16	10	3.8	M 6
P1212.140-028	14	28	20	12	4.0	M 8
P1212.140-030	14	30	20	12	4.0	M 8
P1212.140-032	14	32	20	12	4.0	M 8
P1212.140-036	14	36	20	12	4.0	M 8
P1212.140-040	14	40	20	12	4.0	M 8
P1212.140-045	14	45	20	12	4.0	M 8

DOWEL PINS

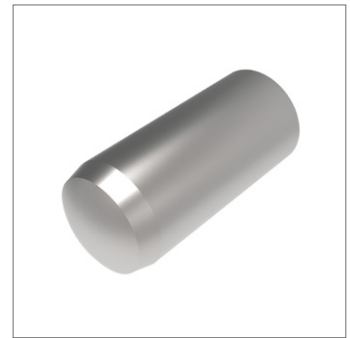
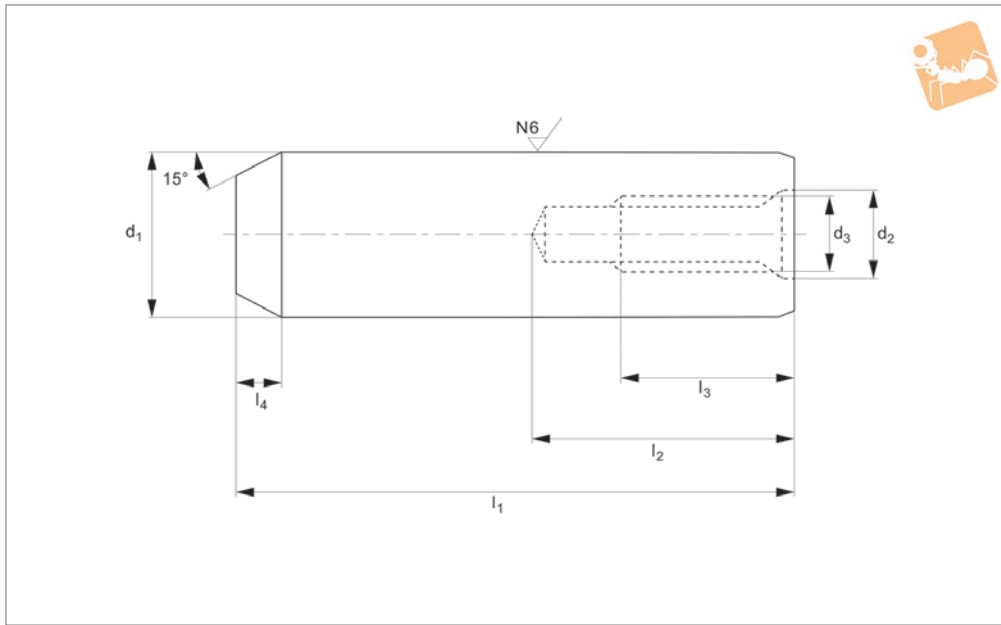
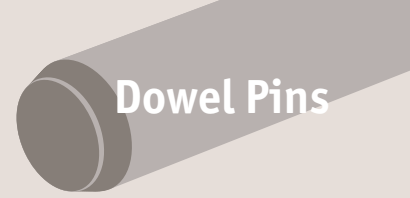


Order No.	d <sub>1</sub> m6	l <sub>1</sub> js15	l <sub>2</sub> min.	l <sub>3</sub>	l <sub>4</sub>	d <sub>2</sub>
P1212.140-050	14	50	20	12	4.0	M 8
P1212.140-055	14	55	20	12	4.0	M 8
P1212.140-060	14	60	20	12	4.0	M 8
P1212.140-070	14	70	20	12	4.0	M 8
P1212.140-080	14	80	20	12	4.0	M 8
P1212.140-090	14	90	20	12	4.0	M 8
P1212.140-100	14	100	20	12	4.0	M 8
P1212.140-120	14	120	20	12	4	M 8
P1212.160-032	16	32	20	12	4.7	M 8
P1212.160-036	16	36	20	12	4.7	M 8
P1212.160-040	16	40	20	12	4.7	M 8
P1212.160-045	16	45	20	12	4.7	M 8
P1212.160-050	16	50	20	12	4.7	M 8
P1212.160-055	16	55	20	12	4.7	M 8
P1212.160-060	16	60	20	12	4.7	M 8
P1212.160-070	16	70	20	12	4.7	M 8
P1212.160-080	16	80	20	12	4.7	M 8
P1212.160-090	16	90	20	12	4.7	M 8
P1212.160-100	16	100	20	12	4.7	M 8
P1212.160-120	16	120	20	12	4.7	M 8
P1212.200-032	20	32	25	16	6.0	M10
P1212.200-036	20	36	25	16	6.0	M10
P1212.200-040	20	40	25	16	6.0	M10
P1212.200-045	20	45	25	16	6.0	M10
P1212.200-050	20	50	25	16	6.0	M10
P1212.200-055	20	55	25	16	6.0	M10
P1212.200-060	20	60	25	16	6.0	M10
P1212.200-070	20	70	25	16	6.0	M10
P1212.200-080	20	80	25	16	6.0	M10
P1212.200-090	20	90	25	16	6.0	M10
P1212.200-100	20	100	25	16	6.0	M10
P1212.200-120	20	120	25	16	6.0	M10



# Stainless Extractable Dowel Pins

with air release



**P1213**

DOWEL PINS

**Material**

Stainless steel 1.4305

**Technical Notes**

To DIN 7979C. Ground flat along length for air release.

Order No.	d <sub>1</sub> tol. m6	l <sub>1</sub> tol. js15	l <sub>2</sub> min.	l <sub>3</sub>	l <sub>4</sub>	d <sub>2</sub>
P1213.040-010	4	10	7	4.5	1.3	M 2,5
P1213.040-012	4	12	7	4.5	1.3	M 2,5
P1213.040-014	4	14	7	4.5	1.3	M 2,5
P1213.040-016	4	16	7	4.5	1.3	M 2,5
P1213.040-018	4	18	7	4.5	1.3	M 2,5
P1213.040-020	4	20	7	4.5	1.3	M 2,5
P1213.040-024	4	24	7	4.5	1.3	M 2,5
P1213.040-028	4	28	7	4.5	1.3	M 2,5
P1213.040-030	4	30	7	4.5	1.3	M 2,5
P1213.040-032	4	32	7	4.5	1.3	M 2,5
P1213.040-036	4	36	7	4.5	1.3	M 2,5
P1213.040-040	4	40	7	4.5	1.3	M 2,5
P1213.040-045	4	45	7	4.5	1.3	M 2,5
P1213.040-050	4	50	7	4.5	1.3	M 2,5
P1213.050-010	5	10	7	4.5	1.7	M 3
P1213.050-012	5	12	7	4.5	1.7	M 3
P1213.050-014	5	14	7	4.5	1.7	M 3
P1213.050-016	5	16	7	4.5	1.7	M 3
P1213.050-018	5	18	7	4.5	1.7	M 3
P1213.050-020	5	20	7	4.5	1.7	M 3
P1213.050-024	5	24	7	4.5	1.7	M 3
P1213.050-028	5	28	7	4.5	1.7	M 3
P1213.050-030	5	30	7	4.5	1.7	M 3
P1213.050-032	5	32	7	4.5	1.7	M 3
P1213.050-036	5	36	7	4.5	1.7	M 3
P1213.050-040	5	40	7	4.5	1.7	M 3
P1213.050-045	5	45	7	4.5	1.7	M 3
P1213.050-050	5	50	7	4.5	1.7	M 3
P1213.060-012	6	12	10	6	2.1	M 4
P1213.060-014	6	14	10	6	2.1	M 4
P1213.060-016	6	16	10	6	2.1	M 4
P1213.060-018	6	18	10	6	2.1	M 4
P1213.060-020	6	20	10	6	2.1	M 4
P1213.060-024	6	24	10	6	2.1	M 4

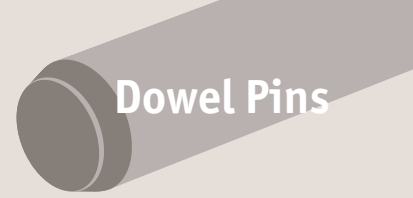


Order No.	d <sub>1</sub> tol. m6	l <sub>1</sub> tol. js15	l <sub>2</sub> min.	l <sub>3</sub>	l <sub>4</sub>	d <sub>2</sub>
P1213.060-028	6	28	10	6	2.1	M 4
P1213.060-030	6	30	10	6	2.1	M 4
P1213.060-032	6	32	10	6	2.1	M 4
P1213.060-036	6	36	10	6	2.1	M 4
P1213.060-040	6	40	10	6	2.1	M 4
P1213.060-045	6	45	10	6	2.1	M 4
P1213.060-050	6	50	10	6	2.1	M 4
P1213.060-055	6	55	10	6	2.1	M 4
P1213.060-060	6	60	10	6	2.1	M 4
P1213.060-070	6	70	10	6	2.1	M 4
P1213.060-080	6	80	10	6	2.1	M 4
P1213.060-090	6	90	10	6	2.1	M 4
P1213.080-016	8	16	12	8	2.6	M 5
P1213.080-020	8	20	12	8	2.6	M 5
P1213.080-024	8	24	12	8	2.6	M 5
P1213.080-028	8	28	12	8	2.6	M 5
P1213.080-030	8	30	12	8	2.6	M 5
P1213.080-032	8	32	12	8	2.6	M 5
P1213.080-036	8	36	12	8	2.6	M 5
P1213.080-040	8	40	12	8	2.6	M 5
P1213.080-045	8	45	12	8	2.6	M 5
P1213.080-050	8	50	12	8	2.6	M 5
P1213.080-055	8	55	12	8	2.6	M 5
P1213.080-060	8	60	12	8	2.6	M 5
P1213.080-070	8	70	12	8	2.6	M 5
P1213.080-080	8	80	12	8	2.6	M 5
P1213.080-090	8	90	12	8	2.6	M 5
P1213.080-100	8	100	12	8	2.6	M 5
P1213.100-016	10	16	16	10	3.0	M 6
P1213.100-018	10	18	16	10	3.0	M 6
P1213.100-020	10	20	16	10	3.0	M 6
P1213.100-024	10	24	16	10	3.0	M 6
P1213.100-028	10	28	16	10	3.0	M 6
P1213.100-030	10	30	16	10	3.0	M 6
P1213.100-032	10	32	16	10	3.0	M 6
P1213.100-036	10	36	16	10	3.0	M 6
P1213.100-040	10	40	16	10	3.0	M 6
P1213.100-045	10	45	16	10	3.0	M 6
P1213.100-050	10	50	16	10	3.0	M 6
P1213.100-055	10	55	16	10	3.0	M 6
P1213.100-060	10	60	16	10	3.0	M 6
P1213.100-070	10	70	16	10	3.0	M 6
P1213.100-080	10	80	16	10	3.0	M 6
P1213.100-090	10	90	16	10	3.0	M 6
P1213.100-100	10	100	16	10	3.0	M 6
P1213.100-120	10	120	16	10	3.0	M 6
P1213.120-020	12	20	16	10	3.8	M 6
P1213.120-024	12	24	16	10	3.8	M 6
P1213.120-028	12	28	16	10	3.8	M 6
P1213.120-030	12	30	16	10	3.8	M 6
P1213.120-032	12	32	16	10	3.8	M 6
P1213.120-036	12	36	16	10	3.8	M 6
P1213.120-040	12	40	16	10	3.8	M 6
P1213.120-045	12	45	16	10	3.8	M 6
P1213.120-050	12	50	16	10	3.8	M 6
P1213.120-055	12	55	16	10	3.8	M 6
P1213.120-060	12	60	16	10	3.8	M 6
P1213.120-070	12	70	16	10	3.8	M 6
P1213.120-080	12	80	16	10	3.8	M 6
P1213.120-090	12	90	16	10	3.8	M 6
P1213.120-100	12	100	16	10	3.8	M 6
P1213.120-120	12	120	16	10	3.8	M 6
P1213.140-028	14	28	20	12	4.0	M 8
P1213.140-030	14	30	20	12	4.0	M 8
P1213.140-032	14	32	20	12	4.0	M 8
P1213.140-036	14	36	20	12	4.0	M 8
P1213.140-040	14	40	20	12	4.0	M 8
P1213.140-045	14	45	20	12	4.0	M 8



# Stainless Extractable Dowel Pins

with air release



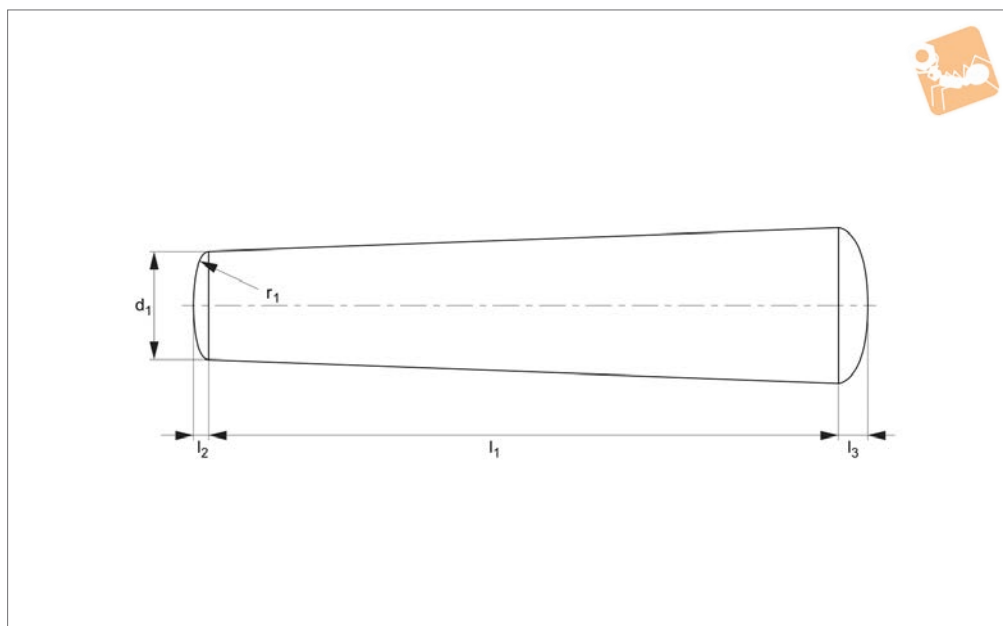
## Dowel Pins

Order No.	d <sub>1</sub> tol. m6	l <sub>1</sub> tol. js15	l <sub>2</sub> min.	l <sub>3</sub>	l <sub>4</sub>	d <sub>2</sub>
P1213.140-050	14	50	20	12	4.0	M 8
P1213.140-055	14	55	20	12	4.0	M 8
P1213.140-060	14	60	20	12	4.0	M 8
P1213.140-070	14	70	20	12	4.0	M 8
P1213.140-080	14	80	20	12	4.0	M 8
P1213.140-090	14	90	20	12	4.0	M 8
P1213.140-100	14	100	20	12	4.0	M 8
P1213.140-120	14	120	20	12	4	M 8
P1213.160-032	16	32	20	12	4.7	M 8
P1213.160-036	16	36	20	12	4.7	M 8
P1213.160-040	16	40	20	12	4.7	M 8
P1213.160-045	16	45	20	12	4.7	M 8
P1213.160-050	16	50	20	12	4.7	M 8
P1213.160-055	16	55	20	12	4.7	M 8
P1213.160-060	16	60	20	12	4.7	M 8
P1213.160-070	16	70	20	12	4.7	M 8
P1213.160-080	16	80	20	12	4.7	M 8
P1213.160-090	16	90	20	12	4.7	M 8
P1213.160-100	16	100	20	12	4.7	M 8
P1213.160-120	16	120	20	12	4.7	M 8
P1213.200-032	20	32	25	16	6.0	M10
P1213.200-036	20	36	25	16	6.0	M10
P1213.200-040	20	40	25	16	6.0	M10
P1213.200-045	20	45	25	16	6.0	M10
P1213.200-050	20	50	25	16	6.0	M10
P1213.200-055	20	55	25	16	6.0	M10
P1213.200-060	20	60	25	16	6.0	M10
P1213.200-070	20	70	25	16	6.0	M10
P1213.200-080	20	80	25	16	6.0	M10
P1213.200-090	20	90	25	16	6.0	M10
P1213.200-100	20	100	25	16	6.0	M10
P1213.200-120	20	120	25	16	6.0	M10

DOWEL PINS



## P1216



### Material

Mild steel (WS 1,0718 9SMnPb28K), ground finish.

### Technical Notes

To DIN 1B. The nominal diameter is always the smaller end  $d$  and the taper is 2%.

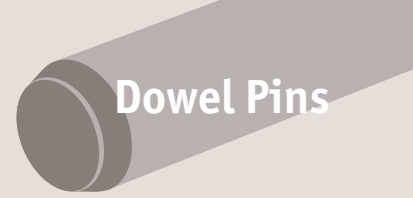
Order No.	$d_1$ tol. h10	$l_1$ js15	$l_2$ max.	$l_3$
P1216.015-006	1.5	6	0.23	1.5
P1216.015-008	1.5	8	0.23	1.5
P1216.015-010	1.5	10	0.23	1.5
P1216.015-012	1.5	12	0.23	1.5
P1216.015-014	1.5	14	0.23	1.5
P1216.015-016	1.5	16	0.23	1.5
P1216.015-018	1.5	18	0.23	1.5
P1216.015-020	1.5	20	0.23	1.5
P1216.015-024	1.5	24	0.23	1.5
P1216.015-028	1.5	28	0.23	1.5
P1216.015-030	1.5	30	0.23	1.5
P1216.020-006	2.0	6	0.3	2
P1216.020-008	2.0	8	0.3	2
P1216.020-010	2.0	10	0.3	2
P1216.020-012	2.0	12	0.3	2
P1216.020-014	2.0	14	0.3	2
P1216.020-016	2.0	16	0.3	2
P1216.020-018	2.0	18	0.3	2
P1216.020-020	2.0	20	0.3	2
P1216.020-024	2.0	24	0.3	2
P1216.020-028	2.0	28	0.3	2
P1216.020-030	2.0	30	0.3	2
P1216.020-032	2.0	32	0.3	2
P1216.020-036	2.0	36	0.3	2
P1216.020-040	2.0	40	0.3	2
P1216.020-045	2.0	45	0.3	2
P1216.020-050	2.0	50	0.3	2
P1216.025-006	2.5	6	0.4	2.5
P1216.025-008	2.5	8	0.4	2.5
P1216.025-010	2.5	10	0.4	2.5
P1216.025-012	2.5	12	0.4	2.5
P1216.025-014	2.5	14	0.4	2.5
P1216.025-016	2.5	16	0.4	2.5
P1216.025-018	2.5	18	0.4	2.5





# Taper Pins

Steel



# Dowel Pins

Order No.	$d_1$ tol. h10	$l_1$ js15	$l_2$ max.	$l_3$
P1216.025-020	2.5	20	0.4	2.5
P1216.025-024	2.5	24	0.4	2.5
P1216.025-028	2.5	28	0.4	2.5
P1216.025-030	2.5	30	0.4	2.5
P1216.025-032	2.5	32	0.4	2.5
P1216.025-036	2.5	36	0.4	2.5
P1216.025-040	2.5	40	0.4	2.5
P1216.025-045	2.5	45	0.4	2.5
P1216.025-050	2.5	50	0.4	2.5
P1216.030-006	3.0	6	0.45	3
P1216.030-008	3.0	8	0.45	3
P1216.030-010	3.0	10	0.45	3
P1216.030-012	3.0	12	0.45	3
P1216.030-014	3.0	14	0.45	3
P1216.030-016	3.0	16	0.45	3
P1216.030-018	3.0	18	0.45	3
P1216.030-020	3.0	20	0.45	3
P1216.030-024	3.0	24	0.45	3
P1216.030-028	3.0	28	0.45	3
P1216.030-030	3.0	30	0.45	3
P1216.030-032	3.0	32	0.45	3
P1216.030-036	3.0	36	0.45	3
P1216.030-040	3.0	40	0.45	3
P1216.030-045	3.0	45	0.45	3
P1216.030-050	3.0	50	0.45	3
P1216.030-055	3.0	55	0.45	3
P1216.030-060	3.0	60	0.45	3
P1216.030-065	3.0	65	0.45	3
P1216.030-070	3.0	70	0.45	3
P1216.030-080	3.0	80	0.45	3
P1216.030-090	3.0	90	0.45	3
P1216.030-100	3.0	100	0.45	3
P1216.040-006	4.0	6	0.6	4
P1216.040-008	4.0	8	0.6	4
P1216.040-010	4.0	10	0.6	4
P1216.040-012	4.0	12	0.6	4
P1216.040-014	4.0	14	0.6	4
P1216.040-016	4.0	16	0.6	4
P1216.040-018	4.0	18	0.6	4
P1216.040-020	4.0	20	0.6	4
P1216.040-024	4.0	24	0.6	4
P1216.040-028	4.0	28	0.6	4
P1216.040-030	4.0	30	0.6	4
P1216.040-032	4.0	32	0.6	4
P1216.040-036	4.0	36	0.6	4
P1216.040-040	4.0	40	0.6	4
P1216.040-045	4.0	45	0.6	4
P1216.040-050	4.0	50	0.6	4
P1216.040-055	4.0	55	0.6	4
P1216.040-060	4.0	60	0.6	4
P1216.040-065	4.0	65	0.6	4
P1216.040-070	4.0	70	0.6	4
P1216.040-080	4.0	80	0.6	4
P1216.040-090	4.0	90	0.6	4
P1216.040-100	4.0	100	0.6	4
P1216.050-010	5.0	10	0.75	5
P1216.050-012	5.0	12	0.75	5
P1216.050-014	5.0	14	0.75	5
P1216.050-016	5.0	16	0.75	5
P1216.050-018	5.0	18	0.75	5
P1216.050-020	5.0	20	0.75	5
P1216.050-024	5.0	24	0.75	5
P1216.050-028	5.0	28	0.75	5
P1216.050-030	5.0	30	0.75	5
P1216.050-032	5.0	32	0.75	5
P1216.050-036	5.0	36	0.75	5
P1216.050-040	5.0	40	0.75	5
P1216.050-045	5.0	45	0.75	5

DOWEL PINS



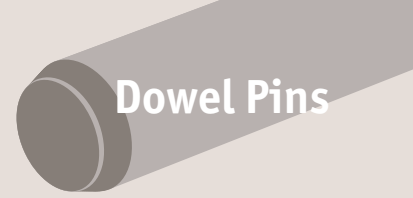
DOWEL PINS

Order No.	d <sub>1</sub> tol. h10	l <sub>1</sub> js15	l <sub>2</sub> max.	l <sub>3</sub>
P1216.050-050	5.0	50	0.75	5
P1216.050-055	5.0	55	0.75	5
P1216.050-060	5.0	60	0.75	5
P1216.050-065	5.0	65	0.75	5
P1216.050-070	5.0	70	0.75	5
P1216.050-080	5.0	80	0.75	5
P1216.050-090	5.0	90	0.75	5
P1216.050-100	5.0	100	0.75	5
P1216.060-010	6.0	10	0.9	6
P1216.060-012	6.0	12	0.9	6
P1216.060-014	6.0	14	0.9	6
P1216.060-016	6.0	16	0.9	6
P1216.060-018	6.0	18	0.9	6
P1216.060-020	6.0	20	0.9	6
P1216.060-024	6.0	24	0.9	6
P1216.060-028	6.0	28	0.9	6
P1216.060-030	6.0	30	0.9	6
P1216.060-032	6.0	32	0.9	6
P1216.060-036	6.0	36	0.9	6
P1216.060-040	6.0	40	0.9	6
P1216.060-045	6.0	45	0.9	6
P1216.060-050	6.0	50	0.9	6
P1216.060-055	6.0	55	0.9	6
P1216.060-060	6.0	60	0.9	6
P1216.060-065	6.0	65	0.9	6
P1216.060-070	6.0	70	0.9	6
P1216.060-080	6.0	80	0.9	6
P1216.060-090	6.0	90	0.9	6
P1216.060-100	6.0	100	0.9	6
P1216.080-020	8.0	20	1.0	8
P1216.080-024	8.0	24	1.0	8
P1216.080-028	8.0	28	1.0	8
P1216.080-030	8.0	30	1.0	8
P1216.080-032	8.0	32	1.0	8
P1216.080-036	8.0	36	1.0	8
P1216.080-040	8.0	40	1.0	8
P1216.080-045	8.0	45	1.0	8
P1216.080-050	8.0	50	1.0	8
P1216.080-055	8.0	55	1.0	8
P1216.080-060	8.0	60	1.0	8
P1216.080-065	8.0	65	1.0	8
P1216.080-070	8.0	70	1.0	8
P1216.080-080	8.0	80	1.0	8
P1216.080-090	8.0	90	1.0	8
P1216.080-100	8.0	100	1.0	8
P1216.100-028	10.0	28	1.2	10
P1216.100-030	10.0	30	1.2	10
P1216.100-032	10.0	32	1.2	10
P1216.100-036	10.0	36	1.2	10
P1216.100-040	10.0	40	1.2	10
P1216.100-045	10.0	45	1.2	10
P1216.100-050	10.0	50	1.2	10
P1216.100-055	10.0	55	1.2	10
P1216.100-060	10.0	60	1.2	10
P1216.100-065	10.0	65	1.2	10
P1216.100-070	10.0	70	1.2	10
P1216.100-080	10.0	80	1.2	10
P1216.100-090	10.0	90	1.2	10
P1216.100-100	10.0	100	1.2	10
P1216.100-110	10.0	110	1.2	10
P1216.100-120	10.0	120	1.2	10
P1216.100-130	10.0	130	1.2	10
P1216.120-030	12.0	30	1.6	12
P1216.120-032	12.0	32	1.6	12
P1216.120-036	12.0	36	1.6	12
P1216.120-040	12.0	40	1.6	12
P1216.120-045	12.0	45	1.6	12
P1216.120-050	12.0	50	1.6	12



# Taper Pins

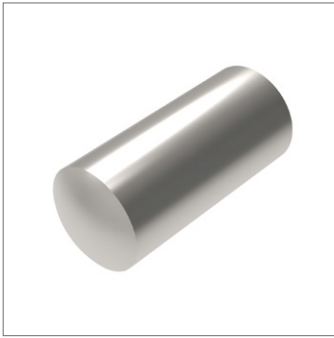
Steel



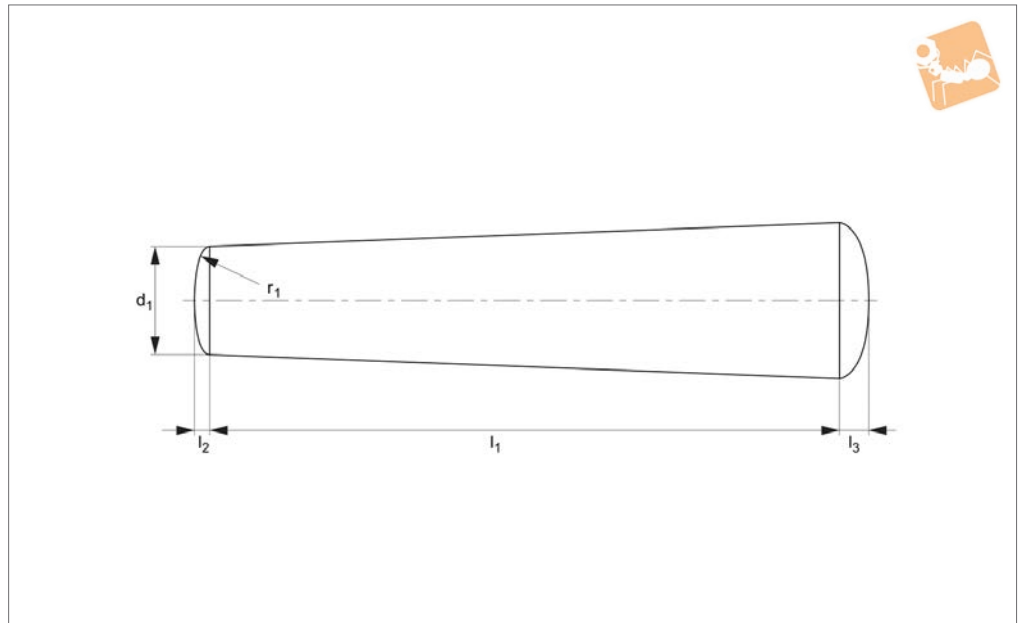
# Dowel Pins

Order No.	d <sub>1</sub> tol. h10	l <sub>1</sub> js15	l <sub>2</sub> max.	l <sub>3</sub>
P1216.120-055	12.0	55	1.6	12
P1216.120-060	12.0	60	1.6	12
P1216.120-065	12.0	65	1.6	12
P1216.120-070	12.0	70	1.6	12
P1216.120-080	12.0	80	1.6	12
P1216.120-090	12.0	90	1.6	12
P1216.120-100	12.0	100	1.6	12
P1216.120-110	12.0	110	1.6	12
P1216.120-120	12.0	120	1.6	12
P1216.120-130	12.0	130	1.6	12
P1216.140-036	14.0	36	1.6	14
P1216.140-040	14.0	40	1.6	14
P1216.140-045	14.0	45	1.6	14
P1216.140-050	14.0	50	1.6	14
P1216.140-055	14.0	55	1.6	14
P1216.140-060	14.0	60	1.6	14
P1216.140-065	14.0	65	1.6	14
P1216.140-070	14.0	70	1.6	14
P1216.140-080	14.0	80	1.6	14
P1216.140-090	14.0	90	1.6	14
P1216.140-100	14.0	100	1.6	14
P1216.140-110	14.0	110	1.6	14
P1216.140-120	14.0	120	1.6	14
P1216.140-130	14.0	130	1.6	14
P1216.140-140	14.0	140	1.6	14
P1216.140-150	14.0	150	1.6	14
P1216.160-036	16.0	36	2.0	16
P1216.160-040	16.0	40	2.0	16
P1216.160-045	16.0	45	2.0	16
P1216.160-050	16.0	50	2.0	16
P1216.160-055	16.0	55	2.0	16
P1216.160-060	16.0	60	2.0	16
P1216.160-065	16.0	65	2.0	16
P1216.160-070	16.0	70	2.0	16
P1216.160-080	16.0	80	2.0	16
P1216.160-090	16.0	90	2.0	16
P1216.160-100	16.0	100	2.0	16
P1216.160-110	16.0	110	2.0	16
P1216.160-120	16.0	120	2.0	16
P1216.160-130	16.0	130	2.0	16
P1216.160-140	16.0	140	2.0	16
P1216.160-150	16.0	150	2.0	16
P1216.200-040	20.0	40	2.5	20
P1216.200-045	20.0	45	2.5	20
P1216.200-050	20.0	50	2.5	20
P1216.200-055	20.0	55	2.5	20
P1216.200-060	20.0	60	2.5	20
P1216.200-065	20.0	65	2.5	20
P1216.200-070	20.0	70	2.5	20
P1216.200-080	20.0	80	2.5	20
P1216.200-090	20.0	90	2.5	20
P1216.200-100	20.0	100	2.5	20
P1216.200-110	20.0	110	2.5	20
P1216.200-120	20.0	120	2.5	20
P1216.200-130	20.0	130	2.5	20
P1216.200-140	20.0	140	2.5	20
P1216.200-150	20.0	150	2.5	20

DOWEL PINS



## P1216.A2



### Material

Stainless steel (A2, AISI 303).

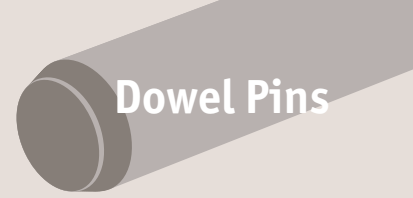
### Technical Notes

To DIN 1B. The nominal diameter is always the smaller end  $d$  and the taper is 2%.

Order No.	$d_1$ tol. h10	$l_1$ js15	$l_2$ max.	$r_1$
P1216.020-010-A2	2.0	10	0.3	2
P1216.020-012-A2	2.0	12	0.3	2
P1216.020-016-A2	2.0	16	0.3	2
P1216.020-020-A2	2.0	20	0.3	2
P1216.025-014-A2	2.5	14	0.4	2.5
P1216.025-016-A2	2.5	16	0.4	2.5
P1216.025-020-A2	2.5	20	0.4	2.5
P1216.025-024-A2	2.5	24	0.4	2.5
P1216.030-014-A2	3.0	14	0.45	3
P1216.030-016-A2	3.0	16	0.45	3
P1216.030-018-A2	3.0	18	0.45	3
P1216.030-020-A2	3.0	20	0.45	3
P1216.030-022-A2	3.0	22	0.45	3
P1216.030-024-A2	3.0	24	0.45	3
P1216.030-026-A2	3.0	26	0.45	3
P1216.030-028-A2	3.0	28	0.45	3
P1216.030-030-A2	3.0	30	0.45	3
P1216.030-036-A2	3.0	36	0.45	3
P1216.030-040-A2	3.0	40	0.45	3
P1216.030-050-A2	3.0	50	0.45	3
P1216.040-016-A2	4.0	16	0.6	4
P1216.040-018-A2	4.0	18	0.6	4
P1216.040-020-A2	4.0	20	0.6	4
P1216.040-022-A2	4.0	22	0.6	4
P1216.040-024-A2	4.0	24	0.6	4
P1216.040-026-A2	4.0	26	0.6	4
P1216.040-028-A2	4.0	28	0.6	4
P1216.040-030-A2	4.0	30	0.6	4
P1216.040-032-A2	4.0	32	0.6	4
P1216.040-036-A2	4.0	36	0.6	4
P1216.040-040-A2	4.0	40	0.6	4
P1216.040-045-A2	4.0	45	0.6	4
P1216.040-050-A2	4.0	50	0.6	4
P1216.040-060-A2	4.0	60	0.6	4



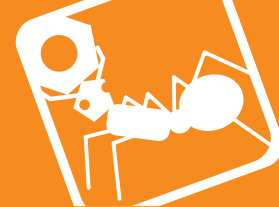
# Taper Pins A2



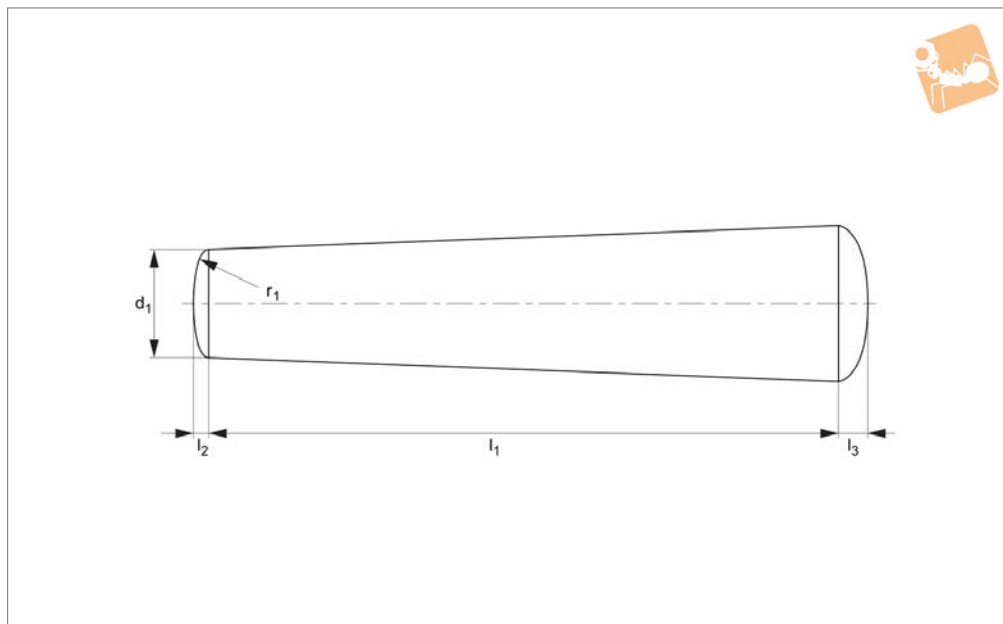
## Dowel Pins

Order No.	$d_1$ tol. h10	$l_1$ js15	$l_2$ max.	$r_1$
P1216.050-016-A2	5.0	16	0.75	5
P1216.050-020-A2	5.0	20	0.75	5
P1216.050-024-A2	5.0	24	0.75	5
P1216.050-026-A2	5.0	26	0.75	5
P1216.050-030-A2	5.0	30	0.75	5
P1216.050-032-A2	5.0	32	0.75	5
P1216.050-036-A2	5.0	36	0.75	5
P1216.050-040-A2	5.0	40	0.75	5
P1216.050-045-A2	5.0	45	0.75	5
P1216.050-050-A2	5.0	50	0.75	5
P1216.050-055-A2	5.0	55	0.75	5
P1216.050-060-A2	5.0	60	0.75	5
P1216.050-070-A2	5.0	70	0.75	5
P1216.060-024-A2	6.0	24	0.9	6
P1216.060-026-A2	6.0	26	0.9	6
P1216.060-030-A2	6.0	30	0.9	6
P1216.060-032-A2	6.0	32	0.9	6
P1216.060-036-A2	6.0	36	0.9	6
P1216.060-040-A2	6.0	40	0.9	6
P1216.060-045-A2	6.0	45	0.9	6
P1216.060-050-A2	6.0	50	0.9	6
P1216.060-055-A2	6.0	55	0.9	6
P1216.060-060-A2	6.0	60	0.9	6
P1216.060-070-A2	6.0	70	0.9	6
P1216.060-080-A2	6.0	80	0.9	6
P1216.080-040-A2	8.0	40	1.2	8
P1216.080-045-A2	8.0	45	1.2	8
P1216.080-050-A2	8.0	50	1.2	8
P1216.080-055-A2	8.0	55	1.2	8
P1216.080-060-A2	8.0	60	1.2	8
P1216.080-070-A2	8.0	70	1.2	8
P1216.080-080-A2	8.0	80	1.2	8
P1216.080-090-A2	8.0	90	1.2	8
P1216.080-100-A2	8.0	100	1.2	8
P1216.100-032-A2	10.0	32	1.5	10
P1216.100-036-A2	10.0	36	1.5	10
P1216.100-040-A2	10.0	40	1.5	10
P1216.100-045-A2	10.0	45	1.5	10
P1216.100-050-A2	10.0	50	1.5	10
P1216.100-060-A2	10.0	60	1.5	10
P1216.100-070-A2	10.0	70	1.5	10
P1216.100-080-A2	10.0	80	1.5	10
P1216.100-090-A2	10.0	90	1.5	10
P1216.100-100-A2	10.0	100	1.5	10

DOWEL PINS



## P1216.A4



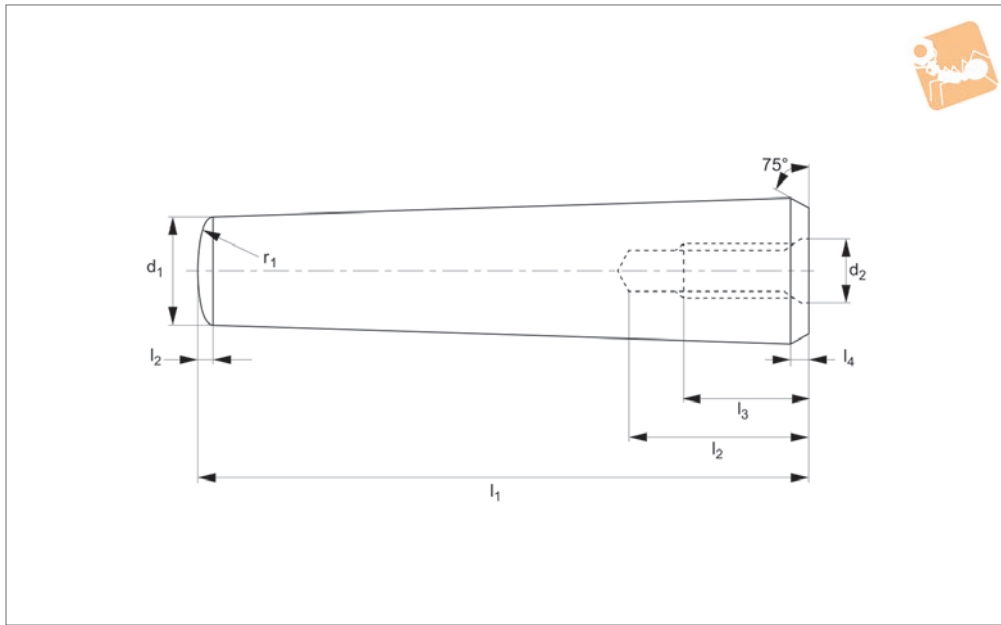
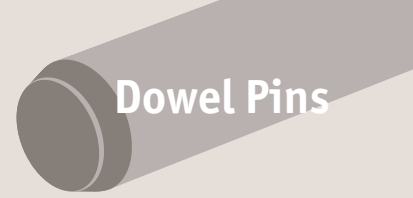
### Material

Stainless steel (A4, AISI 316).

### Technical Notes

To DIN 1B. The nominal diameter is always the smaller end  $d$  and the taper is 2%.

Order No.	$d_1$ tol. h10	$l_1$ js15	$l_2$ max.	$r_1$
P1216.040-030-A4	4.0	30	0.6	4
P1216.040-036-A4	4.0	36	0.6	4
P1216.040-040-A4	4.0	40	0.6	4
P1216.040-050-A4	4.0	50	0.6	4
P1216.040-060-A4	4.0	60	0.6	4
P1216.050-030-A4	5.0	30	0.75	5
P1216.050-032-A4	5.0	32	0.75	5
P1216.050-036-A4	5.0	36	0.75	5
P1216.050-040-A4	5.0	40	0.75	5
P1216.050-045-A4	5.0	45	0.75	5
P1216.050-050-A4	5.0	50	0.75	5
P1216.050-060-A4	5.0	60	0.75	5
P1216.050-070-A4	5.0	70	0.75	5
P1216.060-030-A4	6.0	30	0.9	6
P1216.060-032-A4	6.0	32	0.9	6
P1216.060-036-A4	6.0	36	0.9	6
P1216.060-040-A4	6.0	40	0.9	6
P1216.060-050-A4	6.0	50	0.9	6
P1216.060-060-A4	6.0	60	0.9	6
P1216.060-070-A4	6.0	70	0.9	6
P1216.060-080-A4	6.0	80	0.9	6
P1216.080-040-A4	8.0	40	1.2	8
P1216.080-045-A4	8.0	45	1.2	8
P1216.080-050-A4	8.0	50	1.2	8
P1216.080-060-A4	8.0	60	1.2	8
P1216.080-070-A4	8.0	70	1.2	8
P1216.080-080-A4	8.0	80	1.2	8
P1216.080-090-A4	8.0	90	1.2	8
P1216.100-050-A4	10.0	50	1.5	10
P1216.100-060-A4	10.0	60	1.5	10
P1216.100-070-A4	10.0	70	1.5	10
P1216.100-080-A4	10.0	80	1.5	10
P1216.100-090-A4	10.0	90	1.5	10



### P1218

DOWEL PINS

#### Material

Mild steel (WS 1.0718, 9SMnPb28K), ground finish.

#### Technical Notes

To DIN 7978 (ISO 8736). The nominal diameter is always the smaller end  $d_1$  and

the taper is 2%.

Order No.	$d_1$	$l_1$ js15	$l_2$	$l_3$	$l_4$	$d_2$
P1218.060-016	6	16	10	6	0.8	M 4
P1218.060-018	6	18	10	6	0.8	M 4
P1218.060-020	6	20	10	6	0.8	M 4
P1218.060-024	6	24	10	6	0.8	M 4
P1218.060-026	6	26	10	6	0.8	M 4
P1218.060-028	6	28	10	6	0.8	M 4
P1218.060-030	6	30	10	6	0.8	M 4
P1218.060-032	6	32	10	6	0.8	M 4
P1218.060-036	6	36	10	6	0.8	M 4
P1218.060-040	6	40	10	6	0.8	M 4
P1218.060-045	6	45	10	6	0.8	M 4
P1218.060-050	6	50	10	6	0.8	M 4
P1218.060-055	6	55	10	6	0.8	M 4
P1218.060-060	6	60	10	6	0.8	M 4
P1218.060-070	6	70	10	6	0.8	M 4
P1218.060-090	6	90	10	6	0.8	M 4
P1218.080-020	8	20	12	8	1	M 5
P1218.080-024	8	24	12	8	1	M 5
P1218.080-026	8	26	12	8	1	M 5
P1218.080-028	8	28	12	8	1	M 5
P1218.080-030	8	30	12	8	1	M 5
P1218.080-032	8	32	12	8	1	M 5
P1218.080-036	8	36	12	8	1	M 5
P1218.080-040	8	40	12	8	1	M 5
P1218.080-045	8	45	12	8	1	M 5
P1218.080-050	8	50	12	8	1	M 5
P1218.080-055	8	55	12	8	1	M 5
P1218.080-060	8	60	12	8	1	M 5
P1218.080-070	8	70	12	8	1	M 5
P1218.080-090	8	90	12	8	1	M 5
P1218.080-100	8	100	12	8	1	M 5
P1218.080-110	8	110	12	8	1	M 5
P1218.080-120	8	120	12	8	1	M 5
P1218.100-024	10	24	16	10	1.2	M 6



DOWEL PINS

Order No.	d <sub>1</sub>	l <sub>1</sub> js15	l <sub>2</sub>	l <sub>3</sub>	l <sub>4</sub>	d <sub>2</sub>
P1218.100-026	10	26	16	10	1.2	M 6
P1218.100-028	10	28	16	10	1.2	M 6
P1218.100-030	10	30	16	10	1.2	M 6
P1218.100-032	10	32	16	10	1.2	M 6
P1218.100-036	10	36	16	10	1.2	M 6
P1218.100-040	10	40	16	10	1.2	M 6
P1218.100-045	10	45	16	10	1.2	M 6
P1218.100-050	10	50	16	10	1.2	M 6
P1218.100-055	10	55	16	10	1.2	M 6
P1218.100-060	10	60	16	10	1.2	M 6
P1218.100-070	10	70	16	10	1.2	M 6
P1218.100-090	10	90	16	10	1.2	M 6
P1218.100-100	10	100	16	10	1.2	M 6
P1218.100-110	10	110	16	10	1.2	M 6
P1218.100-120	10	120	16	10	1.2	M 6
P1218.120-032	12	32	20	12	1.6	M 8
P1218.120-036	12	36	20	12	1.6	M 8
P1218.120-040	12	40	20	12	1.6	M 8
P1218.120-045	12	45	20	12	1.6	M 8
P1218.120-050	12	50	20	12	1.6	M 8
P1218.120-055	12	55	20	12	1.6	M 8
P1218.120-060	12	60	20	12	1.6	M 8
P1218.120-070	12	70	20	12	1.6	M 8
P1218.120-090	12	90	20	12	1.6	M 8
P1218.120-100	12	100	20	12	1.6	M 8
P1218.120-110	12	110	20	12	1.6	M 8
P1218.120-120	12	120	20	12	1.6	M 8
P1218.140-040	14	40	20	12	1.6	M 8
P1218.140-045	14	45	20	12	1.6	M 8
P1218.140-050	14	50	20	12	1.6	M 8
P1218.140-055	14	55	20	12	1.6	M 8
P1218.140-060	14	60	20	12	1.6	M 8
P1218.140-070	14	70	20	12	1.6	M 8
P1218.140-090	14	90	20	12	1.6	M 8
P1218.140-100	14	100	20	12	1.6	M 8
P1218.140-110	14	110	20	12	1.6	M 8
P1218.140-120	14	120	20	12	1.6	M 8
P1218.160-040	16	40	25	16	2	M10
P1218.160-045	16	45	25	16	2	M10
P1218.160-050	16	50	25	16	2	M10
P1218.160-055	16	55	25	16	2	M10
P1218.160-060	16	60	25	16	2	M10
P1218.160-070	16	70	25	16	2	M10
P1218.160-090	16	90	25	16	2	M10
P1218.160-100	16	100	25	16	2	M10
P1218.160-110	16	110	25	16	2	M10
P1218.160-120	16	120	25	16	2	M10
P1218.200-040	20	40	27	18	2.5	M12
P1218.200-045	20	45	27	18	2.5	M12
P1218.200-050	20	50	27	18	2.5	M12
P1218.200-055	20	55	27	18	2.5	M12
P1218.200-060	20	60	27	18	2.5	M12
P1218.200-070	20	70	27	18	2.5	M12
P1218.200-090	20	90	27	18	2.5	M12
P1218.200-100	20	100	27	18	2.5	M12
P1218.200-110	20	110	27	18	2.5	M12
P1218.200-120	20	120	27	18	2.5	M12