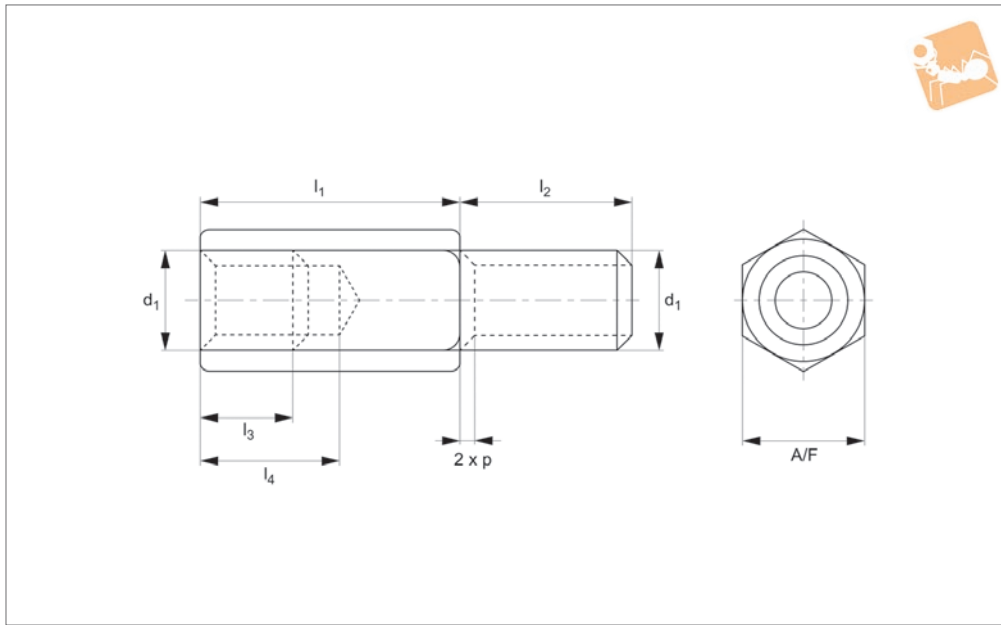
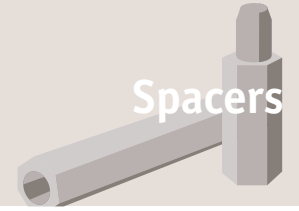




# Steel Hexagonal Pillars

Steel - zinc-plated



**P0061.ZP**

SPACERS

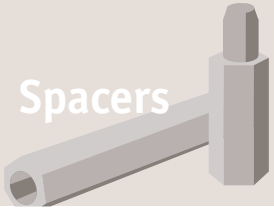
### Material

Mild steel, zinc-plated.

### Technical Notes

$l_4 = (l_3 + >1\text{mm})$ .

Order No.	$d_1$	$l_1$ tol. js13	$l_2$	$l_3$	A/F
P0061.025-005-ZP	M2,5	5	6	2.5	5
P0061.025-008-ZP	M2,5	8	6	5.5	5
P0061.025-010-ZP	M2,5	10	6	5.5	5
P0061.025-012-ZP	M2,5	12	6	7.0	5
P0061.025-015-ZP	M2,5	15	6	7.0	5
P0061.025-020-ZP	M2,5	20	6	7.0	5
P0061.025-025-ZP	M2,5	25	6	7.0	5
P0061.030-005-ZP	M 3	5	6	2.5	5.5
P0061.030-008-ZP	M 3	8	6	5.0	5.5
P0061.030-010-ZP	M 3	10	6	5.0	5.5
P0061.030-012-ZP	M 3	12	6	6.5	5.5
P0061.030-015-ZP	M 3	15	6	7.5	5.5
P0061.030-018-ZP	M 3	18	6	8.0	5.5
P0061.030-020-ZP	M 3	20	6	7.0	5.5
P0061.030-025-ZP	M 3	25	6	7.0	5.5
P0061.030-030-ZP	M 3	30	6	7.0	5.5
P0061.030-035-ZP	M 3	35	6	7.0	5.5
P0061.030-040-ZP	M 3	40	6	7.0	5.5
P0061.030-045-ZP	M 3	45	6	7.0	5.5
P0061.030-050-ZP	M 3	50	6	7.0	5.5
P0061.030-060-ZP	M 3	60	6	7.0	5.5
P0061.030-070-ZP	M 3	70	6	7.0	5.5
P0061.030-080-ZP	M 3	80	6	7.0	5.5
P0061.040-005-ZP	M 4	5	8	2.3	7
P0061.040-008-ZP	M 4	8	8	4.5	7
P0061.040-010-ZP	M 4	10	8	6.0	7
P0061.040-012-ZP	M 4	12	8	8.0	7
P0061.040-015-ZP	M 4	15	8	9.0	7
P0061.040-018-ZP	M 4	18	8	9.0	7
P0061.040-020-ZP	M 4	20	8	9.0	7
P0061.040-025-ZP	M 4	25	8	9.0	7
P0061.040-030-ZP	M 4	30	8	9.0	7
P0061.040-035-ZP	M 4	35	8	9.0	7
P0061.040-040-ZP	M 4	40	8	9.0	7



# Steel Hexagonal Pillars

Steel - zinc-plated



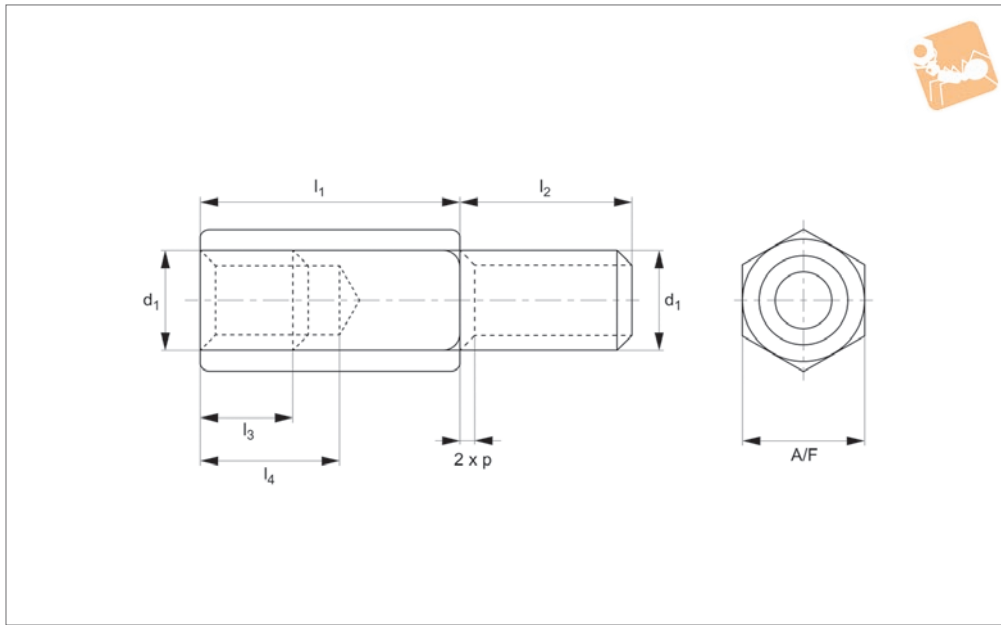
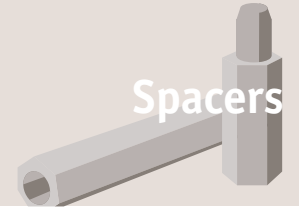
SPACERS

Order No.	d <sub>1</sub>	l <sub>1</sub> tol. js13	l <sub>2</sub>	l <sub>3</sub>	A/F
P0061.040-045-ZP	M 4	45	8	9.0	7
P0061.040-050-ZP	M 4	50	8	9.0	7
P0061.040-055-ZP	M 4	55	8	9.0	7
P0061.040-060-ZP	M 4	60	8	9.0	7
P0061.040-070-ZP	M 4	70	8	9.0	7
P0061.040-080-ZP	M 4	80	8	9.0	7
P0061.050-008-ZP	M 5	8	10	5.0	8
P0061.050-010-ZP	M 5	10	10	5.5	8
P0061.050-012-ZP	M 5	12	10	8.0	8
P0061.050-015-ZP	M 5	15	10	9.0	8
P0061.050-018-ZP	M 5	18	10	10.0	8
P0061.050-020-ZP	M 5	20	10	11.0	8
P0061.050-025-ZP	M 5	25	10	11.0	8
P0061.050-030-ZP	M 5	30	10	11.0	8
P0061.050-035-ZP	M 5	35	10	11.0	8
P0061.050-040-ZP	M 5	40	10	11.0	8
P0061.050-045-ZP	M 5	45	10	11.0	8
P0061.050-050-ZP	M 5	50	10	11.0	8
P0061.050-055-ZP	M 5	55	10	11.0	8
P0061.050-060-ZP	M 5	60	10	11.0	8
P0061.050-070-ZP	M 5	70	10	11.0	8
P0061.050-080-ZP	M 5	80	10	11.0	8
P0061.060-010-ZP	M 6	10	12	6.0	10
P0061.060-012-ZP	M 6	12	12	6.0	10
P0061.060-015-ZP	M 6	15	12	11.0	10
P0061.060-018-ZP	M 6	18	12	12.0	10
P0061.060-020-ZP	M 6	20	12	12.0	10
P0061.060-025-ZP	M 6	25	12	12.0	10
P0061.060-030-ZP	M 6	30	12	12.0	10
P0061.060-035-ZP	M 6	35	12	12.0	10
P0061.060-040-ZP	M 6	40	12	12.0	10
P0061.060-045-ZP	M 6	45	12	12.0	10
P0061.060-050-ZP	M 6	50	12	12.0	10
P0061.060-055-ZP	M 6	55	12	12.0	10
P0061.060-060-ZP	M 6	60	12	12.0	10
P0061.060-070-ZP	M 6	70	12	12.0	10
P0061.060-080-ZP	M 6	80	12	12.0	10
P0061.080-010-ZP	M 8	10	14	6.0	13
P0061.080-015-ZP	M 8	15	14	8.0	13
P0061.080-018-ZP	M 8	18	14	12.0	13
P0061.080-020-ZP	M 8	20	14	12.0	13
P0061.080-025-ZP	M 8	25	14	15.0	13
P0061.080-030-ZP	M 8	30	14	15.0	13
P0061.080-035-ZP	M 8	35	14	15.0	13
P0061.080-040-ZP	M 8	40	14	15.0	13
P0061.080-045-ZP	M 8	45	14	15.0	13
P0061.080-050-ZP	M 8	50	14	15.0	13
P0061.080-060-ZP	M 8	60	14	15.0	13
P0061.080-070-ZP	M 8	70	14	15.0	13
P0061.080-080-ZP	M 8	80	14	15.0	13



# Stainless Hexagonal Pillars

303 stainless



**P0061.A2**

SPACERS

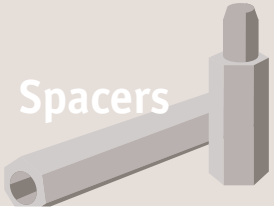
**Material**

Stainless steel (AISI 303, 1.4305)

**Technical Notes**

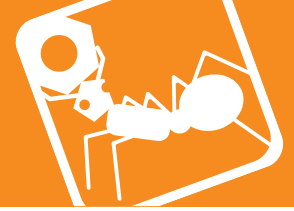
$l_4 = (l_3 + >1\text{mm})$ .

Order No.	d <sub>1</sub>	l <sub>1</sub> tol. js13	l <sub>2</sub>	l <sub>3</sub>	A/F
P0061.025-005-A2	M2,5	5	6	2.5	5
P0061.025-010-A2	M2,5	10	6	7.0	5
P0061.025-012-A2	M2,5	12	6	7.0	5
P0061.025-016-A2	M2,5	16	6	7.0	5
P0061.030-005-A2	M 3	5	8	2.5	5.5
P0061.030-008-A2	M 3	8	6	5.0	5.5
P0061.030-010-A2	M 3	10	8	6.5	5.5
P0061.030-012-A2	M 3	12	8	7.0	5.5
P0061.030-015-A2	M 3	15	8	8.0	5.5
P0061.030-018-A2	M 3	18	8	7.0	5.5
P0061.030-020-A2	M 3	20	8	7.0	5.5
P0061.030-025-A2	M 3	25	8	7.0	5.5
P0061.030-030-A2	M 3	30	8	7.0	5.5
P0061.030-035-A2	M 3	35	8	7.0	5.5
P0061.030-040-A2	M 3	40	8	7.0	5.5
P0061.030-045-A2	M 3	45	8	7.0	5.5
P0061.030-050-A2	M 3	50	8	7.0	5.5
P0061.030-055-A2	M 3	55	8	7.0	5.5
P0061.030-060-A2	M 3	60	8	7.0	5.5
P0061.030-070-A2	M 3	70	8	7.0	5.5
P0061.040-006-A2	M 4	6	8	3.5	7
P0061.040-008-A2	M 4	8	8	4.5	7
P0061.040-010-A2	M 4	10	8	6.0	7
P0061.040-015-A2	M 4	15	8	9.0	7
P0061.040-018-A2	M 4	18	8	9.0	7
P0061.040-020-A2	M 4	20	8	9.0	7
P0061.040-025-A2	M 4	25	8	9.0	7
P0061.040-030-A2	M 4	30	8	9.0	7
P0061.040-035-A2	M 4	35	8	9.0	7
P0061.040-040-A2	M 4	40	8	9.0	7
P0061.040-050-A2	M 4	50	8	9.0	7
P0061.040-055-A2	M 4	55	8	9.0	7
P0061.040-060-A2	M 4	60	8	9.0	7
P0061.050-008-A2	M 5	8	10	4.5	8



# Stainless Hexagonal Pillars

303 stainless



SPACERS

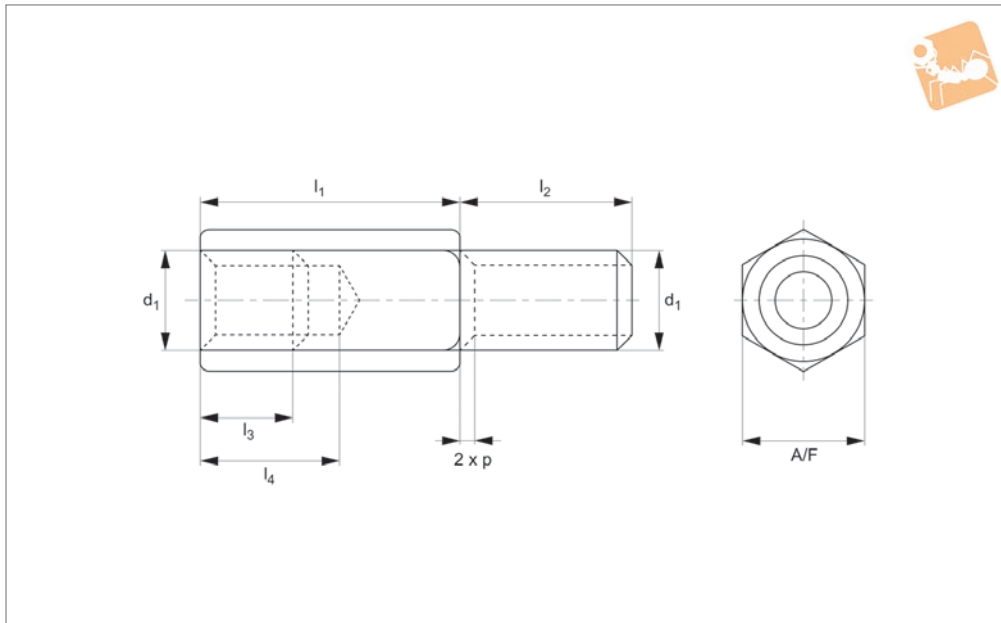
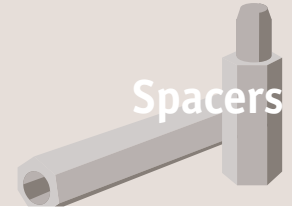
Order No.	d <sub>1</sub>	l <sub>1</sub> tol. js13	l <sub>2</sub>	l <sub>3</sub>	A/F
P0061.050-010-A2	M 5	10	10	5.5	8
P0061.050-012-A2	M 5	12	10	8.0	8
P0061.050-015-A2	M 5	15	10	9.0	8
P0061.050-020-A2	M 5	20	10	11.0	8
P0061.050-025-A2	M 5	25	10	11.0	8
P0061.050-030-A2	M 5	30	10	11.0	8
P0061.050-035-A2	M 5	35	10	11.0	8
P0061.050-040-A2	M 5	40	10	11.0	8
P0061.050-050-A2	M 5	50	10	11.0	8
P0061.050-060-A2	M 5	60	10	11.0	8
P0061.050-080-A2	M 5	80	10	11.0	8
P0061.060-010-A2	M 6	10	12	6.0	10
P0061.060-015-A2	M 6	15	12	11.0	10
P0061.060-020-A2	M 6	20	12	12.0	10
P0061.060-025-A2	M 6	25	12	12.0	10
P0061.060-030-A2	M 6	30	12	12.0	10
P0061.060-035-A2	M 6	35	12	12.0	10
P0061.060-040-A2	M 6	40	12	12.0	10
P0061.060-045-A2	M 6	45	12	12.0	10
P0061.060-050-A2	M 6	50	12	12.0	10
P0061.060-060-A2	M 6	60	12	12.0	10
P0061.060-070-A2	M 6	70	12	12.0	10
P0061.060-080-A2	M 6	80	12	12.0	10
P0061.060-085-A2	M 6	85	12	12.0	10
P0061.060-090-A2	M 6	90	12	12.0	10



# Brass Hexagonal Pillars

Brass

Spacers



**P0061.BR**

SPACERS

### Material

Brass (CZ 121), bright nickel-plated.

### Technical Notes

$l_4 = (l_3 + >1\text{mm})$ .

Order No.	d <sub>1</sub>	l <sub>1</sub> tol. js13	l <sub>2</sub>	l <sub>3</sub>	A/F
P0061.020-005-BR	M 2	5	6	2.8	4
P0061.020-008-BR	M 2	8	6	6	4
P0061.020-010-BR	M 2	10	6	7	4
P0061.020-012-BR	M 2	12	6	7	4
P0061.020-015-BR	M 2	15	6	7	4
P0061.020-020-BR	M 2	20	5	7	4
P0061.020-025-BR	M 2	25	6	7	4
P0061.020-030-BR	M 2	30	6	7	4
P0061.025-005-BR	M2,5	5	6	2.5	4
P0061.025-008-BR	M2,5	8	6	5.5	4
P0061.025-010-BR	M2,5	10	6	7	4
P0061.025-012-BR	M2,5	12	6	7	4
P0061.025-015-BR	M2,5	15	6	7	4
P0061.025-018-BR	M2,5	18	6	7	4
P0061.025-020-BR	M2,5	20	6	7	4
P0061.025-025-BR	M2,5	25	6	7	4
P0061.025-030-BR	M2,5	30	6	7	4
P0061.025-040-BR	M2,5	40	6	7	4
P0061.025-050-BR	M2,5	50	6	7	4
P0061.030-005-BR	M 3	5	8	2.5	5.5
P0061.030-008-BR	M 3	8	8	5	5.5
P0061.030-010-BR	M 3	10	8	6.5	5.5
P0061.030-012-BR	M 3	12	8	7	5.5
P0061.030-015-BR	M 3	15	8	8	5.5
P0061.030-018-BR	M 3	18	8	7	5.5
P0061.030-020-BR	M 3	20	8	7	5.5
P0061.030-025-BR	M 3	25	8	7	5.5
P0061.030-030-BR	M 3	30	8	7	5.5
P0061.030-035-BR	M 3	35	8	7	5.5
P0061.030-040-BR	M 3	40	8	7	5.5
P0061.030-045-BR	M 3	45	8	7	5.5
P0061.030-050-BR	M 3	50	8	7	5.5
P0061.030-055-BR	M 3	55	8	7	5.5
P0061.030-060-BR	M 3	60	8	7	5.5



SPACERS

Order No.	d <sub>1</sub>	l <sub>1</sub> tol. js13	l <sub>2</sub>	l <sub>3</sub>	A/F
P0061.040-005-BR	M 4	5	8	2.3	7
P0061.040-008-BR	M 4	8	8	4.5	7
P0061.040-010-BR	M 4	10	8	6	7
P0061.040-012-BR	M 4	12	8	6	7
P0061.040-015-BR	M 4	15	8	9	7
P0061.040-018-BR	M 4	18	8	9	7
P0061.040-020-BR	M 4	20	8	9	7
P0061.040-025-BR	M 4	25	8	9	7
P0061.040-030-BR	M 4	30	8	9	7
P0061.040-035-BR	M 4	35	10	9	7
P0061.040-040-BR	M 4	40	8	9	7
P0061.040-045-BR	M 4	45	8	9	7
P0061.040-050-BR	M 4	50	8	9	7
P0061.040-055-BR	M 4	55	8	9	7
P0061.040-060-BR	M 4	60	8	9	7
P0061.040-065-BR	M 4	65	8	9	7
P0061.040-070-BR	M 4	70	10	9	7
P0061.040-080-BR	M 4	80	8	9	7
P0061.050-010-BR	M 5	10	10	5.5	8
P0061.050-012-BR	M 5	12	10	8	8
P0061.050-015-BR	M 5	15	10	9	8
P0061.050-018-BR	M 5	18	10	10	8
P0061.050-020-BR	M 5	20	10	10	8
P0061.050-025-BR	M 5	25	10	10	8
P0061.050-030-BR	M 5	30	10	10	8
P0061.050-035-BR	M 5	35	10	10	8
P0061.050-040-BR	M 5	40	10	10	8
P0061.050-045-BR	M 5	45	10	10	8
P0061.050-050-BR	M 5	50	10	10	8
P0061.050-060-BR	M 5	60	10	10	8
P0061.060-012-BR	M 6	12	12	6.0	10
P0061.060-015-BR	M 6	15	12	11	10
P0061.060-020-BR	M 6	20	12	12	10
P0061.060-025-BR	M 6	25	12	12	10
P0061.060-030-BR	M 6	30	12	12	10
P0061.060-035-BR	M 6	35	12	12	10
P0061.060-040-BR	M 6	40	12	12	10
P0061.060-045-BR	M 6	45	12	12	10