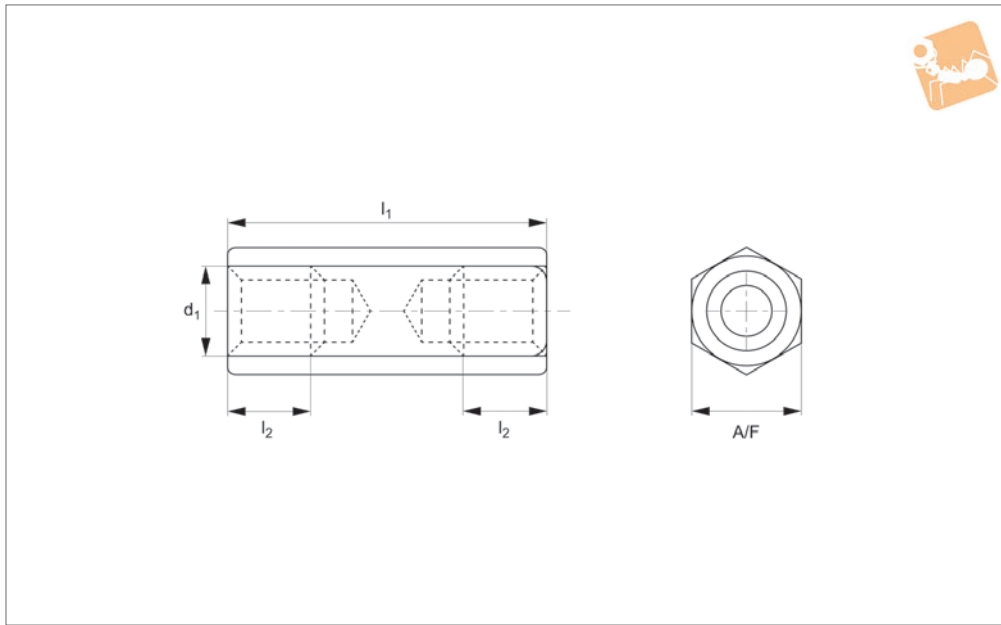
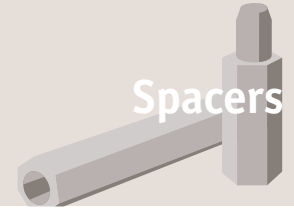




# Steel Hexagonal Spacers

Steel - zinc-plated



**P0060.ZP**

SPACERS

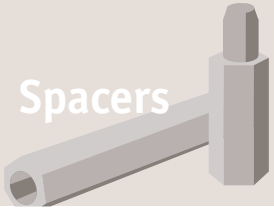
### Material

Mild steel (S300Pb), zinc-plated.

### Technical Notes

$l_3 = (l_2 + 1\text{mm})$ .

Order No.	$d_1$	$l_1$ tol. js13	$l_2$	A/F
P0060.025-005-ZP	M2,5	5	5	5
P0060.025-008-ZP	M2,5	8	4	5
P0060.025-010-ZP	M2,5	10	5	5
P0060.025-012-ZP	M2,5	12	6	5
P0060.025-015-ZP	M2,5	15	6	5
P0060.025-018-ZP	M2,5	18	6	5
P0060.025-020-ZP	M2,5	20	6	5
P0060.025-025-ZP	M2,5	25	6	5
P0060.025-030-ZP	M2,5	30	6	5
P0060.025-040-ZP	M2,5	40	6	5
P0060.030-005-ZP	M3	5	5	5.5
P0060.030-008-ZP	M3	8	8	5.5
P0060.030-010-ZP	M3	10	10	5.5
P0060.030-012-ZP	M3	12	6	5.5
P0060.030-015-ZP	M3	15	7	5.5
P0060.030-018-ZP	M3	18	7	5.5
P0060.030-020-ZP	M3	20	7	5.5
P0060.030-025-ZP	M3	25	7	5.5
P0060.030-030-ZP	M3	30	7	5.5
P0060.030-035-ZP	M3	35	7	5.5
P0060.030-040-ZP	M3	40	7	5.5
P0060.030-045-ZP	M3	45	7	5.5
P0060.030-050-ZP	M3	50	7	5.5
P0060.030-055-ZP	M3	55	7	5.5
P0060.030-060-ZP	M3	60	7	5.5
P0060.030-070-ZP	M3	70	7	5.5
P0060.030-080-ZP	M3	80	7	5.5
P0060.040-006-ZP	M4	6	6	7
P0060.040-008-ZP	M4	8	8	7
P0060.040-010-ZP	M4	10	10	7
P0060.040-012-ZP	M4	12	12	7
P0060.040-015-ZP	M4	15	7	7
P0060.040-018-ZP	M4	18	9	7
P0060.040-020-ZP	M4	20	9	7



# Steel Hexagonal Spacers

Steel - zinc-plated



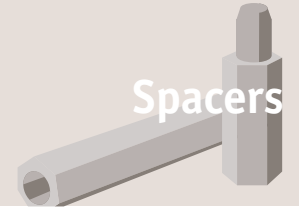
SPACERS

Order No.	d <sub>1</sub>	l <sub>1</sub> tol. js13	l <sub>2</sub>	A/F
P0060.040-025-ZP	M4	25	9	7
P0060.040-030-ZP	M4	30	9	7
P0060.040-035-ZP	M4	35	9	7
P0060.040-040-ZP	M4	40	9	7
P0060.040-045-ZP	M4	45	9	7
P0060.040-050-ZP	M4	50	9	7
P0060.040-055-ZP	M4	55	9	7
P0060.040-060-ZP	M4	60	9	7
P0060.040-070-ZP	M4	70	9	7
P0060.050-008-ZP	M5	8	8	8
P0060.050-010-ZP	M5	10	10	8
P0060.050-012-ZP	M5	12	12	8
P0060.050-015-ZP	M5	15	15	8
P0060.050-018-ZP	M5	18	18	8
P0060.050-020-ZP	M5	20	10	8
P0060.050-025-ZP	M5	25	10	8
P0060.050-030-ZP	M5	30	10	8
P0060.050-035-ZP	M5	35	10	8
P0060.050-040-ZP	M5	40	10	8
P0060.050-045-ZP	M5	45	10	8
P0060.050-050-ZP	M5	50	10	8
P0060.050-055-ZP	M5	55	10	8
P0060.050-060-ZP	M5	60	10	8
P0060.050-070-ZP	M5	70	10	8
P0060.050-080-ZP	M5	80	10	8
P0060.060-010-ZP	M6	10	10	10
P0060.060-012-ZP	M6	12	12	10
P0060.060-015-ZP	M6	15	15	10
P0060.060-018-ZP	M6	18	18	10
P0060.060-020-ZP	M6	20	10	10
P0060.060-025-ZP	M6	25	10	10
P0060.060-030-ZP	M6	30	10	10
P0060.060-035-ZP	M6	35	10	10
P0060.060-040-ZP	M6	40	10	10
P0060.060-045-ZP	M6	45	10	10
P0060.060-050-ZP	M6	50	10	10
P0060.060-055-ZP	M6	55	10	10
P0060.060-060-ZP	M6	60	10	10
P0060.080-010-ZP	M8	10	10	13
P0060.080-015-ZP	M8	15	15	13
P0060.080-020-ZP	M8	20	20	13
P0060.080-025-ZP	M8	25	25	13
P0060.080-030-ZP	M8	30	15	13
P0060.080-035-ZP	M8	35	15	13
P0060.080-040-ZP	M8	40	15	13
P0060.080-045-ZP	M8	45	15	13
P0060.080-050-ZP	M8	50	15	13
P0060.080-060-ZP	M8	60	15	13
P0060.080-070-ZP	M8	70	15	13

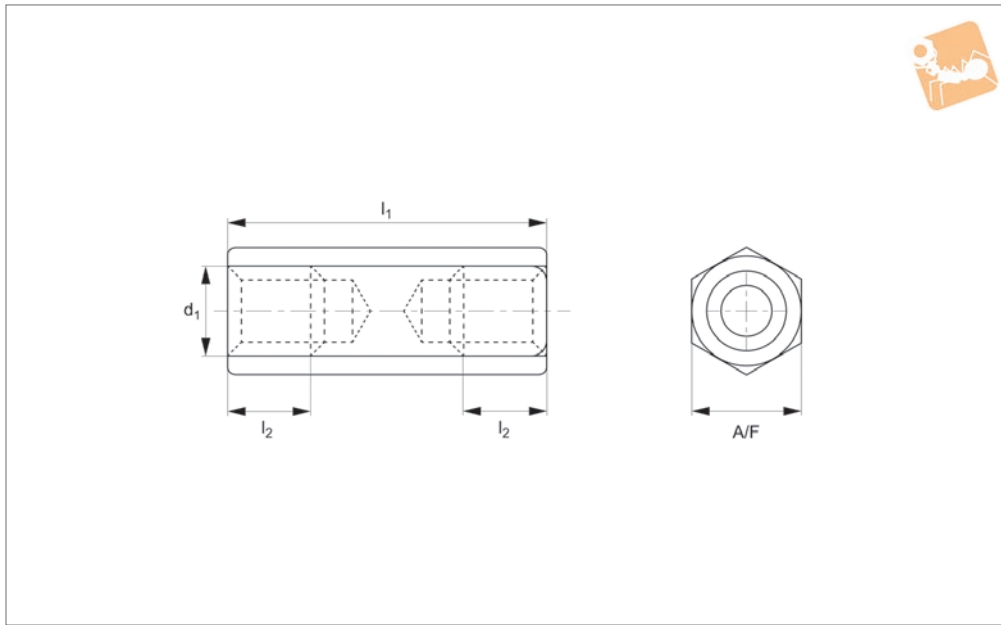


# Stainless Hexagonal Spacers

303 stainless



Spacers



**P0060.A2**

SPACERS

### Material

Stainless steel (AISI 303, 1.4305)

### Technical Notes

Slightly magnetic.

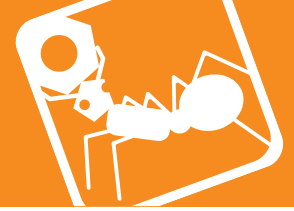
$l_3 = (l_2 + >1\text{mm})$ .

Order No.	d <sub>1</sub>	l <sub>1</sub> tol. js13	l <sub>2</sub>	A/F
P0060.025-005-A2	M2,5	5	5	5
P0060.025-010-A2	M2,5	10	5	5
P0060.025-012-A2	M2,5	12	6	5
P0060.025-015-A2	M2,5	15	6	5
P0060.025-018-A2	M2,5	18	6	5
P0060.025-020-A2	M2,5	20	6	5
P0060.025-025-A2	M2,5	25	6	5
P0060.030-005-A2	M3	5	5	5.5
P0060.030-008-A2	M3	8	8	5.5
P0060.030-010-A2	M3	10	10	5.5
P0060.030-012-A2	M3	12	6	5.5
P0060.030-015-A2	M3	15	7	5.5
P0060.030-018-A2	M3	18	7	5.5
P0060.030-020-A2	M3	20	7	5.5
P0060.030-025-A2	M3	25	7	5.5
P0060.030-030-A2	M3	30	7	5.5
P0060.030-035-A2	M3	35	7	5.5
P0060.030-040-A2	M3	40	7	5.5
P0060.030-045-A2	M3	45	7	5.5
P0060.040-005-A2	M4	5	5	7
P0060.040-010-A2	M4	10	10	7
P0060.040-015-A2	M4	15	7	7
P0060.040-020-A2	M4	20	9	7
P0060.040-025-A2	M4	25	9	7
P0060.040-030-A2	M4	30	9	7
P0060.040-035-A2	M4	35	9	7
P0060.040-040-A2	M4	40	9	7
P0060.040-045-A2	M4	45	9	7
P0060.040-050-A2	M4	50	9	7
P0060.040-060-A2	M4	60	9	7
P0060.040-070-A2	M4	70	9	7
P0060.040-080-A2	M4	80	9	7
P0060.050-010-A2	M5	10	10	8
P0060.050-015-A2	M5	15	15	8



# Stainless Hexagonal Spacers

303 stainless



SPACERS

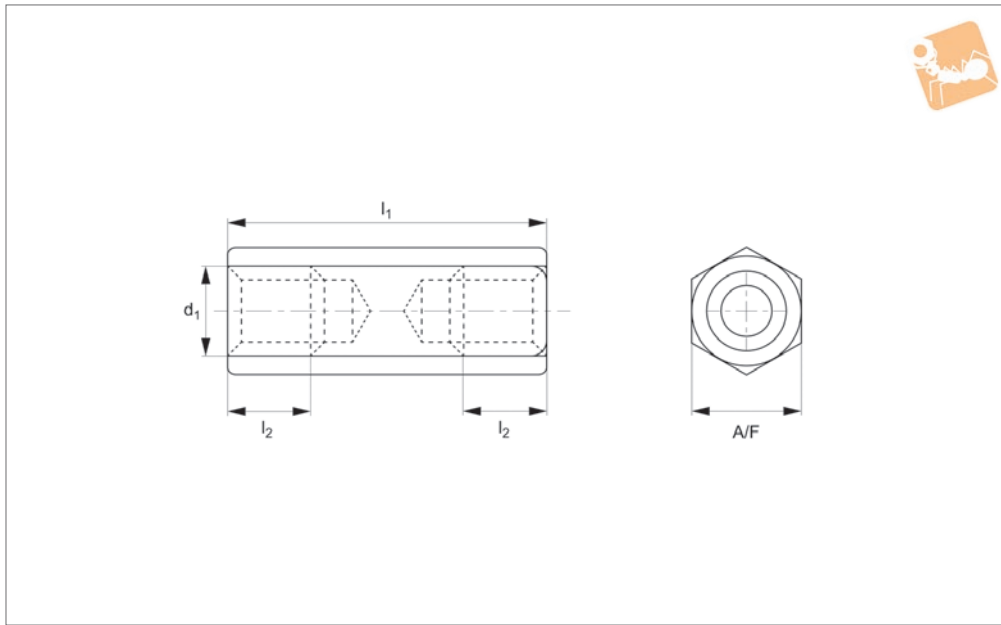
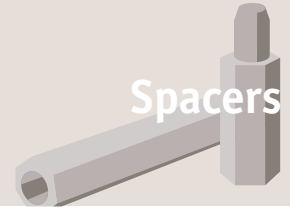
Order No.	d <sub>1</sub>	l <sub>1</sub> tol. js13	l <sub>2</sub>	A/F
P0060.050-020-A2	M5	20	10	8
P0060.050-025-A2	M5	25	10	8
P0060.050-030-A2	M5	30	10	8
P0060.050-035-A2	M5	35	10	8
P0060.050-040-A2	M5	40	10	8
P0060.050-050-A2	M5	50	10	8
P0060.050-080-A2	M5	80	10	8
P0060.060-010-A2	M6	10	10	10
P0060.060-015-A2	M6	15	15	10
P0060.060-020-A2	M6	20	10	10
P0060.060-025-A2	M6	25	10	10
P0060.060-030-A2	M6	30	10	10
P0060.060-035-A2	M6	35	10	10
P0060.060-040-A2	M6	40	10	10
P0060.060-050-A2	M6	50	10	10
P0060.060-055-A2	M6	55	10	10
P0060.060-065-A2	M6	65	10	10



# Brass Hexagonal Spacers

Brass

Spacers



P0060.BR

SPACERS

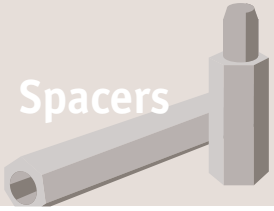
### Material

Brass (2.0402), bright nickel-plated.

### Technical Notes

$l_3 = (l_2 + >1\text{mm})$ .

Order No.	d <sub>1</sub>	l <sub>1</sub> tol. js13	l <sub>2</sub>	A/F
P0060.020-005-BR	M2	5	5	4
P0060.020-008-BR	M2	8	8	4
P0060.020-010-BR	M2	10	10	4
P0060.020-012-BR	M2	12	6	4
P0060.020-015-BR	M2	15	6	4
P0060.020-018-BR	M2	18	5	4
P0060.020-020-BR	M2	20	6	4
P0060.020-025-BR	M2	25	6	4
P0060.020-030-BR	M2	30	6	4
P0060.020-035-BR	M2	35	10	4
P0060.020-040-BR	M2	40	10	4
P0060.020-045-BR	M2	45	10	4
P0060.025-005-BR	M2,5	5	5	5
P0060.025-008-BR	M2,5	8	4	5
P0060.025-010-BR	M2,5	10	5	5
P0060.025-012-BR	M2,5	12	6	5
P0060.025-015-BR	M2,5	15	6	5
P0060.025-018-BR	M2,5	18	6	5
P0060.025-020-BR	M2,5	20	6	5
P0060.025-025-BR	M2,5	25	6	5
P0060.025-030-BR	M2,5	30	6	5
P0060.025-035-BR	M2,5	35	6	5
P0060.025-040-BR	M2,5	40	6	5
P0060.025-045-BR	M2,5	45	10	5
P0060.030-005-BR	M3	5	5	5
P0060.030-008-BR	M3	8	8	5
P0060.030-010-BR	M3	10	10	5
P0060.030-012-BR	M3	12	6	5
P0060.030-015-BR	M3	15	7	5
P0060.030-018-BR	M3	18	7	5
P0060.030-020-BR	M3	20	7	5
P0060.030-025-BR	M3	25	7	5
P0060.030-030-BR	M3	30	7	5
P0060.030-035-BR	M3	35	7	5



# Brass Hexagonal Spacers

Brass



SPACERS

Order No.	d <sub>1</sub>	l <sub>1</sub> tol. js13	l <sub>2</sub>	A/F
P0060.030-040-BR	M3	40	7	5
P0060.030-045-BR	M3	45	10	5
P0060.030-050-BR	M3	50	10	5
P0060.040-005-BR	M4	5	5	7
P0060.040-008-BR	M4	8	8	7
P0060.040-010-BR	M4	10	10	7
P0060.040-012-BR	M4	12	12	7
P0060.040-015-BR	M4	15	7	7
P0060.040-018-BR	M4	18	9	7
P0060.040-020-BR	M4	20	9	7
P0060.040-025-BR	M4	25	9	7
P0060.040-030-BR	M4	30	9	7
P0060.040-035-BR	M4	35	9	7
P0060.040-040-BR	M4	40	9	7
P0060.040-045-BR	M4	45	9	7
P0060.040-050-BR	M4	50	9	7
P0060.040-055-BR	M4	55	9	7
P0060.040-060-BR	M4	60	9	7
P0060.050-010-BR	M5	10	10	8
P0060.050-012-BR	M5	12	12	8
P0060.050-020-BR	M5	20	10	8
P0060.050-025-BR	M5	25	10	8
P0060.050-030-BR	M5	30	10	8
P0060.050-035-BR	M5	35	10	8
P0060.050-040-BR	M5	40	10	8
P0060.050-045-BR	M5	45	10	8
P0060.050-050-BR	M5	50	11	8
P0060.050-055-BR	M5	55	11	8
P0060.050-060-BR	M5	60	11	8
P0060.050-070-BR	M5	70	11	8
P0060.050-080-BR	M5	80	11	8
P0060.060-015-BR	M6	15	15	10
P0060.060-025-BR	M6	25	10	10
P0060.060-030-BR	M6	30	10	10
P0060.060-035-BR	M6	35	12	10
P0060.060-040-BR	M6	40	12	10
P0060.060-045-BR	M6	45	12	10
P0060.060-050-BR	M6	50	12	10