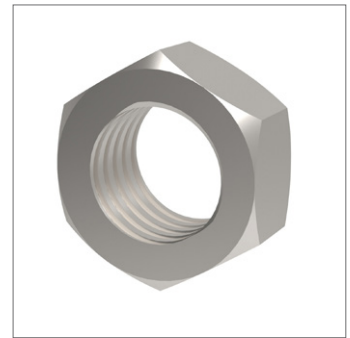
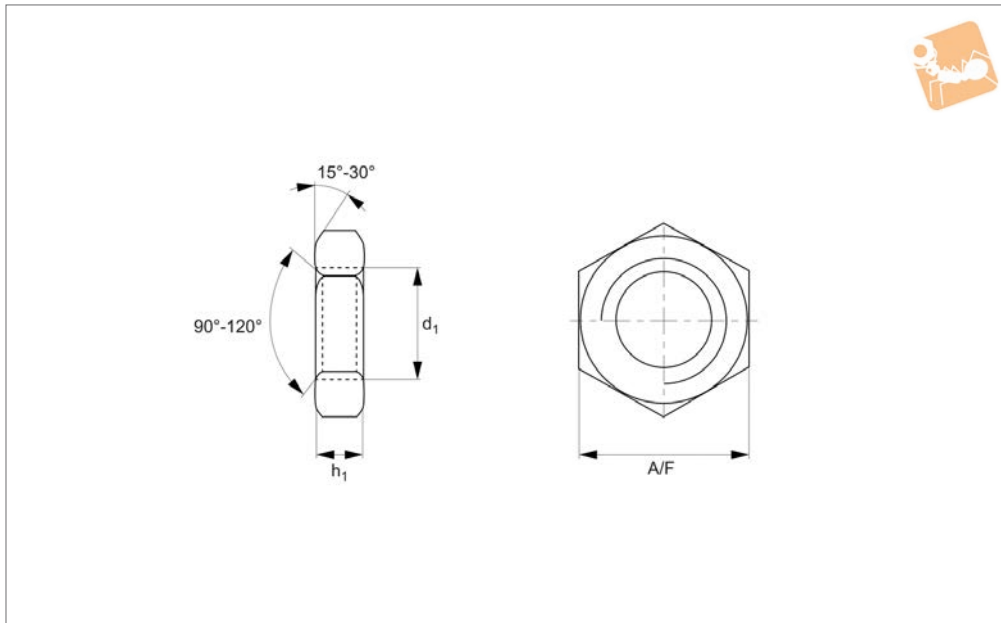




Lock Nuts Coarse Thread

A2 stainless



P0305.A2

NUTS

Material

Stainless steel (A2).

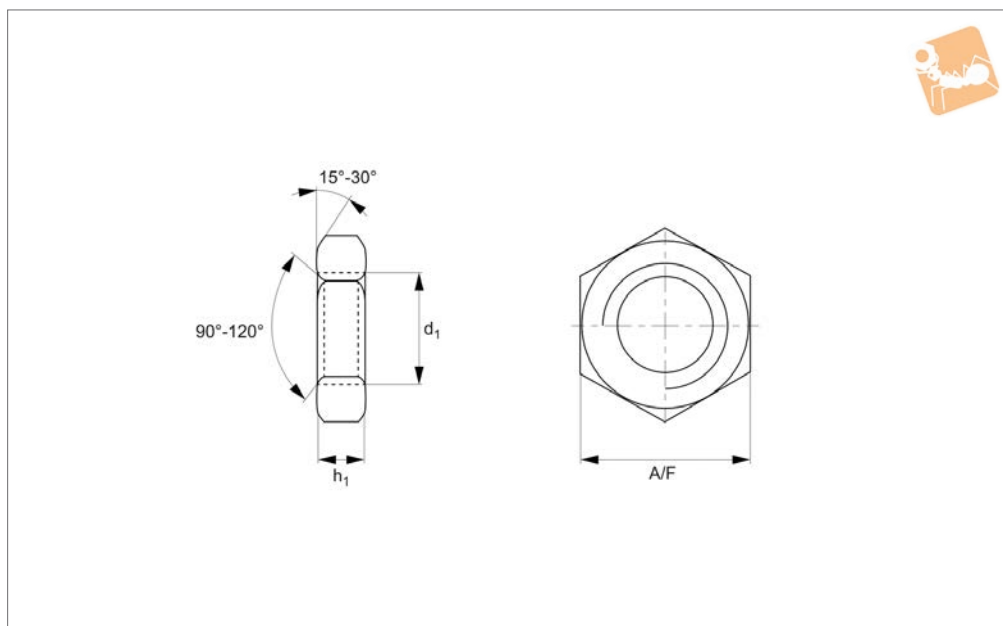
Technical Notes

To DIN 439. Standard metric coarse pitch threads.

Order No.	d ₁	h ₁	A/F	Material
P0305.016-A2	M1,6	0.75	3.2	A2 s/s
P0305.017-A2	M1,7	0.75	3.5	A2 s/s
P0305.020-A2	M 2	0.95	4	A2 s/s
P0305.023-A2	M2,3	0.95	4.5	A2 s/s
P0305.025-A2	M2,5	1.35	5	A2 s/s
P0305.026-A2	M2,6	1.35	5	A2 s/s
P0305.030-A2	M 3	1.55	5.5	A2 s/s
P0305.040-A2	M 4	1.95	7	A2 s/s
P0305.050-A2	M 5	2.45	8	A2 s/s
P0305.060-A2	M 6	2.9	10	A2 s/s
P0305.080-A2	M 8	3.7	13	A2 s/s
P0305.100-A2	M10	4.7	17	A2 s/s
P0305.120-A2	M12	5.7	19	A2 s/s
P0305.140-A2	M14	6.42	22	A2 s/s
P0305.160-A2	M16	7.42	24	A2 s/s
P0305.180-A2	M18	8.42	27	A2 s/s
P0305.200-A2	M20	9.1	30	A2 s/s
P0305.220-A2	M22	9.9	34	A2 s/s
P0305.240-A2	M24	10.9	36	A2 s/s
P0305.270-A2	M27	12.4	41	A2 s/s
P0305.300-A2	M30	13.9	46	A2 s/s
P0305.330-A2	M33	15.4	50	A2 s/s
P0305.360-A2	M36	16.9	55	A2 s/s
P0305.420-A2	M42	19.7	65	A2 s/s
P0305.480-A2	M48	22.7	75	A2 s/s



P0305.A4



Material

Stainless steel (A4).

threads.

For fine thread lock nuts see P0306.

Technical Notes

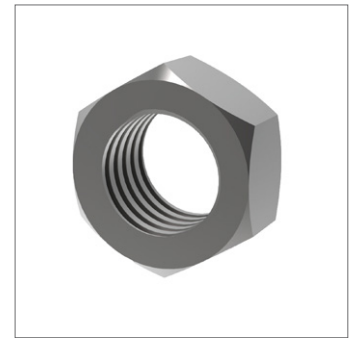
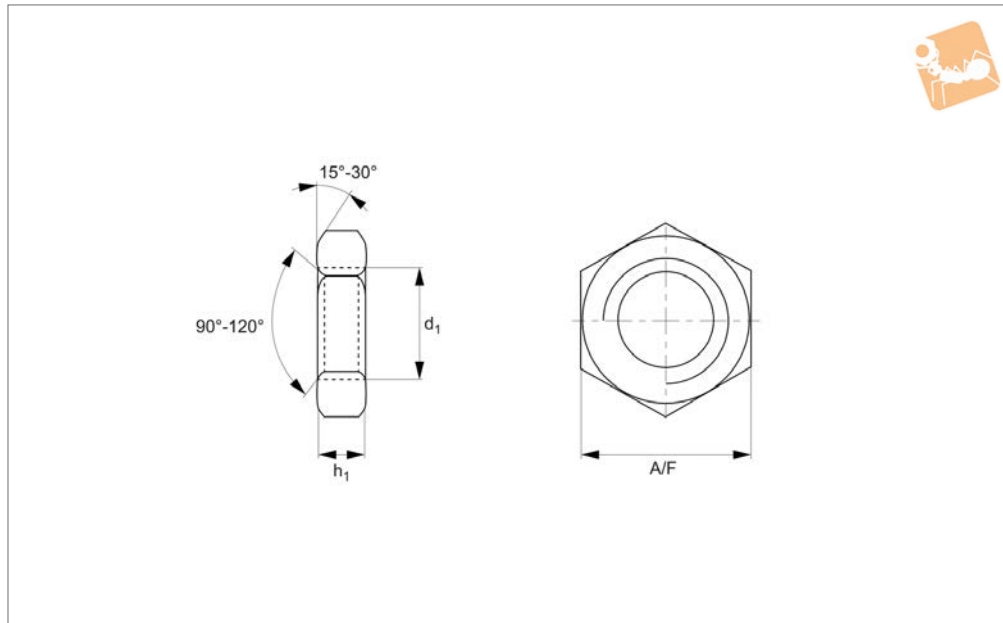
To DIN 439. Standard metric coarse pitch

Order No.	d_1	h_1	A/F	Material
P0305.016-A4	M1,6	0.75	3.2	A4 s/s
P0305.017-A4	M1,7	0.75	3.5	A4 s/s
P0305.020-A4	M 2	0.95	4	A4 s/s
P0305.023-A4	M2,3	0.95	4.5	A4 s/s
P0305.025-A4	M2,5	1.35	5	A4 s/s
P0305.026-A4	M2,6	1.35	5	A4 s/s
P0305.030-A4	M 3	1.55	5.5	A4 s/s
P0305.040-A4	M 4	1.95	7	A4 s/s
P0305.050-A4	M 5	2.45	8	A4 s/s
P0305.060-A4	M 6	2.9	10	A4 s/s
P0305.080-A4	M 8	3.7	13	A4 s/s
P0305.100-A4	M10	4.7	17	A4 s/s
P0305.120-A4	M12	5.7	19	A4 s/s
P0305.140-A4	M14	6.42	22	A4 s/s
P0305.160-A4	M16	7.42	24	A4 s/s
P0305.180-A4	M18	8.42	27	A4 s/s
P0305.200-A4	M20	9.1	30	A4 s/s
P0305.220-A4	M22	9.9	34	A4 s/s
P0305.240-A4	M24	10.9	36	A4 s/s
P0305.270-A4	M27	12.4	41	A4 s/s
P0305.300-A4	M30	13.9	46	A4 s/s
P0305.330-A4	M33	15.4	50	A4 s/s
P0305.360-A4	M36	16.9	55	A4 s/s
P0305.420-A4	M42	19.7	65	A4 s/s
P0305.480-A4	M48	22.7	75	A4 s/s



Lock Nuts Coarse Thread

Steel, self-colour



P0305.SC

NUTS

Material

Steel (class 4), self-colour.

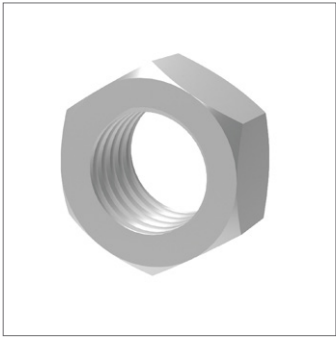
threads.

For fine thread lock nuts see P0306.

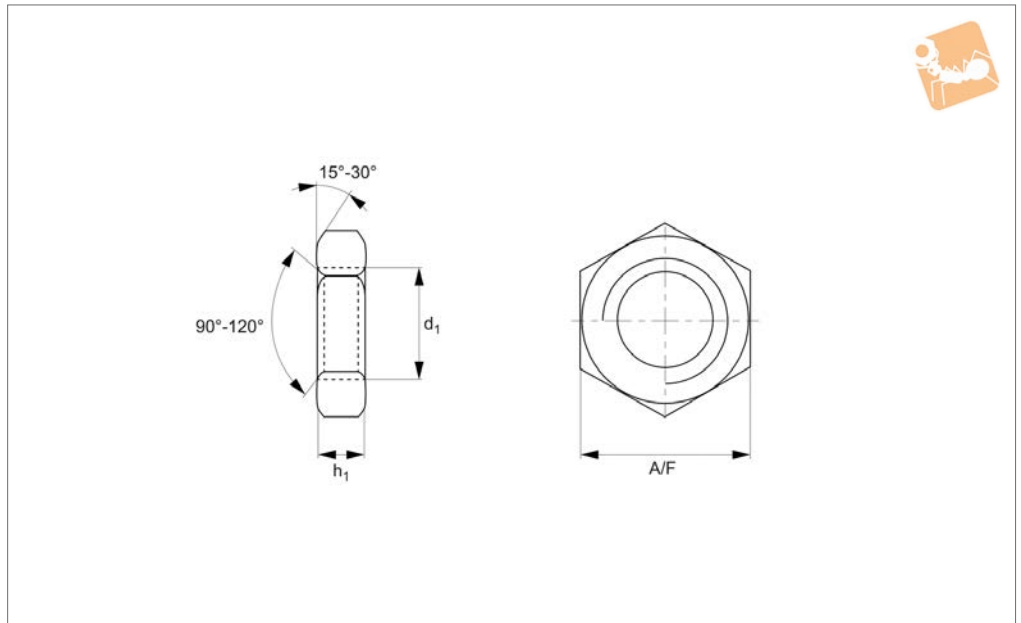
Technical Notes

To DIN 439. Standard metric coarse pitch

Order No.	d ₁	h ₁	A/F	Material
P0305.020-SC	M 2	0.95	4	Steel SC
P0305.025-SC	M2,6	1.35	5	Steel SC
P0305.030-SC	M 3	1.55	5.5	Steel SC
P0305.040-SC	M 4	1.95	7	Steel SC
P0305.050-SC	M 5	2.45	8	Steel SC
P0305.060-SC	M 6	2.9	10	Steel SC
P0305.080-SC	M 8	3.7	13	Steel SC
P0305.100-SC	M10	4.7	17	Steel SC
P0305.120-SC	M12	5.7	19	Steel SC
P0305.140-SC	M14	6.42	22	Steel SC
P0305.160-SC	M16	7.42	24	Steel SC
P0305.180-SC	M18	8.42	27	Steel SC
P0305.200-SC	M20	9.1	30	Steel SC
P0305.220-SC	M22	9.9	34	Steel SC
P0305.240-SC	M24	10.9	36	Steel SC
P0305.270-SC	M27	12.4	41	Steel SC
P0305.300-SC	M30	13.9	46	Steel SC
P0305.330-SC	M33	15.4	50	Steel SC
P0305.360-SC	M36	16.9	55	Steel SC
P0305.390-SC	M39	19.5	60	Steel SC
P0305.420-SC	M42	21	65	Steel SC
P0305.450-SC	M45	22.5	70	Steel SC
P0305.480-SC	M48	24	75	Steel SC
P0305.520-SC	M52	26	80	Steel SC
P0305.560-SC	M56	28	85	Steel SC
P0305.600-SC	M60	30	90	Steel SC



P0305.ZP



Material

Steel (class 4), zinc-plated.

threads.

For fine thread lock nuts see P0306.

Technical Notes

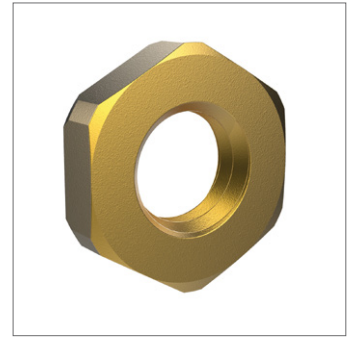
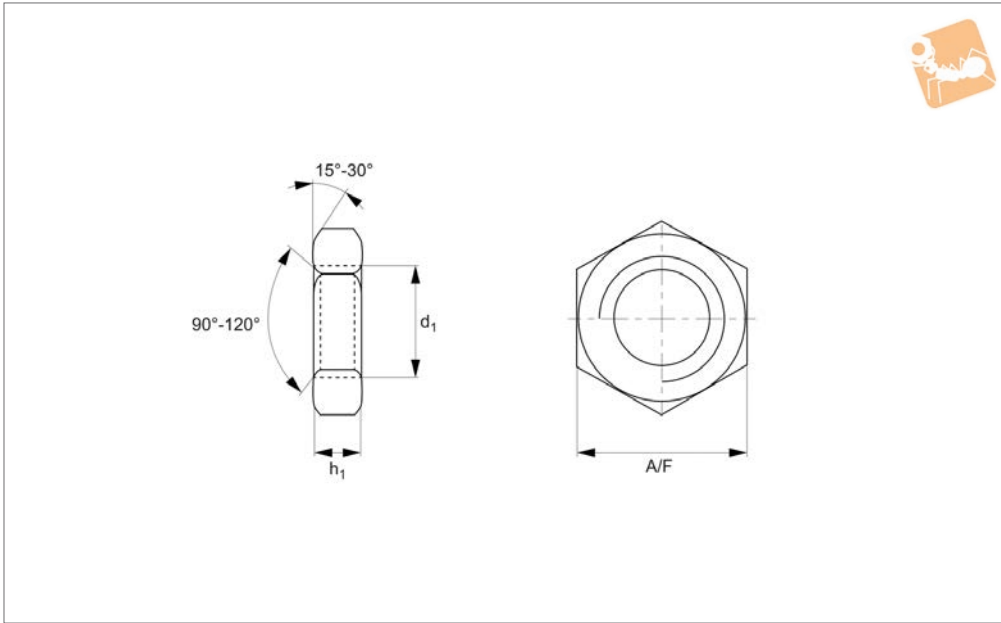
To DIN 439. Standard metric coarse pitch

Order No.	d_1	h_1 min.	A/F	Material
P0305.020-ZP	M 2	0.95	4	Steel ZP
P0305.025-ZP	M2,5	1.35	5	Steel ZP
P0305.030-ZP	M 3	1.55	5.5	Steel ZP
P0305.040-ZP	M 4	1.95	7	Steel ZP
P0305.050-ZP	M 5	2.45	8	Steel ZP
P0305.060-ZP	M 6	2.9	10	Steel ZP
P0305.080-ZP	M 8	3.7	13	Steel ZP
P0305.100-ZP	M10	4.7	17	Steel ZP
P0305.120-ZP	M12	5.7	19	Steel ZP
P0305.140-ZP	M14	6.42	22	Steel ZP
P0305.160-ZP	M16	7.42	24	Steel ZP
P0305.180-ZP	M18	8.42	27	Steel ZP
P0305.200-ZP	M20	9.1	30	Steel ZP
P0305.220-ZP	M22	9.9	34	Steel ZP
P0305.240-ZP	M24	10.9	36	Steel ZP
P0305.270-ZP	M27	12.4	41	Steel ZP
P0305.300-ZP	M30	13.9	46	Steel ZP
P0305.330-ZP	M33	15.4	50	Steel ZP
P0305.360-ZP	M36	16.9	55	Steel ZP
P0305.420-ZP	M42	19.7	65	Steel ZP



Hexagon thin nuts

unchamfered, DIN 439



P0305.BR

NUTS

Material

Brass, Cu3 (CuZn39Pb3).

Technical Notes

To DIN 439. Standard metric coarse pitch threads.