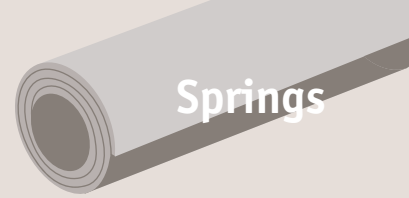
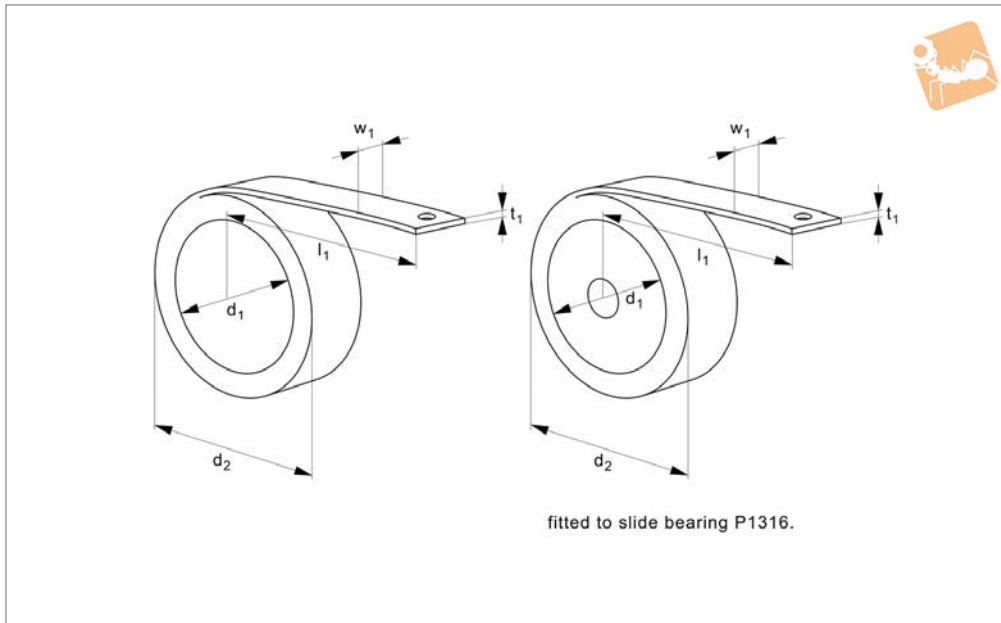




Constant Force Springs stainless



Springs



P1315

SPRINGS

Material

Stainless steel (EN10270-3, DIN 1.4310).

Technical Notes

Constant force extension springs provide a

huge range of application opportunities.

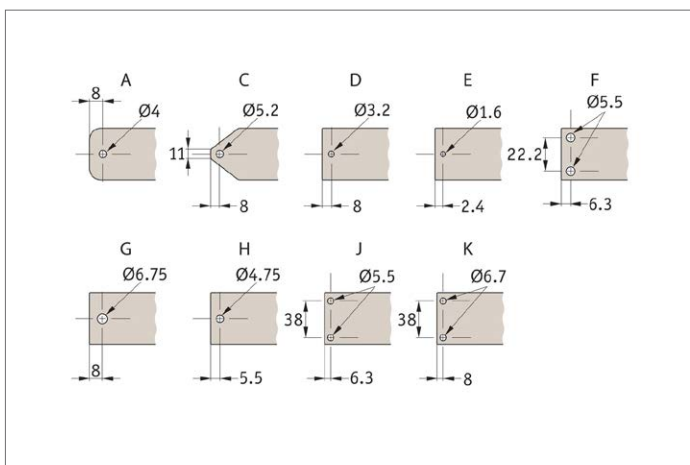
Springs can be extended in excess of 50 times the relaxed length of the spring, and can be mounted on a bobbin or bush free

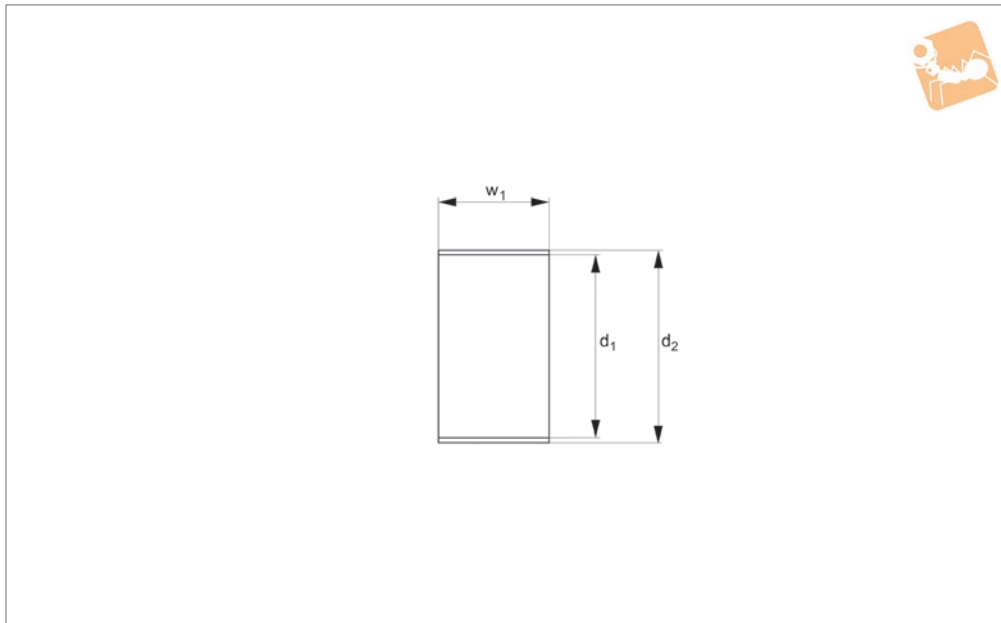
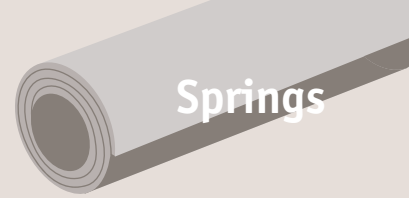
running in a cavity or recess. Springs can be joined or laminated to provide increased force with minimal increases in space requirements.

Order No.	t ₁	F N ±10%	d ₁	w ₁	d ₂	d ₃	d ₄	l ₁	Total length	N _c	Hole	For bearing No.
P1315.010-A	0.1	2.8	10	10	12.3	12	14.0	300	360	15000	D	P1316.10-12-10
P1315.010-B	0.1	1.6	14	10	15.9	16	17.7	300	400	40000	D	P1316.12-16-10
P1315.015-A	0.15	6.2	14	15	17.9	17	20.4	500	600	15000	D	P1316.15-17-15
P1315.015-B	0.15	4.4	19	15	22.3	23	25.8	500	640	40000	D	P1316.20-23-15
P1315.015-C	0.15	8.4	14	20	19.9	17	20.4	500	600	15000	H	P1316.15-17-20
P1315.015-D	0.15	5.5	19	20	22.3	23	25.8	500	640	40000	H	P1316.20-23-20
P1315.020-A	0.2	9.3	19	15	24.3	23	27.6	700	830	15000	D	P1316.20-23-15
P1315.020-B	0.2	4.3	29	15	33.1	34	37.6	700	900	40000	D	P1316.30-34-15
P1315.020-C	0.2	12.3	19	20	24.3	23	27.6	700	830	15000	H	P1316.20-23-20
P1315.020-D	0.2	5.7	29	20	33.1	34	37.6	700	900	40000	H	P1316.30-34-20
P1315.020-E	0.2	15.4	19	25	24.3	23	27.6	700	830	15000	H	P1316.20-23-25
P1315.020-F	0.2	7.1	29	25	33.1	34	37.6	700	900	40000	H	P1316.30-34-25
P1315.025-A	0.25	11.5	24	15	31.2	28	34.5	1000	1170	15000	D	P1316.25-28-15
P1315.025-B	0.25	6.1	33	15	39.0	39	44.3	1000	1250	40000	D	P1316.35-39-15
P1315.025-C	0.25	15.4	24	20	31.2	28	34.5	1000	1170	15000	H	P1316.25-28-20
P1315.025-D	0.25	8.1	33	20	39.0	39	44.3	1000	1250	40000	H	P1316.35-39-20
P1315.025-E	0.25	19.2	24	25	31.2	28	34.5	1000	1170	15000	H	P1316.25-28-25
P1315.025-F	0.25	10.1	33	25	39.0	39	44.3	1000	1250	40000	H	P1316.35-39-25
P1315.030-A	0.30	17.0	30	20	37.4	36	42.4	1000	1200	15000	H	P1316.32-36-20
P1315.030-B	0.30	9.8	42	20	48.0	50	55.2	1000	1270	40000	H	P1316.45-50-20
P1315.030-C	0.30	21.3	28	25	35.8	34	40.7	1000	1200	15000	H	P1316.32-34-25
P1315.030-D	0.30	12.3	42	25	48.0	50	55.2	1000	1270	40000	H	P1316.45-50-25
P1315.030-E	0.30	25.5	30	30	37.4	36	42.4	1000	1200	15000	G	P1316.32-36-30
P1315.030-F	0.30	14.7	42	30	48.0	50	55.2	1000	1270	40000	G	P1316.45-50-30
P1315.040-A	0.40	33.7	37	25	48.8	44	54.4	1500	1850	15000	G	P1316.40-44-25
P1315.040-B	0.40	16.3	56	25	64.8	65	72.8	1500	1900	40000	G	P1316.60-65-25
P1315.040-C	0.40	40.4	37	30	48.8	44	54.4	1500	1850	15000	G	P1316.40-44-30
P1315.040-D	0.40	19.5	56	30	64.8	65	72.8	1500	1900	40000	G	P1316.60-65-30
P1315.040-E	0.40	54.0	37	40	48.8	44	54.4	1500	1850	15000	F	P1316.40-44-40
P1315.040-F	0.40	26.0	56	40	65.0	65	73.0	1500	1900	40000	F	P1316.60-65-40
P1315.050-A	0.50	51.2	46	30	58.6	55	66.0	1500	1900	15000	G	P1316.50-55-30
P1315.050-B	0.50	27.9	65	30	75.1	80	88.6	1500	2000	40000	G	P1316.75-80-30
P1315.050-C	0.50	68.3	46	40	58.6	55	66.0	1500	1900	15000	F	P1316.50-55-40



Order No.	t ₁	F N ±10%	d ₁	w ₁	d ₂	d ₃	d ₄	l ₁	Total length	N _c	Hole	For bearing No.
P1315.050-D	0.50	37.1	65	40	75.1	80	88.6	1500	2000	40000	F	P1316.75-80-40
P1315.050-E	0.50	85.3	46	50	58.6	55	66.0	1500	1900	15000	F	P1316.50-55-50
P1315.050-F	0.50	46.5	65	50	75.1	80	88.6	1500	2000	40000	F	P1316.75-80-50
P1315.060-A	0.60	100.0	53	40	69.2	65	78.9	2000	2400	15000	F	P1316.60-65-40
P1315.060-B	0.60	35.7	88	40	100.2	105	115.6	2000	2700	40000	F	P1316.100-105-40
P1315.060-C	0.60	125.2	53	50	69.2	65	78.9	2000	2400	15000	F	P1316.60-65-50
P1315.060-D	0.60	44.6	88	50	100.2	105	115.6	2000	2700	40000	F	P1316.100-105-50
P1315.060-E	0.60	150.2	53	60	69.2	65	78.9	2000	2400	15000	K	P1316.60-65-60
P1315.060-F	0.60	53.5	88	60	100.2	105	115.6	2000	2700	40000	K	P1316.100-105-60





P1316

SPRINGS

Material

Stainless steel (EN10270-3, DIN 1.4310).

Order No.	d ₁	d ₂	l ±0.25	For spring
P1316.10-12-10	10	12	10	P1315.10-A
P1316.12-16-10	12	16	10	P1315.10-B
P1316.15-17-15	15	17	15	P1315.15-A
P1316.20-23-15	20	23	15	P1315.15-B
P1316.15-17-20	15	17	20	P1315.15-C
P1316.20-23-20	20	23	20	P1315.15-D
P1316.30-34-15	30	34	15	P1315.20-B
P1316.30-34-20	30	34	20	P1315.20-D
P1316.20-23-25	20	23	25	P1315.20-E
P1316.30-34-25	30	34	25	P1315.20-F
P1316.25-28-15	25	28	15	P1315.25-A
P1316.35-39-15	35	39	15	P1315.25-B
P1316.25-28-20	25	28	20	P1315.25-C
P1316.35-39-20	35	39	20	P1315.25-D
P1316.25-28-25	25	28	25	P1315.25-E
P1316.35-39-25	35	39	25	P1315.25-F
P1316.32-36-20	32	36	20	P1315.30-A
P1316.45-50-20	45	50	20	P1315.30-B
P1316.32-34-25	30	34	25	P1315.30-C
P1316.45-50-25	45	50	25	P1315.30-D
P1316.32-36-30	32	36	30	P1315.30-E
P1316.45-50-30	45	50	30	P1315.30-F
P1316.40-44-25	40	44	25	P1315.40-A
P1316.60-65-25	60	65	25	P1315.40-B
P1316.40-44-30	40	44	30	P1315.40-C
P1316.60-65-30	60	65	30	P1315.40-D
P1316.40-44-40	40	44	40	P1315.40-E
P1316.60-65-40	60	65	40	P1315.40-F
P1316.50-55-30	50	55	30	P1315.50-A
P1316.75-80-30	75	80	30	P1315.50-B
P1316.50-55-40	50	55	40	P1315.50-C
P1316.75-80-40	75	80	40	P1315.50-D
P1316.50-55-50	50	55	50	P1315.50-E
P1316.75-80-50	75	80	50	P1315.50-F



Order No.	d ₁	d ₂	l ±0.25	For spring
P1316.100-105-40	100	105	40	P1315.60-B
P1316.60-65-50	60	65	50	P1315.60-C
P1316.100-105-50	100	105	50	P1315.60-D
P1316.60-65-60	60	65	60	P1315.60-E
P1316.100-105-60	100	105	60	P1315.60-F