

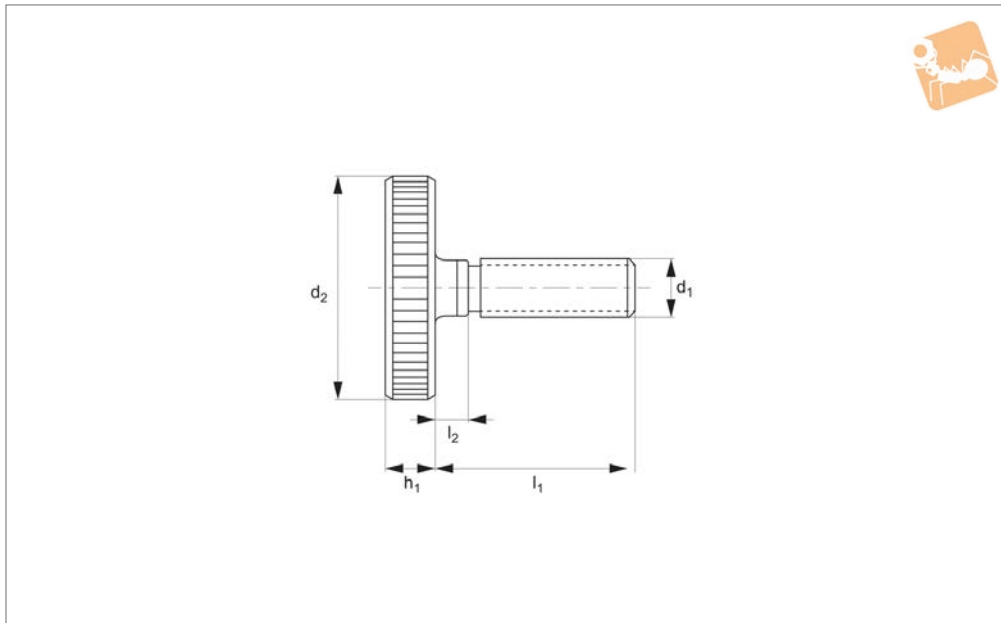


# Flat Knurled Thumb Screws

Flat Knurled A2 & A4 stainless



Thumb Screws



P0405.SS

THUMB SCREWS

### Material

Stainless steel (A2 AISI 303 or A4 AISI 316).

### Technical Notes

To DIN 653. Stainless steel 303 series is a

hard stainless steel which may (in harsh conditions) exhibit slight signs of rusting. Typically used in food and pharmaceutical applications. 303 stainless steel provides good resistance to corrosion, it is soft and

mildly magnetic. 316 stainless provides excellent corrosion resistance for use in highly caustic or marine environments and its non-magnetic.

Order No.	d <sub>1</sub>	l <sub>1</sub>	d <sub>2</sub>	h	l <sub>2</sub>	Material	Weight g
P0405.030-008-A2	M3	8	12	2.5	2	A2 s/s	6.1
P0405.030-010-A2	M3	10	12	2.5	2	A2 s/s	6.1
P0405.030-012-A2	M3	12	12	2.5	2	A2 s/s	6.1
P0405.030-016-A2	M3	16	12	2.5	2	A2 s/s	6.1
P0405.030-020-A2	M3	20	12	2.5	2	A2 s/s	6.1
P0405.040-008-A2	M4	8	16	3.5	3	A2 s/s	6.1
P0405.040-010-A2	M4	10	16	3.5	3	A2 s/s	6.2
P0405.040-012-A2	M4	12	16	3.5	3	A2 s/s	6.4
P0405.040-016-A2	M4	16	16	3.5	3	A2 s/s	6.7
P0405.040-020-A2	M4	20	16	3.5	3	A2 s/s	6.7
P0405.040-025-A2	M4	25	16	3.5	3	A2 s/s	6.7
P0405.040-030-A2	M4	30	16	3.5	3	A2 s/s	6.7
P0405.050-008-A2	M5	8	20	4.0	3	A2 s/s	11.0
P0405.050-010-A2	M5	10	20	4.0	3	A2 s/s	11.0
P0405.050-012-A2	M5	12	20	4.0	3	A2 s/s	11.3
P0405.050-016-A2	M5	16	20	4.0	3	A2 s/s	11.7
P0405.050-020-A2	M5	20	20	4.0	3	A2 s/s	12.0
P0405.050-025-A2	M5	25	20	4.0	3	A2 s/s	12.0
P0405.050-030-A2	M5	30	20	4.0	2	A2 s/s	12.0
P0405.060-010-A2	M6	10	24	5.0	4	A2 s/s	20.0
P0405.060-012-A2	M6	12	24	5.0	4	A2 s/s	20.0
P0405.060-016-A2	M6	16	24	5.0	4	A2 s/s	20.4
P0405.060-020-A2	M6	20	24	5.0	4	A2 s/s	21.0
P0405.060-025-A2	M6	25	24	5.0	4	A2 s/s	22.0
P0405.060-030-A2	M6	30	24	5.0	4	A2 s/s	22.0
P0405.080-012-A2	M8	12	30	6.0	5	A2 s/s	40.0
P0405.080-016-A2	M8	16	30	6.0	5	A2 s/s	40.0
P0405.080-020-A2	M8	20	30	6.0	5	A2 s/s	40.0
P0405.080-025-A2	M8	25	30	6.0	5	A2 s/s	42.0
P0405.080-030-A2	M8	30	30	6.0	5	A2 s/s	43.0
P0405.030-008-A4	M3	8	12	2.5	2	A4 s/s	6.1
P0405.030-010-A4	M3	10	12	2.5	2	A4 s/s	6.1



THUMB SCREWS

Order No.	d <sub>1</sub>	l <sub>1</sub>	d <sub>2</sub>	h	l <sub>2</sub>	Material	Weight g
P0405.030-012-A4	M3	12	12	2.5	2	A4 s/s	6.1
P0405.030-016-A4	M3	16	12	2.5	2	A2 s/s	6.1
P0405.030-020-A4	M3	20	12	2.5	2	A4 s/s	6.1
P0405.040-008-A4	M4	8	16	3.5	3	A4 s/s	6.1
P0405.040-010-A4	M4	10	16	3.5	3	A4 s/s	6.2
P0405.040-012-A4	M4	12	16	3.5	3	A4 s/s	6.4
P0405.040-016-A4	M4	16	16	3.5	3	A4 s/s	6.7
P0405.040-020-A4	M4	20	16	3.5	3	A4 s/s	6.7
P0405.040-025-A4	M4	25	16	3.5	3	A4 s/s	6.7
P0405.040-030-A4	M4	30	16	3.5	3	A4 s/s	6.7
P0405.050-008-A4	M5	8	20	4.0	3	A4 s/s	11.0
P0405.050-010-A4	M5	10	20	4.0	3	A4 s/s	11.0
P0405.050-012-A4	M5	12	20	4.0	3	A4 s/s	11.3
P0405.050-016-A4	M5	16	20	4.0	3	A4 s/s	11.7
P0405.050-020-A4	M5	20	20	4.0	3	A4 s/s	12.0
P0405.050-025-A4	M5	25	20	4.0	3	A4 s/s	12.0
P0405.050-030-A4	M5	30	20	4.0	3	A4 s/s	12.0
P0405.060-010-A4	M6	10	24	5.0	4	A4 s/s	20.0
P0405.060-012-A4	M6	12	24	5.0	4	A4 s/s	20.0
P0405.060-016-A4	M6	16	24	5.0	4	A4 s/s	20.4
P0405.060-020-A4	M6	20	24	5.0	4	A4 s/s	21.0
P0405.060-025-A4	M6	25	24	5.0	4	A4 s/s	22.0
P0405.060-030-A4	M6	30	24	5.0	4	A4 s/s	22.0
P0405.080-012-A4	M8	12	30	6.0	5	A4 s/s	40.0
P0405.080-016-A4	M8	16	30	6.0	5	A4 s/s	40.0
P0405.080-020-A4	M8	20	30	6.0	5	A4 s/s	40.0
P0405.080-025-A4	M8	25	30	6.0	5	A4 s/s	42.0
P0405.080-030-A4	M8	30	30	6.0	5	A4 s/s	43.0

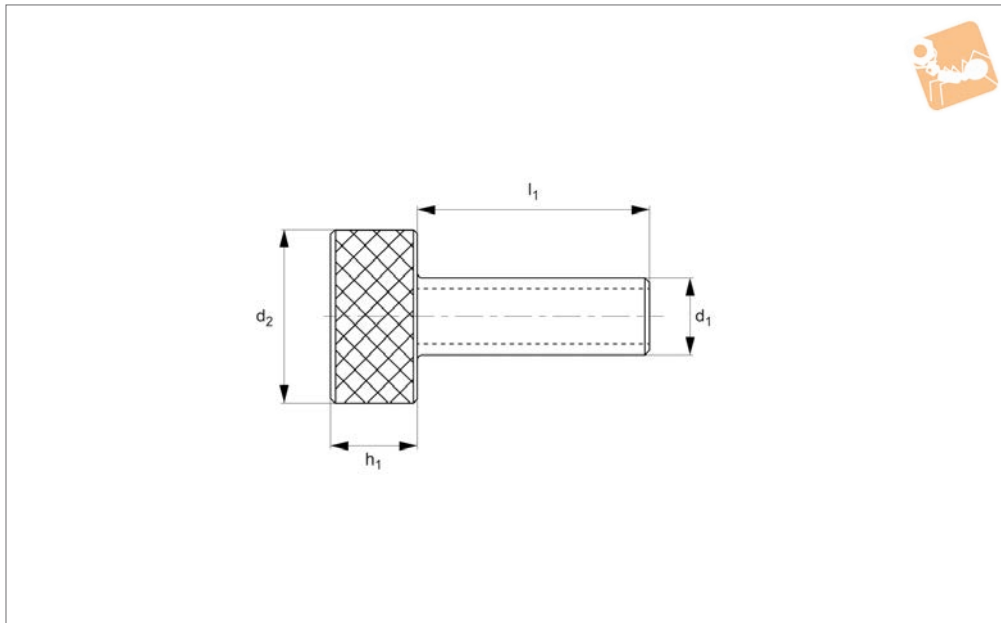


# Narrow Head Thumb Screws

303 series stainless



## Thumb Screws



**P0437.A2**

THUMB SCREWS

### Material

Stainless steel (AISI 303 series 1.4305).

### Technical Notes

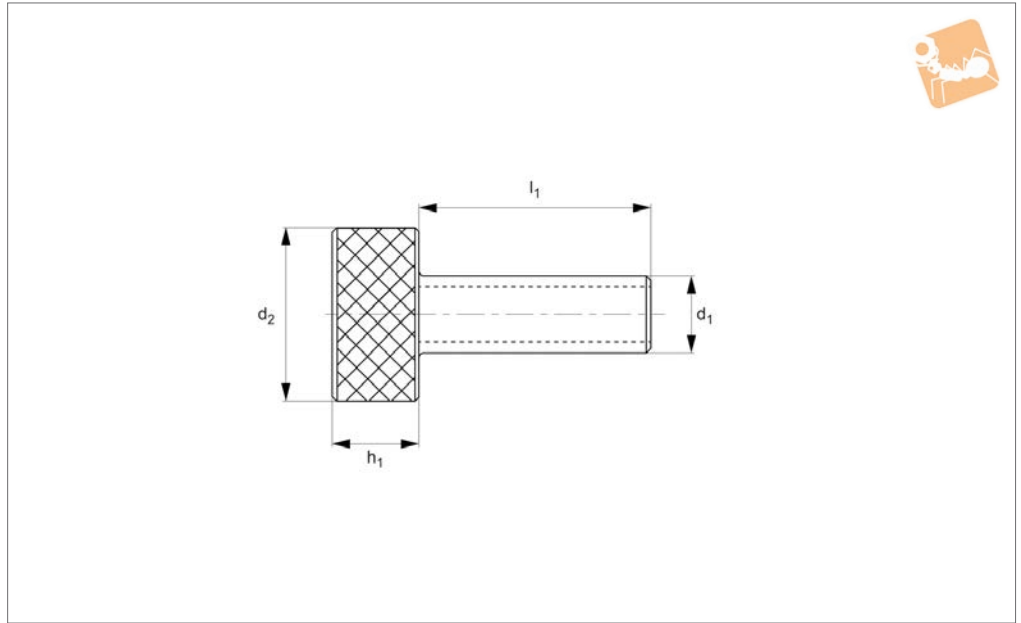
Stainless steel 303 series is a hard stain-

less steel which may (in harsh conditions) exhibit slight signs of rusting. Typically used in food and pharmaceutical applications.

Order No.	d <sub>1</sub>	l <sub>1</sub>	d <sub>2</sub>	h <sub>1</sub>
P0437.030-008-A2	M 3	8	8	5
P0437.030-010-A2	M 3	10	8	5
P0437.030-012-A2	M 3	12	8	5
P0437.030-014-A2	M 3	14	8	5
P0437.040-008-A2	M 4	8	10	5
P0437.040-010-A2	M 4	10	10	5
P0437.040-012-A2	M 4	12	10	5
P0437.040-014-A2	M 4	14	10	5
P0437.040-016-A2	M 4	16	10	5
P0437.050-008-A2	M 5	8	12	5
P0437.050-010-A2	M 5	10	12	5
P0437.050-012-A2	M 5	12	12	5
P0437.050-014-A2	M 5	14	12	5
P0437.050-016-A2	M 5	16	12	5
P0437.060-012-A2	M 6	12	13	6
P0437.060-014-A2	M 6	14	13	6
P0437.060-016-A2	M 6	16	13	6
P0437.060-018-A2	M 6	18	13	6
P0437.060-020-A2	M 6	20	13	6



**P0437.A4**



**Material**

Stainless steel (AISI 316 series 1.4401).

**Technical Notes**

316 series stainless steel is the most corro-

sion resistant alloy of stainless steel. It resists corrosion from seawater and strong chemicals. Suitable for outdoor use and in marine, medical and chemical applica-

tions.

Order No.	d <sub>1</sub>	l <sub>1</sub>	d <sub>2</sub>	h <sub>1</sub>
P0437.030-008-A4	M 3	8	8	5
P0437.030-010-A4	M 3	10	8	5
P0437.030-012-A4	M 3	12	8	5
P0437.030-014-A4	M 3	14	8	5
P0437.040-008-A4	M 4	8	10	5
P0437.040-010-A4	M 4	10	10	5
P0437.040-012-A4	M 4	12	10	5
P0437.040-014-A4	M 4	14	10	5
P0437.040-016-A4	M 4	16	10	5
P0437.050-008-A4	M 5	8	12	5
P0437.050-010-A4	M 5	10	12	5
P0437.050-012-A4	M 5	12	12	5
P0437.050-014-A4	M 5	14	12	5
P0437.050-016-A4	M 5	16	12	5
P0437.060-012-A4	M 6	12	13	6
P0437.060-014-A4	M 6	14	13	6
P0437.060-016-A4	M 6	16	13	6
P0437.060-018-A4	M 6	18	13	6
P0437.060-020-A4	M 6	20	13	6

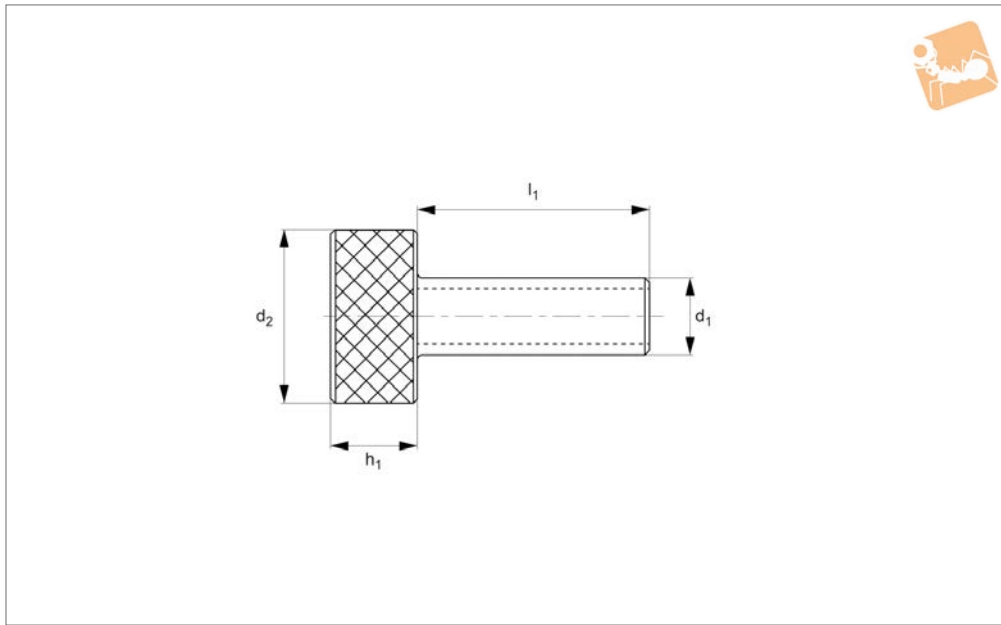


# Narrow Head Thumb Screws

303 stainless, blackened



## Thumb Screws



**P0437.B2**

THUMB SCREWS

### Material

Stainless steel (AISI 303 series 1.4305), with black oxide coating.

steel which may (in harsh conditions) exhibit slight signs of rusting. Typically used in food and pharmaceutical applications.

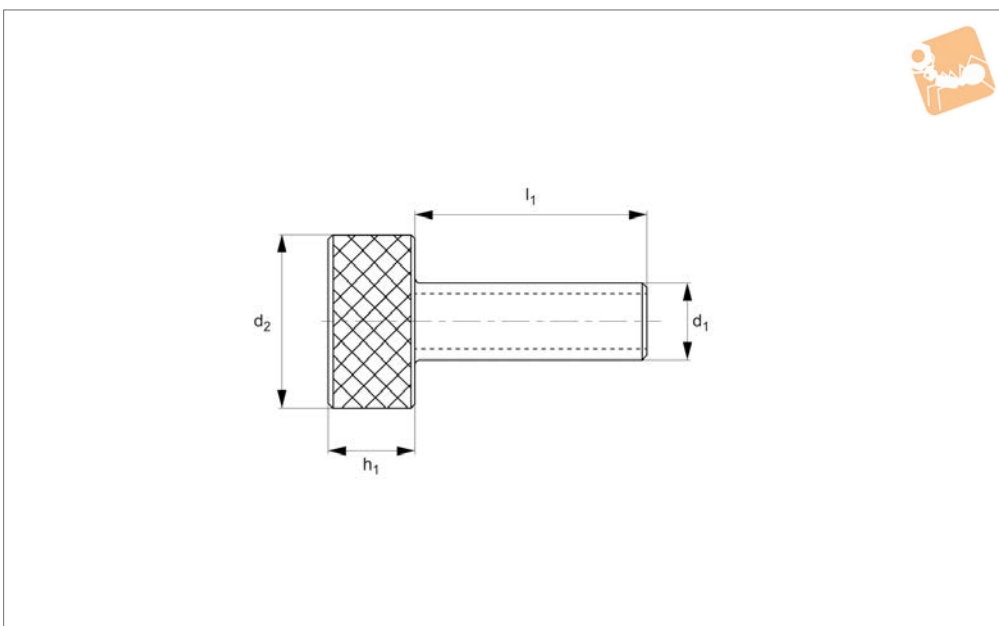
### Technical Notes

303 series stainless steel is a hard stainless

Order No.	d <sub>1</sub>	l <sub>1</sub>	d <sub>2</sub>	h <sub>1</sub>
P0437.030-008-B2	M 3	8	8	5
P0437.030-010-B2	M 3	10	8	5
P0437.030-012-B2	M 3	12	8	5
P0437.030-014-B2	M 3	14	8	5
P0437.040-008-B2	M 4	8	10	5
P0437.040-010-B2	M 4	10	10	5
P0437.040-012-B2	M 4	12	10	5
P0437.040-014-B2	M 4	14	10	5
P0437.040-016-B2	M 4	16	10	5
P0437.050-008-B2	M 5	8	12	5
P0437.050-010-B2	M 5	10	12	5
P0437.050-012-B2	M 5	12	12	5
P0437.050-014-B2	M 5	14	12	5
P0437.050-016-B2	M 5	16	12	5
P0437.060-012-B2	M 6	12	13	6
P0437.060-014-B2	M 6	14	13	6
P0437.060-016-B2	M 6	16	13	6
P0437.060-018-B2	M 6	18	13	6
P0437.060-020-B2	M 6	20	13	6



**P0437.B4**



**Material**

Stainless steel (AISI 316 series 1.4401), with black oxide coating.

Corrosion resistant alloy of stainless steel. It resists corrosion from seawater and strong chemicals. Suitable for outdoor use and in marine, medical and chemical applications.

**Technical Notes**

316 series stainless steel is the most corro-

Order No.	d <sub>1</sub>	l <sub>1</sub>	d <sub>2</sub>	h <sub>1</sub>
P0437.030-008-B4	M 3	8	8	5
P0437.030-010-B4	M 3	10	8	5
P0437.030-012-B4	M 3	12	8	5
P0437.030-014-B4	M 3	14	8	5
P0437.040-008-B4	M 4	8	10	5
P0437.040-010-B4	M 4	10	10	5
P0437.040-012-B4	M 4	12	10	5
P0437.040-014-B4	M 4	14	10	5
P0437.040-016-B4	M 4	16	10	5
P0437.050-008-B4	M 5	8	12	5
P0437.050-010-B4	M 5	10	12	5
P0437.050-012-B4	M 5	12	12	5
P0437.050-014-B4	M 5	14	12	5
P0437.050-016-B4	M 5	16	12	5
P0437.060-012-B4	M 6	12	13	6
P0437.060-014-B4	M 6	14	13	6
P0437.060-016-B4	M 6	16	13	6
P0437.060-018-B4	M 6	18	13	6
P0437.060-020-B4	M 6	20	13	6