



Clevis Joints

Stocked to DIN 71752 in steel and stainless steel. Plain clevis joints or clevis joints and pin assemblies available in right and left hand threads zinc plated steel and stainless steel.

Sizes Steel from M4 up to M48, stainless from M4 up to M27.



Pages 16 - 38

Male Clevis Joints

Stocked in zinc plated steel and stainless steel, right and left hand threads.

Sizes M6 up to M20.

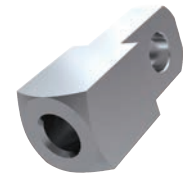


Pages 40 - 43

Clevis Mating Pieces

These are designed to fit in between our clevis joints to create a linkage where an angular offset is required. Available in zinc plated steel and stainless steel.

Sizes M4 up to M20.



Pages 44 - 47

Clevis Retention Clips

These are the most popular type of clip used with our clevis joints. They create a neat compact assembly, only available in zinc plated steel.

Sizes Available for clevis joints from 4mm up to 20mm.



Pages 49- 50

Clevis Pins and Clips

Various styles of pins and clips to suit clevis joints in zinc plated steel and stainless steel.

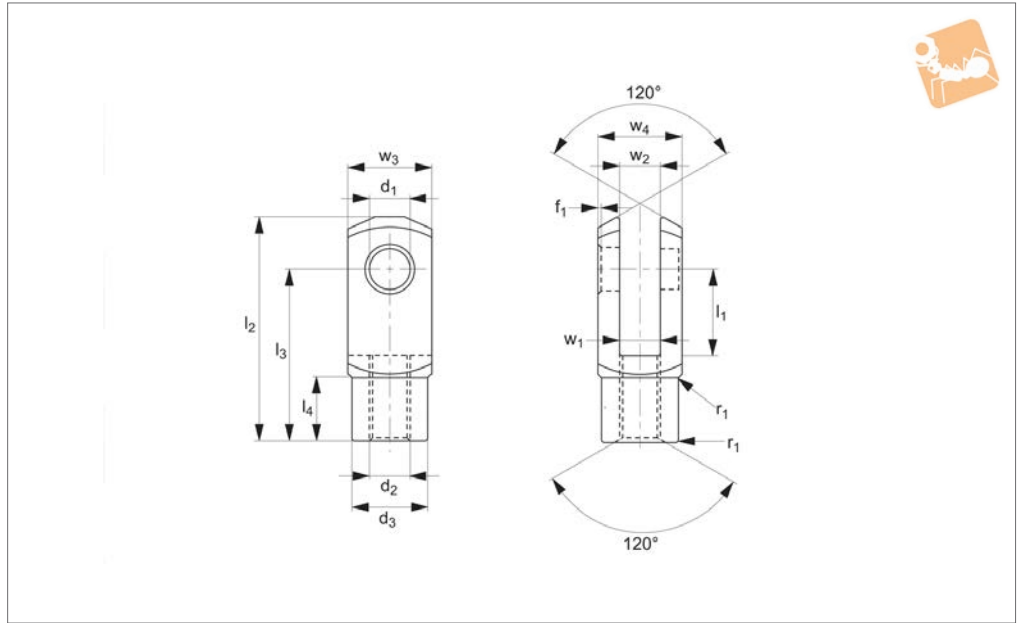
Sizes Available to suit all sizes of clevis joints we offer.



Pages 51 - 62



R3385



Material

Steel 1.0718 (11SMnPb30k), silver zinc plated.

Technical Notes

M4-M16: DIN 71 752/DIN ISO 8140.

M18-M48: Similar to DIN 71 752/DIN ISO 8140 and according to CETOP standard.

Tips

For yellow zinc plated version see R3393, standard thread is right hand, (for left

hand, see R3386).

Important Notes

For sizes M4-M12, f_1 and $r_1=0,5$, for sizes M14-M16, f_1 and $r_1=1$

For sizes M18-M20, $f_1=1$, $r_1=1,5$, for M24 f_1 and $r_1=1,5$, for sizes M27-M30, $f_1=1,5$, $r_1=2$

For M36 $f_1=2$, $r_1=3$, for sizes M42-M48, $f_1=3$, $r_1=5$, for r_1 , radius or 45° bevelling. Other Tolerances:-

w_4 : M4-M16 = +0,3 -0,16

M18-M48 = +0,5 -0,2

w_2 : size 4x8-10x20 = B13

All others +0,7 +0,15

d_3 : M4-M16 = ±0,3

l_2 : size 4x8-6x12 = ±0,3

All others ±0,4

l_3 : M4-M16 = ±0,2

M18-M48 = ±0,3

r_1 : M18-M48 = ±0,5

Order No.	Size	Thread hand	Thread type	d_1 tol. H9	l_1 ±0.5	d_2	d_3	l_2 ±0.5	l_3	l_4	w_1 tol. B13	w_2	w_3 tol. h11	w_4	Weight g
R3385.R040	4x8	Right	Coarse	4	8	M4	8	21	16	6.0	4	4	8	8	5
R3385.R041	4x16	Right	Coarse	4	16	M4	8	29	24	6.0	4	4	8	8	7
R3385.R051	5x10	Right	Coarse	5	10	M5	9	26	20	7.5	5	5	10	10	9
R3385.R052	5x20	Right	Coarse	5	20	M5	9	36	30	7.5	5	5	10	10	13
R3385.R061	6x12	Right	Coarse	6	12	M6	10	31	24	9.0	6	6	12	12	15
R3385.R062	6x24	Right	Coarse	6	24	M6	10	43	36	9.0	6	6	12	12	21
R3385.R081	8x16	Right	Coarse	8	16	M8	14	42	32	12.0	8	8	16	16	37
R3385.R082	8x16	Right	Fine	8	16	M8x1	14	42	32	12.0	8	8	16	16	37
R3385.R083	8x32	Right	Coarse	8	32	M8	14	58	48	12.0	8	8	16	16	54
R3385.R084	8x32	Right	Fine	8	32	M8x1	14	58	48	12.0	8	8	16	16	54
R3385.R102	10x20	Right	Coarse	10	20	M10	18	52	40	15.0	10	10	20	20	74
R3385.R103	10x20	Right	Fine	10	20	M10x1,25	18	52	40	15.0	10	10	20	20	74
R3385.R104	10x40	Right	Coarse	10	40	M10	18	72	60	15.0	10	10	20	20	116
R3385.R105	10x40	Right	Fine	10	40	M10x1,25	18	72	60	15.0	10	10	20	20	116
R3385.R122	12x24	Right	Coarse	12	24	M12	20	62	48	18.0	12	12	24	24	121
R3385.R123	12x24	Right	Fine	12	24	M12x1,25	20	62	48	18.0	12	12	24	24	121
R3385.R124	12x48	Right	Coarse	12	48	M12	20	86	72	18.0	12	12	24	24	175
R3385.R125	12x48	Right	Fine	12	48	M12x1,25	20	86	72	18.0	12	12	24	24	175
R3385.R142	14x28	Right	Coarse	14	28	M14	24	72	56	22.5	14	14	27	27	178
R3385.R143	14x28	Right	Fine	14	28	M14x1,5	24	72	56	22.5	14	14	27	27	178
R3385.R145	14x56	Right	Coarse	14	56	M14	24	101	85	22.5	14	14	27	27	258
R3385.R146	14x56	Right	Fine	14	56	M14x1,5	24	101	85	22.5	14	14	27	27	258
R3385.R163	16x32	Right	Coarse	16	32	M16	26	83	64	24.0	16	16	32	32	282
R3385.R164	16x32	Right	Fine	16	32	M16x1,5	26	83	64	24.0	16	16	32	32	282
R3385.R166	16x64	Right	Coarse	16	64	M16	26	115	96	24.0	16	16	32	32	411
R3385.R167	16x64	Right	Fine	16	64	M16x1,5	26	115	96	24.0	16	16	32	32	411



Steel Clevis Joints

silver zinc plated

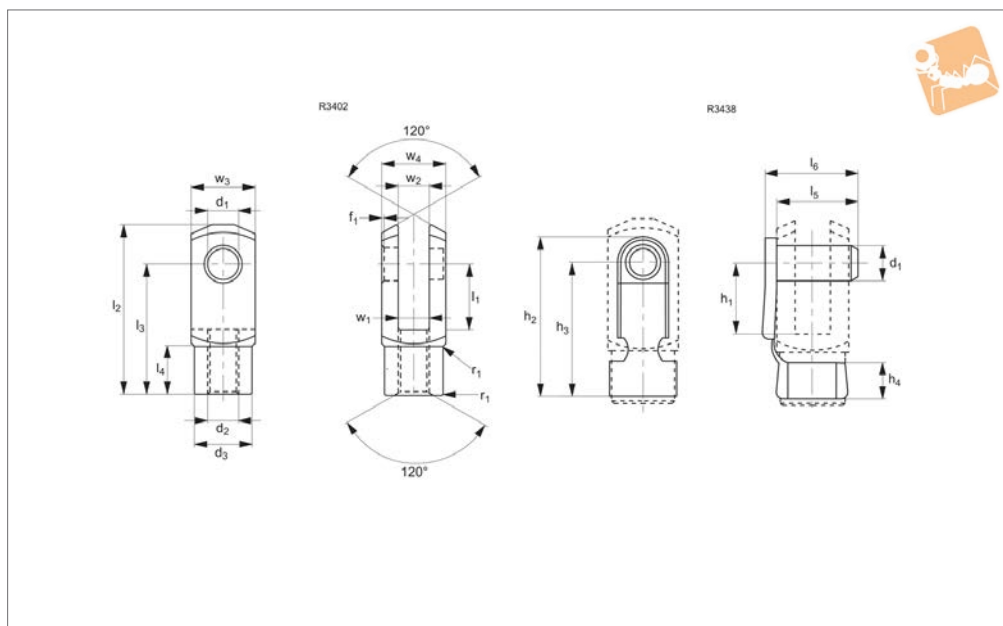
Clevis Joints & Clips

Order No.	Size	Thread hand	Thread type	d ₁ tol. H9	l ₁ ±0.5	d ₂	d ₃	l ₂ ±0.5	l ₃	l ₄	w ₁ tol. B13	w ₂	w ₃ tol. h11	w ₄	Weight g
R3385.R183	18x36	Right	Coarse	18	36	M18	30	94	72	27.0	18	18	36	36	390
R3385.R184	18x36	Right	Fine	18	36	M18x1,5	30	94	72	27.0	18	18	36	36	390
R3385.R204	20x40	Right	Coarse	20	40	M20	34	105	80	30.0	20	20	40	40	550
R3385.R205	20x40	Right	Fine	20	40	M20x1,5	34	105	80	30.0	20	20	40	40	550
R3385.R208	20x80	Right	Coarse	20	80	M20	34	145	120	30.0	20	20	40	40	800
R3385.R209	20x80	Right	Fine	20	80	M20x1,5	34	145	120	30.0	20	20	40	40	800
R3385.R255	25x50	Right	Coarse	25	50	M24	42	132	100	36.0	25	25	50	50	1100
R3385.R256	25x50	Right	Fine	25	50	M24x2	42	132	100	36.0	25	25	50	50	1100
R3385.R285	28x56	Right	Coarse	28	56	M27	48	148	112	40.0	28	28	55	55	1500
R3385.R286	28x56	Right	Fine	28	56	M27x2	48	148	112	40.0	28	28	55	55	1500
R3385.R305	30x54	Right	Fine	30	54	M27x2	48	148	110	40.0	30	30	55	55	1440
R3385.R306	30x60	Right	Coarse	30	60	M30	52	160	120	42.0	30	30	60	60	1970
R3385.R307	30x60	Right	Fine	30	60	M30x2	52	160	120	42.0	30	30	60	60	1970
R3385.R355	35x54	Right	Fine	35	54	M36x2	60	188	144	54.0	35	35	70	70	2930
R3385.R357	35x72	Right	Coarse	35	72	M36	60	188	144	54.0	35	35	70	70	2930
R3385.R358	35x72	Right	Fine	35	72	M36x2	60	188	144	54.0	35	35	70	70	2930
R3385.R367	36x72	Right	Coarse	35	72	M36	60	188	144	54.0	36	36	70	70	2930
R3385.R368	36x72	Right	Fine	35	72	M36x2	60	188	144	54.0	36	36	70	70	2930
R3385.R408	40x84	Right	Fine	40	84	M42x2	70	232	168	63.5	40	40	85	85	5640
R3385.R428	42x84	Right	Coarse	42	84	M42	70	232	168	63.5	42	42	85	85	5340
R3385.R429	42x84	Right	Fine	42	84	M42x2	70	232	168	63.5	42	42	85	85	5340
R3385.R509	50x96	Right	Coarse	50	96	M48	82	265	192	73.0	50	50	96	96	7860
R3385.R510	50x96	Right	Fine	50	96	M48x2	82	265	192	73.0	50	50	96	96	7860

CLEVIS JOINTS & CLIPS



R3400



Material

Stainless steel 1.4305 AISI 303.

Technical Notes

M4-M16: DIN 71 752/DIN ISO 8140.

M20: Similar to DIN 71 752/DIN ISO 8140 and according to CETOP standard..

Tips

For left hand, see R3401.

Assembly made up using R3402 clevis joint and R3438 clevis retention clip.

Important Notes

For sizes M4-M12, f_1 and $r_1 = 0,5$, for sizes

M14-M16, f_1 and $r_1 = 1$

For sizes M18-M20, $f_1 = 1$, $r_1 = 1,5$ other

Tolerances:-

w_4 : M4-M16 = $+0,3 -0,16$

M20

w_2 : size 4x8-10x20 = B13

All others $+0,7 +0,15$

d_3 : M4-M16 = $\pm 0,3$

l_2 : size 4x8-6x12 = $\pm 0,3$

All others $\pm 0,4$

l_3 : M4-M16 = $\pm 0,2$

M20

Order No.	Size	Thread hand	Thread type	d_1	l_1	d_2	d_3	l_2	l_3	Weight g
R3400.R040	4x8	right	Coarse	4	8	M 4	8	21	16	7
R3400.R051	5x10	right	Coarse	5	10	M 5	9	26	20	12
R3400.R052	5x20	Right	Coarse	5	20	M 5	9	36	30	16
R3400.R061	6x12	Right	Coarse	6	12	M 6	10	31	24	20
R3400.R062	6x24	Right	Coarse	6	24	M 6	10	43	36	27
R3400.R081	8x16	Right	Coarse	6	16	M 8	14	42	32	48
R3400.R082	8x16	Right	Fine	8	16	M 8x1	14	42	32	48
R3400.R083	8x32	Right	Coarse	8	32	M 8	14	58	48	54
R3400.R084	8x32	Right	Fine	8	32	M 8x1	14	58	48	54
R3400.R102	10x20	Right	Coarse	10	20	M10	18	52	40	74
R3400.R103	10x20	Right	Fine	10	20	M10x1,25	18	50	40	74
R3400.R104	10x40	Right	Coarse	10	40	M10	18	72	60	116
R3400.R105	10x40	Right	Fine	10	40	M10x1,25	18	72	60	116
R3400.R122	12x24	Right	Coarse	12	24	M12	20	62	48	121
R3400.R123	12x24	Right	Fine	12	24	M12x1,25	20	62	48	121
R3400.R124	12x48	Right	Coarse	12	45	M12	20	86	72	175
R3400.R125	12x48	Right	Fine	12	48	M12x1,25	20	86	72	175
R3400.R142	14x28	Right	Coarse	14	28	M14	24	72	56	178
R3400.R143	14x28	Right	Fine	14	28	M14x1,5	24	72	56	178
R3400.R145	14x56	Right	Coarse	14	56	M14	24	101	85	258
R3400.R146	14x56	Right	Fine	14	56	M14x1,5	24	101	85	258
R3400.R163	16x32	Right	Coarse	16	32	M16	26	83	64	282
R3400.R164	16x32	Right	Fine	16	32	M16x1,5	26	83	64	282
R3400.R166	16x64	Right	Coarse	16	64	M16	26	115	96	411
R3400.R167	16x64	Right	Fine	16	64	M16x1,5	26	115	96	411
R3400.R204	20x40	Right	Coarse	20	40	M20	34	105	80	550
R3400.R205	20x40	Right	Fine	20	40	M20x1,5	34	105	80	550



RH Clevis Joints with Retention Clip

Stainless Steel

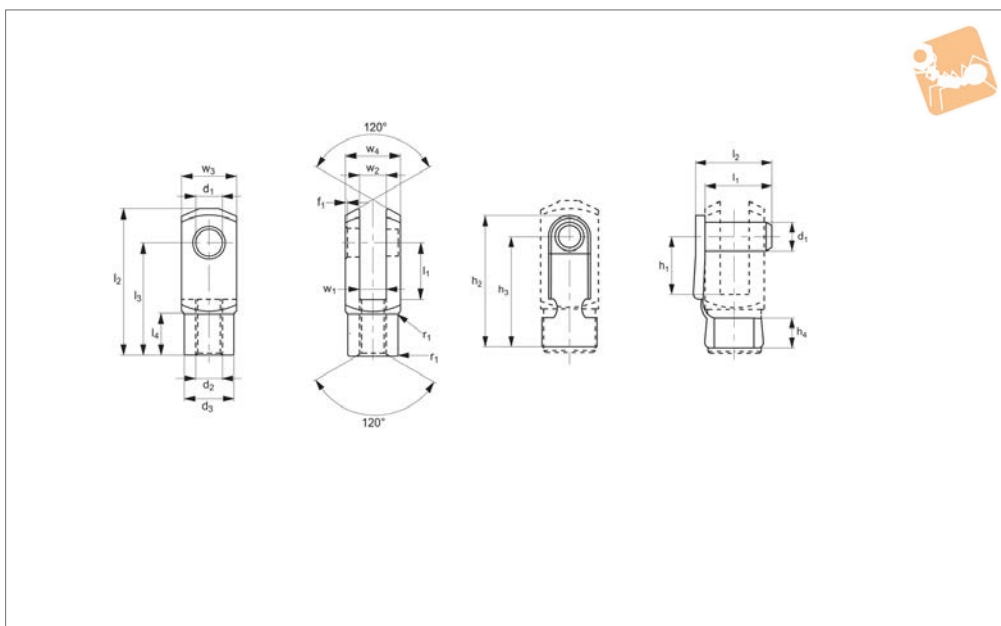
Clevis Joints & Clips

Order No.	l ₄	l ₅	l ₆	h ₁	h ₂	h ₃	h ₄	w ₁	w ₂	w ₃	w ₄
R3400.R040	6	9	11	8	19	15	4	4	4	4	4
R3400.R051	7.5	9	15	10	23	19	4.5	5	5	10	10
R3400.R052	7.5	12	14	20	33	29	4.5	5	5	10	10
R3400.R061	9	14	16	12	28	23	6	6	6	12	12
R3400.R062	9	14	16	24	40	35	6	6	6	12	12
R3400.R081	12	19	23	16	37	31	8	8	8	16	16
R3400.R082	12	19	23	16	37	31	8	8	8	16	16
R3400.R083	12	19	23	32	53	47	8	8	8	16	16
R3400.R084	12	19	23	32	53	47	8	8	8	16	16
R3400.R102	15	23	27	20	46	39	10	10	10	20	20
R3400.R103	15	23	27	20	46	39	10	10	10	20	20
R3400.R104	15	23	27	40	66	59	10	10	10	20	20
R3400.R105	15	23	27	40	66	59	10	10	10	20	20
R3400.R122	18	28	32	24	55	46	12	12	12	24	24
R3400.R123	18	28	32	24	55	46	12	12	12	24	24
R3400.R124	18	28	32	48	79	71	12	12	12	24	24
R3400.R125	18	28	32	48	79	71	12	12	12	24	24
R3400.R142	22.5	31	35	28	62	52	14	14	14	27	27
R3400.R143	22.5	31	35	28	62	52	14	14	14	27	27
R3400.R145	22.5	31	35	56	92	82	14	14	14	27	27
R3400.R146	22.5	31	35	56	92	82	14	14	14	27	27
R3400.R163	24	36	40	32	72	62	16	16	16	32	32
R3400.R164	24	36	40	32	72	62	16	16	16	32	32
R3400.R166	24	36	40	64	103	92	16	16	16	32	32
R3400.R167	24	36	40	64	103	92	16	16	16	32	32
R3400.R204	30	44	48	40	88	72	16	20	20	40	40
R3400.R205	30	44	48	40	88	72	16	20	20	40	40

CLEVIS JOINTS & CLIPS



R3401



Material

Stainless steel 1.4305

Technical Notes

M4-M16: DIN 71 752/DIN ISO 8140.

M20: Similar to DIN 71 752/DIN ISO 8140 and according to CETOP standard.

Tips

For right hand, see R3400. Assembly made

up using R3403 clevis joint and R3438 clevis retention clip.

Important Notes

For sizes M4-M12, f_1 and $r_1 = 0,5$, for sizes

M14-M16, f_1 and $r_1 = 1$

For sizes M18-M20, $f_1 = 1$, $r_1 = 1,5$ other

Tolerances:-

w4: M4-M16 = $+0,3 -0,16$

M20

w2: size 4x8-10x20 = B13

All others $+0,7 +0,15$

d3: M4-M16 = $\pm 0,3$

l2: size 4x8-6x12 = $\pm 0,3$

All others $\pm 0,4$

l3: M4-M16 = $\pm 0,2$

M20

Order No.	Size	Thread hand	Thread type	d_1	l_1	d_2	d_3	l_2	Weight g
R3401.L040	4x8	Left	Coarse	4	8	M 4	8	21	7
R3401.L051	5x10	Left	Coarse	5	12	M 5	9	26	12
R3401.L052	5x20	Left	Coarse	5	20	M 5	9	36	16
R3401.L061	6x12	Left	Coarse	6	12	M 6	10	31	20
R3401.L062	6x24	Left	Coarse	6	24	M 6	10	43	54
R3401.L081	8x16	Left	Coarse	8	16	M 8	14	42	48
R3401.L082	8x16	Left	Fine	8	16	M 8x1	14	42	48
R3401.L083	8x32	Left	Coarse	8	32	M 8	14	58	54
R3401.L084	8x32	Left	Fine	8	32	M 8x1	14	58	54
R3401.L102	10x20	Left	Coarse	10	20	M10	18	52	74
R3403.L103	10x20	Left	Coarse	10	20	M10x1,25	18	52	74
R3401.L104	10x40	Left	Coarse	10	40	M10	18	72	116
R3401.L105	10x40	Left	Fine	10	40	M10x1,25	18	72	116
R3401.L122	12x24	Left	Coarse	12	24	M12	20	62	121
R3401.L123	12x24	Left	Fine	12	24	M12x1,25	20	62	121
R3401.L124	12x48	Left	Coarse	12	48	M12	20	86	175
R3401.L125	12x48	Left	Fine	12	48	M12x1,25	20	86	175
R3401.L142	14x28	Left	Coarse	14	28	M14	24	72	178
R3401.L143	14x28	Left	Fine	14	28	M14x1,5	24	72	178
R3401.L145	14x56	Left	Coarse	14	56	M14	24	101	258
R3401.L146	14x56	Left	Fine	14	56	M14x1,5	24	101	258
R3401.L163	16x32	Left	Coarse	16	32	M16	26	83	282
R3401.L164	16x32	Left	Fine	16	32	M16x1,5	26	83	282
R3401.L166	16x64	Left	Coarse	16	64	M16	26	115	411
R3401.L167	16x64	Left	Fine	16	64	M16x1,5	26	115	411
R3401.L204	20x40	Left	Coarse	20	40	M20	34	105	550
R3401.L205	20x40	Left	Fine	20	40	M20x1,5	34	105	550



LH Clevis Joints with Retention Clip

stainless steel

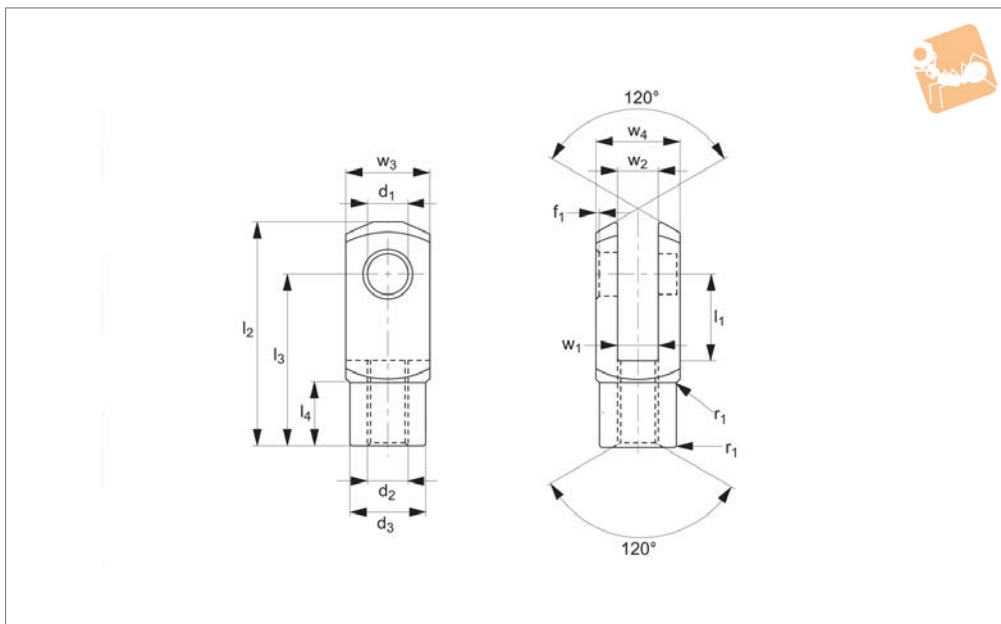
Clevis Joints & Clips

Order No.	l ₃	l ₄	l ₅	l ₆	h ₁	h ₂	h ₃	h ₄	w ₁	w ₂	w ₃	w ₄
R3401.L040	16	6.0	9	11	8	19	15	4.0	4	4	8	8
R3401.L051	30	7.5	9	14	10	23	19	4.5	5	5	10	10
R3401.L052	30	7.5	12	14	20	33	29	4.5	5	5	10	10
R3401.L061	24	9.0	14	16	12	28	23	6.0	6	6	12	12
R3401.L062	36	9.0	14	16	24	40	35	6.0	6	6	12	12
R3401.L081	32	12.0	19	23	16	37	31	8.0	8	8	16	16
R3401.L082	32	12.0	19	23	16	37	31	8.0	8	8	16	16
R3401.L083	48	12.0	19	23	32	53	47	8.0	8	8	16	16
R3401.L084	48	12.0	19	23	32	53	47	8.0	8	8	16	16
R3401.L102	40	15.0	23	27	20	46	39	10.0	10	10	20	20
R3403.L103	40	15.0	23	27	20	46	39	10.0	10	10	20	20
R3401.L104	60	15.0	23	27	40	66	59	10.0	10	10	20	20
R3401.L105	60	15.0	23	27	40	66	59	10.0	10	10	20	20
R3401.L122	48	18.0	28	32	24	55	46	12.0	12	12	24	24
R3401.L123	48	18.0	28	32	24	55	46	12.0	12	12	24	24
R3401.L124	72	18.0	28	32	48	79	71	12.0	12	12	24	24
R3401.L125	72	18.0	28	32	48	79	71	12.0	12	12	24	24
R3401.L142	56	22.5	31	35	28	62	52	14.0	14	14	27	27
R3401.L143	56	22.5	31	35	28	62	52	14.0	14	14	27	27
R3401.L145	85	22.5	31	35	56	92	82	14.0	14	14	27	27
R3401.L146	85	22.5	31	35	56	92	82	14.0	14	14	27	27
R3401.L163	64	24.0	36	40	32	72	62	16.0	16	16	32	32
R3401.L164	64	24.0	36	40	32	72	62	16.0	16	16	32	32
R3401.L166	96	24.0	36	40	64	103	92	16.0	16	16	32	32
R3401.L167	96	24.0	36	40	64	103	92	16.0	16	16	32	32
R3401.L204	80	30.0	44	48	40	88	72	16.0	20	20	40	40
R3401.L205	80	30.0	44	48	40	88	72	16.0	20	20	40	40

CLEVIS JOINTS & CLIPS



R3386



Material

Steel 1.0718 (11SMnPb30k), silver zinc plated.

Technical Notes

M4-M16: DIN 71 752/DIN ISO 8140.

M18-M48: Similar to DIN 71 752/DIN ISO 8140 and according to CETOP standard.

Tips

For yellow zinc plated version see R3394.

Important Notes

For sizes M4-M12, f_1 and $r_1 = 0,5$, for sizes M14-M16, f_1 and $r_1 = 1$

For sizes M18-M20, $f_1 = 1$, $r_1 = 1,5$, for M24 f_1 and $r_1 = 1,5$, for sizes M27-M30, $f_1 = 1,5$, $r_1 = 2$

For M36 $f_1 = 2$, $r_1 = 3$, for sizes M42-M48, $f_1 = 3$, $r_1 = 5$, for r_1 , radius or 45° bevelling.

Other Tolerances:-

w_4 : M4-M16 = +0,3 -0,16

M18-M48 = +0,5 -0,2

w_2 : size 4x8-10x20 = B13

All others +0,7 +0,15

d_3 : M4-M16 = ±0,3

l_2 : size 4x8-6x12 = ±0,3

All others ±0,4

l_3 : M4-M16 = ±0,2

M18-M48 = ±0,3

r_1 : M18-M48 = ±0,5

Order No.	Size	Thread hand	Thread type	d_1 tol. H9	l_1 ±0.5	d_2	d_3	l_2 ±0.5	l_3	l_4	w_1 tol. B13	w_2	w_3 tol. h11	w_4	Weight g
R3386.L040	4x8	Left	Coarse	4	8	M4	8	21	16	6.0	4	4	8	8	5
R3386.L041	4x16	Left	Coarse	4	16	M4	8	29	24	6.0	4	4	8	8	7
R3386.L051	5x10	Left	Coarse	5	10	M5	9	26	20	7.5	5	5	10	10	9
R3386.L052	5x20	Left	Coarse	5	20	M5	9	36	30	7.5	5	5	10	10	13
R3386.L061	6x12	Left	Coarse	6	12	M6	10	31	24	9.0	6	6	12	12	15
R3386.L062	6x24	Left	Coarse	6	24	M6	10	43	36	9.0	6	6	12	12	21
R3386.L081	8x16	Left	Coarse	8	16	M8	14	42	32	12.0	8	8	16	16	37
R3386.L082	8x16	Left	Fine	8	16	M8x1	14	42	32	12.0	8	8	16	16	37
R3386.L083	8x32	Left	Coarse	8	32	M8	14	58	48	12.0	8	8	16	16	54
R3386.L084	8x32	Left	Fine	8	32	M8x1	14	58	48	12.0	8	8	16	16	54
R3386.L102	10x20	Left	Coarse	10	20	M10	18	52	40	15.0	10	10	20	20	74
R3386.L103	10x20	Left	Fine	10	20	M10x1,25	18	52	40	15.0	10	10	20	20	74
R3386.L104	10x40	Left	Coarse	10	40	M10	18	72	60	15.0	10	10	20	20	116
R3386.L105	10x40	Left	Fine	10	40	M10x1,25	18	72	60	15.0	10	10	20	20	116
R3386.L122	12x24	Left	Coarse	12	24	M12	20	62	48	18.0	12	12	24	24	121
R3386.L123	12x24	Left	Fine	12	24	M12x1,25	20	62	48	18.0	12	12	24	24	121
R3386.L124	12x48	Left	Coarse	12	48	M12	20	86	72	18.0	12	12	24	24	175
R3386.L125	12x48	Left	Fine	12	48	M12x1,25	20	86	72	18.0	12	12	24	24	175
R3386.L142	14x28	Left	Coarse	14	28	M14	24	72	56	22.5	14	14	27	27	178
R3386.L143	14x28	Left	Fine	14	28	M14x1,5	24	72	56	22.5	14	14	27	27	178
R3386.L145	14x56	Left	Coarse	14	56	M14	24	101	85	22.5	14	14	27	27	258
R3386.L146	14x56	Left	Fine	14	56	M14x1,5	24	101	85	22.5	14	14	27	27	258
R3386.L163	16x32	Left	Coarse	16	32	M16	26	83	64	24.0	16	16	32	32	282
R3386.L164	16x32	Left	Fine	16	32	M16x1,5	26	83	64	24.0	16	16	32	32	282
R3386.L166	16x64	Left	Coarse	16	64	M16	26	115	96	24.0	16	16	32	32	411
R3386.L167	16x64	Left	Fine	16	64	M16x1,5	26	115	96	24.0	16	16	32	32	411



Steel Clevis Joints

left hand - silver zinc plated

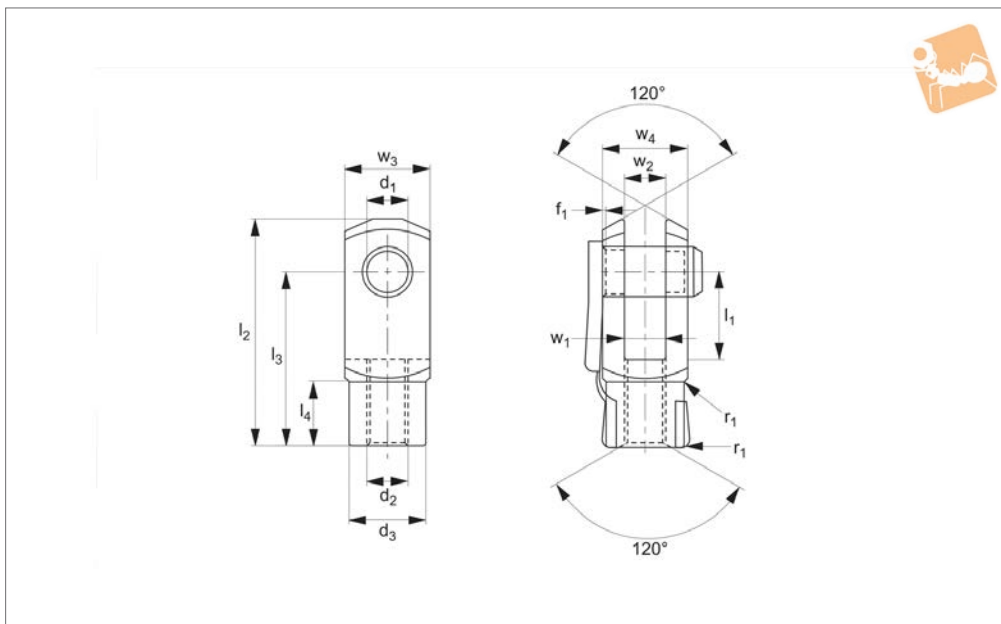
Clevis Joints & Clips

Order No.	Size	Thread hand	Thread type	d ₁ tol. H9	l ₁ ±0.5	d ₂	d ₃	l ₂ ±0.5	l ₃	l ₄	w ₁ tol. B13	w ₂	w ₃ tol. h11	w ₄	Weight g
R3386.L183	18x36	Left	Coarse	18	36	M18	30	94	72	27.0	18	18	36	36	390
R3386.L184	18x36	Left	Fine	18	36	M18x1,5	30	94	72	27.0	18	18	36	36	390
R3386.L204	20x40	Left	Coarse	20	40	M20	34	105	80	30.0	20	20	40	40	550
R3386.L205	20x40	Left	Fine	20	40	M20x1,5	34	105	80	30.0	20	20	40	40	550
R3386.L208	20x80	Left	Coarse	20	80	M20	34	145	120	30.0	20	20	40	40	800
R3386.L209	20x80	Left	Fine	20	80	M20x1,5	34	145	120	30.0	20	20	40	40	800
R3386.L255	25x50	Left	Coarse	25	50	M24	42	132	100	36.0	25	25	50	50	1100
R3386.L256	25x50	Left	Fine	25	50	M24x2	42	132	100	36.0	25	25	50	50	1100
R3386.L285	28x56	Left	Coarse	28	56	M27	48	148	112	40.0	28	28	55	55	1500
R3386.L286	28x56	Left	Fine	28	56	M27x2	48	148	112	40.0	28	28	55	55	1500
R3386.L305	30x54	Left	Fine	30	54	M27x2	48	148	110	40.0	30	30	55	55	1440
R3386.L306	30x60	Left	Coarse	30	60	M30	52	160	120	42.0	30	30	60	60	1970
R3386.L307	30x60	Left	Fine	30	60	M30x2	52	160	120	42.0	30	30	60	60	1970
R3386.L355	35x54	Left	Fine	35	54	M36x2	60	188	144	54.0	35	35	70	70	2930
R3386.L357	35x72	Left	Coarse	35	72	M36	60	188	144	54.0	35	35	70	70	2930
R3386.L358	35x72	Left	Fine	35	72	M36x2	60	188	144	54.0	35	35	70	70	2930
R3386.L367	36x72	Left	Coarse	35	72	M36	60	188	144	54.0	36	36	70	70	2930
R3386.L368	36x72	Left	Fine	35	72	M36x2	60	188	144	54.0	36	36	70	70	2930
R3386.L408	40x84	Left	Fine	40	84	M42x2	70	232	168	63.5	40	40	85	85	5640
R3386.L428	42x84	Left	Coarse	42	84	M42	70	232	168	63.5	42	42	85	85	5340
R3386.L429	42x84	Left	Fine	42	84	M42x2	70	232	168	63.5	42	42	85	85	5340
R3386.L509	50x96	Left	Coarse	50	96	M48	82	265	192	73.0	50	50	96	96	7860
R3386.L510	50x96	Left	Fine	50	96	M48x2	82	265	192	73.0	50	50	96	96	7860

CLEVIS JOINTS & CLIPS



R3387



Material

Steel 1.0718 (11SMnPb30k), silver zinc plated.

Technical Notes

M4-M16: DIN 71 752/DIN ISO 8140.

M20: Similar to DIN 71 752/DIN ISO 8140 and according to CETOP standard.

Tips

For yellow zinc plated version see R3398, standard thread is right hand, (for left hand, see R3388).

Assembly made up using R3385 clevis joint and R3435 clevis retention clip.

Important Notes

For sizes M4-M12, f_1 and $r_1=0,5$, for sizes M14-M16, f_1 and $r_1=1$

For sizes M18-M20, $f_1=1$, $r_1=1,5$, for M24 f_1 and $r_1=1,5$, for sizes M27-M30, $f_1=1,5$, $r_1=2$

For M36 $f_1=2$, $r_1=3$, for sizes M42-M48, $f_1=3$, $r_1=5$, for r_1 , radius or 45° bevelling.

Other Tolerances:-

w_4 : M4-M16 = +0,3 -0,16

M18-M48 = +0,5 -0,2

w_2 : size 4x8-10x20 = B13

All others +0,7 +0,15

d_3 : M4-M16 = ±0,3

l_2 : size 4x8-6x12 = ±0,3

All others ±0,4

l_3 : M4-M16 = ±0,2

M18-M48 = ±0,3

r_1 : M18-M48 = ±0,5

Order No.	Size	Thread hand	Thread type	d_1 tol. H9	l_1 ±0.5	d_2	d_3	l_2 ±0.5	l_3	l_4	w_1 tol. B13	w_2	w_3 tol. h11	w_4	Weight g
R3387.R040	4x8	Right	Coarse	4	8	M4	8	21	16	6.0	4	4	8	8	5
R3387.R051	5x10	Right	Coarse	5	10	M5	9	26	20	7.5	5	5	10	10	9
R3387.R052	5x20	Right	Coarse	5	20	M5	9	36	30	7.5	5	5	10	10	13
R3387.R061	6x12	Right	Coarse	6	12	M6	10	31	24	9.0	6	6	12	12	15
R3387.R062	6x24	Right	Coarse	6	24	M6	10	43	36	9.0	6	6	12	12	21
R3387.R081	8x16	Right	Coarse	8	16	M8	14	42	32	12.0	8	8	16	16	37
R3387.R082	8x16	Right	Fine	8	16	M8x1	14	42	32	12.0	8	8	16	16	37
R3387.R083	8x32	Right	Coarse	8	32	M8	14	58	48	12.0	8	8	16	16	54
R3387.R084	8x32	Right	Fine	8	32	M8x1	14	58	48	12.0	8	8	16	16	54
R3387.R102	10x20	Right	Coarse	10	20	M10	18	52	40	15.0	10	10	20	20	74
R3387.R103	10x20	Right	Fine	10	20	M10x1,25	18	52	40	15.0	10	10	20	20	74
R3387.R104	10x40	Right	Coarse	10	40	M10	18	72	60	15.0	10	10	20	20	116
R3387.R105	10x40	Right	Fine	10	40	M10x1,25	18	72	60	15.0	10	10	20	20	116
R3387.R122	12x24	Right	Coarse	12	24	M12	20	62	48	18.0	12	12	24	24	121
R3387.R123	12x24	Right	Fine	12	24	M12x1,25	20	62	48	18.0	12	12	24	24	121
R3387.R124	12x48	Right	Coarse	12	48	M12	20	86	72	18.0	12	12	24	24	175
R3387.R125	12x48	Right	Fine	12	48	M12x1,25	20	86	72	18.0	12	12	24	24	175
R3387.R142	14x28	Right	Coarse	14	28	M14	24	72	56	22.5	14	14	27	27	178
R3387.R143	14x28	Right	Fine	14	28	M14x1,5	24	72	56	22.5	14	14	27	27	178
R3387.R145	14x56	Right	Coarse	14	56	M14	24	101	85	22.5	14	14	27	27	258
R3387.R146	14x56	Right	Fine	14	56	M14x1,5	24	101	85	22.5	14	14	27	27	258
R3387.R163	16x32	Right	Coarse	16	32	M16	26	83	64	24.0	16	16	32	32	282
R3387.R164	16x32	Right	Fine	16	32	M16x1,5	26	83	64	24.0	16	16	32	32	282
R3387.R166	16x64	Right	Coarse	16	64	M16	26	115	96	24.0	16	16	32	32	411
R3387.R167	16x64	Right	Fine	16	64	M16x1,5	26	115	96	24.0	16	16	32	32	411



Steel Clevis Joints with Retention

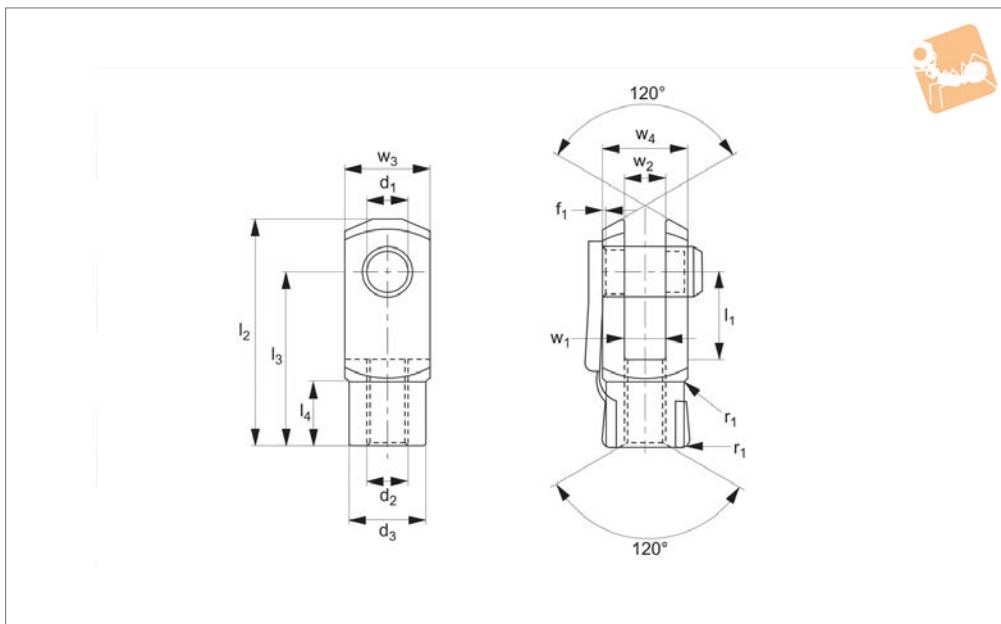
silver zinc plated

Clevis Joints & Clips

Order No.	Size	Thread hand	Thread type	d ₁ tol. H9	l ₁ ±0.5	d ₂	d ₃	l ₂ ±0.5	l ₃	l ₄	w ₁ tol. B13	w ₂	w ₃ tol. h11	w ₄	Weight g
R3387.R204	20x40	Right	Coarse	20	40	M20	34	105	80	30.0	20	20	40	40	550
R3387.R205	20x40	Right	Fine	20	40	M20x1,5	34	105	80	30.0	20	20	40	40	550



R3388



Material

Steel 1.0718 (11SMnPb30k), silver zinc plated.

Technical Notes

M4-M16: DIN 71 752/DIN ISO 8140.

M20: Similar to DIN 71 752/DIN ISO 8140 and according to CETOP standard.

Tips

For yellow zinc plated version see R3399, assembly made up using R3386 clevis joint

and R3435 clevis retention clip.

Important Notes

For sizes M4-M12, f_1 and $r_1=0,5$

For sizes M4-M16, f_1 and $r_1=1$

For sizes M20, $f_1=1$, $r_1=1,5$

For r_1 , radius or 45° bevelling.

Other Tolerances:-

w_4 : M4-M16 = +0,3 -0,16

M20 = +0,5 -0,2

w_2 : size 4x8-10x20 = B13

All others +0,7 +0,15

d_3 : M4-M16 = $\pm 0,3$

l_2 : size 4x8-6x12 = $\pm 0,3$

All others $\pm 0,4$

l_3 : M4-M16 = $\pm 0,2$

M20 = $\pm 0,3$

r_1 : M20 = $\pm 0,5$

Order No.	Size	Thread hand	Thread type	d_1 tol. H9	l_1 $\pm 0,5$	d_2	d_3	l_2 $\pm 0,5$	l_3	l_4	w_1 tol. B13	w_2	w_3 tol. h11	w_4	Weight g
R3388.L040	4x8	Left	Coarse	4	8	M4	8	21	16	6.0	4	4	8	8	5
R3388.L051	5x10	Left	Coarse	5	10	M5	9	26	20	7.5	5	5	10	10	9
R3388.L052	5x20	Left	Coarse	5	20	M5	9	36	30	7.5	5	5	10	10	13
R3388.L061	6x12	Left	Coarse	6	12	M6	10	31	24	9.0	6	6	12	12	15
R3388.L062	6x24	Left	Coarse	6	24	M6	10	43	36	9.0	6	6	12	12	21
R3388.L081	8x16	Left	Coarse	8	16	M8	14	42	32	12.0	8	8	16	16	37
R3388.L082	8x16	Left	Fine	8	16	M8x1	14	42	32	12.0	8	8	16	16	37
R3388.L083	8x32	Left	Coarse	8	32	M8	14	58	48	12.0	8	8	16	16	54
R3388.L084	8x32	Left	Fine	8	32	M8x1	14	58	48	12.0	8	8	16	16	54
R3388.L102	10x20	Left	Coarse	10	20	M10	18	52	40	15.0	10	10	20	20	74
R3388.L103	10x20	Left	Fine	10	20	M10x1,25	18	52	40	15.0	10	10	20	20	74
R3388.L104	10x40	Left	Coarse	10	40	M10	18	72	60	15.0	10	10	20	20	116
R3388.L105	10x40	Left	Fine	10	40	M10x1,25	18	72	60	15.0	10	10	20	20	116
R3388.L122	12x24	Left	Coarse	12	24	M12	20	62	48	18.0	12	12	24	24	121
R3388.L123	12x24	Left	Fine	12	24	M12x1,25	20	62	48	18.0	12	12	24	24	121
R3388.L124	12x48	Left	Coarse	12	48	M12	20	86	72	18.0	12	12	24	24	175
R3388.L125	12x48	Left	Fine	12	48	M12x1,25	20	86	72	18.0	12	12	24	24	175
R3388.L142	14x28	Left	Coarse	14	28	M14	24	72	56	22.5	14	14	27	27	178
R3388.L143	14x28	Left	Fine	14	28	M14x1,5	24	72	56	22.5	14	14	27	27	178
R3388.L145	14x56	Left	Coarse	14	56	M14	24	101	85	22.5	14	14	27	27	258
R3388.L146	14x56	Left	Fine	14	56	M14x1,5	24	101	85	22.5	14	14	27	27	258
R3388.L163	16x32	Left	Coarse	16	32	M16	26	83	64	24.0	16	16	32	32	282
R3388.L164	16x32	Left	Fine	16	32	M16x1,5	26	83	64	24.0	16	16	32	32	282
R3388.L166	16x64	Left	Coarse	16	64	M16	26	115	96	24.0	16	16	32	32	411
R3388.L167	16x64	Left	Fine	16	64	M16x1,5	26	115	96	24.0	16	16	32	32	411
R3388.L204	20x40	Left	Coarse	20	40	M20	34	105	80	30.0	20	20	40	40	550

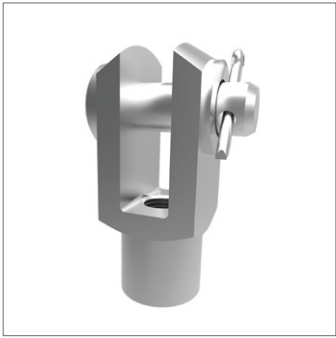


Steel Clevis Joints with Retention

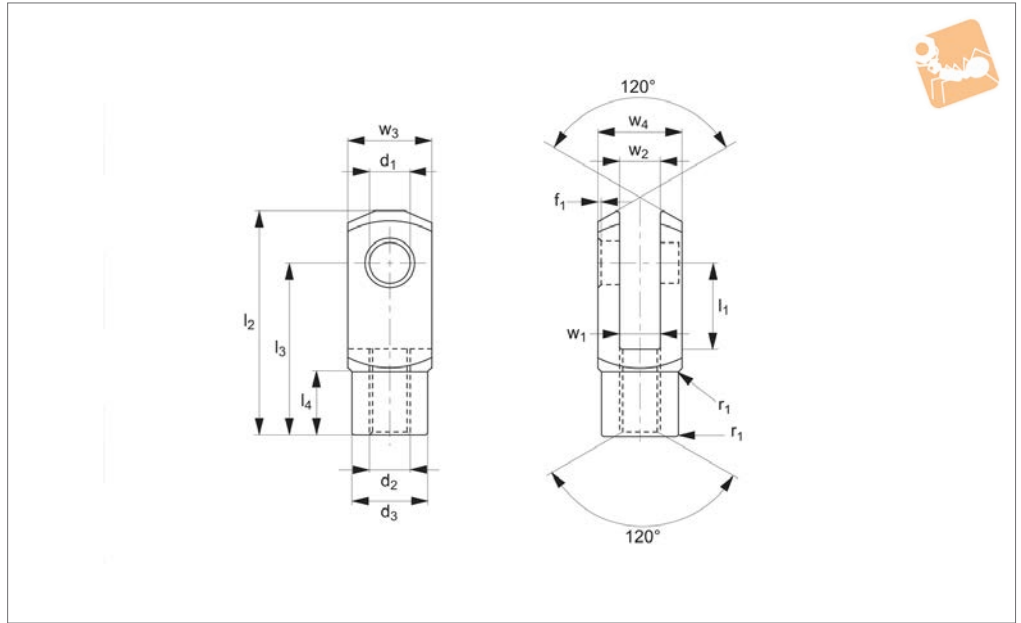
left hand thread - silver zinc plated

Clevis Joints & Clips

Order No.	Size	Thread hand	Thread type	d ₁ tol. H9	l ₁ ±0.5	d ₂	d ₃	l ₂ ±0.5	l ₃	l ₄	w ₁ tol. B13	w ₂	w ₃ tol. h11	w ₄	Weight g
R3388.L205	20x40	Left	Fine	20	40	M20x1,5	34	105	80	30.0	20	20	40	40	550



R3389



CLEVIS JOINTS & CLIPS

Material

Steel 1.0718 (11SMnPb30k), silver zinc plated.

Technical Notes

M5-M16: DIN 71 752/DIN ISO 8140.

M18-M48: Similar to DIN 71 752/DIN ISO 8140 and according to CETOP standard.

Tips

Standard thread is right hand, (for left hand, see R3390).

Assembly is made up using R3385 clevis

joint, R3455 clevis pin, P0330 washer, and P1240 split cotter pin.

Important Notes

For sizes M4-M12, f_1 and $r_1=0,5$, for sizes M14-M16, f_1 and $r_1=1$

For sizes M18-M20, $f_1=1$, $r_1=1,5$, for M24 f_1 and $r_1=1,5$, for sizes M27-M30, $f_1=1,5$, $r_1=2$

For M36 $f_1=2$, $r_1=3$, for sizes M42-M48, $f_1=3$, $r_1=5$, for r_1 , radius or 45° bevelling.

Other Tolerances:-

w_4 : M4-M16 = +0,3 -0,16

M18-M48 = +0,5 -0,2

w_2 : size 4x8-10x20 = B13

All others +0,7 +0,15

d_3 : M4-M16 = ±0,3

l_2 : size 4x8-6x12 = ±0,3

All others ±0,4

l_3 : M4-M16 = ±0,2

M18-M48 = ±0,3

r_1 : M18-M48 = ±0,5

Order No.	Size	Thread hand	Thread type	d_1 tol. H9	l_1 ±0.5	d_2	d_3	l_2 ±0.5	l_3	l_4	w_1 tol. B13	w_2	w_3 tol. h11	w_4	Weight g
R3389.R051	5x10	Right	Coarse	5	10	M5	9	26	20	7.5	5	5	10	10	9
R3389.R052	5x20	Right	Coarse	5	20	M5	9	36	30	7.5	5	5	10	10	13
R3389.R061	6x12	Right	Coarse	6	12	M6	10	31	24	9.0	6	6	12	12	15
R3389.R062	6x24	Right	Coarse	6	24	M6	10	43	36	9.0	6	6	12	12	21
R3389.R081	8x16	Right	Coarse	8	16	M8	14	42	32	12.0	8	8	16	16	37
R3389.R082	8x16	Right	Fine	8	16	M8x1	14	42	32	12.0	8	8	16	16	37
R3389.R083	8x32	Right	Coarse	8	32	M8	14	58	48	12.0	8	8	16	16	54
R3389.R084	8x32	Right	Fine	8	32	M8x1	14	58	48	12.0	8	8	16	16	54
R3389.R102	10x20	Right	Coarse	10	20	M10	18	52	40	15.0	10	10	20	20	74
R3389.R103	10x20	Right	Fine	10	20	M10x1,25	18	52	40	15.0	10	10	20	20	74
R3389.R104	10x40	Right	Coarse	10	40	M10	18	72	60	15.0	10	10	20	20	116
R3389.R105	10x40	Right	Fine	10	40	M10x1,25	18	72	60	15.0	10	10	20	20	116
R3389.R122	12x24	Right	Coarse	12	24	M12	20	62	48	18.0	12	12	24	24	121
R3389.R123	12x24	Right	Fine	12	24	M12x1,25	20	62	48	18.0	12	12	24	24	121
R3389.R124	12x48	Right	Coarse	12	48	M12	20	86	72	18.0	12	12	24	24	175
R3389.R125	12x48	Right	Fine	12	48	M12x1,25	20	86	72	18.0	12	12	24	24	175
R3389.R142	14x28	Right	Coarse	14	28	M14	24	72	56	22.5	14	14	27	27	178
R3389.R143	14x28	Right	Fine	14	28	M14x1,5	24	72	56	22.5	14	14	27	27	178
R3389.R145	14x56	Right	Coarse	14	56	M14	24	101	85	22.5	14	14	27	27	258
R3389.R146	14x56	Right	Fine	14	56	M14x1,5	24	101	85	22.5	14	14	27	27	258
R3389.R163	16x32	Right	Coarse	16	32	M16	26	83	64	24.0	16	16	32	32	282
R3389.R164	16x32	Right	Fine	16	32	M16x1,5	26	83	64	24.0	16	16	32	32	282
R3389.R166	16x64	Right	Coarse	16	64	M16	26	115	96	24.0	16	16	32	32	411
R3389.R167	16x64	Right	Fine	16	64	M16x1,5	26	115	96	24.0	16	16	32	32	411
R3389.R183	18x36	Right	Coarse	18	36	M18	30	94	72	27.0	18	18	36	36	390



Steel Clevis Joint with Pin

silver zinc plated

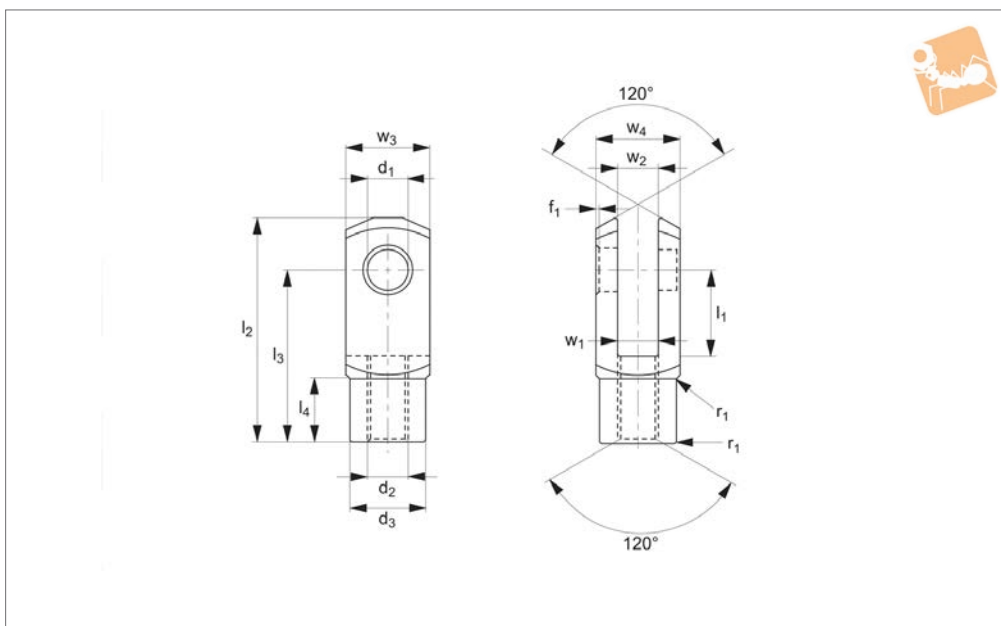
Clevis Joints & Clips

Order No.	Size	Thread hand	Thread type	d ₁ tol. H9	l ₁ ±0.5	d ₂	d ₃	l ₂ ±0.5	l ₃	l ₄	w ₁ tol. B13	w ₂	w ₃ tol. h11	w ₄	Weight g
R3389.R184	18x36	Right	Fine	18	36	M18x1,5	30	94	72	27.0	18	18	36	36	390
R3389.R204	20x40	Right	Coarse	20	40	M20	34	105	80	30.0	20	20	40	40	550
R3389.R205	20x40	Right	Fine	20	40	M20x1,5	34	105	80	30.0	20	20	40	40	550
R3389.R208	20x80	Right	Coarse	20	80	M20	34	145	120	30.0	20	20	40	40	800
R3389.R209	20x80	Right	Fine	20	80	M20x1,5	34	145	120	30.0	20	20	40	40	800
R3389.R255	25x50	Right	Coarse	25	50	M24	42	132	100	36.0	25	25	50	50	1100
R3389.R256	25x50	Right	Fine	25	50	M24x2	42	132	100	36.0	25	25	50	50	1100
R3389.R285	28x56	Right	Coarse	28	56	M27	48	148	112	40.0	28	28	55	55	1500
R3389.R286	28x56	Right	Fine	28	56	M27x2	48	148	112	40.0	28	28	55	55	1500
R3389.R305	30x54	Right	Fine	30	54	M27x2	48	148	110	40.0	30	30	55	55	1440
R3389.R306	30x60	Right	Coarse	30	60	M30	52	160	120	42.0	30	30	60	60	1970
R3389.R307	30x60	Right	Fine	30	60	M30x2	52	160	120	42.0	30	30	60	60	1970
R3389.R355	35x54	Right	Fine	35	54	M36x2	60	188	144	54.0	35	35	70	70	2930
R3389.R357	35x72	Right	Coarse	35	72	M36	60	188	144	54.0	35	35	70	70	2930
R3389.R358	35x72	Right	Fine	35	72	M36x2	60	188	144	54.0	35	35	70	70	2930
R3389.R367	36x72	Right	Coarse	35	72	M36	60	188	144	54.0	36	36	70	70	2930
R3389.R368	36x72	Right	Fine	35	72	M36x2	60	188	144	54.0	36	36	70	70	2930
R3389.R408	40x84	Right	Fine	40	84	M42x2	70	232	168	63.5	40	40	85	85	5640
R3389.R428	42x84	Right	Coarse	42	84	M42	70	232	168	63.5	42	42	85	85	5340
R3389.R429	42x84	Right	Fine	42	84	M42x2	70	232	168	63.5	42	42	85	85	5340
R3389.R509	50x96	Right	Coarse	50	96	M48	82	265	192	73.0	50	50	96	96	7860
R3389.R510	50x96	Right	Fine	50	96	M48x2	82	265	192	73.0	50	50	96	96	7860

CLEVIS JOINTS & CLIPS



R3390



Material

Steel 1.0718 (11SMnPb30k), silver zinc plated.

Technical Notes

M5-M16: DIN 71 752/DIN ISO 8140.

M18-M48: Similar to DIN 71 752/DIN ISO 8140 and according to CETOP standard.

Tips

Assembly is made up using the R3386 clevis joint, R3455 clevis pin, P0330

washer, and P1240 split cotter pin.

Important Notes

For sizes M4-M12, f_1 and $r_1=0,5$, for sizes M14-M16, f_1 and $r_1=1$

For sizes M18-M20, $f_1=1$, $r_1=1,5$, for M24 f_1 and $r_1=1,5$, for sizes M27-M30, $f_1=1,5$, $r_1=2$

For M36 $f_1=2$, $r_1=3$, for sizes M42-M48, $f_1=3$, $r_1=5$, for r_1 , radius or 45° bevelling.

Other Tolerances:-

w_4 : M4-M16 = +0,3 -0,16

M18-M48 = +0,5 -0,2

w_2 : size 4x8-10x20 = B13

All others +0,7 +0,15

d_3 : M4-M16 = ±0,3

l_2 : size 4x8-6x12 = ±0,3

All others ±0,4

l_3 : M4-M16 = ±0,2

M18-M48 = ±0,3

r_1 : M18-M48 = ±0,5

Order No.	Size	Thread hand	Thread type	d_1 tol. H9	l_1 ±0.5	d_2	d_3	l_2 ±0.5	l_3	l_4	w_1 tol. B13	w_2	w_3 tol. h11	w_4	Weight g
R3390.L051	5x10	Left	Coarse	5	10	M5	9	26	20	7.5	5	5	10	10	9
R3390.L052	5x20	Left	Coarse	5	20	M5	9	36	30	7.5	5	5	10	10	13
R3390.L061	6x12	Left	Coarse	6	12	M6	10	31	24	9.0	6	6	12	12	15
R3390.L062	6x24	Left	Coarse	6	24	M6	10	43	36	9.0	6	6	12	12	21
R3390.L081	8x16	Left	Coarse	8	16	M8	14	42	32	12.0	8	8	16	16	37
R3390.L082	8x16	Left	Fine	8	16	M8x1	14	42	32	12.0	8	8	16	16	37
R3390.L083	8x32	Left	Coarse	8	32	M8	14	58	48	12.0	8	8	16	16	54
R3390.L084	8x32	Left	Fine	8	32	M8x1	14	58	48	12.0	8	8	16	16	54
R3390.L102	10x20	Left	Coarse	10	20	M10	18	52	40	15.0	10	10	20	20	74
R3390.L103	10x20	Left	Fine	10	20	M10x1,25	18	52	40	15.0	10	10	20	20	74
R3390.L104	10x40	Left	Coarse	10	40	M10	18	72	60	15.0	10	10	20	20	116
R3390.L105	10x40	Left	Fine	10	40	M10x1,25	18	72	60	15.0	10	10	20	20	116
R3390.L122	12x24	Left	Coarse	12	24	M12	20	62	48	18.0	12	12	24	24	121
R3390.L123	12x24	Left	Fine	12	24	M12x1,25	20	62	48	18.0	12	12	24	24	121
R3390.L124	12x48	Left	Coarse	12	48	M12	20	86	72	18.0	12	12	24	24	175
R3390.L125	12x48	Left	Fine	12	48	M12x1,25	20	86	72	18.0	12	12	24	24	175
R3390.L142	14x28	Left	Coarse	14	28	M14	24	72	56	22.5	14	14	27	27	178
R3390.L143	14x28	Left	Fine	14	28	M14x1,5	24	72	56	22.5	14	14	27	27	178
R3390.L145	14x56	Left	Coarse	14	56	M14	24	101	85	22.5	14	14	27	27	258
R3390.L146	14x56	Left	Fine	14	56	M14x1,5	24	101	85	22.5	14	4	27	27	258
R3390.L163	16x32	Left	Coarse	16	32	M16	26	83	64	24.0	16	16	32	32	282
R3390.L164	16x32	Left	Fine	16	32	M16x1,5	26	83	64	24.0	16	16	32	32	282
R3390.L166	16x64	Left	Coarse	16	64	M16	26	115	96	24.0	16	16	32	32	411
R3390.L167	16x64	Left	Fine	16	64	M16x1,5	26	115	96	24.0	16	16	32	32	411
R3390.L183	18x36	Left	Coarse	18	36	M18	30	94	72	27.0	18	18	36	36	390
R3390.L184	18x36	Left	Fine	18	36	M18x1,5	30	94	72	27.0	18	18	36	36	390



Steel Clevis Joints with Pin

left hand thread - silver zinc plated

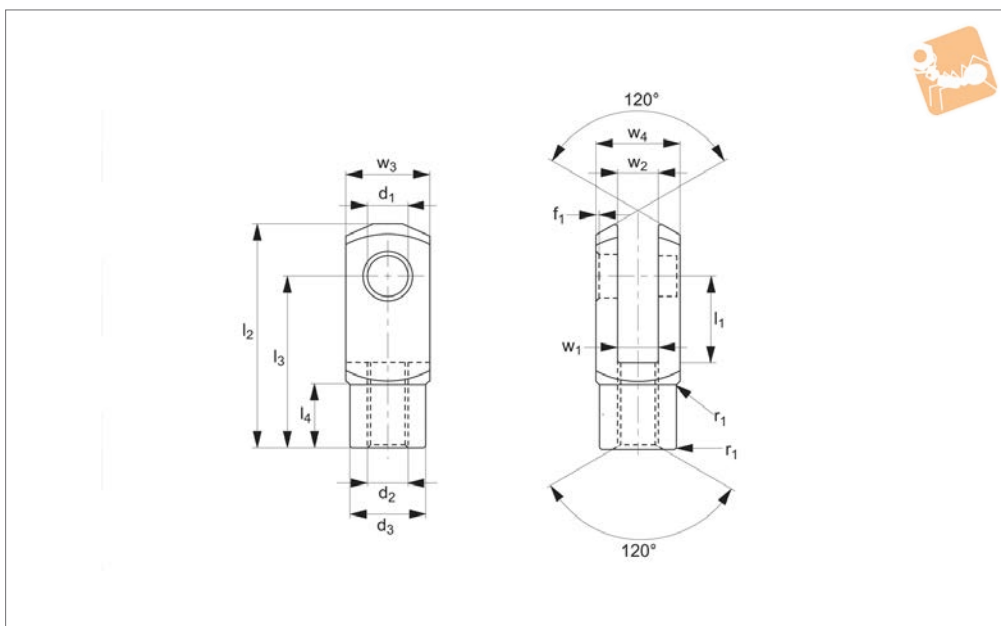
Clevis Joints & Clips

Order No.	Size	Thread hand	Thread type	d ₁ tol. H9	l ₁ ±0.5	d ₂	d ₃	l ₂ ±0.5	l ₃	l ₄	w ₁ tol. B13	w ₂	w ₃ tol. h11	w ₄	Weight g
R3390.L204	20x40	Left	Coarse	20	40	M20	34	105	80	30.0	20	20	40	40	550
R3390.L205	20x40	Left	Fine	20	40	M20x1,5	34	105	80	30.0	20	20	40	40	550
R3390.L208	20x80	Left	Coarse	20	80	M20	34	145	120	30.0	20	20	40	40	800
R3390.L209	20x80	Left	Fine	20	80	M20x1,5	34	145	120	30.0	20	20	40	40	800
R3390.L255	25x50	Left	Coarse	25	50	M24	42	132	100	36.0	25	25	50	50	1100
R3390.L256	25x50	Left	Fine	25	50	M24x2	42	132	100	36.0	25	25	50	50	1100
R3390.L285	28x56	Left	Coarse	28	56	M27	48	148	112	40.0	28	28	55	55	1500
R3390.L286	28x56	Left	Fine	28	56	M27x2	48	148	112	40.0	28	28	55	55	1500
R3390.L305	30x54	Left	Fine	30	54	M27x2	48	148	110	40.0	30	30	55	55	1440
R3390.L306	30x60	Left	Coarse	30	60	M30	52	160	120	42.0	30	30	60	60	1970
R3390.L307	30x60	Left	Fine	30	60	M30x2	52	160	120	42.0	30	30	60	60	1970
R3390.L355	35x54	Left	Fine	35	54	M36x2	60	188	144	54.0	35	35	70	70	2930
R3390.L357	35x72	Left	Coarse	35	72	M36	60	188	144	54.0	35	35	70	70	2930
R3390.L358	35x72	Left	Fine	35	72	M36x2	60	188	144	54.0	35	35	70	70	2930
R3390.L367	36x72	Left	Course	35	72	M36	60	188	144	54.0	36	36	70	70	2930
R3390.L368	36x72	Left	Fine	35	72	M36x2	60	188	144	54.0	36	36	70	70	2930
R3390.L408	40x84	Left	Fine	40	84	M42x2	70	232	168	63.5	40	40	85	85	5640
R3390.L428	42x84	Left	Coarse	42	84	M42	70	232	168	63.5	42	42	85	85	5340
R3390.L429	42x84	Left	Fine	42	84	M42x2	70	232	168	63.5	42	42	85	85	5340
R3390.L509	50x96	Left	Coarse	50	96	M48	82	265	192	73.0	50	50	96	96	7860
R3390.L510	50x96	Left	Fine	50	96	M48x2	82	265	192	73.0	50	50	96	96	7860

CLEVIS JOINTS & CLIPS



R3402



Material

Stainless steel (1.4305 AISI 303 X8CrNiS18-9).

Technical Notes

M4-M16: DIN 71 752/DIN ISO 8140.

M20-M27: Similar to DIN 71 752 and according to CETOP standard.

Tips

Standard thread is right hand, (for left

hand, see R3403).

Important Notes

For sizes M4-M12, f_1 and $r_1 = 0,5$, for sizes M14-M16, f_1 and $r_1 = 1$, for size M20, $f_1=1$, $r_1 = 1,5$

For M24, f_1 and $r_1 = 1,5$, for M27, $f_1 = 1,5$, $r_1 = 2$, for r_1 , radius or 45° bevelling.

Other Tolerances:-

w_4 : M4-M16 = $+0,3 -0,16$

M20-M27 = $+0,5 - 0,2$

w_2 : Size 4x8-10x20 = B13

Size 10x40-30x54 = $+0,7 +0,15$

l_3 : up to size 6x12 = $\pm 0,3$

From size 6x24 = $\pm 0,4$

Order No.	Size	Thread hand	Thread type	d_1 tol. h9	l_1 $\pm 0,5$	d_2	d_3	l_2 $\pm 0,5$	l_3	l_4	w_1 $\pm 0,5$	w_2	w_3 tol. h11	w_4	Weight g
R3402.R040	4x8	Right	Coarse	4	8	M 4	8	21	16	6.0	4	4	8	8	5
R3402.R041	4x16	Right	Coarse	4	16	M 4	8	29	24	6.0	4	4	8	8	7
R3402.R051	5x10	Right	Coarse	5	10	M 5	9	26	20	7.5	5	5	10	10	9
R3402.R052	5x20	Right	Coarse	5	20	M 5	9	36	30	7.5	5	5	10	10	13
R3402.R061	6x12	Right	Coarse	6	12	M 6	10	31	24	9.0	6	6	12	12	15
R3402.R062	6x24	Right	Coarse	6	24	M 6	10	43	36	9.0	6	6	12	12	21
R3402.R081	8x16	Right	Coarse	8	16	M 8	14	42	32	12.0	8	8	16	16	37
R3402.R082	8x16	Right	Fine	8	16	M 8x1	14	42	32	12.0	8	8	16	16	37
R3402.R083	8x32	Right	Coarse	8	32	M 8	14	58	48	12.0	8	8	16	16	54
R3402.R084	8x32	Right	Fine	8	32	M 8x1	14	58	48	12.0	8	8	16	16	54
R3402.R102	10x20	Right	Coarse	10	20	M10	18	52	40	15.0	10	10	20	20	74
R3402.R103	10x20	Right	Fine	10	20	M10x1,25	18	52	40	15.0	10	10	20	20	74
R3402.R104	10x40	Right	Coarse	10	40	M10	18	72	60	15.0	10	10	20	20	116
R3402.R105	10x40	Right	Fine	10	40	M10x1,25	18	72	60	15.0	10	10	20	20	116
R3402.R122	12x24	Right	Coarse	12	24	M12	20	62	48	18.0	12	12	24	24	121
R3402.R123	12x24	Right	Fine	12	24	M12x1,25	20	62	48	18.0	12	12	24	24	121
R3402.R124	12x48	Right	Coarse	12	48	M12	20	86	72	18.0	12	12	24	24	175
R3402.R125	12x48	Right	Fine	12	48	M12x1,25	20	86	72	18.0	12	12	24	24	175
R3402.R142	14x28	Right	Coarse	14	28	M14	24	72	56	22.5	14	14	27	27	178
R3402.R143	14x28	Right	Fine	14	28	M14x1,5	24	72	56	22.5	14	14	27	27	178
R3402.R145	14x56	Right	Coarse	14	56	M14	24	101	85	22.5	14	14	27	27	258
R3402.R146	14x56	Right	Fine	14	56	M14x1,5	24	101	85	22.5	14	14	27	27	258
R3402.R163	16x32	Right	Coarse	16	32	M16	26	83	64	24.0	16	16	32	32	282
R3402.R164	16x32	Right	Fine	16	32	M16x1,5	26	83	64	24.0	16	16	32	32	282
R3402.R166	16x64	Right	Coarse	16	64	M16	26	115	96	24.0	16	16	32	32	411
R3402.R167	16x64	Right	Fine	16	64	M16x1,5	26	115	96	24.0	16	16	32	32	411
R3402.R204	20x40	Right	Coarse	20	40	M20	34	105	80	30.0	20	20	40	40	550



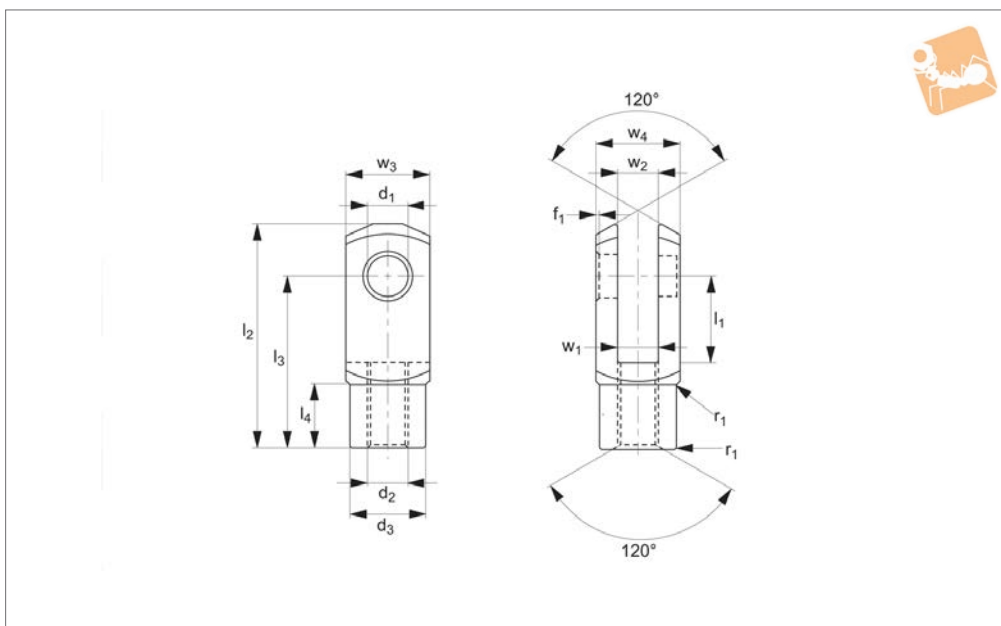
Stainless Clevis Joint

Clevis Joints & Clips

Order No.	Size	Thread hand	Thread type	d_1 tol. h9	l_1 ± 0.5	d_2	d_3	l_2 ± 0.5	l_3	l_4	w_1 ± 0.5	w_2	w_3 tol. h11	w_4	Weight g
R3402.R205	20x40	Right	Fine	20	40	M20x1,5	34	105	80	30.0	20	20	40	40	550
R3402.R255	25x50	Right	Coarse	25	50	M24	42	132	100	36.0	25	25	50	50	1100
R3402.R256	25x50	Right	Fine	25	50	M24x2	42	132	100	36.0	25	25	50	50	1100
R3402.R305	30x54	Right	Fine	30	54	M27x2	48	148	110	40.0	30	30	55	55	1440



R3402.A4



Material

Stainless steel (1,4404, AISI 316).

Technical Notes

M4-M16: DIN 71 752/DIN ISO 8140.

M20: Similar to DIN 71 752 and according to CETOP standard.

Tips

Standard thread is right hand, (for left

hand, see R3403).

Important Notes

For sizes M4-M12, f and $r = 0,5$, for sizes M14-M16, f and $r = 1$, for size M20, $f=1$, $r = 1,5$

Other Tolerances:-

w_4 : M4-M16 = $+0,3 -0,16$

M20 = $+0,5 - 0,2$

w_2 : Size 4x8-10x20 = B13

Size 10x40-30x54 = $+0,7 +0,15$

l_3 : up to size 6x12 = $\pm 0,3$

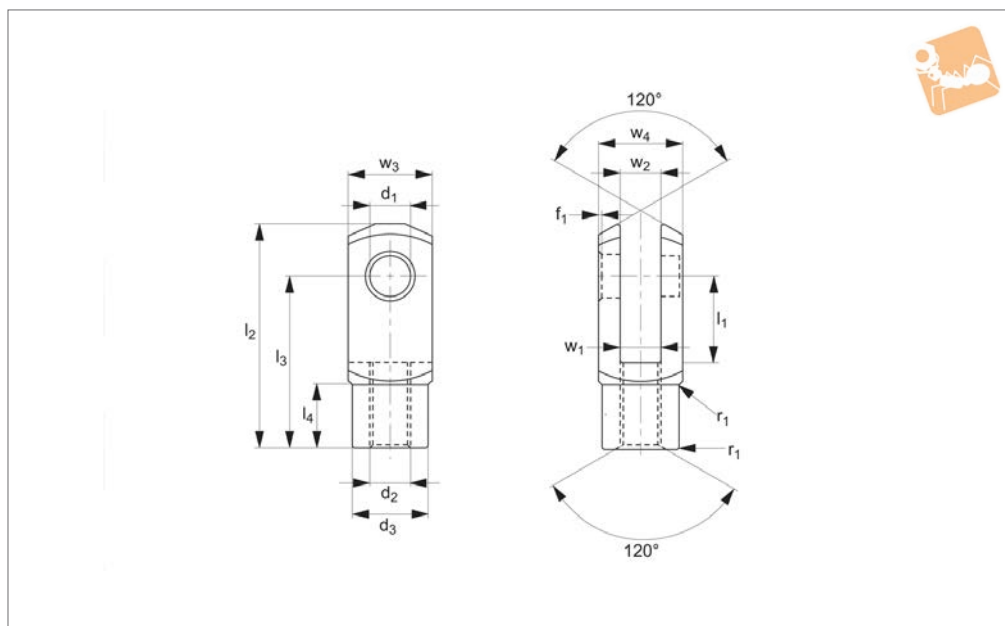
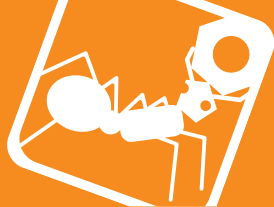
From size 6x24 = $\pm 0,4$

Order No.	Size	Thread hand	Thread type	d_1 tol. h9	l_1 ± 0.5	d_2	d_3	l_2 ± 0.5	l_3	l_4	w_1 ± 0.5	w_2	w_3 tol. h11	w_4	Weight g
R3402.R040-A4	4x8	Right	Coarse	4	8	M4	8	21	16	6.0	4	4	8	8	5
R3402.R051-A4	5x10	Right	Coarse	5	10	M5	9	26	20	7.5	5	5	10	10	9
R3402.R061-A4	6x12	Right	Coarse	6	12	M6	10	31	24	9.0	6	6	12	12	15
R3402.R081-A4	8x16	Right	Coarse	8	16	M8	14	42	32	12.0	8	8	16	16	37
R3402.R083-A4	8x32	Right	Coarse	8	32	M8	14	58	48	12.0	8	8	16	16	54
R3402.R102-A4	10x20	Right	Coarse	10	20	M10	18	52	40	15.0	10	10	20	20	74
R3402.R104-A4	10x40	Right	Coarse	10	40	M10	18	72	60	15.0	10	10	20	20	116
R3402.R122-A4	12x24	Right	Coarse	12	24	M12	20	62	48	18.0	12	12	24	24	121
R3402.R142-A4	14x28	Right	Coarse	14	28	M14	24	72	56	22.5	14	14	27	27	178
R3402.R163-A4	16x32	Right	Coarse	16	32	M16	26	83	64	24.0	16	16	32	32	282
R3402.R204-A4	20x40	Right	Coarse	20	40	M20	34	105	80	30.0	20	20	40	40	550

Stainless Clevis Joints

left hand thread

Clevis Joints & Clips



R3403

CLEVIS JOINTS & CLIPS

Material

Stainless steel (1.4305 AISI 303 X8CrNiS18-9)

Technical Notes

M4-M16: DIN 71 752/DIN ISO 8140.
M20-M27: Similar to DIN 71 752 and according to CETOP standard.

Important Notes

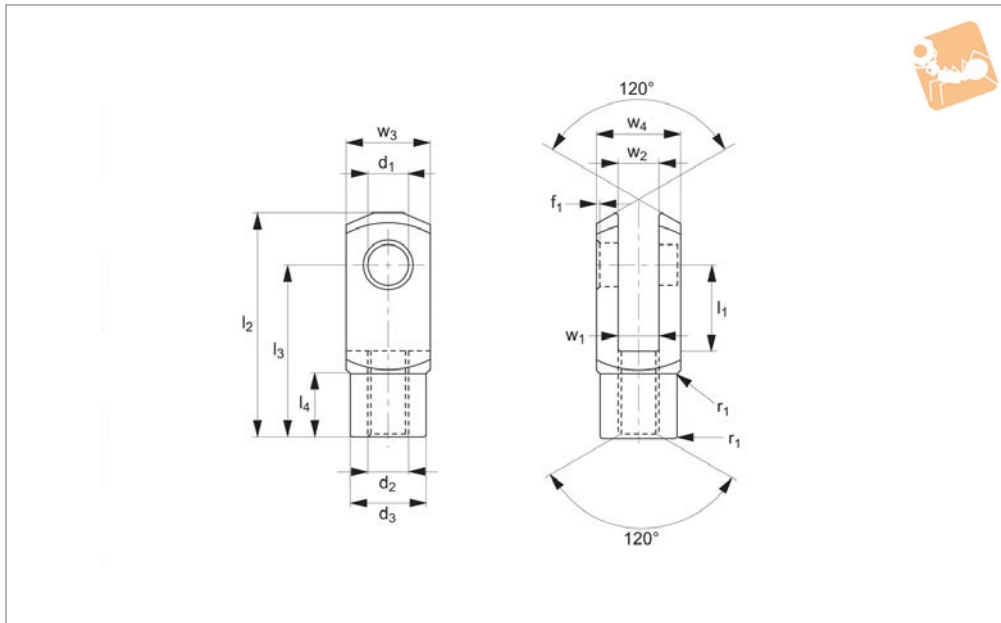
For sizes M4-M12, f_1 and $r_1 = 0,5$, for sizes M14-M16, f_1 and $r_1 = 1$, for size M20, $f_1=1$, $r_1 = 1,5$
For M24, f_1 and $r_1 = 1,5$, for M27, $f_1=1,5$, $r_1 = 2$, for r_1 , radius or 45° bevelling.
Other Tolerances:-

w_4 : M4-M16 = +0,3 -0,16
M20-M27 = +0,5 - 0,2
 w_2 : Size 4x8-10x20 = B13
Size 10x40-30x54 = +0,7 +0,15
 l_3 : up to size 6x12 = ±0,3
From size 6x24 = ±0,4

Order No.	Size	Thread hand	Thread type	d_1 tol. H9	l_1 ±0.5	d_2	d_3	l_2 ±0.5	l_3	l_4	w_1 tol. B13	w_2	w_3 tol. h11	w_4	Weight g
R3403.L040	4x8	Left	Coarse	4	8	M4	8	21	16	6.0	4	4	8	8	5
R3403.L041	4x16	Left	Coarse	4	16	M4	8	29	24	6.0	4	4	8	8	7
R3403.L051	5x10	Left	Coarse	5	10	M5	9	26	20	7.5	5	5	10	10	9
R3403.L052	5x20	Left	Coarse	5	20	M5	9	36	30	7.5	5	5	10	10	13
R3403.L061	6x12	Left	Coarse	6	12	M6	10	31	24	9.0	6	6	12	12	15
R3403.L062	6x24	Left	Coarse	6	24	M6	10	43	36	9.0	6	6	12	12	21
R3403.L081	8x16	Left	Coarse	8	16	M8	14	42	32	12.0	8	8	16	16	37
R3403.L082	8x16	Left	Fine	8	16	M8x1	14	42	32	12.0	8	8	16	16	37
R3403.L083	8x32	Left	Coarse	8	32	M8	14	58	48	12.0	8	8	16	16	54
R3403.L084	8x32	Left	Fine	8	32	M8x1	14	58	48	12.0	8	8	16	16	54
R3403.L102	10x20	Left	Coarse	10	20	M10	18	52	40	15.0	10	10	20	20	74
R3403.L103	10x20	Left	Fine	10	20	M10x1,25	18	52	40	15.0	10	10	20	20	74
R3403.L104	10x40	Left	Coarse	10	40	M10	18	72	60	15.0	10	10	20	20	116
R3403.L105	10x40	Left	Fine	10	40	M10x1,25	18	72	60	15.0	10	10	20	20	116
R3403.L122	12x24	Left	Coarse	12	24	M12	20	62	48	18.0	12	12	24	24	121
R3403.L123	12x24	Left	Fine	12	24	M12x1,25	20	62	48	18.0	12	12	24	24	121
R3403.L124	12x48	Left	Coarse	12	48	M12	20	86	72	18.0	12	12	24	24	175
R3403.L125	12x48	Left	Fine	12	48	M12x1,25	20	86	72	18.0	12	12	24	24	175
R3403.L142	14x28	Left	Coarse	14	28	M14	24	72	56	22.5	14	14	27	27	178
R3403.L143	14x28	Left	Fine	14	28	M14x1,5	24	72	56	22.5	14	14	27	27	178
R3403.L145	14x56	Left	Coarse	14	56	M14	24	101	85	22.5	14	14	27	27	258
R3403.L146	14x56	Left	Fine	14	56	M14x1,5	24	101	85	22.5	14	4	27	27	258
R3403.L163	16x32	Left	Coarse	16	32	M16	26	83	64	24.0	16	16	32	32	282
R3403.L164	16x32	Left	Fine	16	32	M16x1,5	26	83	64	24.0	16	16	32	32	282
R3403.L166	16x64	Left	Coarse	16	64	M16	26	115	96	24.0	16	16	32	32	411
R3403.L167	16x64	Left	Fine	16	64	M16x1,5	26	115	96	24.0	16	16	32	32	411
R3403.L204	20x40	Left	Coarse	20	40	M20	34	105	80	30.0	20	20	40	40	550
R3403.L205	20x40	Left	Fine	20	40	M20x1,5	34	105	80	30.0	20	20	40	40	550
R3403.L255	25x50	Left	Coarse	25	50	M24	42	132	100	36.0	25	25	50	50	1100
R3403.L256	25x50	Left	Fine	25	50	M24x2	42	132	100	36.0	25	25	50	50	1100



Order No.	Size	Thread hand	Thread type	d ₁ tol. H9	l ₁ ±0.5	d ₂	d ₃	l ₂ ±0.5	l ₃	l ₄	w ₁ tol. B13	w ₂	w ₃ tol. h11	w ₄	Weight g
R3403.L305	30x54	Left	Fine	30	54	M27x2	48	148	110	40.0	30	30	55	55	1440



R3404

CLEVIS JOINTS & CLIPS

Material

Stainless steel (1.4305 AISI 303 X8CrNiS18-9)

Technical Notes

M5-M16: DIN 71 752/DIN ISO 8140.

M20-M24: Similar to DIN 71 752 and according to CETOP standard.

Tips

Standard thread is right hand (for left

hand, see R3405).

Assembly is made up using R3402 clevis joint, R3456 pin, DIN 125A washer, and P1241 split cotter pin.

Important Notes

For sizes M5-M12, f_1 and $r_1 = 0,5$, for sizes M14-M16, f_1 and $r_1 = 1$

For size M20, $f_1=1$, $r_1 = 1,5$, for M24, f_1 and $r_1 = 1,5$, for r_1 , radius or 45° bevelling.

Other Tolerances:-

w_4 : M4-M16 = +0,3 -0,16

M20-M24 = +0,5 - 0,2

w_2 : Size 4x8-10x20 = B13

Size 10x40-25x50 = +0,7 +0,15

l_3 : up to size 6x12 = ±0,3

From size 6x24 = ±0,4

Order No.	Size	Thread hand	Thread type	d_1 tol. H9	l_1 ±0.5	d_2	d_3	l_2 ±0.5	l_3	l_4	w_1 ±0.5	w_2	w_3 tol. h11	w_4	Weight g
R3404.R051	5x10	Right	Coarse	5	10	M5	9	26	20	7.5	5	5	10	10	9
R3404.R052	5x20	Right	Coarse	5	20	M5	9	36	30	7.5	5	5	10	10	13
R3404.R061	6x12	Right	Coarse	6	12	M6	10	31	24	9.0	6	6	12	12	15
R3404.R062	6x24	Right	Coarse	6	24	M6	10	43	36	9.0	6	6	12	12	21
R3404.R081	8x16	Right	Coarse	8	16	M8	14	42	32	12.0	8	8	16	16	37
R3404.R082	8x16	Right	Fine	8	16	M8x1	14	42	32	12.0	8	8	16	16	37
R3404.R083	8x32	Right	Coarse	8	32	M8	14	58	48	12.0	8	8	16	16	54
R3404.R084	8x32	Right	Fine	8	32	M8x1	14	58	48	12.0	8	8	16	16	54
R3404.R102	10x20	Right	Coarse	10	20	M10	18	52	40	15.0	10	10	20	20	74
R3404.R103	10x20	Right	Fine	10	20	M10x1,25	18	52	40	15.0	10	10	20	20	74
R3404.R104	10x40	Right	Coarse	10	40	M10	18	72	60	15.0	10	10	20	20	116
R3404.R105	10x40	Right	Fine	10	40	M10x1,25	18	72	60	15.0	10	10	20	20	116
R3404.R122	12x24	Right	Coarse	12	24	M12	20	62	48	18.0	12	12	24	24	121
R3404.R123	12x24	Right	Fine	12	24	M12x1,25	20	62	48	18.0	12	12	24	24	121
R3404.R124	12x48	Right	Coarse	12	48	M12	20	86	72	18.0	12	12	24	24	175
R3404.R125	12x48	Right	Fine	12	48	M12x1,25	20	86	72	18.0	12	12	24	24	175
R3404.R142	14x28	Right	Coarse	14	28	M14	24	72	56	22.5	14	14	27	27	178
R3404.R143	14x28	Right	Fine	14	28	M14x1,5	24	72	56	22.5	14	14	27	27	178
R3404.R145	14x56	Right	Coarse	14	56	M14	24	101	85	22.5	14	14	27	27	258
R3404.R146	14x56	Right	Fine	14	56	M14x1,5	24	101	85	22.5	14	14	27	27	258
R3404.R163	16x32	Right	Coarse	16	32	M16	26	83	64	24.0	16	16	32	32	282
R3404.R164	16x32	Right	Fine	16	32	M16x1,5	26	83	64	24.0	16	16	32	32	282
R3404.R166	16x64	Right	Coarse	16	64	M16	26	115	96	24.0	16	16	32	32	411
R3404.R167	16x64	Right	Fine	16	64	M16x1,5	26	115	96	24.0	16	16	32	32	411
R3404.R204	20x40	Right	Coarse	20	40	M20	34	105	80	30.0	20	20	40	40	550
R3404.R205	20x40	Right	Fine	20	40	M20x1,5	34	105	80	30.0	20	20	40	40	550
R3404.R255	25x50	Right	Coarse	25	50	M24	42	132	100	36.0	25	25	50	50	1100



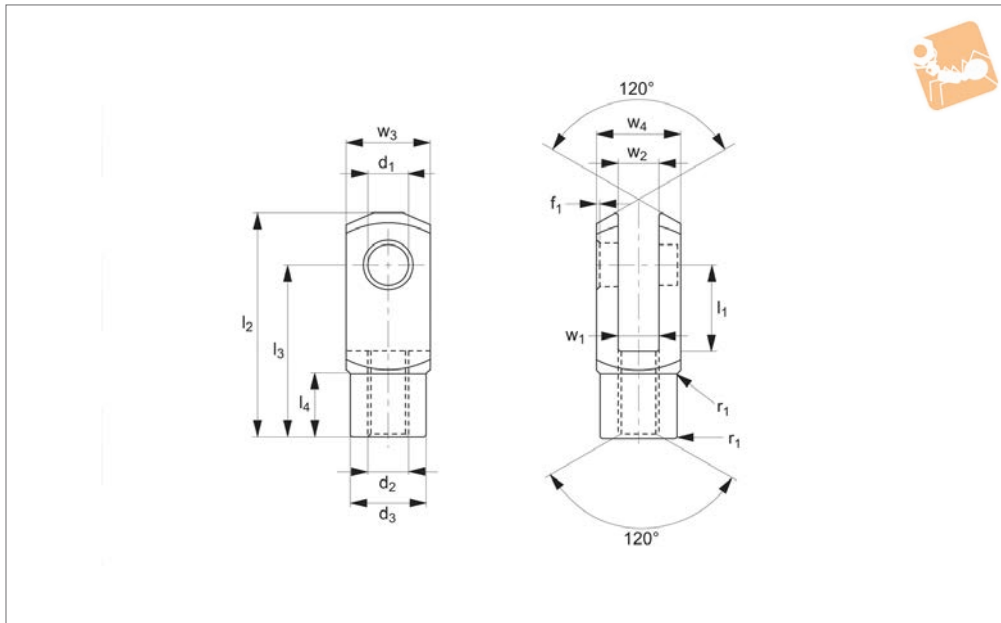
Order No.	Size	Thread hand	Thread type	d_1 tol. H9	l_1 ± 0.5	d_2	d_3	l_2 ± 0.5	l_3	l_4	w_1 ± 0.5	w_2	w_3 tol. h11	w_4	Weight g
R3404.R256	25x50	Right	Fine	25	50	M24x2	42	132	100	36.0	25	25	50	50	1100



Stainless Clevis Joints with Pin

left hand thread

Clevis Joints & Clips



R3405

CLEVIS JOINTS & CLIPS

Material

Stainless steel (1.4305 AISI 303 X8CrNiS18-9)

Technical Notes

M5-M16: DIN 71 752/DIN ISO 8140.
M20-M24: Similar to DIN 71 752 and according to CETOP standard.

Tips

Assembly is made up using R3403 clevis

joint, R3456 pin, P0330 washer, and P1241 split cotter pin.

Important Notes

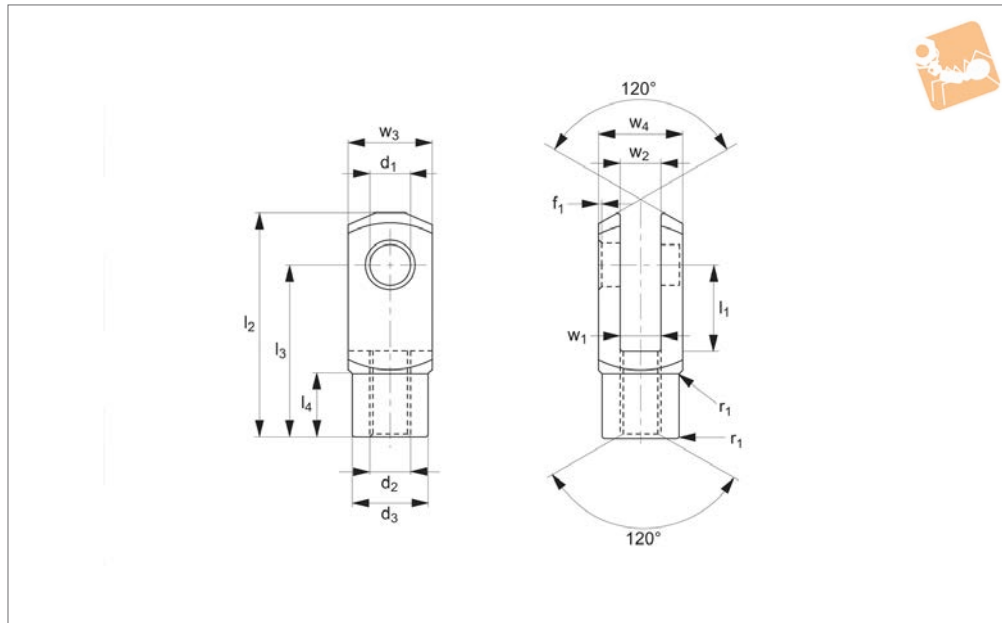
For sizes M5-M12, f_1 and $r_1 = 0,5$, for sizes M14-M16, f_1 and $r_1 = 1$
For size M20, $f_1 = 1$, $r_1 = 1,5$, for M24, f_1 and $r_1 = 1,5$, for r_1 , radius or 45° bevelling.
Other Tolerances:-
 w_4 : M4-M16 = +0,3 -0,16

M20-M27 = +0,5 - 0,2
 w_2 : Size 4x8-10x20 = B13
Size 10x40-30x54 = +0,7 +0,15
 l_3 : up to size 6x12 = ±0,3
From size 6x24 = ±0,4

Order No.	Size	Thread hand	Thread type	d ₁ tol. H9	l ₁ ±0,5	d ₂	d ₃	l ₂ ±0,5	l ₃	l ₄	w ₁ tol. B13	w ₂	w ₃ tol. h11	w ₄	Weight g
R3405.L051	5x10	Left	Coarse	5	10	M5	9	26	20	7.5	5	5	10	10	9
R3405.L052	5x20	Left	Coarse	5	20	M5	9	36	30	7.5	5	5	10	10	13
R3405.L061	6x12	Left	Coarse	6	12	M6	10	31	24	9.0	6	6	12	12	15
R3405.L062	6x24	Left	Coarse	6	24	M6	10	43	36	9.0	6	6	12	12	21
R3405.L081	8x16	Left	Coarse	8	16	M8	14	42	32	12.0	8	8	16	16	37
R3405.L082	8x16	Left	Fine	8	16	M8x1	14	42	32	12.0	8	8	16	16	37
R3405.L083	8x32	Left	Coarse	8	32	M8	14	58	48	12.0	8	8	16	16	54
R3405.L084	8x32	Left	Fine	8	32	M8x1	14	58	48	12.0	8	8	16	16	54
R3405.L102	10x20	Left	Coarse	10	20	M10	18	52	40	15.0	10	10	20	20	74
R3405.L103	10x20	Left	Fine	10	20	M10x1,25	18	52	40	15.0	10	10	20	20	74
R3405.L104	10x40	Left	Coarse	10	40	M10	18	72	60	15.0	10	10	20	20	116
R3405.L105	10x40	Left	Fine	10	40	M10x1,25	18	72	60	15.0	10	10	20	20	116
R3405.L122	12x24	Left	Coarse	12	24	M12	20	62	48	18.0	12	12	24	24	121
R3405.L123	12x24	Left	Fine	12	24	M12x1,25	20	62	48	18.0	12	12	24	24	121
R3405.L124	12x48	Left	Coarse	12	48	M12	20	86	72	18.0	12	12	24	24	175
R3405.L125	12x48	Left	Fine	12	48	M12x1,25	20	86	72	18.0	12	12	24	24	175
R3405.L142	14x28	Left	Coarse	14	28	M14	24	72	56	22.5	14	14	27	27	178
R3405.L143	14x28	Left	Fine	14	28	M14x1,5	24	72	56	22.5	14	14	27	27	178
R3405.L145	14x56	Left	Coarse	14	56	M14	24	101	85	22.5	14	14	27	27	258
R3405.L146	14x56	Left	Fine	14	56	M14x1,5	24	101	85	22.5	14	14	27	27	258
R3405.L163	16x32	Left	Coarse	16	32	M16	26	83	64	24.0	16	16	32	32	282
R3405.L164	16x32	Left	Fine	16	32	M16x1,5	26	83	64	24.0	16	16	32	32	282
R3405.L166	16x64	Left	Coarse	16	64	M16	26	115	96	24.0	16	16	32	32	411
R3405.L167	16x64	Left	Fine	16	64	M16x1,5	26	115	96	24.0	16	16	32	32	411
R3405.L204	20x40	Left	Coarse	20	40	M20	34	105	80	30.0	20	20	40	40	550
R3405.L205	20x40	Left	Fine	20	40	M20x1,5	34	105	80	30.0	20	20	40	40	550
R3405.L255	25x50	Left	Coarse	25	50	M24	42	132	100	36.0	25	25	50	50	1100



Order No.	Size	Thread hand	Thread type	d ₁ tol. H9	l ₁ ±0.5	d ₂	d ₃	l ₂ ±0.5	l ₃	l ₄	w ₁ tol. B13	w ₂	w ₃ tol. h11	w ₄	Weight g
R3405.L256	25x50	Left	Fine	25	50	M24x2	42	132	100	36.0	25	25	50	50	1100



R3406

CLEVIS JOINTS & CLIPS

Material

Stainless steel (1.4305 AISI 303 X8CrNiS18-9)

Technical Notes

M5-M16: DIN 71 752/DIN ISO 8140.
M20: Similar to DIN 71 752 and according to CETOP standard.

Tips

Standard thread is right hand, (for left

hand, see R3407).

Assembly is made up using R3402 clevis joint, R3454 pin, and 2 off R3447 circlips.

Important Notes

For sizes M5-M12, f_1 and $r_1 = 0,5$, for sizes M16, f_1 and $r_1 = 1$
For size M20, $f_1=1$, $r_1 = 1,5$, for r_1 , radius or 45° bevelling.
Other Tolerances:-

w_4 : M4-M16 = +0,3 -0,16

M20 = +0,5 - 0,2

w_2 : Size 4x8-10x20 = B13

Size 10x40-20x40 = +0,7 +0,15

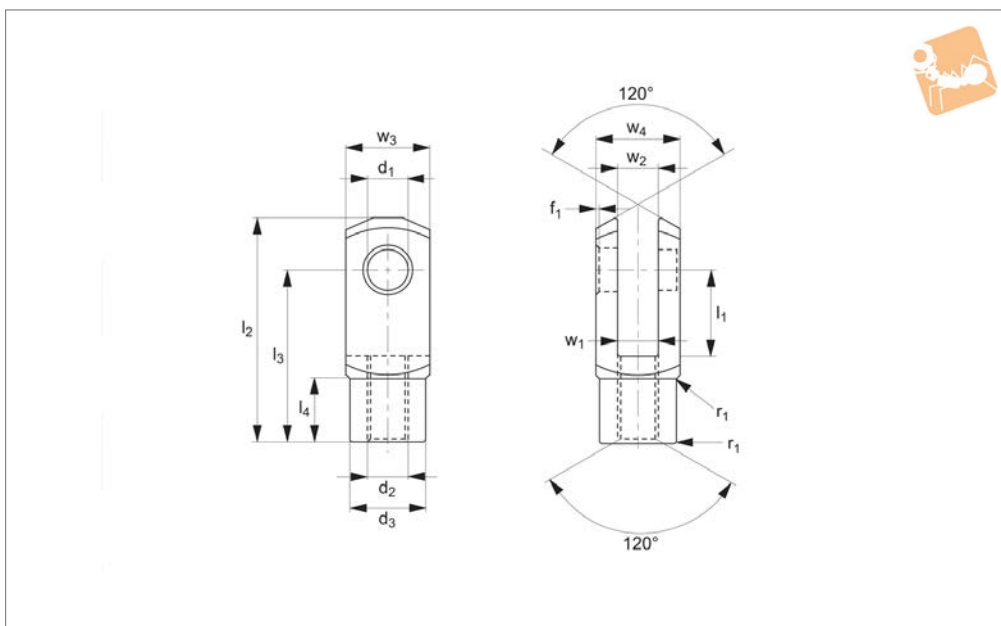
l_3 : up to size 6x12 = ±0,3

From size 6x24 = ±0,4

Order No.	Size	Thread hand	Thread type	d_1 tol. H9	l_1 ±0.5	d_2	d_3	l_2 ±0.5	l_3	l_4	w_1 ±0.5	w_2	w_3 tol. h11	w_4	Weight g
R3406.R051	5x10	Right	Coarse	5	10	M5	9	26	20	7.5	5	5	10	10	9
R3406.R052	5x20	Right	Coarse	5	20	M5	9	36	30	7.5	5	5	10	10	13
R3406.R061	6x12	Right	Coarse	6	12	M6	10	31	24	9.0	6	6	12	12	15
R3406.R062	6x24	Right	Coarse	6	24	M6	10	43	36	9.0	6	6	12	12	21
R3406.R081	8x16	Right	Coarse	8	16	M8	14	42	32	12.0	8	8	16	16	37
R3406.R082	8x16	Right	Fine	8	16	M8x1	14	42	32	12.0	8	8	16	16	37
R3406.R083	8x32	Right	Coarse	8	32	M8	14	58	48	12.0	8	8	16	16	54
R3406.R084	8x32	Right	Fine	8	32	M8x1	14	58	48	12.0	8	8	16	16	54
R3406.R102	10x20	Right	Coarse	10	20	M10	18	52	40	15.0	10	10	20	20	74
R3406.R103	10x20	Right	Fine	10	20	M10x1,25	18	52	40	15.0	10	10	20	20	74
R3406.R104	10x40	Right	Coarse	10	40	M10	18	72	60	15.0	10	10	20	20	116
R3406.R105	10x40	Right	Fine	10	40	M10x1,25	18	72	60	15.0	10	10	20	20	116
R3406.R122	12x24	Right	Coarse	12	24	M12	20	62	48	18.0	12	12	24	24	121
R3406.R123	12x24	Right	Fine	12	24	M12x1,25	20	62	48	18.0	12	12	24	24	121
R3406.R124	12x48	Right	Coarse	12	48	M12	20	86	72	18.0	12	12	24	24	175
R3406.R125	12x48	Right	Fine	12	48	M12x1,25	20	86	72	18.0	12	12	24	24	175
R3406.R163	16x32	Right	Coarse	16	32	M16	26	83	64	24.0	16	16	32	32	282
R3406.R164	16x32	Right	Fine	16	32	M16x1,5	26	83	64	24.0	16	16	32	32	282
R3406.R166	16x64	Right	Coarse	16	64	M16	26	115	96	24.0	16	16	32	32	411
R3406.R167	16x64	Right	Fine	16	64	M16x1,5	26	115	96	24.0	16	16	32	32	411
R3406.R204	20x40	Right	Coarse	20	40	M20	34	105	80	30.0	20	20	40	40	550
R3406.R205	20x40	Right	Fine	20	40	M20x1,5	34	105	80	30.0	20	20	40	40	550



R3407



Material

Stainless steel (1.4305 AISI 303 X8CrNiS18-9)

Technical Notes

M5-M16: DIN 71 752/DIN ISO 8140.

M20: Similar to DIN 71 752 and according to CETOP standard.

Tips

Assembly is made up using R3403 clevis

joint, R3454 pin, and 2 off R3447 circlips.

Important Notes

For sizes M5-M12, f_1 and $r_1 = 0,5$, for sizes M16, f_1 and $r_1 = 1$

For size M20, $f_1=1$, $r_1 = 1,5$, for r_1 , radius or 45° bevelling.

Other Tolerances:-

w_4 : M4-M16 = +0,3 -0,16

M20 = +0,5 - 0,2

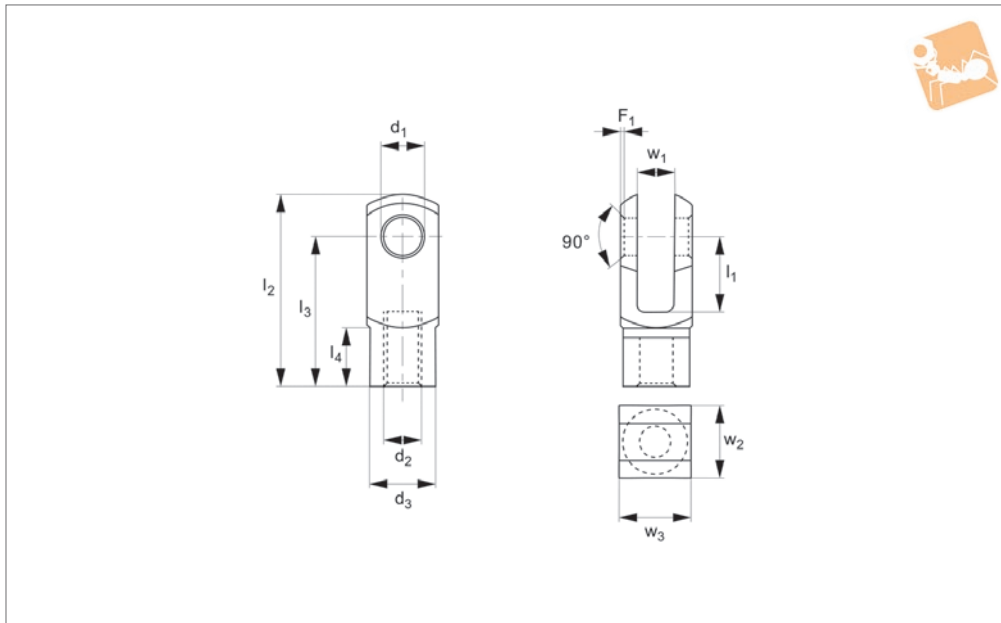
w_2 : Size 4x8-10x20 = B13

Size 10x40-20x40 = +0,7 +0,15

l_3 : up to size 6x12 = ±0,3

From size 6x24 = ±0,4

Order No.	Size	Thread hand	Thread type	d_1 tol. H9	l_1 ±0.5	d_2	d_3	l_2 ±0.5	l_3	l_4	w_1 tol. B13	w_2	w_3 tol. h11	w_4	Weight g
R3407.L051	5x10	Left	Coarse	5	10	M5	9	26	20	7.5	5	5	10	10	9
R3407.L052	5x20	Left	Coarse	5	20	M5	9	36	30	7.5	5	5	10	10	13
R3407.L061	6x12	Left	Coarse	6	12	M6	10	31	24	9.0	6	6	12	12	15
R3407.L062	6x24	Left	Coarse	6	24	M6	10	43	36	9.0	6	6	12	12	21
R3407.L081	8x16	Left	Coarse	8	16	M8	14	42	32	12.0	8	8	16	16	37
R3407.L082	8x16	Left	Fine	8	16	M8x1	14	42	32	12.0	8	8	16	16	37
R3407.L083	8x32	Left	Coarse	8	32	M8	14	58	48	12.0	8	8	16	16	54
R3407.L084	8x32	Left	Fine	8	32	M8x1	14	58	48	12.0	8	8	16	16	54
R3407.L102	10x20	Left	Coarse	10	20	M10	18	52	40	15.0	10	10	20	20	74
R3407.L103	10x20	Left	Fine	10	20	M10x1,25	18	52	40	15.0	10	10	20	20	74
R3407.L104	10x40	Left	Coarse	10	40	M10	18	72	60	15.0	10	10	20	20	116
R3407.L105	10x40	Left	Fine	10	40	M10x1,25	18	72	60	15.0	10	10	20	20	116
R3407.L122	12x24	Left	Coarse	12	24	M12	20	62	48	18.0	12	12	24	24	121
R3407.L123	12x24	Left	Fine	12	24	M12x1,25	20	62	48	18.0	12	12	24	24	121
R3407.L124	12x48	Left	Coarse	12	48	M12	20	86	72	18.0	12	12	24	24	175
R3407.L125	12x48	Left	Fine	12	48	M12x1,25	20	86	72	18.0	12	12	24	24	175
R3407.L163	16x32	Left	Coarse	16	32	M16	26	83	64	24.0	16	16	32	32	282
R3407.L164	16x32	Left	Fine	16	32	M16x1,5	26	83	64	24.0	16	16	32	32	282
R3407.L166	16x64	Left	Coarse	16	64	M16	26	115	96	24.0	16	16	32	32	411
R3407.L167	16x64	Left	Fine	16	64	M16x1,5	26	115	96	24.0	16	16	32	32	411
R3407.L204	20x40	Left	Coarse	20	40	M20	34	105	80	30.0	20	20	40	40	550
R3407.L205	20x40	Left	Fine	20	40	M20x1,5	34	105	80	30.0	20	20	40	40	550



R3409

CLEVIS JOINTS & CLIPS

Material

Black Plastic (Igumid G)

Technical Notes

Light weight, Universal corrosion resistance.

High tensile strength, vibration and noise

dampening.

Can be used in conjunction with rod ends R3582 and R3583.

Tips

Standard thread is right hand thread.

Important Notes

For pins and clips, see R3453 and R3446.

Order No.	Size	Thread hand	Thread type	d ₁ tol. h9	l ₁ tol. h11	d ₂ tol. 6H	d ₃ +0.3 -0.3	f +0.3 -0.3	l ₂ ±0.5	l ₃ +0.3 -0.3	Weight g
R3409.R040	4x8	Right	Coarse	4	8	M3,5	8.0	0.5	21.0	16.0	0.8
R3409.R041	4x8	Right	Coarse	4	8	M4	8.0	0.5	21.0	16.0	0.8
R3409.R042	5x10	Right	Coarse	5	10	M4	9.0	0.5	25.5	20.0	1.5
R3409.R051	5x10	Right	Coarse	5	10	M5	9.0	0.5	25.5	20.0	1.5
R3409.R052	5x12	Right	Coarse	5	12	M5	10.0	0.5	30.6	24.0	2.7
R3409.R061	6x12	Right	Coarse	6	12	M6	10.0	0.5	30.6	24.0	2.7
R3409.R081	8x16	Right	Coarse	8	16	M8	14.0	0.5	41.6	32.0	6.3
R3409.R102	10x20	Right	Coarse	10	20	M10	18.0	0.5	51.3	40.0	13.1
R3409.R103	10x20	Right	Fine	10	20	M10x1,25	18.0	0.5	51.3	40.0	13.1
R3409.R122	12x24	Right	Coarse	12	24	M12	20.0	0.5	61.3	48.0	20.2
R3409.R123	12x24	Right	Fine	12	24	M12x1,25	20.0	0.5	61.3	48.0	20.2
R3409.R142	14x28	Right	Coarse	14	28	M14	24.0	0.5	71.3	56.0	29.6
R3409.R152	15x28	Right	Coarse	15	28	M14	24.0	0.5	71.3	56.0	30.0
R3409.R163	16x32	Right	Coarse	16	32	M16	26.0	1.0	81.9	64.0	43.3
R3409.R164	16x32	Right	Fine	16	32	M16x1,5	26.0	1.0	81.9	64.0	43.3
R3409.R173	17x32	Right	Coarse	17	32	M16	26.0	1.0	81.9	64.0	43.3
R3409.R174	17x32	Right	Fine	17	32	M16x1,5	26.0	1.0	83.0	64.0	43.3
R3409.R204	20x40	Right	Fine	20	40	M20x1,5	34.0	1.0	105.0	80.0	95.1
R3409.R205	20x40	Right	-	20	40	M20x2,5	34.0	1.0	105.0	80.0	95.1
R3409.L040	4x8	Left	Coarse	4	8	M3,5	8.0	0.5	21.0	16.0	0.8
R3409.L041	4x8	Left	Coarse	4	8	M4	8.0	0.5	21.0	16.0	0.8
R3409.L042	5x10	Left	Coarse	5	10	M4	9.0	0.5	25.5	20.0	1.5
R3409.L051	5x10	Left	Coarse	5	10	M5	9.0	0.5	25.5	20.0	1.5
R3409.L052	5x12	Left	Coarse	5	12	M5	10.0	0.5	30.6	24.0	2.7
R3409.L061	6x12	Left	Coarse	6	12	M6	10.0	0.5	30.6	24.0	2.7
R3409.L081	8x16	Left	Coarse	8	16	M8	14.0	0.5	41.6	32.0	6.3
R3409.L102	10x20	Left	Coarse	10	20	M10	18.0	0.5	51.3	40.0	13.1
R3409.L103	10x20	Left	Fine	10	20	M10x1,25	18.0	0.5	51.3	40.0	13.1
R3409.L122	12x24	Left	Coarse	12	24	M12	20.0	0.5	61.3	48.0	20.2
R3409.L123	12x24	Left	Fine	12	24	M12x1,25	20.0	0.5	61.3	48.0	20.2
R3409.L142	14x28	Left	Coarse	14	28	M14	24.0	0.5	71.3	56.0	29.6



Order No.	Size	Thread hand	Thread type	d ₁ tol. h9	l ₁ tol. h11	d ₂ tol. 6H	d ₃ +0.3 -0.3	f +0.3 -0.3	l ₂ ±0.5	l ₃ +0.3 -0.3	Weight g
R3409.L152	15x28	Left	Coarse	15	28	M14	24.0	0.5	71.3	56.0	30.0
R3409.L163	16x32	Left	Coarse	16	32	M16	26.0	1.0	81.9	64.0	43.3
R3409.L164	16x32	Left	Fine	16	32	M16x1,5	26.0	1.0	81.9	64.0	43.3
R3409.L173	17x32	Left	Coarse	17	32	M16	26.0	1.0	83.0	64.0	43.3
R3409.L174	17x32	Left	Fine	17	32	M16x1,5	26.0	1.0	83.0	64.0	43.3
R3409.L204	20x40	Left	Fine	20	40	M20x1,5	34.0	1.0	105.0	80.0	95.1
R3409.L205	20x40	Left	Fine	20	40	M20x2,5	34.0	1.0	105.0	80.0	95.1

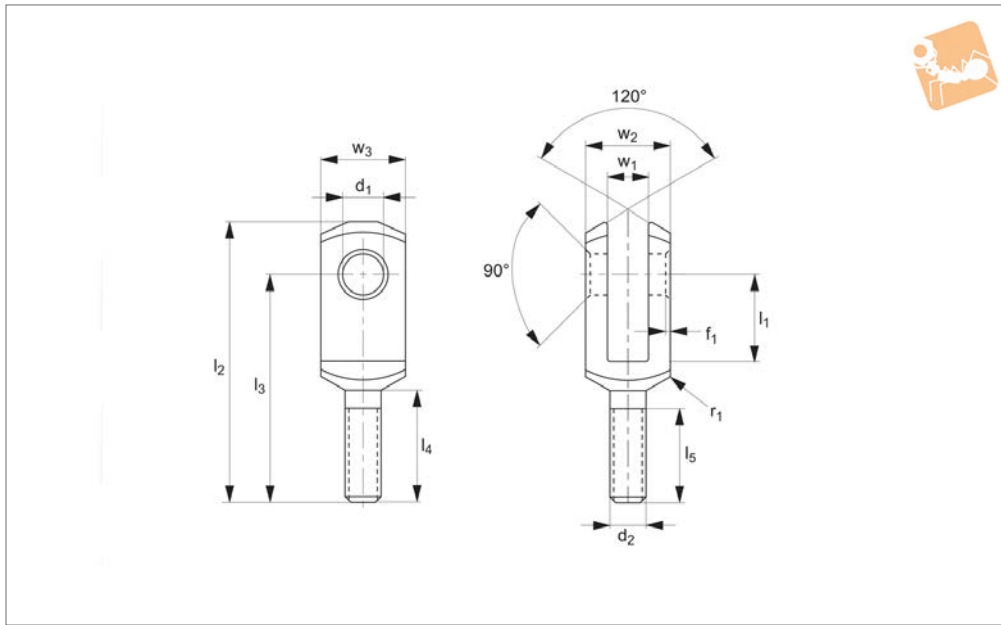
Order No.	l ₄ ±0.2	w ₁ tol. B13	w ₂ +0.3 -0.16	w ₃ tol. B13	Static axial tensile strength (short term)	Static axial tensile strength (long term)	Torque strength
					N max.	N max.	Nm max.
R3409.R040	6.0	4	8	8	650	325	0.4
R3409.R041	6.0	4	8	8	650	325	0.4
R3409.R042	7.5	5	10	10	1000	500	0.4
R3409.R051	7.5	5	10	10	1000	500	0.5
R3409.R052	9.0	6	12	12	1200	600	0.5
R3409.R061	9.0	6	12	12	1400	700	1.5
R3409.R081	12.0	8	16	16	2700	1350	5.0
R3409.R102	15.0	10	20	20	4700	2350	15.0
R3409.R103	15.0	10	20	20	4700	2350	6.0
R3409.R122	18.0	12	24	24	5700	2850	20.0
R3409.R123	18.0	12	24	24	5700	2850	15.0
R3409.R142	22.5	14	27	27	6600	3300	25.0
R3409.R152	22.5	14	27	27	3200	1600	25.0
R3409.R163	24.0	16	32	32	7500	3750	30.0
R3409.R164	24.0	16	32	32	7500	3750	27.5
R3409.R173	24.0	16	32	32	3600	1800	30
R3409.R174	24.0	16	32	32	3600	1800	27.5
R3409.R204	30.0	20	40	40	9500	4750	60.0
R3409.R205	30.0	20	40	40	9500	4750	80.0
R3409.L040	6.0	8	8	4	650	325	0.4
R3409.L041	6.0	8	8	4	650	325	0.4
R3409.L042	7.5	10	10	5	1000	500	0.4
R3409.L051	7.5	10	10	5	1000	500	0.5
R3409.L052	9.0	12	12	6	1200	600	0.5
R3409.L061	9.0	12	12	6	1400	700	1.5
R3409.L081	12.0	16	16	8	2700	1350	5.0
R3409.L102	15.0	20	20	10	4700	2350	15.0
R3409.L103	15.0	20	20	10	4700	2350	6.0
R3409.L122	18.0	24	24	12	5700	2850	20.0
R3409.L123	18.0	24	24	12	5700	2850	15.0
R3409.L142	22.5	27	27	14	6600	3300	25.0
R3409.L152	22.5	27	27	14	3200	1600	25.0
R3409.L163	24.0	32	32	16	7500	3750	30.0
R3409.L164	24.0	32	32	16	7500	3750	27.5
R3409.L173	24.0	32	32	16	3600	1800	30.0
R3409.L174	24.0	32	32	16	3600	1800	27.5
R3409.L204	30.0	40	40	20	9500	4750	60.0
R3409.L205	30.0	40	40	20	9500	4750	80.0



Male Clevis Joints

silver zinc plated

Clevis Joints & Clips



R3410

CLEVIS JOINTS & CLIPS

Material

Steel (1.0718) silver zinc plated.

standard.

Other Tolerances: for r_1 , radius or 45° bevelling.

Technical Notes

Similar to DIN 71 752/DIN ISO 8140/CETOP

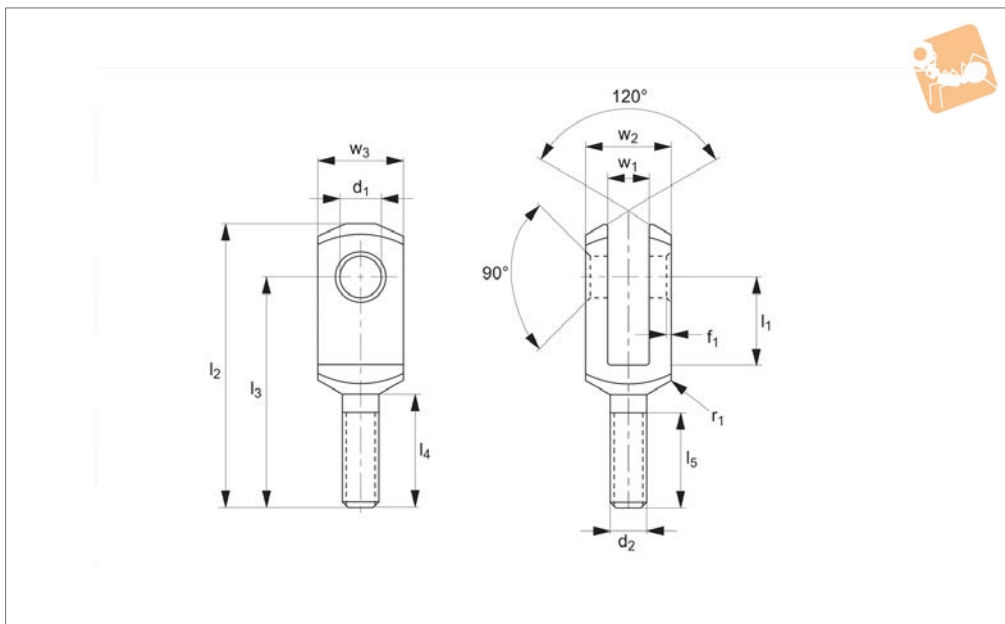
Tips

Standard thread is right hand, (for left hand, see R3411).

Order No.	Size	Thread hand	d_1 tol. H9	l_1 ± 0.5	d_2	l_2 ± 0.2	l_3 ± 0.4	l_4 ± 0.2	l_5	w_1 +0.7 +0.15	w_2 +0.5 +0.2	w_3 tol. h11	f_1 ± 0.2	r_1	Weight g
R3410.R006	6x12	Right	6	12	M6	44	37	20	15	6	12	12	0.5	0.8	15
R3410.R008	8x16	Right	8	16	M8	57	47	25	20	8	16	16	0.5	0.8	36
R3410.R010	10x20	Right	10	20	M10	69	57	30	25	10	20	20	0.5	0.8	68
R3410.R012	12x24	Right	12	24	M12	82	68	35	30	12	24	24	0.5	0.8	112
R3410.R014	14x28	Right	14	28	M14	94	78	40	35	14	27	27	1.0	1.2	171
R3410.R016	16x32	Right	16	32	M16	108	89	45	40	16	32	32	1.0	1.2	288
R3410.R020	20x40	Right	20	40	M20	134	109	55	50	20	40	40	1.0	1.5	550



R3411



Material
Steel (1.0718) silver zinc plated.

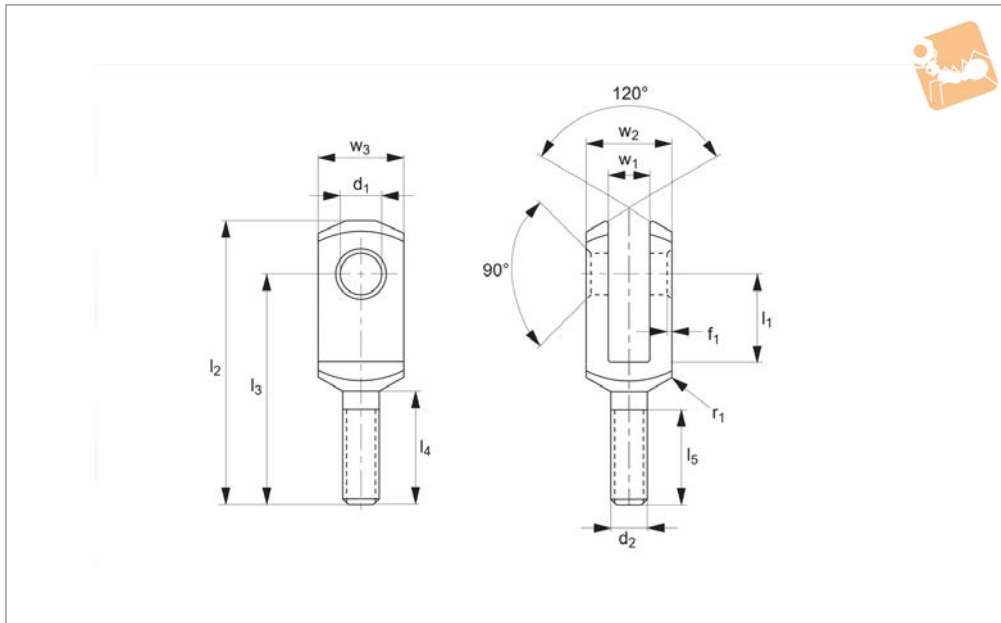
standard.

Other Tolerances: for r_1 , radius or 45° beveling.

Technical Notes
Similar to DIN 71 752/DIN ISO 8140/CETOP

Tips
Standard thread is right hand, (for left hand, see R3411).

Order No.	Size	Thread hand	d_1 tol. H9	l_1 ± 0.5	d_2	l_2 ± 0.2	l_3 ± 0.4	l_4 ± 0.2	l_5	w_1 $+0.7 -0.15$	w_2 $+0.5 +0.2$	w_3 tol. h11	f_1 ± 0.2	r_1	Weight g
R3411.L006	6x12	Left	6	12	M6	44	37	20	15	6	12	12	0.5	0.8	15
R3411.L008	8x16	Left	8	16	M8	57	47	25	20	8	16	16	0.5	0.8	36
R3411.L010	10x20	Left	10	20	M10	69	57	30	25	10	20	20	0.5	0.8	68
R3411.L012	12x24	Left	12	24	M12	82	68	35	30	12	24	24	0.5	0.8	112
R3411.L014	14x28	Left	14	28	M14	94	78	40	35	14	27	27	1.0	1.2	171
R3411.L016	16x32	Left	16	32	M16	108	89	45	40	16	32	32	1.0	1.2	288
R3411.L020	20x40	Left	20	40	M20	134	109	55	50	20	40	40	1.0	1.5	550



R3416

CLEVIS JOINTS & CLIPS

Material

Stainless steel (1,4305 AISI 303).

standard.

Other Tolerances: For r_1 , radius or 45° bevelling.

Technical Notes

Similar to DIN 71 752/DIN ISO 8140/CETOP

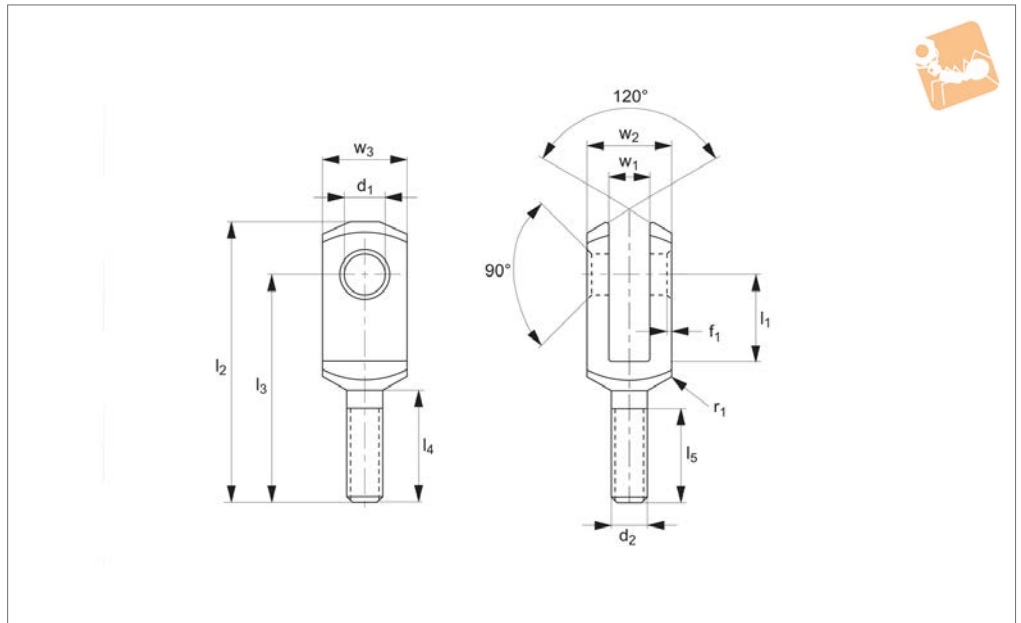
Tips

Standard is right hand thread, (For left hand see R3417).

Order No.	Size	Thread hand	d_1 tol. H9	l_1 ± 0.5	d_2	l_2 ± 0.2	l_3 ± 0.4	l_4 ± 0.2	l_5	w_1 $+0.7 -0.15$	w_2 $+0.5 +0.2$	w_3 tol. h11	f_1 ± 0.2	r_1	Weight g
R3416.R006	6x12	Right	6	12	M 6	44	37	20	15	6	12	12	0.5	0.8	15
R3416.R008	8x16	Right	8	16	M 8	57	47	25	20	8	16	16	0.5	0.8	36
R3416.R010	10x20	Right	10	20	M10	69	57	30	25	10	20	20	0.5	0.8	68
R3416.R012	12x24	Right	12	24	M12	82	68	35	30	12	24	24	0.5	0.8	112
R3416.R014	14x28	Right	14	28	M14	94	78	40	35	14	27	27	1.0	1.2	171
R3416.R016	16x32	Right	16	32	M16	108	89	45	40	16	32	32	1.0	1.2	288
R3416.R020	20x40	Right	20	40	M20	134	109	55	50	20	40	40	1.0	1.5	550



R3417



Material

Stainless steel (1,4305 AISI 303).

standard.

Technical Notes

Similar to DIN 71 752/DIN ISO 8140/CETOP

Tips

Other Tolerances: For r_1 , radius or 45° beveling.

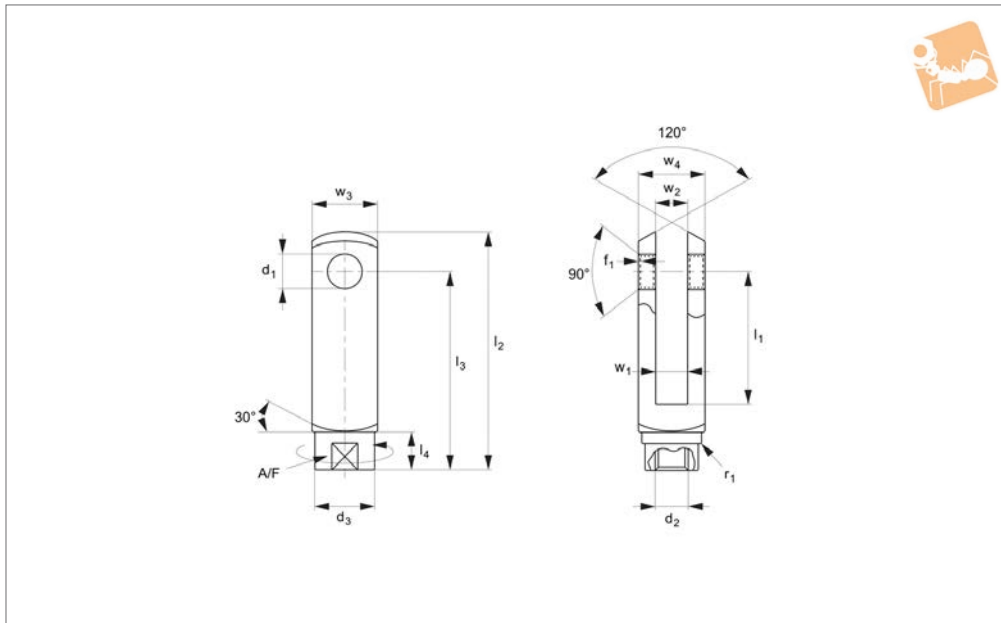
Order No.	Size	Thread hand	d_1 tol. H9	l_1 ± 0.5	d_2	l_2 ± 0.2	l_3 ± 0.4	l_4 ± 0.2	l_5	w_1 $+0.7 -0.15$	w_2 $+0.5 +0.2$	w_3 tol. h11	f_1 ± 0.2	r_1	Weight g
R3417.L006	6x12	Left	6	12	M6	44	37	20	15	6	12	12	0.5	0.8	15
R3417.L008	8x16	Left	8	16	M8	57	47	25	20	8	16	16	0.5	0.8	36
R3417.L010	10x20	Left	10	20	M10	69	57	30	25	10	20	20	0.5	0.8	68
R3417.L012	12x24	Left	12	24	M12	82	68	35	30	12	24	24	0.5	0.8	112
R3417.L014	14x28	Left	14	28	M14	94	78	40	35	14	27	27	1.0	1.2	171
R3417.L016	16x32	Left	16	32	M16	108	89	45	40	16	32	32	1.0	1.2	288
R3417.L020	20x40	Left	20	40	M20	134	109	55	50	20	40	40	1.0	1.5	550



Rotating Clevis Joint

DIN 71752

Clevis Joints & Clips



R3430

CLEVIS JOINTS & CLIPS

Material .R061 - .R121 $l_3 = \pm 0,40$.
Steel

Technical Notes .R050 - .R100 $w_2 = B13$
other tolerances: .R050 - .R060 $l_3 = \pm 0,30$.
.R102 - .R121 $w_2 = +0,70$

Order No.	d_1	l_1	d_2	d_3	l_2	l_4	w_1	w_3	w_4	A/F	Static load d_a N	Weight g
R3430.R050	5	10	M5x0,80	8.8	26	4.0	5	10	10	7	80	14
R3430.R051	5	20	M5x0,80	8.8	36	4.0	5	10	10	7	80	25
R3430.R060	6	12	M6x1,00	10.2	31	9.0	6	12	12	9	240	15
R3430.R061	6	24	M6x1,00	10.2	43	5.6	6	12	12	9	240	40
R3430.R081	8	16	M8x1,25	14.0	42	8.2	8	16	16	12	340	36
R3430.R082	8	32	M8x1,25	14.0	58	8.2	8	16	16	12	340	102
R3430.R100	10	20	M10x1,50	17.8	52	11.8	10	20	20	16	600	70
R3430.R102	10	40	M10x1,50	17.8	72	11.5	10	20	20	16	600	186
R3430.R120	12	24	M12x1,75	20.0	62	14.0	12	24	24	18	1400	121
R3430.R121	12	48	M12x1,75	20.0	86	14.0	12	24	24	18	1400	325



Zinc plated steel

Clevis with retention clip
R3385 and R3386



Clevis with R3450 clevis pin
R3440 safety fastener



Clevis with R3450 clevis pins
and R3447 circlip



Clevis with clevis pin, washer and
cotter pin R3389 and R3390



Stainless steel

Clevis with clevis pin and circlips
R3406 and R3407



Clevis with clevis pin, washer and
cotter pin R3404 and R3405



Assembly options

Clevis with R3420 mating piece
and R3435 clevis retention clip



Clevis with R3554 rod end and
R3435 clevis retention clip



Clevis Joints from Automation Components

CLEVIS JOINTS & CLIPS

Clevises M6 - M42

Clevis joints axially loaded.

Material

Leaded low carbon steel (AISI 12L14, 1.0718).

Clevis size	F min (kN)	F max (kN)	F average value (kN)	Avg. force when clevis starts to deform (kN)
6x24 M 6	16,0	19,5	17,6	15,3
8x32 M 8	33,2	35,6	34,6	29,3
10x40 M10	42,0	52,0	47,5	41,3
12x48 M12	53,0	68,5	61,1	50,2
14x56 M14	60,5	64,5	63,0	48,8
16x64 M16	133,5	146,0	140,2	115
20x40 M20	194,5	234,0	213,5	176
25x50 M25	311,0	336,0	328,0	260
30x60 M30	428,0	450,0	440,6	343
36x72 M36	566,0	573,0	569,5	300
35x72 M36	561,2	567,9	564,6	370
42x84 M42	904,6	904,6	904,6	420

Information

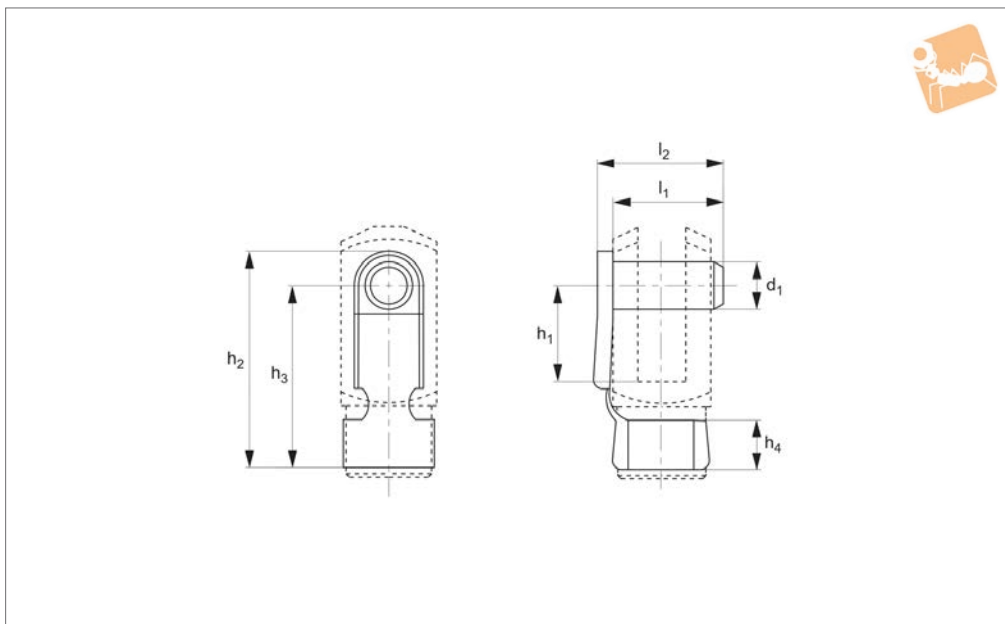
Important note: values in this table are indicative only and should only be used as a rough guide. The Company cannot foresee the intended applications of their products and we accept no liability for any actions taken by third parties. Customers are advised to use their own safety factors and/or perform their own testing on the clevis joint to ensure it meets requirements for their application.

Clevis Joints from Automotion Components

CLEVIS JOINTS & CLIPS



R3438



Material

Stainless Steel 1.4305 AISI 303

Tips

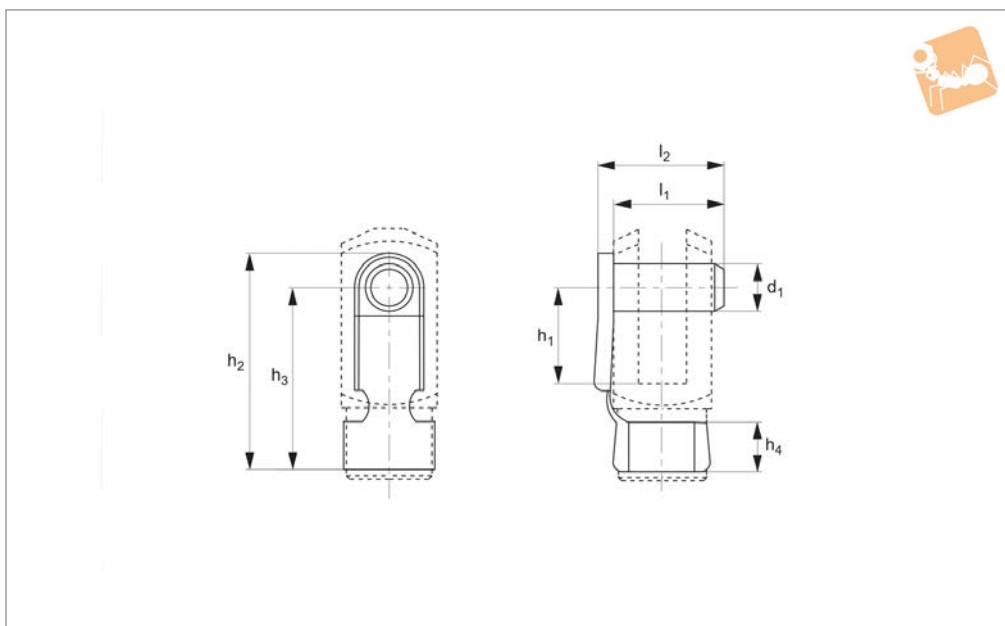
Clips on to base of clevis joint, for clevis joint see part numbers R3402 and R3403.

Order No.	Size	d_1	h_1	h_2	h_3	h_4	l_1	l_2	Weight g
R3438.048	4x8	4	8	19	15	4	9	11	2
R3438.051	5x10	5	10	23	19	4.5	9	14	3
R3438.052	5x20	5	20	33	29	4.5	12	14	3
R3438.061	6x12	6	12	28	23	6	14	16	5
R3438.062	6x24	6	24	40	35	6	14	16	6
R3438.081	8x16	8	16	37	31	8	19	23	11
R3438.083	8x32	8	32	53	47	8	19	23	12
R3438.102	10x20	10	20	46	39	10	23	27	19
R3438.104	10x40	10	40	66	59	10	23	27	20
R3438.122	12x24	12	24	55	46	12	28	32	32
R3438.124	12x48	12	48	79	71	12	28	32	34
R3438.142	14x28	14	28	62	52	14	31	34	47
R3438.145	14x56	14	56	92	82	14	31	34	50
R3438.163	16x32	16	32	72	62	16	36	41	67
R3438.166	16x64	16	64	103	92	16	36	39	74
R3438.204	20x40	20	40	88	72	16	44	49	130

Clevis Retention Clips

silver zinc plated

Clevis Joints & Clips



R3435

CLEVIS JOINTS & CLIPS

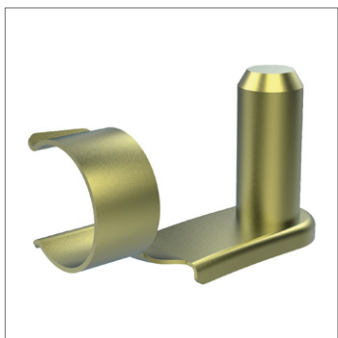
Material

Pin - steel (9SMnPb28), spring - carbon steel C70, silver zinc plated.

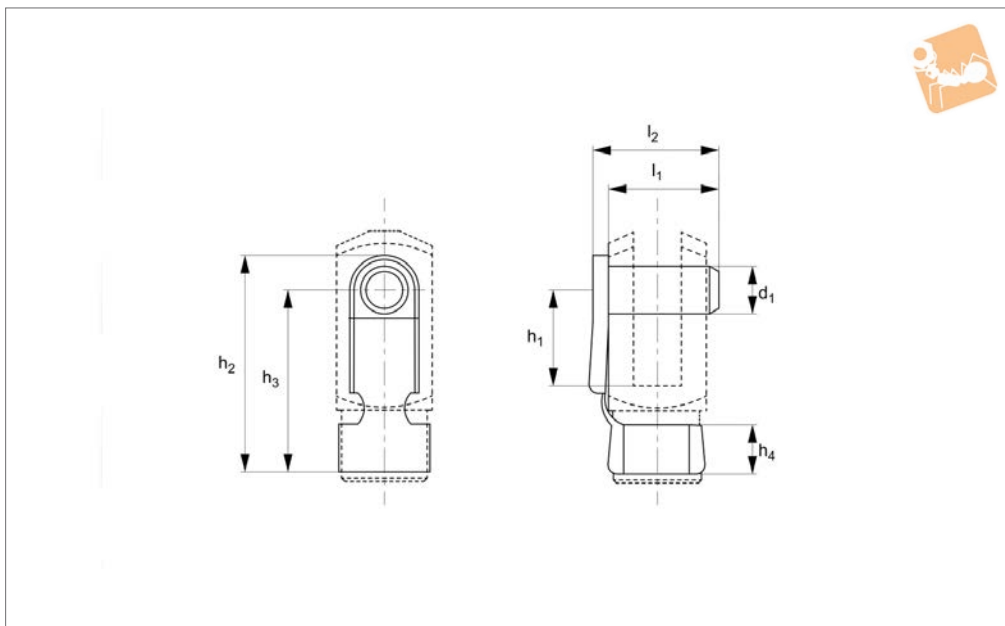
Tips

Clips on to base of clevis joint, for clevis joint see part numbers R3385 and R3386.

Order No.	Size	d ₁ tol. H11	h ₁	h ₂	h ₃	h ₄	l ₁	l ₂	Weight g
R3435.048	4x8	4	8	19	15	4	9	11	2
R3435.051	5x10	5	10	23	19	4.5	12	14	3
R3435.052	5x20	5	20	33	29	4.5	12	14	3
R3435.061	6x12	6	12	28	23	6	14	16	5
R3435.062	6x24	6	24	40	35	6	14	16	5
R3435.081	8x16	8	16	37	31	8	19	23	11
R3435.083	8x32	8	32	53	47	8	19	23	12
R3435.102	10x20	10	20	46	39	10	23	27	19
R3435.104	10x40	10	40	66	59	10	23	27	20
R3435.122	12x24	12	24	55	46	12	28	32	32
R3435.124	12x48	12	48	79	71	12	28	32	34
R3435.142	14x28	14	28	62	52	14	31	34	47
R3435.145	14x56	14	56	92	82	14	31	34	50
R3435.163	16x32	16	32	72	62	16	36	41	67
R3435.166	16x64	16	64	103	92	16	36	39	74
R3435.204	20x40	20	40	88	72	16	44	49	130



R3436.i



Material

Yellow zinc-plated steel

Technical Notes

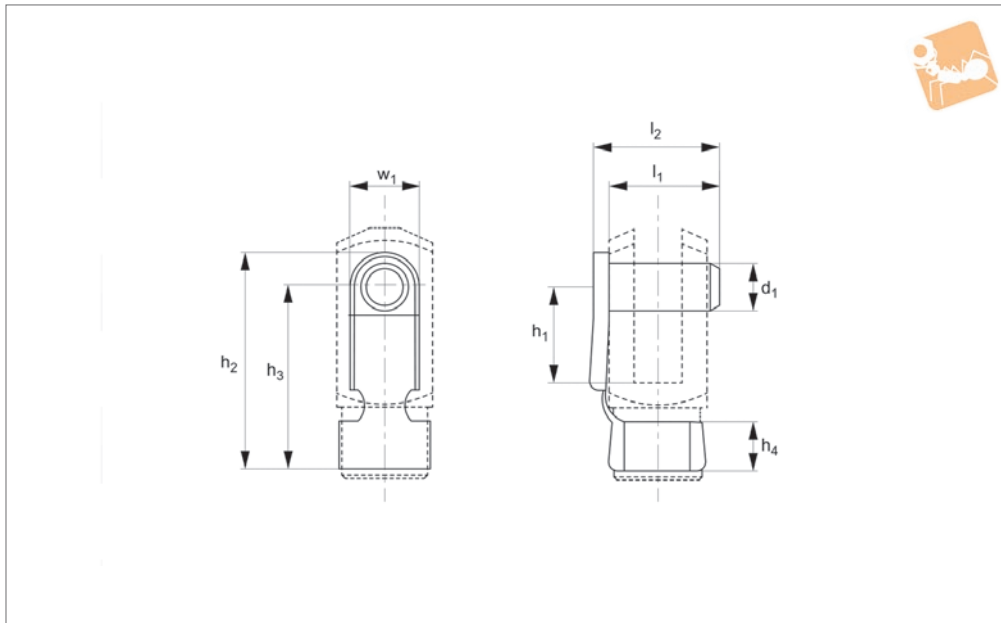
Yellow zinc is not RoHS Compliant.

All measurements are in inches.

Tips

Equivalent to ESI and ESIL Springfix clips

Order No.	d	h ₁	h ₂	h ₃	h ₄	l ₁	l ₂	Weight g
R3436.I187	0.1875	0.394	0.90	0.75	0.22	0.43	0.49	3
R3436.IL187	0.1855	0.787	1.30	1.14	0.22	0.43	0.49	4
R3436.I250	0.2500	0.472	1.10	0.90	0.25	0.56	0.64	5
R3436.IL250	0.2470	0.945	1.57	1.38	0.25	0.56	0.64	6
R3436.I312	0.3125	0.630	1.43	1.18	0.31	0.70	0.79	11
R3436.IL312	0.3095	1.260	2.05	1.81	0.31	0.70	0.79	12
R3436.I375	0.3750	0.787	1.77	1.50	0.39	0.83	0.95	17
R3436.IL375	0.3720	1.575	2.56	2.28	0.39	0.83	0.95	18
R3436.I500	0.5000	1.102	2.44	2.05	0.55	1.09	1.21	40
R3436.IL500	0.4970	1.205	3.58	3.23	0.55	1.09	1.21	43



R3437

CLEVIS JOINTS & CLIPS

Material

Black plastic (Igumid G).

Technical Notes

Spring loaded pins.

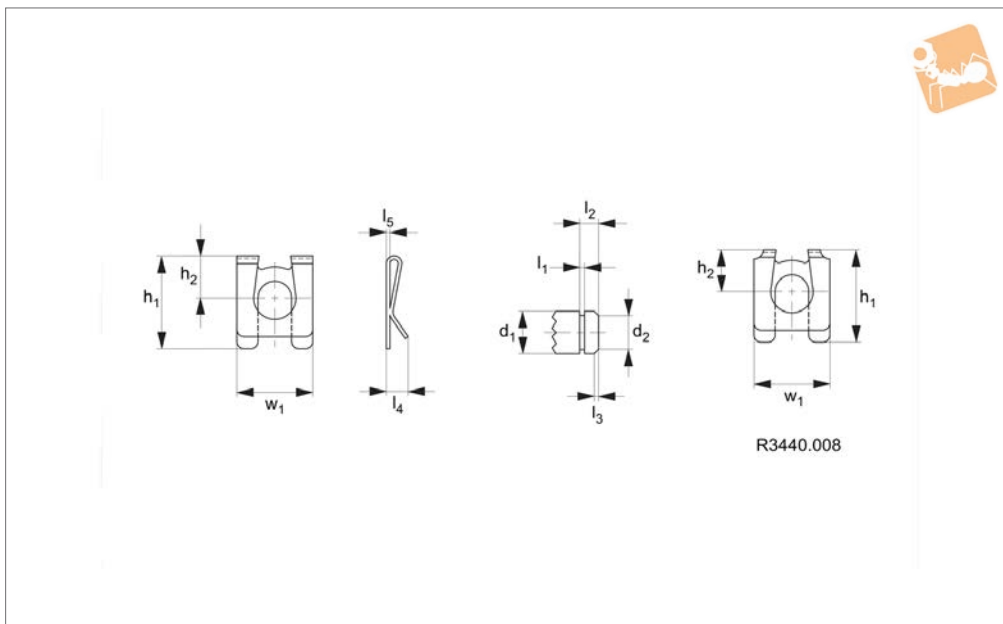
Tips

Clips on to base of clevis joint, for clevis joint see part number R3409.

Order No.	Size	d ₁ tol. h11	h ₁ ±0.5	h ₂	h ₃	h ₄	l ₁	l ₂	w ₁
R3437.048	4x8	4	8	19.0	15	4.5	9.5	10.5	8
R3437.050	5x10	5	10	23.0	19	5.5	12	13.5	8
R3437.051	5x12	5	12	27.0	23	6.5	14	15.5	8
R3437.061	6x12	6	12	27.0	23	6.5	14	15.5	8
R3437.081	8x16	8	16	35.5	30	8.0	19	21.0	11
R3437.102	10x20	10	20	45.0	38	10.0	23	25.5	14
R3437.122	12x24	12	24	53.0	45	12.0	28	31.0	16
R3437.162	16x32	16	32	73.0	62	16.0	36	40.0	22



R3440



Material

Spring steel, silver zinc plated, hardened and annealed 1450 to 1600°C N/mm².

Tips

Easily assembled and removed by hand

without special tools, compatible with clevis pins.

Safety lip prevents accidental removal. Assembly „rattle“ is eliminated by the fasteners concave back holding the clevis

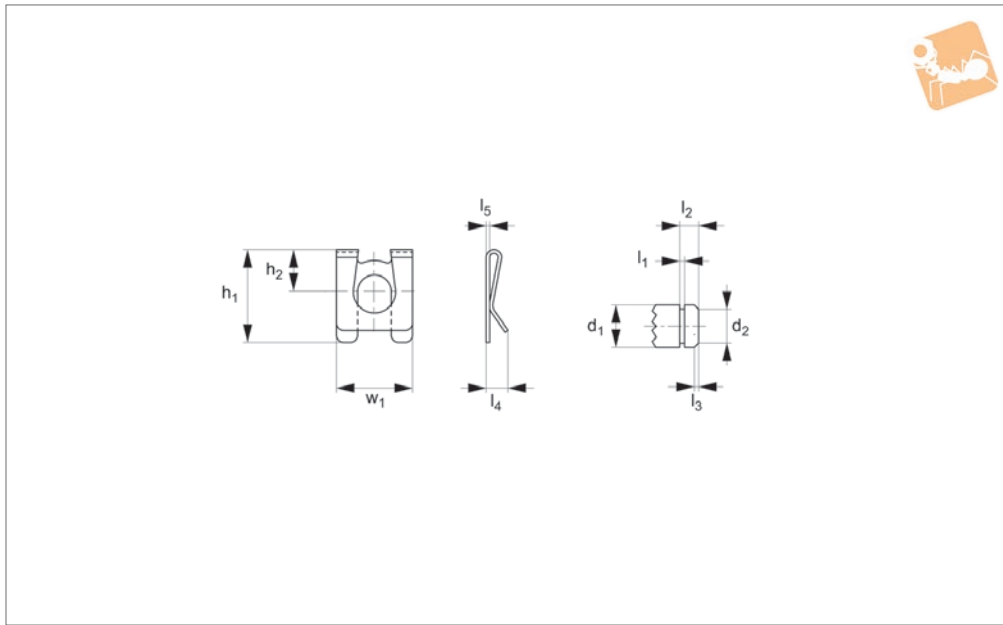
pin under tension.

Order No.	d ₁ tol. h11	d ₂ tol. h11	h ₁	h ₂	l ₁ +0.1	l ₂	l ₃	l ₄	l ₅	w ₁	Axial thrust kN max.	Weight g
R3440.004	4	3.2	8.5	4.0	0.64	2.0	0.5	2.3	0.3	7	1.00	0.19
R3440.005	5	4.0	10.7	5.0	0.74	2.5	0.5	3.3	0.4	9	1.30	0.34
R3440.006	6	5.0	14.1	6.0	0.74	3.0	0.75	3.8	0.4	11	1.50	0.63
R3440.008	8	6.0	17.5	8.0	0.94	3.5	1.0	4.0	0.5	14	3.60	1.10
R3440.010	10	8.0	22.1	10.0	1.05	4.5	1.0	5.0	0.5	18	6.40	2.11
R3440.012	12	9.0	26.0	12.0	1.15	5.0	1.25	5.0	0.5	22	9.60	2.80
R3440.014	14	10.0	30.0	13.5	1.25	5.5	1.5	6.0	0.6	25	11.32	4.74
R3440.016	16	12.0	34.0	16.0	1.35	6.0	1.5	6.0	0.6	28	13.50	5.63



Safety Fastener - Imperial (SLI) for bolts and shafts

Clevis Joints & Clips



R3441.i

CLEVIS JOINTS & CLIPS

Material

Spring steel, yellow zinc plated, hardened and annealed 1450 to 160c N/mm² tensile strength.

Technical Notes

Yellow zinc is not RoHS Compliant

Tips

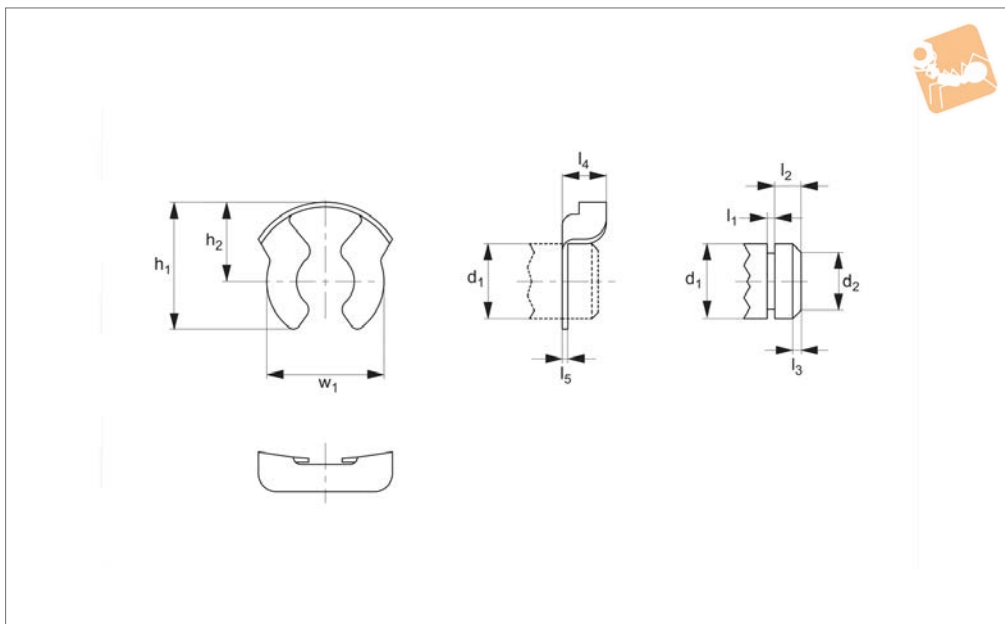
Easily assembled and removed by hand without special tools. Compatible with clevis pins. safety lip prevents accidental removal.
Assembly rattle is eliminated by the faste-

ners concave back holding the clevis pin under tension.

Order No.	d ₁	d ₂	h ₁	h ₂	l ₁	l ₂	l ₃	l ₄	l ₅	w	Weight g
R3441.1187	0.1875	0.140	0.429	0.195	0.020	0.090	0.030	0.084	0.015	0.355	0.3
R3441.1250	0.250	0.193	0.562	0.245	0.026	0.110	0.030	0.130	0.018	0.437	0.6
R3441.1312	0.312	0.240	0.679	0.315	0.033	0.130	0.030	0.138	0.020	0.551	1.1
R3441.1375	0.375	0.301	0.844	0.385	0.037	0.167	0.037	0.211	0.020	0.710	2.2
R3441.1500	0.500	0.388	1.200	0.520	0.046	0.208	0.037	0.263	0.020	1.000	5.1



R3444



Material

Steel, silver zinc plated.

Tips

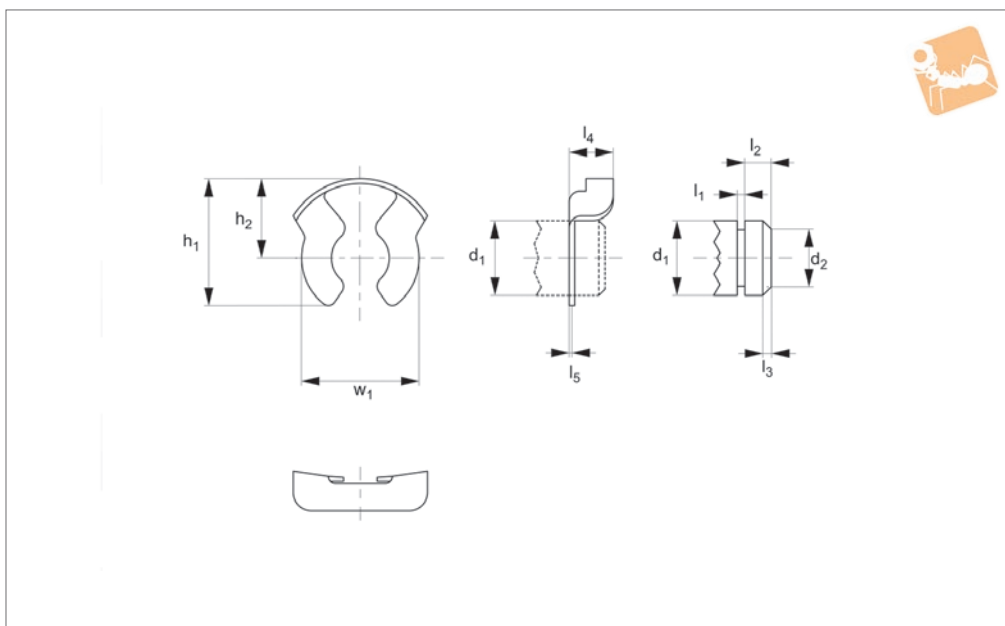
Easily assembled and removed by hand without special tools.

Order No.	d ₁ tol. h11	d ₂ tol. h11	h ₁	h ₂	l ₁ +0.10	l ₂	l ₃	l ₄	l ₅	w	Axial force kN max.
R3444.004	4	3.2	7.2	4.3	0.64	2.0	0.5	2.8	0.4	6.6	1.50
R3444.005	5	4.0	8.4	5.2	0.74	2.5	0.5	2.8	0.5	7.5	3.00
R3444.006	6	5.0	11.25	6.8	0.74	3.0	0.75	3.5	0.5	10.6	4.85
R3444.008	8	6.0	11.9	7.4	0.94	3.5	1.0	4.5	0.5	11.5	5.50
R3444.010	10	8.0	16.3	9.5	1.05	4.5	1.0	5.9	0.6	15.5	9.50
R3444.012	12	9.0	18.0	10.5	1.15	5.5	1.25	6.2	0.6	16.8	10.70
R3444.014	14	10.0	20.0	12.2	1.25	5.5	1.5	6.8	0.7	19.2	12.70
R3444.016	16-18	12.0	24.0	14.3	1.35	5,5-6,0	1.5	7.6	0.8	22.7	14.00
R3444.024	20-25	16-18	34.0	19.0	1.80	5,5-6,5	1.5	9.8	1.0	34.0	16.00

Safety Fastener (KLM)

yellow zinc plated

Clevis Joints & Clips



R3445

CLEVIS JOINTS & CLIPS

Material
Steel, yellow zinc plated.

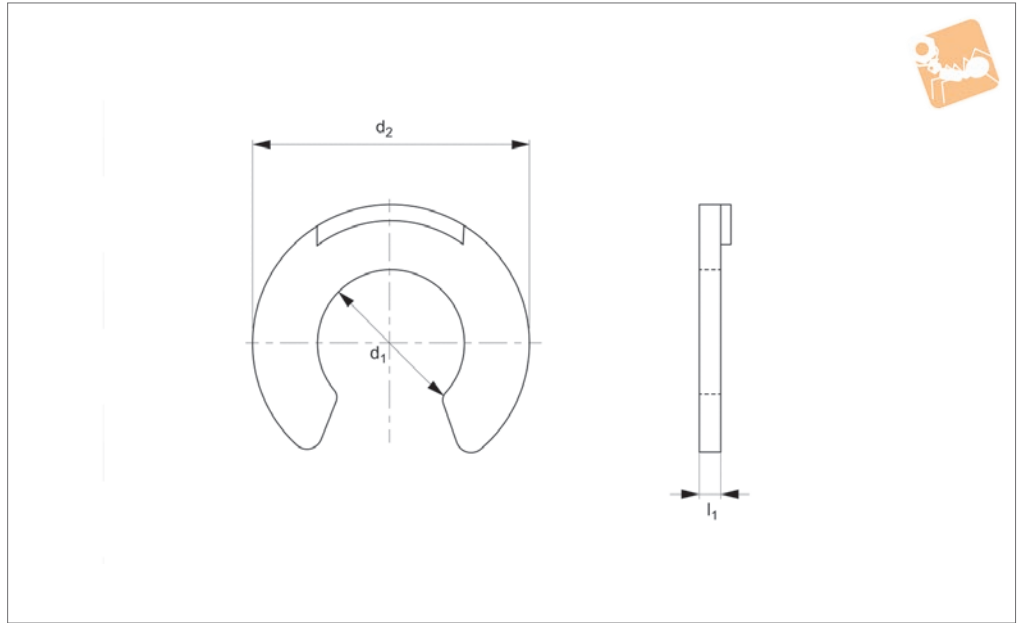
without special tools, for yellow zinc plated version see R3445.

Tips
Easily assembled and removed by hand

Order No.	d ₁ tol. h11	d ₂ tol. h11	h ₁	h ₂	l ₁ +0.10	l ₂	l ₃	l ₄	l ₅	w	Axial force kN max.
R3445.004	4	3.2	7.2	4.3	0.64	2.0	0.5	2.8	0.4	6.6	1.50
R3445.005	5	4.0	8.4	5.2	0.74	2.5	0.5	2.8	0.5	7.5	3.00
R3445.006	6	5.0	11.25	6.8	0.74	3.0	0.75	3.5	0.5	10.6	4.85
R3445.008	8	6.0	11.9	7.4	0.94	3.5	1.0	4.5	0.5	11.5	5.50
R3445.010	10	8.0	16.3	9.5	1.05	4.5	1.0	5.9	0.6	15.5	9.50
R3445.012	12	9.0	18.0	10.5	1.15	5.5	1.25	6.2	0.6	16.8	10.70
R3445.014	14	10.0	20.0	12.2	1.25	5.5	1.5	6.8	0.7	19.2	12.70
R3445.016	16-18	12.0	24.0	14.3	1.35	5,5-6,0	1.5	7.6	0.8	22.7	14.00
R3445.020	20-25	16-18	34.0	19.0	1.80	5,5-6,5	1.5	9.8	1.0	34.0	16.00



R3446



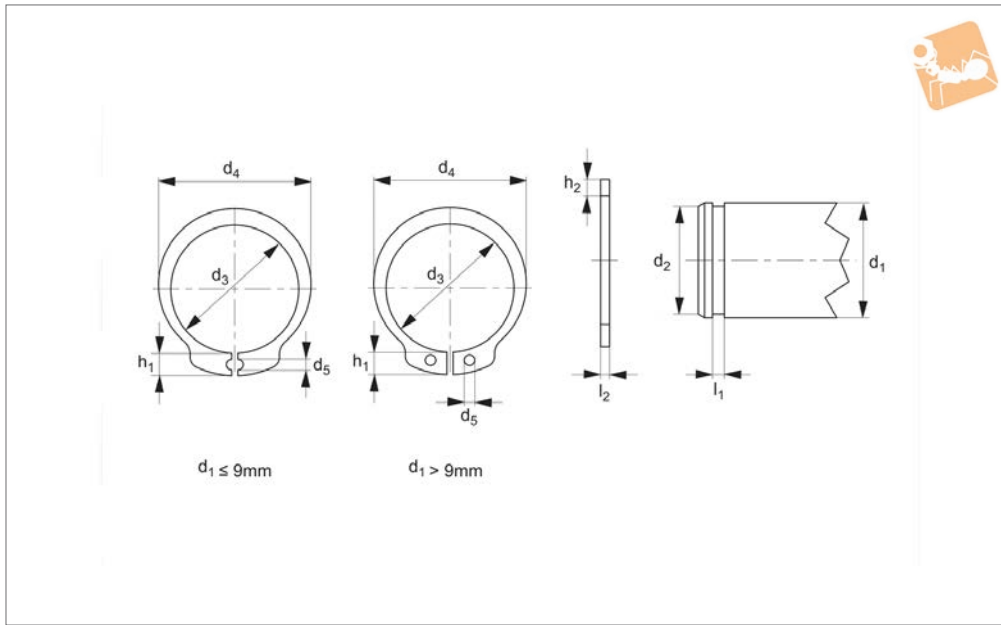
Material

Black plastic (POM).

Important Notes

For use with R3409 clevis joints and R3453 clevis pins.

Order No.	d ₁	d ₂	l ₁
R3446.004	3.2	7.0	1.0
R3446.006	4.0	9.0	1.1
R3446.008	5.0	11.0	1.1
R3446.010	7.0	14.0	1.3
R3446.012	9.0	18.5	1.4
R3446.016	12.0	23.0	1.6
R3446.020	15.0	28.0	1.9



R3447

CLEVIS JOINTS & CLIPS

Material

Stainless steel (AISI 303).

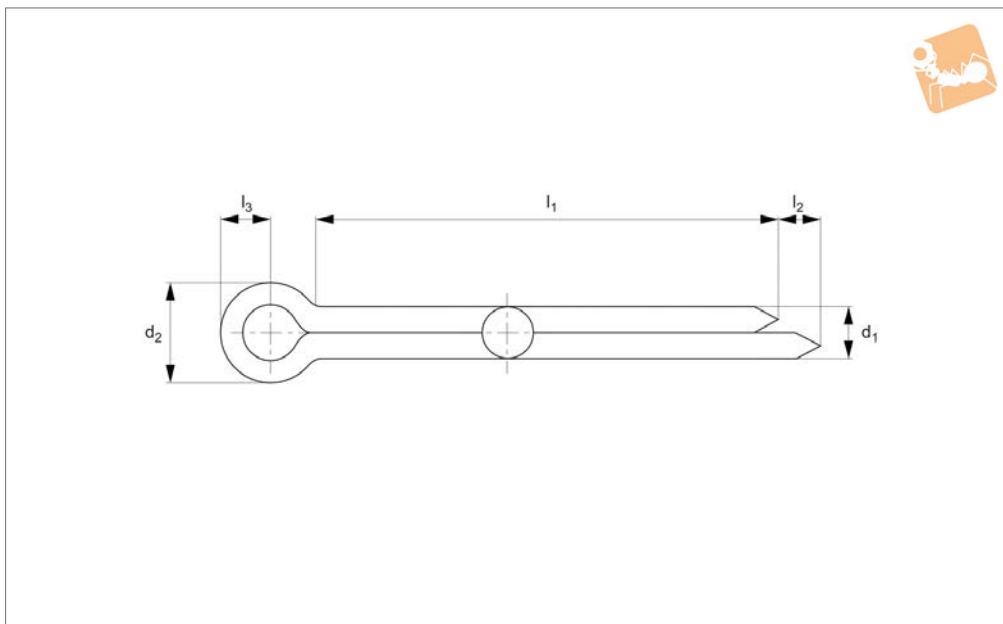
Technical Notes

To DIN 471, for use with R3454 clevis pins and R3402-R3403 clevis joints.

Order No.	d ₁	d ₂	d ₃	d ₄	d ₅ min.	h ₁	h ₂	l ₁	l ₂
R3447.005	5	4.8	3.7	6.2	1.0	2.5	1.1	0.7	0.6
R3447.006	6	5.7	5.6	7.5	1.15	2.7	1.3	0.8	0.7
R3447.008	8	7.6	7.4	9.6	1.2	3.2	1.5	1.1	0.8
R3447.010	10	9.6	9.3	12.7	1.7	3.3	1.8	1.1	1.0
R3447.012	12	11.5	11.0	7.7	1.7	3.3	1.8	1.1	1.0
R3447.016	16	15.2	14.7	12.2	1.7	3.7	2.2	1.1	1.0
R3447.020	20	19.0	18.5	16.2	2.0	4.0	2.6	1.3	1.2



R3448



Material

Mild steel, silver zinc plated.

Technical Notes

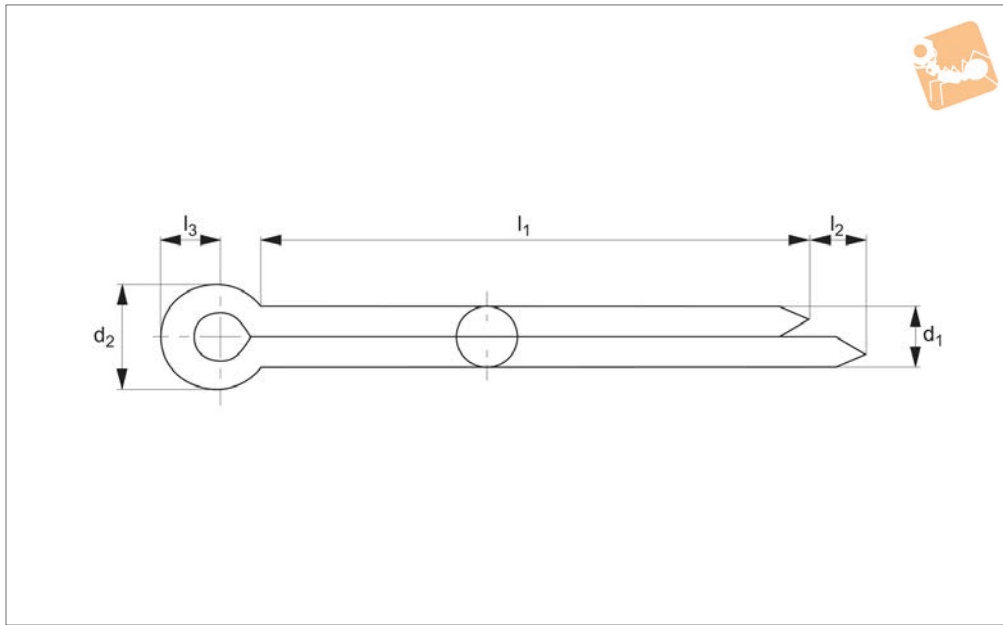
To DIN 94 (equivalent to ISO 1234).

Cotter pins require a loose fit, and as a result the metric versions can also be for inch sizes.

Tips

Used with clevis pins as denoted in product table, with clevis joints R3385 and R3386, and washers R3457.

Order No.	d ₁ nom.	d ₁ min.	d ₁ max.	d ₂ min.	d ₂ max.	l ₁	l ₂	l ₃	For use with clevis pin
R3448.01.0-10	1.0	0.8	0.9	0.8	1.6	10	1.6	3	R3455.005
R3448.01.6-18	1.6	1.3	1.4	1.25	2.5	18	2.5	3.2	R3455.006
R3448.02-18	2.0	1.7	1.8	1.25	2.5	18	2.5	4.0	R3455.008
R3448.03.2-22	3.2	2.7	2.9	1.6	3.2	22	3.2	6.4	R3455.010
R3448.04-28	4.0	3.5	3.7	2.0	4.0	28	4	8	R3455.012-016
R3448.05-50	5.0	4.4	4.6	2.0	4.0	50	4	10	R3455.018-020
R3448.06.3-71	6.0	5.7	5.9	2.0	4.0	71	4	12.6	R3455.025-030
R3448.08-112	8.0	7.3	7.5	2.0	4.0	112	4	16	R3455.035-042
R3448.10-112	10.0	9.3	9.5	3.2	6.3	112	6.3	20	R3455.050



R3449

CLEVIS JOINTS & CLIPS

Material

Stainless steel (A2, DIN 1,4301).

Technical Notes

To DIN 94 (equivalent to ISO 1234).

Cotter pins require a loose fit, and as a result the metric versions can also be for inch sizes.

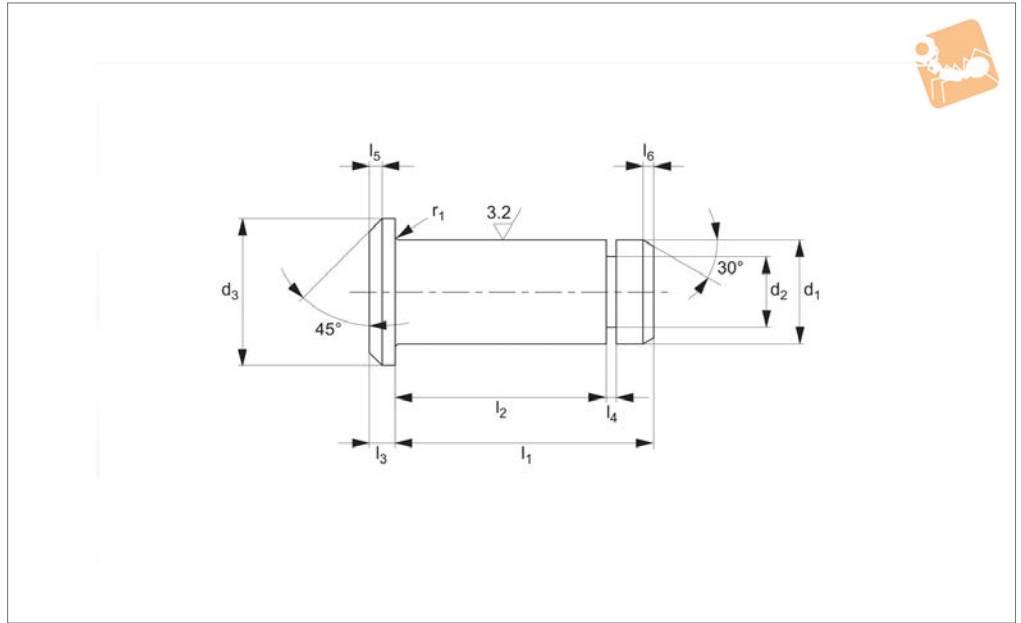
Tips

Used with clevis pins as denoted in product table, with clevis joints R3402 and R3403 and washer R3458.

Order No.	d ₁ nom.	d ₁ min.	d ₁ max.	d ₂ min.	d ₂ max.	l ₁	l ₂	l ₃	For use with clevis pin
R3449.01.0-10	1.0	0.8	0.9	0.8	1.6	10	1.6	3	R3456.004-005
R3449.01.6-18	1.6	1.3	1.4	1.25	2.5	18	2.5	3.2	R3456.006
R3449.02.0-18	2.0	1.7	1.8	1.25	2.5	18	1.25	2.5	R3456.008
R3449.03.2-22	3.2	2.7	2.9	1.6	3.2	22	3.2	6.4	R3456.010
R3449.04-28	4.0	3.5	3.7	2.0	4.0	28	4	8	R3456.012-016
R3449.05-50	5.0	4.4	4.6	2.0	4.0	50	4	10	R3456.020
R3449.06.3-71	6.3	5.7	5.9	2.0	4.0	71	4	12.6	R3456.025



R3450



Material

Steel (9SMnPb28), silver zinc plated.
Stainless steel (A2, AISI 303).

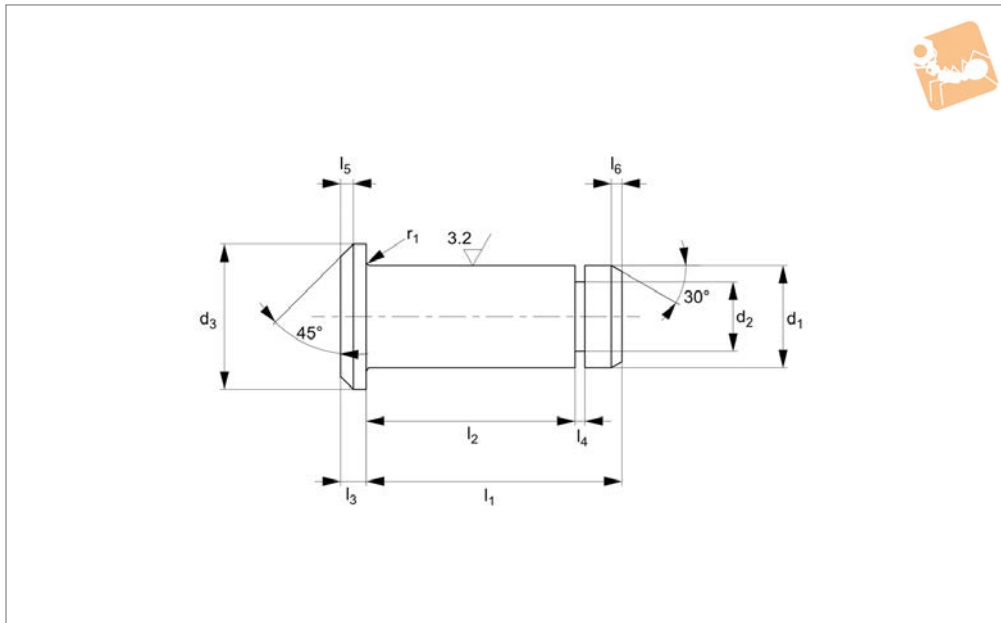
Technical Notes

Designed for use with clevis joints.

Tips

For safety fasteners, see R3440-R3445.

Order No.	d ₁ tol. h11	d ₂ tol. h11	d ₃ tol. h12	l ₁	l ₂ +0.30	l ₃ tol. js14	l ₄ +0.10	l ₅	l ₆	R	Weight g
R3450.004-ZP	4	3.2	6	10.5	8.5	1.0	0.64	0.5	0.5	0.3	2
R3450.005-ZP	5	4.0	8	13.0	10.5	1.5	0.74	0.5	0.5	0.5	3
R3450.006-ZP	6	5.0	9	15.5	12.5	1.5	0.74	0.5	0.75	0.5	4
R3450.008-ZP	8	6.0	12	20.0	16.5	2.0	0.94	1.0	1.0	0.5	9
R3450.010-ZP	10	8.0	14	25.0	20.5	2.0	1.05	1.0	1.0	0.5	17
R3450.012-ZP	12	9.0	17	30.0	24.5	3.0	1.15	1.25	1.25	0.5	30
R3450.014-ZP	14	10.0	19	33.0	27.5	3.0	1.25	1.5	1.5	1.0	48
R3450.016-ZP	16	12.0	20	38.5	32.5	3.0	1.35	1.5	1.5	1.0	67
R3450.020-ZP	20	17.5	26	46.0	40.5	4.0	1.8	2.0	1.5	1.0	125
R3450.025-ZP	25	18.0	32	57.0	50.5	5.0	1.8	2.0	1.5	1.0	260
R3450.004-A2	4	3.2	6	10.5	8.5	1.0	0.64	0.5	0.5	0.3	2
R3450.005-A2	5	4.0	8	13.0	10.5	1.5	0.74	0.5	0.5	0.5	3
R3450.006-A2	6	5.0	9	15.5	12.5	1.5	0.74	0.5	0.75	0.5	4
R3450.008-A2	8	6.0	12	20.0	16.5	2.0	0.94	1.0	1.0	0.5	9
R3450.010-A2	10	8.0	14	25.0	20.5	2.0	1.05	1.0	1.0	0.5	17
R3450.012-A2	12	9.0	17	30.0	24.5	3.0	1.15	1.25	1.25	0.5	30
R3450.014-A2	14	10.0	19	33.0	27.5	3.0	1.25	1.5	1.5	1.0	48
R3450.016-A2	16	12.0	20	38.5	32.5	3.0	1.35	1.5	1.5	1.0	67
R3450.020-A2	20	17.5	26	46.0	40.5	4.0	1.8	2.0	1.5	1.0	125
R3450.025-A2	25	18.0	32	57.0	50.5	5.0	1.8	2.0	1.5	1.0	260



R3451.i

CLEVIS JOINTS & CLIPS

Material
Steel (9SMnPb28) yellow zinc plated.

use with clevis joints, yellow zinc is not RoHS Compliant.

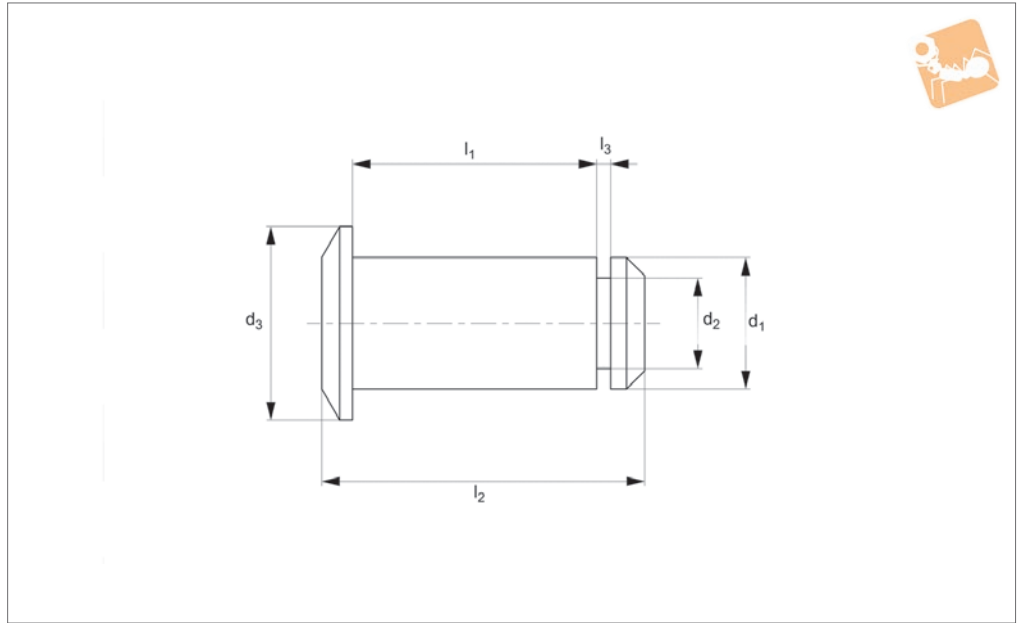
Technical Notes
Equivalent to Springfix NBI, designed for

Tips
For safety fasteners, see R3441.

Order No.	d ₁	d ₂	d ₃	l ₁	l ₂	l ₃	l ₄	Weight g
R3451.1187	0.1875	0.140	0.250	0.475	0.380	0.050	0.020	3
R3451.1250	0.250	0.193	0.343	0.620	0.505	0.062	0.026	4
R3451.1312	0.312	0.240	0.437	0.765	0.630	0.078	0.033	10
R3451.1375	0.375	0.301	0.500	0.927	0.755	0.090	0.037	17
R3451.1500	0.500	0.388	0.625	1.218	1.005	0.110	0.046	30



R3453



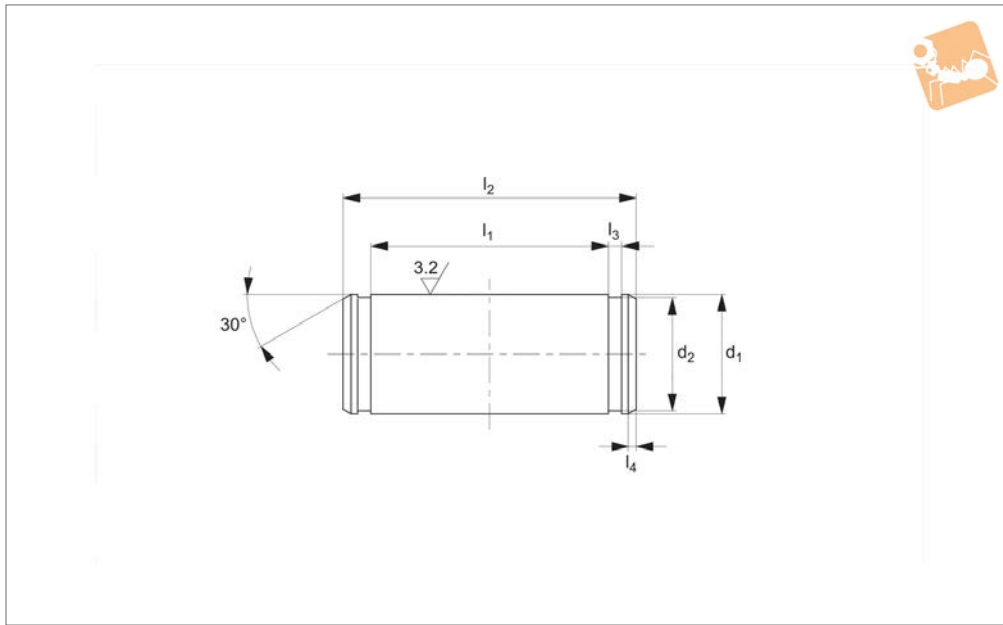
Material

Black plastic (Igumid G).

Important Notes

For use with R3409 clevis joints and R3446 circlips.

Order No.	d_1 tol. h11	d_2	d_3	l_1	l_2	l_3	Weight g
R3453.004	4	3.2	7	8	12.5	1.05	0.3
R3453.005	5	4.0	8	12	16.5	1.15	0.5
R3453.005-1	5	4.0	8	10	14.5	1.15	0.5
R3453.006	6	4.0	9	12	16.5	1.15	0.7
R3453.008	8	5.0	12	16	21.5	1.15	1.5
R3453.010	10	7.0	15	20	27.0	1.35	1.35
R3453.012	12	9.0	18	24	31.5	1.50	1.5
R3453.014	14	12.0	22	27	36.0	1.70	1.7
R3453.015	15	12.0	23	27	36.0	1.70	1.7
R3453.016	16	12.0	24	32	42.0	1.70	1.7
R3453.017	17	12.0	25	32	42.0	1.70	1.7
R3453.020	20	15.0	30	40	51.0	2.00	2.0



R3454

CLEVIS JOINTS & CLIPS

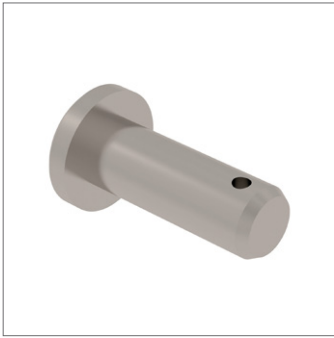
Material

Stainless steel (AISI 303).

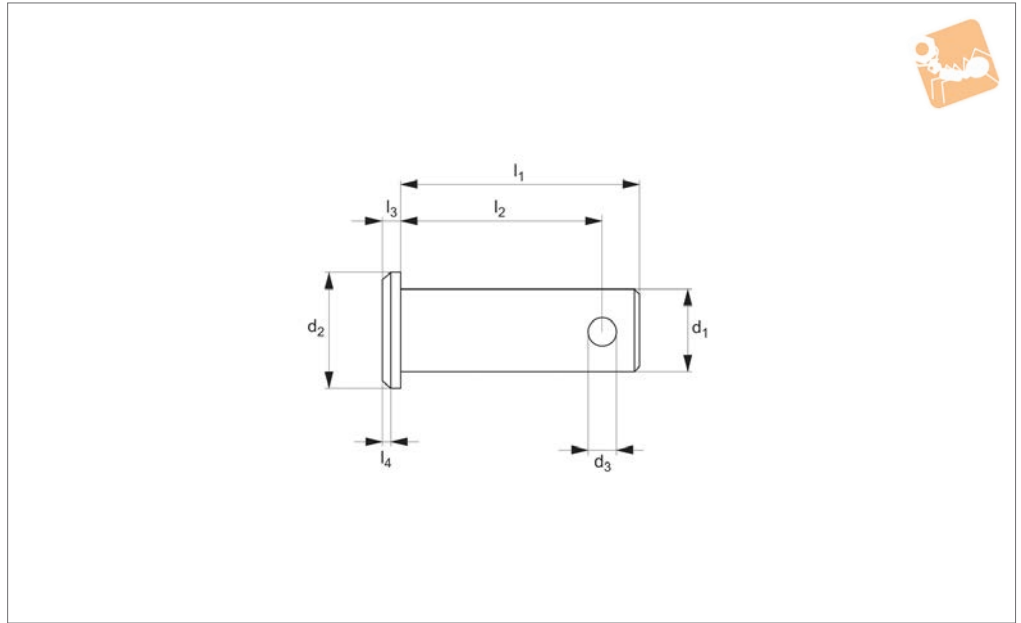
Technical Notes

For use with R3402-R3403 clevis joints and R3447 circlips.

Order No.	d_1 tol. h11	d_2 tol. h11	l_1 +0.30	l_2 +0.40	l_3 tol. h13	l_4	Weight g
R3454.005	5	4.8	10.5	15	0.7	1	3
R3454.006	6	5.7	12.2	17	0.8	1	5
R3454.008	8	7.6	16.5	20	0.9	1	8
R3454.010	10	9.6	20.5	25	1.1	1	15
R3454.012	12	11.5	24.5	30	1.1	1	26
R3454.016	16	15.2	32.5	39	1.1	1	61
R3454.020	20	19.0	40.5	48	1.3	1	118



R3455



Material

Sizes 5-14 steel 1,0214 (QST 36-3).
 Sizes 16-50 steel (1,0718 11SMnPb30+C).
 Zinc-plated.

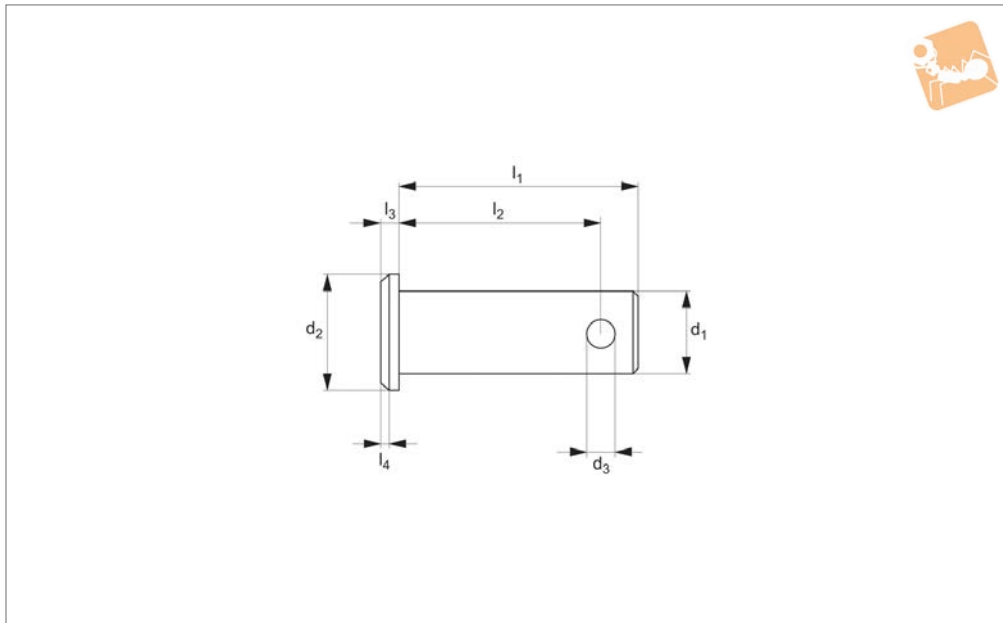
Tips

For use with clevis joints R3385 and R3386,
 for split cotter pins to suit see part number
 P1240.
 For washers see part number P0330-ZP.

Technical Notes

Designed for use with clevis joints.

Order No.	d ₁ tol. h11	d ₂ tol. h14	d ₃ tol. h14	l ₁ tol. js15	l ₂ +0.5	l ₃ tol. js14	l ₄	Weight g
R3455.005	5	8	1.0	15	12.3	1.5	0.5	2.6
R3455.006	6	9	1.6	18	15.3	1.5	0.5	4.6
R3455.008	8	12	2.0	23	19.5	2.0	1.0	10.0
R3455.010	10	14	3.2	29	24.5	2.0	1.0	19.0
R3455.012	12	17	4.0	35	29.5	3.0	1.5	34.0
R3455.014	14	19	4.0	40	32.5	3.0	1.5	53.0
R3455.016	16	20	4.0	45	38.2	3.5	1.5	72.0
R3455.018	18	25	5.0	50	43.5	3.5	1.5	104.0
R3455.020	20	28	5.0	53	47.0	4.0	1.5	139.0
R3455.025	25	34	6.3	67	59.0	5.5	1.5	266.0
R3455.028	28	34	6.3	72	63.2	5.5	2.0	361.0
R3455.030	30	36	6.3	77	68.2	5.5	2.0	428.0
R3455.035	35	45	8.0	87	76.5	7.0	2.0	677.0
R3455.040	40	48	8.0	100	90.0	6.0	5.0	1035.0
R3455.042	42	48	8.0	100	90.0	7.0	5.0	1151.0
R3455.050	50	58	10.0	115	103.0	7.0	6.0	1846.0



R3456

CLEVIS JOINTS & CLIPS

Material

Stainless steel (1.4305, X8CrNiS18-9), for sizes 6-8: stainless steel (1.4567, X3CrNiCu18-9-4).

Tips

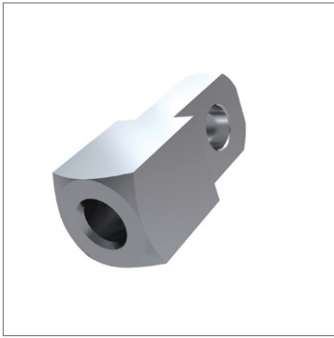
For use with clevis joints R3402 and R3403, for split cotter pins to suit see part number P1241.

For washers see part number P0330.A2.

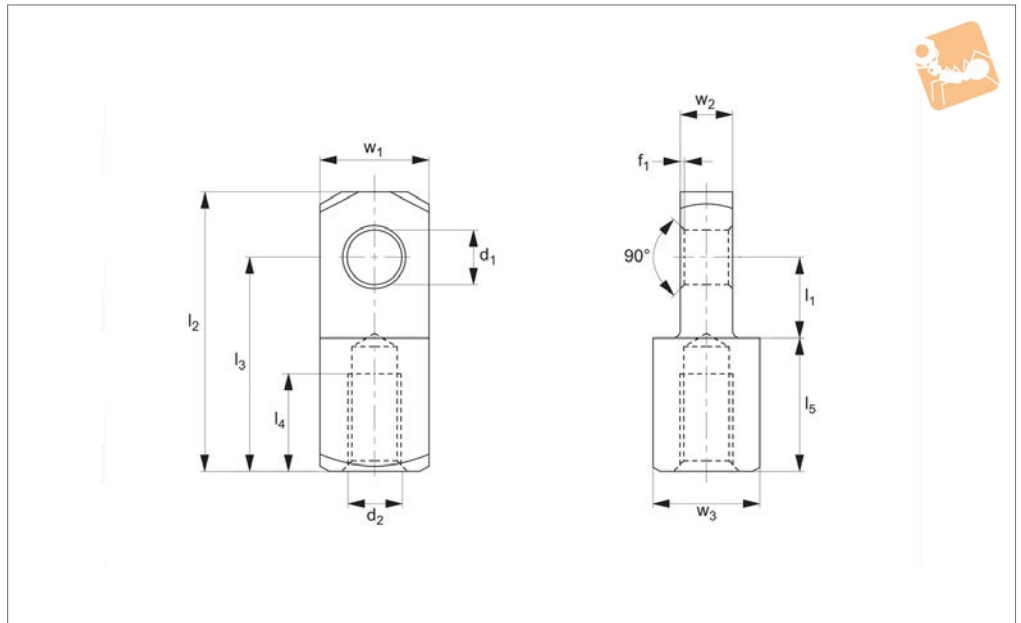
Technical Notes

Designed for use with clevis joints.

Order No.	d ₁ tol. h11	d ₂ tol. h14	d ₃ tol. H14	l ₁ tol. js15	l ₂ +0.5	l ₃ tol. js14	l ₄	Weight g
R3456.005	5	8	1.2	15	12.3	1.5	0.5	2.6
R3456.006	6	9	1.6	18	15.3	1.5	0.5	4.6
R3456.008	8	12	2.0	23	19.5	2.0	1.0	10.0
R3456.010	10	14	3.2	29	24.5	2.0	1.0	19.0
R3456.012	12	17	4.0	35	29.5	3.0	1.5	34.0
R3456.014	14	19	4.0	40	32.5	3.0	1.5	53.0
R3456.016	16	21	4.0	45	38.2	3.0	-	73.0
R3456.020	20	28	5.0	53	47.0	4.0	-	139.0
R3456.025	25	34	6.3	67	59.0	5.5	-	266.0



R3420



Material

Steel (1.0718), silver zinc plated.

Tips

Standard thread is right hand, (for left

hand thread, see R3421).

Thin end of mating piece is designed to fit in between forks of clevis joint.

Designed so thread size matches clevis

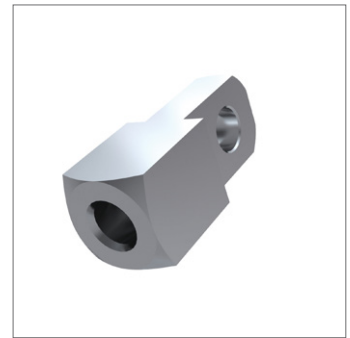
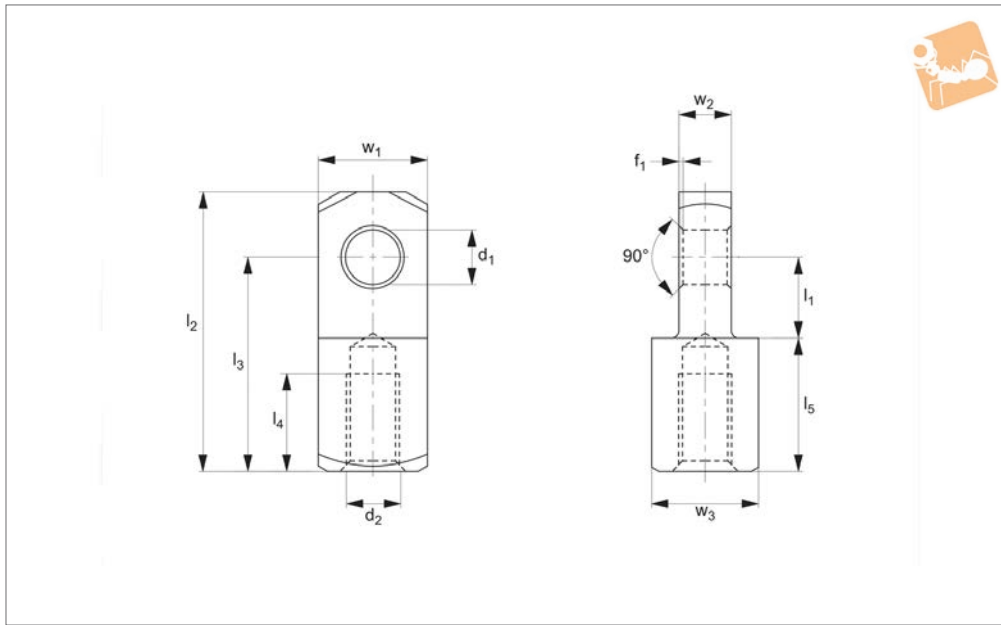
joint, (e.g. M5 mating piece will fit on M5 clevis joint).

Order No.	Thread hand	Thread type	d ₁ tol. H9	l ₁ ±0.5	d ₂	l ₂ ±0.5	l ₃ ±0.5	l ₄	l ₅ ±0.2	w ₁ tol. h11	w ₂ -0.2	w ₃ tol. h11	f ₁ ±0.2	Weight g
R3420.R004	Right	Coarse	4	6.0	M4	21	16	6	10	8	4	8	0.5	6
R3420.R005	Right	Coarse	5	7.5	M5	26	20	8	12.5	10	5	10	0.5	12
R3420.R006	Right	Coarse	6	9.0	M6	31	24	11	15	12	6	12	0.5	21
R3420.R008	Right	Coarse	8	12.0	M8	42	32	14	20	16	8	16	0.5	51
R3420.R009	Right	Fine	8	12.0	M8x1	42	32	14	20	16	8	16	0.5	51
R3420.R010	Right	Coarse	10	15.0	M10	52	40	18	25	20	10	20	0.5	98
R3420.R011	Right	Fine	10	15.0	M10x1,25	52	40	18	25	20	10	20	0.5	98
R3420.R012	Right	Coarse	12	18.0	M12	62	48	22	30	24	12	24	0.5	168
R3420.R013	Right	Fine	12	18.0	M12x1,25	62	48	22	30	24	12	24	0.5	167
R3420.R014	Right	Coarse	14	21.0	M14	72	56	25	35	27	14	27	1.0	247
R3420.R015	Right	Fine	14	21.0	M14x1,5	72	56	25	35	27	14	27	1.0	245
R3420.R016	Right	Coarse	16	24.0	M16	83	64	30	40	32	16	32	1.0	397
R3420.R017	Right	Fine	16	24.0	M16x1,5	83	64	30	40	32	16	32	1.0	395
R3420.R020	Right	Coarse	20	30.0	M20	105	80	38	50	40	20	40	1.0	783
R3420.R021	Right	Fine	20	30.0	M20x1,5	105	80	38	50	40	20	40	1.0	776



Mating Piece for Clevis Joints

left hand thread - silver zinc plated



R3421

Material

Steel (1.0718), silver zinc plated.

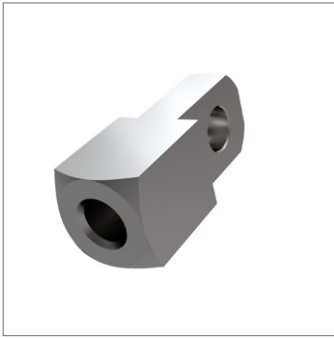
Tips

Thin end of mating piece is designed to fit

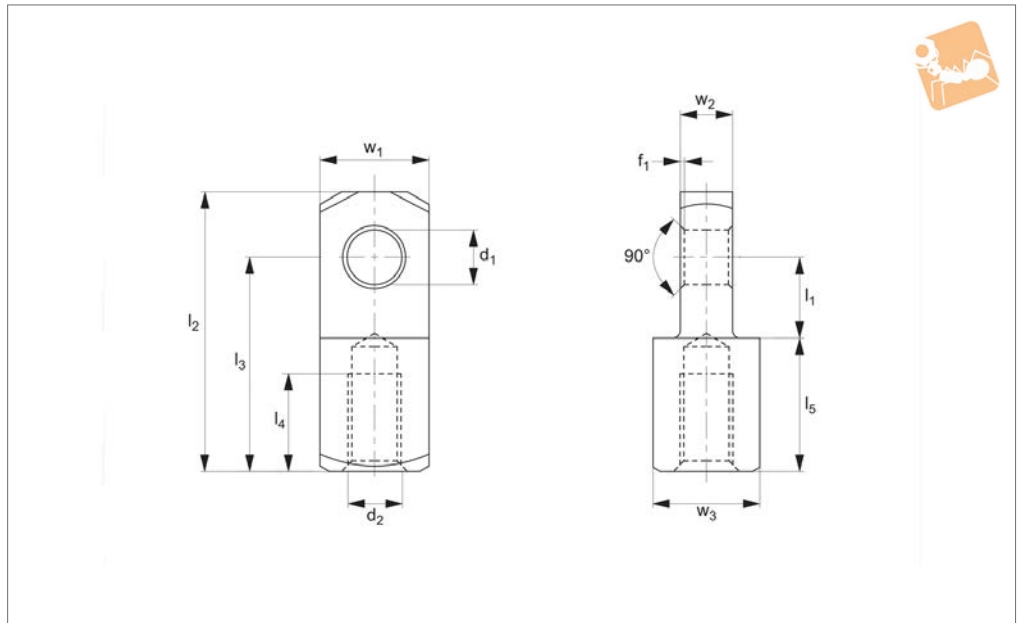
in between forks of clevis joint.

Designed so thread size matches clevis joint, (e.g. M5 mating piece will fit on M5 clevis joint).

Order No.	Thread hand	Thread type	d ₁ tol. H9	l ₁ ±0.5	d ₂	l ₂ ±0.5	l ₃ ±0.5	l ₄	l ₅ ±0.2	w ₁ tol. h11	w ₂ -0,2	w ₃ tol. h11	f ₁ ±0.2	Weight g
R3421.L004	Left	Coarse	4	6	M4	21	16	6	10.0	8	4	8	0.5	6
R3421.L005	Left	Coarse	5	7.5	M5	26	20	8	12.5	10	5	10	0.5	12
R3421.L006	Left	Coarse	6	9	M6	31	24	11	15.0	12	6	12	0.5	21
R3421.L008	Left	Coarse	8	12	M8	42	32	14	20.0	16	8	16	0.5	51
R3421.L009	Left	Fine	8	12	M8x1	42	32	14	20.0	16	8	16	0.5	51
R3421.L010	Left	Coarse	10	15	M10	52	40	18	25.0	20	10	20	0.5	98
R3421.L011	Left	Fine	10	15	M10x1,25	52	40	18	25.0	20	10	20	0.5	98
R3421.L012	Left	Coarse	12	18	M12	62	48	22	30.0	24	12	24	0.5	168
R3421.L013	Left	Fine	12	18	M12x1,25	62	48	22	30.0	24	12	24	0.5	167
R3421.L014	Left	Coarse	14	21	M14	72	56	25	35.0	27	14	27	1.0	247
R3421.L015	Left	Fine	14	21	M14x1,5	72	56	25	35.0	27	14	27	1.0	245
R3421.L016	Left	Coarse	16	24	M16	83	64	30	40.0	32	16	32	1.0	397
R3421.L017	Left	Fine	16	24	M16x1,5	83	64	30	40.0	32	16	32	1.0	395
R3421.L020	Left	Coarse	20	30	M20	105	80	38	50.0	40	20	40	1.0	783
R3421.L021	Left	Fine	20	30	M20X1,5	105	80	38	50.0	40	20	40	1.0	776



R3426



Material

Stainless steel (AISI 303 1.4305).

hand thread see R3427).

Thin end of mating piece is designed to fit in between forks of clevis joint.

clevis joint).

Tips

Standard thread is right hand, (for left

joint, (e.g. M5 mating piece will fit on M5

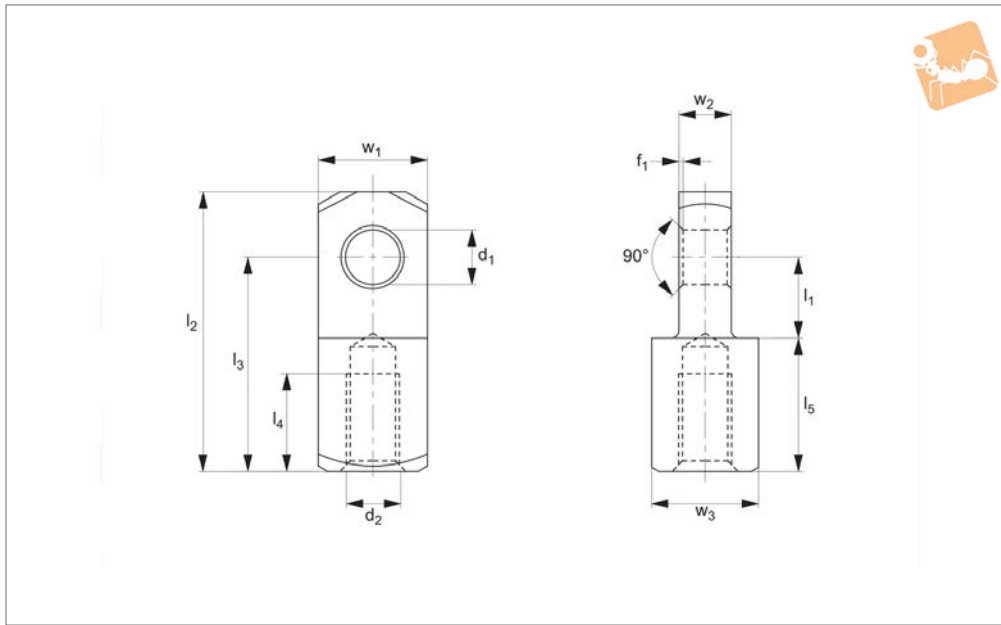
Order No.	Thread hand	Thread type	d ₁ tol. H9	l ₁ ±0.5	d ₂	l ₂ ±0.5	l ₃ ±0.5	l ₄	l ₅ ±0.2	w ₁ tol. h11	w ₂ -0,2	w ₃ tol. h11	f ₁ ±0.2	Weight g
R3426.R004	Right	Coarse	4	6	M4	21	16	6	10.0	8	4	8	0.5	6
R3426.R005	Right	Coarse	5	7.5	M5	26	20	8	12.5	10	5	10	0.5	12
R3426.R006	Right	Coarse	6	9	M6	31	24	11	15.0	12	6	12	0.5	21
R3426.R008	Right	Coarse	8	12	M8	42	32	14	20.0	16	8	16	0.5	51
R3426.R009	Right	Fine	8	12	M8x1	42	32	14	20.0	16	8	16	0.5	51
R3426.R010	Right	Coarse	10	15	M10	52	40	18	25.0	20	10	20	0.5	98
R3426.R011	Right	Fine	10	15	M10x1,25	52	40	18	25.0	20	10	20	0.5	98
R3426.R012	Right	Coarse	12	18	M12	62	48	22	30.0	24	12	24	0.5	168
R3426.R013	Right	Fine	12	18	M12x1,25	62	48	22	30.0	24	12	24	0.5	167
R3426.R014	Right	Coarse	14	21	M14	72	56	25	35.0	27	14	27	1.0	247
R3426.R015	Right	Fine	14	21	M14x1,5	72	56	25	35.0	27	14	27	1.0	245
R3426.R016	Right	Coarse	16	24	M16	83	64	30	40.0	32	16	32	1.0	397
R3426.R017	Right	Fine	16	24	M16x1,5	83	64	30	40.0	32	16	32	1.0	395
R3426.R020	Right	Coarse	20	30	M20	105	80	38	50.0	40	20	40	1.0	783
R3426.R021	Right	Fine	20	30	M20x1,5	105	80	38	50.0	40	20	40	1.0	776



Stainless Mating Piece for Clevis

left hand thread

Clevis Joints & Clips



R3427

CLEVIS JOINTS & CLIPS

Material

Stainless steel (AISI 303 1.4305).

Tips

Thin end of mating piece is designed to fit

in between forks of clevis joint.

Designed so thread size matches clevis joint, (e.g. M5 mating piece will fit on M5 clevis joint).

Order No.	Thread hand	Thread type	d ₁ tol. H9	l ₁ ±0.5	d ₂	l ₂ ±0.5	l ₃ ±0.5	l ₄	l ₅ ±0.2	w ₁ tol. h11	w ₂ -0,2	w ₃ tol. h11	f ₁ ±0.2	Weight g
R3427.L004	Left	Coarse	4	6	M4	21	16	6	10.0	8	4	8	0.5	6
R3427.L005	Left	Coarse	5	7.5	M5	26	20	8	12.5	10	5	10	0.5	12
R3427.L006	Left	Coarse	6	9	M6	31	24	11	15.0	12	6	12	0.5	21
R3427.L008	Left	Coarse	8	12	M8	42	32	14	20.0	16	8	16	0.5	51
R3427.L009	Left	Fine	8	12	M8x1	42	32	14	20.0	16	8	16	0.5	51
R3427.L010	Left	Coarse	10	15	M10	52	40	18	25.0	20	10	20	0.5	98
R3427.L011	Left	Fine	10	15	M10x1,25	52	40	18	25.0	20	10	20	0.5	98
R3427.L012	Left	Coarse	12	18	M12	62	48	22	30.0	24	12	24	0.5	168
R3427.L013	Left	Fine	12	18	M12x1,25	62	48	22	30.0	24	12	24	0.5	167
R3427.L014	Left	Coarse	14	21	M14	72	56	25	35.0	27	14	27	1.0	247
R3427.L015	Left	Fine	14	21	M14x1,5	72	56	25	35.0	27	14	27	1.0	245
R3427.L016	Left	Coarse	16	24	M16	83	64	30	40.0	32	16	32	1.0	397
R3427.L017	Left	Fine	16	24	M16x1,5	83	64	30	40.0	32	16	32	1.0	395
R3427.L020	Left	Coarse	20	30	M20	105	80	38	50.0	40	20	40	1.0	783
R3427.L021	Left	Fine	20	30	M20X1,5	105	80	38	50.0	40	20	40	1.0	776