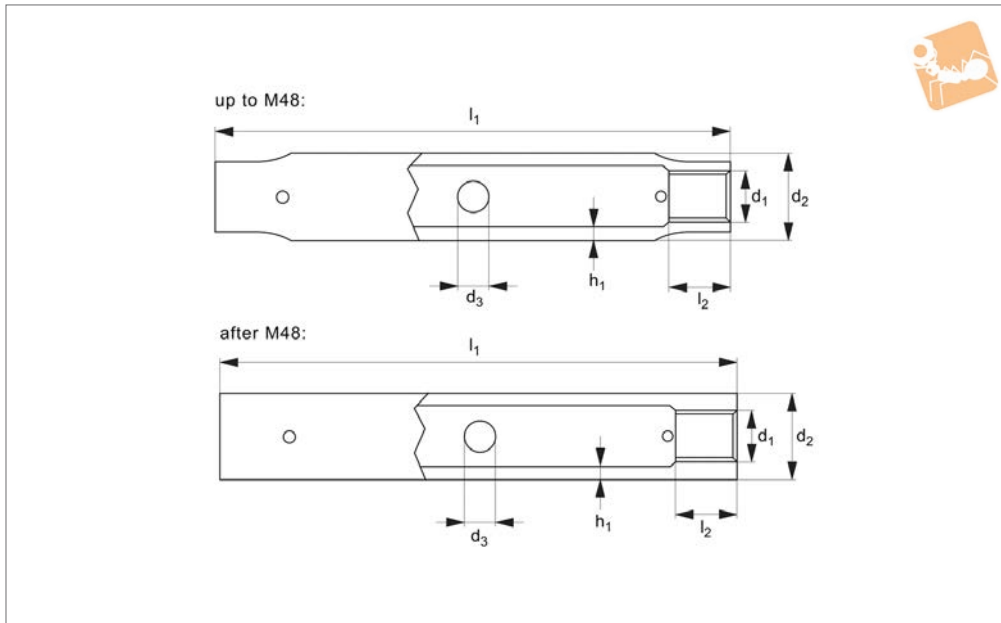
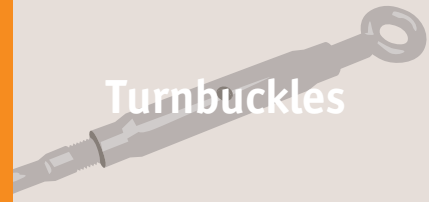


Pipe Body Turnbuckles

steel

Turnbuckles



R3800

TURNBUCKLES

Material

Steel (1.0037), zinc-plated.
Hot dip galvanized, available on request providing increased protection against corrosion. Please add -FZ for hot dip galvanized, e.g. R3800.006-FZ.

Tips

Turnbuckles consist of a metal frame with right hand thread one end and left hand thread the other end. Used for tensioning by rotating turnbuckle body without twisting attached rope or cable.

Only suitable for use in tension.

Technical Notes

To DIN 1478.

Important Notes

Turnbuckles are not to be used for lifting.

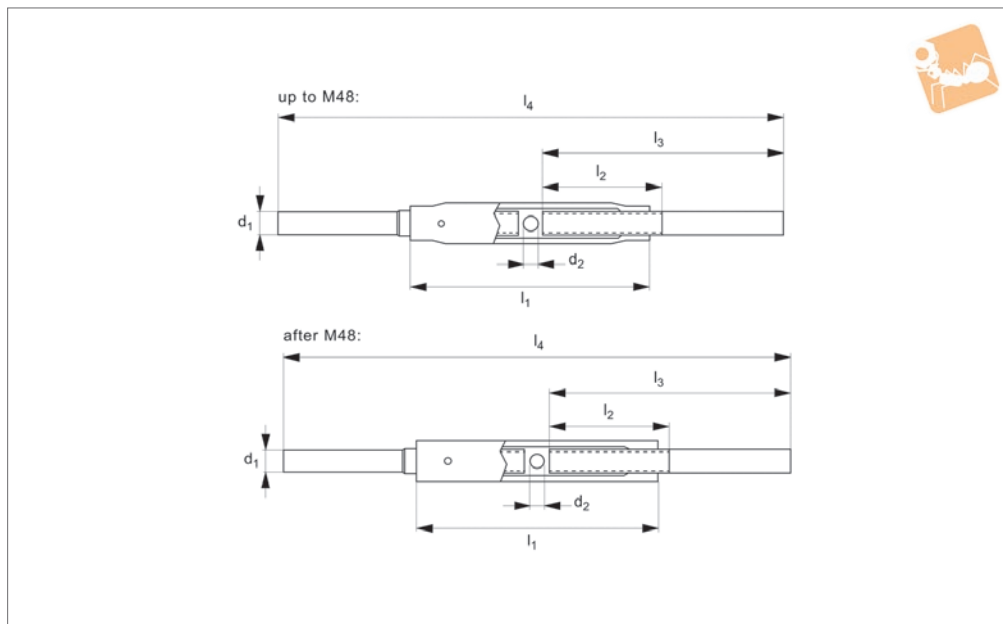
Order No.	d_1	l_1	d_2	d_3 min.	d_3 max.	h_1	l_2	Adjustment	Weight kg
R3800.006-ZP	M 6	110	17.2	5.7	6.3	2.9	7.5	90	0.13
R3800.008-ZP	M 8	110	17.2	7.5	8.5	3.6	10	85	0.13
R3800.010-ZP	M10	125	21.3	7.5	8.5	4.0	12	95	0.18
R3800.012-ZP	M12	125	25.0	9.5	10.5	4.0	15	90	0.25
R3800.016-ZP	M16	170	30.0	9.5	10.5	4.5	20	120	0.45
R3800.020-ZP	M20	200	33.7	11.5	12.5	5.0	24	140	0.56
R3800.024-ZP	M24	255	42.4	11.5	12.5	5.6	29	180	1.08
R3800.030-ZP	M30	255	51.0	15.5	16.5	6.3	36	160	1.61
R3800.036-ZP	M36	295	63.5	15.5	16.5	8.0	43	180	2.35
R3800.042-ZP	M42	330	70.0	19.5	20.5	8.8	51	200	4.30
R3800.048-ZP	M48	355	82.5	19.5	20.5	10.0	58	210	5.50
R3800.056-ZP	M56	355	90.0	24.5	25.5	15.0	68	190	9.60
R3800.064-ZP	M64	425	100	24.5	25.5	16	77	240	14.00
R3800.072-ZP	M72x6	425	110	29.5	30.5	17	87	210	17.00
R3800.080-ZP	M80x6	440	120	29.5	30.5	18	96	210	21.00



TURNBUCKLES



R3804



Material

Steel (1.0037 up to M48 then 1.0052), zinc-plated.
Hot dip galvanized, available on request providing increased protection against corrosion. Please add -FZ for hot dip galvanized, e.g. R3804.006-FZ.

Technical Notes

To DIN 1478.

Tips

Turnbuckles consist of a metal frame with right hand thread one end and left hand thread the other end. Used for tensioning

by rotating turnbuckle body without twisting attached rope or cable.

Important Notes

Turnbuckles are not to be used for lifting. Only suitable for use in tension.

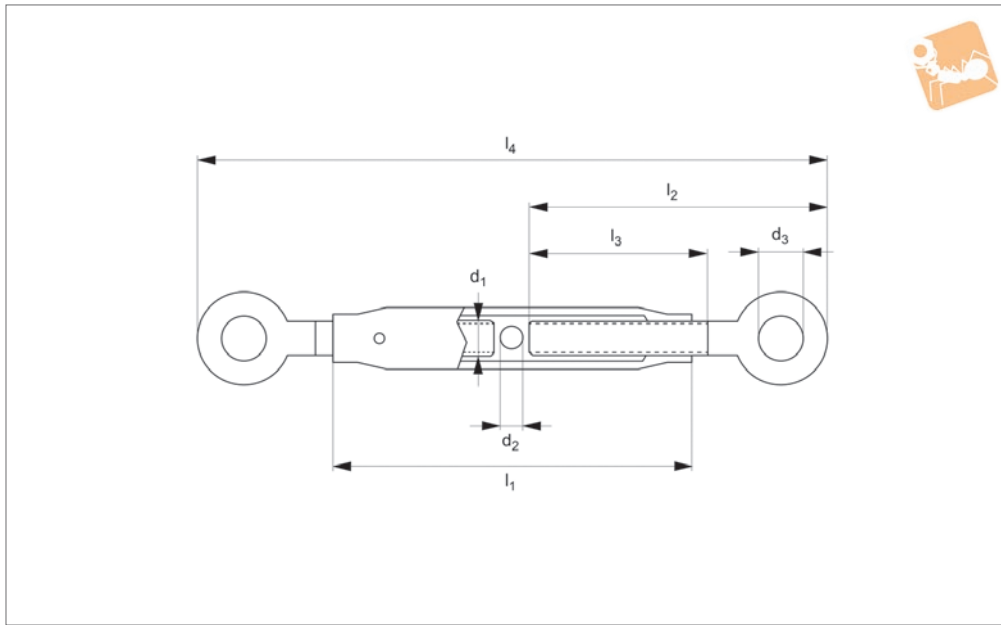
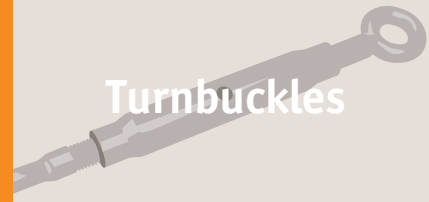
Order No.	d_1	l_1	d_2	l_2	l_3	l_4 min.	l_4 max.	Weight kg
R3804.006-ZP	M 6	110	6	60	120	246	336	0.17
R3804.008-ZP	M 8	110	8	65	120	248	333	0.20
R3804.010-ZP	M10	125	8	75	150	309	404	0.32
R3804.012-ZP	M12	125	10	75	150	311	401	0.45
R3804.016-ZP	M16	170	10	100	200	410	530	0.97
R3804.020-ZP	M20	200	12	120	220	452	592	1.48
R3804.024-ZP	M24	255	12	150	260	533	713	2.62
R3804.030-ZP	M30	255	16	160	260	537	697	4.01
R3804.036-ZP	M36	295	16	180	300	617	797	6.35
R3804.042-ZP	M42	330	20	200	350	720	920	10.50
R3804.048-ZP	M48	355	20	220	380	781	991	14.30
R3804.056-ZP	M56	355	25	230	380	785	975	21.60
R3804.064-ZP	M64	425	25	300	425	875	1015	32.40
R3804.072-ZP	M72	425	30	270	400	831	1041	42.00
R3804.080-ZP	M80	440	30	270	400	830	1040	51.00



Eye End Pipe Body Turnbuckles

steel

Turnbuckles



R3808

TURNBUCKLES

Material

Steel (1.0037), zinc-plated.
Hot dip galvanized, available on request providing increased protection against corrosion. Please add -FZ for hot dip galvanized, e.g. R3804.006-FZ.

Tips

Turnbuckles consist of a metal frame with right hand thread one end and left hand thread the other end. Used for tensioning by rotating turnbuckle body without twisting attached rope or cable.

Only suitable for use in tension.

Technical Notes

To DIN 1478.

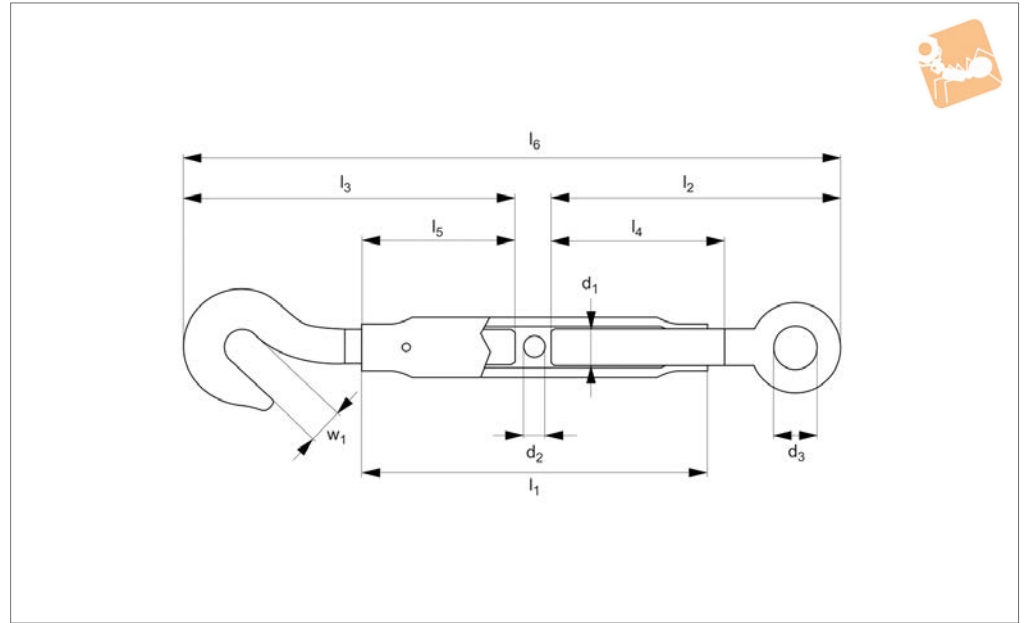
Important Notes

Turnbuckles are not to be used for lifting.

Order No.	d ₁	l ₁	d ₂	d ₃	l ₂	l ₃	l ₄ min.	l ₄ max.	Weight kg
R3808.006-ZP	M 6	110	6	10	74	50	154	244	0.16
R3808.008-ZP	M 8	110	8	11	80	52	168	253	0.18
R3808.010-ZP	M10	125	8	15	95	59	199	294	0.28
R3808.012-ZP	M12	125	10	17	107	66	225	315	0.42
R3808.016-ZP	M16	170	10	22	146	85	302	422	0.91
R3808.020-ZP	M20	200	12	24	170	100	352	492	1.36
R3808.024-ZP	M24	255	12	33	213	134	437	619	2.60
R3808.030-ZP	M30	255	16	39	255	150	527	687	3.75
R3808.036-ZP	M36	295	16	37	260	150	537	717	6.35
R3808.042-ZP	M42	330	20	48	285	165	590	790	10.50
R3808.048-ZP	M48	355	20	58	335	185	691	901	15.50



R3812



Material

Steel (1.0037 up to M48 then 1.0052), zinc-plated.
Hot dip galvanized body, available on request providing increased protection against corrosion. Please add -FZ for hot dip galvanized, e.g. R3804.006-FZ.

Technical Notes

To DIN 1478.

Tips

Turnbuckles consist of a metal frame with right hand thread one end and left hand thread the other end. Used for tensioning

by rotating turnbuckle body without twisting attached rope or cable.

Important Notes

Turnbuckles are not to be used for lifting. Only suitable for use in tension.

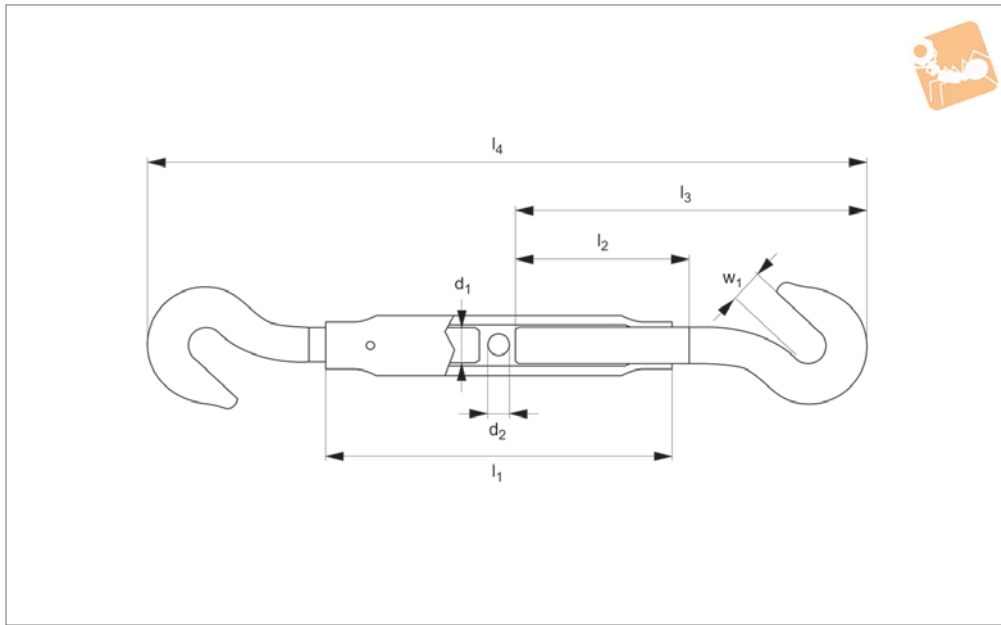
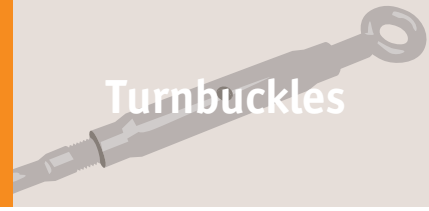
Order No.	d ₁	l ₁	d ₂	d ₃	l ₂	l ₃	l ₄	l ₅	l ₆ min.	l ₆ max.	w ₁	Weight kg
R3812.006-ZP	M 6	110	6	10	74	77.0	50	50	157	247	9.5	0.16
R3812.008-ZP	M 8	110	8	11	80	98.0	52	60	186	271	11.0	0.19
R3812.010-ZP	M10	125	8	15	95	116.5	59	73	220	315	14.0	0.29
R3812.012-ZP	M12	125	10	17	107	146.0	66	90	264	354	18.0	0.45
R3812.016-ZP	M16	170	10	22	146	165.0	85	100	321	441	19.0	0.96
R3812.020-ZP	M20	200	12	24	170	180.0	100	105	362	502	21.0	1.38
R3812.024-ZP	M24	255	12	33	213	225.0	134	135	450	630	29.0	2.73
R3812.030-ZP	M30	255	16	39	255	255.0	150	140	527	687	31.0	3.92
R3812.036-ZP	M36	295	16	37	260	300.0	150	170	577	757	35.0	6.60



Hook End Pipe Body Turnbuckles

steel

Turnbuckles



R3816

TURNBUCKLES

Material

Steel (1.0037 up to M48 then 1.0052), zinc-plated.

Hot dip galvanized body, available on request providing increased protection against corrosion. Please add -FZ for hot dip galvanized, e.g. R3804.006-FZ.

Technical Notes

To DIN 1478.

Tips

Turnbuckles consist of a metal frame with right hand thread one end and left hand thread the other end. Used for tensioning

by rotating turnbuckle body without twisting attached rope or cable.

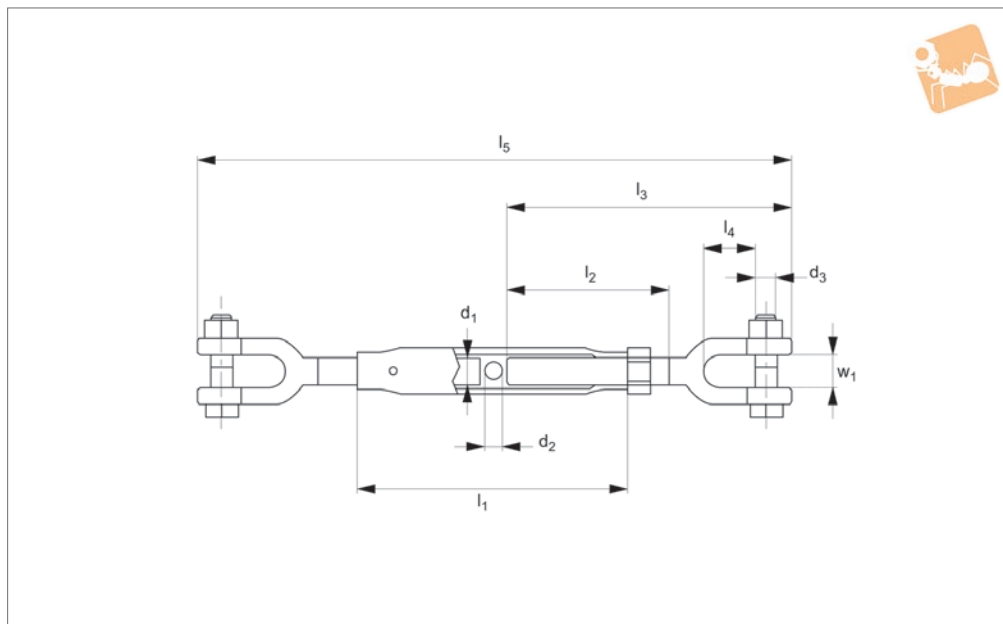
Important Notes

Turnbuckles are not to be used for lifting. Only suitable for use in tension.

Order No.	d ₁	l ₁	d ₂	l ₂	l ₃	l ₄ min.	l ₄ max.	w ₁	Weight kg
R3816.006-ZP	M 6	110	6	50	77.0	160	250	9.5	0.16
R3816.008-ZP	M 8	110	8	60	98.0	204	289	11.0	0.20
R3816.010-ZP	M10	125	8	73	116.5	241	336	14.0	0.30
R3816.012-ZP	M12	125	10	90	146.0	303	393	18.0	0.47
R3816.016-ZP	M16	170	10	100	165.0	340	460	19.0	1.01
R3816.020-ZP	M20	200	12	105	180.0	372	512	21.0	1.40
R3816.024-ZP	M24	255	12	135	225.0	463	543	29.0	2.86
R3816.030-ZP	M30	255	16	140	225.0	527	687	31.0	4.09
R3816.036-ZP	M36	295	16	170	300.0	617	697	35.0	6.85



R3820



Material

Steel body(1.0037) Jaws (1.0503), zinc-plated.

Hot dip galvanized body, available on request providing increased protection against corrosion. Please add -FZ for hot dip galvanized, e.g. R3804.006-FZ.

Technical Notes

To DIN 1478.

Tips

Turnbuckles consist of a metal frame with right hand thread one end and left hand thread the other end. Used for tensioning

by rotating turnbuckle body without twisting attached rope or cable.

Important Notes

Turnbuckles are not to be used for lifting. Only suitable for use in tension.

Order No.	d ₁	l ₁	d ₂	d ₃	l ₂	l ₃	l ₄	l ₅ min.	l ₅ max.	w ₁	Weight kg
R3820.008-ZP	M 8	110	8.5	8.5	68	125	28.75	258	343	9.0	0.30
R3820.010-ZP	M10	125	8.5	8.5	82	139	29.25	287	382	10.7	0.43
R3820.012-ZP	M12	125	10.5	10.5	90	160	44.75	331	421	15.5	0.69
R3820.016-ZP	M16	170	10.5	12.5	102	186	45.25	382	502	20.0	1.31
R3820.020-ZP	M20	200	12.5	17.0	115	205	59.5	422	562	23.5	2.02
R3820.024-ZP	M24	255	12.5	20.5	125	240	62.75	493	673	26.0	3.9
R3820.030-ZP	M30	255	16.5	25.0	150	290	89.5	613	773	34.0	7.01