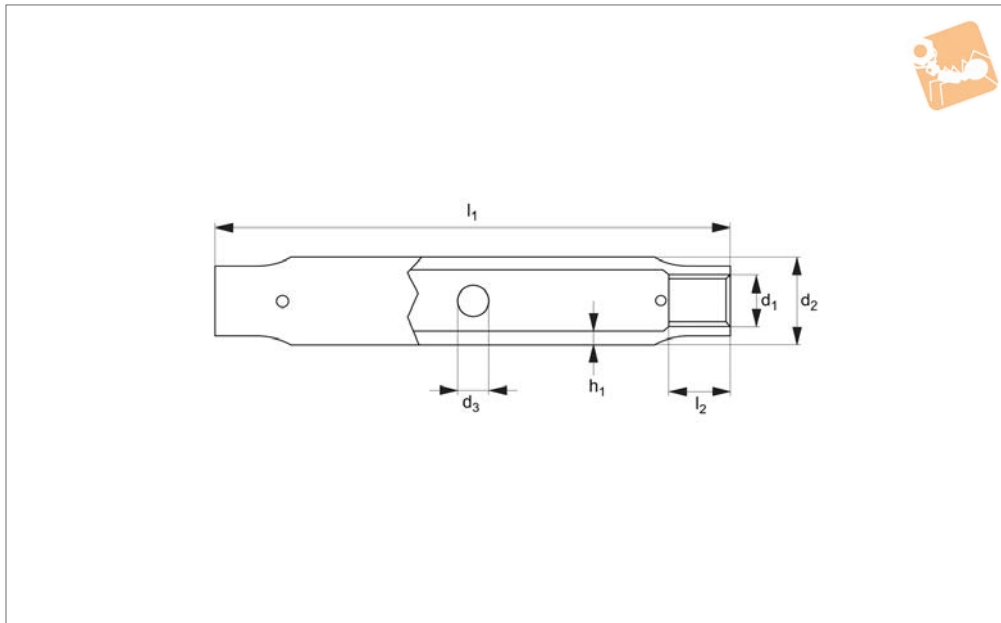
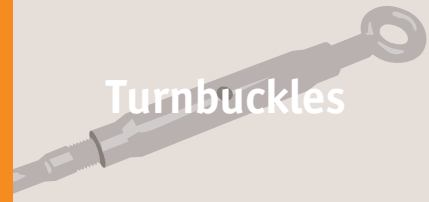


Pipe Body Turnbuckles

stainless steel

Turnbuckles



R3802

TURNBUCKLES

Material

Stainless steel (A4)

Technical Notes

To DIN 1478.

Tips

Turnbuckles consist of a metal frame with

right hand thread one end and left hand thread the other end. Used for tensioning by rotating turnbuckle body without twisting attached rope or cable.

Only suitable for use in tension.

Important Notes

Turnbuckles are not to be used for lifting.

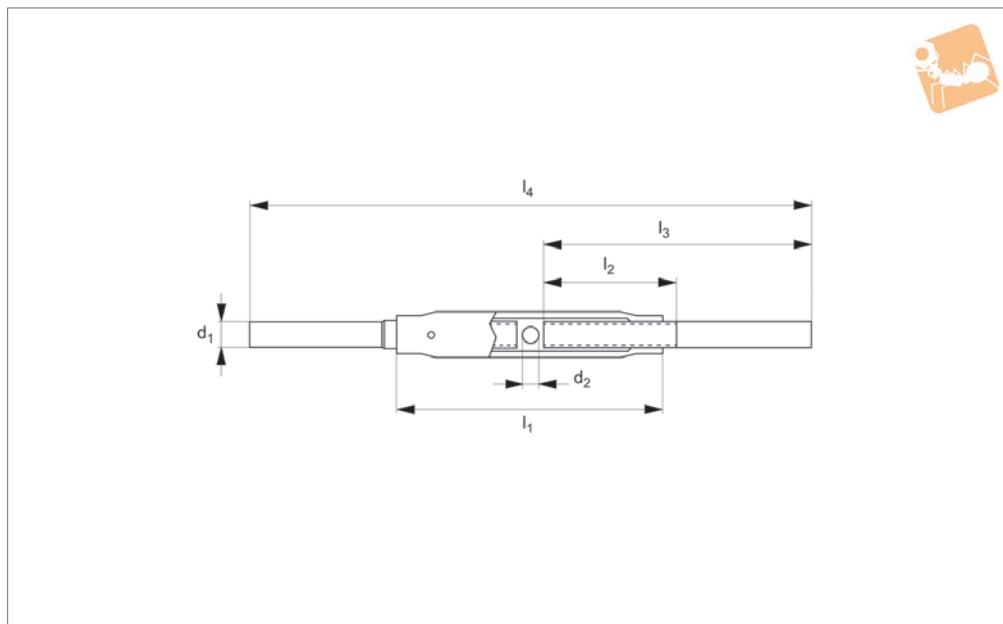
Order No.	d ₁	d ₂	d ₃ min.	d ₃ max.	h ₁	l ₁	l ₂	Adjustment	Weight kg
R3802.006-A4	M 6	17.2	5.7	6.3	2.9	110	7.5	90	0.13
R3802.008-A4	M 8	17.2	7.5	8.5	3.6	110	10	85	0.13
R3802.010-A4	M10	21.3	7.5	8.5	4.0	125	12	95	0.18
R3802.012-A4	M12	25.0	9.5	10.5	4.0	125	15	90	0.25
R3802.016-A4	M16	30.0	9.5	10.5	4.5	170	20	120	0.45
R3802.020-A4	M20	33.7	11.5	12.5	5.0	200	24	140	0.56
R3802.024-A4	M24	42.4	11.5	12.5	5.6	255	29	180	1.08
R3802.030-A4	M30	51.0	15.5	16.5	6.3	255	36	160	1.61
R3802.036-A4	M36	63.5	15.5	16.5	8.0	295	43	180	2.35



TURNBUCKLES



R3806



Material
Stainless steel (A4)

Technical Notes
To DIN 1478.

Tips
Turnbuckles consist of a metal frame with

right hand thread one end and left hand thread the other end. Used for tensioning by rotating turnbuckle body without twisting attached rope or cable.

Only suitable for use in tension.

Important Notes
Turnbuckles are not to be used for lifting.

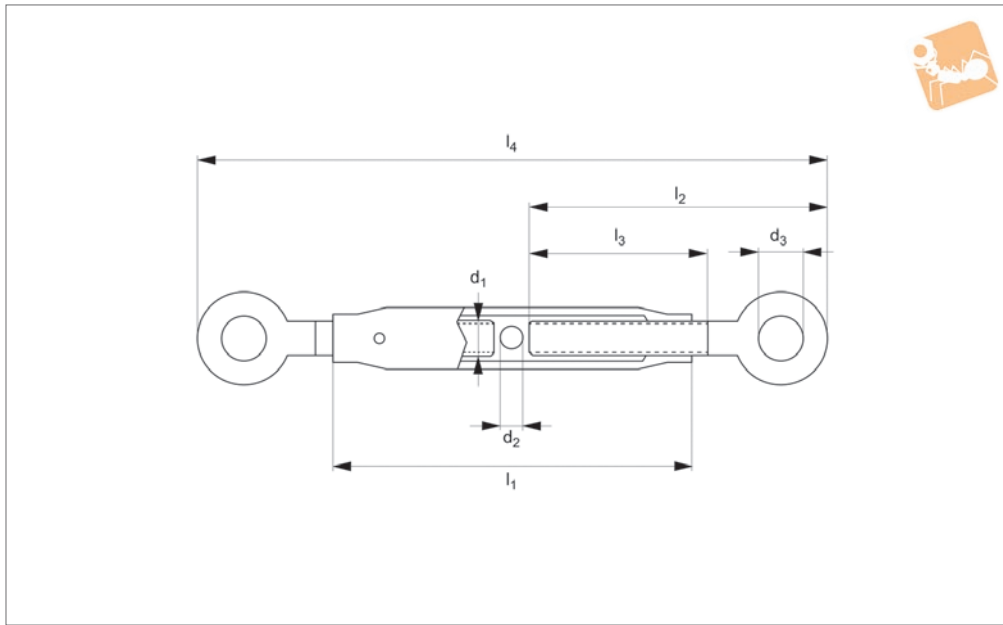
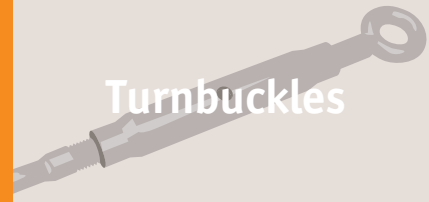
Order No.	d ₁	d ₂	l ₁	l ₂	l ₃	l ₄ min.	l ₄ max.	Weight kg
R3806.006-A4	M 6	6	110	60	120	246	336	0.17
R3806.008-A4	M 8	8	110	65	120	248	333	0.20
R3806.010-A4	M10	8	125	75	150	309	404	0.32
R3806.012-A4	M12	10	125	75	150	311	401	0.45
R3806.016-A4	M16	10	170	100	200	410	530	0.97
R3806.020-A4	M20	12	200	120	220	452	592	1.48
R3806.024-A4	M24	12	255	150	260	533	713	2.62
R3806.030-A4	M30	16	255	160	260	537	697	4.01
R3806.036-A4	M36	16	295	180	300	617	797	6.35



Eye End Pipe Body Turnbuckles

stainless steel

Turnbuckles



R3810

TURNBUCKLES

Material

Stainless steel (A4)

Technical Notes

To DIN 1478.

Tips

Turnbuckles consist of a metal frame with

right hand thread one end and left hand thread the other end. Used for tensioning by rotating turnbuckle body without twisting attached rope or cable.

Only suitable for use in tension.

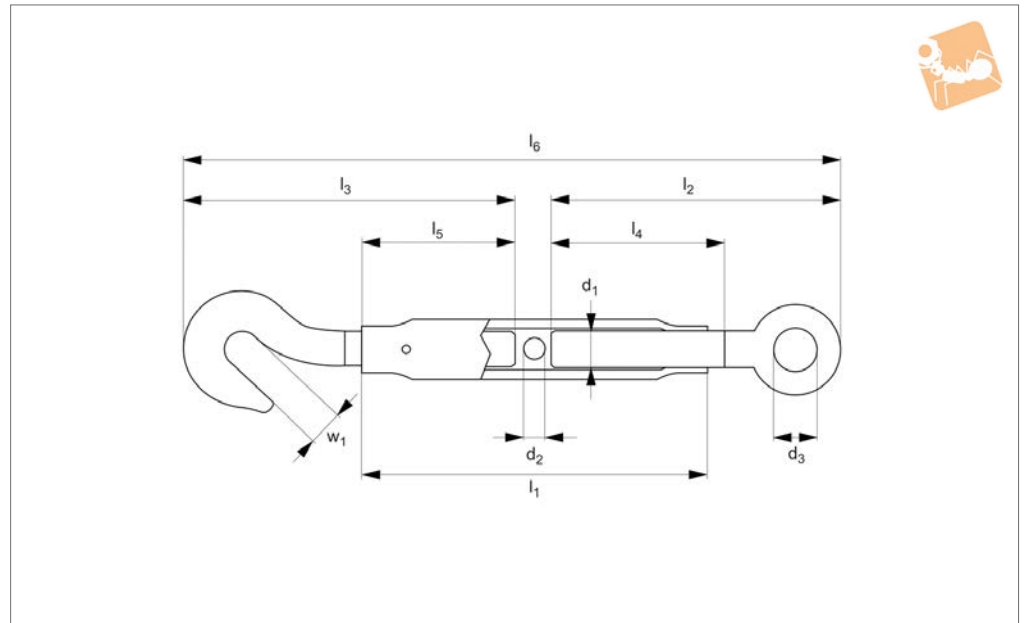
Important Notes

Turnbuckles are not to be used for lifting.

Order No.	d_1	d_2	d_3	l_1	l_2	l_3	l_4 min.	l_4 max.	Weight kg
R3810.006-A4	M 6	6	10	110	74	50	154	244	0.16
R3810.008-A4	M 8	8	11	110	80	52	168	253	0.18
R3810.010-A4	M10	8	15	125	95	59	199	294	0.28
R3810.012-A4	M12	10	17	125	107	66	225	315	0.42
R3810.016-A4	M16	10	22	170	146	85	302	422	0.91
R3810.020-A4	M20	12	24	200	170	100	352	492	1.36



R3814



Material
Stainless steel (A4)

Technical Notes
To DIN 1478.

Tips
Turnbuckles consist of a metal frame with

right hand thread one end and left hand thread the other end. Used for tensioning by rotating turnbuckle body without twisting attached rope or cable.

Only suitable for use in tension.

Important Notes
Turnbuckles are not to be used for lifting.

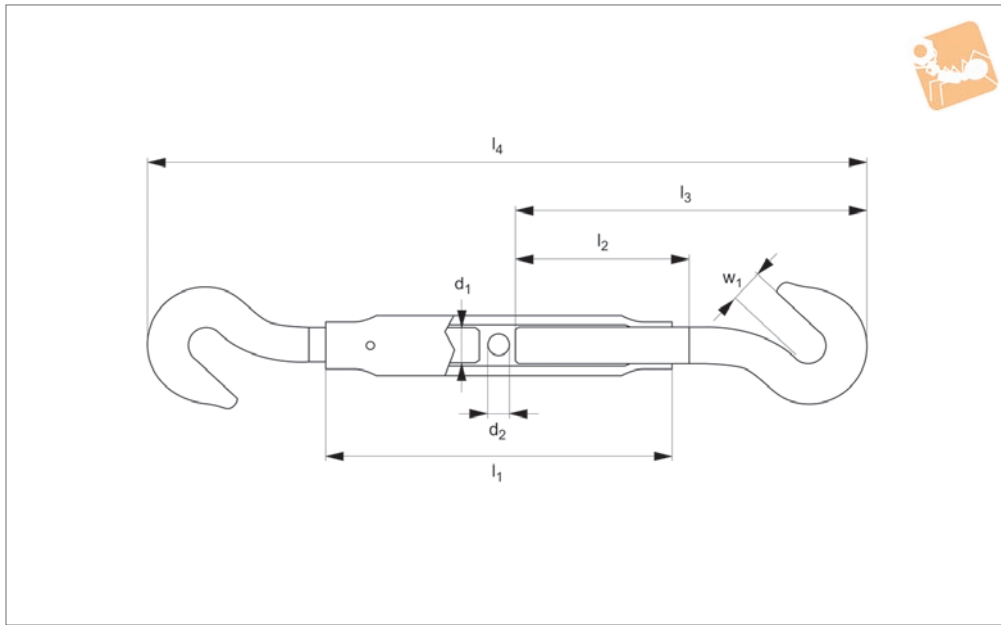
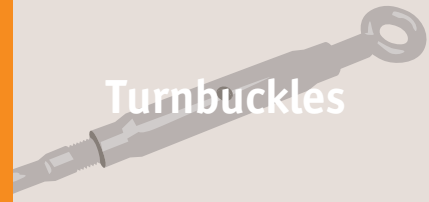
Order No.	d ₁	d ₂	d ₃	l ₁	l ₂	l ₃	l ₄	l ₅	l ₆ min.	l ₆ max.	w ₁	Weight kg
R3814.006-A4	M 6	6	10	110	74	77.0	50	50	157	247	9.5	0.16
R3814.008-A4	M 8	8	11	110	80	98.0	52	60	186	271	11.0	0.19
R3814.010-A4	M10	8	15	125	95	116.5	59	73	220	315	14.0	0.29
R3814.012-A4	M12	10	17	125	107	146.0	66	90	264	354	18.0	0.45
R3814.016-A4	M16	10	22	170	146	165.0	85	100	321	441	19.0	0.96



Hook End Pipe Body Turnbuckles

stainless steel

Turnbuckles



R3818

TURNBUCKLES

Material

Stainless steel (A4)

Technical Notes

To DIN 1478.

Tips

Turnbuckles consist of a metal frame with

right hand thread one end and left hand thread the other end. Used for tensioning by rotating turnbuckle body without twisting attached rope or cable.

Only suitable for use in tension.

Important Notes

Turnbuckles are not to be used for lifting.

Order No.	d ₁	d ₂	l ₁	l ₂	l ₃	l ₄ min.	l ₄ max.	w ₁	Weight kg
R3818.006-A4	M 6	6	110	50	77.0	160	250	9.5	0.16
R3818.008-A4	M 8	8	110	60	98.0	204	289	11.0	0.20
R3818.010-A4	M10	8	125	73	116.5	241	336	14.0	0.30
R3818.012-A4	M12	10	125	90	146.0	303	393	18.0	0.47
R3818.016-A4	M16	10	170	100	165.0	340	460	19.0	1.01