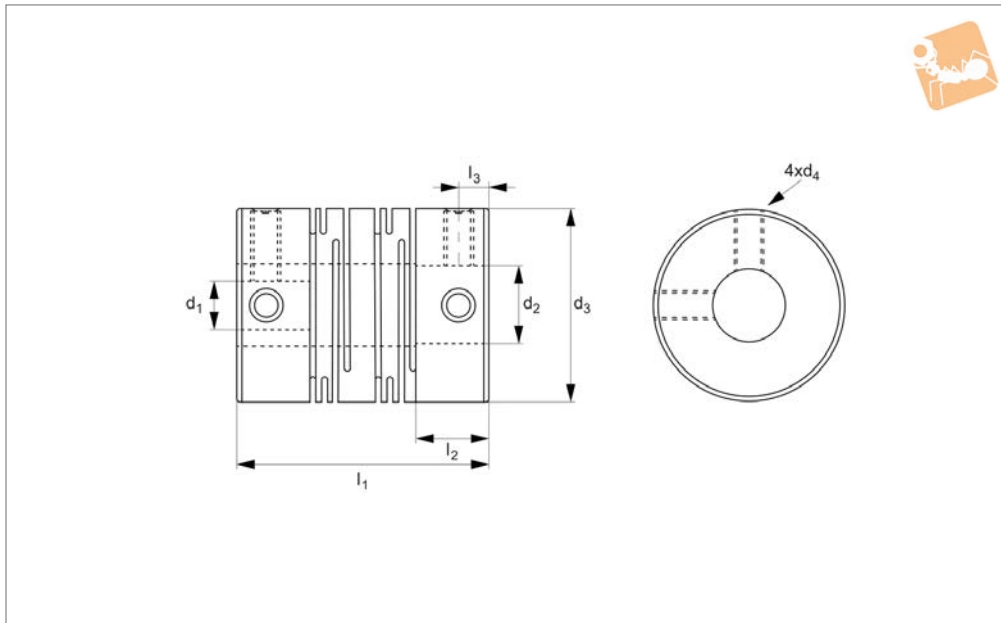
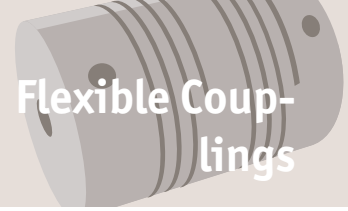




Beamed Coupling - six beam stainless steel, set screw type

Flexible Couplings



R3003

FLEXIBLE COUPLINGS

Material

Stainless steel 1.4435 (AISI 316L)

Technical Notes

One piece construction, no mechanical joints.

No backlash.

Constant velocity.

Torsionally rigid.

High flexibility.

Temperature range -40°C to +120°C.

Central relief diameter may be smaller than

bore in some cases.

Max Torque:

Select the size where max.torque exceeds the application target service factor.

Service Factors:

Shock + reversing = 2

Non reversing = 1,5

Steady load = 1

Max. rpm = 5,000

Torsional stiffness:

based on - bore diameter of minimum D_2 for size at load of (max torque/2).

Tips

Suitable for:

encoders, stepper motors, precision ball screws, robotics, scientific equipment, measuring systems, medical systems, pumps, servo systems etc.

Order No.	d ₁	d ₂	d ₃	d ₄	l ₁	l ₂	n	Ang. offset	Par. offset mm	Torque Nm max.	Tors. stiffness Nm/rad	Weight g
R3003.A02-03	1.9	3	9.5	M2,5	22.9	2	5.3	3°	0.12	1	4	8
R3003.A02-04	1.9	4	9.5	M2,5	22.9	2	5.3	3°	0.12	1	4	8
R3003.A03-03	1.9	3	9.5	M2,5	22.9	3	5.3	3°	0.12	1	4	8
R3003.A03-04	1.9	3	9.5	M2,5	22.9	3	5.3	3°	0.12	1	4	8
R3003.A04-04	1.9	3	9.5	M2,5	22.9	3	5.3	3°	0.12	1	4	8
R3003.B03-04	2.8	4	12.7	M3	25.4	3	6.5	5°	0.17	3	20	18
R3003.B03-05	2.8	5	12.7	M3	25.4	3	6.5	5°	0.17	3	20	18
R3003.B03-06	2.8	6	12.7	M3	25.4	3	6.5	5°	0.17	3	20	18
R3003.B04-04	2.8	4	12.7	M3	25.4	4	6.5	5°	0.17	3	20	18
R3003.B04-05	2.8	5	12.7	M3	25.4	4	6.5	5°	0.17	3	20	18
R3003.B04-06	2.8	6	12.7	M3	25.4	4	6.5	5°	0.17	3	20	18
R3003.B05-05	2.8	5	12.7	M3	25.4	5	6.5	5°	0.17	3	20	18
R3003.B05-06	2.8	6	12.7	M3	25.4	5	6.5	5°	0.17	3	20	18
R3003.B06-06	2.8	6	12.7	M3	25.4	6	6.5	5°	0.17	3	20	18
R3003.C03-06	2.8	6	15.9	M4	25.4	3	6.5	5°	0.20	5	36	24
R3003.C03-08	2.8	8	15.9	M4	25.4	3	6.5	5°	0.20	5	36	24
R3003.C04-05	2.8	5	15.9	M4	25.4	4	6.5	5°	0.20	5	36	24
R3003.C04-06	2.8	6	15.9	M4	25.4	4	6.5	5°	0.20	5	36	24
R3003.C04-08	2.8	8	15.9	M4	25.4	4	6.5	5°	0.20	5	36	24
R3003.C05-05	2.8	5	15.9	M4	25.4	5	6.5	5°	0.20	5	36	24
R3003.C05-06	2.8	6	15.9	M4	25.4	5	6.5	5°	0.20	5	36	24
R3003.C05-08	2.8	8	15.9	M4	25.4	5	6.5	5°	0.20	5	36	24
R3003.C06-06	2.8	6	15.9	M4	25.4	6	6.5	5°	0.20	5	36	24
R3003.C06-08	2.8	8	15.9	M4	25.4	6	6.5	5°	0.20	5	36	24

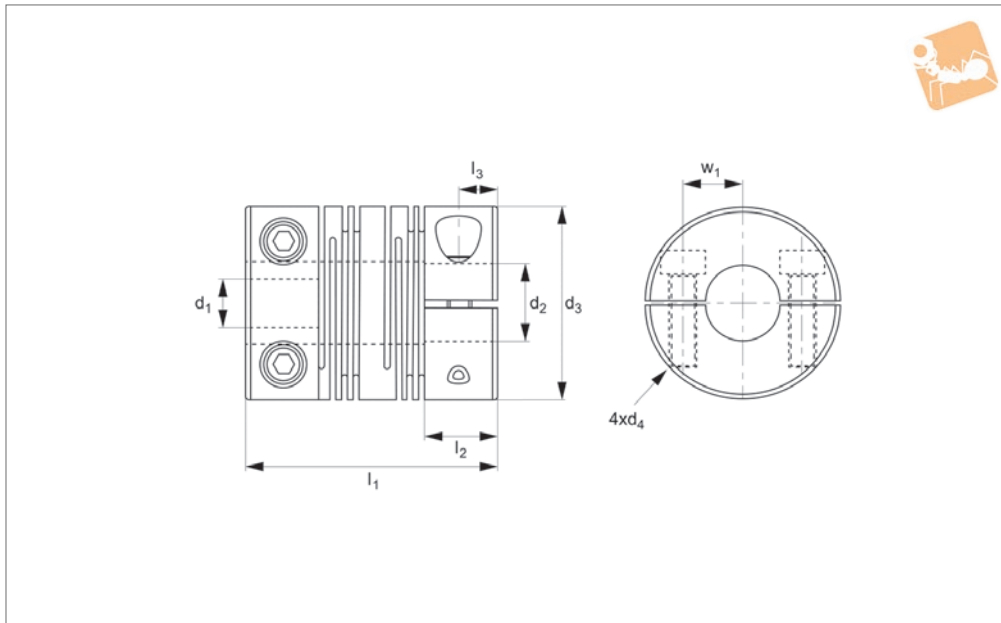
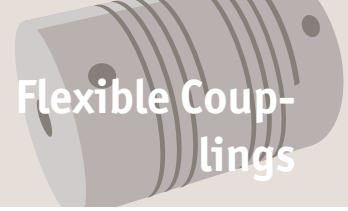


Order No.	d ₁	d ₂	d ₃	d ₄	l ₁	l ₂	n	Ang. offset	Par. offset mm	Torque Nm max.	Tors. stiffness Nm/rad	Weight g
R3003.C08-08	2.8	8	15.9	M4	25.4	8	6.5	5°	0.20	5	36	24
R3003.D05-06	4.4	6	19.1	M4	28.0	5	6.5	7°	0.25	8	112	46
R3003.D05-08	4.4	8	19.1	M4	28.0	5	6.5	7°	0.25	8	112	46
R3003.D05-10	4.4	10	19.1	M4	28.0	5	6.5	7°	0.25	8	112	46
R3003.D06-06	4.4	6	19.1	M4	28.0	6	6.5	7°	0.25	8	112	46
R3003.D06-08	4.4	8	19.1	M4	28.0	6	6.5	7°	0.25	8	112	46
R3003.D06-10	4.4	10	19.1	M4	28.0	6	6.5	7°	0.25	8	112	46
R3003.D08-08	4.4	8	19.1	M4	28.0	8	6.5	7°	0.25	8	112	46
R3003.D08-10	4.4	8	19.1	M4	28.0	8	6.5	7°	0.25	8	112	46
R3003.D10-10	4.4	10	19.1	M4	28.0	10	6.5	7°	0.25	8	112	46
R3003.E06-08	5.8	8	25.4	M5	38.1	6	11	7°	0.37	16	158	120
R3003.E06-10	5.8	10	25.4	M5	38.1	6	11	7°	0.37	16	158	120
R3003.E06-12	5.8	12	25.4	M5	38.1	6	11	7°	0.37	16	158	120
R3003.E08-08	5.8	8	25.4	M5	38.1	8	11	7°	0.37	16	158	120
R3003.E08-10	5.8	10	25.4	M5	38.1	8	11	7°	0.37	16	158	120
R3003.E08-12	5.8	12	25.4	M5	38.1	8	11	7°	0.37	16	158	120
R3003.E10-10	5.8	10	25.4	M5	38.1	10	11	7°	0.37	16	158	120
R3003.E10-12	5.8	12	25.4	M5	38.1	10	11	7°	0.37	16	158	120
R3003.E12-12	5.8	12	25.4	M5	38.1	12	11	7°	0.37	16	158	120



Beamed Coupling - six beam aluminium - clamp type

Flexible Couplings



R3004

FLEXIBLE COUPLINGS

Material

Anodized aluminium (DIN 1725), black.

Technical Notes

One piece construction, no mechanical joints.

No backlash.

Constant velocity.

Torsionally rigid.

High flexibility.

Temperature range -40°C to +120°C.

Central relief diameter may be smaller than

bore in some cases.

Max Torque:

Select the size where max.torque exceeds the application target service factor.

Service Factors:

Shock + reversing = 2

Non reversing = 1,5

Steady load = 1

Max. rpm = 5,000

Torsional stiffness:

based on - bore diameter of minimum D_2 for size at load of (max torque/2).

Tips

Suitable for:

encoders, stepper motors, precision ball screws, robotics, scientific equipment, measuring systems, medical systems, pumps, servo systems etc.

Order No.	d ₁	d ₂	d ₃	d ₄	l ₁	l ₂	Ang. offset	Par. offset mm	Torque Nm max.	Tors. stiffness Nm/rad	Weight g
R3004.A02-03	2	3	9.5	M1,6	19.6	5.3	3°	0.12	1	2	3
R3004.A02-04	2	4	9.5	M1,6	19.6	5.3	3°	0.12	1	2	3
R3004.A03-03	2	4	9.5	M1,6	19.6	5.3	3°	0.12	1	2	3
R3004.A03-04	3	4	9.5	M1,6	19.6	5.3	3°	0.12	1	2	3
R3004.A04-04	4	4	9.5	M1,6	19.6	5.3	3°	0.12	1	2	3
R3004.B03-04	3	4	12.7	M2,0	22.9	6.5	5°	0.17	2	14	7
R3004.B03-05	3	5	12.7	M2,0	22.9	6.5	5°	0.17	2	14	7
R3004.B03-06	3	6	12.7	M2,0	22.9	6.5	5°	0.17	2	14	7
R3004.B04-04	4	4	12.7	M2,0	22.9	6.5	5°	0.17	2	14	7
R3004.B04-05	4	5	12.7	M2,0	22.9	6.5	5°	0.17	2	14	7
R3004.B04-06	4	6	12.7	M2,0	22.9	6.5	5°	0.17	2	14	7
R3004.B05-05	5	6	12.7	M2,0	22.9	6.5	5°	0.17	2	14	7
R3004.B05-06	5	6	12.7	M2,0	22.9	6.5	5°	0.17	2	14	7
R3004.B06-06	6	6	12.7	M2,0	22.9	6.5	5°	0.17	2	14	7
R3004.C03-05	3	5	15.9	M2,5	25.4	6.5	5°	0.2	3.4	33	9
R3004.C03-06	3	6	15.9	M2,5	25.4	6.5	5°	0.2	3.4	33	9
R3004.C03-08	3	8	15.9	M2,5	25.4	6.5	5°	0.2	3.4	33	9
R3004.C04-05	4	5	15.9	M2,5	25.4	6.5	5°	0.2	3.4	33	9
R3004.C04-06	4	6	15.9	M2,5	25.4	6.5	5°	0.2	3.4	33	9
R3004.C04-08	4.8	8	15.9	M2,5	25.4	6.5	5°	0.2	3.4	33	9
R3004.C05-05	5	5	15.9	M2,5	25.4	6.5	5°	0.2	3.4	33	9
R3004.C05-06	5	6	15.9	M2,5	25.4	6.5	5°	0.2	3.4	33	9
R3004.C05-08	5	8	15.9	M2,5	25.4	6.5	5°	0.2	3.4	33	9
R3004.C06-06	6	6	15.9	M2,5	25.4	6.5	5°	0.2	3.4	33	9

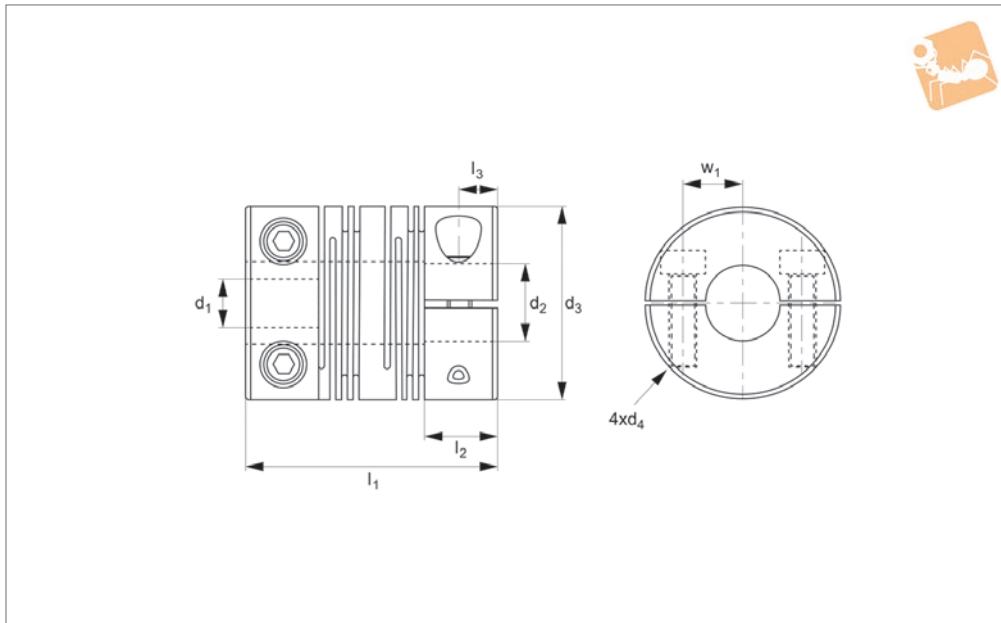
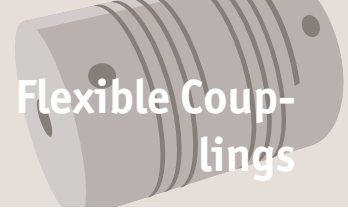


Order No.	d ₁	d ₂	d ₃	d ₄	l ₁	l ₂	Ang. offset	Par. offset mm	Torque Nm max.	Tors. stiffness Nm/rad	Weight g
R3004.C06-08	6	8	15.9	M2,5	25.4	6.5	5°	0.2	3.4	33	9
R3004.C08-08	8	8	15.9	M2,5	25.4	6.5	5°	0.2	3.4	33	9
R3004.D05-06	5	6	19.1	M2,5	26.5	6.5	7°	0.25	5.3	57	18
R3004.D05-08	5	8	19.1	M2,5	26.5	6.5	7°	0.25	5.3	57	18
R3004.D05-10	5	10	19.1	M2,5	26.5	6.5	7°	0.25	5.3	57	18
R3004.D06-06	6	6	19.1	M2,5	26.5	6.5	7°	0.25	5.3	57	18
R3004.D06-08	6	8	19.1	M2,5	26.5	6.5	7°	0.25	5.3	57	18
R3004.D06-10	6	10	19.1	M2,5	26.5	6.5	7°	0.25	5.3	57	18
R3004.D08-08	8	8	19.1	M2,5	26.5	6.5	7°	0.25	5.3	57	18
R3004.D08-10	8	10	19.1	M2,5	26.5	6.5	7°	0.25	5.3	57	18
R3004.D10-10	10	10	19.1	M2,5	26.5	6.5	7°	0.25	5.3	57	18
R3004.E06-08	6	8	25.4	M3,0	38.1	11	7°	0.37	10	80	45
R3004.E06-10	6	10	25.4	M3,0	38.1	11	7°	0.37	10	80	45
R3004.E06-12	6	12	25.4	M3,0	38.1	11	7°	0.37	10	80	45
R3004.E08-08	8	8	25.4	M3,0	38.1	11	7°	0.37	10	80	45
R3004.E08-10	8	10	25.4	M3,0	38.1	11	7°	0.37	10	80	45
R3004.E08-12	8	12	25.4	M3,0	38.1	11	7°	0.37	10	80	45
R3004.E10-10	10	10	25.4	M3,0	38.1	11	7°	0.37	10	80	45
R3004.E10-12	10	12	25.4	M3,0	38.1	11	7°	0.37	10	80	45
R3004.E12-12	12	12	25.4	M3,0	38.1	11	7°	0.37	10	80	45



Beamed Coupling - six beam stainless steel, clamp type

Flexible Couplings



R3005

FLEXIBLE COUPLINGS

Material

Stainless steel 1.4435 (AISI 316L)

Technical Notes

One piece construction, no mechanical joints.

No backlash.

Constant velocity.

Torsionally rigid.

High flexibility.

Temperature range -40°C to +120°C.

Central relief diameter may be smaller than

bore in some cases.

Max Torque:

Select the size where max.torque exceeds the application target service factor.

Service Factors:

Shock + reversing = 2

Non reversing = 1,5

Steady load = 1

Max. rpm = 5,000

Torsional stiffness:

based on - bore diameter of minimum D_2 for size at load of (max torque/2).

Tips

Suitable for:

encoders, stepper motors, precision ball screws, robotics, scientific equipment, measuring systems, medical systems, pumps, servo systems etc.

Order No.	d ₁	d ₂	d ₃	d ₄	l ₁	l ₂	n	Ang. offset	Par. offset mm	Torque Nm max.	Tors. stiffness Nm/rad	Weight g
R3005.B03-04	2.8	3	12.7	M2,0	25.4	4	6.5	5°	0.17	3	20	18
R3005.B03-05	2.8	3	12.7	M2,0	25.4	5	6.5	5°	0.17	3	20	18
R3005.B03-06	2.8	3	12.7	M2,0	25.4	6	6.5	5°	0.17	3	20	18
R3005.B04-04	2.8	4	12.7	M2,0	25.4	4	6.5	5°	0.17	3	20	18
R3005.B04-05	2.8	4	12.7	M2,0	25.4	5	6.5	5°	0.17	3	20	18
R3005.B04-06	2.8	4	12.7	M2,0	25.4	6	6.5	5°	0.17	3	20	18
R3005.B05-05	2.8	5	12.7	M2,0	25.4	5	6.5	5°	0.17	3	20	18
R3005.B05-06	2.8	5	12.7	M2,0	25.4	6	6.5	5°	0.17	3	20	18
R3005.B06-06	2.8	6	12.7	M2,0	25.4	6	6.5	5°	0.17	3	20	18
R3005.C03-06	2.8	3	15.9	M2,5	25.4	6	6.5	5°	0.20	5	36	24
R3005.C03-08	2.8	3	15.9	M2,5	25.4	8	6.5	5°	0.20	5	36	24
R3005.C04-05	2.8	4	15.9	M2,5	25.4	5	6.5	5°	0.20	5	36	24
R3005.C04-06	2.8	4	15.9	M2,5	25.4	6	6.5	5°	0.20	5	36	24
R3005.C04-08	2.8	4	15.9	M2,5	25.4	8	6.5	5°	0.20	5	36	24
R3005.C05-05	2.8	5	15.9	M2,5	25.4	5	6.5	5°	0.20	5	36	24
R3005.C05-06	2.8	5	15.9	M2,5	25.4	6	6.5	5°	0.20	5	36	24
R3005.C05-08	2.8	5	15.9	M2,5	25.4	8	6.5	5°	0.20	5	36	24
R3005.C06-06	2.8	6	15.9	M2,5	25.4	6	6.5	5°	0.20	5	36	24
R3005.C06-08	2.8	6	15.9	M2,5	25.4	8	6.5	5°	0.20	5	36	24
R3005.C08-08	2.8	8	15.9	M2,5	25.4	8	6.5	5°	0.20	5	36	24
R3005.D05-06	4.4	5	19.1	M2,5	28	6	6.5	7°	0.25	8	112	46
R3005.D05-08	4.4	5	19.1	M2,5	28	8	6.5	7°	0.25	8	112	46
R3005.D05-10	4.4	5	19.1	M2,5	28	10	6.5	7°	0.25	8	112	46
R3005.D06-06	4.4	6	19.1	M2,5	28	6	6.5	7°	0.25	8	112	46

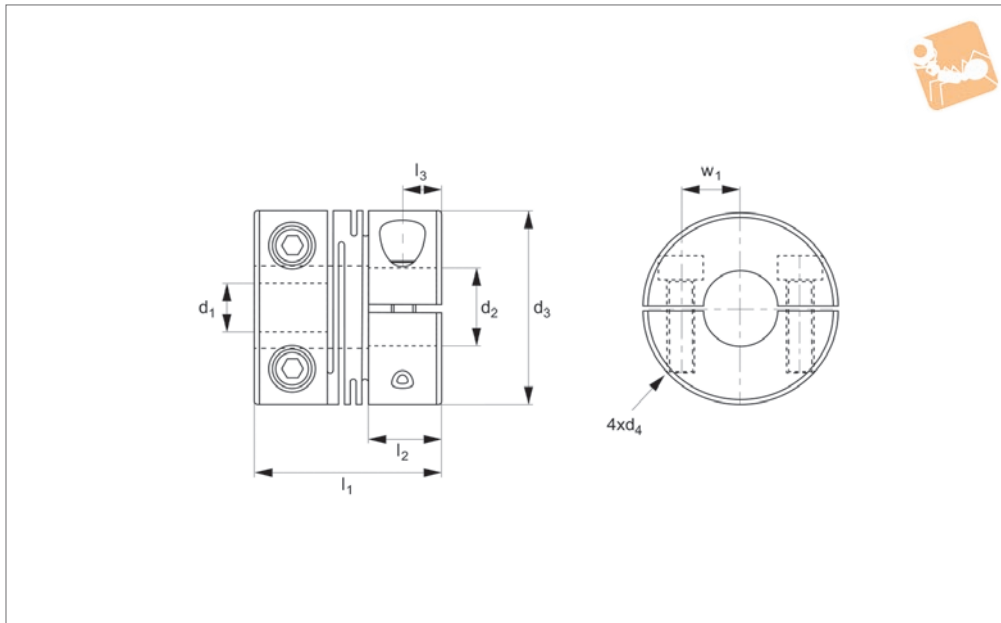
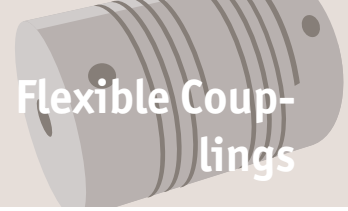


Order No.	d ₁	d ₂	d ₃	d ₄	l ₁	l ₂	n	Ang. offset	Par. offset mm	Torque Nm max.	Tors. stiffness Nm/rad	Weight g
R3005.D06-08	4.4	6	19.1	M2,5	28	8	6.5	7°	0.25	8	112	46
R3005.D06-10	4.4	6	19.1	M2,5	28	10	6.5	7°	0.25	8	112	46
R3005.D08-08	4.4	8	19.1	M2,5	28	8	6.5	7°	0.25	8	112	46
R3005.D08-10	4.4	8	19.1	M2,5	28	10	6.5	7°	0.25	8	112	46
R3005.D10-10	4.4	10	19.1	M2,5	28	10	6.5	7°	0.25	8	112	46
R3005.E06-08	5.8	6	25.4	M3,0	38.1	8	11	7°	0.37	16	158	120
R3005.E06-10	5.8	6	25.4	M3,0	38.1	10	11	7°	0.37	16	158	120
R3005.E06-12	5.8	6	25.4	M3,0	38.1	12	11	7°	0.37	16	158	120
R3005.E08-08	5.8	8	25.4	M3,0	38.1	8	11	7°	0.37	16	158	120
R3005.E08-10	5.8	8	25.4	M3,0	38.1	10	11	7°	0.37	16	158	120
R3005.E08-12	5.8	8	25.4	M3,0	38.1	12	11	7°	0.37	16	158	120
R3005.E10-10	5.8	10	25.4	M3,0	38.1	10	11	7°	0.37	16	158	120
R3005.E10-12	5.8	10	25.4	M3,0	38.1	12	11	7°	0.37	16	158	120
R3005.E12-12	5.8	12	25.4	M3,0	38.1	12	11	7°	0.37	16	158	120



Beamed Coupling - three beam aluminium, set screw type

Flexible Couplings



R3006

FLEXIBLE COUPLINGS

Material

Anodized aluminium (DIN 1725), black.

Technical Notes

One piece construction, no mechanical joints.

No backlash.

Constant velocity.

Torsionally rigid.

High flexibility.

Temperature range -40°C to +120°C.

Central relief diameter may be smaller than

bore in some cases.

Max Torque:

Select the size where max.torque exceeds the application target service factor.

Service Factors:

Shock + reversing = 2

Non reversing = 1,5

Steady load = 1

Max. rpm = 5,000

Torsional stiffness:

based on - bore diameter of minimum D_2 for size at load of (max torque/2).

Tips

Suitable for:

encoders, stepper motors, precision ball screws, robotics, scientific equipment, measuring systems, medical systems, pumps, servo systems etc.

Order No.	d ₁	d ₂	d ₃	d ₄	l ₁	l ₂	n	Ang. offset	Par. offset mm	Torque Nm max.	Tors. stiffness Nm/rad	Weight g
R3006.A02-03	1.9	3	9.5	M2,5	14.2	2	4.5	3°	0.100	0.4	2	2
R3006.A02-04	1.9	4	9.5	M2,5	14.2	2	4.5	3°	0.100	0.4	2	2
R3006.A03-03	1.9	3	9.5	M2,5	14.2	3	4.5	3°	0.100	0.4	2	2
R3006.A03-04	1.9	4	9.5	M2,5	14.2	3	4.5	3°	0.100	0.4	2	2
R3006.A04-04	1.9	4	9.5	M2,5	14.2	4	4.5	3°	0.100	0.4	2	2
R3006.B03-04	2.8	4	12.7	M3	19.1	3	6.0	5°	0.127	0.9	36	5
R3006.B03-05	2.8	5	12.7	M3	19.1	3	6.0	5°	0.127	0.9	36	5
R3006.B03-06	2.8	6	12.7	M3	19.1	3	6.0	5°	0.127	0.9	36	5
R3006.B04-04	2.8	4	12.7	M3	19.1	4	6.0	5°	0.127	0.9	36	5
R3006.B04-05	2.8	5	12.7	M3	19.1	4	6.0	5°	0.127	0.9	36	5
R3006.B04-06	2.8	6	12.7	M3	19.1	4	6.0	5°	0.127	0.9	36	5
R3006.B05-05	2.8	5	12.7	M3	19.1	5	6.0	5°	0.127	0.9	36	5
R3006.B05-06	2.8	6	12.7	M3	19.1	5	6.0	5°	0.127	0.9	36	5
R3006.B06-06	2.8	6	12.7	M3	19.1	6	6.0	5°	0.127	0.9	36	5
R3006.C03-04	2.8	4	15.9	M4	20.3	3	6.5	5°	0.127	1.5	63	8
R3006.C03-05	2.8	5	15.9	M4	20.3	3	6.5	5°	0.127	1.5	63	8
R3006.C03-06	2.8	6	15.9	M4	20.3	3	6.5	5°	0.127	1.5	63	8
R3006.C03-08	2.8	8	15.9	M4	20.3	3	6.5	5°	0.127	1.5	63	8
R3006.C04-05	2.8	5	15.9	M4	20.3	4	6.5	5°	0.127	1.5	63	8
R3006.C04-06	2.8	6	15.9	M4	20.3	4	6.5	5°	0.127	1.5	63	8
R3006.C04-08	2.8	8	15.9	M4	20.3	4	6.5	5°	0.127	1.5	63	8
R3006.C05-05	2.8	5	15.9	M4	20.3	5	6.5	5°	0.127	1.5	63	8
R3006.C05-06	2.8	6	15.9	M4	20.3	5	6.5	5°	0.127	1.5	63	8
R3006.C05-08	2.8	8	15.9	M4	20.3	5	6.5	5°	0.127	1.5	63	8

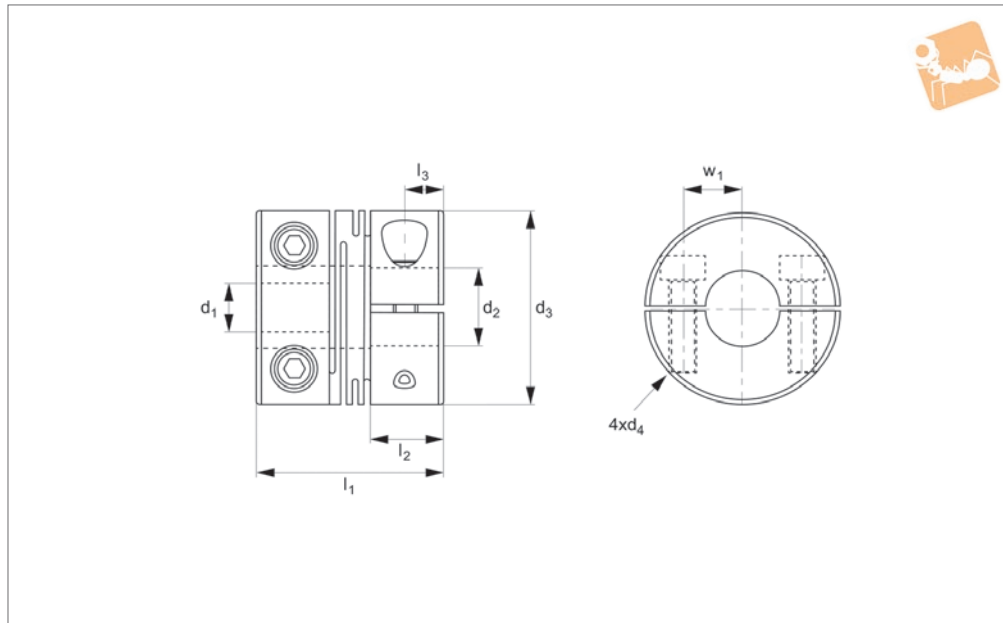
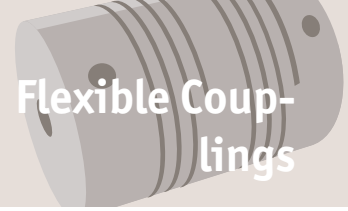


Order No.	d ₁	d ₂	d ₃	d ₄	l ₁	l ₂	n	Ang. offset	Par. offset mm	Torque Nm max.	Tors. stiffness Nm/rad	Weight g
R3006.C06-06	2.8	6	15.9	M4	20.3	6	6.5	5°	0.127	1.5	63	8
R3006.C06-08	2.8	8	15.9	M4	20.3	6	6.5	5°	0.127	1.5	63	8
R3006.C08-08	2.8	8	15.9	M4	20.3	8	6.5	5°	0.127	1.5	63	8
R3006.D03-05	2.8	5	19.1	M4	22.9	3	6.5	5°	0.127	2.5	50	15
R3006.D03-06	2.8	6	19.1	M4	22.9	3	6.5	5°	0.127	2.5	50	15
R3006.D03-08	2.8	8	19.1	M4	22.9	5	6.5	5°	0.127	2.5	50	15
R3006.D04-05	2.8	5	19.1	M4	22.9	4	6.5	5°	0.127	2.5	50	15
R3006.D04-06	2.8	6	19.1	M4	22.9	4	6.5	5°	0.127	2.5	50	15
R3006.D04-08	2.8	8	19.1	M4	22.9	4	6.5	5°	0.127	2.5	50	15
R3006.D05-05	2.8	5	19.1	M4	22.9	5	6.5	5°	0.127	2.5	50	15
R3006.D05-06	2.8	6	19.1	M4	22.9	5	6.5	5°	0.127	2.5	50	15
R3006.D05-08	2.8	8	19.1	M4	22.9	5	6.5	5°	0.127	2.5	50	15
R3006.D06-06	2.8	8	19.1	M4	22.9	5	6.5	5°	0.127	2.5	50	15
R3006.D06-08	2.8	8	19.1	M4	22.9	5	6.5	5°	0.127	2.5	50	15
R3006.D08-08	2.8	8	19.1	M4	22.9	5	6.5	5°	0.127	2.5	50	15
R3006.E05-06	4.8	6	25.4	M5	31.8	5	9	5°	0.127	4	104	40
R3006.E05-08	4.8	8	25.4	M5	31.8	5	9	5°	0.127	4	104	40
R3006.E05-10	4.8	10	25.4	M5	31.8	5	9	5°	0.127	4	104	40
R3006.E06-06	4.8	6	25.4	M5	31.8	6	9	5°	0.127	4	104	40
R3006.E06-08	4.8	8	25.4	M5	31.8	6	9	5°	0.127	4	104	40
R3006.E06-10	4.8	10	25.4	M5	31.8	6	9	5°	0.127	4	104	40
R3006.E08-08	4.8	8	25.4	M5	31.8	8	9	5°	0.127	4	104	40
R3006.E08-10	4.8	10	25.4	M5	31.8	8	9	5°	0.127	4	104	40
R3006.E10-10	4.8	10	25.4	M5	31.8	10	9	5°	0.127	4	104	40



Beamed Coupling - three beam stainless steel, set screw type

Flexible Couplings



R3007

FLEXIBLE COUPLINGS

Material

Stainless steel 1.4435 (AISI 316L)

Technical Notes

One piece construction, no mechanical joints.

No backlash.

Constant velocity.

Torsionally rigid.

High flexibility.

Temperature range -40°C to +120°C.

Central relief diameter may be smaller than

bore in some cases.

Max Torque:

Select the size where max.torque exceeds the application target service factor.

Service Factors:

Shock + reversing = 2

Non reversing = 1,5

Steady load = 1

Max. rpm = 5,000

Torsional stiffness:

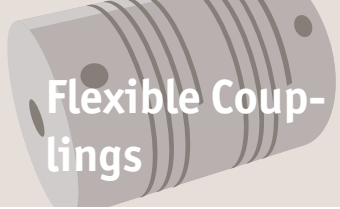
based on - bore diameter of minimum D_2 for size at load of (max torque/2).

Tips

Suitable for:

encoders, stepper motors, precision ball screws, robotics, scientific equipment, measuring systems, medical systems, pumps, servo systems etc.

Order No.	d ₁	d ₂	d ₃	d ₄	l ₁	l ₂	n	Ang. offset	Par. offset mm	Torque Nm max.	Tors. stiffness Nm/rad	Weight g
R3007.A02-03	1.9	3	9.5	M2,5	14.2	2	4.5	3°	0.100	0.4	4	5
R3007.A02-04	1.9	4	9.5	M2,5	14.2	2	4.5	3°	0.100	0.4	4	5
R3007.A03-03	1.9	3	9.5	M2,5	14.2	3	4.5	3°	0.100	0.4	4	5
R3007.A03-04	1.9	4	9.5	M2,5	14.2	3	4.5	3°	0.100	0.4	4	5
R3007.A04-04	1.9	4	9.5	M2,5	14.2	4	4.5	3°	0.100	0.4	4	5
R3007.B03-04	2.8	4	12.7	M3	19.1	3	6.0	5°	0.127	1.0	63	13
R3007.B03-05	2.8	5	12.7	M3	19.1	3	6.0	5°	0.127	1.0	63	13
R3007.B04-04	2.8	4	12.7	M3	19.1	4	6.0	5°	0.127	1.0	63	13
R3007.B04-05	2.8	5	12.7	M3	19.1	4	6.0	5°	0.127	1.0	63	13
R3007.B04-06	2.8	6	12.7	M3	19.1	4	6.0	5°	0.127	1.0	63	13
R3007.B05-05	2.8	5	12.7	M3	19.1	5	6.0	5°	0.127	1.0	63	13
R3007.C03-04	2.8	4	15.9	M4	20.3	3	6.0	5°	0.127	1.8	100	21
R3007.C03-05	2.8	5	15.9	M4	20.3	3	6.0	5°	0.127	1.8	100	21
R3007.C03-06	2.8	6	15.9	M4	20.3	3	6.0	5°	0.127	1.8	100	21
R3007.C04-04	2.8	4	15.9	M4	20.3	4	6.0	5°	0.127	1.8	100	21
R3007.C04-05	2.8	5	15.9	M4	20.3	4	6.0	5°	0.127	1.8	100	21
R3007.C04-06	2.8	6	15.9	M4	20.3	4	6.0	5°	0.127	1.8	100	21
R3007.C05-04	2.8	4	15.9	M4	20.3	5	6.0	5°	0.127	1.8	100	21
R3007.C05-05	2.8	5	15.9	M4	20.3	5	6.0	5°	0.127	1.8	100	21
R3007.C05-06	2.8	6	15.9	M4	20.3	5	6.0	5°	0.127	1.8	100	21
R3007.C06-06	2.8	6	15.9	M4	20.3	6	6.0	5°	0.127	1.8	100	21
R3007.D03-05	2.8	5	19.1	M4	22.9	3	6.5	5°	0.127	2.7	80	40
R3007.D03-06	2.8	6	19.1	M4	22.9	3	6.5	5°	0.127	2.7	80	40
R3007.D03-08	2.8	8	19.1	M4	22.9	3	6.5	5°	0.127	2.7	80	40



Beamed Coupling - three beam

stainless steel, set screw type



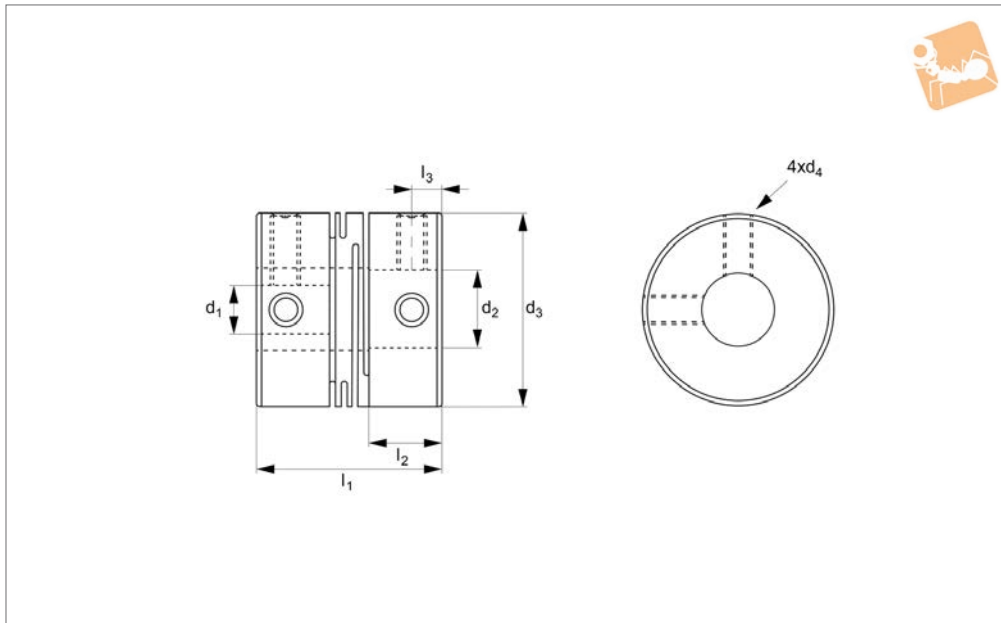
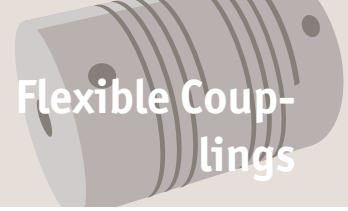
FLEXIBLE COUPLINGS

Order No.	d ₁	d ₂	d ₃	d ₄	l ₁	l ₂	n	Ang. offset	Par. offset mm	Torque Nm max.	Tors. stiffness Nm/rad	Weight g
R3007.D04-05	2.8	5	19.1	M4	22.9	4	6.5	5°	0.127	2.7	80	40
R3007.D04-06	2.8	6	19.1	M4	22.9	4	6.5	5°	0.127	2.7	80	40
R3007.D04-08	2.8	8	19.1	M4	22.9	4	6.5	5°	0.127	2.7	80	40
R3007.D05-05	2.8	5	19.1	M4	22.9	5	6.5	5°	0.127	2.7	80	40
R3007.D05-06	2.8	6	19.1	M4	22.9	5	6.5	5°	0.127	2.7	80	40
R3007.D05-08	2.8	8	19.1	M4	22.9	5	6.5	5°	0.127	2.7	80	40
R3007.D06-06	2.8	6	19.1	M4	22.9	6	6.5	5°	0.127	2.7	80	40
R3007.D06-08	2.8	8	19.1	M4	22.9	6	6.5	5°	0.127	2.7	80	40
R3007.D08-08	2.8	8	19.1	M4	22.9	8	6.5	5°	0.127	2.7	80	40
R3007.E05-06	4.8	6	25.4	M5	31.8	5	9.0	5°	0.127	6.0	163	106
R3007.E05-08	4.8	8	25.4	M5	31.8	5	9.0	5°	0.127	6.0	163	106
R3007.E05-10	4.8	10	25.4	M5	31.8	5	9.0	5°	0.127	6.0	163	106
R3007.E06-06	4.8	6	25.4	M5	31.8	6	9.0	5°	0.127	6.0	163	106
R3007.E06-08	4.8	8	25.4	M5	31.8	6	9.0	5°	0.127	6.0	163	106
R3007.E06-10	4.8	10	25.4	M5	31.8	6	9.0	5°	0.127	6.0	163	106
R3007.E08-08	4.8	8	25.4	M5	31.8	8	9.0	5°	0.127	6.0	163	106
R3007.E08-10	4.8	10	25.4	M5	31.8	8	9.0	5°	0.127	6.0	163	106
R3007.E10-10	4.8	10	25.4	M5	31.8	10	9	5°	0.127	6.0	163	106



Beamed Coupling - three beam stainless steel, clamp type

Flexible Couplings



R3009

FLEXIBLE COUPLINGS

Material

Stainless steel 1.4435 (AISI 316L)

Technical Notes

One piece construction, no mechanical joints.

No backlash.

Constant velocity.

Torsionally rigid.

High flexibility.

Temperature range -40°C to +120°C.

Central relief diameter may be smaller than

bore in some cases.

Max Torque:

Select the size where max.torque exceeds the application target service factor.

Service Factors:

Shock + reversing = 2

Non reversing = 1,5

Steady load = 1

Max. rpm = 5,000

Torsional stiffness:

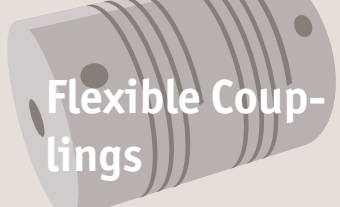
based on - bore diameter of minimum D_2 for size at load of (max torque/2).

Tips

Suitable for:

encoders, stepper motors, precision ball screws, robotics, scientific equipment, measuring systems, medical systems, pumps, servo systems etc.

Order No.	d ₁	d ₂	d ₃	d ₄	l ₁	l ₂	n	Ang. offset	Par. offset mm	Torque Nm max.	Tors. stiffness Nm/rad	Weight g
R3009.A02-03	1.9	3	9.5	-	14.2	2	4.5	3°	0.1	0.4	4	5
R3009.A02-04	1.9	4	9.5	-	14.2	2	4.5	3°	0.1	0.4	4	5
R3009.A03-03	1.9	3	9.5	-	14.2	3	4.5	3°	0.1	0.4	4	5
R3009.A03-04	1.9	4	9.5	-	14.2	3	4.5	3°	0.1	0.4	4	5
R3009.A04-04	1.9	4	9.5	-	14.2	4	4.5	3°	0.1	0.4	4	5
R3009.B03-04	2.8	4	12.7	M2	19.1	3	6	5°	0.127	1.0	63	13
R3009.B03-05	2.8	5	12.7	M2	19.1	3	6	5°	0.127	1.0	63	13
R3009.B04-04	2.8	4	12.7	M2	19.1	4	6	5°	0.127	1.0	63	13
R3009.B04-05	2.8	5	12.7	M	19.1	4	6	5°	0.127	1.0	63	13
R3009.B04-06	2.8	6	12.7	M2	19.1	4	6	5°	0.127	1.0	63	13
R3009.B05-05	2.8	5	12.7	M2	19.1	5	6	5°	0.127	1.0	63	13
R3009.C03-04	2.8	4	15.9	M2,5	20.3	3	6.0	5°	0.127	1.8	100	21
R3009.C03-05	2.8	5	15.9	M2,5	20.3	3	6.0	5°	0.127	1.8	100	21
R3009.C03-06	2.8	6	15.9	M2,5	20.3	3	6.0	5°	0.127	1.8	100	21
R3009.C04-04	2.8	4	15.9	M2,5	20.3	4	6.0	5°	0.127	1.8	100	21
R3009.C04-05	2.8	5	15.9	M2,5	20.3	4	6.0	5°	0.127	1.8	100	21
R3009.C04-06	2.8	6	15.9	M2,5	20.3	4	6.0	5°	0.127	1.8	100	21
R3009.C05-04	2.8	4	15.9	M2,5	20.3	5	6.0	5°	0.127	1.8	100	21
R3009.C05-05	2.8	5	15.9	M2,5	20.3	5	6.0	5°	0.127	1.8	100	21
R3009.C05-06	2.8	6	15.9	M2,5	20.3	5	6.0	5°	0.127	1.8	100	21
R3009.C06-06	2.8	6	15.9	M2,5	20.3	6	6.0	5°	0.127	1.8	100	21
R3009.D03-05	2.8	5	19.1	M2,5	22.9	3	6.5	5°	0.127	2.7	80	40
R3009.D03-06	2.8	6	19.1	M2,5	22.9	3	6.5	5°	0.127	2.7	80	40
R3009.D03-08	2.8	8	19.1	M2,5	22.9	3	6.5	5°	0.127	2.7	80	40



Beamed Coupling - three beam

stainless steel, clamp type



FLEXIBLE COUPLINGS

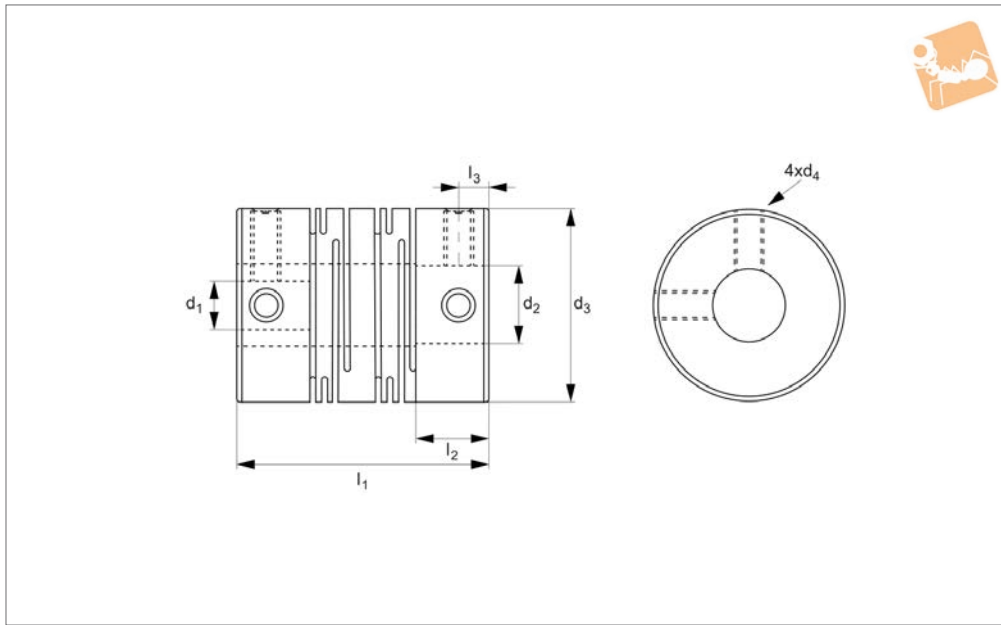
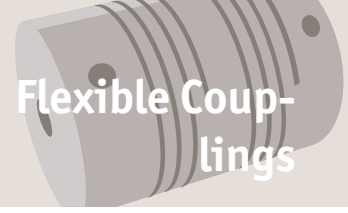
Order No.	d ₁	d ₂	d ₃	d ₄	l ₁	l ₂	n	Ang. offset	Par. offset mm	Torque Nm max.	Tors. stiffness Nm/rad	Weight g
R3009.D04-05	2.8	5	19.1	M2,5	22.9	4	6.5	5°	0.127	2.7	80	40
R3009.D04-06	2.8	6	19.1	M2,5	22.9	4	6.5	5°	0.127	2.7	80	40
R3009.D04-08	2.8	8	19.1	M2,5	22.9	4	6.5	5°	0.127	2.7	80	40
R3009.D05-05	2.8	5	19.1	M2,5	22.9	5	6.5	5°	0.127	2.7	80	40
R3009.D05-06	2.8	6	19.1	M2,5	22.9	5	6.5	5°	0.127	2.7	80	40
R3009.D05-08	2.8	8	19.1	M2,5	22.9	5	6.5	5°	0.127	2.7	80	40
R3009.D06-06	2.8	6	19.1	M2,5	22.9	6	6.5	5°	0.127	2.7	80	40
R3009.D06-08	2.8	8	19.1	M2,5	22.9	6	6.5	5°	0.127	2.7	80	40
R3009.D08-08	2.8	8	19.1	M2,5	22.9	8	6.5	5°	0.127	2.7	80	40
R3009.E05-06	4.8	6	25.4	M3	31.8	5	9.0	5°	0.127	6.0	163	106
R3009.E05-08	4.8	8	25.4	M3	31.8	5	9.0	5°	0.127	6.0	163	106
R3009.E05-10	4.8	10	25.4	M3	31.8	5	9.0	5°	0.127	6.0	163	106
R3009.E06-06	4.8	6	25.4	M3	31.8	6	9.0	5°	0.127	6.0	163	106
R3009.E06-08	4.8	8	25.4	M3	31.8	6	9.0	5°	0.127	6.0	163	106
R3009.E06-10	4.8	10	25.4	M3	31.8	6	9.0	5°	0.127	6.0	163	106
R3009.E08-08	4.8	8	25.4	M3	31.8	8	9.0	5°	0.127	6.0	163	106
R3009.E08-10	4.8	10	25.4	M3	31.8	8	9.0	5°	0.127	6.0	163	106
R3009.E10-10	4.8	10	25.4	M3	31.8	10	9.0	5°	0.127	6.0	163	106



Spiral Beam Coupling - Stainless Steel

set screw - long type

Flexible Couplings



R3002.1

FLEXIBLE COUPLINGS

Material

Stainless steel, SUS303

Technical Notes

Zero backlash.

The flexure allowed by the beam portion of the coupling is capable of accommodating

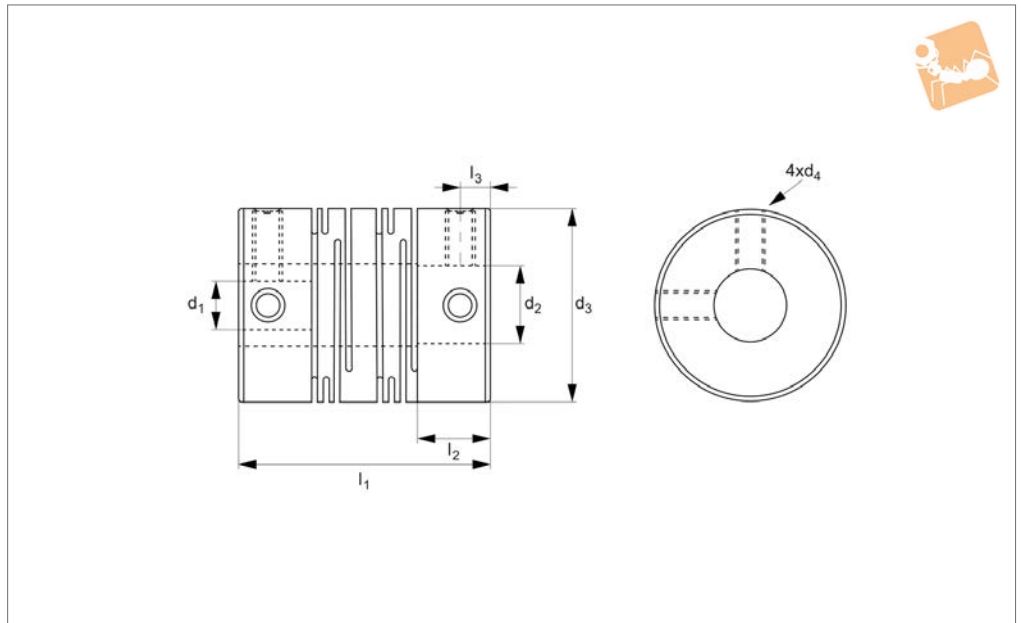
parallel, angular and axial misalignment. High wrench torque rigidity and sensitivity. Rotation character of clockwise or anti-clockwise are exactly the same. Free maintenance, oil-resist and anti-

corrosiveness. Offset of angular, parallel or axial deviation are individual allowed value, so couple reasons of axial offset appearing at the same time would reduce unit allowable value.

Order No.	d ₁	d ₂	d ₃	d ₄	l ₁	l ₂	l ₃
R3002.A-2-2	2	2	8	2.0	14.0	3.5	1.7
R3002.A-2-3	2	3	8	2.0	14.0	3.5	1.7
R3002.A-3-3	3	3	8	2.0	14.0	3.5	1.7
R3002.B-3-3	3	3	12	2.5	18.5	5.0	2.5
R3002.B-3-4	3	4	12	2.5	18.5	5.0	2.5
R3002.B-4-4	4	4	12	2.5	18.5	5.0	2.5
R3002.B-4-5	4	5	12	2.5	18.5	5.0	2.5
R3002.B-5-5	5	5	12	2.5	18.5	5.0	2.5
R3002.B-5-6	5	6	12	2.5	18.5	5.0	2.5
R3002.C-4-4	4	4	16	3	23.0	6.5	3
R3002.C-4-5	4	5	16	3	23.0	6.5	3
R3002.C-4-6	4	6	16	3	23.0	6.5	3
R3002.C-5-5	5	5	16	3	23.0	6.5	3
R3002.C-5-6	5	6	16	3	23.0	6.5	3
R3002.C-5-7	5	7	16	3	23.0	6.5	3
R3002.C-5-8	5	8	16	3	23.0	6.5	3
R3002.C-6-6	6	6	16	3	23.0	6.5	3
R3002.C-6-7	6	7	16	3	23.0	6.5	3
R3002.C-6-8	6	8	16	3	23.0	6.5	3
R3002.D-5-5	5	5	20	3	26.0	7.5	3
R3002.D-5-6	5	6	20	3	26.0	7.5	3
R3002.D-5-7	5	7	20	3	26.0	7.5	3
R3002.D-5-8	5	8	20	3	26.0	7.5	3
R3002.D-6-6	6	6	20	3	26.0	7.5	3
R3002.D-6-7	6	7	20	3	26.0	7.5	3
R3002.D-6-8	6	8	20	3	26.0	7.5	3
R3002.D-6-10	5	5	20	3	26.0	7.5	3
R3002.D-8-8	8	8	20	3	26.0	7.5	3
R3002.D-8-10	8	10	20	3	26.0	7.5	3
R3002.D-10-10	10	10	20	3	26.0	7.5	3



R3002.2



Material

Stainless steel, SUS303

Technical Notes

Zero backlash.

The flexure allowed by the beam portion of the coupling is capable of accommodating

parallel, angular and axial misalignment. High wrench torque rigidity and sensitivity. Rotation character of clockwise or anti-clockwise are exactly the same. Free maintenance, oil-resist and anti-

corrosiveness. Offset of angular, parallel or axial deviation are individual allowed value, so couple reasons of axial offset appearing at the same time would reduce unit allowable value.

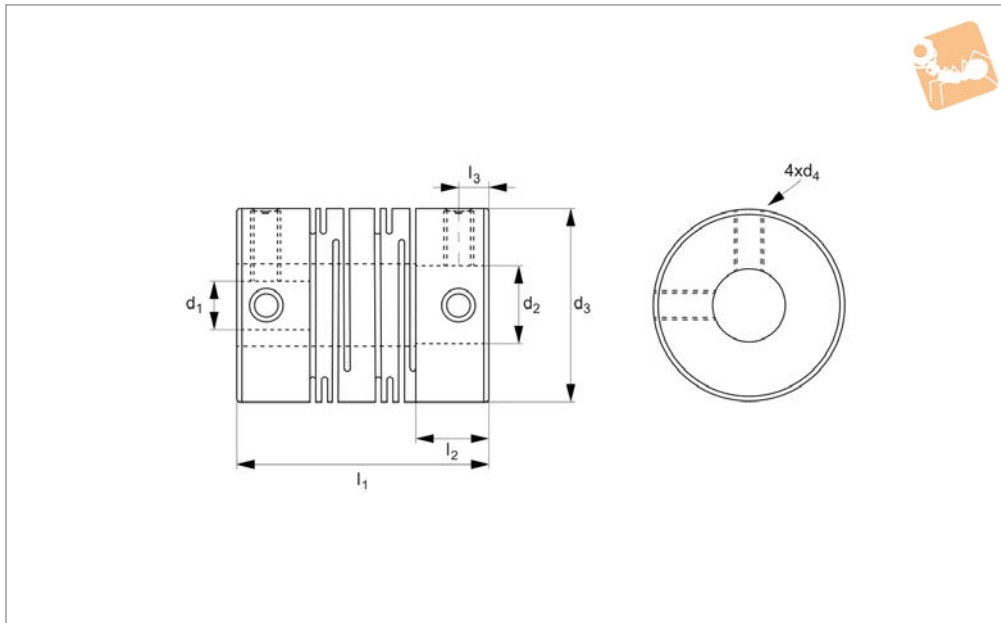
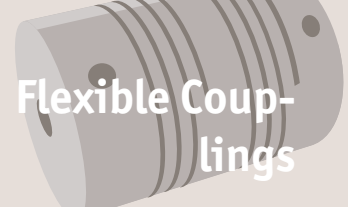
Order No.	d ₁	d ₂	d ₃	d ₄	l ₁	l ₂	l ₃
R3002.E-5-6	5	6	25	4	31	8.5	4.0
R3002.E-6-6	6	6	25	4	31	8.5	4.0
R3002.E-6-8	6	8	25	4	31	8.5	4.0
R3002.E-6-10	6	10	25	4	31	8.5	4.0
R3002.E-8-8	8	8	25	4	31	8.5	4.0
R3002.E-8-10	8	10	25	4	31	8.5	4.0
R3002.E-8-12	8	12	25	4	31	8.5	4.0
R3002.E-10-10	10	10	25	4	31	8.5	4.0
R3002.E-10-11	10	11	25	4	31	8.5	4.0
R3002.E-10-12	10	12	25	4	31	8.5	4.0
R3002.E-12-12	12	12	25	4	31	8.5	4.0
R3002.F-6-8	6	8	32	4	41	12	6.0
R3002.F-8-8	8	8	32	4	41	12	6.0
R3002.F-8-10	8	10	32	4	41	12	6.0
R3002.F-8-12	8	12	32	4	41	12	6.0
R3002.F-10-10	10	10	32	4	41	12	6.0
R3002.F-10-11	10	11	32	4	41	12	6.0
R3002.F-10-12	10	12	32	4	41	12	6.0
R3002.F-12-14	12	14	32	4	41	12	6.0
R3002.F-14-14	14	14	32	4	41	12	6.0
R3002.F-14-16	14	16	32	4	41	12	6.0
R3002.G-10-10	10	10	40	5	56	17	8.5
R3002.G-12-12	12	12	40	5	56	17	8.5
R3002.G-14-14	14	14	40	5	56	17	8.5
R3002.G-14-16	14	16	40	5	56	17	8.5
R3002.G-14-18	14	18	40	5	56	17	8.5
R3002.G-15-15	15	15	40	5	56	17	8.5
R3002.G-16-16	16	16	40	5	56	17	8.5
R3002.G-16-18	16	18	40	5	56	17	8.5
R3002.G-18-18	18	18	40	5	56	17	8.5



Spiral Beam Coupling - Aluminium

set screw - long type

Flexible Couplings



R3003.1

FLEXIBLE COUPLINGS

Material

Anodized aluminium AL7075

Technical Notes

Zero backlash.

The flexure allowed by the beam portion of the coupling is capable of accommodating

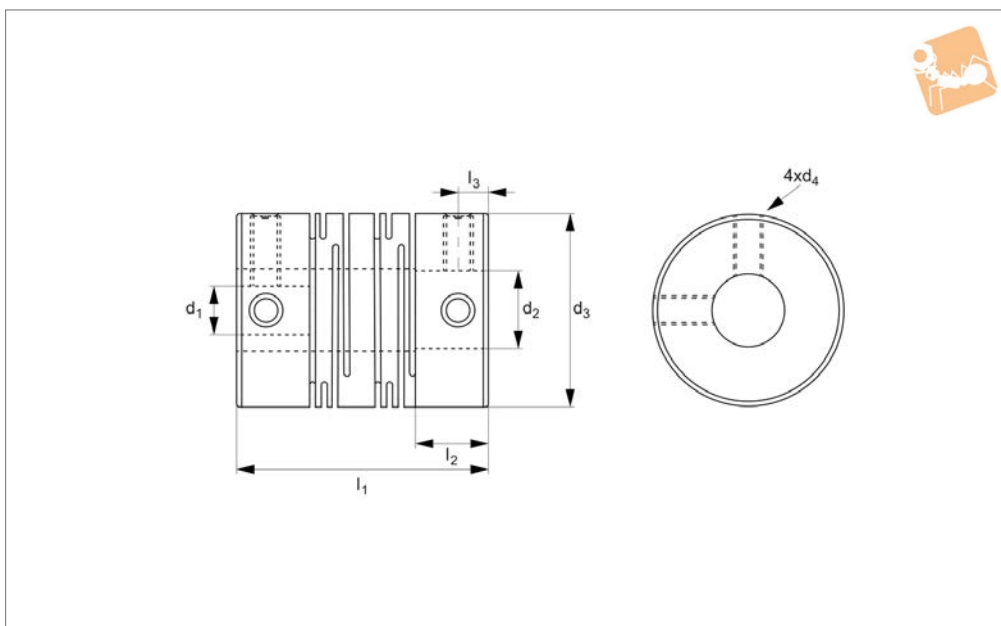
parallel, angular and axial misalignment. High wrench torque rigidity and sensitivity. Rotation character of clockwise or anti-clockwise are exactly the same. Free maintenance, oil-resist and anti-

corrosiveness. Offset of angular, parallel or axial deviation are individual allowed value, so couple reasons of axial offset appearing at the same time would reduce unit allowable value.

Order No.	d ₁ tol. h8	d ₂ tol. h8	d ₃	d ₄	l ₁	l ₂	l ₃
R3003.A-2-2	2	2	8	M2	14	3.5	1.7
R3003.A-2-3	2	3	8	M2	14	3.5	1.7
R3003.A-3-3	3	3	8	M2	14	3.5	1.7
R3003.B-3-3	3	3	12	M2,5	18.5	5	2.5
R3003.B-3-4	3	4	12	M2,5	18.5	5	2.5
R3003.B-4-4	4	4	12	M2,5	18.5	5	2.5
R3003.B-4-5	4	5	12	M2,5	18.5	5	2.5
R3003.B-5-5	5	5	12	M2,5	18.5	5	2.5
R3003.B-5-6	5	6	12	M2,5	18.5	5	2.5
R3003.C-4-4	4	4	16	M3	23	6.5	3
R3003.C-4-5	4	5	16	M3	23	6.5	3
R3003.C-4-6	4	6	16	M3	23	6.5	3
R3003.C-5-5	5	5	16	M3	23	6.5	3
R3003.C-5-6	5	6	16	M3	23	6.5	3
R3003.C-5-7	5	7	16	M3	23	6.5	3
R3003.C-5-8	5	8	16	M3	23	6.5	3
R3003.C-6-6	6	6	16	M3	23	6.5	3
R3003.C-6-7	6	7	16	M3	23	6.5	3
R3003.C-6-8	6	8	16	M3	23	6.5	3
R3003.D-5-5	5	5	20	M3	26	7.5	3
R3003.D-5-6	5	6	20	M3	26	7.5	3
R3003.D-5-7	5	7	20	M3	26	7.5	3
R3003.D-5-8	5	8	20	M3	26	7.5	3
R3003.D-6-6	6	6	20	M3	26	7.5	3
R3003.D-6-7	6	7	20	M3	26	7.5	3
R3003.D-6-8	6	8	20	M3	26	7.5	3
R3003.D-6-10	5	5	20	M3	26	7.5	3
R3003.D-8-8	8	8	20	M3	26	7.5	3
R3003.D-8-10	8	10	20	M3	26	7.5	3
R3003.D-10-10	10	10	20	M3	26	7.5	3



R3003.2



Material

Anodized aluminium AL7075

Technical Notes

Zero backlash.

The flexure allowed by the beam portion of the coupling is capable of accommodating

parallel, angular and axial misalignment. High wrench torque rigidity and sensitivity. Rotation character of clockwise or anti-clockwise are exactly the same. Free maintenance, oil-resist and anti-

corrosiveness. Offset of angular, parallel or axial deviation are individual allowed value, so couple reasons of axial offset appearing at the same time would reduce unit allowable value.

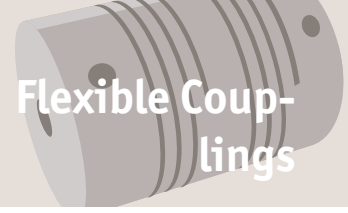
Order No.	d ₁ tol. h8	d ₂ tol. h8	d ₃	d ₄	l ₁	l ₂	l ₃
R3003.E-5-6	5	6	25	M4	31	8.5	4
R3003.E-6-6	6	6	25	M4	31	8.5	4
R3003.E-6-8	6	8	25	M4	31	8.5	4
R3003.E-6-10	6	10	25	M4	31	8.5	4
R3003.E-8-8	8	8	25	M4	31	8.5	4
R3003.E-8-10	8	10	25	M4	31	8.5	4
R3003.E-8-12	8	12	25	M4	31	8.5	4
R3003.E-10-10	10	10	25	M4	31	8.5	4
R3003.E-10-11	10	11	25	M4	31	8.5	4
R3003.E-10-12	10	12	25	M4	31	8.5	4
R3003.E-12-12	12	12	25	M4	31	8.5	4
R3003.F-6-8	6	8	32	M4	41	12	6
R3003.F-8-8	8	8	32	M4	41	12	6
R3003.F-8-10	8	10	32	M4	41	12	6
R3003.F-8-12	8	12	32	M4	41	12	6
R3003.F-10-10	10	10	32	M4	41	12	6
R3003.F-10-11	10	11	32	M4	41	12	6
R3003.F-10-12	10	12	32	M4	41	12	6
R3003.F-10-14	10	14	32	M4	41	12	6
R3003.F-12-12	12	12	32	M4	41	12	6
R3003.F-12-14	12	14	32	M4	41	12	6
R3003.F-14-14	14	14	32	M4	41	12	6
R3003.F-14-16	14	16	32	M4	41	12	6
R3003.G-10-10	10	10	40	M5	56	17	8.5
R3003.G-12-12	12	12	40	M5	56	17	8.5
R3003.G-14-14	14	14	40	M5	56	17	8.5
R3003.G-14-16	14	16	40	M5	56	17	8.5
R3003.G-14-18	14	18	40	M5	56	17	8.5
R3003.G-15-15	15	15	40	M5	56	17	8.5
R3003.G-16-16	16	16	40	M5	56	17	8.5
R3003.G-16-18	16	18	40	M5	56	17	8.5



Spiral Beam Coupling - Aluminium

set screw - long type

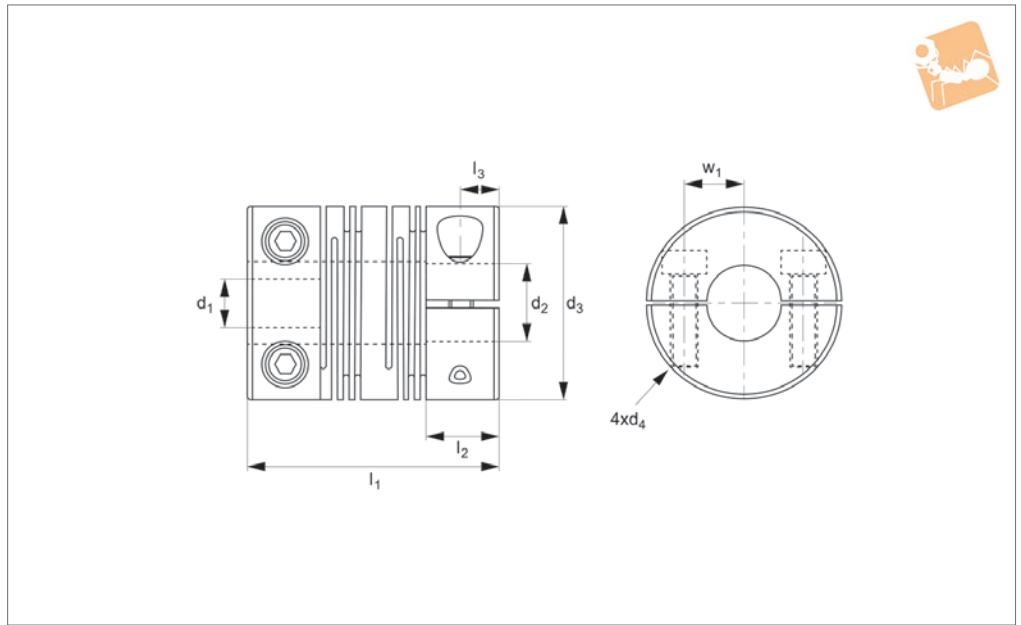
Flexible Couplings



Order No.	d_1 tol. h8	d_2 tol. h8	d_3	d_4	l_1	l_2	l_3
R3003.G-18-18	18	18	40	M5	56	17	8.5



R3004.1



Material

Stainless steel SUS303

Technical Notes

The flexure allowed by the beam portion of the coupling is capable of accommodating

angular, parallel and axial misalignment. Free maintenance, oil-resist and anti-corrosiveness. Rotation character of clockwise or anti-clockwise are exactly the same.

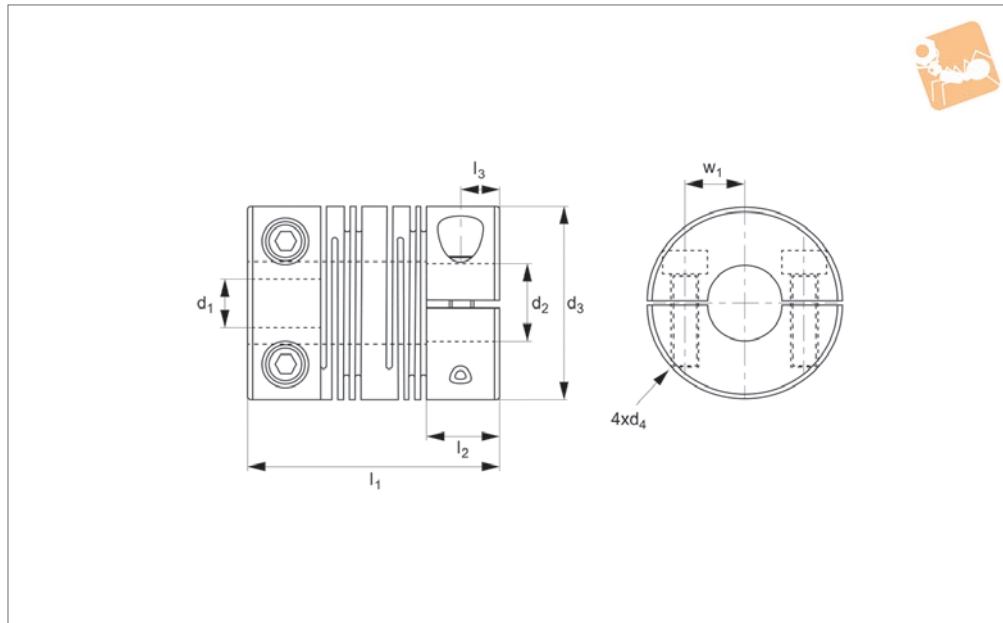
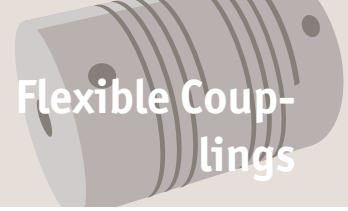
Offset of angular, parallel or axial deviation are individual allowed value, so couple reasons of axial offset appearing at same time would reduce the unit allowable value.

Order No.	d_1 tol. h8	d_2 tol. h8	d_3	d_4	l_1	l_2	l_3	w
R3004.A-4-4	4	4	12	M2	18.5	5	2.5	4
R3004.A-4-5	4	5	12	M2	18.5	5	2.5	4
R3004.A-5-5	5	5	12	M2	18.5	5	2.5	4
R3004.B-5-5	5	5	16	M2,5	26	6.5	3.25	5
R3004.B-5-6	5	6	16	M2,5	26	6.5	3.25	5
R3004.B-6-6	6	6	16	M2,5	26	6.5	3.25	5
R3004.C-5-6	5	6	20	M2,5	26	7.5	3.75	6.5
R3004.C-5-7	5	7	20	M2,5	26	7.5	3.75	6.5
R3004.C-5-8	5	8	20	M2,5	26	7.5	3.75	6.5
R3004.C-6-6	6	6	20	M2,5	26	7.5	3.75	6.5
R3004.C-6-7	6	7	20	M2,5	26	7.5	3.75	6.5
R3004.C-6-8	6	8	20	M2,5	26	7.5	3.75	6.5
R3004.C-8-8	8	8	20	M2,5	26	7.5	3.75	6.5
R3004.D-5-6	5	6	25	M3	31	8.5	4.25	9
R3004.D-6-6	6	6	25	M3	31	8.5	4.25	9
R3004.D-6-8	6	8	25	M3	31	8.5	4.25	9
R3004.D-6-10	6	10	25	M3	31	8.5	4.25	9
R3004.D-8-8	8	8	25	M3	31	8.5	4.25	9
R3004.D-8-10	8	10	25	M3	31	8.5	4.25	9
R3004.D-10-10	10	10	25	M3	31	8.5	4.25	9



Spiral Beam Coupling - stainless steel clamping type - long type

Flexible Couplings



R3004.2

FLEXIBLE COUPLINGS

Material

Stainless steel SUS303

Technical Notes

The flexure allowed by the beam portion of the coupling is capable of accommodating

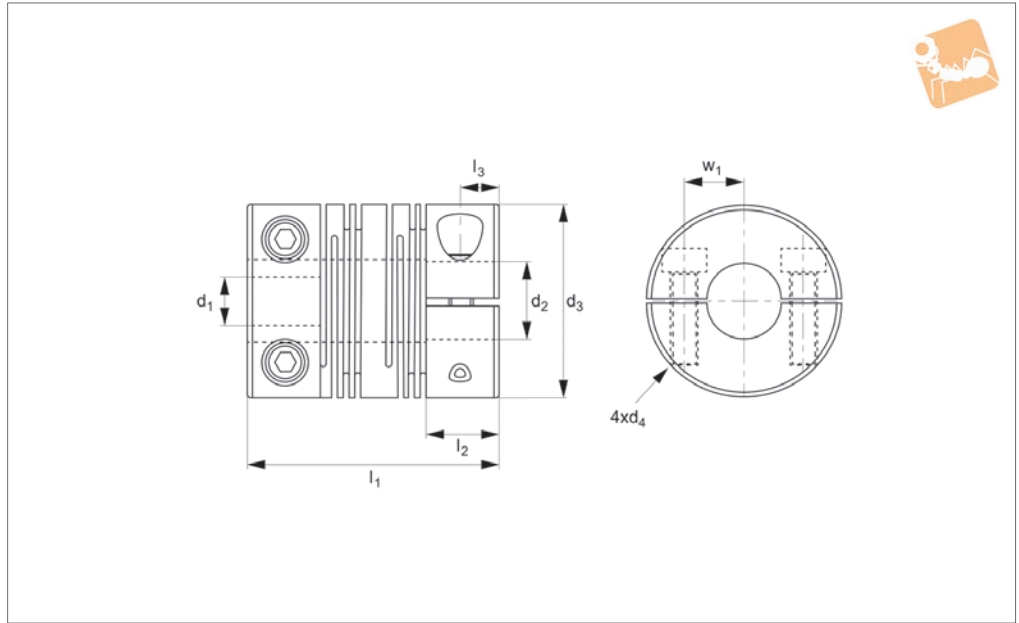
angular, parallel and axial misalignment. Free maintenance, oil-resist and anti-corrosiveness. Rotation character of clockwise or anti-clockwise are exactly the same.

Offset of angular, parallel or axial deviation are individual allowed value, so couple reasons of axial offset appearing at same time would reduce the unit allowable value.

Order No.	d ₁ tol. h8	d ₂ tol. h8	d ₃	d ₄	l ₁	l ₂	l ₃	w
R3004.E-8-8	8	8	32	M4	41	12	6	11
R3004.E-8-10	8	10	32	M4	41	12	6	11
R3004.E-8-12	8	12	32	M4	41	12	6	11
R3004.E-10-10	10	10	32	M4	41	12	6	11
R3004.E-10-11	10	11	32	M4	41	12	6	11
R3004.E-10-12	10	12	32	M4	41	12	6	11
R3004.E-10-14	10	14	32	M4	41	12	6	11
R3004.E-12-12	12	12	32	M4	41	12	6	11
R3004.E-12-14	12	14	32	M4	41	12	6	11
R3004.F-8-8	8	8	40	M5	56	17	8.5	14
R3004.F-8-10	8	10	40	M5	56	17	8.5	14
R3004.F-10-10	10	10	40	M5	56	17	8.5	14
R3004.F-12-12	12	12	40	M5	56	17	8.5	14
R3004.F-12-14	12	14	40	M5	56	17	8.5	14
R3004.F-14-14	14	14	40	M5	56	17	8.5	14
R3004.F-14-16	14	16	40	M5	56	17	8.5	14
R3004.F-15-15	15	15	40	M5	56	17	8.5	14
R3004.F-16-16	16	16	40	M5	56	17	8.5	14



R3005.1



Material

Anodized aluminium AL7075

Technical Notes

The flexure allowed by the beam portion of the coupling is capable of accommodating

angular, parallel and axial misalignment. Free maintenance, oil-resist and anti-corrosiveness. Rotation character of clockwise or anti-clockwise are exactly the same.

Offset of angular, parallel or axial deviation are individual allowed value, so couple reasons of axial offset appearing at same time would reduce the unit allowable value..

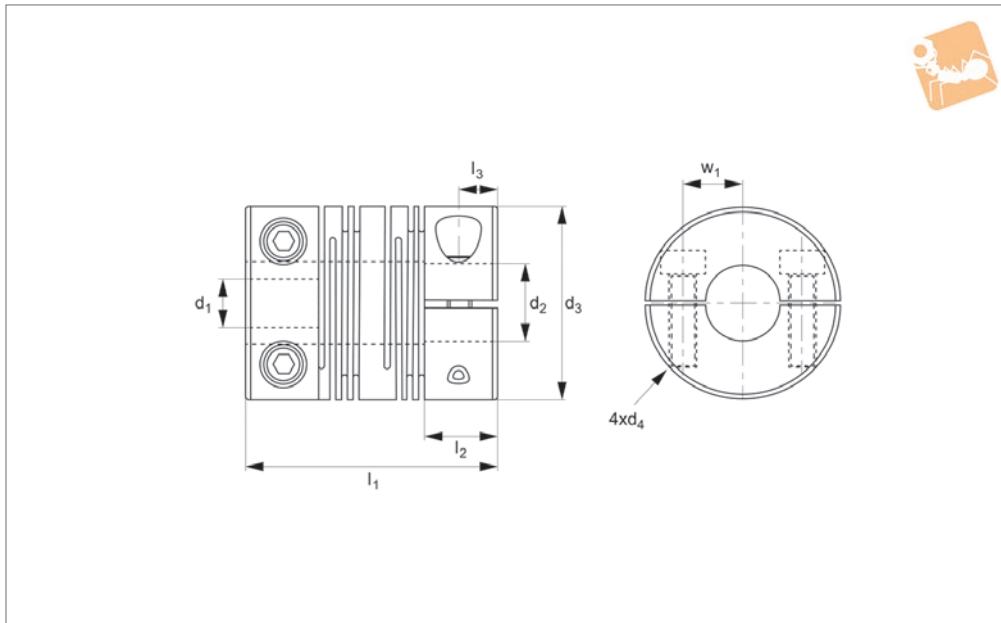
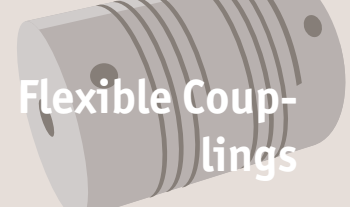
Order No.	d_1 tol. h8	d_2 tol. h8	d_3	d_4	l_1	l_2	l_3	w_1
R3005.A-4-4	4	4	12	M2	18.5	5	2.5	4
R3005.A-4-5	4	5	12	M2	18.5	5	2.5	4
R3005.A-5-5	5	5	12	M2	18.5	5	2.5	4
R3005.B-5-5	5	5	16	M2,5	23	6.5	3.25	5
R3005.B-5-6	5	6	16	M2,5	23	6.5	3.25	5
R3005.B-6-6	6	6	16	M2,5	23	6.5	3.25	5
R3005.C-5-6	5	6	20	M2,5	26	7.5	3.75	6.5
R3005.C-5-7	5	7	20	M2,5	26	7.5	3.75	6.5
R3005.C-5-8	5	8	20	M2,5	26	7.5	3.75	6.5
R3005.C-6-6	6	6	20	M2,5	26	7.5	3.75	6.5
R3005.C-6-7	6	7	20	M2,5	26	7.5	3.75	6.5
R3005.C-6-8	6	8	20	M2,5	26	7.5	3.75	6.5
R3005.C-8-8	8	8	20	M2,5	26	7.5	3.75	6.5
R3005.D-5-6	5	6	25	M3	31	8.5	4.25	9
R3005.D-6-6	6	6	25	M3	31	8.5	4.25	9
R3005.D-6-8	6	8	25	M3	31	8.5	4.25	9
R3005.D-6-10	6	10	25	M3	31	8.5	4.25	9
R3005.D-8-8	8	8	25	M3	31	8.5	4.25	9
R3005.D-8-10	8	10	25	M3	31	8.5	4.25	9
R3005.D-10-10	10	10	25	M3	31	8.5	4.25	9



Spiral Beam Coupling - Aluminium

clamping type - long type

Flexible Couplings



R3005.2

FLEXIBLE COUPLINGS

Material

Anodized aluminium AL7075

Technical Notes

The flexure allowed by the beam portion of the coupling is capable of accommodating

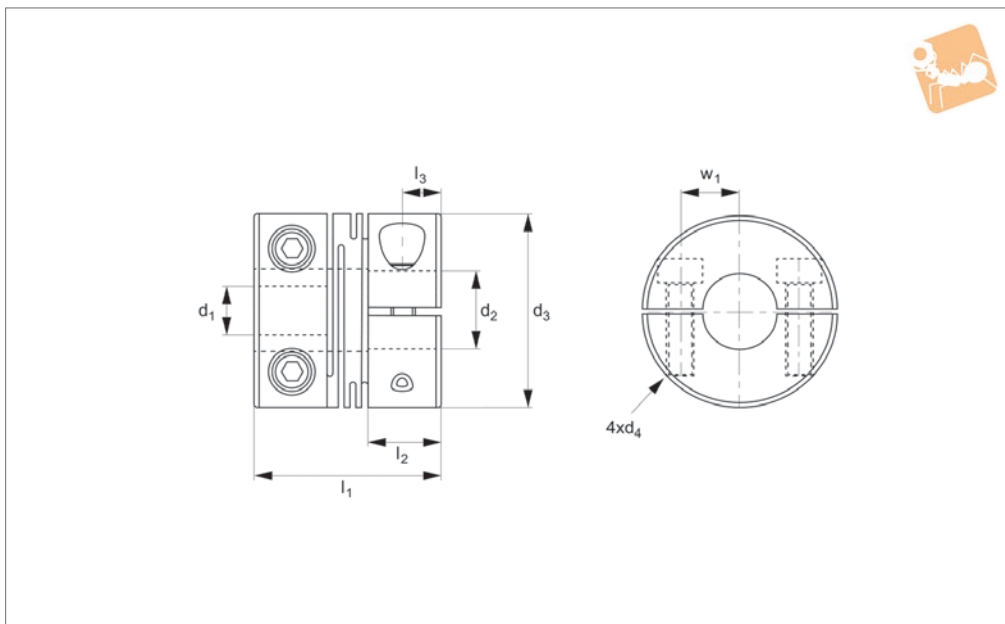
angular, parallel and axial misalignment. Free maintenance, oil-resist and anti-corrosiveness. Rotation character of clockwise or anti-clockwise are exactly the same.

Offset of angular, parallel or axial deviation are individual allowed value, so couple reasons of axial offset appearing at same time would reduce the unit allowable value.

Order No.	d ₁ tol. h8	d ₂ tol. h8	d ₃	d ₄	l ₁	l ₂	l ₃	w ₁
R3005.E-8-8	8	8	32	M4	41	12	6	11
R3005.E-8-10	8	10	32	M4	41	12	6	11
R3005.E-8-12	8	12	32	M4	41	12	6	11
R3005.E-10-10	10	10	32	M4	41	12	6	11
R3005.E-10-11	10	11	32	M4	41	12	6	11
R3005.E-10-12	10	12	32	M4	41	12	6	11
R3005.E-10-14	10	14	32	M4	41	12	6	11
R3005.E-12-12	12	12	32	M4	41	12	6	11
R3005.E-12-14	12	14	32	M4	41	12	6	11
R3005.F-8-8	8	8	40	M5	56	17	8.5	14
R3005.F-8-10	8	10	40	M5	56	17	8.5	14
R3005.F-10-10	10	10	40	M5	56	17	8.5	14
R3005.F-12-12	12	12	40	M5	56	17	8.5	14
R3005.F-12-14	12	14	40	M5	56	17	8.5	14
R3005.F-14-14	14	14	40	M5	56	17	8.5	14
R3005.F-14-16	14	16	40	M5	56	17	8.5	14
R3005.F-15-15	15	15	40	M5	56	17	8.5	14
R3005.F-16-16	16	16	40	M5	56	17	8.5	14



R3006.2



Material

Stainless steel SUS303

Technical Notes

Zero backlash.

The flexure allowed by the beam portion of the coupling is capable of accommodating angular and axial misalignment. High

wrench torque rigidity and sensitivity.

Rotation character of clockwise or anti-clockwise are exactly the same.

Free maintenance, oil-resist and anti-corrossiveness.

R3006 can't allow axial deviation caused by offset.

Offset of angular, parallel or axial deviation are individual allowed value,

so couple reasons of axial offset appearing at same time would reduce the unit allowable value.

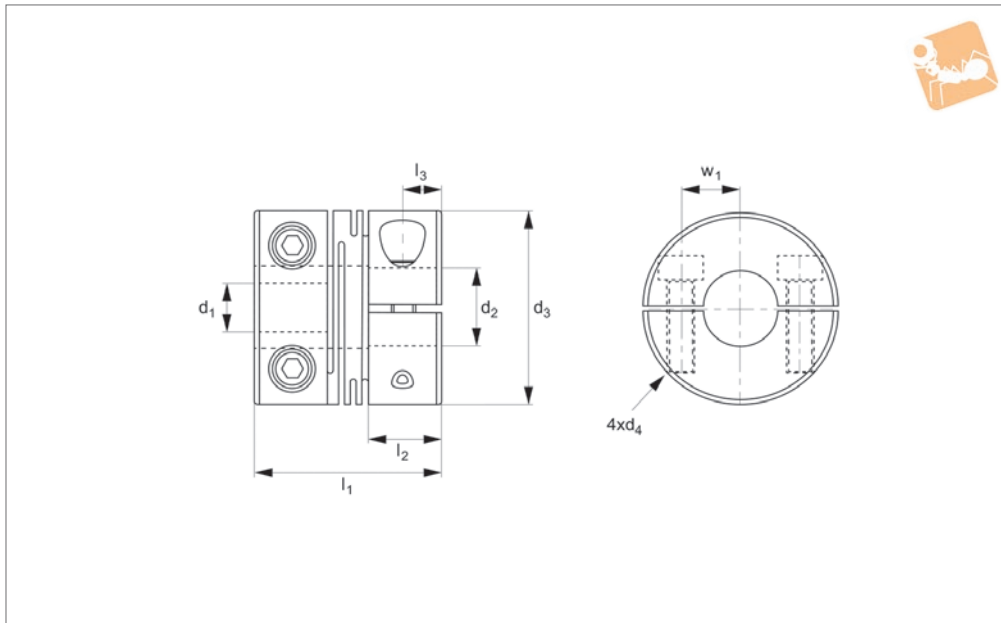
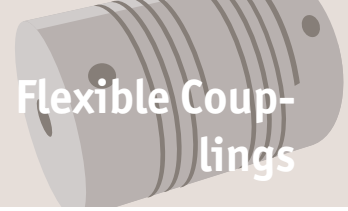
Order No.	d_1 tol. h8	d_2 tol. h8	d_3	d_4	l_1	l_2	l_3	w_1
R3006.A-4-4	4	4	12	M2	14	5.2	2.6	4
R3006.A-4-5	4	5	12	M2	14	5.2	2.6	4
R3006.A-5-5	5	5	12	M2	14	5.2	2.6	4
R3006.B-5-5	5	5	16	M2,5	18	6.8	3.4	5
R3006.B-5-6	5	6	16	M2,5	18	6.8	3.4	5
R3006.B-6-6	6	6	16	M2,5	18	6.8	3.4	5
R3006.C-5-6	5	6	20	M2,5	20	7.65	3.8	6.5
R3006.C-5-7	5	7	20	M2,5	20	7.65	3.8	6.5
R3006.C-5-8	5	8	20	M2,5	20	7.65	3.8	6.5
R3006.C-6-6	6	6	20	M2,5	20	7.65	3.8	6.5
R3006.C-6-7	6	7	20	M2,5	20	7.65	3.8	6.5
R3006.C-6-8	6	8	20	M2,5	20	7.65	3.8	6.5
R3006.C-8-8	8	8	20	M2,5	20	7.65	3.8	6.5
R3006.D-5-6	5	6	25	M3	25	9.6	4.8	9
R3006.D-6-6	6	6	25	M3	25	9.6	4.8	9
R3006.D-6-8	6	8	25	M3	25	9.6	4.8	9
R3006.D-6-10	6	10	25	M3	25	9.6	4.8	9
R3006.D-8-8	8	8	25	M3	25	9.6	4.8	9
R3006.D-8-10	8	10	25	M3	25	9.6	4.8	9
R3006.D-10-10	10	10	25	M3	25	9.6	4.8	9
R3006.E-8-8	8	8	32	M4	32	12.6	6.3	11
R3006.E-8-10	8	10	32	M4	32	12.6	6.3	11
R3006.E-10-10	10	10	32	M4	32	12.6	6.3	11
R3006.E-10-12	10	12	32	M4	32	12.6	6.3	11
R3006.E-10-14	10	14	32	M4	32	12.6	6.3	11
R3006.E-12-12	12	12	32	M4	32	12.6	6.3	11
R3006.E-12-14	12	14	32	M4	32	12.6	6.3	11



Spiral Beam Coupling - Aluminium

clamping type - short type

Flexible Couplings



R3007.1

FLEXIBLE COUPLINGS

Material

Anodized aluminium AL7075

Technical Notes

Zero backlash.

The flexure allowed by the beam portion of the coupling is capable of accommodating angular and axial misalignment. High

wrench torque rigidity and sensitivity.

Rotation character of clockwise or anti-clockwise are exactly the same.

Free maintenance, oil-resist and anti-corrossiveness.

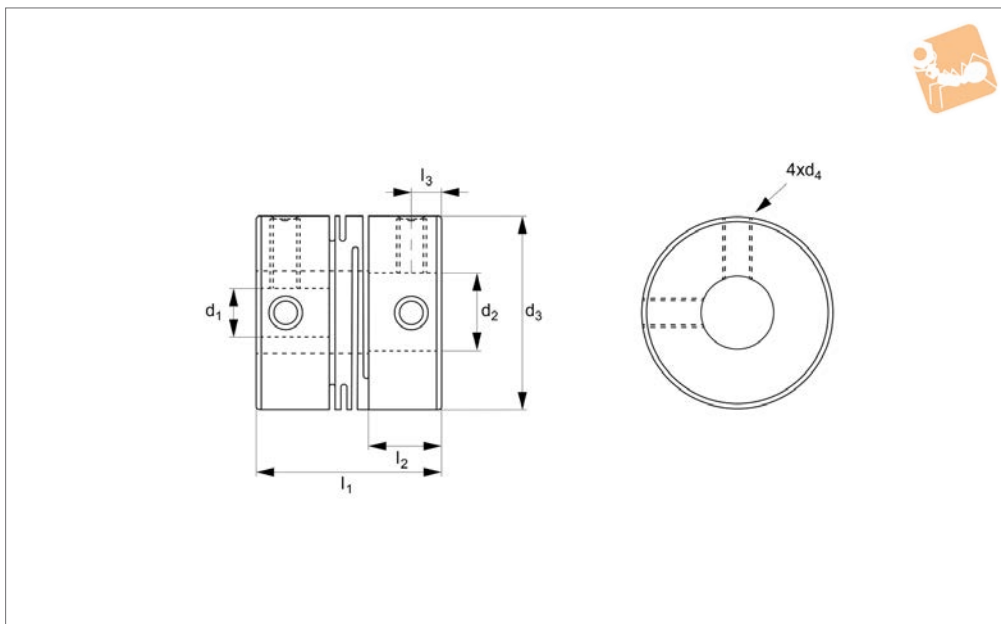
R3007 can't allow axial deviation caused by offset.

Offset of angular, parallel or axial deviation are individual allowed value, so couple reasons of axial offset appearing at same time would reduce the unit allowable value.

Order No.	d ₁ tol. h8	d ₂ tol. h8	d ₃	d ₄	l ₁	l ₂	l ₃	w ₁
R3007.A-4-4	4	4	12	2	14	5.2	2.6	4
R3007.A-4-5	4	5	12	2	14	5.2	2.6	4
R3007.A-5-5	5	5	12	2	14	5.2	2.6	4
R3007.B-5-5	5	5	16	2.5	18	6.8	3.4	5
R3007.B-5-6	5	6	16	2.5	18	6.8	3.4	5
R3007.B-6-6	6	6	16	2.5	18	6.8	3.4	5
R3007.C-5-6	5	6	20	2.5	20	7.65	3.8	6.5
R3007.C-5-7	5	7	20	2.5	20	7.65	3.8	6.5
R3007.C-5-8	5	8	20	2.5	20	7.65	3.8	6.5
R3007.C-6-6	6	6	20	2.5	20	7.65	3.8	6.5
R3007.C-6-7	6	7	20	2.5	20	7.65	3.8	6.5
R3007.C-6-8	6	8	20	2.5	20	7.65	3.8	6.5
R3007.C-8-8	8	8	20	2.5	20	7.65	3.8	6.5
R3007.D-5-6	5	6	25	3	25	9.6	4.8	9
R3007.D-6-6	6	6	25	3	25	9.6	4.8	9
R3007.D-6-8	6	8	25	3	25	9.6	4.8	9
R3007.D-6-10	6	10	25	3	25	9.6	4.8	9
R3007.D-8-8	8	8	25	3	25	9.6	4.8	9
R3007.D-8-10	8	10	25	3	25	9.6	4.8	9
R3007.D-10-10	10	10	25	3	25	9.6	4.8	9
R3007.E-8-8	8	8	32	4	32	12.6	6.3	11
R3007.E-8-10	8	10	32	4	32	12.6	6.3	11
R3007.E-10-10	10	10	32	4	32	12.6	6.3	11
R3007.E-10-12	10	12	32	4	32	12.6	6.3	11
R3007.E-10-14	10	14	32	4	32	12.6	6.3	11
R3007.E-12-12	12	12	32	4	32	12.6	6.3	11
R3007.E-12-14	12	14	32	4	32	12.6	6.3	11



R3008



Material

Stainless steel, SUS303

Technical Notes

Zero backlash.

The flexure allowed by the beam portion of the coupling is capable of accommodating

parallel, angular and axial misalignment. High wrench torque rigidity and sensitivity. Rotation character of clockwise or anti-clockwise are exactly the same. Free maintenance, oil-resist and anti-

corrosiveness. Offset of angular, parallel or axial deviation are individual allowed value, so couple reasons of axial offset appearing at the same time would reduce unit allowable value.

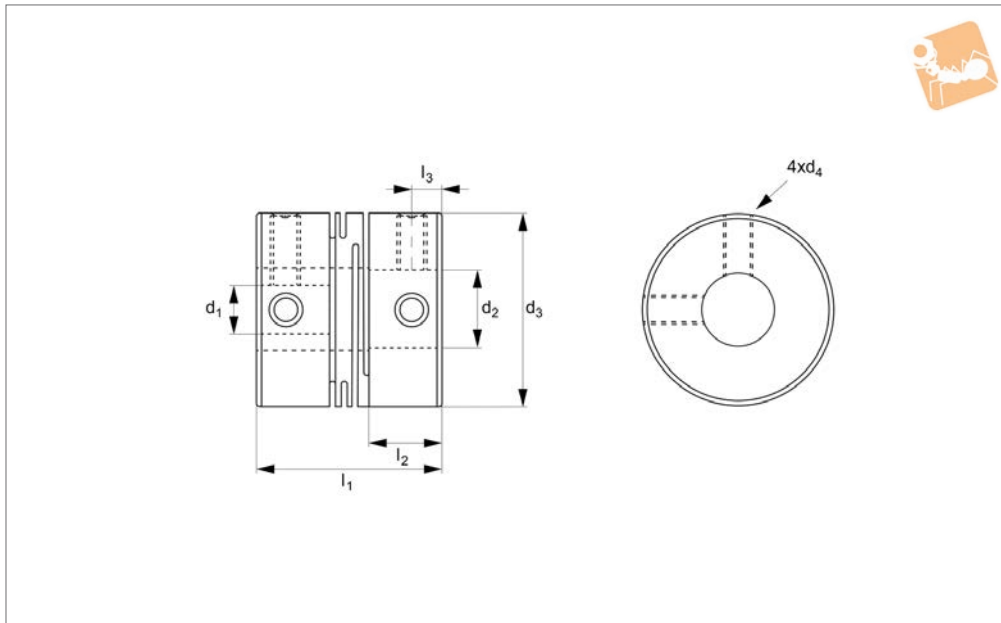
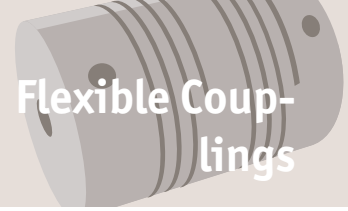
Order No.	d ₁ tol. h8	d ₂ tol. h8	d ₃	d ₄	l ₁	l ₂	l ₃
R3008.A-2-2	2	2	8	M2	10	3.4	1.7
R3008.A-3-3	3	3	8	M2	10	3.4	1.7
R3008.B-4-4	4	4	12	M2,5	14	5.2	2.5
R3008.B-4-5	4	5	12	M2,5	14	5.2	2.5
R3008.B-5-5	5	5	12	M2,5	14	5.2	2.5
R3008.C-5-5	5	5	16	M3	18	6.8	3
R3008.C-5-6	5	6	16	M3	18	6.8	3
R3008.C-6-6	6	6	16	M3	18	6.8	3
R3008.D-5-6	5	6	20	M3	20	7.65	3
R3008.D-5-7	5	7	20	M3	20	7.65	3
R3008.D-5-8	5	8	20	M3	20	7.65	3
R3008.D-6-6	6	6	20	M3	20	7.65	3
R3008.D-6-7	6	7	20	M3	20	7.65	3
R3008.D-6-8	6	8	20	M3	20	7.65	3
R3008.D-8-8	8	8	20	M3	20	7.65	3
R3008.E-5-6	5	6	25	M4	25	9.6	4
R3008.E-6-6	6	6	25	M4	25	9.6	4
R3008.E-6-8	6	8	25	M4	25	9.6	4
R3008.E-6-10	6	10	25	M4	25	9.6	4
R3008.E-8-8	8	8	25	M4	25	9.6	4
R3008.E-8-10	8	10	25	M4	25	9.6	4
R3008.E-10-10	10	10	25	M4	25	9.6	4
R3008.F-8-8	8	8	32	M4	32	12.6	6
R3008.F-8-10	8	10	32	M4	32	12.6	6
R3008.F-10-10	10	10	32	M4	32	12.6	6
R3008.F-10-12	10	12	32	M4	32	12.6	6
R3008.F-12-12	12	12	32	M4	32	12.6	6
R3008.F-12-14	12	14	32	M4	32	12.6	6



Spiral Beam Coupling - Aluminium

set screw - short type

Flexible Couplings



R3009.1

FLEXIBLE COUPLINGS

Material

Anodized aluminium AL7075

Technical Notes

Zero backlash.

The flexure allowed by the beam portion of the coupling is capable of accommodating

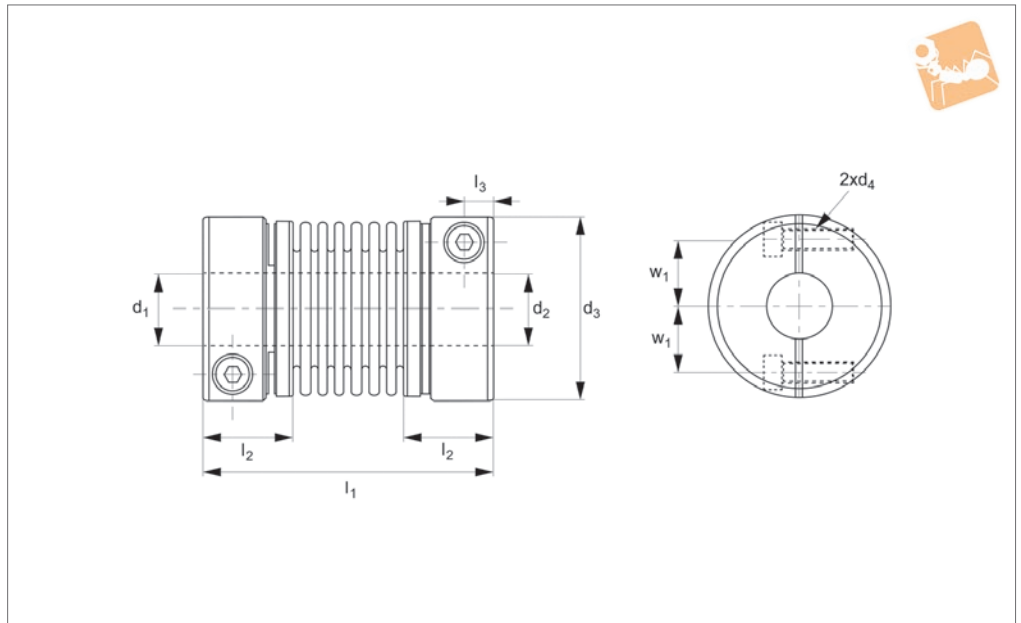
parallel, angular and axial misalignment. High wrench torque rigidity and sensitivity. Rotation character of clockwise or anti-clockwise are exactly the same. Free maintenance, oil-resist and anti-

corrosiveness. Offset of angular, parallel or axial deviation are individual allowed value, so couple reasons of axial offset appearing at the same time would reduce unit allowable value.

Order No.	d ₁ tol. h8	d ₂ tol. h8	d ₃	d ₄	l ₁	l ₂	l ₃
R3009.A-2-2	2	2	8	M2	10	3.4	1.7
R3009.A-3-3	3	3	8	M2	10	3.4	1.7
R3009.B-4-4	4	4	12	M2,5	14	5.2	2.5
R3009.B-4-5	4	5	12	M2,5	14	5.2	2.5
R3009.B-5-5	5	5	12	M2,5	14	5.2	2.5
R3009.C-5-5	5	5	16	M3	18	6.8	3
R3009.C-5-6	5	6	16	M3	18	6.8	3
R3009.C-6-6	6	6	16	M3	18	6.8	3
R3009.D-5-6	5	6	20	M3	20	7.65	3
R3009.D-5-7	5	7	20	M3	20	7.65	3
R3009.D-5-8	5	8	20	M3	20	7.65	3
R3009.D-6-6	56	6	20	M3	20	7.65	3
R3009.D-6-7	6	7	20	M3	20	7.65	3
R3009.D-6-8	6	8	20	M3	20	7.65	3
R3009.D-8-8	8	8	20	M3	20	7.65	3
R3009.E-5-6	5	6	25	M4	25	9.6	4
R3009.E-6-6	6	6	25	M4	25	9.6	4
R3009.E-6-8	6	8	25	M4	25	9.6	4
R3009.E-6-10	6	10	25	M4	25	9.6	4
R3009.E-8-8	8	8	25	M4	25	9.6	4
R3009.E-8-10	8	10	25	M4	25	9.6	4
R3009.E-10-10	10	10	25	M4	25	9.6	4
R3009.F-8-8	8	8	32	M4	32	12.6	6
R3009.F-8-10	8	10	32	M4	32	12.6	6
R3009.F-10-10	10	10	32	M4	32	12.6	6
R3009.F-10-12	10	12	32	M4	32	12.6	6
R3009.F-12-12	12	12	32	M4	32	12.6	6
R3009.F-12-14	12	14	32	M4	32	12.6	6



R3010.1



Material

Mainframe: Stainless steel SUS303
Bellows: Stainless steel SUS316

Technical Notes

Individual misalignment values permitted

in an angular, parallel or axial directions are shown in the table below. Misalignment occurring in two or more directions simultaneously will reduce these values by half.

Tips

Other combinations of d_1 and d_2 available on request.

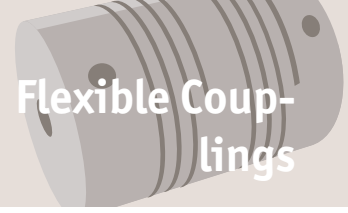
Order No.	d_1 & d_2 tol. h8	d_3	d_4	l_1	l_2	l_3	w	Allowable misalignment (angular) °	Allowable misalignment (axial) mm	Weight g
R3010.012-04-04	4	12	M 2	23.5	7.5	2.3	4	1.5	+0,4 -1,2	9
R3010.012-05-05	5	12	M 2	23.5	7.5	2.3	4	1.5	+0,4 -1,2	9
R3010.016-04-04	4	16	M2,5	26.5	9	3	5	1.5	+0,4 -1,2	22
R3010.016-05-05	5	16	M2,5	26.5	9	3	5	1.5	+0,4 -1,2	22
R3010.016-06-06	6	16	M2,5	26.5	9	3	5	1.5	+0,4 -1,2	22
R3010.020-05-05	5	20	M2,5	32.0	10	3.5	6.5	2.0	+0,6 -1,8	38
R3010.020-06-06	6	20	M2,5	32.0	10	3.5	6.5	2.0	+0,6 -1,8	38
R3010.020-08-08	8	20	M2,5	32.0	10	3.5	6.5	2.0	+0,6 -1,8	38
R3010.025-06-06	6	25	M 3	36.5	12	4.5	9	2.0	+0,6 -1,8	74
R3010.025-08-08	8	25	M 3	36.5	12	4.5	9	2.0	+0,6 -1,8	74
R3010.025-10-10	10	25	M 3	36.5	12	4.5	9	2.0	+0,6 -1,8	74
R3010.032-08-08	8	32	M 4	42.0	13.5	5	11	2.0	+0,8 -2,5	130
R3010.032-10-10	10	32	M 4	42.0	13.5	5	11	2.0	+0,8 -2,5	130
R3010.032-12-12	12	32	M 4	42.0	13.5	5	11	2.0	+0,8 -2,5	130
R3010.032-14-14	14	32	M 4	42.0	13.5	5	11	2.0	+0,8 -2,5	130

Order No.	Allowable misalignment (parallel) mm	Allowable wrench torque Nm	Clamping screw lock torque Nm	Moment of inertia kg·m ²	rpm max.	Static torsional stiff- ness Nm/rad
R3010.012-04-04	0.10	0.5	0.5	2,1x10 ⁻⁷	130 00	100
R3010.012-05-05	0.10	0.5	0.5	2,1x10 ⁻⁷	130 00	100
R3010.016-04-04	0.10	1.0	1.0	8,1x10 ⁻⁷	9500	150
R3010.016-05-05	0.10	1.0	1.0	8,1x10 ⁻⁷	9500	150
R3010.016-06-06	0.10	1.0	1.0	8,1x10 ⁻⁷	9500	150
R3010.020-05-05	0.15	1.5	1.0	2,3x10 ⁻⁶	7700	220



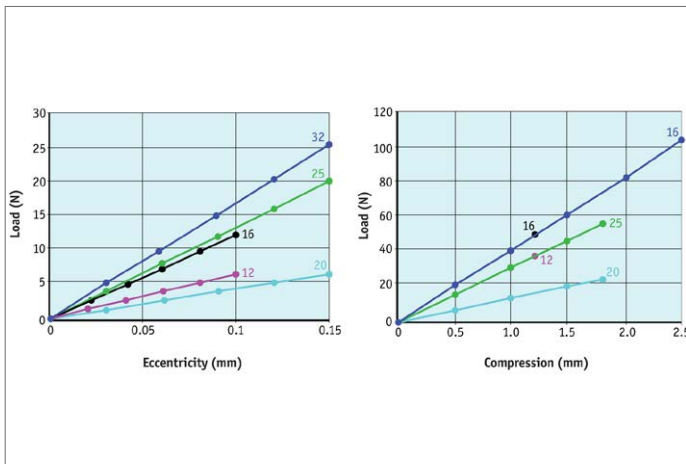
Bellows Coupling - Stainless steel clamp fixing

Flexible Couplings



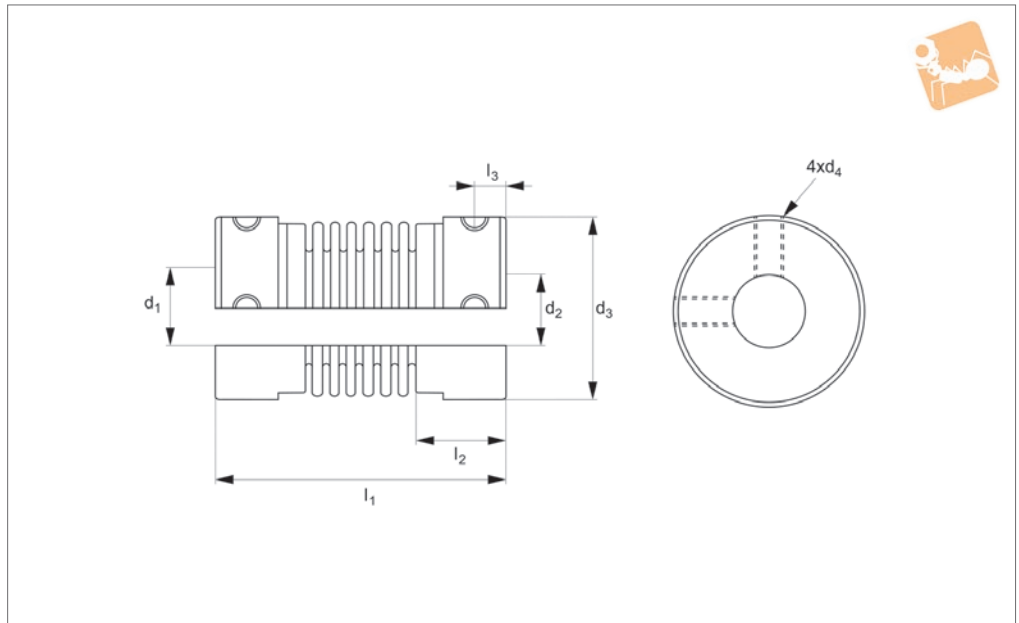
Order No.	Allowable misalignment (parallel) mm	Allowable wrench torque Nm	Clamping screw lock torque Nm	Moment of inertia kg·m ²	rpm max.	Static torsional stiffness Nm/rad
R3010.020-06-06	0.15	1.5	1.0	2,3x10 ⁻⁶	7700	220
R3010.020-08-08	0.15	1.5	1.0	2,3x10 ⁻⁶	7700	220
R3010.025-06-06	0.15	2.0	1.5	6,9x10 ⁻⁶	6100	330
R3010.025-08-08	0.15	2.0	1.5	6,9x10 ⁻⁶	6100	330
R3010.025-10-10	0.15	2.0	1.5	6,9x10 ⁻⁶	6100	330
R3010.032-08-08	0.20	3.0	2.5	2,1x10 ⁻⁵	4800	490
R3010.032-10-10	0.20	3.0	2.5	2,1x10 ⁻⁵	4800	490
R3010.032-12-12	0.20	3.0	2.5	2,1x10 ⁻⁵	4800	490
R3010.032-14-14	0.20	3.0	2.5	2,1x10 ⁻⁵	4800	490

FLEXIBLE COUPLINGS





R3011



Material

Mainframe: Stainless steel SUS303
Bellows: Stainless steel SUS316

tion are individual allowed value, so couple reasons of axial offset appearing at same time would reduce the unit allowable value.

Technical Notes

Offset of angular, parallel or axial devia-

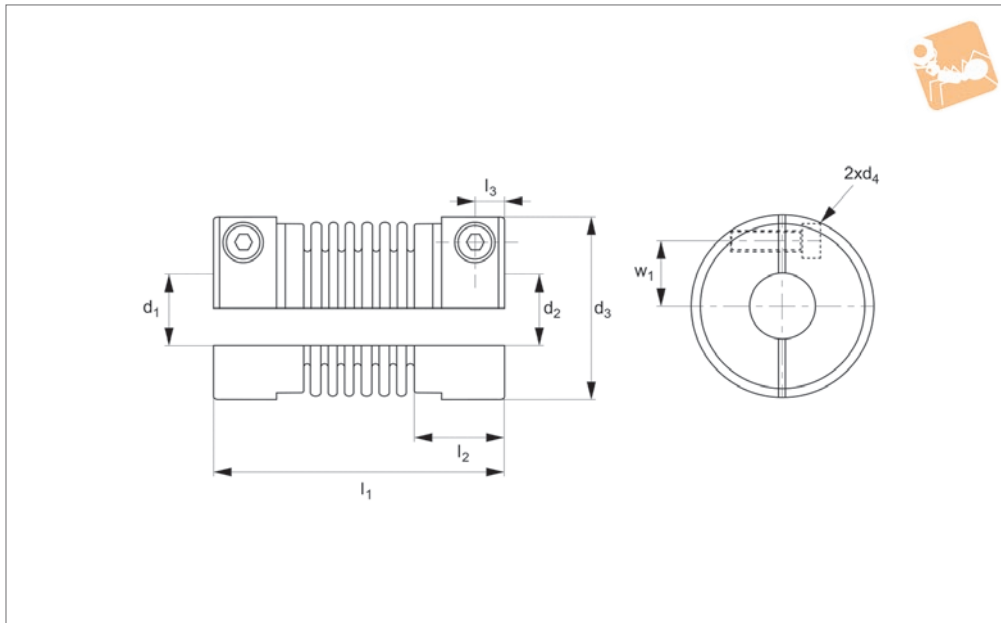
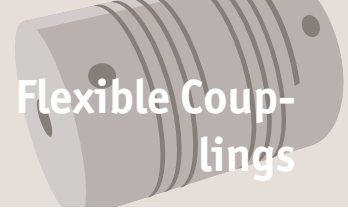
Order No.	d_1 & d_2 tol. h8	d_3	d_4	l_1	l_2	l_3	Clamping screw lock torque Nm
R3011.A-3	3	12	M2,5	23.5	7.5	2.5	0.5
R3011.A-4	4	12	M2,5	23.5	7.5	2.5	0.5
R3011.A-5	5	12	M2,5	23.5	7.5	2.5	0.5
R3011.A-6	6	12	M2,5	23.5	7.5	2.5	0.5
R3011.B-4	4	16	M3	26.5	9	3	0.7
R3011.B-5	5	16	M3	26.5	9	3	0.7
R3011.B-6	6	16	M3	26.5	9	3	0.7
R3011.B-8	8	16	M3	26.5	9	3	0.7
R3011.C-5	5	20	M3	32	10	3.5	0.7
R3011.C-6	6	20	M3	32	10	3.5	0.7
R3011.C-8	8	20	M3	32	10	3.5	0.7
R3011.C-10	10	20	M3	32	10	3.5	0.7
R3011.D-6	6	25	M4	36.5	12	4.5	1.7
R3011.D-8	8	25	M4	36.5	12	4.5	1.7
R3011.D-10	10	25	M4	36.5	12	4.5	1.7
R3011.D-12	12	25	M4	36.5	12	4.5	1.7
R3011.E-6	6	32	M4	42	13.5	5.5	1.7
R3011.E-8	8	32	M4	42	13.5	5.5	1.7
R3011.E-10	10	32	M4	42	13.5	5.5	1.7
R3011.E-12	12	32	M4	42	13.5	5.5	1.7
R3011.E-14	14	32	M4	42	13.5	5.5	1.7



Bellows Coupling

Aluminium with Phosphor Bronze

Flexible Couplings



R3012

FLEXIBLE COUPLINGS

Material

Mainframe: Anodized aluminium AL 7075
Bellows: Phosphor bronze C5191

tion are individual allowed value, so couple reasons of axial offset appearing at same time would reduce the unit allowable value.

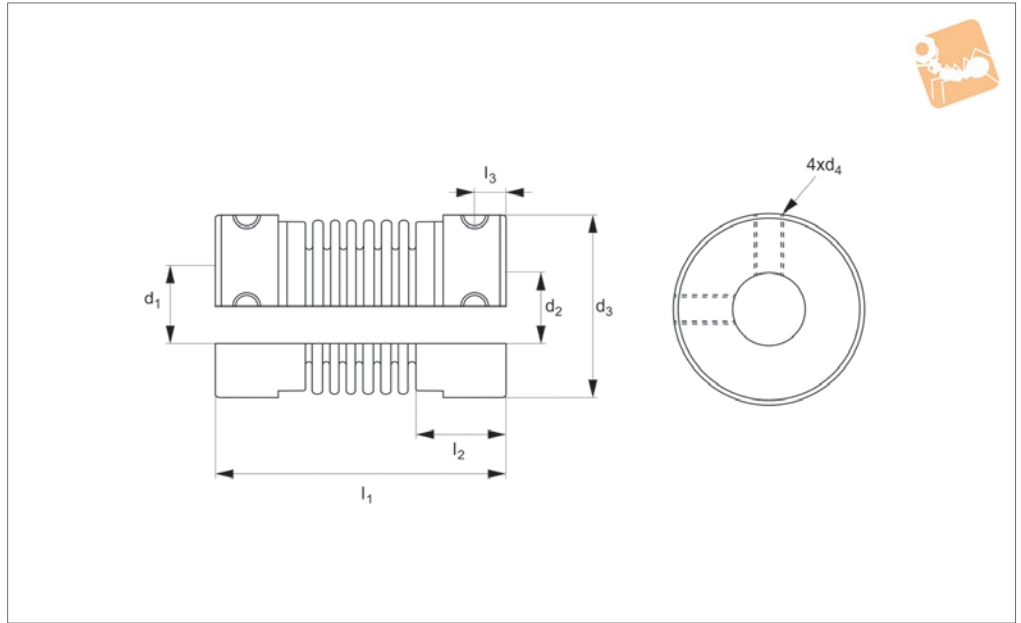
Technical Notes

Offset of angular, parallel or axial devia-

Order No.	d_1 & d_2 tol. h8	d_3	d_4	l_1	l_2	l_3	w	Clamping screw lock torque Nm
R3012.A-4	4	12	M2	23.5	7.5	2.3	4	0.5
R3012.A-5	5	12	M2	23.5	7.5	2.3	4	0.5
R3012.B-4	4	16	M2,5	26.5	9	3	5	1
R3012.B-5	5	16	M2,5	26.5	9	3	5	1
R3012.B-6	6	16	M2,5	26.5	9	3	5	1
R3012.C-5	5	20	M2,5	32	10	3.5	6.5	1
R3012.C-6	6	20	M2,5	32	10	3.5	6.5	1
R3012.C-8	8	20	M2,5	32	10	3.5	6.5	1
R3012.D-6	6	25	M3	36.5	12	4.5	9	1.5
R3012.D-8	8	25	M3	36.5	12	4.5	9	1.5
R3012.D-10	10	25	M3	36.5	12	4.5	9	1.5
R3012.E-8	8	32	M4	42	13.5	5	11	2.5
R3012.E-10	10	32	M4	42	13.5	5	11	2.5
R3012.E-12	12	32	M4	42	13.5	5	11	2.5
R3012.E-14	14	32	M4	42	13.5	5	11	2.5



R3013



Material

Mainframe: Anodized aluminium AL 7075
 Bellows: Phosphor bronze C5191

tion are individual allowed value, so couple reasons of axial offset appearing at same time would reduce the unit allowable value.

Technical Notes

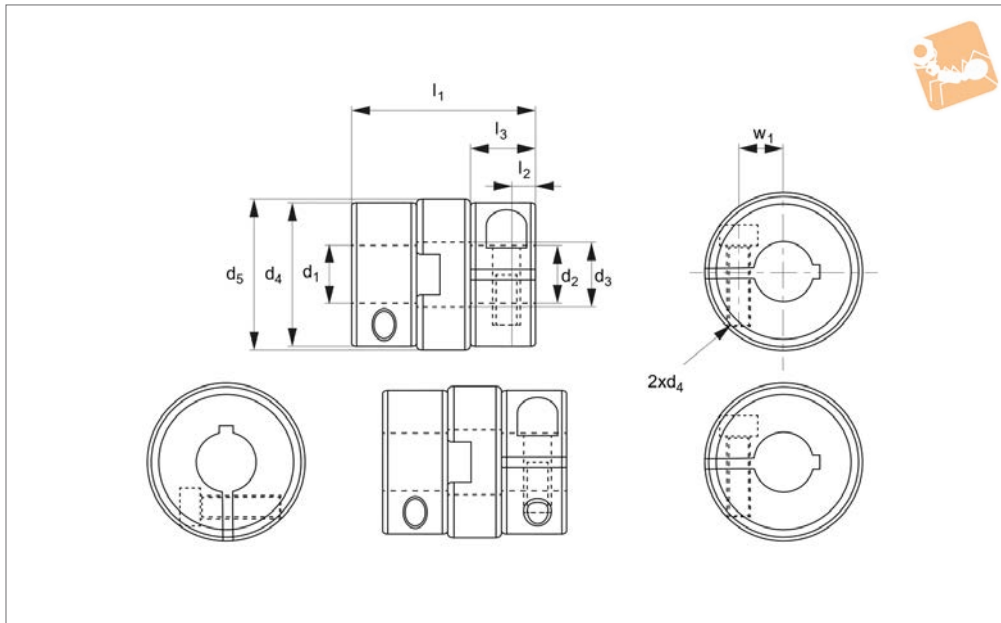
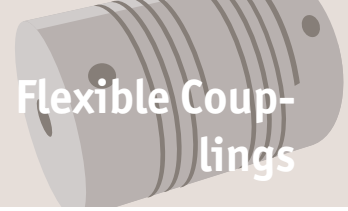
Offset of angular, parallel or axial devia-

Order No.	d_1 & d_2 tol. h8	d_3	d_4	l_1	l_2	l_3	Clamping screw lock torque Nm
R3013.A-3	3	12	M2,5	23.5	7.5	2.5	0.5
R3013.A-4	4	12	M2,5	23.5	7.5	2.5	0.5
R3013.A-5	5	12	M2,5	23.5	7.5	2.5	0.5
R3013.A-6	6	12	M2,5	23.5	7.5	2.5	0.5
R3013.B-4	4	16	M3	26.5	9	3	0.7
R3013.B-5	5	16	M3	26.5	9	3	0.7
R3013.B-6	6	16	M3	26.5	9	3	0.7
R3013.B-8	8	16	M3	26.5	9	3	0.7
R3013.C-5	5	20	M3	32	10	3.5	0.7
R3013.C-6	6	20	M3	32	10	3.5	0.7
R3013.C-8	8	20	M3	32	10	3.5	0.7
R3013.C-10	10	20	M3	32	10	3.5	0.7
R3013.D-6	6	25	M4	36.5	12	4.5	1.7
R3013.D-8	8	25	M4	36.5	12	4.5	1.7
R3013.D-10	10	25	M4	36.5	12	4.5	1.7
R3013.D-12	12	25	M4	36.5	12	4.5	1.7
R3013.E-6	6	32	M4	42	13.5	5.5	1.7
R3013.E-8	8	32	M4	42	13.5	5.5	1.7
R3013.E-10	10	32	M4	42	13.5	5.5	1.7
R3013.E-12	12	32	M4	42	13.5	5.5	1.7
R3013.E-14	14	32	M4	42	13.5	5.5	1.7



Oldham Coupling with Aluminium Bronze Insert

Flexible Couplings



R3052

FLEXIBLE COUPLINGS

Material

Mainframe: Stainless steel alloy SUS304
Insert: Aluminium bronze (filled with solid lubricant)

individual allowed value, so couple reasons of axial offset appearing at same time would reduce the unit allowable value.

Suit for high wrench torque, high rotation. In case of parallel deviation over 0,1, abra-

sion of the insert is direct ratio to load torque, offset and rotation numbers. Available options for key way inner diameter is bigger than 6mm.

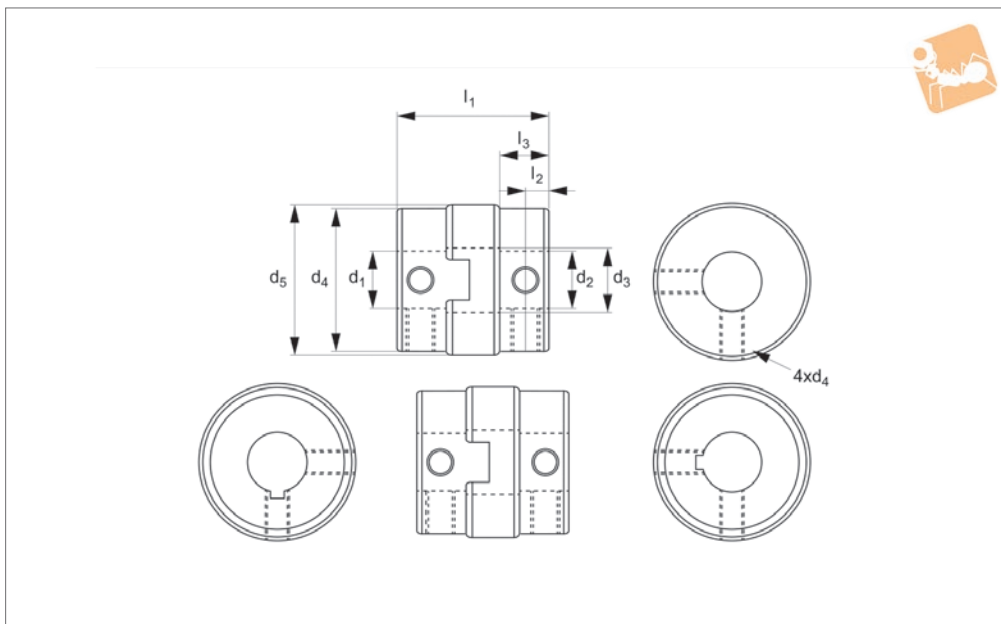
Technical Notes

Offset of angular or axial deviation are

Order No.	∅ d	d ₁ & d ₂	d ₃	d ₄	d ₅	l ₁	l ₂	l ₃	w	Clamping screw lock torque Nm	Clamping screw d ₆
R3052.A-4	15	4	7.2	14.5	15	18.4	3.2	6.6	4.5	1.0	M2,5
R3052.A-5	15	5	7.2	14.5	15	18.4	3.2	6.6	4.5	1.0	M2,5
R3052.A-6	15	6	7.2	14.5	15	18.4	3.2	6.6	4.5	1.0	M2,5
R3052.B-5	17	5	8.2	16.8	17.5	24.4	4	9	5	1.8	M 3
R3052.B-6	17	6	8.2	16.8	17.5	24.4	4	9	5	1.8	M 3
R3052.C-6	20	6	9	20	21	27.2	4.5	10	7	1.8	M 3
R3052.C-7	20	7	9	20	21	27.2	4.5	10	7	1.8	M 3
R3052.C-8	20	8	9	20	21	27.2	4.5	10	7	1.8	M 3
R3052.C-10	20	10	9	20	21	27.2	4.5	10	7	1.8	M 3
R3052.D-6	26	6	12	26	27	30.4	5	11.5	8.4	3.0	M 4
R3052.D-7	26	7	12	26	27	30.4	5	11.5	8.4	3.0	M 4
R3052.D-8	26	8	12	26	27	30.4	5	11.5	8.4	3.0	M 4
R3052.D-10	26	10	12	26	27	30.4	5	11.5	8.4	3.0	M 4
R3052.D-11	26	11	12	26	27	30.4	5	11.5	8.4	3.0	M 4
R3052.E-8	30	8	14	30	31	33	6	12	9	4.5	M 4
R3052.E-10	30	10	14	30	31	33	6	12	9	4.5	M 4
R3052.E-12	30	12	14	30	31	33	6	12	9	4.5	M 4
R3052.E-14	30	14	14	30	31	33	6	12	9	4.5	M 4
R3052.F-10	34	10	17	34	35	34	6	13	11	8.0	M 5
R3052.F-11	34	11	17	34	35	34	6	13	11	8.0	M 5
R3052.F-12	34	12	17	34	35	34	6	13	11	8.0	M 5
R3052.F-14	34	14	17	34	35	34	6	13	11	8.0	M 5
R3052.F-15	34	15	17	34	35	34	6	13	11	8.0	M 5
R3052.F-16	34	16	17	34	35	34	6	13	11	8.0	M 5
R3052.G-10	38	10	17	38	41	39.5	7	15	13.7	8.0	M 5
R3052.G-12	38	12	17	38	41	39.5	7	15	13.7	8.0	M 5
R3052.G-14	38	14	17	38	41	39.5	7	15	13.7	8.0	M 5
R3052.G-15	38	15	17	38	41	39.5	7	15	13.7	8.0	M 5
R3052.G-16	38	16	17	38	41	39.5	7	15	13.7	8.0	M 5
R3052.G-18	38	18	17	38	41	39.5	7	15	13.7	8.0	M 5
R3052.G-20	38	20	17	38	41	39.5	7	15	13.7	8.0	M 5



R3053.1



Material

Mainframe: Stainless steel alloy SUS304
Insert: Aluminium bronze (filled with solid lubricant)

Technical Notes

Offset of angular or axial deviation are

individual allowed value, so couple reasons of axial offset appearing at same time would reduce the unit allowable value.

Suit for high wrench torque, high rotation. In case of parallel deviation over 0,1, abra-

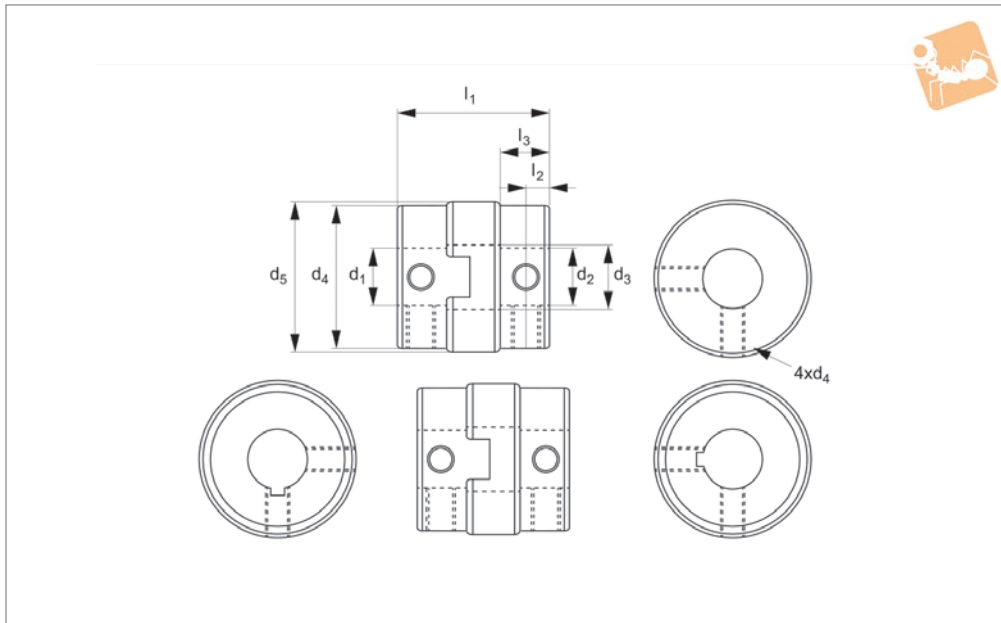
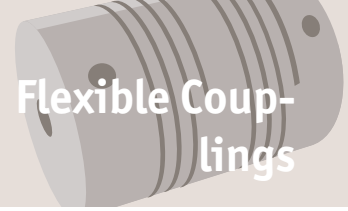
sion of the insert is direct ratio to load torque, offset and rotation numbers. Available options for key way inner diameter is bigger than 6mm.

Order No.	Dia. Ø nom.	d ₁ & d ₂	d ₃	d ₄	d ₅	l ₁	l ₂	l ₃	Clamping screw lock torque Nm	Clamping screw d ₆
R3053.A-4	15	4	7.2	14.5	15	16	2.6	5.4	0.7	M 3
R3053.A-5	15	5	7.2	14.5	15	16	2.6	5.4	0.7	M 3
R3053.A-6	15	6	7.2	14.5	15	16	2.6	5.4	0.7	M 3
R3053.A-7	15	7	7.2	14.5	15	16	2.6	5.4	0.7	M 3
R3053.A-8	15	8	7.2	14.5	15	16	2.6	5.4	0.7	M 3
R3053.B-5	17	5	8.2	16.8	17.5	19.8	3.2	6.7	117	M 4
R3053.B-6	17	6	8.2	16.8	17.5	19.8	3.2	6.7	117	M 4
R3053.B-7	17	7	8.2	16.8	17.5	19.8	3.2	6.7	117	M 4
R3053.B-8	17	8	8.2	16.8	17.5	19.8	3.2	6.7	117	M 4
R3053.C-6	20	6	9	20	21	21.6	3.4	7	1.7	M 4
R3053.C-7	20	7	9	20	21	21.6	3.4	7	1.7	M 4
R3053.C-8	20	8	9	20	21	21.6	3.4	7	1.7	M 4
R3053.C-10	20	10	9	20	21	21.6	3.4	7	1.7	M 4
R3053.C-11	20	11	9	20	21	21.6	3.4	7	1.7	M 4
R3053.C-12	20	12	9	20	21	21.6	3.4	7	1.7	M 4
R3053.D-6	26	6	12	26	27	25.6	4	9	1.7	M 4
R3053.D-7	26	7	12	26	27	25.6	4	9	1.7	M 4
R3053.D-8	26	8	12	26	27	25.6	4	9	1.7	M 4
R3053.D-10	26	10	12	26	27	25.6	4	9	1.7	M 4
R3053.D-11	26	11	12	26	27	25.6	4	9	1.7	M 4
R3053.D-12	26	12	12	26	27	25.6	4	9	1.7	M 4
R3053.D-14	26	14	12	26	27	25.6	4	9	1.7	M 4



Oldham Coupling with Aluminium Bronze Insert

Flexible Couplings



R3053.2

FLEXIBLE COUPLINGS

Material

Mainframe: Stainless steel alloy SUS304
Insert: Aluminium bronze (filled with solid lubricant)

Technical Notes

Offset of angular or axial deviation are

individual allowed value, so couple reasons of axial offset appearing at same time would reduce the unit allowable value.

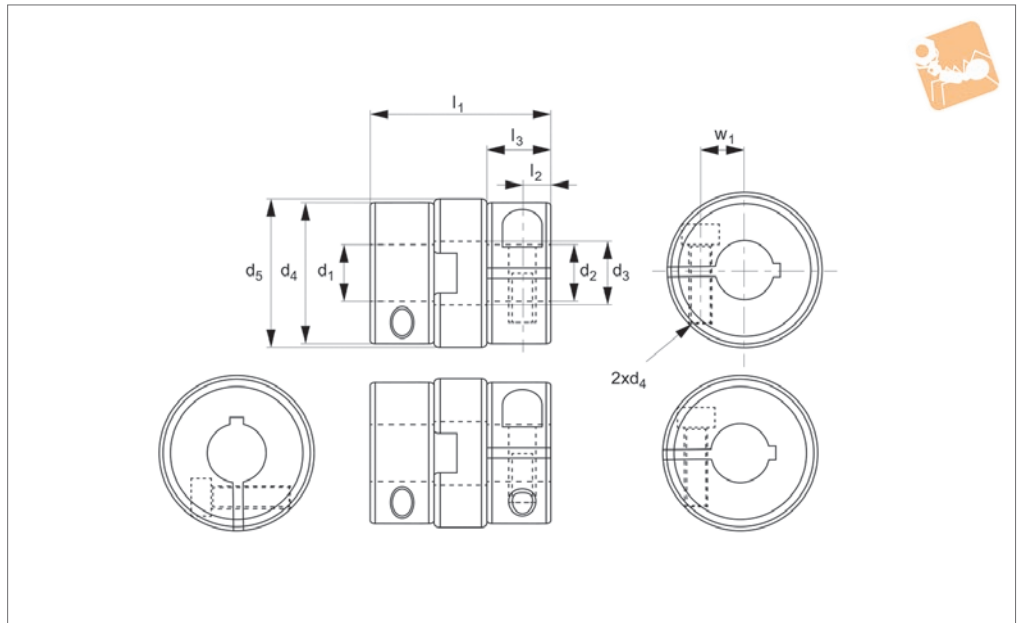
Suit for high wrench torque, high rotation. In case of parallel deviation over 0,1, abra-

sion of the insert is direct ratio to load torque, offset and rotation numbers. Available options for key way inner diameter is bigger than 6mm.

Order No.	Ø d	d ₁ & d ₂	d ₃	d ₄	d ₅	l ₁	l ₂	l ₃	Clamping screw lock torque Nm	Clamping screw d ₆
R3053.E-8	30	8	14	30	31	33	6	12	1.7	M 4
R3053.E-10	30	10	14	30	31	33	6	12	1.7	M 4
R3053.E-12	30	12	14	30	31	33	6	12	1.7	M 4
R3053.E-14	30	14	14	30	31	33	6	12	1.7	M 4
R3053.F-10	34	10	14	34	35	34	5.5	13	4.0	M 5
R3053.F-11	34	11	14	34	35	34	5.5	13	4.0	M 5
R3053.F-12	34	10	14	34	35	34	5.5	13	4.0	M 5
R3053.F-14	34	14	14	34	35	34	5.5	13	4.0	M 5
R3053.F-15	34	15	14	34	35	34	5.5	13	4.0	M 5
R3053.F-16	34	16	14	34	35	34	5.5	13	4.0	M 5
R3053.G-10	38	10	17	38	41	39.5	7	15	4	M 5
R3053.G-12	38	12	17	38	41	39.5	7	15	4	M 5
R3053.G-14	38	14	17	38	41	39.5	7	15	4	M 5
R3053.G-15	38	15	17	38	41	39.5	7	15	4	M 5
R3053.G-16	38	16	17	38	41	39.5	7	15	4	M 5
R3053.G-18	38	18	17	38	41	39.5	7	15	4	M 5
R3053.G-20	38	20	17	38	41	39.5	7	15	4	M 5



R3054.1



Material

Mainframe: Stainless steel alloy SUS304.
Insert: Carbon resin.

Technical Notes

Operating temperature -40° - 90° C.

Offset of angular, parallel or axial deviation are individual allowed value, so couple reasons of axial offset appearing at same time would reduce the unit allowable value.

R3054 lock torque of clamping screw is $5,4 < Nm$ based on shaft dia ($\varnothing d_1, \varnothing d_2$) over $\varnothing 16$.

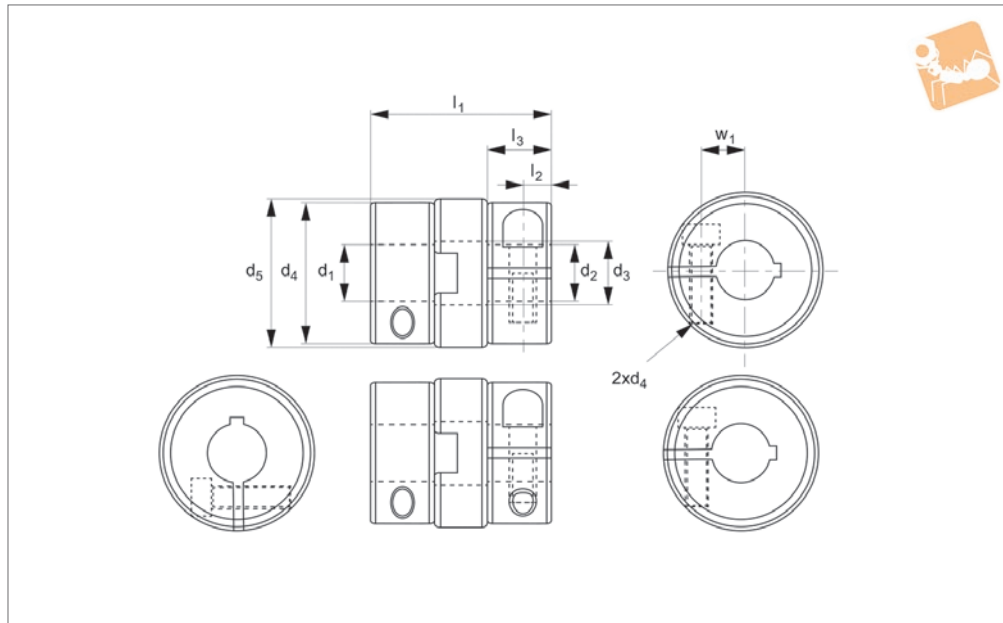
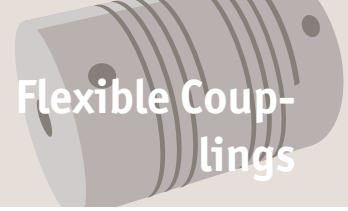
Available options for key way per inner diameter is bigger than 6mm.

Order No.	$\varnothing d$	d_1 & d_2	d_2	d_3	d_4	d_5	l_1	l_2	l_3	w	Clamping screw lock torque Nm	Clamping screw d_6
R3054.A-4	15	4	16	5.0	14.5	15	18.4	3.2	6.6	4.5	1.0	M2,5
R3054.A-5	15	5	16	5.0	14.5	15	18.4	3.2	6.6	4.5	1.0	M2,5
R3054.A-6	15	6	16	5.0	14.5	15	18.4	3.2	6.6	4.5	1.0	M2,5
R3054.B-5	17	5	19	7.2	16.8	17.5	24.4	4	9	5	1.8	M 3
R3054.B-6	17	6	19	7.2	16.8	17.5	24.4	4	9	5	1.8	M 3
R3054.C-6	20	6	23	8.2	20	21	27.2	4.5	10	7	1.8	M 3
R3054.C-7	20	7	23	8.2	20	21	27.2	4.5	10	7	1.8	M 3
R3054.C-8	20	8	23	8.2	20	21	27.2	4.5	10	7	1.8	M 3
R3054.C-10	20	10	23	8.2	20	21	27.2	4.5	10	7	1.8	M 3
R3045.D-6	26	6	29	12	26	27	30.4	5	11.5	8.4	3.0	M 4
R3045.D-7	26	7	29	12	26	27	30.4	5	11.5	8.4	3.0	M 4
R3045.D-8	26	8	29	12	26	27	30.4	5	11.5	8.4	3.0	M 4
R3045.D-10	26	10	29	12	26	27	30.4	5	11.5	8.4	3.0	M 4
R3045.D-11	26	11	29	12	26	27	30.4	5	11.5	8.4	3.0	M 4
R3045.D-12	26	12	29	12	26	27	30.4	5	11.5	8.4	3.0	M 4



Oldham Coupling with Carbon Resin Insert

Flexible Couplings



R3054.2

FLEXIBLE COUPLINGS

Material

Mainframe: Stainless steel alloy SUS304.
Insert: Carbon resin.

Technical Notes

Operating temperature $L -40^{\circ} - 90^{\circ}C$.

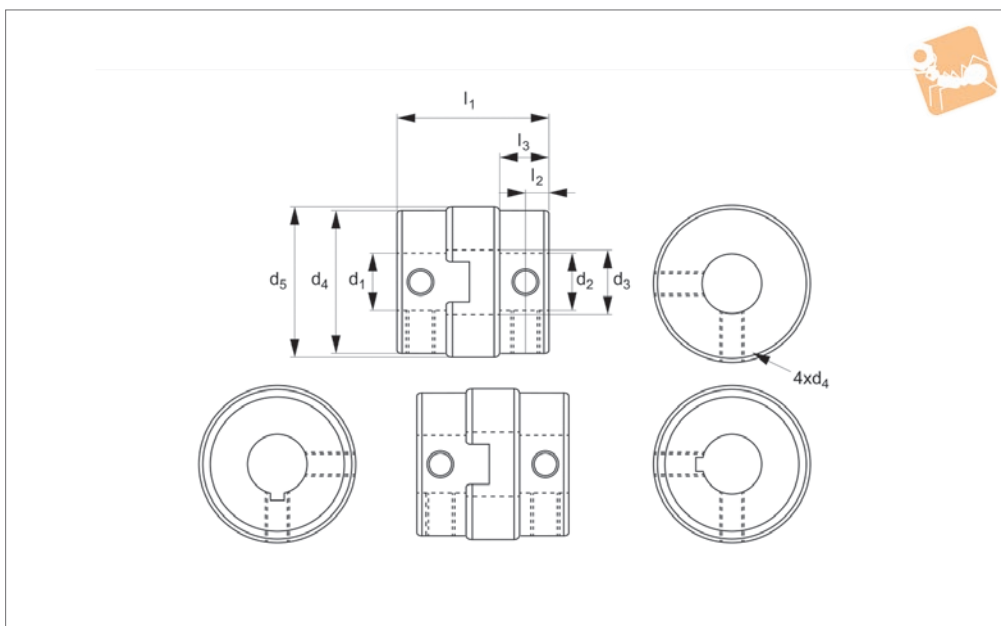
Offset of angular, parallel or axial deviation are individual allowed value, so couple reasons of axial offset appearing at same time would reduce the unit allowable value.

R3054 lock torque of clamping screw is 5,4<Nm) based on shaft dia ($\varnothing d1, \varnothing d2$) over $\varnothing 16$.
Available options for key way per inner diameter is bigger than 6mm.

Order No.	$\varnothing d$	d_1 & d_2	d_2	d_3	d_4	d_5	l_1	l_2	l_3	w	Clamping screw lock torque Nm	Clamping screw d_6
R3054.E-8	30	8	32	13	30	31	33	6	12	9	4.5	M 5
R3054.E-10	30	10	32	13	30	31	33	6	12	9	4.5	M 5
R3054.E-12	30	12	32	13	30	31	33	6	12	9	4.5	M 5
R3054.E-14	30	14	32	13	30	31	33	6	12	9	4.5	M 5
R3054.F-10	34	10	37	13	34	35	34	6	13	11	8.0	M 5
R3054.F-11	34	11	37	13	34	35	34	6	13	11	8.0	M 5
R3054.F-12	34	12	37	13	34	35	34	6	13	11	8.0	M 5
R3054.F-14	34	14	37	13	34	35	34	6	13	11	8.0	M 5
R3054.F-15	34	15	37	13	34	35	34	6	13	11	8.0	M 5
R3054.F-16	34	16	37	13	34	35	34	6	13	11	8.0	M 5
R3054.G-10	38	10	41	17	38	41	40	7	15	13.7	8.0	M 5
R3054.G-12	38	12	41	17	38	41	40	7	15	13.7	8.0	M 5
R3054.G-14	38	14	41	17	38	41	40	7	15	13.7	8.0	M 5
R3054.G-15	38	15	41	17	38	41	40	7	15	13.7	8.0	M 5
R3054.G-16	38	16	41	17	38	41	40	7	15	13.7	8.0	M 5
R3054.G-18	38	18	41	17	38	41	40	7	15	13.7	8.0	M 5
R3054.G-20	38	20	41	17	38	41	40	7	15	13.7	8.0	M 5



R3055.1



Material

Mainframe: Stainless steel alloy SUS304.
Insert: Carbon resin.

Offset of angular, parallel, or axial deviation are individual allowed value, so couple reasons of axial offset appearing at same time would reduce the unit allowable value.

Available options for key way per inner diameter is bigger than 6mm.

Technical Notes

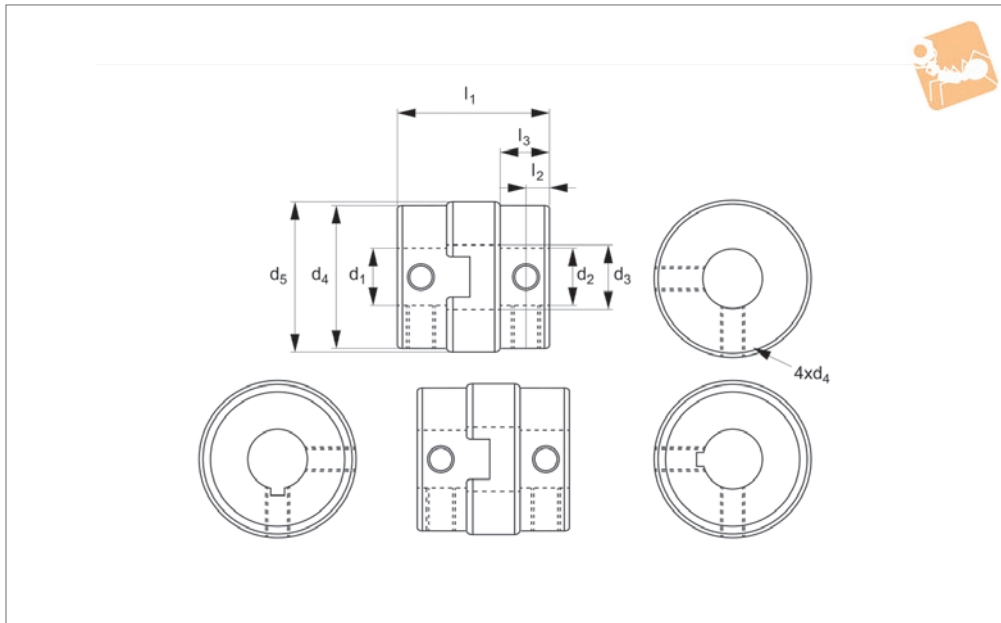
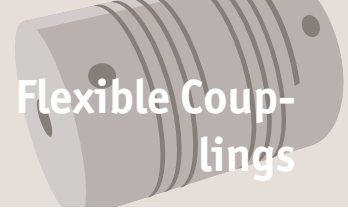
Operating temperature: -40° - 90°C.

Order No.	∅ d	d ₁ & d ₂	d ₃	d ₄	d ₅	l ₁	l ₂	l ₃	Clamping screw lock torque Nm	Clamping screw d ₆
R3055.A-1	6	1	2.4	6	6.2	8.4	1.5	3	0.15	M1,6
R3055.A-1.5	6	1.5	2.4	6	6.2	8.4	1.5	3	0.15	M1,6
R3055.A-2	6	2	2.4	6	6.2	8.4	1.5	3	0.15	M1,6
R3055.B-1	8	1	2.4	8	8.2	8.4	1.5	3	0.15	M1,6
R3055.B-2	8	2	2.4	8	8.2	8.4	1.5	3	0.15	M1,6
R3055.B-3	8	3	2.4	8	8.2	8.4	1.5	3	0.15	M1,6
R3055.C-2	10	2	4.4	10	10.2	10.2	1.8	3.7	0.3	M 2
R3055.C-3	10	3	4.4	10	10.2	10.2	1.8	3.7	0.3	M 2
R3055.C-4	10	4	4.4	10	10.2	10.2	1.8	3.7	0.3	M 2
R3055.D-3	12	3	4.0	12	12.5	14.2	2.5	5.2	0.7	M 3
R3055.D-4	12	4	4.0	12	12.5	14.2	2.5	5.2	0.7	M 3
R3055.D-5	12	5	4.0	12	12.5	14.2	2.5	5.2	0.7	M 3
R3055.E-4	15	4	5.0	14.5	15	16	2.6	5.4	0.7	M 3
R3055.E-5	15	5	5.0	14.5	15	16	2.6	5.4	0.7	M 3
R3055.E-6	15	6	5.0	14.5	15	16	2.6	5.4	0.7	M 3
R3055.E-7	15	7	5.0	14.5	15	16	2.6	5.4	0.7	M 3
R3055.E-8	15	8	5.0	14.5	15	16	2.6	5.4	0.7	M 3
R3055.F-5	17	5	7.2	16.8	17.5	19.8	3.2	6.7	1.7	M 4
R3055.F-6	17	6	7.2	16.8	17.5	19.8	3.2	6.7	1.7	M 4
R3055.F-7	17	7	7.2	16.8	17.5	19.8	3.2	6.7	1.7	M 4
R3055.F-8	17	8	7.2	16.8	17.5	19.8	3.2	6.7	1.7	M 4
R3055.G-6	20	6	8.2	20	21	21.4	3.4	7	1.7	M 4
R3055.G-7	20	7	8.2	20	21	21.4	3.4	7	1.7	M 4
R3055.G-8	20	8	8.2	20	21	21.4	3.4	7	1.7	M 4
R3055.G-10	20	10	8.2	20	21	21.4	3.4	7	1.7	M 4
R3055.G-11	20	11	8.2	20	21	21.4	3.4	7	1.7	M 4
R3055.G-12	20	12	8.2	20	21	21.4	3.4	7	1.7	M 4



Oldham Coupling with Carbon Resin Insert

Flexible Couplings



R3055.2

FLEXIBLE COUPLINGS

Material

Mainframe: Stainless steel alloy SUS304.
Insert: Carbon resin.

Offset of angular, parallel, or axial deviation are individual allowed value, so couple reasons of axial offset appearing at same time would reduce the unit allowable value.

Available options for key way per inner diameter is bigger than 6mm.

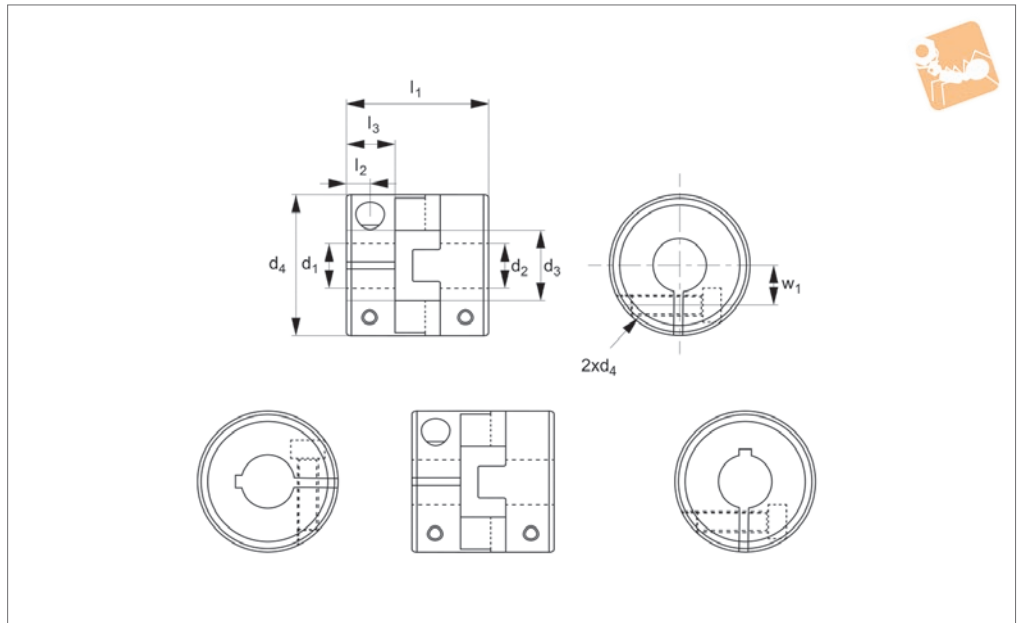
Technical Notes

Operating temperature: -40° - 90°C.

Order No.	Ø d	d ₁ & d ₂	d ₃	d ₄	d ₅	l ₁	l ₂	l ₃	Clamping screw lock torque Nm	Clamping screw d ₆
R3055.H-6	26	6	12.0	26	27	25.6	4	9	1.7	M 4
R3055.H-7	26	7	12.0	26	27	25.6	4	9	1.7	M 4
R3055.H-8	26	8	12.0	26	27	25.6	4	9	1.7	M 4
R3055.H-10	26	10	12.0	26	27	25.6	4	9	1.7	M 4
R3055.H-11	26	11	12.0	26	27	25.6	4	9	1.7	M 4
R3055.H-12	26	12	12.0	26	27	25.6	4	9	1.7	M 4
R3055.H-14	26	14	12.0	26	27	25.6	4	9	1.7	M 4
R3055.I-8	30	8	13.0	30	31	33	6	12	1.7	M 4
R3055.I-10	30	10	13.0	30	31	33	6	12	1.7	M 4
R3055.I-12	30	12	13.0	30	31	33	6	12	1.7	M 4
R3055.I-14	30	14	13.0	30	31	33	6	12	1.7	M 4
R3055.J-10	34	10	13.0	34	35	34.2	5.5	13	4.0	M 5
R3055.J-11	34	11	13.0	34	35	34.2	5.5	13	4.0	M 5
R3055.J-12	34	12	13.0	34	35	34.2	5.5	13	4.0	M 5
R3055.J-14	34	14	13.0	34	35	34.2	5.5	13	4.0	M 5
R3055.J-15	34	15	13.0	34	35	34.2	5.5	13	4.0	M 5
R3055.J-16	34	16	13.0	34	35	34.2	5.5	13	4.0	M 5
R3055.K-10	38	10	17.0	38	41	40	7	15	4.0	M 5
R3055.K-12	38	12	17.0	38	41	40	7	15	4.0	M 5
R3055.K-14	38	14	17.0	38	41	40	7	15	4.0	M 5
R3055.K-15	38	15	17.0	38	41	40	7	15	4.0	M 5
R3055.K-16	38	16	17.0	38	41	40	7	15	4.0	M 5
R3055.K-18	38	18	17.0	38	41	40	7	15	4.0	M 5
R3055.K-20	38	20	17.0	38	41	40	7	15	4.0	M 5



R3056



Material

Mainframe: Anodized aluminium AL7075.
Insert: Black polyacetal (POM)

Technical Notes

Operating temperature: -20° - 80°C.
Offset of angular, parallel or axial devia-

tion are individual allowed value, so couple reasons of axial oddset appearing at same time would reduce unit allowable value.

Select bigger lock torque of clamping screw than listen values on catalogues

when shaft diameter is too small.

List torque tightness values are only for general standard.

Available options for key way per inner diameter is bigger than 6mm.

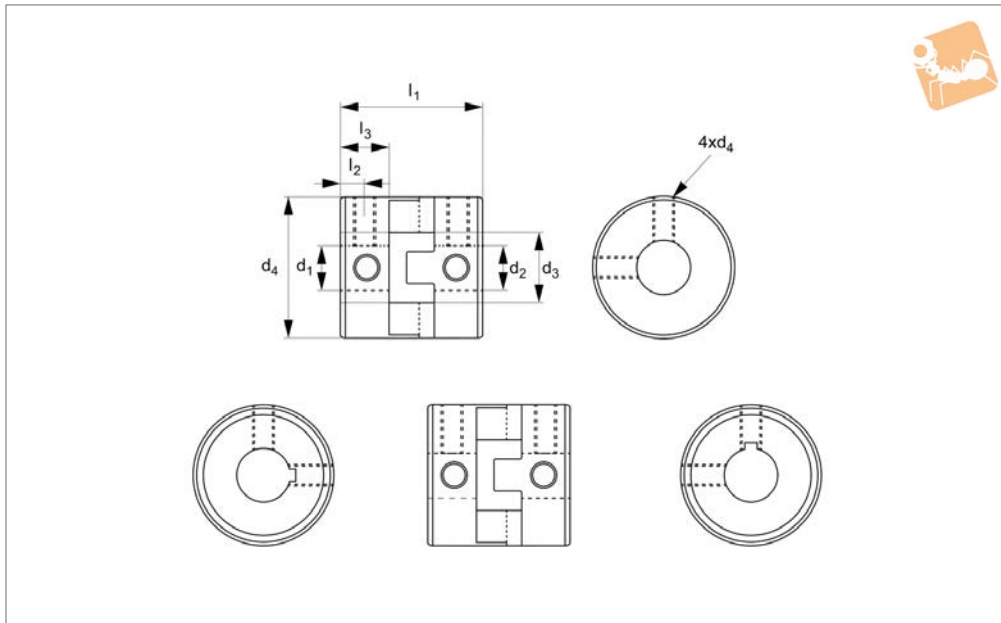
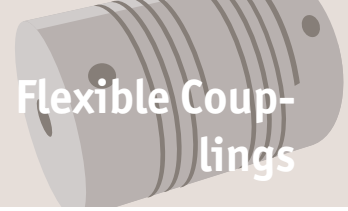
Order No.	d ₁ & d ₂	d ₃	d ₄	l ₁	l ₂	l ₃	w	Clamping screw lock torque Nm	Clamping screw d ₅
R3056.A-14	14	22.5	44	46	7.5	15	14.5	8.4	M 5
R3056.A-15	15	22.5	44	46	7.5	15	14.5	8.4	M 5
R3056.A-16	16	22.5	44	46	7.5	15	14.5	8.4	M 5
R3056.A-18	18	22.5	44	46	7.5	15	14.5	8.4	M 5
R3056.A-20	20	22.5	44	46	7.5	15	14.5	8.4	M 5
R3056.B-18	18	28	55	57	9.5	19	17	14.4	M 6
R3056.B-20	20	28	55	57	9.5	19	17	14.4	M 6
R3056.B-22	22	28	55	57	9.5	19	17	14.4	M 6
R3056.B-25	25	28	55	57	9.5	19	17	14.4	M 6
R3056.C-22	22	39	70	77	12.5	25	24	30.0	M 8
R3056.C-25	25	39	70	77	12.5	25	24	30.0	M 8
R3056.C-28	28	39	70	77	12.5	25	24	30.0	M 8
R3056.C-30	30	39	70	77	12.5	25	24	30.0	M 8
R3056.C-35	35	39	70	77	12.5	25	24	30.0	M 8



Oldham Coupling

set screw with Black Polyacetel (POM) Insert

Flexible Couplings



R3057

FLEXIBLE COUPLINGS

Material

Mainframe: Anodized aluminium AL7075.
Insert: Black polyacetel (POM)

Technical Notes

Operating temperature: -20° - 80°C.
Offset of angular, parallel or axial devia-

tion are individual allowed value, so couple reasons of axial oddset appearing at same time would reduce unit allowable value.

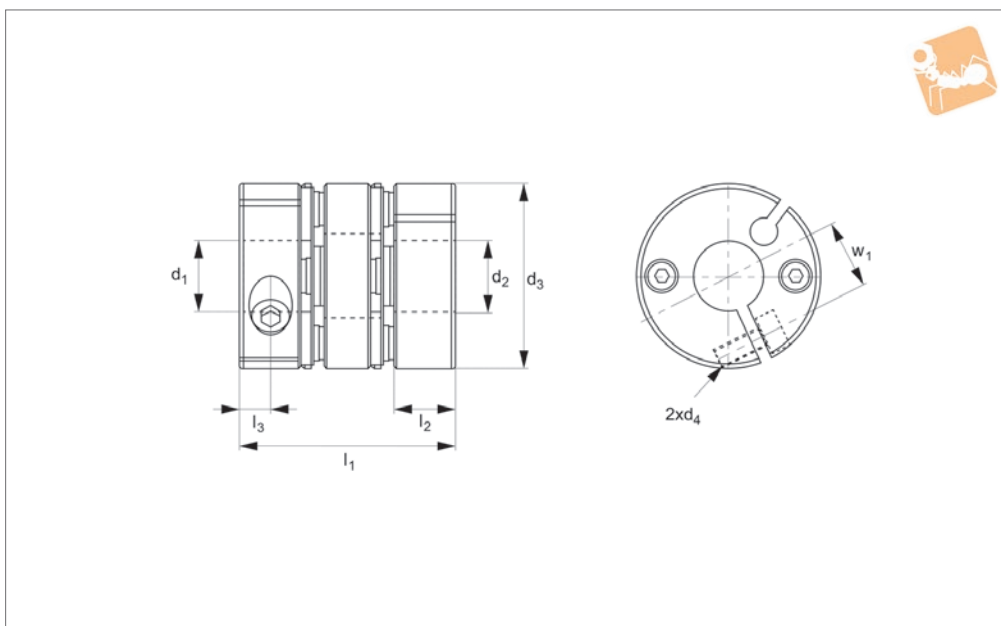
Select bigger lock torque of clamping screw than listen values on catalogues

when shaft diameter is too small. List torque tightness values are only for general standard. Available options for key way per inner diameter is bigger than 6mm.

Order No.	d ₁ & d ₂	d ₃	d ₄	l ₁	l ₂	l ₃	Clamping screw lock torque Nm	Clamping screw d ₅
R3057.A-14	14	22.5	44	46	7.5	15	7.0	M 6
R3057.A-15	15	22.5	44	46	7.5	15	7.0	M 6
R3057.A-16	16	22.5	44	46	7.5	15	7.0	M 6
R3057.A-18	18	22.5	44	46	7.5	15	7.0	M 6
R3057.A-20	20	22.5	44	46	7.5	15	7.0	M 6
R3057.A-22	22	22.5	44	46	7.5	15	7.0	M 6
R3057.B-18	18	28	55	57	9.5	19	15.0	M 8
R3057.B-20	20	28	55	57	9.5	19	15.0	M 8
R3057.B-22	22	28	55	57	9.5	19	15.0	M 8
R3057.B-25	25	28	55	57	9.5	19	15.0	M 8
R3057.B-26	26	28	55	57	9.5	19	15.0	M 8
R3057.C-22	22	39	70	77	12.5	25	30.0	M10
R3057.C-25	25	39	70	77	12.5	25	30.0	M10
R3057.C-28	28	39	70	77	12.5	25	30.0	M10
R3057.C-30	30	39	70	77	12.5	25	30.0	M10
R3057.C-35	35	39	70	77	12.5	25	30.0	M10
R3057.C-38	38	39	70	77	12.5	25	30.0	M10



R3064



Material

Mainframe: Anodized aluminium - AL 7075
 Disk: Stainless steel - SUS303

Technical Notes

High wrench torque load, high wrench torque rigidity capacity and excellent sensibility.

The flexure allowed by stainless steel disc portion of the coupling is capable of accommodating angular, parallel and axial misalignment. Teethless screw to lock disks, zero backlash Clockwise character is exactly the same as anti-clockwise one.

Free maintenance, oil-resist and anti corrosiveness. Offset of angular, parallel or axial deviation are individual allowed value, so couple reasons of axial offset appearing at same time would reduce the unit allowable value.

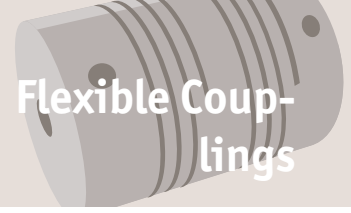
Order No.	d_1 & d_2 tol. h8	d_3	d_4	l_1	l_2	l_3	w	Clamping screw lock torque Nm
R3064.A-4	4	21	M2,5	24.5	7	3.5	7	1.2
R3064.A-5	5	21	M2,5	24.5	7	3.5	7	1.2
R3064.A-6	6	21	M2,5	24.5	7	3.5	7	1.2
R3064.A-8	8	21	M2,5	24.5	7	3.5	7	1.2
R3064.A-9	9	21	M2,5	24.5	7	3.5	7	1.2
R3064.B-5	5	28	M3	32	9	4	9.5	1.5
R3064.B-6	6	28	M3	32	9	4	9.5	1.5
R3064.B-8	8	28	M3	32	9	4	9.5	1.5
R3064.B-9	9	28	M3	32	9	4	9.5	1.5
R3064.B-10	10	28	M3	32	9	4	9.5	1.5
R3064.C-6	6	34	M3	35	9.8	5	12	1.5
R3064.C-8	8	34	M3	35	9.8	5	12	1.5
R3064.C-9	9	34	M3	35	9.8	5	12	1.5
R3064.C-10	10	34	M3	35	9.8	5	12	1.5
R3064.C-11	11	34	M3	35	9.8	5	12	1.5
R3064.C-12	12	34	M3	35	9.8	5	12	1.5
R3064.C-14	14	34	M3	35	9.8	5	12	1.5
R3064.D-8	8	46	M4	44	12.6	6	16.5	3.5
R3064.D-9	9	46	M4	44	12.6	6	16.5	3.5
R3064.D-10	10	46	M4	44	12.6	6	16.5	3.5
R3064.D-11	11	46	M4	44	12.6	6	16.5	3.5
R3064.D-12	12	46	M4	44	12.6	6	16.5	3.5
R3064.D-14	14	46	M4	44	12.6	6	16.5	3.5
R3064.D-15	15	46	M4	44	12.6	6	16.5	3.5
R3064.D-17	17	46	M4	44	12.6	6	16.5	3.5
R3064.D-19	19	46	M4	44	12.6	6	16.5	3.5
R3064.E-12	12	55	M5	55	16	7	20.5	6
R3064.E-14	14	55	M5	55	16	7	20.5	6
R3064.E-15	15	55	M5	55	16	7	20.5	6
R3064.E-17	17	55	M5	55	16	7	20.5	6



Double Disc Coupling - Aluminium

high rigidity clamp fixing - long type

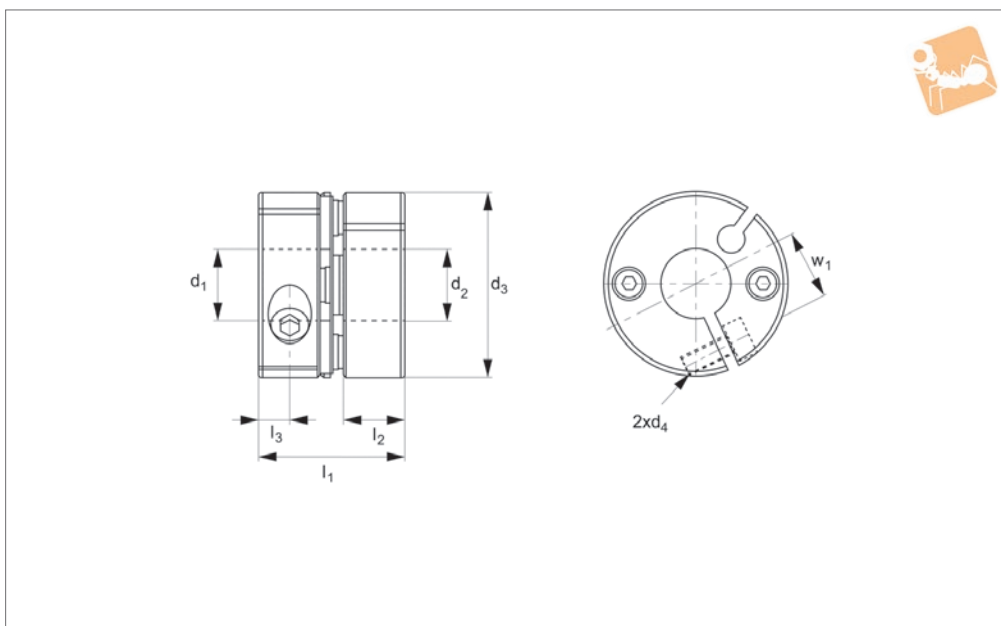
Flexible Couplings



Order No.	d ₁ & d ₂ tol. h8	d ₃	d ₄	l ₁	l ₂	l ₃	w	Clamping screw lock torque Nm
R3064.E-19	19	55	M5	55	16	7	20.5	6
R3064.E-20	20	55	M5	55	16	7	20.5	6
R3064.E-22	22	55	M5	55	16	7	20.5	6
R3064.E-24	24	55	M5	55	16	7	20.5	6
R3064.E-25	25	55	M5	55	16	7	20.5	6



R3065



Material

Mainframe: Anodized aluminium - AL 7075
 Disk: Stainless steel - SUS303

Technical Notes

High wrench torque load, high wrench torque rigidity capacity and excellent sensibility.
 The flexure allowed by stainless steel disk

portion of the coupling is capable of accommodating angular and axial misalignment. Not accommodating of parallel misalignment.
 Clockwise character is exactly the same as anti-clockwise one.
 Free maintenance, oil-resist and anti corrosiveness, Teethless screw to lock

disks, zero backlash
 Offset of angular, parallel or axial deviation are individual allowed value, so couple reasons of axial offset appearing at same time would reduce the unit allowable value.

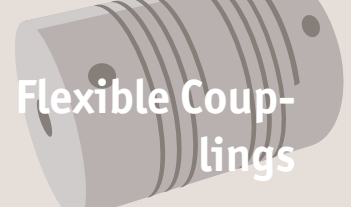
Order No.	d_1 & d_2 tol. h8	d_3	d_4	l_1	l_2	l_3	w	Clamping screw lock torque Nm
R3065.A-4	4	21	M2,5	24.5	7	3.5	7	1.2
R3065.A-5	5	21	M2,5	24.5	7	3.5	7	1.2
R3065.A-6	6	21	M2,5	24.5	7	3.5	7	1.2
R3065.A-8	8	21	M2,5	24.5	7	3.5	7	1.2
R3065.A-9	9	21	M2,5	24.5	7	3.5	7	1.2
R3065.B-5	5	28	M3	32	9	4	9.5	1.5
R3065.B-6	6	28	M3	32	9	4	9.5	1.5
R3065.B-8	8	28	M3	32	9	4	9.5	1.5
R3065.B-9	9	28	M3	32	9	4	9.5	1.5
R3065.B-10	10	28	M3	32	9	4	9.5	1.5
R3065.C-6	6	34	M3	35	9.8	5	12	1.5
R3065.C-8	8	34	M3	35	9.8	5	12	1.5
R3065.C-9	9	34	M3	35	9.8	5	12	1.5
R3065.C-10	10	34	M3	35	9.8	5	12	1.5
R3065.C-11	11	34	M3	35	9.8	5	12	1.5
R3065.C-12	12	34	M3	35	9.8	5	12	1.5
R3065.C-14	14	34	M3	35	9.8	5	12	1.5
R3065.D-8	8	46	M4	44	12.6	6	16.5	3.5
R3065.D-9	9	46	M4	44	12.6	6	16.5	3.5
R3065.D-10	10	46	M4	44	12.6	6	16.5	3.5
R3065.D-11	11	46	M4	44	12.6	6	16.5	3.5
R3065.D-12	12	46	M4	44	12.6	6	16.5	3.5
R3065.D-14	14	46	M4	44	12.6	6	16.5	3.5
R3065.D-15	15	46	M4	44	12.6	6	16.5	3.5
R3065.D-17	17	46	M4	44	12.6	6	16.5	3.5
R3065.D-19	19	46	M4	44	12.6	6	16.5	3.5
R3065.E-12	12	55	M5	55	16	7	20.5	6
R3065.E-14	14	55	M5	55	16	7	20.5	6
R3065.E-15	15	55	M5	55	16	7	20.5	6



Double Disk Coupling - Aluminium

high rigidity clamp fixing - short type

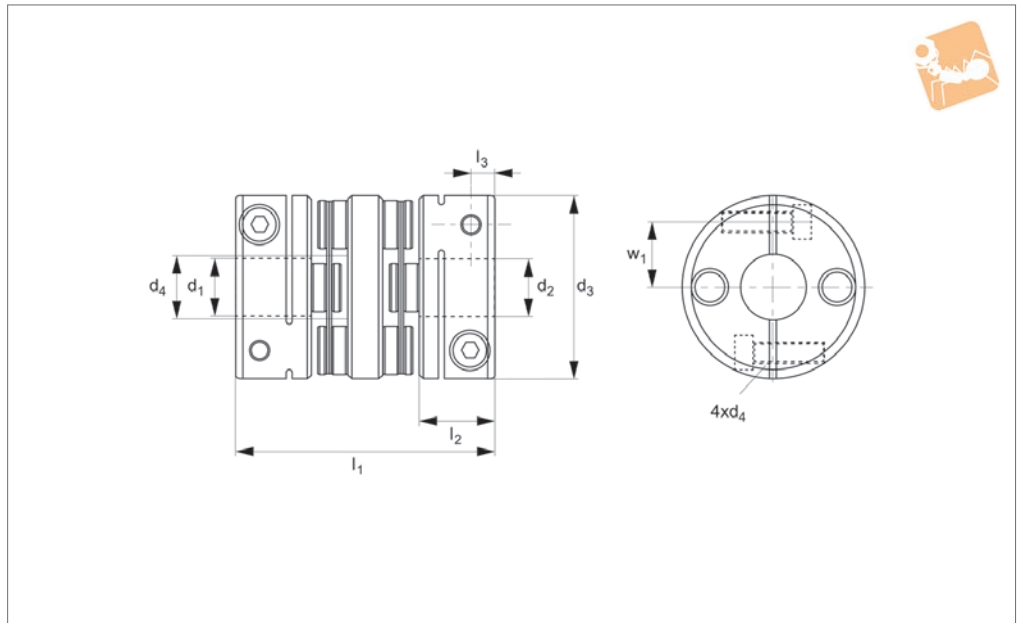
Flexible Couplings



Order No.	d ₁ & d ₂ tol. h8	d ₃	d ₄	l ₁	l ₂	l ₃	w	Clamping screw lock torque Nm
R3065.E-17	17	55	M5	55	16	7	20.5	6
R3065.E-19	19	55	M5	55	16	7	20.5	6
R3065.E-20	20	55	M5	55	16	7	20.5	6
R3065.E-22	22	55	M5	55	16	7	20.5	6
R3065.E-24	24	55	M5	55	16	7	20.5	6
R3065.E-25	25	55	M5	55	16	7	20.5	6



R3066.1



Material

Main frame: Anodized aluminium AL7075
 Disk: Stainless steel SUS301
 Pin: Stainless steel SUS303

Technical Notes

High wrench torque load, high wrench torque rigidity capacity and excellent sensibility.

The flexure allowed by stainless steel disc portion of the coupling is capable of accommodating angular, parallel and axial misalignment. Teethless screw to lock disks, zero backlash Clockwise character is exactly the same as anti-clockwise one. Free maintenance, oil-resist and anti

corrosiveness. Offset of angular, parallel or axial deviation are individual allowed value, so couple reasons of axial offset appearing at same time would reduce the unit allowable value.

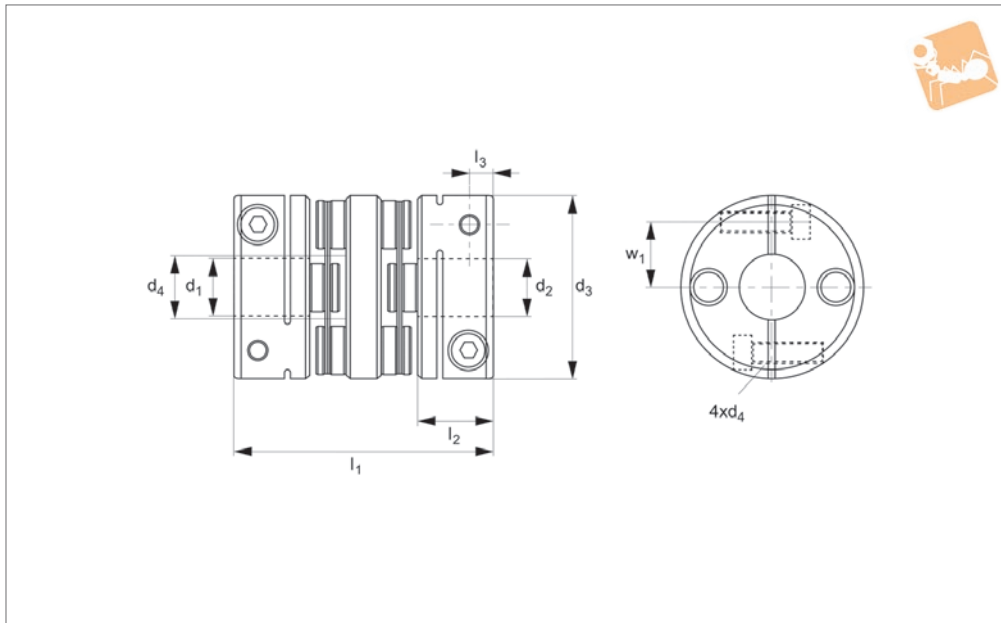
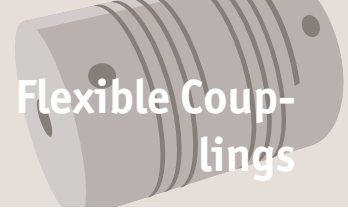
Order No.	d_1 & d_2 tol. h8	d_3	d_4	d_5	l_1	l_2	l_3	w_1	Clamping screw lock torque Nm
R3066.A-4	4	19	8.5	M2	28	8	2.5	6.5	0.5
R3066.A-4.5	4.5	19	8.5	M2	28	8	2.5	6.5	0.5
R3066.A-5	4.5	19	8.5	M2	28	8	2.5	6.5	0.5
R3066.A-6	6	19	8.5	M2	28	8	2.5	6.5	0.5
R3066.A-7	7	19	8.5	M2	28	8	2.5	6.5	0.5
R3066.A-8	8	19	8.5	M2	28	8	2.5	6.5	0.5
R3066.B-6	6	25	12.5	M2,5	31	10	3.5	9	1
R3066.B-7	7	25	12.5	M2,5	31	10	3.5	9	1
R3066.B-8	8	25	12.5	M2,5	31	10	3.5	9	1
R3066.B-10	10	25	12.5	M2,5	31	10	3.5	9	1
R3066.B-11	11	25	12.5	M2,5	31	10	3.5	9	1
R3066.B-12	12	25	12.5	M2,5	31	10	3.5	9	1
R3066.C-8	8	32	16	M3	40	12	4	11	1.5
R3066.C-10	10	32	16	M3	40	12	4	11	1.5
R3066.C-11	11	32	16	M3	40	12	4	11	1.5
R3066.C-12	12	32	16	M3	40	12	4	11	1.5
R3066.C-14	14	32	16	M3	40	12	4	11	1.5
R3066.C-15	15	32	16	M3	40	12	4	11	1.5



Double Disk Coupling - Aluminium

clamping type, long type.

Flexible Couplings



R3066.2

FLEXIBLE COUPLINGS

Material

Main frame: Anodized aluminium AL7075
 Disk: Stainless steel SUS301
 Pin: Stainless steel SUS303

Technical Notes

High wrench torque load, high wrench torque rigidity capacity and excellent sensibility.

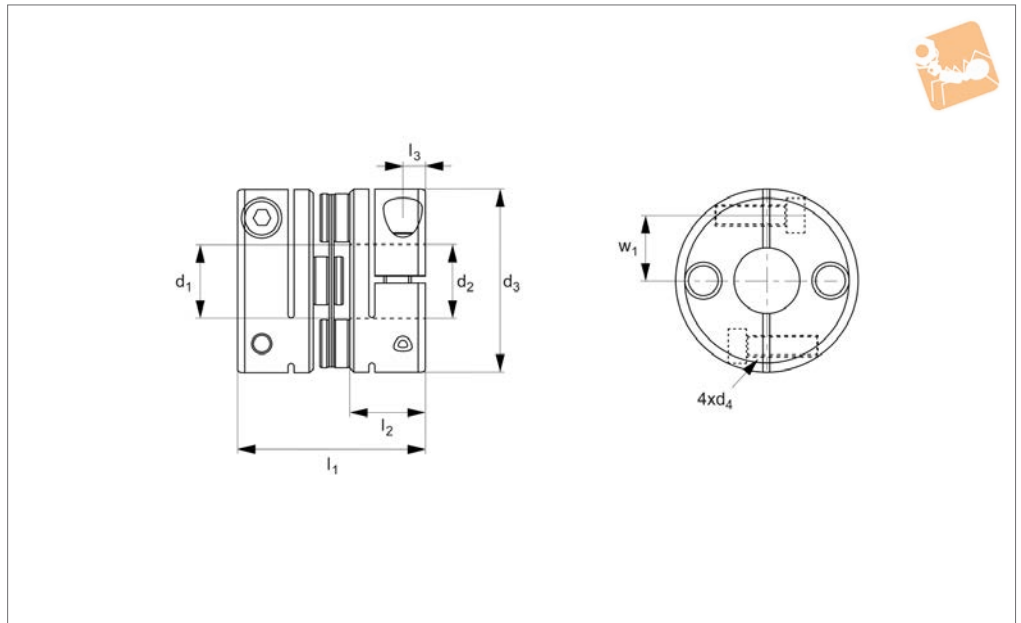
The flexure allowed by stainless steel disc portion of the coupling is capable of accommodating angular, parallel and axial misalignment. Teethless screw to lock disks, zero backlash Clockwise character is exactly the same as anti-clockwise one. Free maintenance, oil-resist and anti

corrosiveness. Offset of angular, parallel or axial deviation are individual allowed value, so couple reasons of axial offset appearing at same time would reduce the unit allowable value.

Order No.	d ₁ & d ₂ tol. h8	d ₃	d ₄	d ₅	l ₁	l ₂	l ₃	w ₁	Clamping screw lock torque Nm
R3066.D-8	8	40	21	4	44	14	5	15	2.5
R3066.D-10	10	40	21	M4	44	14	5	15	2.5
R3066.D-11	11	40	21	M4	44	14	5	15	2.5
R3066.D-12	12	40	21	M4	44	14	5	15	2.5
R3066.D-14	14	40	21	M4	44	14	5	15	2.5
R3066.D-15	15	40	21	M4	44	14	5	15	2.5
R3066.D-16	16	40	21	M4	44	14	5	15	2.5
R3066.D-17	17	40	21	M4	44	14	5	15	2.5
R3066.D-18	18	40	21	M4	44	14	5	15	2.5
R3066.D-19	19	40	21	M4	44	14	5	15	2.5
R3066.D-20	20	40	21	M4	44	14	5	15	2.5
R3066.E-14	14	50	26	M5	57	18	6	18	7
R3066.E-15	15	50	26	M5	57	18	6	18	7
R3066.E-16	16	50	26	M5	57	18	6	18	7
R3066.E-17	17	50	26	M5	57	18	6	18	7
R3066.E-18	18	50	26	M5	57	18	6	18	7
R3066.E-19	19	50	26	M5	57	18	6	18	7
R3066.E-20	20	50	26	M5	57	18	6	18	7
R3066.E-22	22	50	26	M5	57	18	6	18	7
R3066.E-24	24	50	26	M5	57	18	6	18	7
R3066.E-25	25	50	26	M5	57	18	6	18	7



R3067.1



Material

Main frame: Anodized aluminium AL7075
 Disk: Stainless steel SUS301
 Pin: Stainless steel SUS303

Technical Notes

Hard torque load, high torque rigidity and excellent sensibility.

Miniature coupling has short length, no correction for radial deviation.
 Dual stainless steel disk to correct angular and axial deviation.
 Clockwise character is exactly the same as anti-clockwise one.
 Free maintenance, oil resist and anti-

corrosiveness, Zero backlash.
 R3067 can't allow axial deviation caused by offset.
 Offset, deflection, shaft deviation are individual allowed.

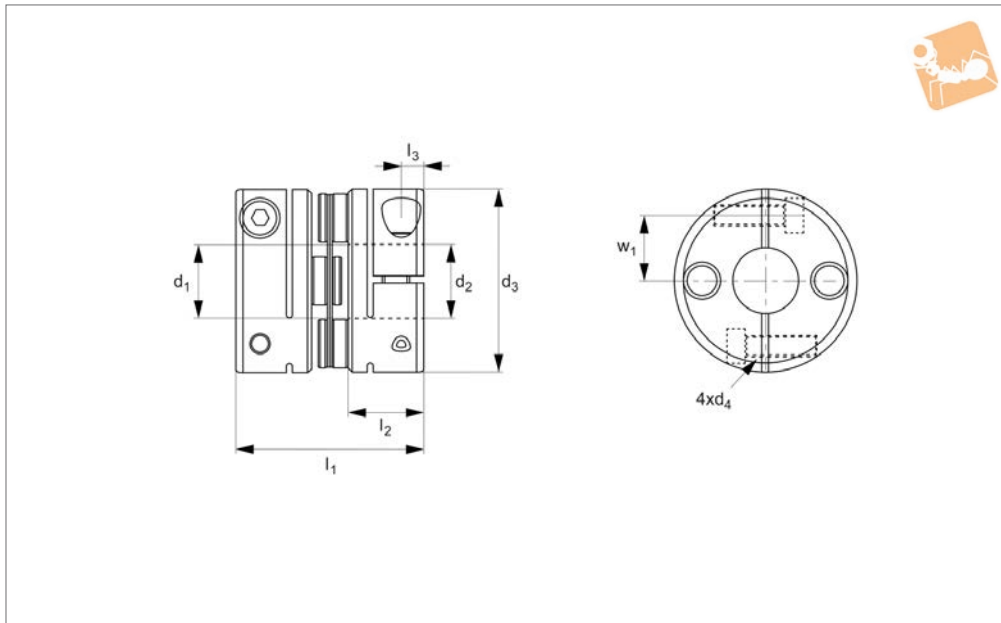
Order No.	d ₁ & d ₂ tol. h8	d ₃	d ₄	l ₁	l ₂	l ₃	w ₁	Clamping screw lock torque Nm
R3067.A-4	4	19	M2	20	8	2.5	6.5	0.5
R3067.A-4.5	4.5	19	M2	20	8	2.5	6.5	0.5
R3067.A-5	5	19	M2	20	8	2.5	6.5	0.5
R3067.A-6	6	19	M2	20	8	2.5	6.5	0.5
R3067.A-7	7	19	M2	20	8	2.5	6.5	0.5
R3067.A-8	8	19	M2	20	8	2.5	6.5	0.5
R3067.B-6	6	25	M2,5	24	10	3.5	9	1
R3067.B-7	7	25	M2,5	24	10	3.5	9	1
R3067.B-8	8	25	M2,5	24	10	3.5	9	1
R3067.B-10	10	25	M2,5	24	10	3.5	9	1
R3067.B-11	11	25	M2,5	24	10	3.5	9	1
R3067.B-12	12	25	M2,5	24	10	3.5	9	1
R3067.C-8	8	32	M3	29	12	4	11	31.5
R3067.C-10	10	32	M3	29	12	4	11	31.5
R3067.C-11	11	32	M3	29	12	4	11	31.5
R3067.C-12	12	32	M3	29	12	4	11	31.5
R3067.C-14	14	32	M3	29	12	4	11	31.5
R3067.C-15	15	32	M3	29	12	4	11	31.5



Single Disk Coupling - Aluminium

clamping type, short type.

Flexible Couplings



R3067.2

FLEXIBLE COUPLINGS

Material

Main frame: Anodized aluminium AL7075
 Disk: Stainless steel SUS301
 Pin: Stainless steel SUS303

Technical Notes

Hard torque load, high torque rigidity and excellent sensibility.

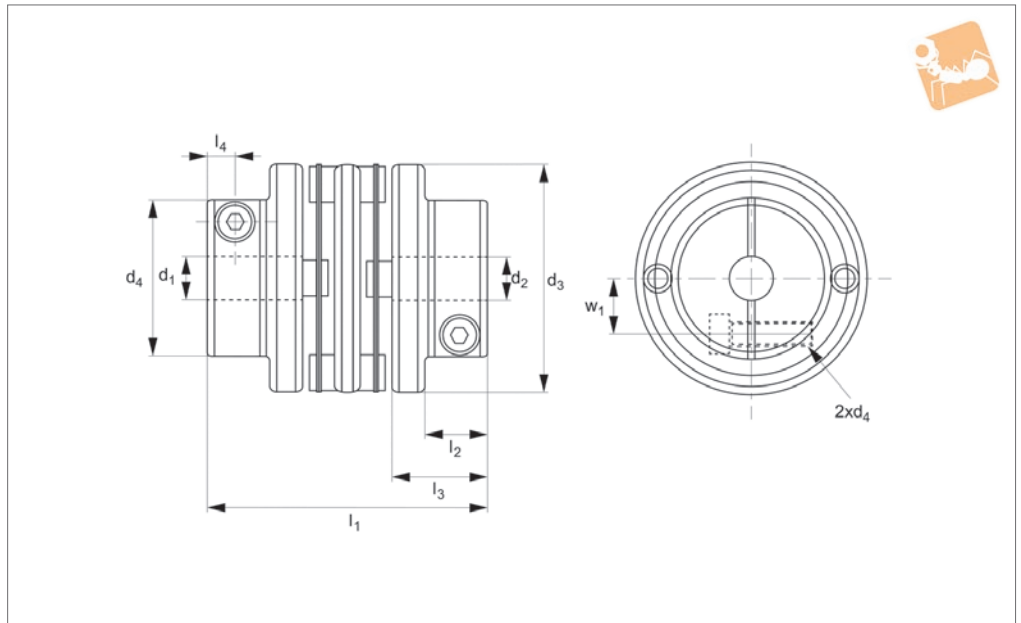
Miniature coupling has short length, no correction for radial deviation.
 Dual stainless steel disk to correct angular and axial deviation.
 Clockwise character is exactly the same as anti-clockwise one.
 Free maintenance, oil resist and anti-

corrosiveness, Zero backlash.
 R3067 can't allow axial deviation caused by offset.
 Offset, deflection, shaft deviation are individual allowed.

Order No.	d ₁ & d ₂ tol. h8	d ₃	d ₄	l ₁	l ₂	l ₃	w ₁	Clamping screw lock torque Nm
R3067.D-8	8	40	M4	33	14	5	15	2.5
R3067.D-17	17	40	M4	33	14	5	15	2.5
R3067.D-18	18	40	M4	33	14	5	15	2.5
R3067.D-19	19	40	M4	33	14	5	15	2.5
R3067.D-20	20	40	M4	33	14	5	15	2.5
R3067.D-10	10	40	M4	33	14	5	15	2.5
R3067.D-11	11	40	M4	33	14	5	15	2.5
R3067.D-12	12	40	M4	33	14	5	15	2.5
R3067.D-14	14	40	M4	33	14	5	15	2.5
R3067.D-15	15	40	M4	33	14	5	15	2.5
R3067.D-16	16	40	M4	33	14	5	15	2.5
R3067.E-14	14	50	M5	42	18	6	18	7
R3067.E-15	15	50	M5	42	18	6	18	7
R3067.E-16	16	50	M5	42	18	6	18	7
R3067.E-17	17	50	M5	42	18	6	18	7
R3067.E-18	18	50	M5	42	18	6	18	7
R3067.E-19	19	50	M5	42	18	6	18	7
R3067.E-20	20	50	M5	42	18	6	18	7
R3067.E-22	22	50	M5	42	18	6	18	7
R3067.E-24	24	50	M5	42	18	6	18	7
R3067.E-25	25	50	M5	42	18	6	18	7



R3068



Material

Main frame: Anodized aluminium AL 7075
 Disk: Stainless steel SUS301.
 Pin: Stainless steel SUS303.

Technical Notes

High wrench torque load, high wrench torque rigidity capacity and excellent

sensibility.

Dual stainless steel rings to correct radial, angular and axial deviation.
 Clockwise character is exactly the same as anti-clockwise one.

Free maintenance, oil resist and anti-corrosiveness, zero backlash.

Offset of angular, parallel, or axial deviation are individual allowed, so couple reasons of axial offset appearing at same time would reduce the unit allowable value.

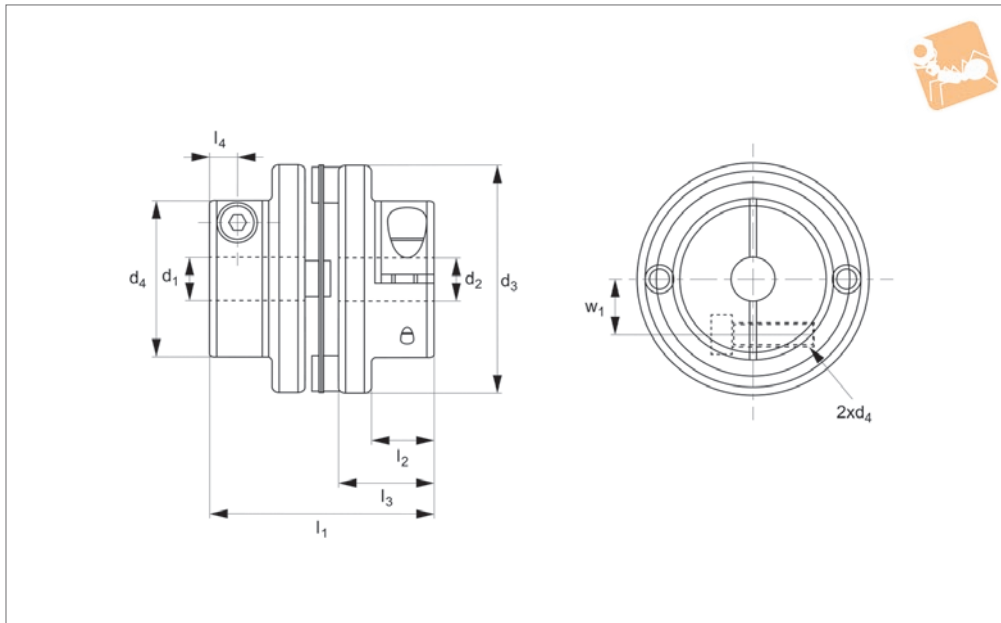
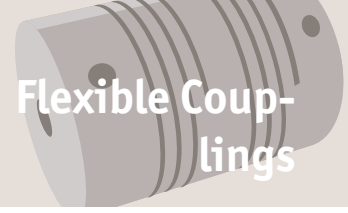
Order No.	d_1 & d_2 tol. h8	d_3	d_4	d_5	l_1	l_2	l_3	l_4	w	Clamping screw lock torque Nm
R3068.A-22-6	6	32	22	M3	40	13.7	9	4	8	1.5
R3068.A-22-7	7	32	22	M3	40	13.7	9	4	8	1.5
R3068.A-22-8	8	32	22	M3	40	13.7	9	4	8	1.5
R3068.A-22-10	10	32	22	M3	40	13.7	9	4	8	1.5
R3068.B-28-7	7	40	28	M4	46	16.5	12	6	10.5	2.5
R3068.B-28-8	8	40	28	M4	46	16.5	12	6	10.5	2.5
R3068.B-28-10	10	40	28	M4	46	16.5	12	6	10.5	2.5
R3068.B-28-11	11	40	28	M4	46	16.5	12	6	10.5	2.5
R3068.B-28-12	12	40	28	M4	46	16.5	12	6	10.5	2.5
R3068.B-28-14	14	40	28	M4	46	16.5	12	6	10.5	2.5
R3068.C-39-12	12	50	39	M5	52	19.4	15	7	14.8	7
R3068.C-39-14	14	50	39	M5	52	19.4	15	7	14.8	7
R3068.C-39-15	15	50	39	M5	52	19.4	15	7	14.8	7
R3068.C-39-16	16	50	39	M5	52	19.4	15	7	14.8	7
R3068.C-39-18	18	50	39	M5	52	19.4	15	7	14.8	7
R3068.C-39-19	19	50	39	M5	52	19.4	15	7	14.8	7
R3068.C-39-20	20	50	39	M5	52	19.4	15	7	14.8	7
R3068.D-45-15	15	63	45	M6	58	22.3	18	8	17	12
R3068.D-45-16	16	63	45	M6	58	22.3	18	8	17	12
R3068.D-45-18	18	63	45	M6	58	22.3	18	8	17	12
R3068.D-45-19	19	63	45	M6	58	22.3	18	8	17	12
R3068.D-45-20	20	63	45	M6	58	22.3	18	8	17	12
R3068.D-45-25	25	63	45	M6	58	22.3	18	8	17	12



Double Disk Coupling - Aluminium

clamp fixing, short type

Flexible Couplings



R3069

FLEXIBLE COUPLINGS

Material

Mainframe: Anodized aluminium AL 7075
 Disk: Stainless steel SUS301
 Pim: Stainless steel SUS303

Technical Notes

Hard torque load, high torque rigidity and excellent sensibility.

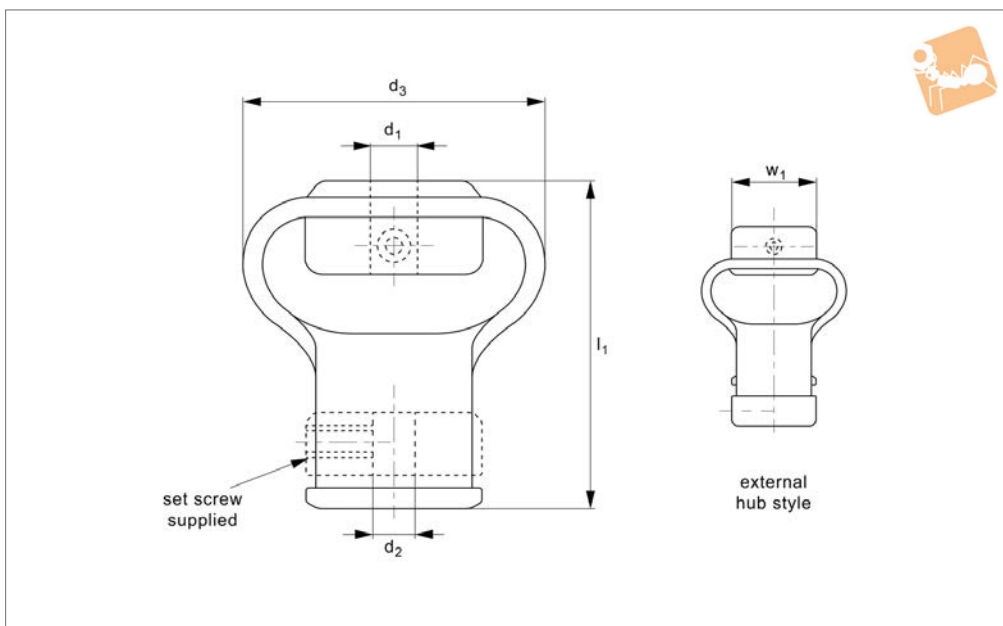
Miniature coupling has short length, zero backlash.
 Dual stainless steel disk to correct angular and axial deviation.
 Clockwise character is exactly the same as anti-clockwise one.
 Free maintenance, oil-resist and anti-

corrosiveness.
 R3069 can't allow axial deviation caused by offset.
 Offset, deflection, shaft deviation are individual allowed value.

Order No.	d ₁ & d ₂ tol. h8	d ₃	d ₄	d ₅	l ₁	l ₂	l ₃	l ₄	w	Clamping screw lock torque Nm
R3069.A-22-6	6	32	22	M3	32	13.7	9	4	8	1.5
R3069.A-22-7	7	32	22	M3	32	13.7	9	4	8	1.5
R3069.A-22-8	8	32	22	M3	32	13.7	9	4	8	1.5
R3069.A-22-10	10	32	22	M3	32	13.7	9	4	8	1.5
R3069.B-28-7	7	40	28	M4	38	16.5	12	6	10.5	2.5
R3069.B-28-8	8	40	28	M4	38	16.5	12	6	10.5	2.5
R3069.B-28-10	10	40	28	M4	38	16.5	12	6	10.5	2.5
R3069.B-28-11	11	40	28	M4	38	16.5	12	6	10.5	2.5
R3069.B-28-12	12	40	28	M4	38	16.5	12	6	10.5	2.5
R3069.B-28-14	14	40	28	M4	38	16.5	12	6	10.5	2.5
R3069.C-39-12	12	50	39	M5	44	19.4	15	7	14.8	7
R3069.C-39-14	14	50	39	M5	44	19.4	15	7	14.8	7
R3069.C-39-15	15	50	39	M5	44	19.4	15	7	14.8	7
R3069.C-39-16	16	50	39	M5	44	19.4	15	7	14.8	7
R3069.C-39-18	18	50	39	M5	44	19.4	15	7	14.8	7
R3069.C-39-19	19	50	39	M5	44	19.4	15	7	14.8	7
R3069.C-39-20	20	50	39	M5	44	19.4	15	7	14.8	7
R3069.D-45-15	15	63	45	M6	50	22.3	18	8	17	12
R3069.D-45-16	16	63	45	M6	50	22.3	18	8	17	12
R3069.D-45-18	18	63	45	M6	50	22.3	18	8	17	12
R3069.D-45-19	19	63	45	M6	50	22.3	18	8	17	12
R3069.D-45-20	20	63	45	M6	50	22.3	18	8	17	12
R3069.D-45-25	25	63	45	M6	50	22.3	18	8	17	12



R3040



Material

Black polyurethane with plated mild steel hub.

Technical Notes

Absorbs end play.
3,600 rpm max.

Quiet running.

Maintenance free (no moving parts).

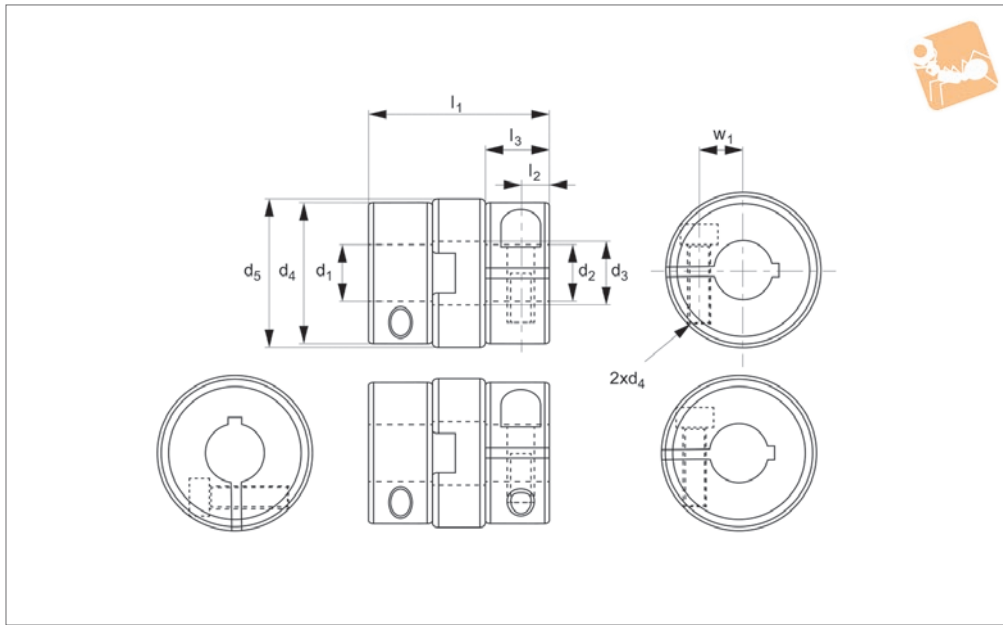
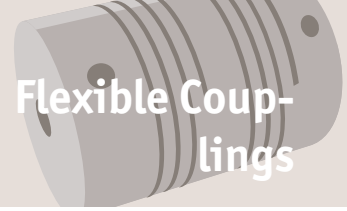
Order No.	Hub	d_1 & d_2	d_3	l	w	Torque Ncm max.	Lat. misalign. max.	Angle misalign. max.
R3040.005-E	External	5	28.5	28.5	17.5	30	2.4	10°
R3040.006-E	External	6	28.5	28.5	17.5	30	2.4	10°
R3040.008-E	External	8	28.5	28.5	17.5	30	2.4	10°
R3040.010-E	External	10	28.5	28.5	17.5	30	2.4	10°
R3040.006-I	Internal	6	47.5	44.5	25.5	135	3.2	15°
R3040.008-I	Internal	8	47.5	44.5	25.5	135	3.2	15°
R3040.010-I	Internal	10	47.5	44.5	25.5	135	3.2	15°
R3040.011-I	Internal	11	47.5	44.5	25.5	135	3.2	15°
R3040.013-I	Internal	13	47.5	44.5	25.5	135	3.2	15°
R3040.110-I	Internal	10	54.0	54.0	32.0	315	4.7	15°
R3040.111-I	Internal	11	54.0	54.0	32.0	315	4.7	15°
R3040.113-I	Internal	13	54.0	54.0	32.0	315	4.7	15°
R3040.014-I	Internal	14	54.0	54.0	32.0	315	4.7	15°
R3040.016-I	Internal	16	54.0	54.0	32.0	315	4.7	15°
R3040.213-I	Internal	13	54.0	60.5	32.0	450	3.2	15°
R3040.114-I	Internal	14	54.0	60.5	32.0	450	3.2	15°
R3040.116-I	Internal	16	54.0	60.5	32.0	450	3.2	15°



Oldham Couplings

stainless steel hub

Flexible Couplings



R3054

FLEXIBLE COUPLINGS

Material

Hub - stainless steel 1,4305.
Insert - polyurethane, bronze or nylon.

Technical Notes

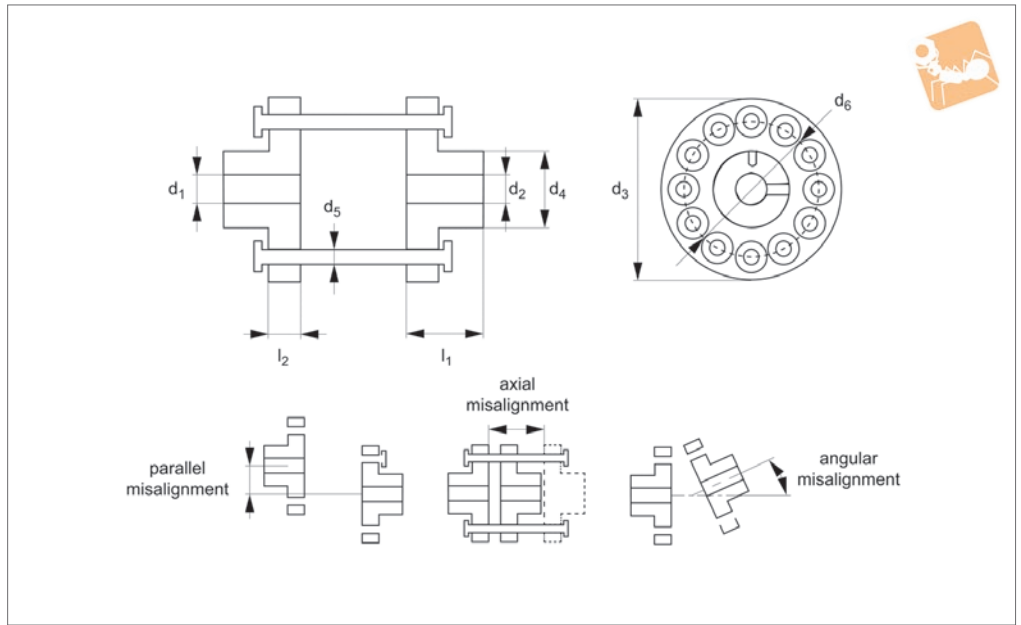
Max. shaft to shaft misalignment 0,3mm.
Max. angular misalignment 1°.

Max. backlash 10 minutes.
For clamps see part no. R3250.

Order No.	Type	l	Ø B	Ø d	Ø H	Torque Ncm max.	Ø C	Centre material
CO3-4M-U	Pin	16.7	3.995	15.9	7.9	50	-	Polyur.
CO3-4M-B	Pin	16.7	3.995	15.9	7.9	250	-	Bronze
CO3-4M-N	Pin	16.7	3.995	15.9	7.9	75	-	Nylon
CO3-5M-U	Pin	18.3	4.995	15.9	9.5	50	-	Polyur.
CO3-5M-B	Pin	18.3	4.995	15.9	9.5	250	-	Bronze
CO3-5M-N	Pin	18.3	4.995	15.9	9.5	75	-	Nylon
CO3-6M-U	Pin	19.8	5.995	15.9	12.7	50	-	Polyur.
CO3-6M-B	Pin	19.8	5.995	15.9	12.7	250	-	Bronze
CO3-6M-N	Pin	19.8	5.995	15.9	12.7	75	-	Nylon
CO3-8M-U	Pin	19.8	7.995	15.9	12.7	50	-	Polyur.
CO3-8M-B	Pin	19.8	7.995	15.9	12.7	250	-	Bronze
CO3-8M-N	Pin	19.8	7.995	15.9	12.7	75	-	Nylon
CO3-10M-U	Pin	39.7	9.995	34.9	19.1	250	-	Polyur.
CO3-10M-N	Pin	39.7	9.995	34.9	19.1	360	-	Nylon
CO3-13M-U	Pin	46.0	12.995	38.1	25.4	300	-	Polyur.
CO3-13M-B	Pin	46.0	12.995	38.1	25.4	1225	-	Bronze
CO3-13M-N	Pin	46.0	12.995	38.1	25.4	430	-	Nylon
CO6-4M-U	Clamp	21.4	3.995	15.9	-	50	5.6	Polyur.
CO6-4M-B	Clamp	21.4	3.995	15.9	-	250	5.6	Bronze
CO6-4M-N	Clamp	21.4	3.995	15.9	-	75	5.6	Nylon
CO6-5M-U	Clamp	21.4	4.995	15.9	--	50	6.6	Polyur.
CO6-5M-B	Clamp	21.4	4.995	15.9	-	250	6.6	Bronze
CO6-5M-N	Clamp	21.4	4.995	15.9	-	75	6.6	Nylon
CO6-6M-U	Clamp	21.4	5.995	15.9	-	50	7.6	Polyur.
CO6-6M-B	Clamp	21.4	5.995	15.9	-	250	7.6	Bronze
CO6-6M-N	Clamp	21.4	5.995	15.9	-	75	7.6	Nylon



R3060



Material

Aluminium (DIN 3,1355) body with polyurethane connection shafts.

Technical Notes

Allows for very high levels of axial and

angular misalignment.

Type A - allows 10° of angular misalignment.

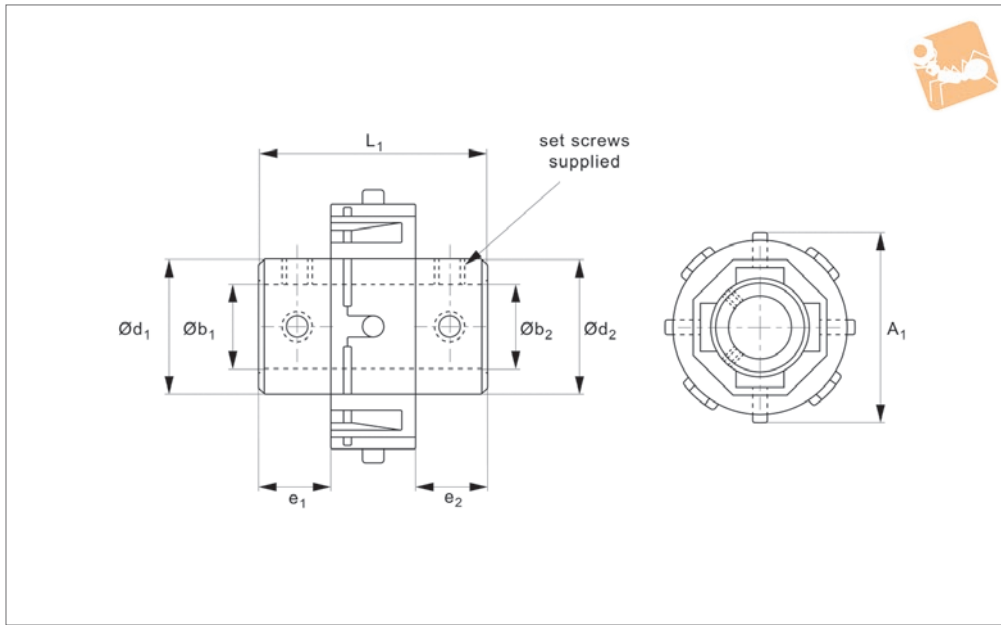
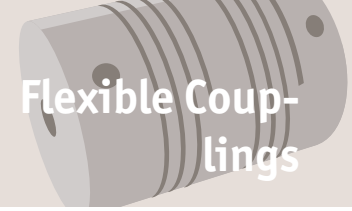
Type B - allows 30° of angular misalignment.

Order No.	d ₁ & d ₂ +0.5	d ₃	d ₄	d ₅	d ₆	l ₁	l ₂	Torque Ncm max.	Angle misalign. max.	No. of pins	Parallel misalign. mm max.	Axial misalign. mm max.
R3060.003-A	3	17.5	8.0	1.6	14.3	8.0	3.2	280	10°	8	1.6	3.6
R3060.005-A	5	25.5	9.5	3.2	19.1	8.7	3.2	390	10°	8	3.2	4.8
R3060.007-A	7	32.0	12.7	3.2	25.4	11.0	4.8	560	10°	10	6.4	6.4
R3060.008-A	8	38.0	12.7	4.8	28.6	11.0	4.8	680	10°	10	5.6	7.9
R3060.010-A	10	50.0	19.0	6.4	38.1	19.0	9.5	1130	10°	12	4.0	9.5
R3060.013-A	13	63.5	25.5	7.9	47.6	22.0	9.5	2260	10°	12	3.2	12.7
R3060.003-B	3	17.5	8.0	1.6	14.3	8.0	3.2	280	30°	8	12.7	11.0
R3060.005-B	5	25.5	9.5	3.2	19.1	8.7	3.2	390	30°	8	16.0	16.0
R3060.007-B	7	32.0	12.7	3.2	25.4	11.0	4.8	560	30°	10	19.0	22.0
R3060.008-B	8	38.0	12.7	4.8	28.6	11.0	4.8	680	30°	10	22.0	28.5
R3060.010-B	10	50.0	19.0	6.4	38.1	19.0	9.5	1130	30°	12	22.5	35.0
R3060.013-B	13	63.5	25.5	7.9	47.6	22.0	9.5	2260	30°	12	32.0	51.0



Universal Lateral coupling screw version

Flexible Couplings



R3062

FLEXIBLE COUPLINGS

Material

Delrin outer ring, brass or aluminium hub.

Offers simultaneous lateral and angular misalignment.

Shaft can pass through for easy installation.

Technical Notes

Zero backlash, low inertia.

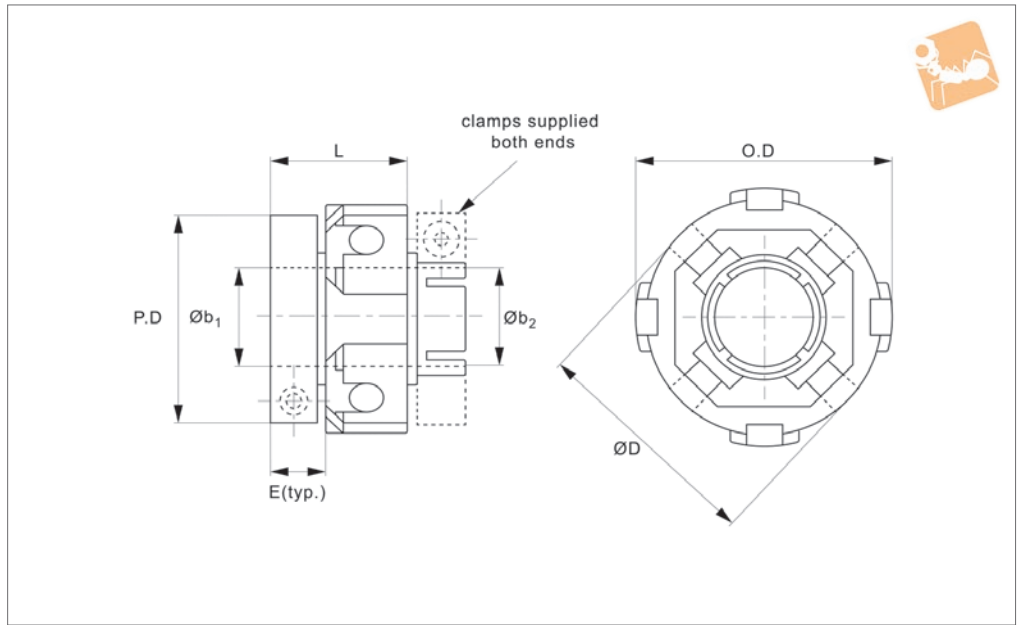
Corrosion resistant, no lubrication required, resonance damping.

Max. lateral misalignment 0,05.
Max. operating temperature +60°C.

Order No.	Hub	d ₁ +0.03	d ₂ +0.03	d ₃	d ₄	d ₅	l ₁	l ₂	l ₃	Torque Ncm max.	Angle misalign. max.	Parallel misalign. max.
R3062.003-003-BR	Brass	3	3	8.9	8.9	18	14.2	4.0	4.0	27	10°	1.3
R3062.004-004-BR	Brass	4	4	8.9	8.9	18	14.2	4.0	4.0	27	10°	1.3
R3062.005-005-BR	Brass	5	5	8.9	8.9	18	14.2	4.0	4.0	27	10°	1.3
R3062.004-006-BR	Brass	4	6	8.9	11.1	18	16.7	4.0	6.5	27	10°	1.3
R3062.006-006-BR	Brass	6	6	11.1	11.1	18	19.1	6.5	6.5	27	10°	1.3
R3062.003-006-BR	Brass	3	6	12.7	12.7	27.2	19.1	4.8	4.8	169	10°	1.3
R3062.103-004-BR	Brass	4	4	12.7	12.7	27.2	19.1	4.8	4.8	169	10°	1.3
R3062.104-006-BR	Brass	4	6	12.7	12.7	27.2	19.1	4.8	4.8	169	10°	1.3
R3062.106-006-BR	Brass	6	6	12.7	12.7	27.2	19.1	4.8	4.8	169	10°	1.3
R3062.006-010-BR	Brass	6	10	12.7	15.1	27.2	22.3	4.8	7.9	169	10°	1.3
R3062.008-008-BR	Brass	8	8	15.1	15.1	27.2	25.4	7.9	7.9	86	10°	1.3
R3062.010-010-BR	Brass	10	10	15.1	15.1	27.2	25.4	7.9	7.9	86	10°	1.3
R3062.006-006-AL	Alum.	6	6	17.6	17.6	33.7	25.2	7.6	7.6	248	10°	1.3
R3062.006-010-AL	Alum.	6	10	17.6	17.6	33.7	25.2	7.6	7.6	248	10°	1.3
R3062.008-008-AL	Alum.	8	8	17.6	17.6	33.7	25.2	7.6	7.6	248	10°	1.3
R3062.010-012-AL	Alum.	10	12	17.6	20.1	33.7	28.0	7.6	10.2	248	10°	1.3
R3062.012-012-AL	Alum.	12	12	20.1	20.1	33.7	30.7	10.2	10.2	248	10°	1.3
R3062.106-006-AL	Alum.	6	6	22.1	22.1	41.4	28.4	7.6	7.6	429	10°	1.3
R3062.007-007-AL	Alum.	7	7	22.1	22.1	41.4	28.4	7.6	7.6	429	10°	1.3
R3062.108-008-AL	Alum.	8	8	22.1	22.1	41.4	28.4	7.6	7.6	429	10°	1.3
R3062.010-010-AL	Alum.	10	10	22.1	22.1	41.4	28.4	7.6	7.6	429	10°	1.3
R3062.016-016-AL	Alum.	16	16	24.2	24.2	41.4	38.1	12.5	12.5	429	10°	1.3



R3063



Material

Delrin outer ring, brass or aluminium hub.

Technical Notes

Zero backlash, low inertia.
Offers simultaneous lateral and angular misalignment.

Corrosion resistant, no lubrication required.

Resonance damping, shaft can pass through for easy installation.
Max. lateral misalignment 1,0
Max. operating temperature +60°C.

Tips

Clamp hub is integral to hub on C029 series.
Additional bore sizes on request.

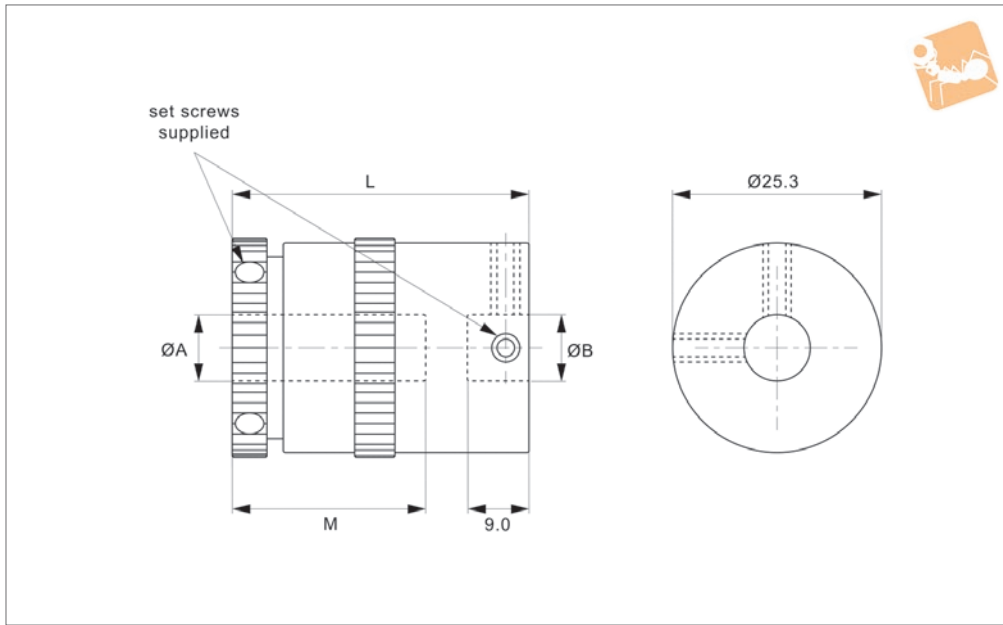
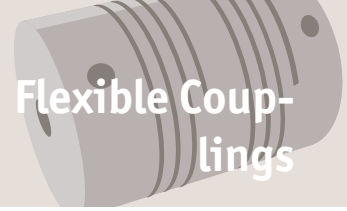
Order No.	Hub	d_1 +0.03 -0.00	d_2 +0.03 -0.00	d_3	d_4	l_1	l_2	Torque Ncm max.	Angle misalign. max.
R3063.003-006-BR	Brass	3.18	6.35	19.1	19.1	19.1	6.5	27	10°
R3063.006-006-BR	Brass	6.00	6.00	19.1	19.1	19.1	6.5	27	10°
R3063.106-006-BR	Brass	6.35	6.35	19.1	19.1	19.1	6.5	27	10°
R3063.005-005-BR	Brass	5.00	5.00	27.2	27.9	25.4	7.9	169	10°
R3063.206-006-BR	Brass	6.00	6.00	27.2	27.9	25.4	7.9	169	10°
R3063.006-008-BR	Brass	6.00	8.00	27.2	27.9	25.4	7.9	169	10°
R3063.007-007-BR	Brass	7.00	7.00	27.2	27.9	25.4	7.9	169	10°
R3063.006-006-AL	Alum.	6.00	6.00	20.1	33.7	30.7	10.2	248	10°
R3063.006-008-AL	Alum.	6.00	8.00	20.1	33.7	30.7	10.2	248	10°
R3063.008-010-AL	Alum.	8.00	10.00	20.1	33.7	30.7	10.2	248	10°
R3063.010-010-AL	Alum.	10.00	10.00	20.1	33.7	30.7	10.2	248	10°
R3063.106-006-AL	Alum.	6.00	6.00	24.2	41.4	38.1	12.5	429	10°
R3063.006-012-AL	Alum.	6.00	12.00	24.2	41.4	38.1	12.5	429	10°
R3063.008-008-AL	Alum.	8.00	8.00	24.2	41.4	38.1	12.5	429	10°
R3063.010-012-AL	Alum.	10.00	12.00	24.2	41.4	38.1	12.5	429	10°
R3063.011-011-AL	Alum.	11.00	11.00	24.2	41.4	38.1	12.5	429	10°
R3063.012-012-AL	Alum.	12.00	12.00	24.2	41.4	38.1	12.5	429	10°



Slip Couplings

Adjustable 2,4 to 130Ncm

Flexible Couplings



R3080

FLEXIBLE COUPLINGS

Material
Aluminium with alocrom finish.
Hubs and plates - heat treated steel.

Sintered bronze bearing.

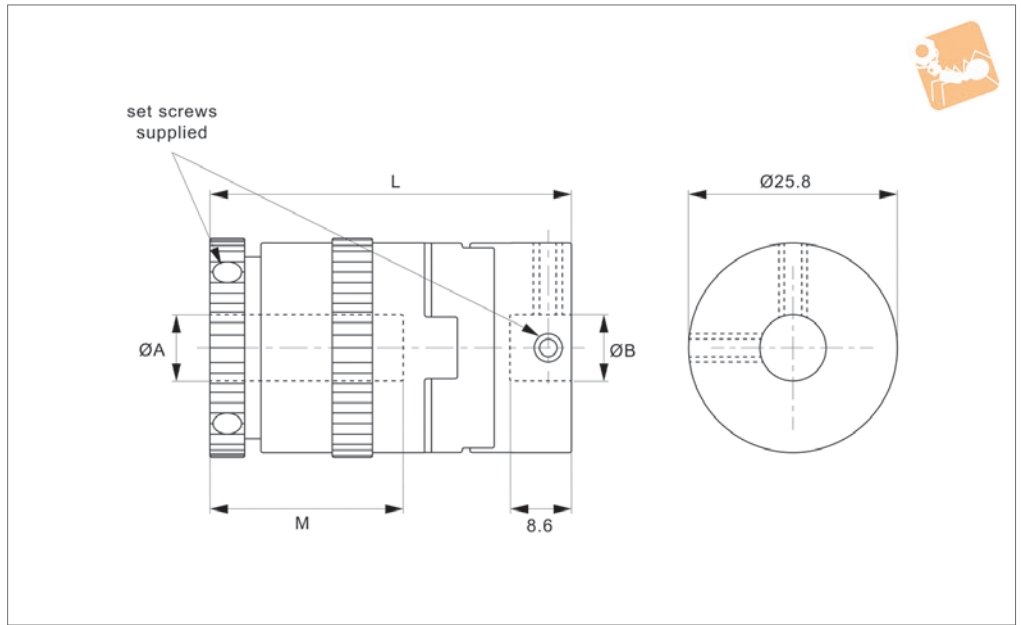
Technical Notes
Bi-directional.

Max. backlash 2°.
Max. operating temperature +80°C.

Order No.	Type	Ø A +0.03	Ø B +0.03	Adj. torque range Ncm min.	Adj. torque range Ncm max.	I ₁	I ₂
R3080.006-25	Slip	6	6	2.4	53.0	36.0	25
R3080.008-25	Slip	8	8	2.4	53.0	36.0	25
R3080.006-31	Slip	6	6	7.8	132.4	42.5	31
R3080.008-31	Slip	8	8	7.8	132.4	42.5	31



R3081



Material

Aluminium with alocrom finish.
Hubs and plates - heat treated steel.

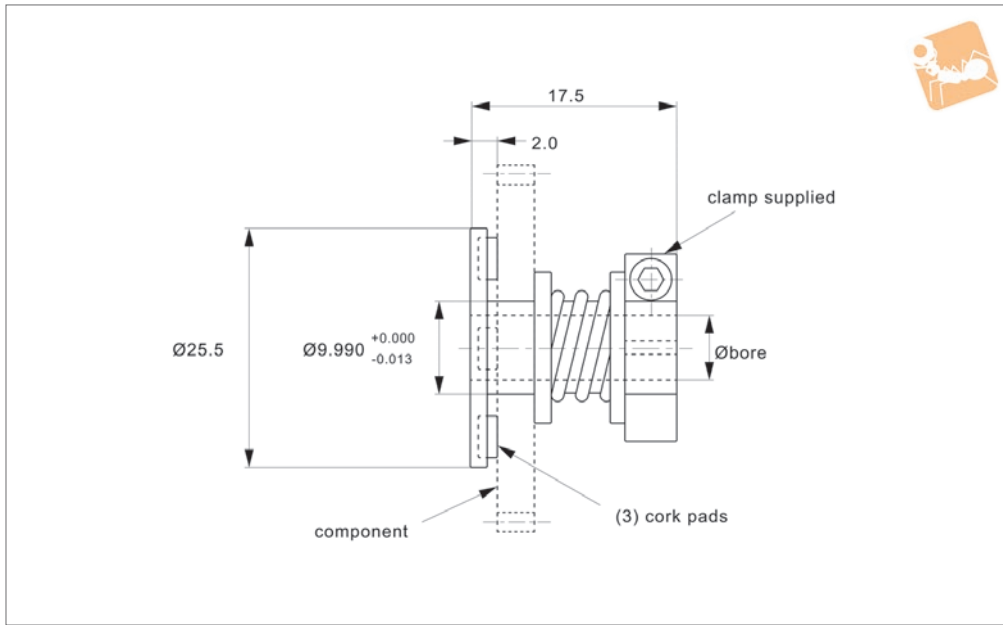
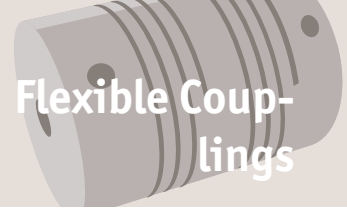
Sintered bronze bearing.

Technical Notes
Bi-directional.

Max. backlash 2°.

Max. operating temperature +80°C.

Order No.	Type	Ø A +0.03	Ø B +0.03	Adj. torque range Ncm min.	Adj. torque range Ncm max.	l	m
R3081.006-25	Oldham Slip	6	6	2.4	53.0	36.0	25
R3081.008-25	Oldham Slip	8	8	2.4	53.0	36.0	25
R3081.006-31	Oldham Slip	6	6	7.8	132.4	42.5	31
R3081.008-31	Oldham Slip	8	8	7.8	132.4	42.5	31



R3092

FLEXIBLE COUPLINGS

Material

Stainless steel DIN 1,4305.

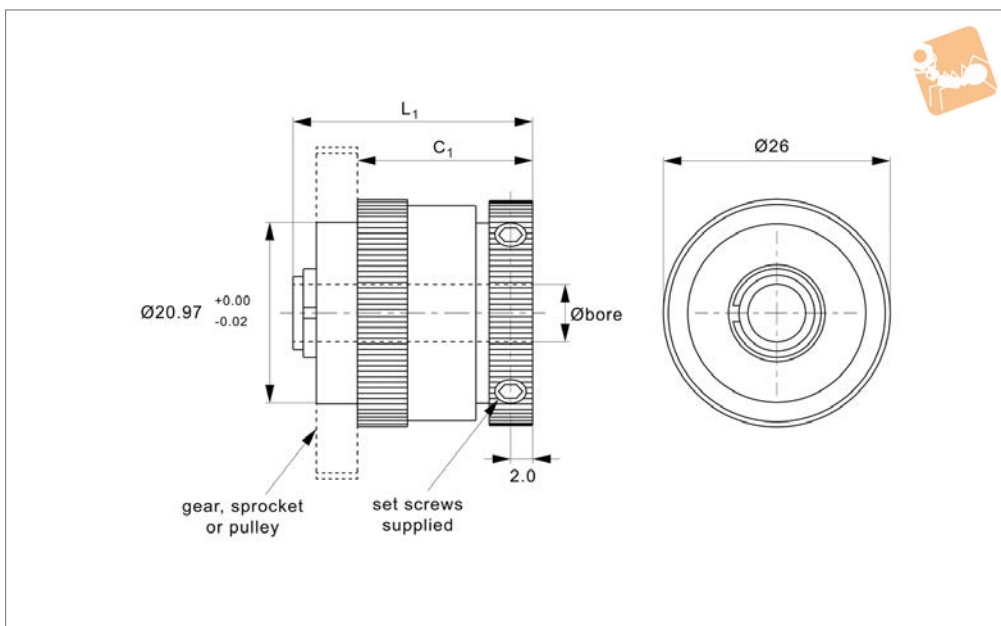
Technical Notes

Adjustable by varying spring force.

Order No.	Bore dia. +0.013	Component thickness	Adjustable slip torque Ncm
R3092.004	3.995	1,5 to 3,0	1,5 (0 to 10); 3,0 (3 to 20)
R3092.005	4.995	1,5 to 3,0	1,5 (0 to 10); 3,0 (3 to 20)
R3092.006	5.995	1,5 to 3,0	1,5 (0 to 10); 3,0 (3 to 20)



R3093



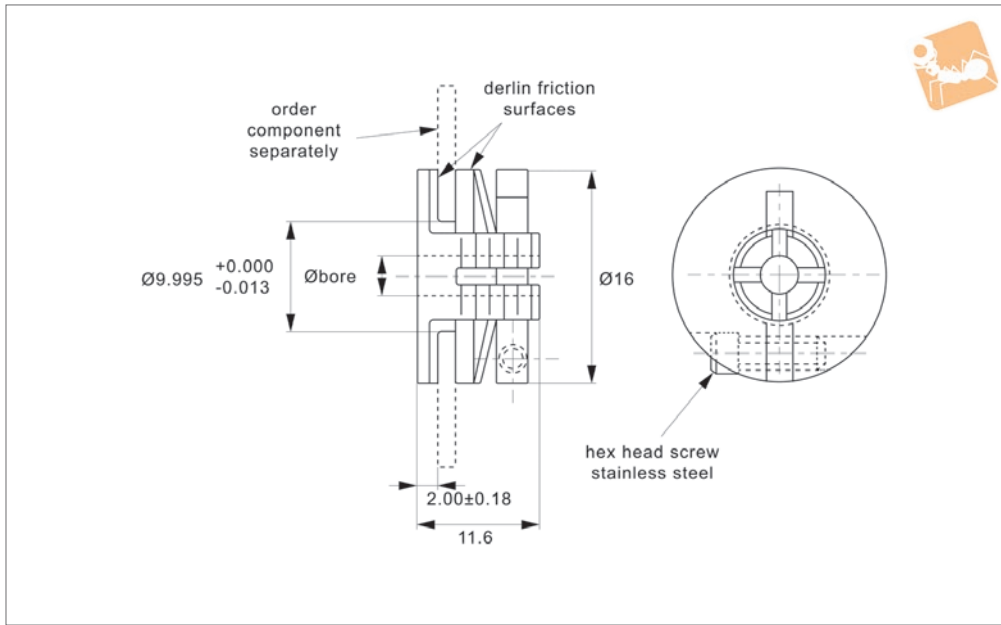
Material
Aluminium housing, adjuster ring and adapters.
Hub and plates - steel.

Sintered bronze bearing.

Technical Notes
Maximum backlash 2°, bi-directional.

Fine knurled torque adjustment rings.
Max. operating temperature 80°C.

Order No.	d_1 +0.03	l_1	l_2	Torque range Ncm min.	Torque range Ncm max.
R3093.006-020	6.00	26.4	20.0	2.5	53.5
R3093.008-020	8.00	26.4	20.0	2.5	53.5
R3093.006-026	6.00	32.4	25.6	7.8	132.0
R3093.008-026	8.00	32.4	25.6	7.8	132.0



R3095.1

FLEXIBLE COUPLINGS

Material

Anodized aluminium.

Tips

Special bore sizes available on request.

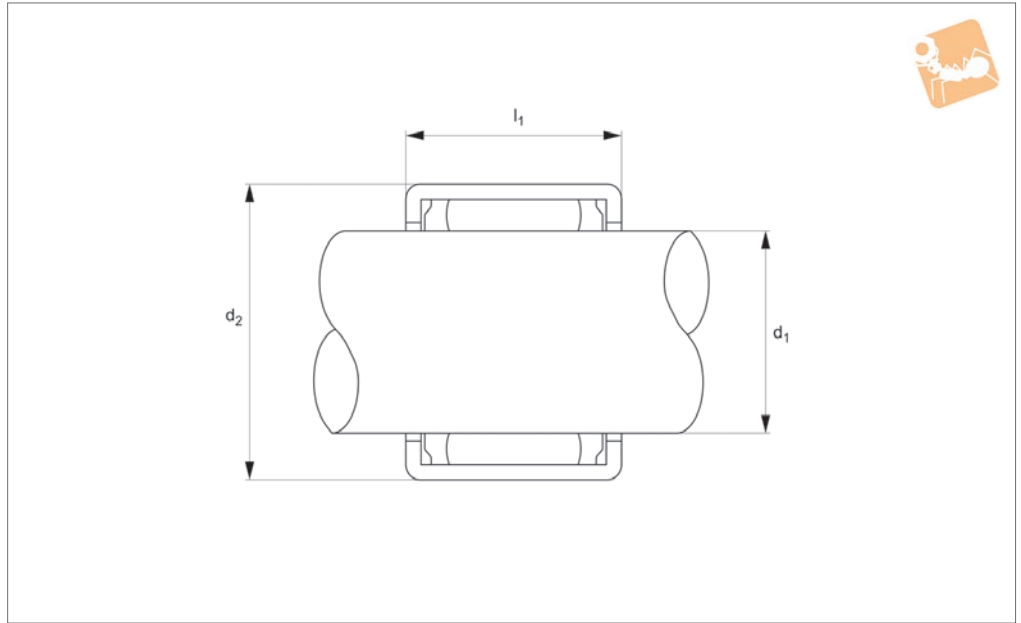
Technical Notes

Adjustable by varying spring force.

Order No.	Component thickness	d ₁
R3095.004	1,5 to 3,0	+0.005 3.995
R3095.005	1,5 to 3,0	4.995



R3098.1



Material

Case hardened steel roller cup. Needle bearings hardened chrome steel. Springs - stainless. Cage - nylon 66. Drawn cup design.

Technical Notes

Free rolling one way, drives in opposite direction, minimum backlash. Max. operating temperature 70°C (plastic spring). Temperature range -45°C to +70°C

(grease).

Tips

For shaft tolerance h6.

Order No.	d ₁	d ₂	l ₂ +0.000 -0.008	Housing diameter N7 steel R7 al.	Overrun speed rpm max.	Torque Ncm max.
R3098.004	4	8.00	6.00	8.00	17000	0.34
R3098.006	6	10.00	12.00	10.00	23060	1.76
R3098.008	8	12.00	12.00	12.00	17000	3.15
R3098.010	10	14.00	12.00	14.00	14000	5.30
R3098.012	12	18.00	16.00	18.00	11000	12.20
R3098.020	20	26.00	16.00	26.00	7000	28.50

