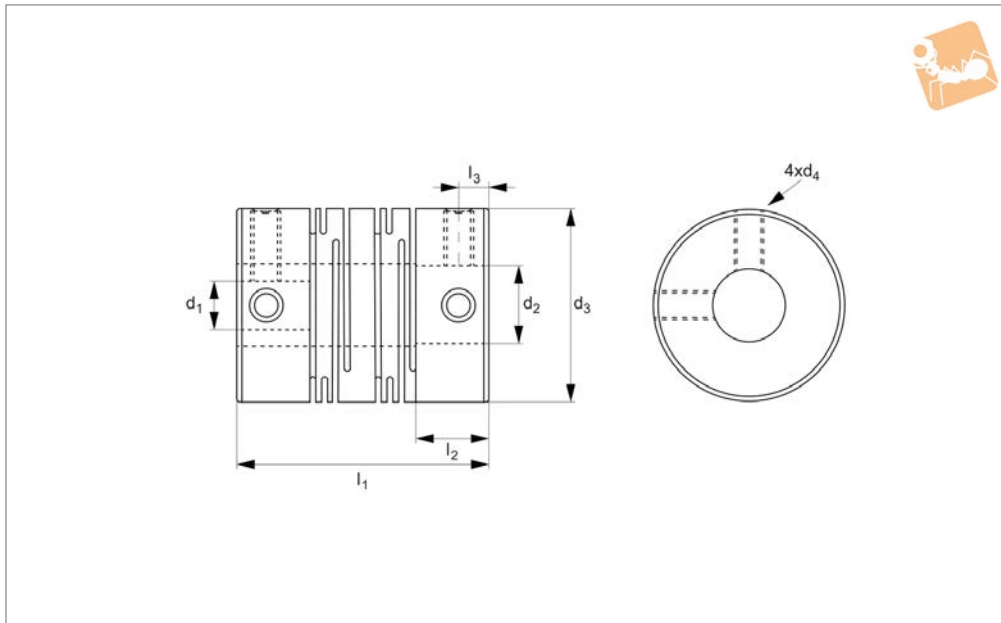
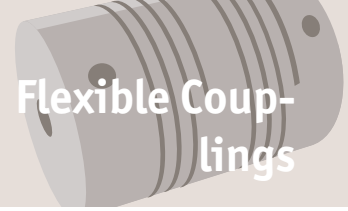




Beamed Coupling - six beam stainless steel, set screw type

Flexible Couplings



R3003

FLEXIBLE COUPLINGS

Material

Stainless steel 1.4435 (AISI 316L)

Technical Notes

One piece construction, no mechanical joints.

No backlash.

Constant velocity.

Torsionally rigid.

High flexibility.

Temperature range -40°C to +120°C.

Central relief diameter may be smaller than

bore in some cases.

Max Torque:

Select the size where max.torque exceeds the application target service factor.

Service Factors:

Shock + reversing = 2

Non reversing = 1,5

Steady load = 1

Max. rpm = 5,000

Torsional stiffness:

based on - bore diameter of minimum D_2 for size at load of (max torque/2).

Tips

Suitable for:

encoders, stepper motors, precision ball screws, robotics, scientific equipment, measuring systems, medical systems, pumps, servo systems etc.

Order No.	d ₁	d ₂	d ₃	d ₄	l ₁	l ₂	n	Ang. offset	Par. offset mm	Torque Nm max.	Tors. stiffness Nm/rad	Weight g
R3003.A02-03	1.9	3	9.5	M2,5	22.9	2	5.3	3°	0.12	1	4	8
R3003.A02-04	1.9	4	9.5	M2,5	22.9	2	5.3	3°	0.12	1	4	8
R3003.A03-03	1.9	3	9.5	M2,5	22.9	3	5.3	3°	0.12	1	4	8
R3003.A03-04	1.9	3	9.5	M2,5	22.9	3	5.3	3°	0.12	1	4	8
R3003.A04-04	1.9	3	9.5	M2,5	22.9	3	5.3	3°	0.12	1	4	8
R3003.B03-04	2.8	4	12.7	M3	25.4	3	6.5	5°	0.17	3	20	18
R3003.B03-05	2.8	5	12.7	M3	25.4	3	6.5	5°	0.17	3	20	18
R3003.B03-06	2.8	6	12.7	M3	25.4	3	6.5	5°	0.17	3	20	18
R3003.B04-04	2.8	4	12.7	M3	25.4	4	6.5	5°	0.17	3	20	18
R3003.B04-05	2.8	5	12.7	M3	25.4	4	6.5	5°	0.17	3	20	18
R3003.B04-06	2.8	6	12.7	M3	25.4	4	6.5	5°	0.17	3	20	18
R3003.B05-05	2.8	5	12.7	M3	25.4	5	6.5	5°	0.17	3	20	18
R3003.B05-06	2.8	6	12.7	M3	25.4	5	6.5	5°	0.17	3	20	18
R3003.B06-06	2.8	6	12.7	M3	25.4	6	6.5	5°	0.17	3	20	18
R3003.C03-06	2.8	6	15.9	M4	25.4	3	6.5	5°	0.20	5	36	24
R3003.C03-08	2.8	8	15.9	M4	25.4	3	6.5	5°	0.20	5	36	24
R3003.C04-05	2.8	5	15.9	M4	25.4	4	6.5	5°	0.20	5	36	24
R3003.C04-06	2.8	6	15.9	M4	25.4	4	6.5	5°	0.20	5	36	24
R3003.C04-08	2.8	8	15.9	M4	25.4	4	6.5	5°	0.20	5	36	24
R3003.C05-05	2.8	5	15.9	M4	25.4	5	6.5	5°	0.20	5	36	24
R3003.C05-06	2.8	6	15.9	M4	25.4	5	6.5	5°	0.20	5	36	24
R3003.C05-08	2.8	8	15.9	M4	25.4	5	6.5	5°	0.20	5	36	24
R3003.C06-06	2.8	6	15.9	M4	25.4	6	6.5	5°	0.20	5	36	24
R3003.C06-08	2.8	8	15.9	M4	25.4	6	6.5	5°	0.20	5	36	24

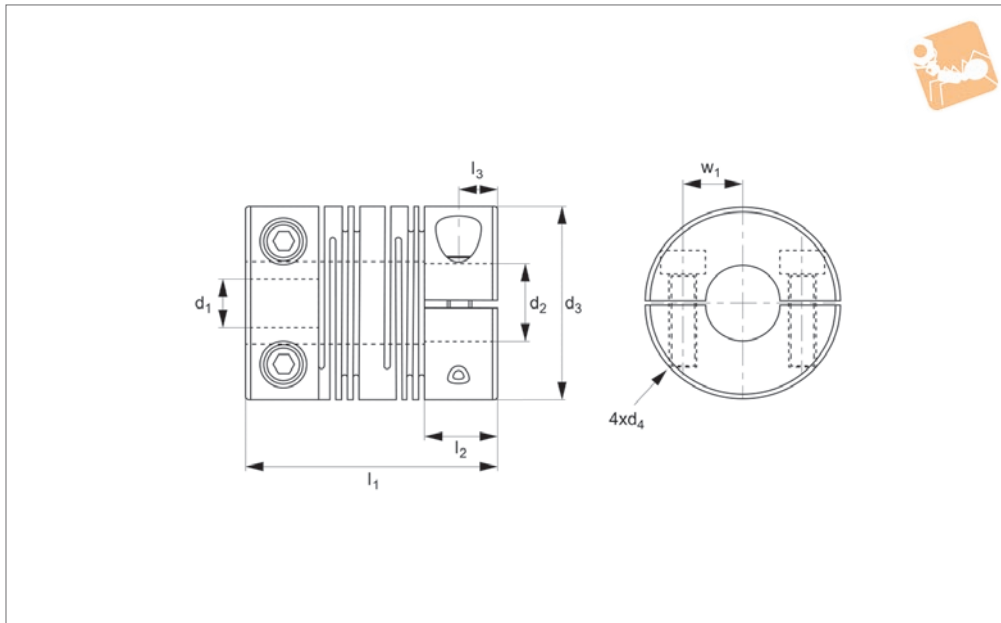
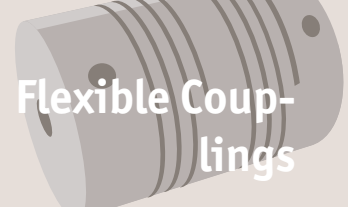


Order No.	d ₁	d ₂	d ₃	d ₄	l ₁	l ₂	n	Ang. offset	Par. offset mm	Torque Nm max.	Tors. stiffness Nm/rad	Weight g
R3003.C08-08	2.8	8	15.9	M4	25.4	8	6.5	5°	0.20	5	36	24
R3003.D05-06	4.4	6	19.1	M4	28.0	5	6.5	7°	0.25	8	112	46
R3003.D05-08	4.4	8	19.1	M4	28.0	5	6.5	7°	0.25	8	112	46
R3003.D05-10	4.4	10	19.1	M4	28.0	5	6.5	7°	0.25	8	112	46
R3003.D06-06	4.4	6	19.1	M4	28.0	6	6.5	7°	0.25	8	112	46
R3003.D06-08	4.4	8	19.1	M4	28.0	6	6.5	7°	0.25	8	112	46
R3003.D06-10	4.4	10	19.1	M4	28.0	6	6.5	7°	0.25	8	112	46
R3003.D08-08	4.4	8	19.1	M4	28.0	8	6.5	7°	0.25	8	112	46
R3003.D08-10	4.4	8	19.1	M4	28.0	8	6.5	7°	0.25	8	112	46
R3003.D10-10	4.4	10	19.1	M4	28.0	10	6.5	7°	0.25	8	112	46
R3003.E06-08	5.8	8	25.4	M5	38.1	6	11	7°	0.37	16	158	120
R3003.E06-10	5.8	10	25.4	M5	38.1	6	11	7°	0.37	16	158	120
R3003.E06-12	5.8	12	25.4	M5	38.1	6	11	7°	0.37	16	158	120
R3003.E08-08	5.8	8	25.4	M5	38.1	8	11	7°	0.37	16	158	120
R3003.E08-10	5.8	10	25.4	M5	38.1	8	11	7°	0.37	16	158	120
R3003.E08-12	5.8	12	25.4	M5	38.1	8	11	7°	0.37	16	158	120
R3003.E10-10	5.8	10	25.4	M5	38.1	10	11	7°	0.37	16	158	120
R3003.E10-12	5.8	12	25.4	M5	38.1	10	11	7°	0.37	16	158	120
R3003.E12-12	5.8	12	25.4	M5	38.1	12	11	7°	0.37	16	158	120



Beamed Coupling - six beam aluminium - clamp type

Flexible Couplings



R3004

FLEXIBLE COUPLINGS

Material

Anodized aluminium (DIN 1725), black.

Technical Notes

One piece construction, no mechanical joints.

No backlash.

Constant velocity.

Torsionally rigid.

High flexibility.

Temperature range -40°C to +120°C.

Central relief diameter may be smaller than

bore in some cases.

Max Torque:

Select the size where max.torque exceeds the application target service factor.

Service Factors:

Shock + reversing = 2

Non reversing = 1,5

Steady load = 1

Max. rpm = 5,000

Torsional stiffness:

based on - bore diameter of minimum D_2 for size at load of (max torque/2).

Tips

Suitable for:

encoders, stepper motors, precision ball screws, robotics, scientific equipment, measuring systems, medical systems, pumps, servo systems etc.

Order No.	d ₁	d ₂	d ₃	d ₄	l ₁	l ₂	Ang. offset	Par. offset mm	Torque Nm max.	Tors. stiffness Nm/rad	Weight g
R3004.A02-03	2	3	9.5	M1,6	19.6	5.3	3°	0.12	1	2	3
R3004.A02-04	2	4	9.5	M1,6	19.6	5.3	3°	0.12	1	2	3
R3004.A03-03	2	4	9.5	M1,6	19.6	5.3	3°	0.12	1	2	3
R3004.A03-04	3	4	9.5	M1,6	19.6	5.3	3°	0.12	1	2	3
R3004.A04-04	4	4	9.5	M1,6	19.6	5.3	3°	0.12	1	2	3
R3004.B03-04	3	4	12.7	M2,0	22.9	6.5	5°	0.17	2	14	7
R3004.B03-05	3	5	12.7	M2,0	22.9	6.5	5°	0.17	2	14	7
R3004.B03-06	3	6	12.7	M2,0	22.9	6.5	5°	0.17	2	14	7
R3004.B04-04	4	4	12.7	M2,0	22.9	6.5	5°	0.17	2	14	7
R3004.B04-05	4	5	12.7	M2,0	22.9	6.5	5°	0.17	2	14	7
R3004.B04-06	4	6	12.7	M2,0	22.9	6.5	5°	0.17	2	14	7
R3004.B05-05	5	6	12.7	M2,0	22.9	6.5	5°	0.17	2	14	7
R3004.B05-06	5	6	12.7	M2,0	22.9	6.5	5°	0.17	2	14	7
R3004.B06-06	6	6	12.7	M2,0	22.9	6.5	5°	0.17	2	14	7
R3004.C03-05	3	5	15.9	M2,5	25.4	6.5	5°	0.2	3.4	33	9
R3004.C03-06	3	6	15.9	M2,5	25.4	6.5	5°	0.2	3.4	33	9
R3004.C03-08	3	8	15.9	M2,5	25.4	6.5	5°	0.2	3.4	33	9
R3004.C04-05	4	5	15.9	M2,5	25.4	6.5	5°	0.2	3.4	33	9
R3004.C04-06	4	6	15.9	M2,5	25.4	6.5	5°	0.2	3.4	33	9
R3004.C04-08	4.8	8	15.9	M2,5	25.4	6.5	5°	0.2	3.4	33	9
R3004.C05-05	5	5	15.9	M2,5	25.4	6.5	5°	0.2	3.4	33	9
R3004.C05-06	5	6	15.9	M2,5	25.4	6.5	5°	0.2	3.4	33	9
R3004.C05-08	5	8	15.9	M2,5	25.4	6.5	5°	0.2	3.4	33	9
R3004.C06-06	6	6	15.9	M2,5	25.4	6.5	5°	0.2	3.4	33	9

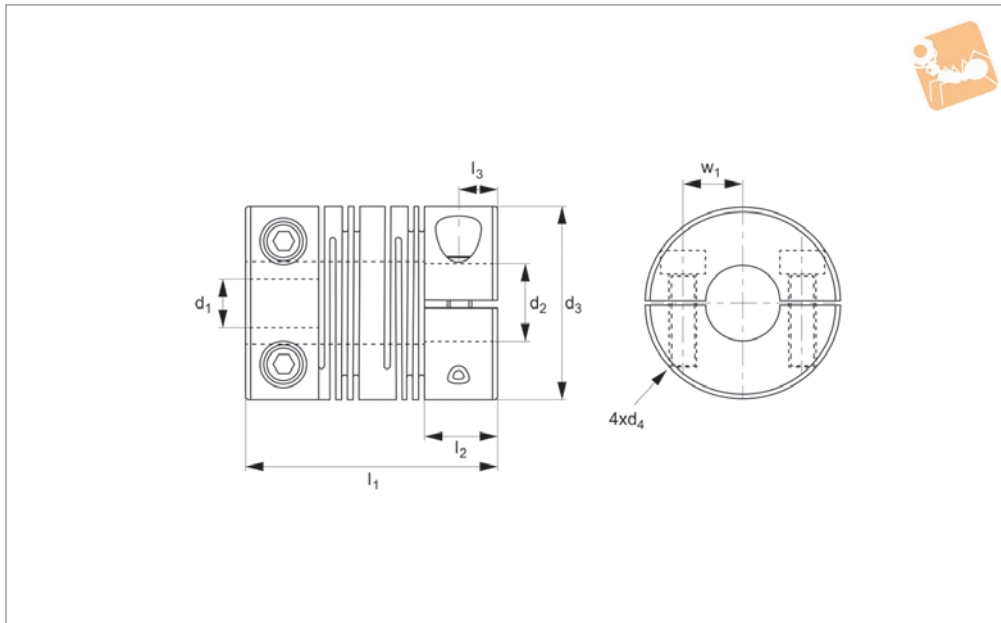
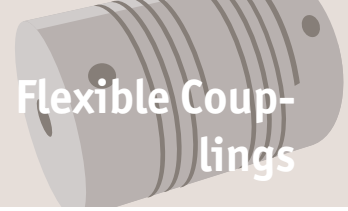


Order No.	d ₁	d ₂	d ₃	d ₄	l ₁	l ₂	Ang. offset	Par. offset mm	Torque Nm max.	Tors. stiffness Nm/rad	Weight g
R3004.C06-08	6	8	15.9	M2,5	25.4	6.5	5°	0.2	3.4	33	9
R3004.C08-08	8	8	15.9	M2,5	25.4	6.5	5°	0.2	3.4	33	9
R3004.D05-06	5	6	19.1	M2,5	26.5	6.5	7°	0.25	5.3	57	18
R3004.D05-08	5	8	19.1	M2,5	26.5	6.5	7°	0.25	5.3	57	18
R3004.D05-10	5	10	19.1	M2,5	26.5	6.5	7°	0.25	5.3	57	18
R3004.D06-06	6	6	19.1	M2,5	26.5	6.5	7°	0.25	5.3	57	18
R3004.D06-08	6	8	19.1	M2,5	26.5	6.5	7°	0.25	5.3	57	18
R3004.D06-10	6	10	19.1	M2,5	26.5	6.5	7°	0.25	5.3	57	18
R3004.D08-08	8	8	19.1	M2,5	26.5	6.5	7°	0.25	5.3	57	18
R3004.D08-10	8	10	19.1	M2,5	26.5	6.5	7°	0.25	5.3	57	18
R3004.D10-10	10	10	19.1	M2,5	26.5	6.5	7°	0.25	5.3	57	18
R3004.E06-08	6	8	25.4	M3,0	38.1	11	7°	0.37	10	80	45
R3004.E06-10	6	10	25.4	M3,0	38.1	11	7°	0.37	10	80	45
R3004.E06-12	6	12	25.4	M3,0	38.1	11	7°	0.37	10	80	45
R3004.E08-08	8	8	25.4	M3,0	38.1	11	7°	0.37	10	80	45
R3004.E08-10	8	10	25.4	M3,0	38.1	11	7°	0.37	10	80	45
R3004.E08-12	8	12	25.4	M3,0	38.1	11	7°	0.37	10	80	45
R3004.E10-10	10	10	25.4	M3,0	38.1	11	7°	0.37	10	80	45
R3004.E10-12	10	12	25.4	M3,0	38.1	11	7°	0.37	10	80	45
R3004.E12-12	12	12	25.4	M3,0	38.1	11	7°	0.37	10	80	45



Beamed Coupling - six beam stainless steel, clamp type

Flexible Couplings



R3005

FLEXIBLE COUPLINGS

Material

Stainless steel 1.4435 (AISI 316L)

Technical Notes

One piece construction, no mechanical joints.

No backlash.

Constant velocity.

Torsionally rigid.

High flexibility.

Temperature range -40°C to +120°C.

Central relief diameter may be smaller than

bore in some cases.

Max Torque:

Select the size where max.torque exceeds the application target service factor.

Service Factors:

Shock + reversing = 2

Non reversing = 1,5

Steady load = 1

Max. rpm = 5,000

Torsional stiffness:

based on - bore diameter of minimum D_2 for size at load of (max torque/2).

Tips

Suitable for:

encoders, stepper motors, precision ball screws, robotics, scientific equipment, measuring systems, medical systems, pumps, servo systems etc.

Order No.	d ₁	d ₂	d ₃	d ₄	l ₁	l ₂	n	Ang. offset	Par. offset mm	Torque Nm max.	Tors. stiffness Nm/rad	Weight g
R3005.B03-04	2.8	3	12.7	M2,0	25.4	4	6.5	5°	0.17	3	20	18
R3005.B03-05	2.8	3	12.7	M2,0	25.4	5	6.5	5°	0.17	3	20	18
R3005.B03-06	2.8	3	12.7	M2,0	25.4	6	6.5	5°	0.17	3	20	18
R3005.B04-04	2.8	4	12.7	M2,0	25.4	4	6.5	5°	0.17	3	20	18
R3005.B04-05	2.8	4	12.7	M2,0	25.4	5	6.5	5°	0.17	3	20	18
R3005.B04-06	2.8	4	12.7	M2,0	25.4	6	6.5	5°	0.17	3	20	18
R3005.B05-05	2.8	5	12.7	M2,0	25.4	5	6.5	5°	0.17	3	20	18
R3005.B05-06	2.8	5	12.7	M2,0	25.4	6	6.5	5°	0.17	3	20	18
R3005.B06-06	2.8	6	12.7	M2,0	25.4	6	6.5	5°	0.17	3	20	18
R3005.C03-06	2.8	3	15.9	M2,5	25.4	6	6.5	5°	0.20	5	36	24
R3005.C03-08	2.8	3	15.9	M2,5	25.4	8	6.5	5°	0.20	5	36	24
R3005.C04-05	2.8	4	15.9	M2,5	25.4	5	6.5	5°	0.20	5	36	24
R3005.C04-06	2.8	4	15.9	M2,5	25.4	6	6.5	5°	0.20	5	36	24
R3005.C04-08	2.8	4	15.9	M2,5	25.4	8	6.5	5°	0.20	5	36	24
R3005.C05-05	2.8	5	15.9	M2,5	25.4	5	6.5	5°	0.20	5	36	24
R3005.C05-06	2.8	5	15.9	M2,5	25.4	6	6.5	5°	0.20	5	36	24
R3005.C05-08	2.8	5	15.9	M2,5	25.4	8	6.5	5°	0.20	5	36	24
R3005.C06-06	2.8	6	15.9	M2,5	25.4	6	6.5	5°	0.20	5	36	24
R3005.C06-08	2.8	6	15.9	M2,5	25.4	8	6.5	5°	0.20	5	36	24
R3005.C08-08	2.8	8	15.9	M2,5	25.4	8	6.5	5°	0.20	5	36	24
R3005.D05-06	4.4	5	19.1	M2,5	28	6	6.5	7°	0.25	8	112	46
R3005.D05-08	4.4	5	19.1	M2,5	28	8	6.5	7°	0.25	8	112	46
R3005.D05-10	4.4	5	19.1	M2,5	28	10	6.5	7°	0.25	8	112	46
R3005.D06-06	4.4	6	19.1	M2,5	28	6	6.5	7°	0.25	8	112	46

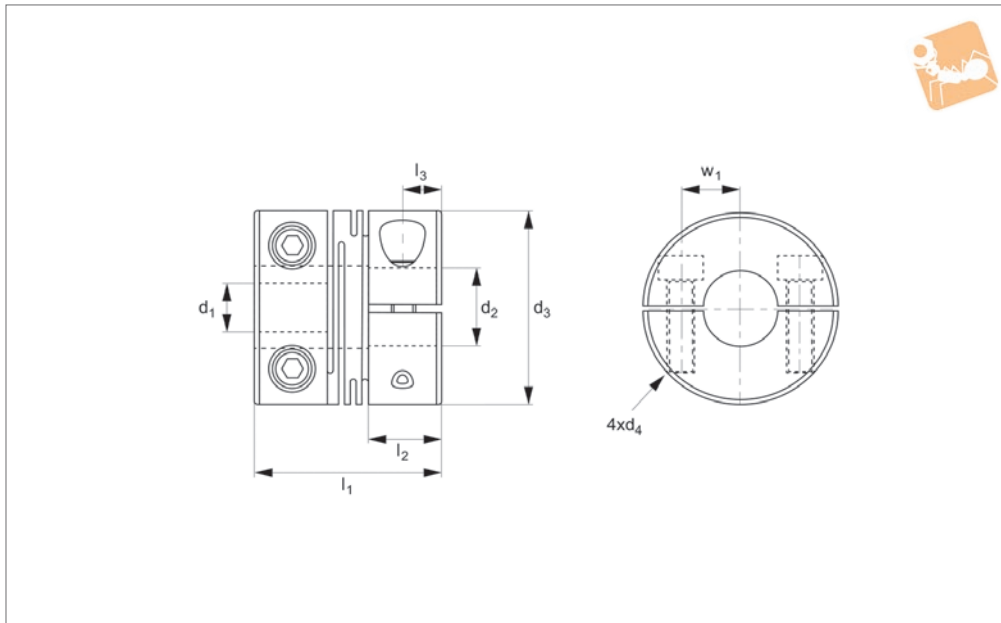
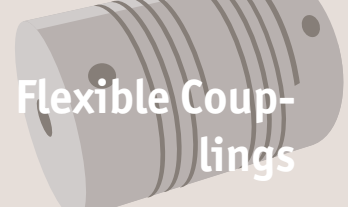


Order No.	d ₁	d ₂	d ₃	d ₄	l ₁	l ₂	n	Ang. offset	Par. offset mm	Torque Nm max.	Tors. stiffness Nm/rad	Weight g
R3005.D06-08	4.4	6	19.1	M2,5	28	8	6.5	7°	0.25	8	112	46
R3005.D06-10	4.4	6	19.1	M2,5	28	10	6.5	7°	0.25	8	112	46
R3005.D08-08	4.4	8	19.1	M2,5	28	8	6.5	7°	0.25	8	112	46
R3005.D08-10	4.4	8	19.1	M2,5	28	10	6.5	7°	0.25	8	112	46
R3005.D10-10	4.4	10	19.1	M2,5	28	10	6.5	7°	0.25	8	112	46
R3005.E06-08	5.8	6	25.4	M3,0	38.1	8	11	7°	0.37	16	158	120
R3005.E06-10	5.8	6	25.4	M3,0	38.1	10	11	7°	0.37	16	158	120
R3005.E06-12	5.8	6	25.4	M3,0	38.1	12	11	7°	0.37	16	158	120
R3005.E08-08	5.8	8	25.4	M3,0	38.1	8	11	7°	0.37	16	158	120
R3005.E08-10	5.8	8	25.4	M3,0	38.1	10	11	7°	0.37	16	158	120
R3005.E08-12	5.8	8	25.4	M3,0	38.1	12	11	7°	0.37	16	158	120
R3005.E10-10	5.8	10	25.4	M3,0	38.1	10	11	7°	0.37	16	158	120
R3005.E10-12	5.8	10	25.4	M3,0	38.1	12	11	7°	0.37	16	158	120
R3005.E12-12	5.8	12	25.4	M3,0	38.1	12	11	7°	0.37	16	158	120



Beamed Coupling - three beam aluminium, set screw type

Flexible Couplings



R3006

FLEXIBLE COUPLINGS

Material

Anodized aluminium (DIN 1725), black.

Technical Notes

One piece construction, no mechanical joints.

No backlash.

Constant velocity.

Torsionally rigid.

High flexibility.

Temperature range -40°C to +120°C.

Central relief diameter may be smaller than

bore in some cases.

Max Torque:

Select the size where max.torque exceeds the application target service factor.

Service Factors:

Shock + reversing = 2

Non reversing = 1,5

Steady load = 1

Max. rpm = 5,000

Torsional stiffness:

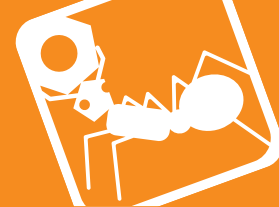
based on - bore diameter of minimum D_2 for size at load of (max torque/2).

Tips

Suitable for:

encoders, stepper motors, precision ball screws, robotics, scientific equipment, measuring systems, medical systems, pumps, servo systems etc.

Order No.	d ₁	d ₂	d ₃	d ₄	l ₁	l ₂	n	Ang. offset	Par. offset mm	Torque Nm max.	Tors. stiffness Nm/rad	Weight g
R3006.A02-03	1.9	3	9.5	M2,5	14.2	2	4.5	3°	0.100	0.4	2	2
R3006.A02-04	1.9	4	9.5	M2,5	14.2	2	4.5	3°	0.100	0.4	2	2
R3006.A03-03	1.9	3	9.5	M2,5	14.2	3	4.5	3°	0.100	0.4	2	2
R3006.A03-04	1.9	4	9.5	M2,5	14.2	3	4.5	3°	0.100	0.4	2	2
R3006.A04-04	1.9	4	9.5	M2,5	14.2	4	4.5	3°	0.100	0.4	2	2
R3006.B03-04	2.8	4	12.7	M3	19.1	3	6.0	5°	0.127	0.9	36	5
R3006.B03-05	2.8	5	12.7	M3	19.1	3	6.0	5°	0.127	0.9	36	5
R3006.B03-06	2.8	6	12.7	M3	19.1	3	6.0	5°	0.127	0.9	36	5
R3006.B04-04	2.8	4	12.7	M3	19.1	4	6.0	5°	0.127	0.9	36	5
R3006.B04-05	2.8	5	12.7	M3	19.1	4	6.0	5°	0.127	0.9	36	5
R3006.B04-06	2.8	6	12.7	M3	19.1	4	6.0	5°	0.127	0.9	36	5
R3006.B05-05	2.8	5	12.7	M3	19.1	5	6.0	5°	0.127	0.9	36	5
R3006.B05-06	2.8	6	12.7	M3	19.1	5	6.0	5°	0.127	0.9	36	5
R3006.B06-06	2.8	6	12.7	M3	19.1	6	6.0	5°	0.127	0.9	36	5
R3006.C03-04	2.8	4	15.9	M4	20.3	3	6.5	5°	0.127	1.5	63	8
R3006.C03-05	2.8	5	15.9	M4	20.3	3	6.5	5°	0.127	1.5	63	8
R3006.C03-06	2.8	6	15.9	M4	20.3	3	6.5	5°	0.127	1.5	63	8
R3006.C03-08	2.8	8	15.9	M4	20.3	3	6.5	5°	0.127	1.5	63	8
R3006.C04-05	2.8	5	15.9	M4	20.3	4	6.5	5°	0.127	1.5	63	8
R3006.C04-06	2.8	6	15.9	M4	20.3	4	6.5	5°	0.127	1.5	63	8
R3006.C04-08	2.8	8	15.9	M4	20.3	4	6.5	5°	0.127	1.5	63	8
R3006.C05-05	2.8	5	15.9	M4	20.3	5	6.5	5°	0.127	1.5	63	8
R3006.C05-06	2.8	6	15.9	M4	20.3	5	6.5	5°	0.127	1.5	63	8
R3006.C05-08	2.8	8	15.9	M4	20.3	5	6.5	5°	0.127	1.5	63	8

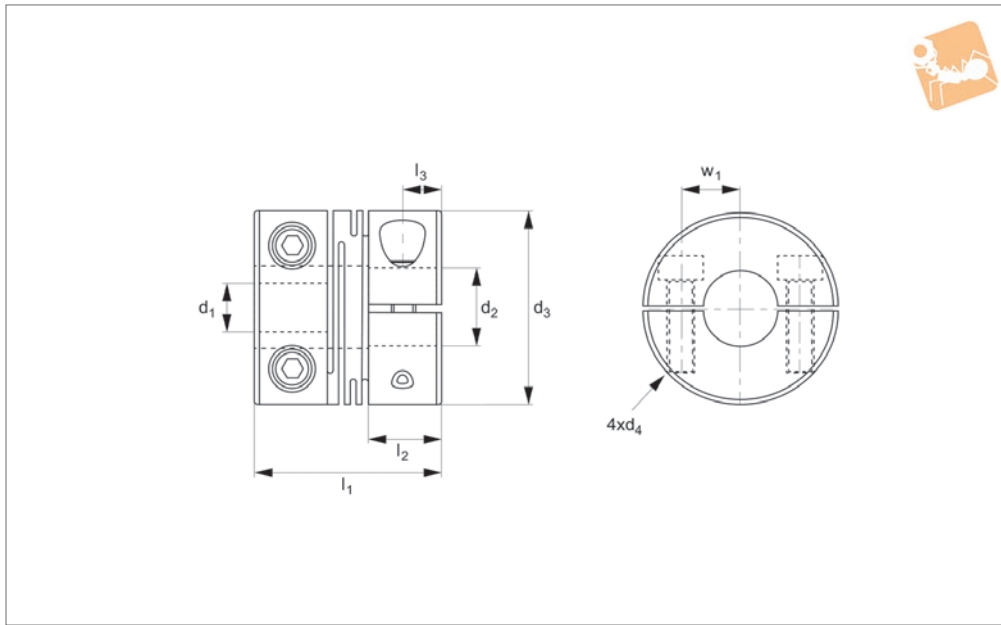
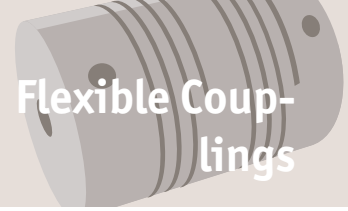


Order No.	d ₁	d ₂	d ₃	d ₄	l ₁	l ₂	n	Ang. offset	Par. offset mm	Torque Nm max.	Tors. stiffness Nm/rad	Weight g
R3006.C06-06	2.8	6	15.9	M4	20.3	6	6.5	5°	0.127	1.5	63	8
R3006.C06-08	2.8	8	15.9	M4	20.3	6	6.5	5°	0.127	1.5	63	8
R3006.C08-08	2.8	8	15.9	M4	20.3	8	6.5	5°	0.127	1.5	63	8
R3006.D03-05	2.8	5	19.1	M4	22.9	3	6.5	5°	0.127	2.5	50	15
R3006.D03-06	2.8	6	19.1	M4	22.9	3	6.5	5°	0.127	2.5	50	15
R3006.D03-08	2.8	8	19.1	M4	22.9	5	6.5	5°	0.127	2.5	50	15
R3006.D04-05	2.8	5	19.1	M4	22.9	4	6.5	5°	0.127	2.5	50	15
R3006.D04-06	2.8	6	19.1	M4	22.9	4	6.5	5°	0.127	2.5	50	15
R3006.D04-08	2.8	8	19.1	M4	22.9	4	6.5	5°	0.127	2.5	50	15
R3006.D05-05	2.8	5	19.1	M4	22.9	5	6.5	5°	0.127	2.5	50	15
R3006.D05-06	2.8	6	19.1	M4	22.9	5	6.5	5°	0.127	2.5	50	15
R3006.D05-08	2.8	8	19.1	M4	22.9	5	6.5	5°	0.127	2.5	50	15
R3006.D06-06	2.8	8	19.1	M4	22.9	5	6.5	5°	0.127	2.5	50	15
R3006.D06-08	2.8	8	19.1	M4	22.9	5	6.5	5°	0.127	2.5	50	15
R3006.D08-08	2.8	8	19.1	M4	22.9	5	6.5	5°	0.127	2.5	50	15
R3006.E05-06	4.8	6	25.4	M5	31.8	5	9	5°	0.127	4	104	40
R3006.E05-08	4.8	8	25.4	M5	31.8	5	9	5°	0.127	4	104	40
R3006.E05-10	4.8	10	25.4	M5	31.8	5	9	5°	0.127	4	104	40
R3006.E06-06	4.8	6	25.4	M5	31.8	6	9	5°	0.127	4	104	40
R3006.E06-08	4.8	8	25.4	M5	31.8	6	9	5°	0.127	4	104	40
R3006.E06-10	4.8	10	25.4	M5	31.8	6	9	5°	0.127	4	104	40
R3006.E08-08	4.8	8	25.4	M5	31.8	8	9	5°	0.127	4	104	40
R3006.E08-10	4.8	10	25.4	M5	31.8	8	9	5°	0.127	4	104	40
R3006.E10-10	4.8	10	25.4	M5	31.8	10	9	5°	0.127	4	104	40



Beamed Coupling - three beam stainless steel, set screw type

Flexible Couplings



R3007

FLEXIBLE COUPLINGS

Material

Stainless steel 1.4435 (AISI 316L)

Technical Notes

One piece construction, no mechanical joints.

No backlash.

Constant velocity.

Torsionally rigid.

High flexibility.

Temperature range -40°C to +120°C.

Central relief diameter may be smaller than

bore in some cases.

Max Torque:

Select the size where max.torque exceeds the application target service factor.

Service Factors:

Shock + reversing = 2

Non reversing = 1,5

Steady load = 1

Max. rpm = 5,000

Torsional stiffness:

based on - bore diameter of minimum D_2 for size at load of (max torque/2).

Tips

Suitable for:

encoders, stepper motors, precision ball screws, robotics, scientific equipment, measuring systems, medical systems, pumps, servo systems etc.

Order No.	d ₁	d ₂	d ₃	d ₄	l ₁	l ₂	n	Ang. offset	Par. offset mm	Torque Nm max.	Tors. stiffness Nm/rad	Weight g
R3007.A02-03	1.9	3	9.5	M2,5	14.2	2	4.5	3°	0.100	0.4	4	5
R3007.A02-04	1.9	4	9.5	M2,5	14.2	2	4.5	3°	0.100	0.4	4	5
R3007.A03-03	1.9	3	9.5	M2,5	14.2	3	4.5	3°	0.100	0.4	4	5
R3007.A03-04	1.9	4	9.5	M2,5	14.2	3	4.5	3°	0.100	0.4	4	5
R3007.A04-04	1.9	4	9.5	M2,5	14.2	4	4.5	3°	0.100	0.4	4	5
R3007.B03-04	2.8	4	12.7	M3	19.1	3	6.0	5°	0.127	1.0	63	13
R3007.B03-05	2.8	5	12.7	M3	19.1	3	6.0	5°	0.127	1.0	63	13
R3007.B04-04	2.8	4	12.7	M3	19.1	4	6.0	5°	0.127	1.0	63	13
R3007.B04-05	2.8	5	12.7	M3	19.1	4	6.0	5°	0.127	1.0	63	13
R3007.B04-06	2.8	6	12.7	M3	19.1	4	6.0	5°	0.127	1.0	63	13
R3007.B05-05	2.8	5	12.7	M3	19.1	5	6.0	5°	0.127	1.0	63	13
R3007.C03-04	2.8	4	15.9	M4	20.3	3	6.0	5°	0.127	1.8	100	21
R3007.C03-05	2.8	5	15.9	M4	20.3	3	6.0	5°	0.127	1.8	100	21
R3007.C03-06	2.8	6	15.9	M4	20.3	3	6.0	5°	0.127	1.8	100	21
R3007.C04-04	2.8	4	15.9	M4	20.3	4	6.0	5°	0.127	1.8	100	21
R3007.C04-05	2.8	5	15.9	M4	20.3	4	6.0	5°	0.127	1.8	100	21
R3007.C04-06	2.8	6	15.9	M4	20.3	4	6.0	5°	0.127	1.8	100	21
R3007.C05-04	2.8	4	15.9	M4	20.3	5	6.0	5°	0.127	1.8	100	21
R3007.C05-05	2.8	5	15.9	M4	20.3	5	6.0	5°	0.127	1.8	100	21
R3007.C05-06	2.8	6	15.9	M4	20.3	5	6.0	5°	0.127	1.8	100	21
R3007.C06-06	2.8	6	15.9	M4	20.3	6	6.0	5°	0.127	1.8	100	21
R3007.D03-05	2.8	5	19.1	M4	22.9	3	6.5	5°	0.127	2.7	80	40
R3007.D03-06	2.8	6	19.1	M4	22.9	3	6.5	5°	0.127	2.7	80	40
R3007.D03-08	2.8	8	19.1	M4	22.9	3	6.5	5°	0.127	2.7	80	40

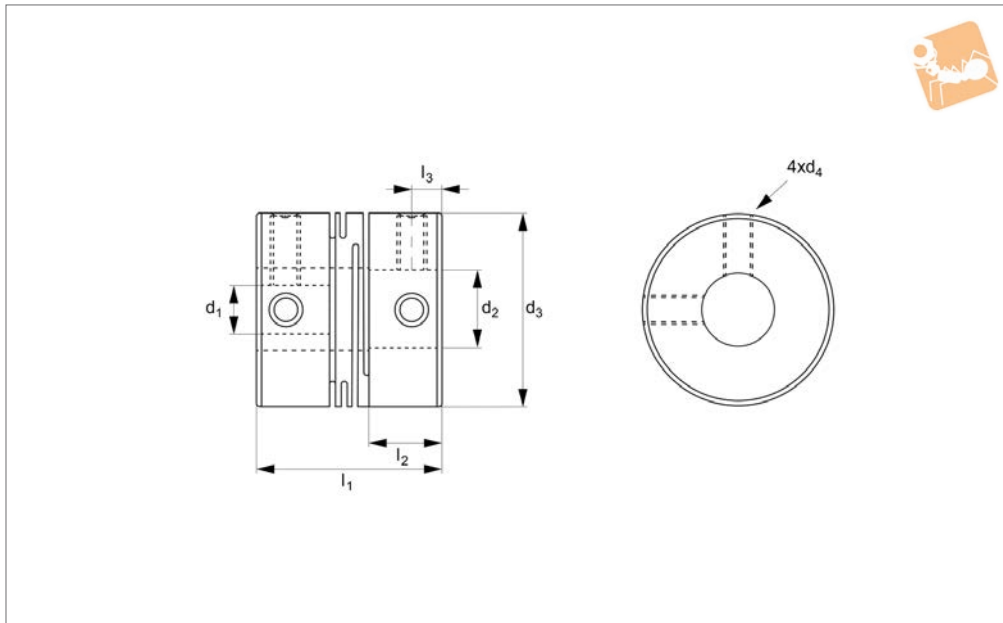
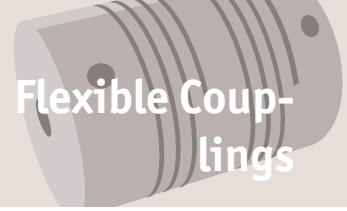


Order No.	d ₁	d ₂	d ₃	d ₄	l ₁	l ₂	n	Ang. offset	Par. offset mm	Torque Nm max.	Tors. stiffness Nm/rad	Weight g
R3007.D04-05	2.8	5	19.1	M4	22.9	4	6.5	5°	0.127	2.7	80	40
R3007.D04-06	2.8	6	19.1	M4	22.9	4	6.5	5°	0.127	2.7	80	40
R3007.D04-08	2.8	8	19.1	M4	22.9	4	6.5	5°	0.127	2.7	80	40
R3007.D05-05	2.8	5	19.1	M4	22.9	5	6.5	5°	0.127	2.7	80	40
R3007.D05-06	2.8	6	19.1	M4	22.9	5	6.5	5°	0.127	2.7	80	40
R3007.D05-08	2.8	8	19.1	M4	22.9	5	6.5	5°	0.127	2.7	80	40
R3007.D06-06	2.8	6	19.1	M4	22.9	6	6.5	5°	0.127	2.7	80	40
R3007.D06-08	2.8	8	19.1	M4	22.9	6	6.5	5°	0.127	2.7	80	40
R3007.D08-08	2.8	8	19.1	M4	22.9	8	6.5	5°	0.127	2.7	80	40
R3007.E05-06	4.8	6	25.4	M5	31.8	5	9.0	5°	0.127	6.0	163	106
R3007.E05-08	4.8	8	25.4	M5	31.8	5	9.0	5°	0.127	6.0	163	106
R3007.E05-10	4.8	10	25.4	M5	31.8	5	9.0	5°	0.127	6.0	163	106
R3007.E06-06	4.8	6	25.4	M5	31.8	6	9.0	5°	0.127	6.0	163	106
R3007.E06-08	4.8	8	25.4	M5	31.8	6	9.0	5°	0.127	6.0	163	106
R3007.E06-10	4.8	10	25.4	M5	31.8	6	9.0	5°	0.127	6.0	163	106
R3007.E08-08	4.8	8	25.4	M5	31.8	8	9.0	5°	0.127	6.0	163	106
R3007.E08-10	4.8	10	25.4	M5	31.8	8	9.0	5°	0.127	6.0	163	106
R3007.E10-10	4.8	10	25.4	M5	31.8	10	9	5°	0.127	6.0	163	106



Beamed Coupling - three beam stainless steel, clamp type

Flexible Couplings



R3009

FLEXIBLE COUPLINGS

Material

Stainless steel 1.4435 (AISI 316L)

Technical Notes

One piece construction, no mechanical joints.

No backlash.

Constant velocity.

Torsionally rigid.

High flexibility.

Temperature range -40°C to +120°C.

Central relief diameter may be smaller than

bore in some cases.

Max Torque:

Select the size where max.torque exceeds the application target service factor.

Service Factors:

Shock + reversing = 2

Non reversing = 1,5

Steady load = 1

Max. rpm = 5,000

Torsional stiffness:

based on - bore diameter of minimum D_2 for size at load of (max torque/2).

Tips

Suitable for:

encoders, stepper motors, precision ball screws, robotics, scientific equipment, measuring systems, medical systems, pumps, servo systems etc.

Order No.	d ₁	d ₂	d ₃	d ₄	l ₁	l ₂	n	Ang. offset	Par. offset mm	Torque Nm max.	Tors. stiffness Nm/rad	Weight g
R3009.A02-03	1.9	3	9.5	-	14.2	2	4.5	3°	0.1	0.4	4	5
R3009.A02-04	1.9	4	9.5	-	14.2	2	4.5	3°	0.1	0.4	4	5
R3009.A03-03	1.9	3	9.5	-	14.2	3	4.5	3°	0.1	0.4	4	5
R3009.A03-04	1.9	4	9.5	-	14.2	3	4.5	3°	0.1	0.4	4	5
R3009.A04-04	1.9	4	9.5	-	14.2	4	4.5	3°	0.1	0.4	4	5
R3009.B03-04	2.8	4	12.7	M2	19.1	3	6	5°	0.127	1.0	63	13
R3009.B03-05	2.8	5	12.7	M2	19.1	3	6	5°	0.127	1.0	63	13
R3009.B04-04	2.8	4	12.7	M2	19.1	4	6	5°	0.127	1.0	63	13
R3009.B04-05	2.8	5	12.7	M	19.1	4	6	5°	0.127	1.0	63	13
R3009.B04-06	2.8	6	12.7	M2	19.1	4	6	5°	0.127	1.0	63	13
R3009.B05-05	2.8	5	12.7	M2	19.1	5	6	5°	0.127	1.0	63	13
R3009.C03-04	2.8	4	15.9	M2,5	20.3	3	6.0	5°	0.127	1.8	100	21
R3009.C03-05	2.8	5	15.9	M2,5	20.3	3	6.0	5°	0.127	1.8	100	21
R3009.C03-06	2.8	6	15.9	M2,5	20.3	3	6.0	5°	0.127	1.8	100	21
R3009.C04-04	2.8	4	15.9	M2,5	20.3	4	6.0	5°	0.127	1.8	100	21
R3009.C04-05	2.8	5	15.9	M2,5	20.3	4	6.0	5°	0.127	1.8	100	21
R3009.C04-06	2.8	6	15.9	M2,5	20.3	4	6.0	5°	0.127	1.8	100	21
R3009.C05-04	2.8	4	15.9	M2,5	20.3	5	6.0	5°	0.127	1.8	100	21
R3009.C05-05	2.8	5	15.9	M2,5	20.3	5	6.0	5°	0.127	1.8	100	21
R3009.C05-06	2.8	6	15.9	M2,5	20.3	5	6.0	5°	0.127	1.8	100	21
R3009.C06-06	2.8	6	15.9	M2,5	20.3	6	6.0	5°	0.127	1.8	100	21
R3009.D03-05	2.8	5	19.1	M2,5	22.9	3	6.5	5°	0.127	2.7	80	40
R3009.D03-06	2.8	6	19.1	M2,5	22.9	3	6.5	5°	0.127	2.7	80	40
R3009.D03-08	2.8	8	19.1	M2,5	22.9	3	6.5	5°	0.127	2.7	80	40



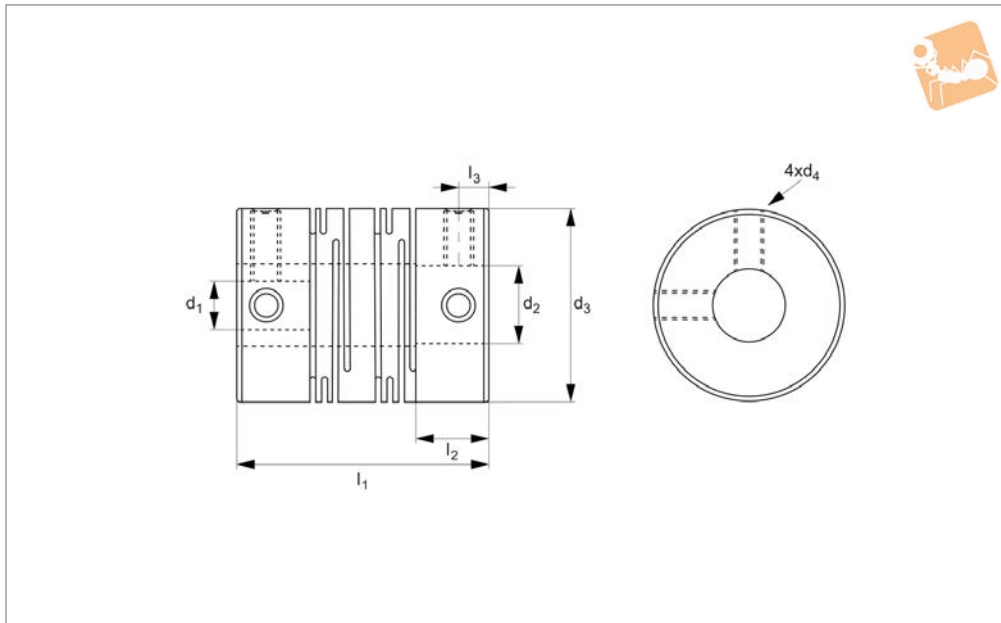
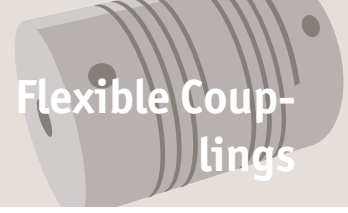
Order No.	d ₁	d ₂	d ₃	d ₄	l ₁	l ₂	n	Ang. offset	Par. offset mm	Torque Nm max.	Tors. stiffness Nm/rad	Weight g
R3009.D04-05	2.8	5	19.1	M2,5	22.9	4	6.5	5°	0.127	2.7	80	40
R3009.D04-06	2.8	6	19.1	M2,5	22.9	4	6.5	5°	0.127	2.7	80	40
R3009.D04-08	2.8	8	19.1	M2,5	22.9	4	6.5	5°	0.127	2.7	80	40
R3009.D05-05	2.8	5	19.1	M2,5	22.9	5	6.5	5°	0.127	2.7	80	40
R3009.D05-06	2.8	6	19.1	M2,5	22.9	5	6.5	5°	0.127	2.7	80	40
R3009.D05-08	2.8	8	19.1	M2,5	22.9	5	6.5	5°	0.127	2.7	80	40
R3009.D06-06	2.8	6	19.1	M2,5	22.9	6	6.5	5°	0.127	2.7	80	40
R3009.D06-08	2.8	8	19.1	M2,5	22.9	6	6.5	5°	0.127	2.7	80	40
R3009.D08-08	2.8	8	19.1	M2,5	22.9	8	6.5	5°	0.127	2.7	80	40
R3009.E05-06	4.8	6	25.4	M3	31.8	5	9.0	5°	0.127	6.0	163	106
R3009.E05-08	4.8	8	25.4	M3	31.8	5	9.0	5°	0.127	6.0	163	106
R3009.E05-10	4.8	10	25.4	M3	31.8	5	9.0	5°	0.127	6.0	163	106
R3009.E06-06	4.8	6	25.4	M3	31.8	6	9.0	5°	0.127	6.0	163	106
R3009.E06-08	4.8	8	25.4	M3	31.8	6	9.0	5°	0.127	6.0	163	106
R3009.E06-10	4.8	10	25.4	M3	31.8	6	9.0	5°	0.127	6.0	163	106
R3009.E08-08	4.8	8	25.4	M3	31.8	8	9.0	5°	0.127	6.0	163	106
R3009.E08-10	4.8	10	25.4	M3	31.8	8	9.0	5°	0.127	6.0	163	106
R3009.E10-10	4.8	10	25.4	M3	31.8	10	9.0	5°	0.127	6.0	163	106



Spiral Beam Coupling - Stainless Steel

set screw - long type

Flexible Couplings



R3002.1

FLEXIBLE COUPLINGS

Material

Stainless steel, SUS303

Technical Notes

Zero backlash.

The flexure allowed by the beam portion of the coupling is capable of accommodating

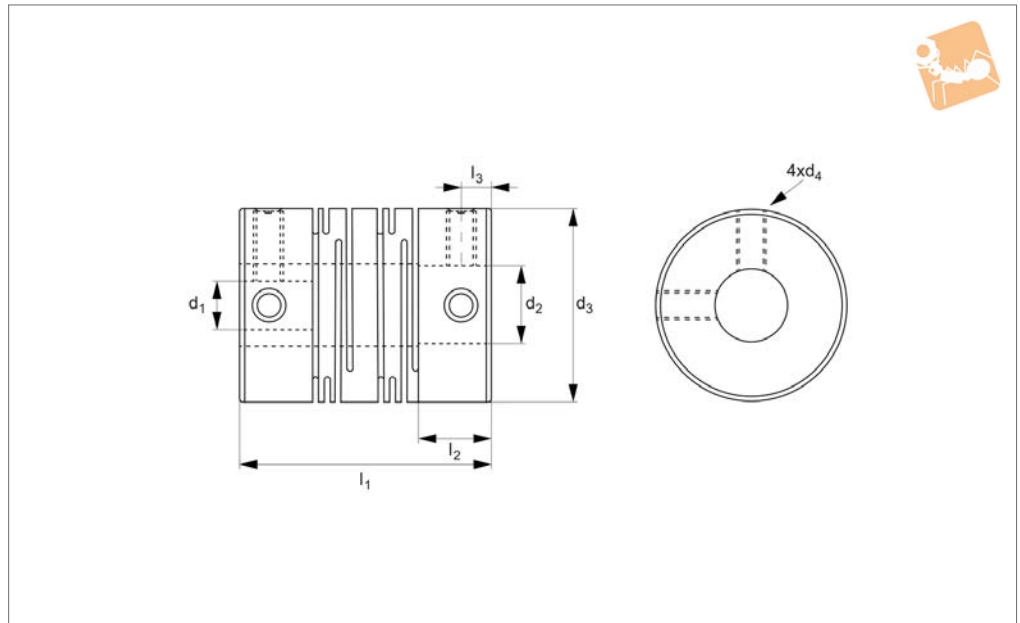
parallel, angular and axial misalignment. High wrench torque rigidity and sensitivity. Rotation character of clockwise or anti-clockwise are exactly the same. Free maintenance, oil-resist and anti-

corrosiveness. Offset of angular, parallel or axial deviation are individual allowed value, so couple reasons of axial offset appearing at the same time would reduce unit allowable value.

Order No.	d ₁	d ₂	d ₃	d ₄	l ₁	l ₂	l ₃
R3002.A-2-2	2	2	8	2.0	14.0	3.5	1.7
R3002.A-2-3	2	3	8	2.0	14.0	3.5	1.7
R3002.A-3-3	3	3	8	2.0	14.0	3.5	1.7
R3002.B-3-3	3	3	12	2.5	18.5	5.0	2.5
R3002.B-3-4	3	4	12	2.5	18.5	5.0	2.5
R3002.B-4-4	4	4	12	2.5	18.5	5.0	2.5
R3002.B-4-5	4	5	12	2.5	18.5	5.0	2.5
R3002.B-5-5	5	5	12	2.5	18.5	5.0	2.5
R3002.B-5-6	5	6	12	2.5	18.5	5.0	2.5
R3002.C-4-4	4	4	16	3	23.0	6.5	3
R3002.C-4-5	4	5	16	3	23.0	6.5	3
R3002.C-4-6	4	6	16	3	23.0	6.5	3
R3002.C-5-5	5	5	16	3	23.0	6.5	3
R3002.C-5-6	5	6	16	3	23.0	6.5	3
R3002.C-5-7	5	7	16	3	23.0	6.5	3
R3002.C-5-8	5	8	16	3	23.0	6.5	3
R3002.C-6-6	6	6	16	3	23.0	6.5	3
R3002.C-6-7	6	7	16	3	23.0	6.5	3
R3002.C-6-8	6	8	16	3	23.0	6.5	3
R3002.D-5-5	5	5	20	3	26.0	7.5	3
R3002.D-5-6	5	6	20	3	26.0	7.5	3
R3002.D-5-7	5	7	20	3	26.0	7.5	3
R3002.D-5-8	5	8	20	3	26.0	7.5	3
R3002.D-6-6	6	6	20	3	26.0	7.5	3
R3002.D-6-7	6	7	20	3	26.0	7.5	3
R3002.D-6-8	6	8	20	3	26.0	7.5	3
R3002.D-6-10	5	5	20	3	26.0	7.5	3
R3002.D-8-8	8	8	20	3	26.0	7.5	3
R3002.D-8-10	8	10	20	3	26.0	7.5	3
R3002.D-10-10	10	10	20	3	26.0	7.5	3



R3002.2



Material

Stainless steel, SUS303

Technical Notes

Zero backlash.

The flexure allowed by the beam portion of the coupling is capable of accommodating

parallel, angular and axial misalignment. High wrench torque rigidity and sensitivity. Rotation character of clockwise or anti-clockwise are exactly the same. Free maintenance, oil-resist and anti-

corrosiveness. Offset of angular, parallel or axial deviation are individual allowed value, so couple reasons of axial offset appearing at the same time would reduce unit allowable value.

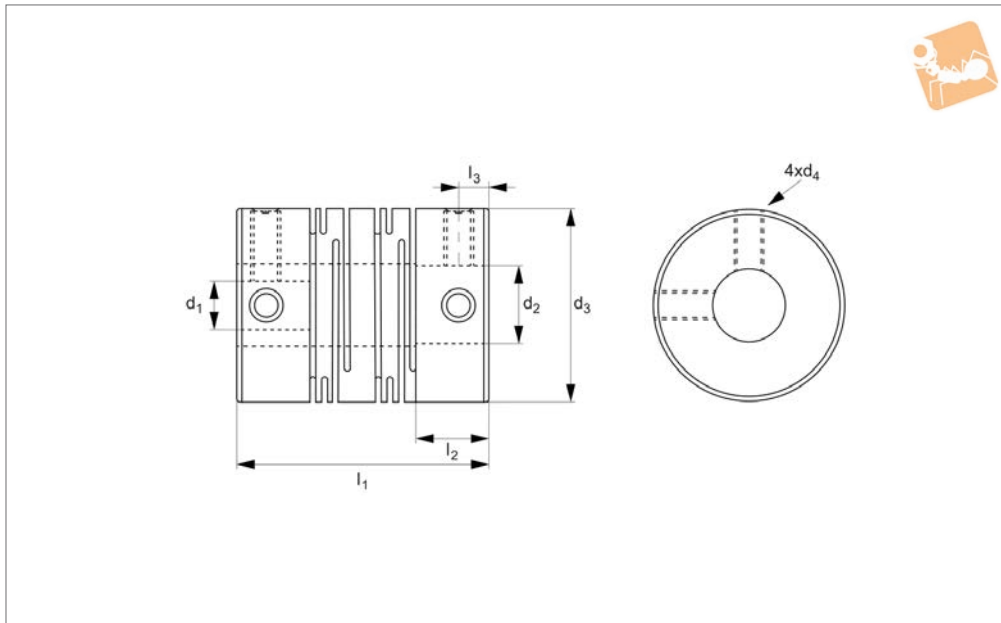
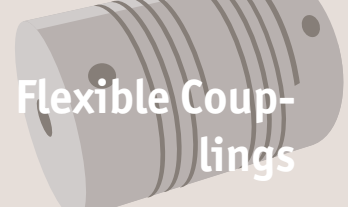
Order No.	d ₁	d ₂	d ₃	d ₄	l ₁	l ₂	l ₃
R3002.E-5-6	5	6	25	4	31	8.5	4.0
R3002.E-6-6	6	6	25	4	31	8.5	4.0
R3002.E-6-8	6	8	25	4	31	8.5	4.0
R3002.E-6-10	6	10	25	4	31	8.5	4.0
R3002.E-8-8	8	8	25	4	31	8.5	4.0
R3002.E-8-10	8	10	25	4	31	8.5	4.0
R3002.E-8-12	8	12	25	4	31	8.5	4.0
R3002.E-10-10	10	10	25	4	31	8.5	4.0
R3002.E-10-11	10	11	25	4	31	8.5	4.0
R3002.E-10-12	10	12	25	4	31	8.5	4.0
R3002.E-12-12	12	12	25	4	31	8.5	4.0
R3002.F-6-8	6	8	32	4	41	12	6.0
R3002.F-8-8	8	8	32	4	41	12	6.0
R3002.F-8-10	8	10	32	4	41	12	6.0
R3002.F-8-12	8	12	32	4	41	12	6.0
R3002.F-10-10	10	10	32	4	41	12	6.0
R3002.F-10-11	10	11	32	4	41	12	6.0
R3002.F-10-12	10	12	32	4	41	12	6.0
R3002.F-10-14	10	14	32	4	41	12	6.0
R3002.F-12-12	12	12	32	4	41	12	6.0
R3002.F-12-14	12	14	32	4	41	12	6.0
R3002.F-14-14	14	14	32	4	41	12	6.0
R3002.F-14-16	14	16	32	4	41	12	6.0
R3002.G-10-10	10	10	40	5	56	17	8.5
R3002.G-12-12	12	12	40	5	56	17	8.5
R3002.G-14-14	14	14	40	5	56	17	8.5
R3002.G-14-16	14	16	40	5	56	17	8.5
R3002.G-14-18	14	18	40	5	56	17	8.5
R3002.G-15-15	15	15	40	5	56	17	8.5
R3002.G-16-16	16	16	40	5	56	17	8.5
R3002.G-16-18	16	18	40	5	56	17	8.5
R3002.G-18-18	18	18	40	5	56	17	8.5



Spiral Beam Coupling - Aluminium

set screw - long type

Flexible Couplings



R3003.1

FLEXIBLE COUPLINGS

Material

Anodized aluminium AL7075

Technical Notes

Zero backlash.

The flexure allowed by the beam portion of the coupling is capable of accommodating

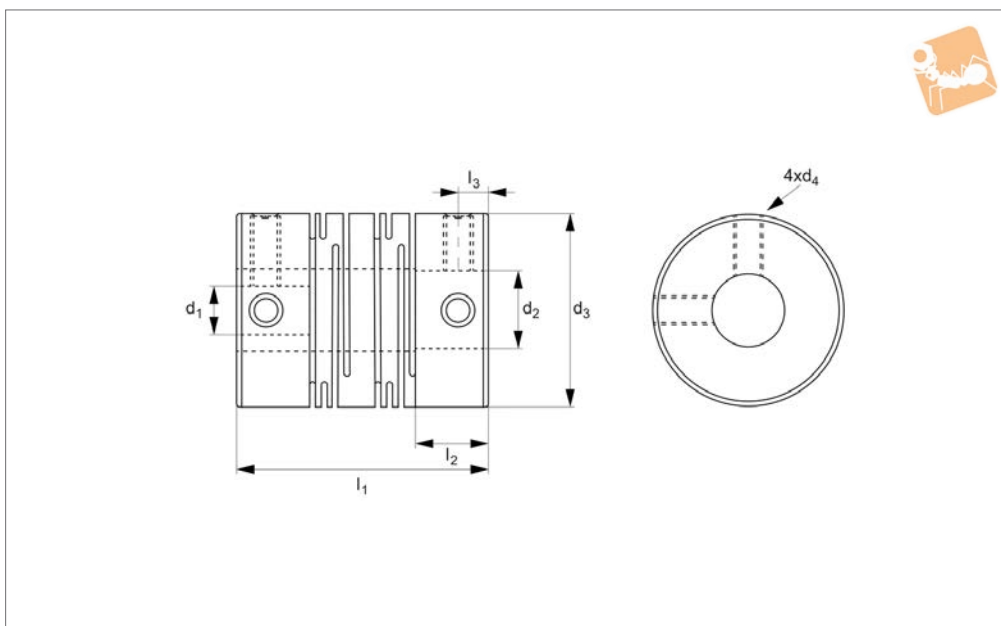
parallel, angular and axial misalignment. High wrench torque rigidity and sensitivity. Rotation character of clockwise or anti-clockwise are exactly the same. Free maintenance, oil-resist and anti-

corrosiveness. Offset of angular, parallel or axial deviation are individual allowed value, so couple reasons of axial offset appearing at the same time would reduce unit allowable value.

Order No.	d ₁ tol. h8	d ₂ tol. h8	d ₃	d ₄	l ₁	l ₂	l ₃
R3003.A-2-2	2	2	8	M2	14	3.5	1.7
R3003.A-2-3	2	3	8	M2	14	3.5	1.7
R3003.A-3-3	3	3	8	M2	14	3.5	1.7
R3003.B-3-3	3	3	12	M2,5	18.5	5	2.5
R3003.B-3-4	3	4	12	M2,5	18.5	5	2.5
R3003.B-4-4	4	4	12	M2,5	18.5	5	2.5
R3003.B-4-5	4	5	12	M2,5	18.5	5	2.5
R3003.B-5-5	5	5	12	M2,5	18.5	5	2.5
R3003.B-5-6	5	6	12	M2,5	18.5	5	2.5
R3003.C-4-4	4	4	16	M3	23	6.5	3
R3003.C-4-5	4	5	16	M3	23	6.5	3
R3003.C-4-6	4	6	16	M3	23	6.5	3
R3003.C-5-5	5	5	16	M3	23	6.5	3
R3003.C-5-6	5	6	16	M3	23	6.5	3
R3003.C-5-7	5	7	16	M3	23	6.5	3
R3003.C-5-8	5	8	16	M3	23	6.5	3
R3003.C-6-6	6	6	16	M3	23	6.5	3
R3003.C-6-7	6	7	16	M3	23	6.5	3
R3003.C-6-8	6	8	16	M3	23	6.5	3
R3003.D-5-5	5	5	20	M3	26	7.5	3
R3003.D-5-6	5	6	20	M3	26	7.5	3
R3003.D-5-7	5	7	20	M3	26	7.5	3
R3003.D-5-8	5	8	20	M3	26	7.5	3
R3003.D-6-6	6	6	20	M3	26	7.5	3
R3003.D-6-7	6	7	20	M3	26	7.5	3
R3003.D-6-8	6	8	20	M3	26	7.5	3
R3003.D-6-10	5	5	20	M3	26	7.5	3
R3003.D-8-8	8	8	20	M3	26	7.5	3
R3003.D-8-10	8	10	20	M3	26	7.5	3
R3003.D-10-10	10	10	20	M3	26	7.5	3



R3003.2



Material

Anodized aluminium AL7075

Technical Notes

Zero backlash.

The flexure allowed by the beam portion of the coupling is capable of accommodating

parallel, angular and axial misalignment. High wrench torque rigidity and sensitivity. Rotation character of clockwise or anti-clockwise are exactly the same. Free maintenance, oil-resist and anti-

corrosiveness. Offset of angular, parallel or axial deviation are individual allowed value, so couple reasons of axial offset appearing at the same time would reduce unit allowable value.

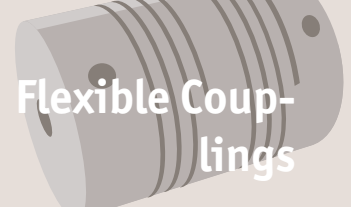
Order No.	d ₁ tol. h8	d ₂ tol. h8	d ₃	d ₄	l ₁	l ₂	l ₃
R3003.E-5-6	5	6	25	M4	31	8.5	4
R3003.E-6-6	6	6	25	M4	31	8.5	4
R3003.E-6-8	6	8	25	M4	31	8.5	4
R3003.E-6-10	6	10	25	M4	31	8.5	4
R3003.E-8-8	8	8	25	M4	31	8.5	4
R3003.E-8-10	8	10	25	M4	31	8.5	4
R3003.E-8-12	8	12	25	M4	31	8.5	4
R3003.E-10-10	10	10	25	M4	31	8.5	4
R3003.E-10-11	10	11	25	M4	31	8.5	4
R3003.E-10-12	10	12	25	M4	31	8.5	4
R3003.E-12-12	12	12	25	M4	31	8.5	4
R3003.F-6-8	6	8	32	M4	41	12	6
R3003.F-8-8	8	8	32	M4	41	12	6
R3003.F-8-10	8	10	32	M4	41	12	6
R3003.F-8-12	8	12	32	M4	41	12	6
R3003.F-10-10	10	10	32	M4	41	12	6
R3003.F-10-11	10	11	32	M4	41	12	6
R3003.F-10-12	10	12	32	M4	41	12	6
R3003.F-10-14	10	14	32	M4	41	12	6
R3003.F-12-12	12	12	32	M4	41	12	6
R3003.F-12-14	12	14	32	M4	41	12	6
R3003.F-14-14	14	14	32	M4	41	12	6
R3003.F-14-16	14	16	32	M4	41	12	6
R3003.G-10-10	10	10	40	M5	56	17	8.5
R3003.G-12-12	12	12	40	M5	56	17	8.5
R3003.G-14-14	14	14	40	M5	56	17	8.5
R3003.G-14-16	14	16	40	M5	56	17	8.5
R3003.G-14-18	14	18	40	M5	56	17	8.5
R3003.G-15-15	15	15	40	M5	56	17	8.5
R3003.G-16-16	16	16	40	M5	56	17	8.5
R3003.G-16-18	16	18	40	M5	56	17	8.5



Spiral Beam Coupling - Aluminium

set screw - long type

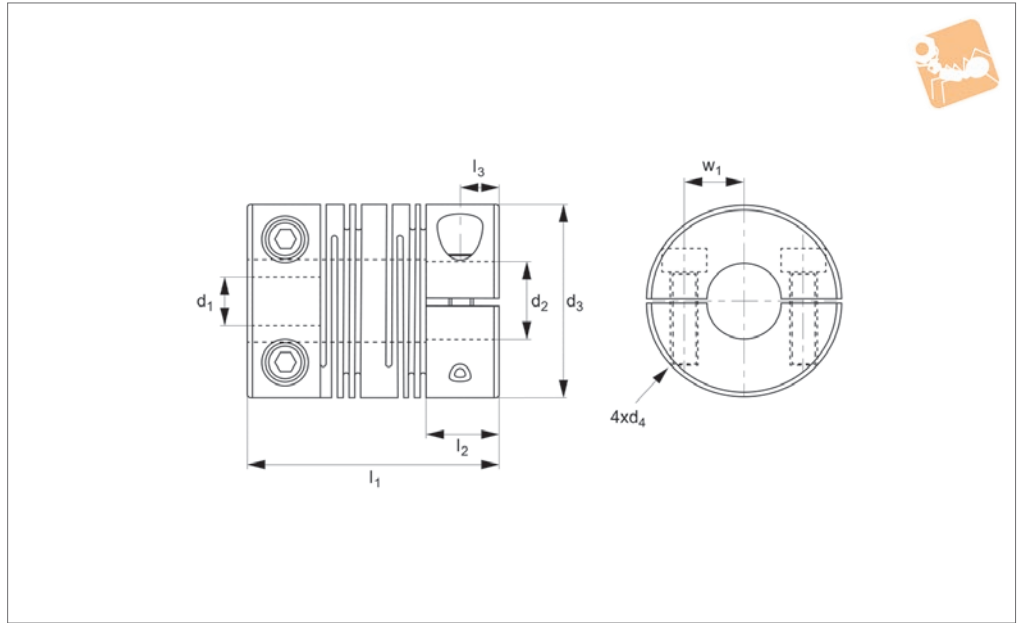
Flexible Couplings



Order No.	d_1 tol. h8	d_2 tol. h8	d_3	d_4	l_1	l_2	l_3
R3003.G-18-18	18	18	40	M5	56	17	8.5



R3004.1



Material

Stainless steel SUS303

Technical Notes

The flexure allowed by the beam portion of the coupling is capable of accommodating

angular, parallel and axial misalignment. Free maintenance, oil-resist and anti-corrosiveness. Rotation character of clockwise or anti-clockwise are exactly the same.

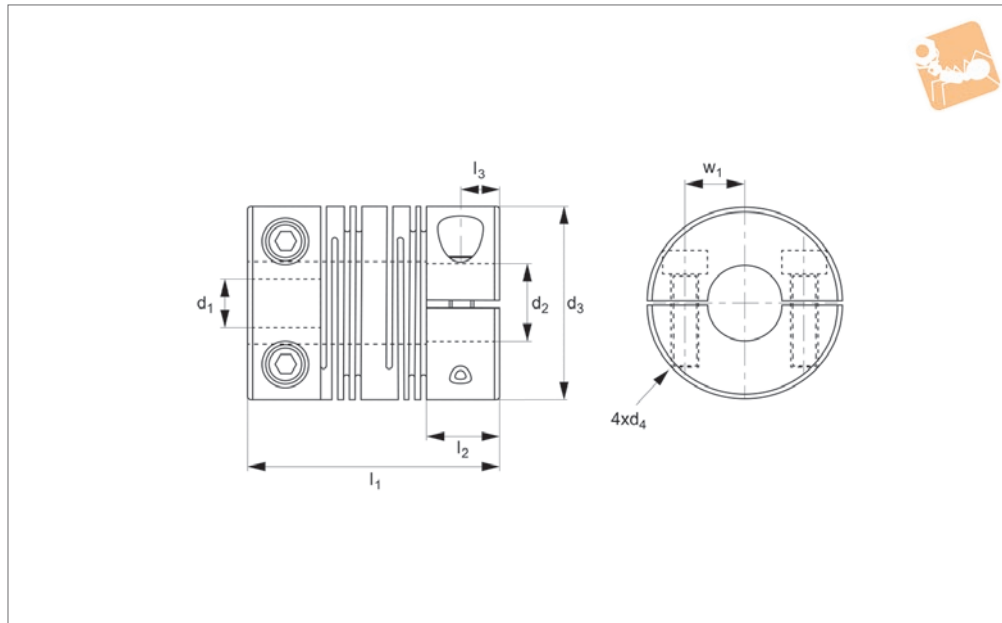
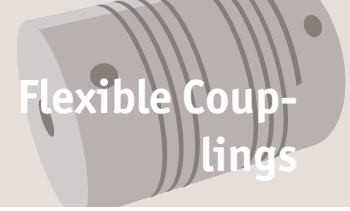
Offset of angular, parallel or axial deviation are individual allowed value, so couple reasons of axial offset appearing at same time would reduce the unit allowable value.

Order No.	d_1 tol. h8	d_2 tol. h8	d_3	d_4	l_1	l_2	l_3	w
R3004.A-4-4	4	4	12	M2	18.5	5	2.5	4
R3004.A-4-5	4	5	12	M2	18.5	5	2.5	4
R3004.A-5-5	5	5	12	M2	18.5	5	2.5	4
R3004.B-5-5	5	5	16	M2,5	26	6.5	3.25	5
R3004.B-5-6	5	6	16	M2,5	26	6.5	3.25	5
R3004.B-6-6	6	6	16	M2,5	26	6.5	3.25	5
R3004.C-5-6	5	6	20	M2,5	26	7.5	3.75	6.5
R3004.C-5-7	5	7	20	M2,5	26	7.5	3.75	6.5
R3004.C-5-8	5	8	20	M2,5	26	7.5	3.75	6.5
R3004.C-6-6	6	6	20	M2,5	26	7.5	3.75	6.5
R3004.C-6-7	6	7	20	M2,5	26	7.5	3.75	6.5
R3004.C-6-8	6	8	20	M2,5	26	7.5	3.75	6.5
R3004.C-8-8	8	8	20	M2,5	26	7.5	3.75	6.5
R3004.D-5-6	5	6	25	M3	31	8.5	4.25	9
R3004.D-6-6	6	6	25	M3	31	8.5	4.25	9
R3004.D-6-8	6	8	25	M3	31	8.5	4.25	9
R3004.D-6-10	6	10	25	M3	31	8.5	4.25	9
R3004.D-8-8	8	8	25	M3	31	8.5	4.25	9
R3004.D-8-10	8	10	25	M3	31	8.5	4.25	9
R3004.D-10-10	10	10	25	M3	31	8.5	4.25	9



Spiral Beam Coupling - stainless steel clamping type - long type

Flexible Couplings



R3004.2

FLEXIBLE COUPLINGS

Material

Stainless steel SUS303

Technical Notes

The flexure allowed by the beam portion of the coupling is capable of accommodating

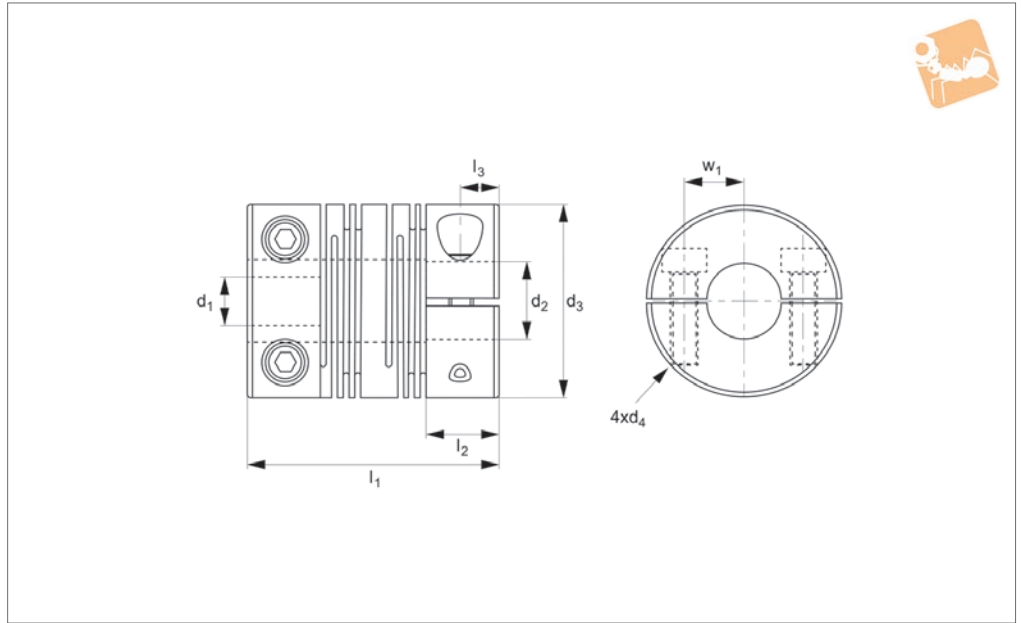
angular, parallel and axial misalignment. Free maintenance, oil-resist and anti-corrosiveness. Rotation character of clockwise or anti-clockwise are exactly the same.

Offset of angular, parallel or axial deviation are individual allowed value, so couple reasons of axial offset appearing at same time would reduce the unit allowable value.

Order No.	d ₁ tol. h8	d ₂ tol. h8	d ₃	d ₄	l ₁	l ₂	l ₃	w
R3004.E-8-8	8	8	32	M4	41	12	6	11
R3004.E-8-10	8	10	32	M4	41	12	6	11
R3004.E-8-12	8	12	32	M4	41	12	6	11
R3004.E-10-10	10	10	32	M4	41	12	6	11
R3004.E-10-11	10	11	32	M4	41	12	6	11
R3004.E-10-12	10	12	32	M4	41	12	6	11
R3004.E-10-14	10	14	32	M4	41	12	6	11
R3004.E-12-12	12	12	32	M4	41	12	6	11
R3004.E-12-14	12	14	32	M4	41	12	6	11
R3004.F-8-8	8	8	40	M5	56	17	8.5	14
R3004.F-8-10	8	10	40	M5	56	17	8.5	14
R3004.F-10-10	10	10	40	M5	56	17	8.5	14
R3004.F-12-12	12	12	40	M5	56	17	8.5	14
R3004.F-12-14	12	14	40	M5	56	17	8.5	14
R3004.F-14-14	14	14	40	M5	56	17	8.5	14
R3004.F-14-16	14	16	40	M5	56	17	8.5	14
R3004.F-15-15	15	15	40	M5	56	17	8.5	14
R3004.F-16-16	16	16	40	M5	56	17	8.5	14



R3005.1



Material

Anodized aluminium AL7075

Technical Notes

The flexure allowed by the beam portion of the coupling is capable of accommodating

angular, parallel and axial misalignment. Free maintenance, oil-resist and anti-corrosiveness. Rotation character of clockwise or anti-clockwise are exactly the same.

Offset of angular, parallel or axial deviation are individual allowed value, so couple reasons of axial offset appearing at same time would reduce the unit allowable value..

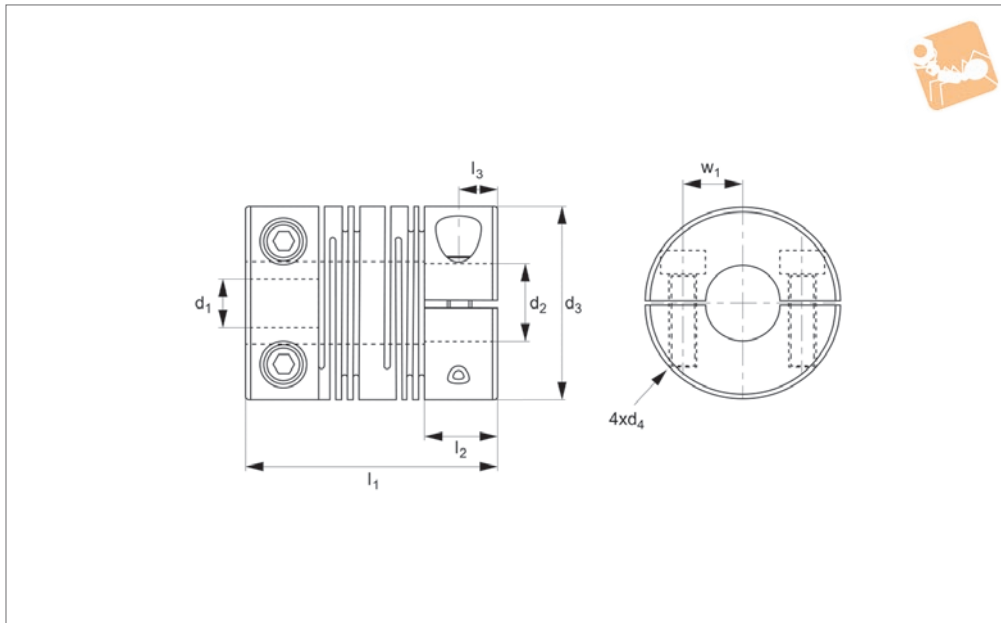
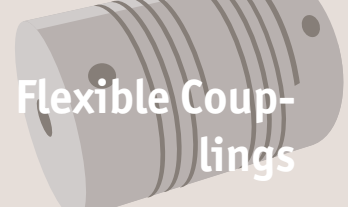
Order No.	d_1 tol. h8	d_2 tol. h8	d_3	d_4	l_1	l_2	l_3	w_1
R3005.A-4-4	4	4	12	M2	18.5	5	2.5	4
R3005.A-4-5	4	5	12	M2	18.5	5	2.5	4
R3005.A-5-5	5	5	12	M2	18.5	5	2.5	4
R3005.B-5-5	5	5	16	M2,5	23	6.5	3.25	5
R3005.B-5-6	5	6	16	M2,5	23	6.5	3.25	5
R3005.B-6-6	6	6	16	M2,5	23	6.5	3.25	5
R3005.C-5-6	5	6	20	M2,5	26	7.5	3.75	6.5
R3005.C-5-7	5	7	20	M2,5	26	7.5	3.75	6.5
R3005.C-5-8	5	8	20	M2,5	26	7.5	3.75	6.5
R3005.C-6-6	6	6	20	M2,5	26	7.5	3.75	6.5
R3005.C-6-7	6	7	20	M2,5	26	7.5	3.75	6.5
R3005.C-6-8	6	8	20	M2,5	26	7.5	3.75	6.5
R3005.C-8-8	8	8	20	M2,5	26	7.5	3.75	6.5
R3005.D-5-6	5	6	25	M3	31	8.5	4.25	9
R3005.D-6-6	6	6	25	M3	31	8.5	4.25	9
R3005.D-6-8	6	8	25	M3	31	8.5	4.25	9
R3005.D-6-10	6	10	25	M3	31	8.5	4.25	9
R3005.D-8-8	8	8	25	M3	31	8.5	4.25	9
R3005.D-8-10	8	10	25	M3	31	8.5	4.25	9
R3005.D-10-10	10	10	25	M3	31	8.5	4.25	9



Spiral Beam Coupling - Aluminium

clamping type - long type

Flexible Couplings



R3005.2

FLEXIBLE COUPLINGS

Material

Anodized aluminium AL7075

Technical Notes

The flexure allowed by the beam portion of the coupling is capable of accommodating

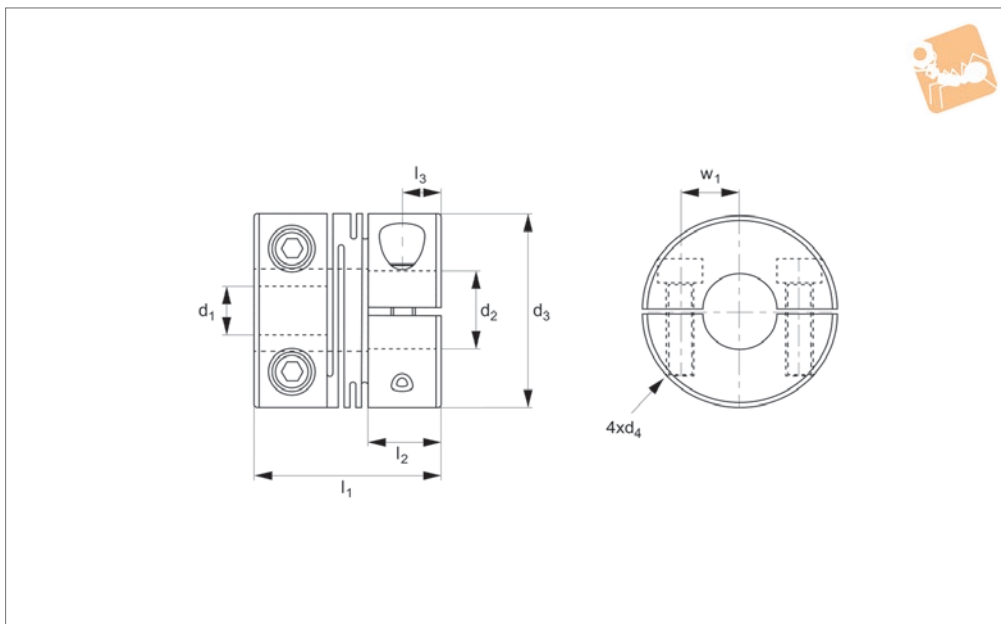
angular, parallel and axial misalignment. Free maintenance, oil-resist and anti-corrosiveness. Rotation character of clockwise or anti-clockwise are exactly the same.

Offset of angular, parallel or axial deviation are individual allowed value, so couple reasons of axial offset appearing at same time would reduce the unit allowable value.

Order No.	d ₁ tol. h8	d ₂ tol. h8	d ₃	d ₄	l ₁	l ₂	l ₃	w ₁
R3005.E-8-8	8	8	32	M4	41	12	6	11
R3005.E-8-10	8	10	32	M4	41	12	6	11
R3005.E-8-12	8	12	32	M4	41	12	6	11
R3005.E-10-10	10	10	32	M4	41	12	6	11
R3005.E-10-11	10	11	32	M4	41	12	6	11
R3005.E-10-12	10	12	32	M4	41	12	6	11
R3005.E-10-14	10	14	32	M4	41	12	6	11
R3005.E-12-12	12	12	32	M4	41	12	6	11
R3005.E-12-14	12	14	32	M4	41	12	6	11
R3005.F-8-8	8	8	40	M5	56	17	8.5	14
R3005.F-8-10	8	10	40	M5	56	17	8.5	14
R3005.F-10-10	10	10	40	M5	56	17	8.5	14
R3005.F-12-12	12	12	40	M5	56	17	8.5	14
R3005.F-12-14	12	14	40	M5	56	17	8.5	14
R3005.F-14-14	14	14	40	M5	56	17	8.5	14
R3005.F-14-16	14	16	40	M5	56	17	8.5	14
R3005.F-15-15	15	15	40	M5	56	17	8.5	14
R3005.F-16-16	16	16	40	M5	56	17	8.5	14



R3006.2



Material

Stainless steel SUS303

Technical Notes

Zero backlash.

The flexure allowed by the beam portion of the coupling is capable of accommodating angular and axial misalignment. High

wrench torque rigidity and sensitivity.

Rotation character of clockwise or anti-clockwise are exactly the same.

Free maintenance, oil-resist and anti-corrossiveness.

R3006 can't allow axial deviation caused by offset.

Offset of angular, parallel or axial deviation are individual allowed value,

so couple reasons of axial offset appearing at same time would reduce the unit allowable value.

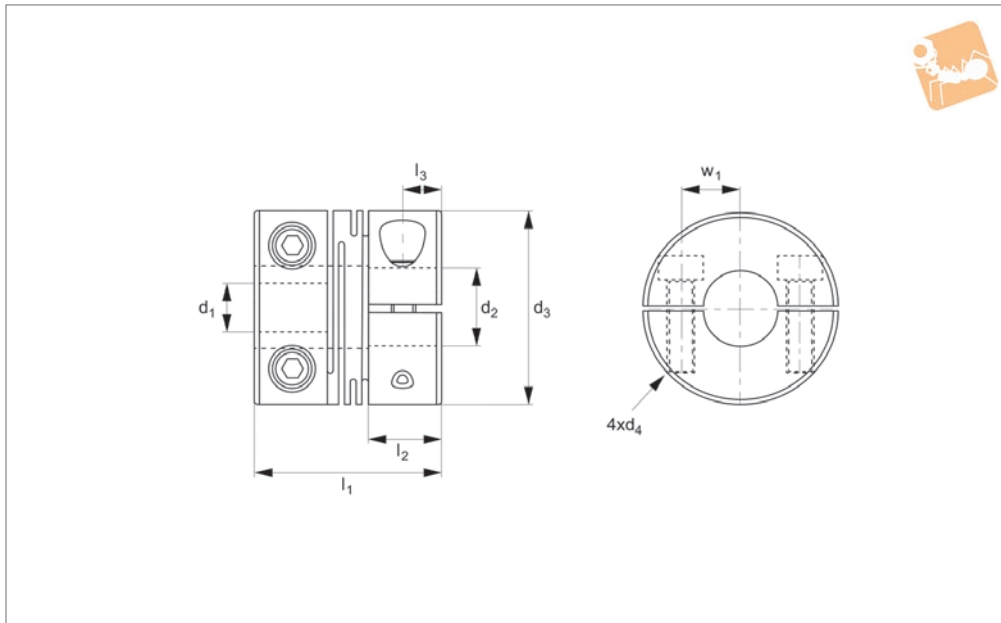
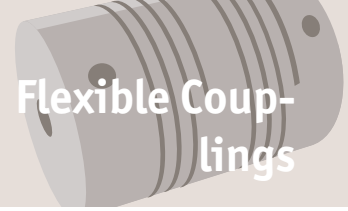
Order No.	d_1 tol. h8	d_2 tol. h8	d_3	d_4	l_1	l_2	l_3	w_1
R3006.A-4-4	4	4	12	M2	14	5.2	2.6	4
R3006.A-4-5	4	5	12	M2	14	5.2	2.6	4
R3006.A-5-5	5	5	12	M2	14	5.2	2.6	4
R3006.B-5-5	5	5	16	M2,5	18	6.8	3.4	5
R3006.B-5-6	5	6	16	M2,5	18	6.8	3.4	5
R3006.B-6-6	6	6	16	M2,5	18	6.8	3.4	5
R3006.C-5-6	5	6	20	M2,5	20	7.65	3.8	6.5
R3006.C-5-7	5	7	20	M2,5	20	7.65	3.8	6.5
R3006.C-5-8	5	8	20	M2,5	20	7.65	3.8	6.5
R3006.C-6-6	6	6	20	M2,5	20	7.65	3.8	6.5
R3006.C-6-7	6	7	20	M2,5	20	7.65	3.8	6.5
R3006.C-6-8	6	8	20	M2,5	20	7.65	3.8	6.5
R3006.C-8-8	8	8	20	M2,5	20	7.65	3.8	6.5
R3006.D-5-6	5	6	25	M3	25	9.6	4.8	9
R3006.D-6-6	6	6	25	M3	25	9.6	4.8	9
R3006.D-6-8	6	8	25	M3	25	9.6	4.8	9
R3006.D-6-10	6	10	25	M3	25	9.6	4.8	9
R3006.D-8-8	8	8	25	M3	25	9.6	4.8	9
R3006.D-8-10	8	10	25	M3	25	9.6	4.8	9
R3006.D-10-10	10	10	25	M3	25	9.6	4.8	9
R3006.E-8-8	8	8	32	M4	32	12.6	6.3	11
R3006.E-8-10	8	10	32	M4	32	12.6	6.3	11
R3006.E-10-10	10	10	32	M4	32	12.6	6.3	11
R3006.E-10-12	10	12	32	M4	32	12.6	6.3	11
R3006.E-10-14	10	14	32	M4	32	12.6	6.3	11
R3006.E-12-12	12	12	32	M4	32	12.6	6.3	11
R3006.E-12-14	12	14	32	M4	32	12.6	6.3	11



Spiral Beam Coupling - Aluminium

clamping type - short type

Flexible Couplings



R3007.1

FLEXIBLE COUPLINGS

Material

Anodized aluminium AL7075

Technical Notes

Zero backlash.

The flexure allowed by the beam portion of the coupling is capable of accommodating angular and axial misalignment. High

wrench torque rigidity and sensitivity.

Rotation character of clockwise or anti-clockwise are exactly the same.

Free maintenance, oil-resist and anti-corrossiveness.

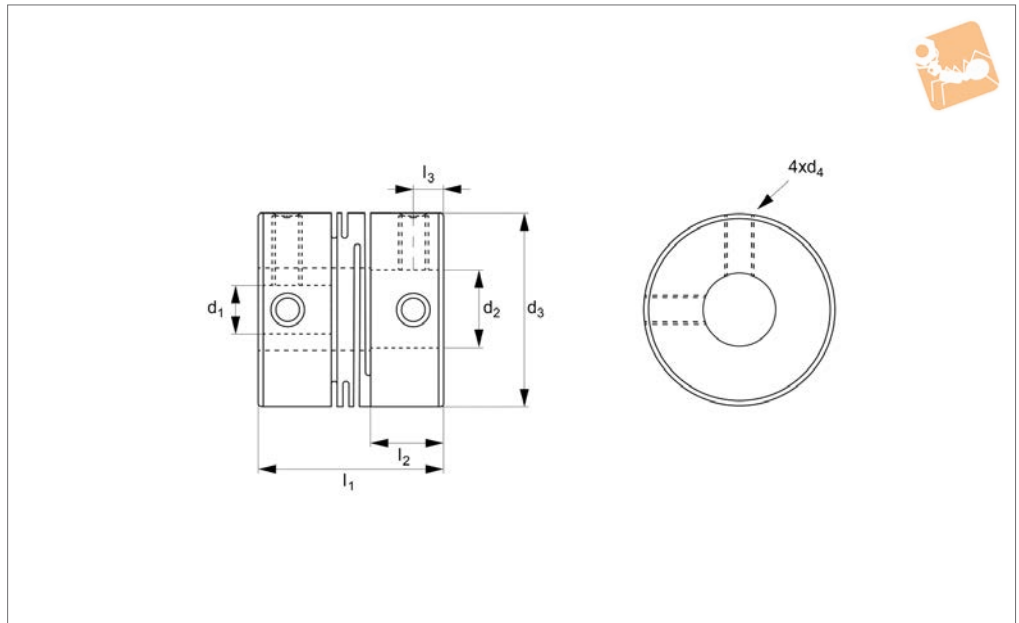
R3007 can't allow axial deviation caused by offset.

Offset of angular, parallel or axial deviation are individual allowed value, so couple reasons of axial offset appearing at same time would reduce the unit allowable value.

Order No.	d ₁ tol. h8	d ₂ tol. h8	d ₃	d ₄	l ₁	l ₂	l ₃	w ₁
R3007.A-4-4	4	4	12	2	14	5.2	2.6	4
R3007.A-4-5	4	5	12	2	14	5.2	2.6	4
R3007.A-5-5	5	5	12	2	14	5.2	2.6	4
R3007.B-5-5	5	5	16	2.5	18	6.8	3.4	5
R3007.B-5-6	5	6	16	2.5	18	6.8	3.4	5
R3007.B-6-6	6	6	16	2.5	18	6.8	3.4	5
R3007.C-5-6	5	6	20	2.5	20	7.65	3.8	6.5
R3007.C-5-7	5	7	20	2.5	20	7.65	3.8	6.5
R3007.C-5-8	5	8	20	2.5	20	7.65	3.8	6.5
R3007.C-6-6	6	6	20	2.5	20	7.65	3.8	6.5
R3007.C-6-7	6	7	20	2.5	20	7.65	3.8	6.5
R3007.C-6-8	6	8	20	2.5	20	7.65	3.8	6.5
R3007.C-8-8	8	8	20	2.5	20	7.65	3.8	6.5
R3007.D-5-6	5	6	25	3	25	9.6	4.8	9
R3007.D-6-6	6	6	25	3	25	9.6	4.8	9
R3007.D-6-8	6	8	25	3	25	9.6	4.8	9
R3007.D-6-10	6	10	25	3	25	9.6	4.8	9
R3007.D-8-8	8	8	25	3	25	9.6	4.8	9
R3007.D-8-10	8	10	25	3	25	9.6	4.8	9
R3007.D-10-10	10	10	25	3	25	9.6	4.8	9
R3007.E-8-8	8	8	32	4	32	12.6	6.3	11
R3007.E-8-10	8	10	32	4	32	12.6	6.3	11
R3007.E-10-10	10	10	32	4	32	12.6	6.3	11
R3007.E-10-12	10	12	32	4	32	12.6	6.3	11
R3007.E-10-14	10	14	32	4	32	12.6	6.3	11
R3007.E-12-12	12	12	32	4	32	12.6	6.3	11
R3007.E-12-14	12	14	32	4	32	12.6	6.3	11



R3008



Material

Stainless steel, SUS303

Technical Notes

Zero backlash.

The flexure allowed by the beam portion of the coupling is capable of accommodating

parallel, angular and axial misalignment. High wrench torque rigidity and sensitivity. Rotation character of clockwise or anti-clockwise are exactly the same. Free maintenance, oil-resist and anti-

corrosiveness. Offset of angular, parallel or axial deviation are individual allowed value, so couple reasons of axial offset appearing at the same time would reduce unit allowable value.

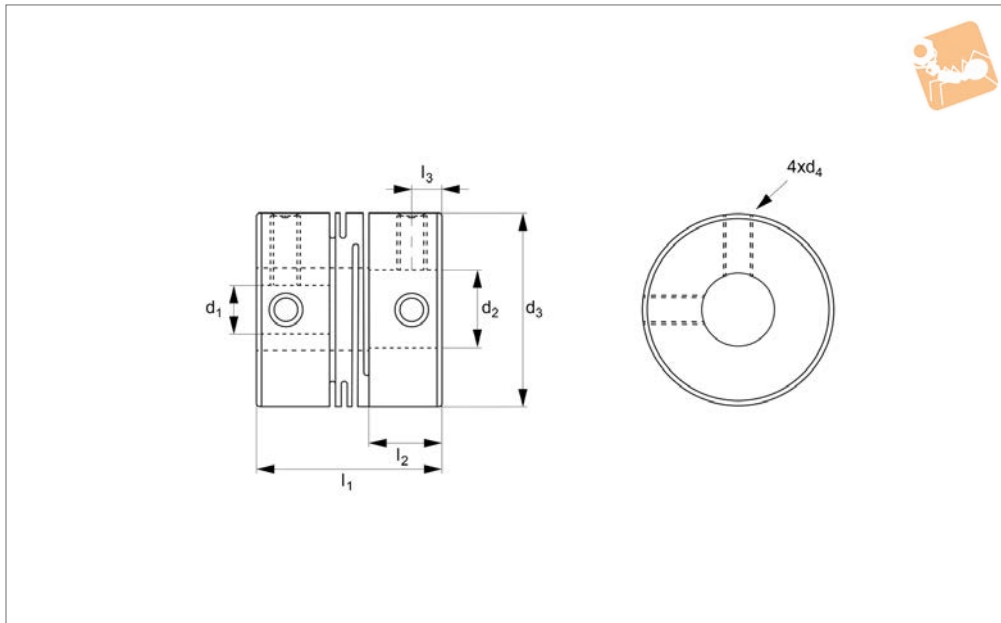
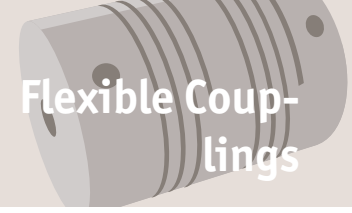
Order No.	d ₁ tol. h8	d ₂ tol. h8	d ₃	d ₄	l ₁	l ₂	l ₃
R3008.A-2-2	2	2	8	M2	10	3.4	1.7
R3008.A-3-3	3	3	8	M2	10	3.4	1.7
R3008.B-4-4	4	4	12	M2,5	14	5.2	2.5
R3008.B-4-5	4	5	12	M2,5	14	5.2	2.5
R3008.B-5-5	5	5	12	M2,5	14	5.2	2.5
R3008.C-5-5	5	5	16	M3	18	6.8	3
R3008.C-5-6	5	6	16	M3	18	6.8	3
R3008.C-6-6	6	6	16	M3	18	6.8	3
R3008.D-5-6	5	6	20	M3	20	7.65	3
R3008.D-5-7	5	7	20	M3	20	7.65	3
R3008.D-5-8	5	8	20	M3	20	7.65	3
R3008.D-6-6	6	6	20	M3	20	7.65	3
R3008.D-6-7	6	7	20	M3	20	7.65	3
R3008.D-6-8	6	8	20	M3	20	7.65	3
R3008.D-8-8	8	8	20	M3	20	7.65	3
R3008.E-5-6	5	6	25	M4	25	9.6	4
R3008.E-6-6	6	6	25	M4	25	9.6	4
R3008.E-6-8	6	8	25	M4	25	9.6	4
R3008.E-6-10	6	10	25	M4	25	9.6	4
R3008.E-8-8	8	8	25	M4	25	9.6	4
R3008.E-8-10	8	10	25	M4	25	9.6	4
R3008.E-10-10	10	10	25	M4	25	9.6	4
R3008.F-8-8	8	8	32	M4	32	12.6	6
R3008.F-8-10	8	10	32	M4	32	12.6	6
R3008.F-10-10	10	10	32	M4	32	12.6	6
R3008.F-10-12	10	12	32	M4	32	12.6	6
R3008.F-12-12	12	12	32	M4	32	12.6	6
R3008.F-12-14	12	14	32	M4	32	12.6	6



Spiral Beam Coupling - Aluminium

set screw - short type

Flexible Couplings



R3009.1

FLEXIBLE COUPLINGS

Material

Anodized aluminium AL7075

Technical Notes

Zero backlash.

The flexure allowed by the beam portion of the coupling is capable of accommodating

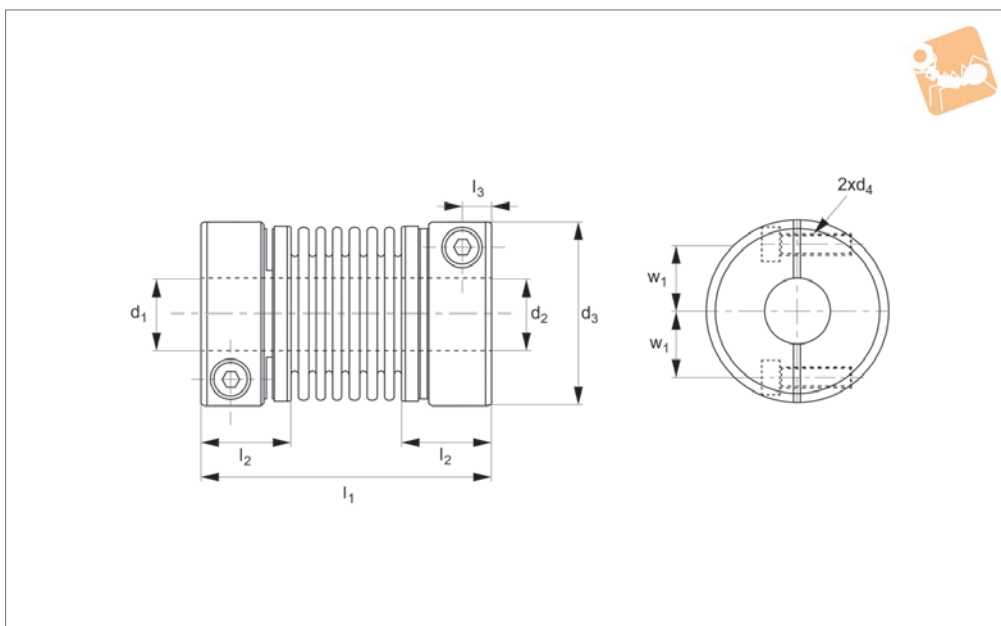
parallel, angular and axial misalignment. High wrench torque rigidity and sensitivity. Rotation character of clockwise or anti-clockwise are exactly the same. Free maintenance, oil-resist and anti-

corrosiveness. Offset of angular, parallel or axial deviation are individual allowed value, so couple reasons of axial offset appearing at the same time would reduce unit allowable value.

Order No.	d ₁ tol. h8	d ₂ tol. h8	d ₃	d ₄	l ₁	l ₂	l ₃
R3009.A-2-2	2	2	8	M2	10	3.4	1.7
R3009.A-3-3	3	3	8	M2	10	3.4	1.7
R3009.B-4-4	4	4	12	M2,5	14	5.2	2.5
R3009.B-4-5	4	5	12	M2,5	14	5.2	2.5
R3009.B-5-5	5	5	12	M2,5	14	5.2	2.5
R3009.C-5-5	5	5	16	M3	18	6.8	3
R3009.C-5-6	5	6	16	M3	18	6.8	3
R3009.C-6-6	6	6	16	M3	18	6.8	3
R3009.D-5-6	5	6	20	M3	20	7.65	3
R3009.D-5-7	5	7	20	M3	20	7.65	3
R3009.D-5-8	5	8	20	M3	20	7.65	3
R3009.D-6-6	56	6	20	M3	20	7.65	3
R3009.D-6-7	6	7	20	M3	20	7.65	3
R3009.D-6-8	6	8	20	M3	20	7.65	3
R3009.D-8-8	8	8	20	M3	20	7.65	3
R3009.E-5-6	5	6	25	M4	25	9.6	4
R3009.E-6-6	6	6	25	M4	25	9.6	4
R3009.E-6-8	6	8	25	M4	25	9.6	4
R3009.E-6-10	6	10	25	M4	25	9.6	4
R3009.E-8-8	8	8	25	M4	25	9.6	4
R3009.E-8-10	8	10	25	M4	25	9.6	4
R3009.E-10-10	10	10	25	M4	25	9.6	4
R3009.F-8-8	8	8	32	M4	32	12.6	6
R3009.F-8-10	8	10	32	M4	32	12.6	6
R3009.F-10-10	10	10	32	M4	32	12.6	6
R3009.F-10-12	10	12	32	M4	32	12.6	6
R3009.F-12-12	12	12	32	M4	32	12.6	6
R3009.F-12-14	12	14	32	M4	32	12.6	6



R3010.1



Material

Mainframe: Stainless steel SUS303
Bellows: Stainless steel SUS316

Technical Notes

Individual misalignment values permitted

in an angular, parallel or axial directions are shown in the table below. Misalignment occurring in two or more directions simultaneously will reduce these values by half.

Tips

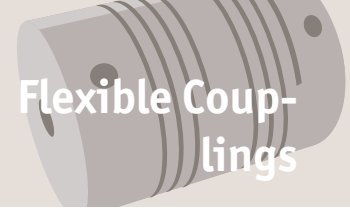
Other combinations of d_1 and d_2 available on request.

Order No.	d_1 & d_2 tol. h8	d_3	d_4	l_1	l_2	l_3	w	Allowable misalignment (angular) °	Allowable misalignment (axial) mm	Weight g
R3010.012-04-04	4	12	M 2	23.5	7.5	2.3	4	1.5	+0,4 -1,2	9
R3010.012-05-05	5	12	M 2	23.5	7.5	2.3	4	1.5	+0,4 -1,2	9
R3010.016-04-04	4	16	M2,5	26.5	9	3	5	1.5	+0,4 -1,2	22
R3010.016-05-05	5	16	M2,5	26.5	9	3	5	1.5	+0,4 -1,2	22
R3010.016-06-06	6	16	M2,5	26.5	9	3	5	1.5	+0,4 -1,2	22
R3010.020-05-05	5	20	M2,5	32.0	10	3.5	6.5	2.0	+0,6 -1,8	38
R3010.020-06-06	6	20	M2,5	32.0	10	3.5	6.5	2.0	+0,6 -1,8	38
R3010.020-08-08	8	20	M2,5	32.0	10	3.5	6.5	2.0	+0,6 -1,8	38
R3010.025-06-06	6	25	M 3	36.5	12	4.5	9	2.0	+0,6 -1,8	74
R3010.025-08-08	8	25	M 3	36.5	12	4.5	9	2.0	+0,6 -1,8	74
R3010.025-10-10	10	25	M 3	36.5	12	4.5	9	2.0	+0,6 -1,8	74
R3010.032-08-08	8	32	M 4	42.0	13.5	5	11	2.0	+0,8 -2,5	130
R3010.032-10-10	10	32	M 4	42.0	13.5	5	11	2.0	+0,8 -2,5	130
R3010.032-12-12	12	32	M 4	42.0	13.5	5	11	2.0	+0,8 -2,5	130
R3010.032-14-14	14	32	M 4	42.0	13.5	5	11	2.0	+0,8 -2,5	130

Order No.	Allowable misalignment (parallel) mm	Allowable wrench torque Nm	Clamping screw lock torque Nm	Moment of inertia kg·m ²	rpm max.	Static torsional stiff- ness Nm/rad
R3010.012-04-04	0.10	0.5	0.5	2,1x10 ⁻⁷	130 00	100
R3010.012-05-05	0.10	0.5	0.5	2,1x10 ⁻⁷	130 00	100
R3010.016-04-04	0.10	1.0	1.0	8,1x10 ⁻⁷	9500	150
R3010.016-05-05	0.10	1.0	1.0	8,1x10 ⁻⁷	9500	150
R3010.016-06-06	0.10	1.0	1.0	8,1x10 ⁻⁷	9500	150
R3010.020-05-05	0.15	1.5	1.0	2,3x10 ⁻⁶	7700	220



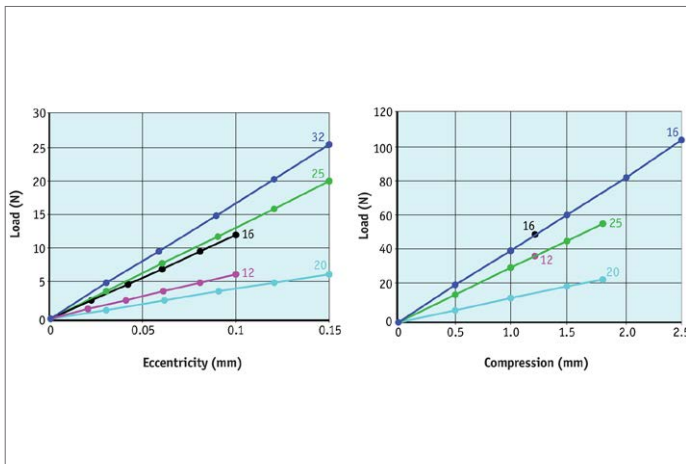
Bellows Coupling - **Stainless steel** clamp fixing



Flexible Couplings

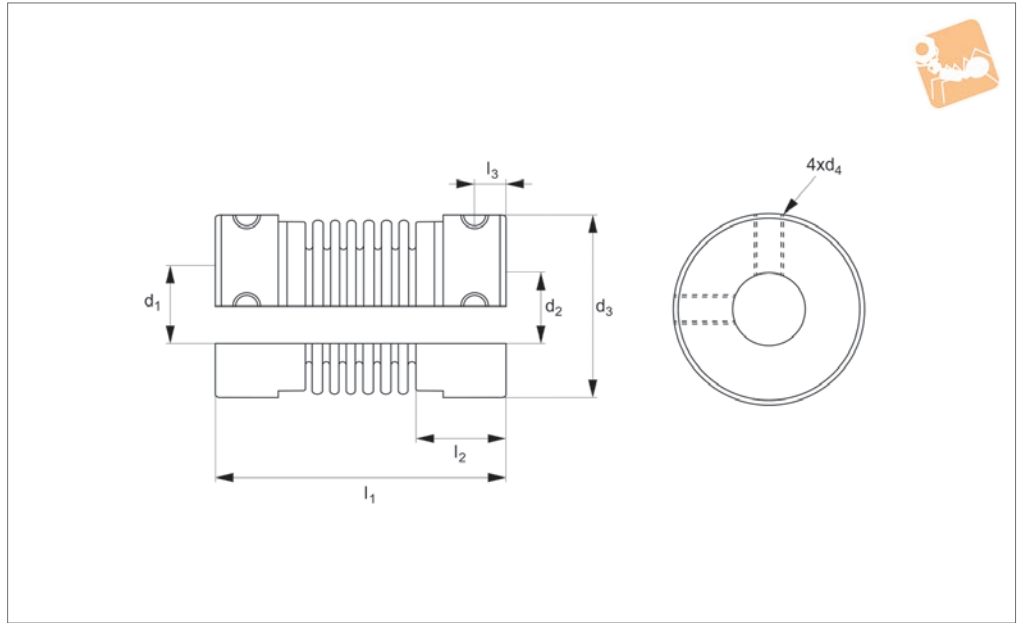
Order No.	Allowable misalignment (parallel) mm	Allowable wrench torque Nm	Clamping screw lock torque Nm	Moment of inertia kg·m ²	rpm max.	Static torsional stiffness Nm/rad
R3010.020-06-06	0.15	1.5	1.0	2,3x10 ⁻⁶	7700	220
R3010.020-08-08	0.15	1.5	1.0	2,3x10 ⁻⁶	7700	220
R3010.025-06-06	0.15	2.0	1.5	6,9x10 ⁻⁶	6100	330
R3010.025-08-08	0.15	2.0	1.5	6,9x10 ⁻⁶	6100	330
R3010.025-10-10	0.15	2.0	1.5	6,9x10 ⁻⁶	6100	330
R3010.032-08-08	0.20	3.0	2.5	2,1x10 ⁻⁵	4800	490
R3010.032-10-10	0.20	3.0	2.5	2,1x10 ⁻⁵	4800	490
R3010.032-12-12	0.20	3.0	2.5	2,1x10 ⁻⁵	4800	490
R3010.032-14-14	0.20	3.0	2.5	2,1x10 ⁻⁵	4800	490

FLEXIBLE COUPLINGS





R3011



Material

Mainframe: Stainless steel SUS303
Bellows: Stainless steel SUS316

tion are individual allowed value, so couple reasons of axial offset appearing at same time would reduce the unit allowable value.

Technical Notes

Offset of angular, parallel or axial devia-

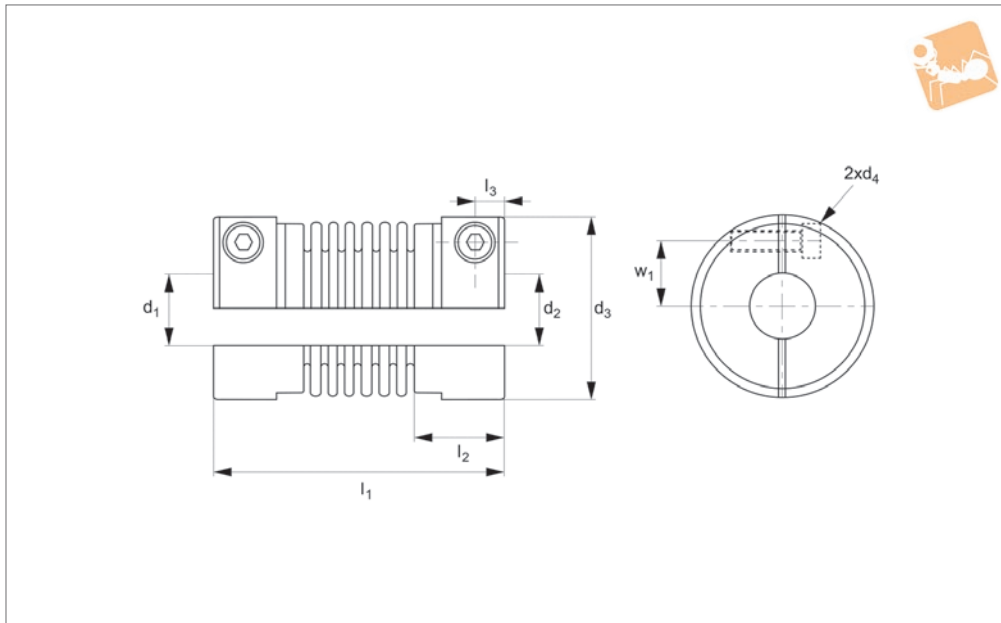
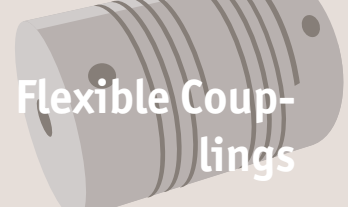
Order No.	d_1 & d_2 tol. h8	d_3	d_4	l_1	l_2	l_3	Clamping screw lock torque Nm
R3011.A-3	3	12	M2,5	23.5	7.5	2.5	0.5
R3011.A-4	4	12	M2,5	23.5	7.5	2.5	0.5
R3011.A-5	5	12	M2,5	23.5	7.5	2.5	0.5
R3011.A-6	6	12	M2,5	23.5	7.5	2.5	0.5
R3011.B-4	4	16	M3	26.5	9	3	0.7
R3011.B-5	5	16	M3	26.5	9	3	0.7
R3011.B-6	6	16	M3	26.5	9	3	0.7
R3011.B-8	8	16	M3	26.5	9	3	0.7
R3011.C-5	5	20	M3	32	10	3.5	0.7
R3011.C-6	6	20	M3	32	10	3.5	0.7
R3011.C-8	8	20	M3	32	10	3.5	0.7
R3011.C-10	10	20	M3	32	10	3.5	0.7
R3011.D-6	6	25	M4	36.5	12	4.5	1.7
R3011.D-8	8	25	M4	36.5	12	4.5	1.7
R3011.D-10	10	25	M4	36.5	12	4.5	1.7
R3011.D-12	12	25	M4	36.5	12	4.5	1.7
R3011.E-6	6	32	M4	42	13.5	5.5	1.7
R3011.E-8	8	32	M4	42	13.5	5.5	1.7
R3011.E-10	10	32	M4	42	13.5	5.5	1.7
R3011.E-12	12	32	M4	42	13.5	5.5	1.7
R3011.E-14	14	32	M4	42	13.5	5.5	1.7



Bellows Coupling

Aluminium with Phosphor Bronze

Flexible Couplings



R3012

FLEXIBLE COUPLINGS

Material

Mainframe: Anodized aluminium AL 7075
Bellows: Phosphor bronze C5191

tion are individual allowed value, so couple reasons of axial offset appearing at same time would reduce the unit allowable value.

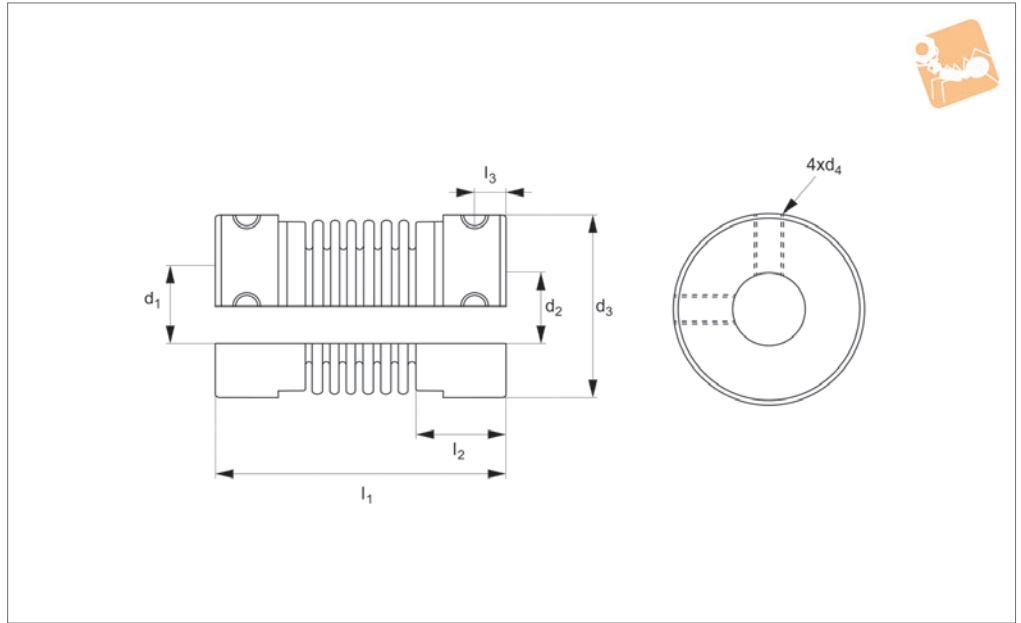
Technical Notes

Offset of angular, parallel or axial devia-

Order No.	d_1 & d_2 tol. h8	d_3	d_4	l_1	l_2	l_3	w	Clamping screw lock torque Nm
R3012.A-4	4	12	M2	23.5	7.5	2.3	4	0.5
R3012.A-5	5	12	M2	23.5	7.5	2.3	4	0.5
R3012.B-4	4	16	M2,5	26.5	9	3	5	1
R3012.B-5	5	16	M2,5	26.5	9	3	5	1
R3012.B-6	6	16	M2,5	26.5	9	3	5	1
R3012.C-5	5	20	M2,5	32	10	3.5	6.5	1
R3012.C-6	6	20	M2,5	32	10	3.5	6.5	1
R3012.C-8	8	20	M2,5	32	10	3.5	6.5	1
R3012.D-6	6	25	M3	36.5	12	4.5	9	1.5
R3012.D-8	8	25	M3	36.5	12	4.5	9	1.5
R3012.D-10	10	25	M3	36.5	12	4.5	9	1.5
R3012.E-8	8	32	M4	42	13.5	5	11	2.5
R3012.E-10	10	32	M4	42	13.5	5	11	2.5
R3012.E-12	12	32	M4	42	13.5	5	11	2.5
R3012.E-14	14	32	M4	42	13.5	5	11	2.5



R3013



Material

Mainframe: Anodized aluminium AL 7075
 Bellows: Phosphor bronze C5191

tion are individual allowed value, so couple reasons of axial offset appearing at same time would reduce the unit allowable value.

Technical Notes

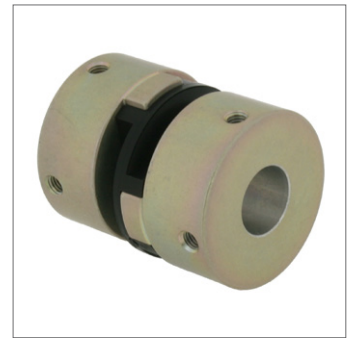
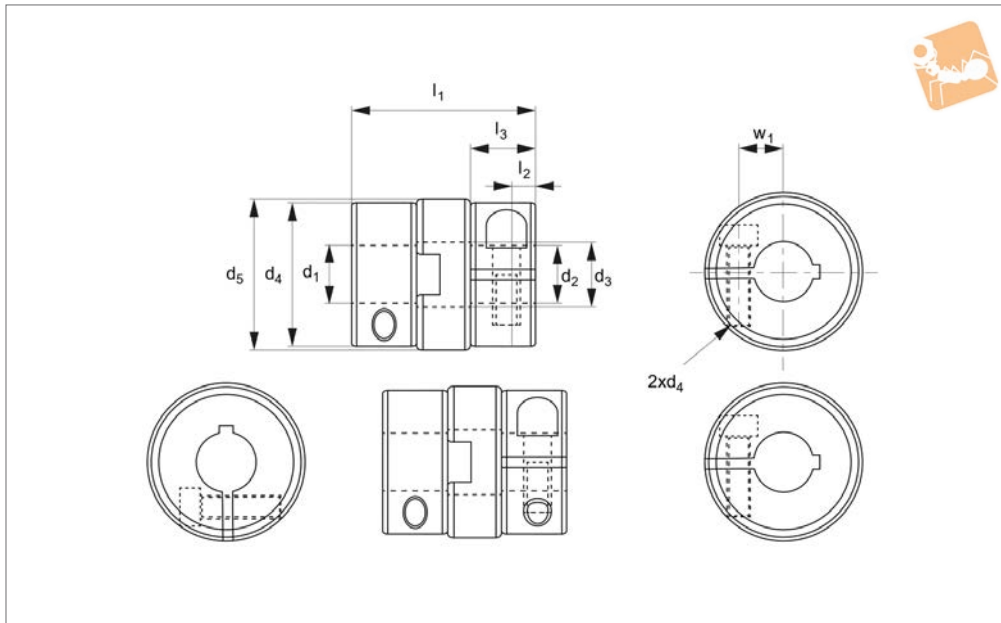
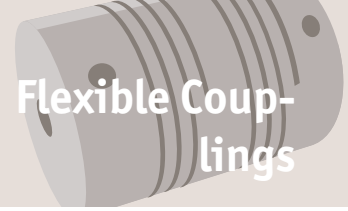
Offset of angular, parallel or axial devia-

Order No.	d_1 & d_2 tol. h8	d_3	d_4	l_1	l_2	l_3	Clamping screw lock torque Nm
R3013.A-3	3	12	M2,5	23.5	7.5	2.5	0.5
R3013.A-4	4	12	M2,5	23.5	7.5	2.5	0.5
R3013.A-5	5	12	M2,5	23.5	7.5	2.5	0.5
R3013.A-6	6	12	M2,5	23.5	7.5	2.5	0.5
R3013.B-4	4	16	M3	26.5	9	3	0.7
R3013.B-5	5	16	M3	26.5	9	3	0.7
R3013.B-6	6	16	M3	26.5	9	3	0.7
R3013.B-8	8	16	M3	26.5	9	3	0.7
R3013.C-5	5	20	M3	32	10	3.5	0.7
R3013.C-6	6	20	M3	32	10	3.5	0.7
R3013.C-8	8	20	M3	32	10	3.5	0.7
R3013.C-10	10	20	M3	32	10	3.5	0.7
R3013.D-6	6	25	M4	36.5	12	4.5	1.7
R3013.D-8	8	25	M4	36.5	12	4.5	1.7
R3013.D-10	10	25	M4	36.5	12	4.5	1.7
R3013.D-12	12	25	M4	36.5	12	4.5	1.7
R3013.E-6	6	32	M4	42	13.5	5.5	1.7
R3013.E-8	8	32	M4	42	13.5	5.5	1.7
R3013.E-10	10	32	M4	42	13.5	5.5	1.7
R3013.E-12	12	32	M4	42	13.5	5.5	1.7
R3013.E-14	14	32	M4	42	13.5	5.5	1.7



Oldham Coupling with Aluminium Bronze Insert

Flexible Couplings



R3052

FLEXIBLE COUPLINGS

Material

Mainframe: Stainless steel alloy SUS304
Insert: Aluminium bronze (filled with solid lubricant)

Technical Notes

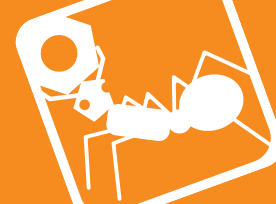
Offset of angular or axial deviation are

individual allowed value, so couple reasons of axial offset appearing at same time would reduce the unit allowable value.

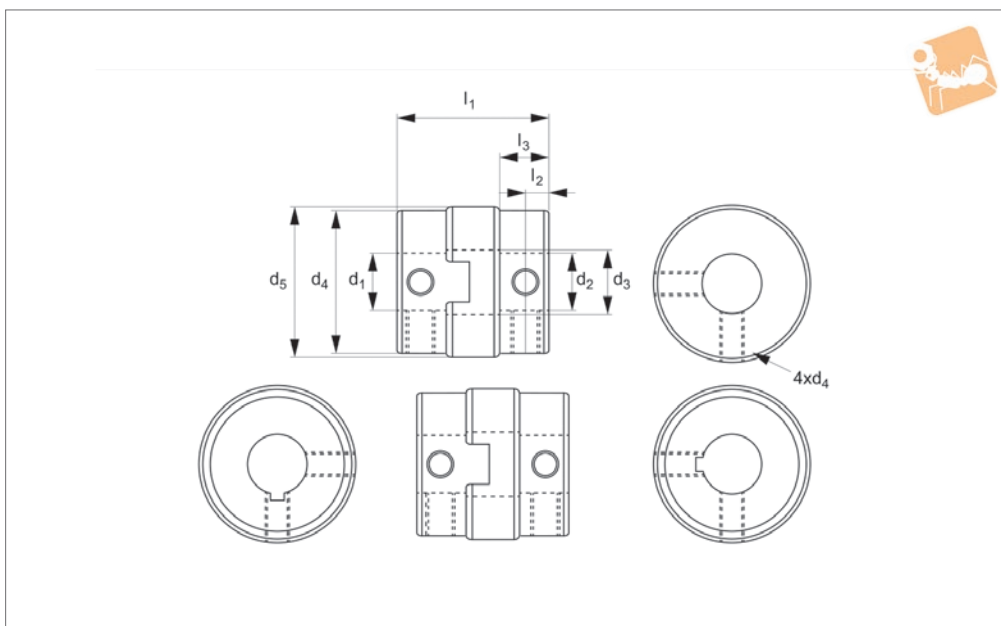
Suit for high wrench torque, high rotation. In case of parallel deviation over 0,1, abra-

sion of the insert is direct ratio to load torque, offset and rotation numbers. Available options for key way inner diameter is bigger than 6mm.

Order No.	∅ d	d ₁ & d ₂	d ₃	d ₄	d ₅	l ₁	l ₂	l ₃	w	Clamping screw lock torque Nm	Clamping screw d ₆
R3052.A-4	15	4	7.2	14.5	15	18.4	3.2	6.6	4.5	1.0	M2,5
R3052.A-5	15	5	7.2	14.5	15	18.4	3.2	6.6	4.5	1.0	M2,5
R3052.A-6	15	6	7.2	14.5	15	18.4	3.2	6.6	4.5	1.0	M2,5
R3052.B-5	17	5	8.2	16.8	17.5	24.4	4	9	5	1.8	M 3
R3052.B-6	17	6	8.2	16.8	17.5	24.4	4	9	5	1.8	M 3
R3052.C-6	20	6	9	20	21	27.2	4.5	10	7	1.8	M 3
R3052.C-7	20	7	9	20	21	27.2	4.5	10	7	1.8	M 3
R3052.C-8	20	8	9	20	21	27.2	4.5	10	7	1.8	M 3
R3052.C-10	20	10	9	20	21	27.2	4.5	10	7	1.8	M 3
R3052.D-6	26	6	12	26	27	30.4	5	11.5	8.4	3.0	M 4
R3052.D-7	26	7	12	26	27	30.4	5	11.5	8.4	3.0	M 4
R3052.D-8	26	8	12	26	27	30.4	5	11.5	8.4	3.0	M 4
R3052.D-10	26	10	12	26	27	30.4	5	11.5	8.4	3.0	M 4
R3052.D-11	26	11	12	26	27	30.4	5	11.5	8.4	3.0	M 4
R3052.E-8	30	8	14	30	31	33	6	12	9	4.5	M 4
R3052.E-10	30	10	14	30	31	33	6	12	9	4.5	M 4
R3052.E-12	30	12	14	30	31	33	6	12	9	4.5	M 4
R3052.E-14	30	14	14	30	31	33	6	12	9	4.5	M 4
R3052.F-10	34	10	17	34	35	34	6	13	11	8.0	M 5
R3052.F-11	34	11	17	34	35	34	6	13	11	8.0	M 5
R3052.F-12	34	12	17	34	35	34	6	13	11	8.0	M 5
R3052.F-14	34	14	17	34	35	34	6	13	11	8.0	M 5
R3052.F-15	34	15	17	34	35	34	6	13	11	8.0	M 5
R3052.F-16	34	16	17	34	35	34	6	13	11	8.0	M 5
R3052.G-10	38	10	17	38	41	39.5	7	15	13.7	8.0	M 5
R3052.G-12	38	12	17	38	41	39.5	7	15	13.7	8.0	M 5
R3052.G-14	38	14	17	38	41	39.5	7	15	13.7	8.0	M 5
R3052.G-15	38	15	17	38	41	39.5	7	15	13.7	8.0	M 5
R3052.G-16	38	16	17	38	41	39.5	7	15	13.7	8.0	M 5
R3052.G-18	38	18	17	38	41	39.5	7	15	13.7	8.0	M 5
R3052.G-20	38	20	17	38	41	39.5	7	15	13.7	8.0	M 5



R3053.1



Material

Mainframe: Stainless steel alloy SUS304
Insert: Aluminium bronze (filled with solid lubricant)

Technical Notes

Offset of angular or axial deviation are

individual allowed value, so couple reasons of axial offset appearing at same time would reduce the unit allowable value.

Suit for high wrench torque, high rotation. In case of parallel deviation over 0,1, abra-

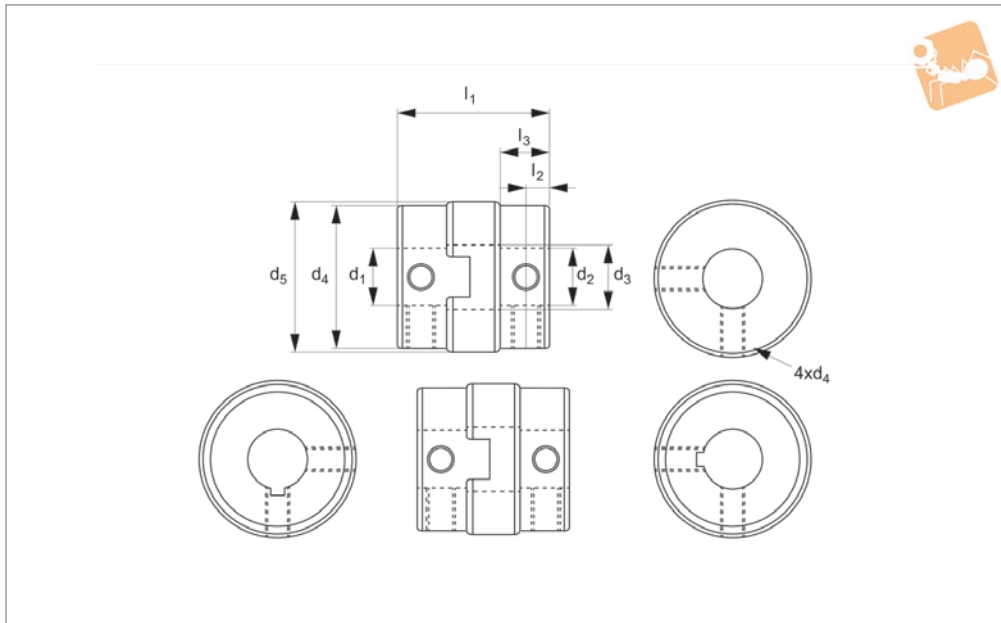
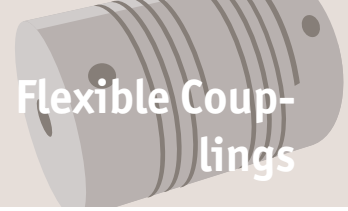
sion of the insert is direct ratio to load torque, offset and rotation numbers. Available options for key way inner diameter is bigger than 6mm.

Order No.	Dia. Ø nom.	d ₁ & d ₂	d ₃	d ₄	d ₅	l ₁	l ₂	l ₃	Clamping screw lock torque Nm	Clamping screw d ₆
R3053.A-4	15	4	7.2	14.5	15	16	2.6	5.4	0.7	M 3
R3053.A-5	15	5	7.2	14.5	15	16	2.6	5.4	0.7	M 3
R3053.A-6	15	6	7.2	14.5	15	16	2.6	5.4	0.7	M 3
R3053.A-7	15	7	7.2	14.5	15	16	2.6	5.4	0.7	M 3
R3053.A-8	15	8	7.2	14.5	15	16	2.6	5.4	0.7	M 3
R3053.B-5	17	5	8.2	16.8	17.5	19.8	3.2	6.7	117	M 4
R3053.B-6	17	6	8.2	16.8	17.5	19.8	3.2	6.7	117	M 4
R3053.B-7	17	7	8.2	16.8	17.5	19.8	3.2	6.7	117	M 4
R3053.B-8	17	8	8.2	16.8	17.5	19.8	3.2	6.7	117	M 4
R3053.C-6	20	6	9	20	21	21.6	3.4	7	1.7	M 4
R3053.C-7	20	7	9	20	21	21.6	3.4	7	1.7	M 4
R3053.C-8	20	8	9	20	21	21.6	3.4	7	1.7	M 4
R3053.C-10	20	10	9	20	21	21.6	3.4	7	1.7	M 4
R3053.C-11	20	11	9	20	21	21.6	3.4	7	1.7	M 4
R3053.C-12	20	12	9	20	21	21.6	3.4	7	1.7	M 4
R3053.D-6	26	6	12	26	27	25.6	4	9	1.7	M 4
R3053.D-7	26	7	12	26	27	25.6	4	9	1.7	M 4
R3053.D-8	26	8	12	26	27	25.6	4	9	1.7	M 4
R3053.D-10	26	10	12	26	27	25.6	4	9	1.7	M 4
R3053.D-11	26	11	12	26	27	25.6	4	9	1.7	M 4
R3053.D-12	26	12	12	26	27	25.6	4	9	1.7	M 4
R3053.D-14	26	14	12	26	27	25.6	4	9	1.7	M 4



Oldham Coupling with Aluminium Bronze Insert

Flexible Couplings



R3053.2

FLEXIBLE COUPLINGS

Material

Mainframe: Stainless steel alloy SUS304
Insert: Aluminium bronze (filled with solid lubricant)

Technical Notes

Offset of angular or axial deviation are

individual allowed value, so couple reasons of axial offset appearing at same time would reduce the unit allowable value.

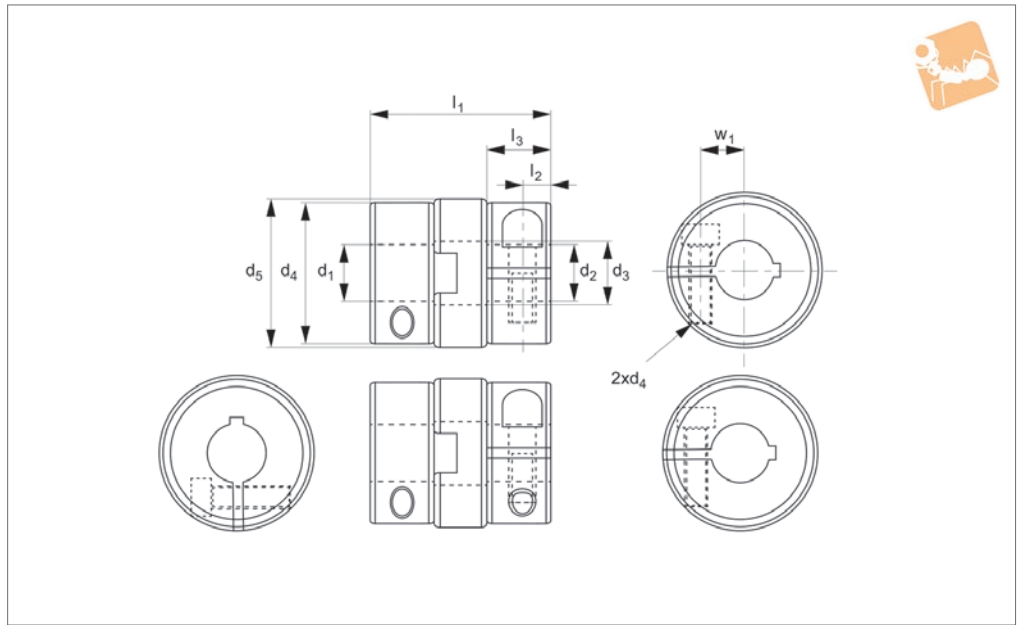
Suit for high wrench torque, high rotation. In case of parallel deviation over 0,1, abra-

sion of the insert is direct ratio to load torque, offset and rotation numbers. Available options for key way inner diameter is bigger than 6mm.

Order No.	Ø d	d ₁ & d ₂	d ₃	d ₄	d ₅	l ₁	l ₂	l ₃	Clamping screw lock torque Nm	Clamping screw d ₆
R3053.E-8	30	8	14	30	31	33	6	12	1.7	M 4
R3053.E-10	30	10	14	30	31	33	6	12	1.7	M 4
R3053.E-12	30	12	14	30	31	33	6	12	1.7	M 4
R3053.E-14	30	14	14	30	31	33	6	12	1.7	M 4
R3053.F-10	34	10	14	34	35	34	5.5	13	4.0	M 5
R3053.F-11	34	11	14	34	35	34	5.5	13	4.0	M 5
R3053.F-12	34	10	14	34	35	34	5.5	13	4.0	M 5
R3053.F-14	34	14	14	34	35	34	5.5	13	4.0	M 5
R3053.F-15	34	15	14	34	35	34	5.5	13	4.0	M 5
R3053.F-16	34	16	14	34	35	34	5.5	13	4.0	M 5
R3053.G-10	38	10	17	38	41	39.5	7	15	4	M 5
R3053.G-12	38	12	17	38	41	39.5	7	15	4	M 5
R3053.G-14	38	14	17	38	41	39.5	7	15	4	M 5
R3053.G-15	38	15	17	38	41	39.5	7	15	4	M 5
R3053.G-16	38	16	17	38	41	39.5	7	15	4	M 5
R3053.G-18	38	18	17	38	41	39.5	7	15	4	M 5
R3053.G-20	38	20	17	38	41	39.5	7	15	4	M 5



R3054.1



Material

Mainframe: Stainless steel alloy SUS304.
Insert: Carbon resin.

Technical Notes

Operating temperature -40° - 90° C.

Offset of angular, parallel or axial deviation are individual allowed value, so couple reasons of axial offset appearing at same time would reduce the unit allowable value.

R3054 lock torque of clamping screw is $5,4 < Nm$ based on shaft dia ($\varnothing d_1$, $\varnothing d_2$) over $\varnothing 16$.

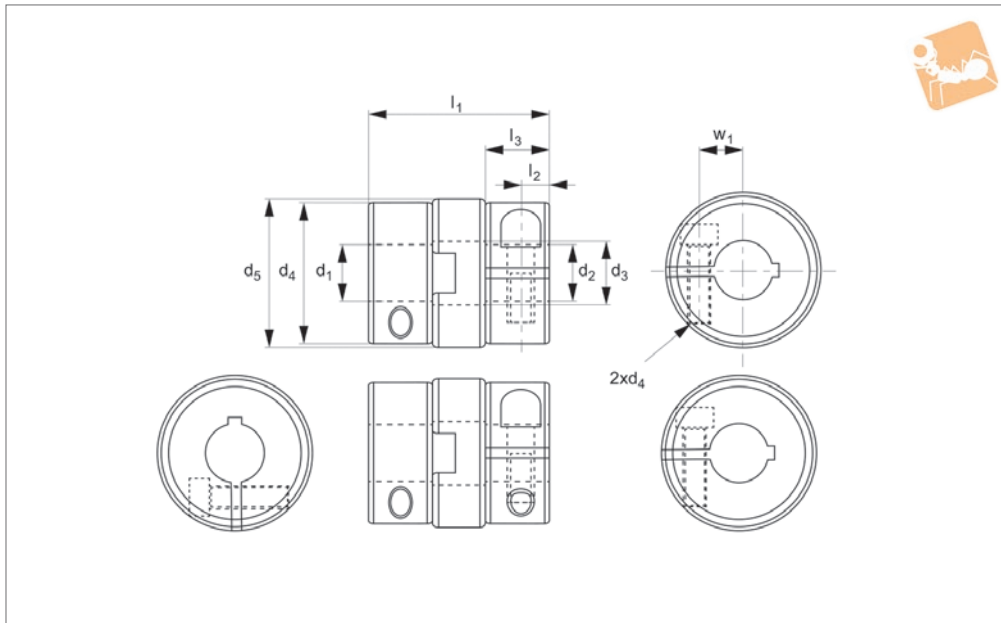
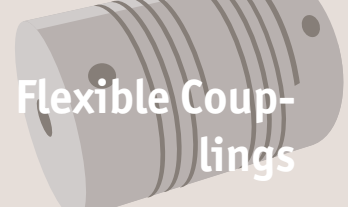
Available options for key way per inner diameter is bigger than 6mm.

Order No.	$\varnothing d$	d_1 & d_2	d_2	d_3	d_4	d_5	l_1	l_2	l_3	w	Clamping screw lock torque Nm	Clamping screw d_6
R3054.A-4	15	4	16	5.0	14.5	15	18.4	3.2	6.6	4.5	1.0	M2,5
R3054.A-5	15	5	16	5.0	14.5	15	18.4	3.2	6.6	4.5	1.0	M2,5
R3054.A-6	15	6	16	5.0	14.5	15	18.4	3.2	6.6	4.5	1.0	M2,5
R3054.B-5	17	5	19	7.2	16.8	17.5	24.4	4	9	5	1.8	M 3
R3054.B-6	17	6	19	7.2	16.8	17.5	24.4	4	9	5	1.8	M 3
R3054.C-6	20	6	23	8.2	20	21	27.2	4.5	10	7	1.8	M 3
R3054.C-7	20	7	23	8.2	20	21	27.2	4.5	10	7	1.8	M 3
R3054.C-8	20	8	23	8.2	20	21	27.2	4.5	10	7	1.8	M 3
R3054.C-10	20	10	23	8.2	20	21	27.2	4.5	10	7	1.8	M 3
R3045.D-6	26	6	29	12	26	27	30.4	5	11.5	8.4	3.0	M 4
R3045.D-7	26	7	29	12	26	27	30.4	5	11.5	8.4	3.0	M 4
R3045.D-8	26	8	29	12	26	27	30.4	5	11.5	8.4	3.0	M 4
R3045.D-10	26	10	29	12	26	27	30.4	5	11.5	8.4	3.0	M 4
R3045.D-11	26	11	29	12	26	27	30.4	5	11.5	8.4	3.0	M 4
R3045.D-12	26	12	29	12	26	27	30.4	5	11.5	8.4	3.0	M 4



Oldham Coupling with Carbon Resin Insert

Flexible Couplings



R3054.2

FLEXIBLE COUPLINGS

Material

Mainframe: Stainless steel alloy SUS304.
Insert: Carbon resin.

Technical Notes

Operating temperature $L -40^{\circ} - 90^{\circ}C$.

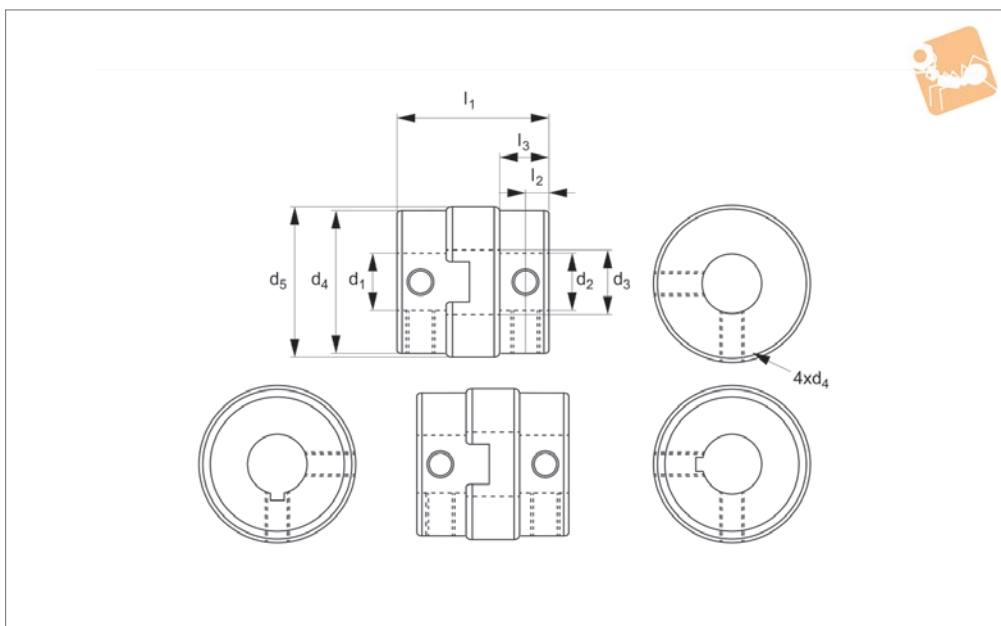
Offset of angular, parallel or axial deviation are individual allowed value, so couple reasons of axial offset appearing at same time would reduce the unit allowable value.

R3054 lock torque of clamping screw is 5,4<Nm) based on shaft dia ($\varnothing d1, \varnothing d2$) over $\varnothing 16$.
Available options for key way per inner diameter is bigger than 6mm.

Order No.	$\varnothing d$	d_1 & d_2	d_2	d_3	d_4	d_5	l_1	l_2	l_3	w	Clamping screw lock torque Nm	Clamping screw d_6
R3054.E-8	30	8	32	13	30	31	33	6	12	9	4.5	M 5
R3054.E-10	30	10	32	13	30	31	33	6	12	9	4.5	M 5
R3054.E-12	30	12	32	13	30	31	33	6	12	9	4.5	M 5
R3054.E-14	30	14	32	13	30	31	33	6	12	9	4.5	M 5
R3054.F-10	34	10	37	13	34	35	34	6	13	11	8.0	M 5
R3054.F-11	34	11	37	13	34	35	34	6	13	11	8.0	M 5
R3054.F-12	34	12	37	13	34	35	34	6	13	11	8.0	M 5
R3054.F-14	34	14	37	13	34	35	34	6	13	11	8.0	M 5
R3054.F-15	34	15	37	13	34	35	34	6	13	11	8.0	M 5
R3054.F-16	34	16	37	13	34	35	34	6	13	11	8.0	M 5
R3054.G-10	38	10	41	17	38	41	40	7	15	13.7	8.0	M 5
R3054.G-12	38	12	41	17	38	41	40	7	15	13.7	8.0	M 5
R3054.G-14	38	14	41	17	38	41	40	7	15	13.7	8.0	M 5
R3054.G-15	38	15	41	17	38	41	40	7	15	13.7	8.0	M 5
R3054.G-16	38	16	41	17	38	41	40	7	15	13.7	8.0	M 5
R3054.G-18	38	18	41	17	38	41	40	7	15	13.7	8.0	M 5
R3054.G-20	38	20	41	17	38	41	40	7	15	13.7	8.0	M 5



R3055.1



Material

Mainframe: Stainless steel alloy SUS304.
Insert: Carbon resin.

Offset of angular, parallel, or axial deviation are individual allowed value, so couple reasons of axial offset appearing at same time would reduce the unit allowable value.

Available options for key way per inner diameter is bigger than 6mm.

Technical Notes

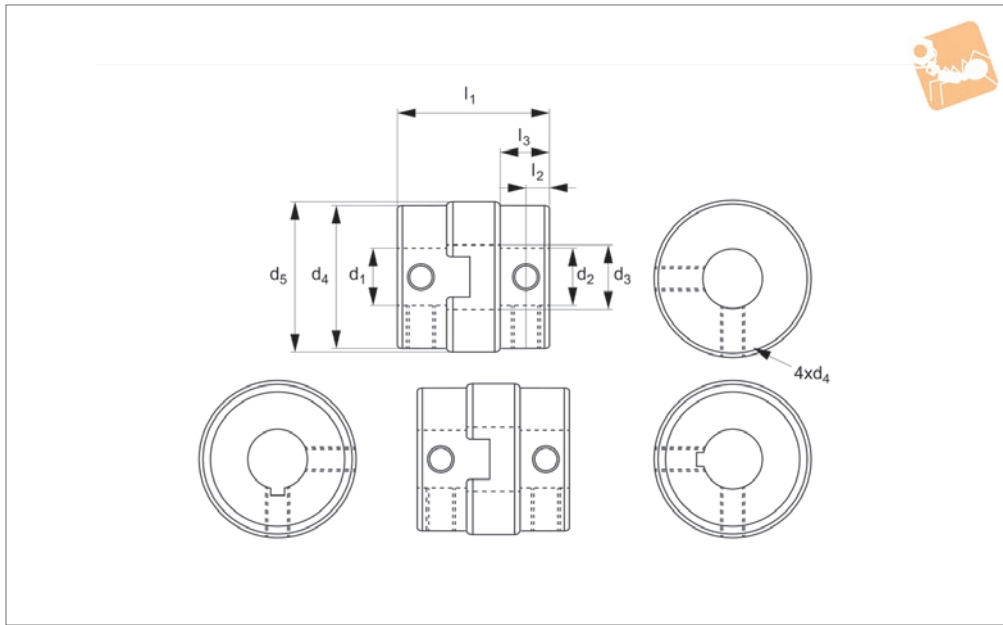
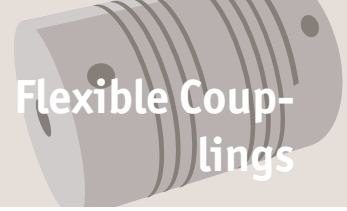
Operating temperature: -40° - 90°C.

Order No.	∅ d	d ₁ & d ₂	d ₃	d ₄	d ₅	l ₁	l ₂	l ₃	Clamping screw lock torque Nm	Clamping screw d ₆
R3055.A-1	6	1	2.4	6	6.2	8.4	1.5	3	0.15	M1,6
R3055.A-1.5	6	1.5	2.4	6	6.2	8.4	1.5	3	0.15	M1,6
R3055.A-2	6	2	2.4	6	6.2	8.4	1.5	3	0.15	M1,6
R3055.B-1	8	1	2.4	8	8.2	8.4	1.5	3	0.15	M1,6
R3055.B-2	8	2	2.4	8	8.2	8.4	1.5	3	0.15	M1,6
R3055.B-3	8	3	2.4	8	8.2	8.4	1.5	3	0.15	M1,6
R3055.C-2	10	2	4.4	10	10.2	10.2	1.8	3.7	0.3	M 2
R3055.C-3	10	3	4.4	10	10.2	10.2	1.8	3.7	0.3	M 2
R3055.C-4	10	4	4.4	10	10.2	10.2	1.8	3.7	0.3	M 2
R3055.D-3	12	3	4.0	12	12.5	14.2	2.5	5.2	0.7	M 3
R3055.D-4	12	4	4.0	12	12.5	14.2	2.5	5.2	0.7	M 3
R3055.D-5	12	5	4.0	12	12.5	14.2	2.5	5.2	0.7	M 3
R3055.E-4	15	4	5.0	14.5	15	16	2.6	5.4	0.7	M 3
R3055.E-5	15	5	5.0	14.5	15	16	2.6	5.4	0.7	M 3
R3055.E-6	15	6	5.0	14.5	15	16	2.6	5.4	0.7	M 3
R3055.E-7	15	7	5.0	14.5	15	16	2.6	5.4	0.7	M 3
R3055.E-8	15	8	5.0	14.5	15	16	2.6	5.4	0.7	M 3
R3055.F-5	17	5	7.2	16.8	17.5	19.8	3.2	6.7	1.7	M 4
R3055.F-6	17	6	7.2	16.8	17.5	19.8	3.2	6.7	1.7	M 4
R3055.F-7	17	7	7.2	16.8	17.5	19.8	3.2	6.7	1.7	M 4
R3055.F-8	17	8	7.2	16.8	17.5	19.8	3.2	6.7	1.7	M 4
R3055.G-6	20	6	8.2	20	21	21.4	3.4	7	1.7	M 4
R3055.G-7	20	7	8.2	20	21	21.4	3.4	7	1.7	M 4
R3055.G-8	20	8	8.2	20	21	21.4	3.4	7	1.7	M 4
R3055.G-10	20	10	8.2	20	21	21.4	3.4	7	1.7	M 4
R3055.G-11	20	11	8.2	20	21	21.4	3.4	7	1.7	M 4
R3055.G-12	20	12	8.2	20	21	21.4	3.4	7	1.7	M 4



Oldham Coupling with Carbon Resin Insert

Flexible Couplings



R3055.2

FLEXIBLE COUPLINGS

Material

Mainframe: Stainless steel alloy SUS304.
Insert: Carbon resin.

Offset of angular, parallel, or axial deviation are individual allowed value, so couple reasons of axial offset appearing at same time would reduce the unit allowable value.

Available options for key way per inner diameter is bigger than 6mm.

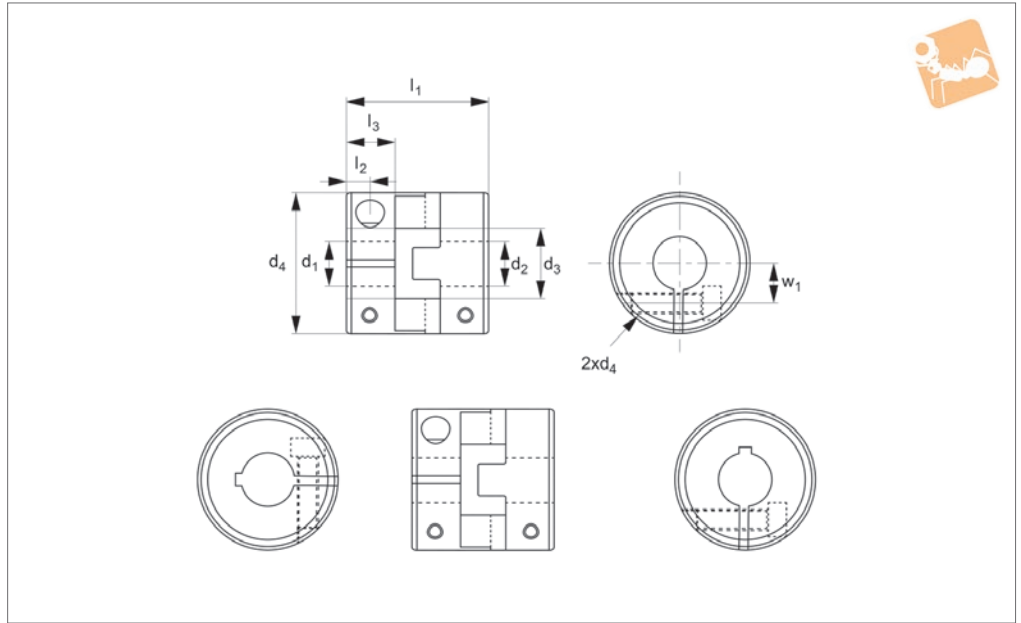
Technical Notes

Operating temperature: -40° - 90°C.

Order No.	Ø d	d ₁ & d ₂	d ₃	d ₄	d ₅	l ₁	l ₂	l ₃	Clamping screw lock torque Nm	Clamping screw d ₆
R3055.H-6	26	6	12.0	26	27	25.6	4	9	1.7	M 4
R3055.H-7	26	7	12.0	26	27	25.6	4	9	1.7	M 4
R3055.H-8	26	8	12.0	26	27	25.6	4	9	1.7	M 4
R3055.H-10	26	10	12.0	26	27	25.6	4	9	1.7	M 4
R3055.H-11	26	11	12.0	26	27	25.6	4	9	1.7	M 4
R3055.H-12	26	12	12.0	26	27	25.6	4	9	1.7	M 4
R3055.H-14	26	14	12.0	26	27	25.6	4	9	1.7	M 4
R3055.I-8	30	8	13.0	30	31	33	6	12	1.7	M 4
R3055.I-10	30	10	13.0	30	31	33	6	12	1.7	M 4
R3055.I-12	30	12	13.0	30	31	33	6	12	1.7	M 4
R3055.I-14	30	14	13.0	30	31	33	6	12	1.7	M 4
R3055.J-10	34	10	13.0	34	35	34.2	5.5	13	4.0	M 5
R3055.J-11	34	11	13.0	34	35	34.2	5.5	13	4.0	M 5
R3055.J-12	34	12	13.0	34	35	34.2	5.5	13	4.0	M 5
R3055.J-14	34	14	13.0	34	35	34.2	5.5	13	4.0	M 5
R3055.J-15	34	15	13.0	34	35	34.2	5.5	13	4.0	M 5
R3055.J-16	34	16	13.0	34	35	34.2	5.5	13	4.0	M 5
R3055.K-10	38	10	17.0	38	41	40	7	15	4.0	M 5
R3055.K-12	38	12	17.0	38	41	40	7	15	4.0	M 5
R3055.K-14	38	14	17.0	38	41	40	7	15	4.0	M 5
R3055.K-15	38	15	17.0	38	41	40	7	15	4.0	M 5
R3055.K-16	38	16	17.0	38	41	40	7	15	4.0	M 5
R3055.K-18	38	18	17.0	38	41	40	7	15	4.0	M 5
R3055.K-20	38	20	17.0	38	41	40	7	15	4.0	M 5



R3056



Material

Mainframe: Anodized aluminium AL7075.
Insert: Black polyacetal (POM)

Technical Notes

Operating temperature: -20° - 80°C.
Offset of angular, parallel or axial devia-

tion are individual allowed value, so couple reasons of axial oddset appearing at same time would reduce unit allowable value.

Select bigger lock torque of clamping screw than listen values on catalogues

when shaft diameter is too small.

List torque tightness values are only for general standard.

Available options for key way per inner diameter is bigger than 6mm.

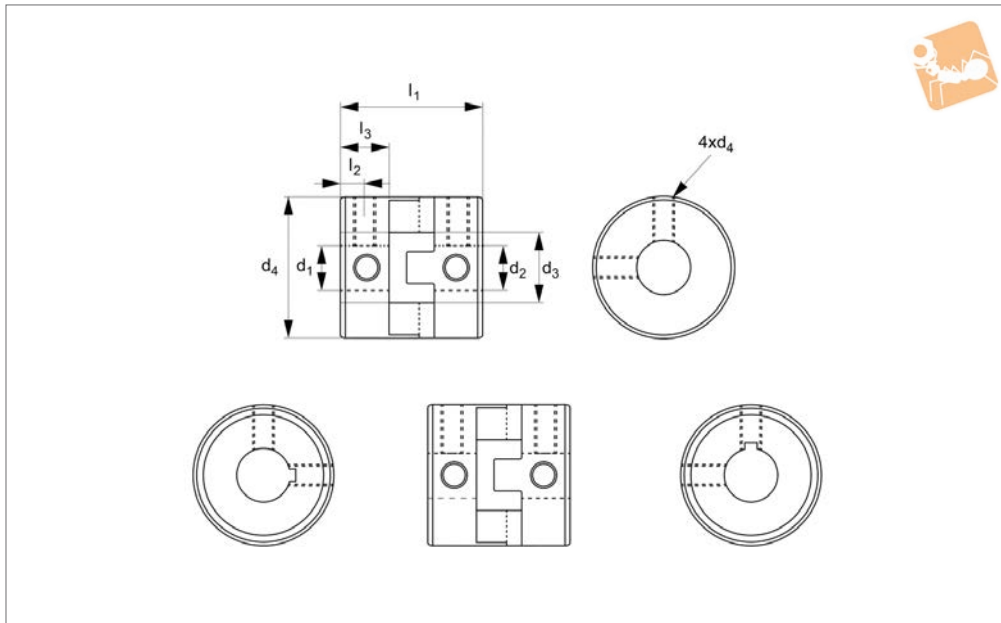
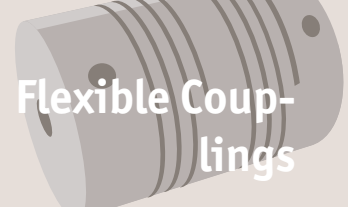
Order No.	d ₁ & d ₂	d ₃	d ₄	l ₁	l ₂	l ₃	w	Clamping screw lock torque Nm	Clamping screw d ₅
R3056.A-14	14	22.5	44	46	7.5	15	14.5	8.4	M 5
R3056.A-15	15	22.5	44	46	7.5	15	14.5	8.4	M 5
R3056.A-16	16	22.5	44	46	7.5	15	14.5	8.4	M 5
R3056.A-18	18	22.5	44	46	7.5	15	14.5	8.4	M 5
R3056.A-20	20	22.5	44	46	7.5	15	14.5	8.4	M 5
R3056.B-18	18	28	55	57	9.5	19	17	14.4	M 6
R3056.B-20	20	28	55	57	9.5	19	17	14.4	M 6
R3056.B-22	22	28	55	57	9.5	19	17	14.4	M 6
R3056.B-25	25	28	55	57	9.5	19	17	14.4	M 6
R3056.C-22	22	39	70	77	12.5	25	24	30.0	M 8
R3056.C-25	25	39	70	77	12.5	25	24	30.0	M 8
R3056.C-28	28	39	70	77	12.5	25	24	30.0	M 8
R3056.C-30	30	39	70	77	12.5	25	24	30.0	M 8
R3056.C-35	35	39	70	77	12.5	25	24	30.0	M 8



Oldham Coupling

set screw with Black Polyacetel (POM) Insert

Flexible Couplings



R3057

FLEXIBLE COUPLINGS

Material

Mainframe: Anodized aluminium AL7075.
Insert: Black polyacetel (POM)

Technical Notes

Operating temperature: -20° - 80°C.
Offset of angular, parallel or axial devia-

tion are individual allowed value, so couple reasons of axial oddset appearing at same time would reduce unit allowable value.

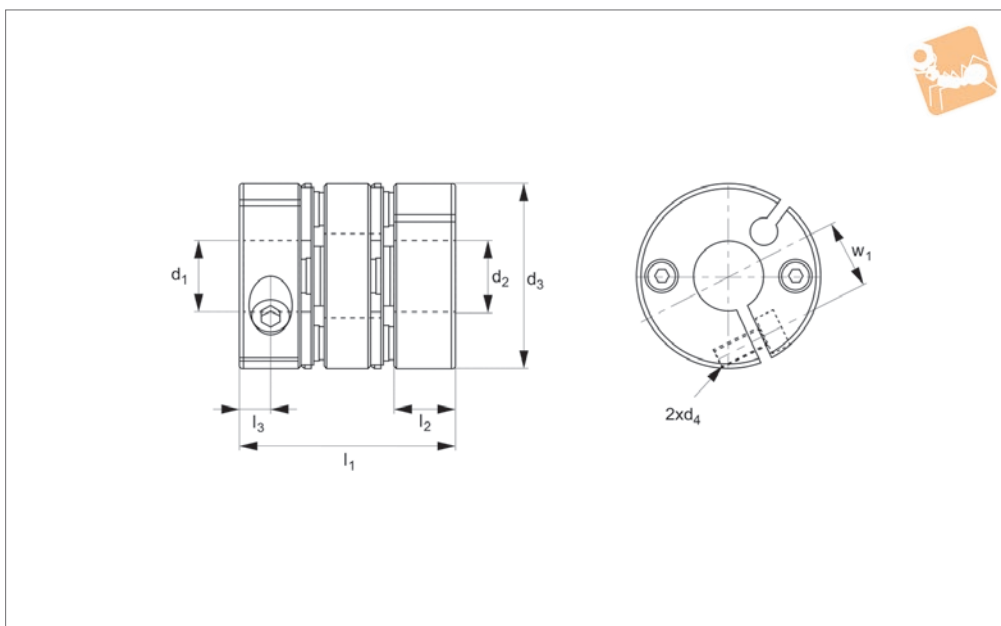
Select bigger lock torque of clamping screw than listen values on catalogues

when shaft diameter is too small. List torque tightness values are only for general standard. Available options for key way per inner diameter is bigger than 6mm.

Order No.	d ₁ & d ₂	d ₃	d ₄	l ₁	l ₂	l ₃	Clamping screw lock torque Nm	Clamping screw d ₅
R3057.A-14	14	22.5	44	46	7.5	15	7.0	M 6
R3057.A-15	15	22.5	44	46	7.5	15	7.0	M 6
R3057.A-16	16	22.5	44	46	7.5	15	7.0	M 6
R3057.A-18	18	22.5	44	46	7.5	15	7.0	M 6
R3057.A-20	20	22.5	44	46	7.5	15	7.0	M 6
R3057.A-22	22	22.5	44	46	7.5	15	7.0	M 6
R3057.B-18	18	28	55	57	9.5	19	15.0	M 8
R3057.B-20	20	28	55	57	9.5	19	15.0	M 8
R3057.B-22	22	28	55	57	9.5	19	15.0	M 8
R3057.B-25	25	28	55	57	9.5	19	15.0	M 8
R3057.B-26	26	28	55	57	9.5	19	15.0	M 8
R3057.C-22	22	39	70	77	12.5	25	30.0	M10
R3057.C-25	25	39	70	77	12.5	25	30.0	M10
R3057.C-28	28	39	70	77	12.5	25	30.0	M10
R3057.C-30	30	39	70	77	12.5	25	30.0	M10
R3057.C-35	35	39	70	77	12.5	25	30.0	M10
R3057.C-38	38	39	70	77	12.5	25	30.0	M10



R3064



Material

Mainframe: Anodized aluminium - AL 7075
 Disk: Stainless steel - SUS303

Technical Notes

High wrench torque load, high wrench torque rigidity capacity and excellent sensibility.

The flexure allowed by stainless steel disc portion of the coupling is capable of accommodating angular, parallel and axial misalignment. Teethless screw to lock disks, zero backlash Clockwise character is exactly the same as anti-clockwise one.

Free maintenance, oil-resist and anti corrosiveness. Offset of angular, parallel or axial deviation are individual allowed value, so couple reasons of axial offset appearing at same time would reduce the unit allowable value.

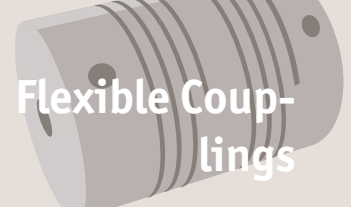
Order No.	d_1 & d_2 tol. h8	d_3	d_4	l_1	l_2	l_3	w	Clamping screw lock torque Nm
R3064.A-4	4	21	M2,5	24.5	7	3.5	7	1.2
R3064.A-5	5	21	M2,5	24.5	7	3.5	7	1.2
R3064.A-6	6	21	M2,5	24.5	7	3.5	7	1.2
R3064.A-8	8	21	M2,5	24.5	7	3.5	7	1.2
R3064.A-9	9	21	M2,5	24.5	7	3.5	7	1.2
R3064.B-5	5	28	M3	32	9	4	9.5	1.5
R3064.B-6	6	28	M3	32	9	4	9.5	1.5
R3064.B-8	8	28	M3	32	9	4	9.5	1.5
R3064.B-9	9	28	M3	32	9	4	9.5	1.5
R3064.B-10	10	28	M3	32	9	4	9.5	1.5
R3064.C-6	6	34	M3	35	9.8	5	12	1.5
R3064.C-8	8	34	M3	35	9.8	5	12	1.5
R3064.C-9	9	34	M3	35	9.8	5	12	1.5
R3064.C-10	10	34	M3	35	9.8	5	12	1.5
R3064.C-11	11	34	M3	35	9.8	5	12	1.5
R3064.C-12	12	34	M3	35	9.8	5	12	1.5
R3064.C-14	14	34	M3	35	9.8	5	12	1.5
R3064.D-8	8	46	M4	44	12.6	6	16.5	3.5
R3064.D-9	9	46	M4	44	12.6	6	16.5	3.5
R3064.D-10	10	46	M4	44	12.6	6	16.5	3.5
R3064.D-11	11	46	M4	44	12.6	6	16.5	3.5
R3064.D-12	12	46	M4	44	12.6	6	16.5	3.5
R3064.D-14	14	46	M4	44	12.6	6	16.5	3.5
R3064.D-15	15	46	M4	44	12.6	6	16.5	3.5
R3064.D-17	17	46	M4	44	12.6	6	16.5	3.5
R3064.D-19	19	46	M4	44	12.6	6	16.5	3.5
R3064.E-12	12	55	M5	55	16	7	20.5	6
R3064.E-14	14	55	M5	55	16	7	20.5	6
R3064.E-15	15	55	M5	55	16	7	20.5	6
R3064.E-17	17	55	M5	55	16	7	20.5	6



Double Disc Coupling - Aluminium

high rigidity clamp fixing - long type

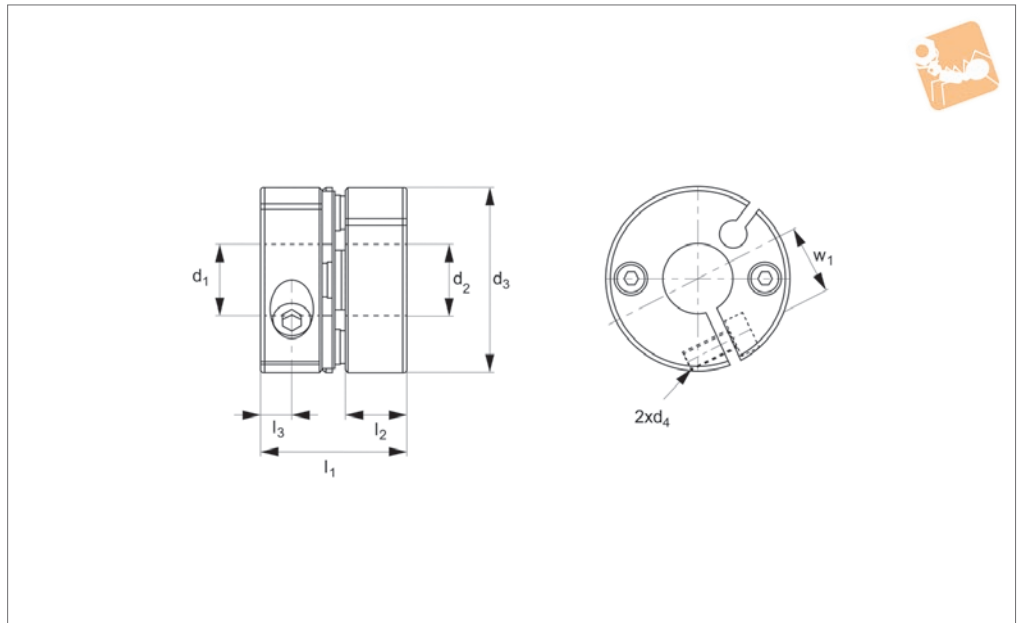
Flexible Couplings



Order No.	d ₁ & d ₂ tol. h8	d ₃	d ₄	l ₁	l ₂	l ₃	w	Clamping screw lock torque Nm
R3064.E-19	19	55	M5	55	16	7	20.5	6
R3064.E-20	20	55	M5	55	16	7	20.5	6
R3064.E-22	22	55	M5	55	16	7	20.5	6
R3064.E-24	24	55	M5	55	16	7	20.5	6
R3064.E-25	25	55	M5	55	16	7	20.5	6



R3065



Material

Mainframe: Anodized aluminium - AL 7075
 Disk: Stainless steel - SUS303

Technical Notes

High wrench torque load, high wrench torque rigidity capacity and excellent sensibility.
 The flexure allowed by stainless steel disk

portion of the coupling is capable of accommodating angular and axial misalignment. Not accommodating of parallel misalignment.
 Clockwise character is exactly the same as anti-clockwise one.
 Free maintenance, oil-resist and anti corrosiveness, Teethless screw to lock

disks, zero backlash
 Offset of angular, parallel or axial deviation are individual allowed value, so couple reasons of axial offset appearing at same time would reduce the unit allowable value.

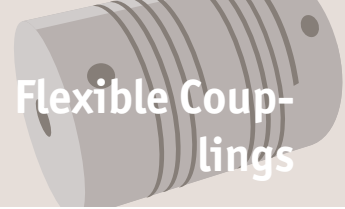
Order No.	d_1 & d_2 tol. h8	d_3	d_4	l_1	l_2	l_3	w	Clamping screw lock torque Nm
R3065.A-4	4	21	M2,5	24.5	7	3.5	7	1.2
R3065.A-5	5	21	M2,5	24.5	7	3.5	7	1.2
R3065.A-6	6	21	M2,5	24.5	7	3.5	7	1.2
R3065.A-8	8	21	M2,5	24.5	7	3.5	7	1.2
R3065.A-9	9	21	M2,5	24.5	7	3.5	7	1.2
R3065.B-5	5	28	M3	32	9	4	9.5	1.5
R3065.B-6	6	28	M3	32	9	4	9.5	1.5
R3065.B-8	8	28	M3	32	9	4	9.5	1.5
R3065.B-9	9	28	M3	32	9	4	9.5	1.5
R3065.B-10	10	28	M3	32	9	4	9.5	1.5
R3065.C-6	6	34	M3	35	9.8	5	12	1.5
R3065.C-8	8	34	M3	35	9.8	5	12	1.5
R3065.C-9	9	34	M3	35	9.8	5	12	1.5
R3065.C-10	10	34	M3	35	9.8	5	12	1.5
R3065.C-11	11	34	M3	35	9.8	5	12	1.5
R3065.C-12	12	34	M3	35	9.8	5	12	1.5
R3065.C-14	14	34	M3	35	9.8	5	12	1.5
R3065.D-8	8	46	M4	44	12.6	6	16.5	3.5
R3065.D-9	9	46	M4	44	12.6	6	16.5	3.5
R3065.D-10	10	46	M4	44	12.6	6	16.5	3.5
R3065.D-11	11	46	M4	44	12.6	6	16.5	3.5
R3065.D-12	12	46	M4	44	12.6	6	16.5	3.5
R3065.D-14	14	46	M4	44	12.6	6	16.5	3.5
R3065.D-15	15	46	M4	44	12.6	6	16.5	3.5
R3065.D-17	17	46	M4	44	12.6	6	16.5	3.5
R3065.D-19	19	46	M4	44	12.6	6	16.5	3.5
R3065.E-12	12	55	M5	55	16	7	20.5	6
R3065.E-14	14	55	M5	55	16	7	20.5	6
R3065.E-15	15	55	M5	55	16	7	20.5	6



Double Disk Coupling - Aluminium

high rigidity clamp fixing - short type

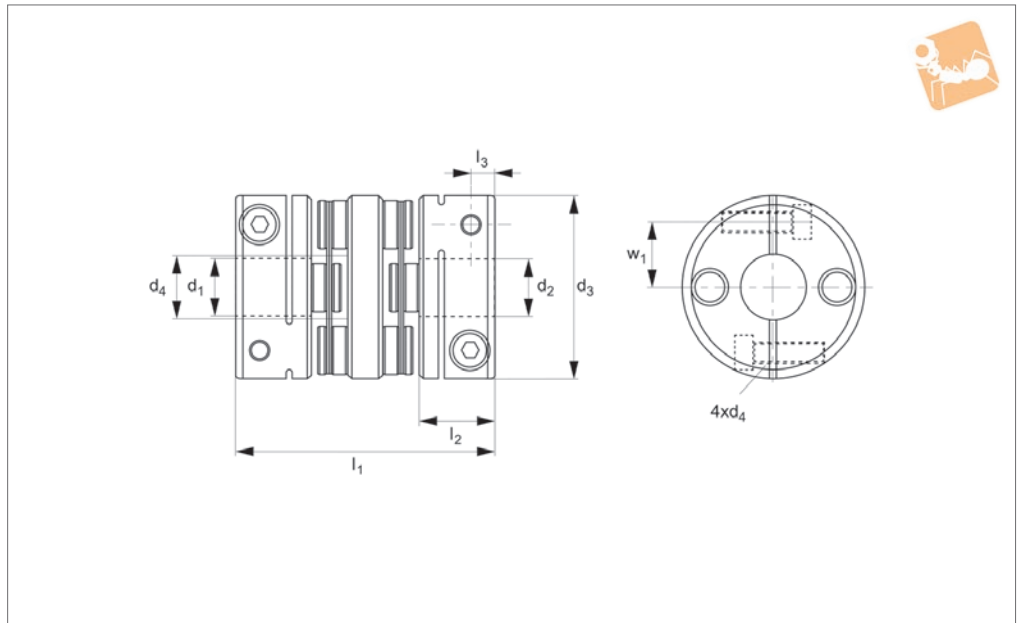
Flexible Couplings



Order No.	d ₁ & d ₂ tol. h8	d ₃	d ₄	l ₁	l ₂	l ₃	w	Clamping screw lock torque Nm
R3065.E-17	17	55	M5	55	16	7	20.5	6
R3065.E-19	19	55	M5	55	16	7	20.5	6
R3065.E-20	20	55	M5	55	16	7	20.5	6
R3065.E-22	22	55	M5	55	16	7	20.5	6
R3065.E-24	24	55	M5	55	16	7	20.5	6
R3065.E-25	25	55	M5	55	16	7	20.5	6



R3066.1



Material

Main frame: Anodized aluminium AL7075
 Disk: Stainless steel SUS301
 Pin: Stainless steel SUS303

Technical Notes

High wrench torque load, high wrench torque rigidity capacity and excellent sensibility.

The flexure allowed by stainless steel disc portion of the coupling is capable of accommodating angular, parallel and axial misalignment. Teethless screw to lock disks, zero backlash. Clockwise character is exactly the same as anti-clockwise one. Free maintenance, oil-resist and anti

corrosiveness. Offset of angular, parallel or axial deviation are individual allowed value, so couple reasons of axial offset appearing at same time would reduce the unit allowable value.

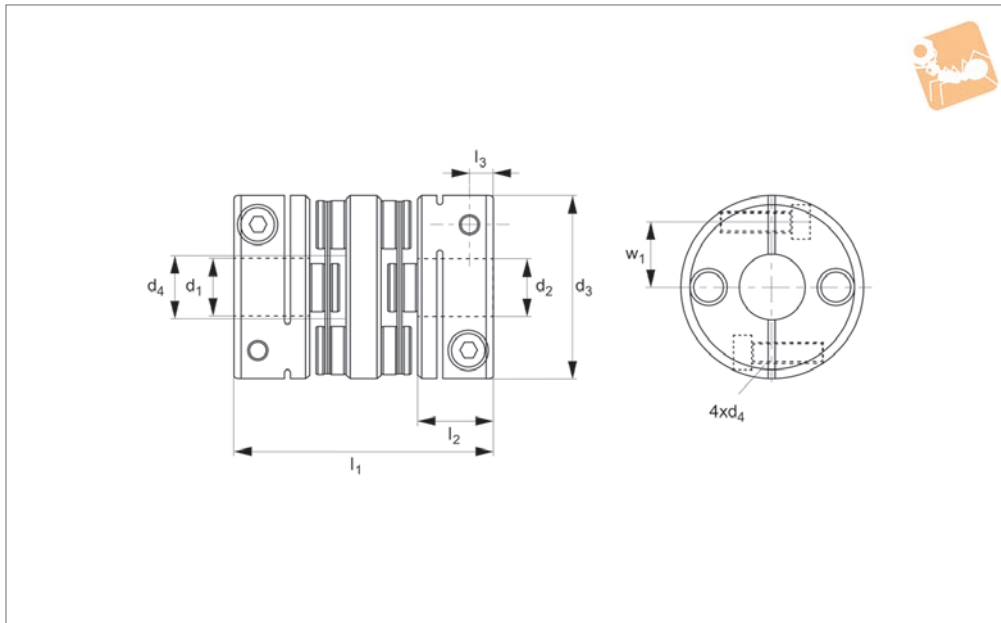
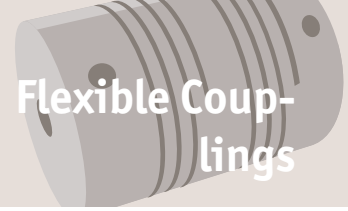
Order No.	d_1 & d_2 tol. h8	d_3	d_4	d_5	l_1	l_2	l_3	w_1	Clamping screw lock torque Nm
R3066.A-4	4	19	8.5	M2	28	8	2.5	6.5	0.5
R3066.A-4.5	4.5	19	8.5	M2	28	8	2.5	6.5	0.5
R3066.A-5	4.5	19	8.5	M2	28	8	2.5	6.5	0.5
R3066.A-6	6	19	8.5	M2	28	8	2.5	6.5	0.5
R3066.A-7	7	19	8.5	M2	28	8	2.5	6.5	0.5
R3066.A-8	8	19	8.5	M2	28	8	2.5	6.5	0.5
R3066.B-6	6	25	12.5	M2,5	31	10	3.5	9	1
R3066.B-7	7	25	12.5	M2,5	31	10	3.5	9	1
R3066.B-8	8	25	12.5	M2,5	31	10	3.5	9	1
R3066.B-10	10	25	12.5	M2,5	31	10	3.5	9	1
R3066.B-11	11	25	12.5	M2,5	31	10	3.5	9	1
R3066.B-12	12	25	12.5	M2,5	31	10	3.5	9	1
R3066.C-8	8	32	16	M3	40	12	4	11	1.5
R3066.C-10	10	32	16	M3	40	12	4	11	1.5
R3066.C-11	11	32	16	M3	40	12	4	11	1.5
R3066.C-12	12	32	16	M3	40	12	4	11	1.5
R3066.C-14	14	32	16	M3	40	12	4	11	1.5
R3066.C-15	15	32	16	M3	40	12	4	11	1.5



Double Disk Coupling - Aluminium

clamping type, long type.

Flexible Couplings



R3066.2

FLEXIBLE COUPLINGS

Material

Main frame: Anodized aluminium AL7075
 Disk: Stainless steel SUS301
 Pin: Stainless steel SUS303

Technical Notes

High wrench torque load, high wrench torque rigidity capacity and excellent sensibility.

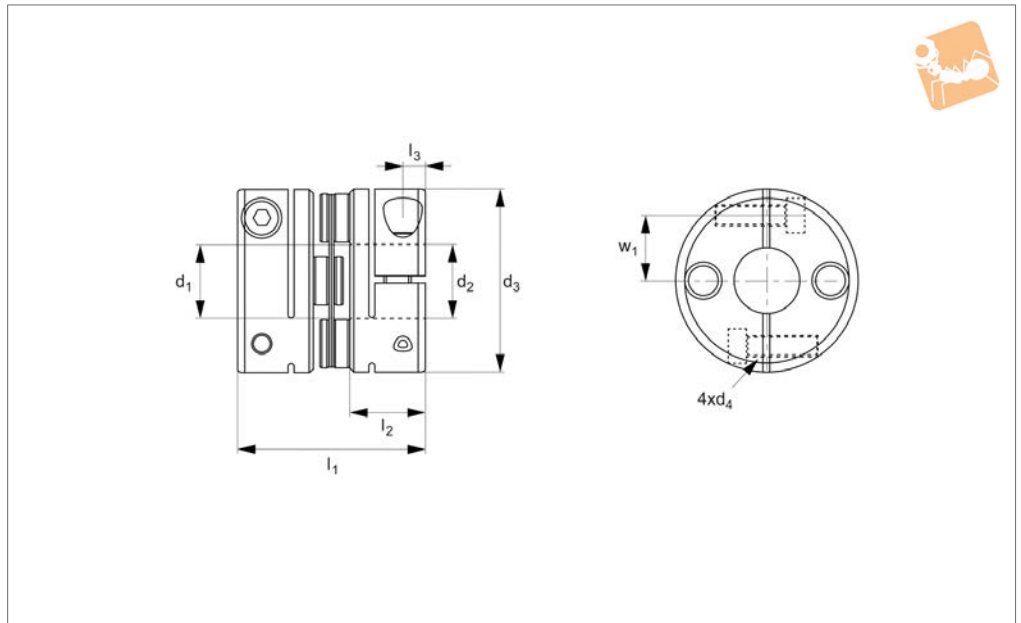
The flexure allowed by stainless steel disc portion of the coupling is capable of accommodating angular, parallel and axial misalignment. Teethless screw to lock disks, zero backlash Clockwise character is exactly the same as anti-clockwise one. Free maintenance, oil-resist and anti

corrosiveness. Offset of angular, parallel or axial deviation are individual allowed value, so couple reasons of axial offset appearing at same time would reduce the unit allowable value.

Order No.	d ₁ & d ₂ tol. h8	d ₃	d ₄	d ₅	l ₁	l ₂	l ₃	w ₁	Clamping screw lock torque Nm
R3066.D-8	8	40	21	4	44	14	5	15	2.5
R3066.D-10	10	40	21	M4	44	14	5	15	2.5
R3066.D-11	11	40	21	M4	44	14	5	15	2.5
R3066.D-12	12	40	21	M4	44	14	5	15	2.5
R3066.D-14	14	40	21	M4	44	14	5	15	2.5
R3066.D-15	15	40	21	M4	44	14	5	15	2.5
R3066.D-16	16	40	21	M4	44	14	5	15	2.5
R3066.D-17	17	40	21	M4	44	14	5	15	2.5
R3066.D-18	18	40	21	M4	44	14	5	15	2.5
R3066.D-19	19	40	21	M4	44	14	5	15	2.5
R3066.D-20	20	40	21	M4	44	14	5	15	2.5
R3066.E-14	14	50	26	M5	57	18	6	18	7
R3066.E-15	15	50	26	M5	57	18	6	18	7
R3066.E-16	16	50	26	M5	57	18	6	18	7
R3066.E-17	17	50	26	M5	57	18	6	18	7
R3066.E-18	18	50	26	M5	57	18	6	18	7
R3066.E-19	19	50	26	M5	57	18	6	18	7
R3066.E-20	20	50	26	M5	57	18	6	18	7
R3066.E-22	22	50	26	M5	57	18	6	18	7
R3066.E-24	24	50	26	M5	57	18	6	18	7
R3066.E-25	25	50	26	M5	57	18	6	18	7



R3067.1



Material

Main frame: Anodized aluminium AL7075
 Disk: Stainless steel SUS301
 Pin: Stainless steel SUS303

Technical Notes

Hard torque load, high torque rigidity and excellent sensibility.

Miniature coupling has short length, no correction for radial deviation.
 Dual stainless steel disk to correct angular and axial deviation.
 Clockwise character is exactly the same as anti-clockwise one.
 Free maintenance, oil resist and anti-

corrosiveness, Zero backlash.
 R3067 can't allow axial deviation caused by offset.
 Offset, deflection, shaft deviation are individual allowed.

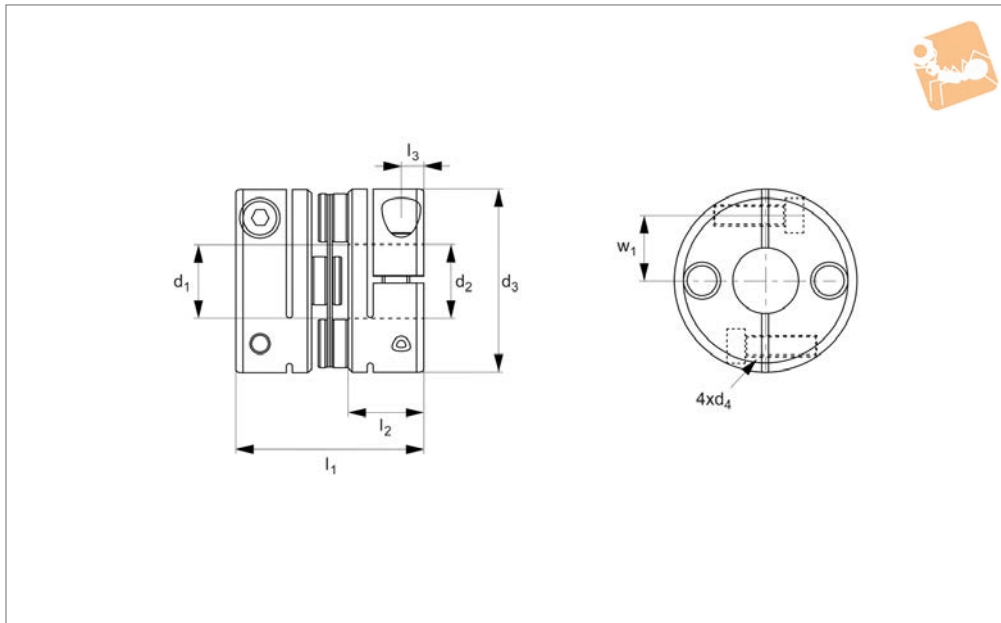
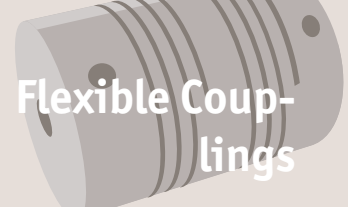
Order No.	d ₁ & d ₂ tol. h8	d ₃	d ₄	l ₁	l ₂	l ₃	w ₁	Clamping screw lock torque Nm
R3067.A-4	4	19	M2	20	8	2.5	6.5	0.5
R3067.A-4.5	4.5	19	M2	20	8	2.5	6.5	0.5
R3067.A-5	5	19	M2	20	8	2.5	6.5	0.5
R3067.A-6	6	19	M2	20	8	2.5	6.5	0.5
R3067.A-7	7	19	M2	20	8	2.5	6.5	0.5
R3067.A-8	8	19	M2	20	8	2.5	6.5	0.5
R3067.B-6	6	25	M2,5	24	10	3.5	9	1
R3067.B-7	7	25	M2,5	24	10	3.5	9	1
R3067.B-8	8	25	M2,5	24	10	3.5	9	1
R3067.B-10	10	25	M2,5	24	10	3.5	9	1
R3067.B-11	11	25	M2,5	24	10	3.5	9	1
R3067.B-12	12	25	M2,5	24	10	3.5	9	1
R3067.C-8	8	32	M3	29	12	4	11	31.5
R3067.C-10	10	32	M3	29	12	4	11	31.5
R3067.C-11	11	32	M3	29	12	4	11	31.5
R3067.C-12	12	32	M3	29	12	4	11	31.5
R3067.C-14	14	32	M3	29	12	4	11	31.5
R3067.C-15	15	32	M3	29	12	4	11	31.5



Single Disk Coupling - Aluminium

clamping type, short type.

Flexible Couplings



R3067.2

FLEXIBLE COUPLINGS

Material

Main frame: Anodized aluminium AL7075
 Disk: Stainless steel SUS301
 Pin: Stainless steel SUS303

Technical Notes

Hard torque load, high torque rigidity and excellent sensibility.

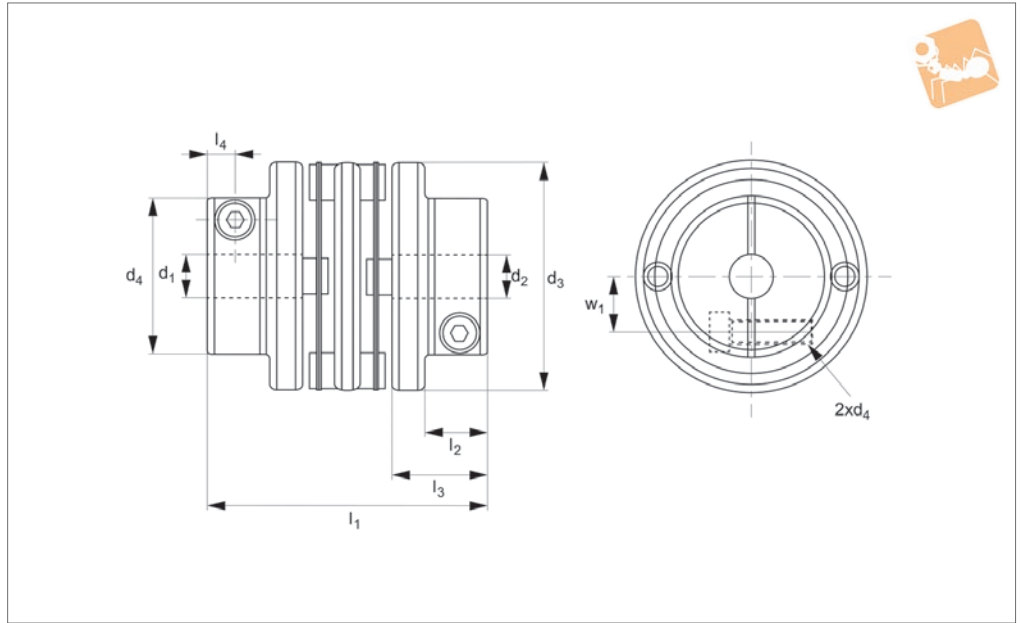
Miniature coupling has short length, no correction for radial deviation.
 Dual stainless steel disk to correct angular and axial deviation.
 Clockwise character is exactly the same as anti-clockwise one.
 Free maintenance, oil resist and anti-

corrosiveness, Zero backlash.
 R3067 can't allow axial deviation caused by offset.
 Offset, deflection, shaft deviation are individual allowed.

Order No.	d ₁ & d ₂ tol. h8	d ₃	d ₄	l ₁	l ₂	l ₃	w ₁	Clamping screw lock torque Nm
R3067.D-8	8	40	M4	33	14	5	15	2.5
R3067.D-17	17	40	M4	33	14	5	15	2.5
R3067.D-18	18	40	M4	33	14	5	15	2.5
R3067.D-19	19	40	M4	33	14	5	15	2.5
R3067.D-20	20	40	M4	33	14	5	15	2.5
R3067.D-10	10	40	M4	33	14	5	15	2.5
R3067.D-11	11	40	M4	33	14	5	15	2.5
R3067.D-12	12	40	M4	33	14	5	15	2.5
R3067.D-14	14	40	M4	33	14	5	15	2.5
R3067.D-15	15	40	M4	33	14	5	15	2.5
R3067.D-16	16	40	M4	33	14	5	15	2.5
R3067.E-14	14	50	M5	42	18	6	18	7
R3067.E-15	15	50	M5	42	18	6	18	7
R3067.E-16	16	50	M5	42	18	6	18	7
R3067.E-17	17	50	M5	42	18	6	18	7
R3067.E-18	18	50	M5	42	18	6	18	7
R3067.E-19	19	50	M5	42	18	6	18	7
R3067.E-20	20	50	M5	42	18	6	18	7
R3067.E-22	22	50	M5	42	18	6	18	7
R3067.E-24	24	50	M5	42	18	6	18	7
R3067.E-25	25	50	M5	42	18	6	18	7



R3068



Material

Main frame: Anodized aluminium AL 7075
 Disk: Stainless steel SUS301.
 Pin: Stainless steel SUS303.

Technical Notes

High wrench torque load, high wrench torque rigidity capacity and excellent

sensibility.

Dual stainless steel rings to correct radial, angular and axial deviation.
 Clockwise character is exactly the same as anti-clockwise one.

Free maintenance, oil resist and anti-corrosiveness, zero backlash.

Offset of angular, parallel, or axial deviation are individual allowed, so couple reasons of axial offset appearing at same time would reduce the unit allowable value.

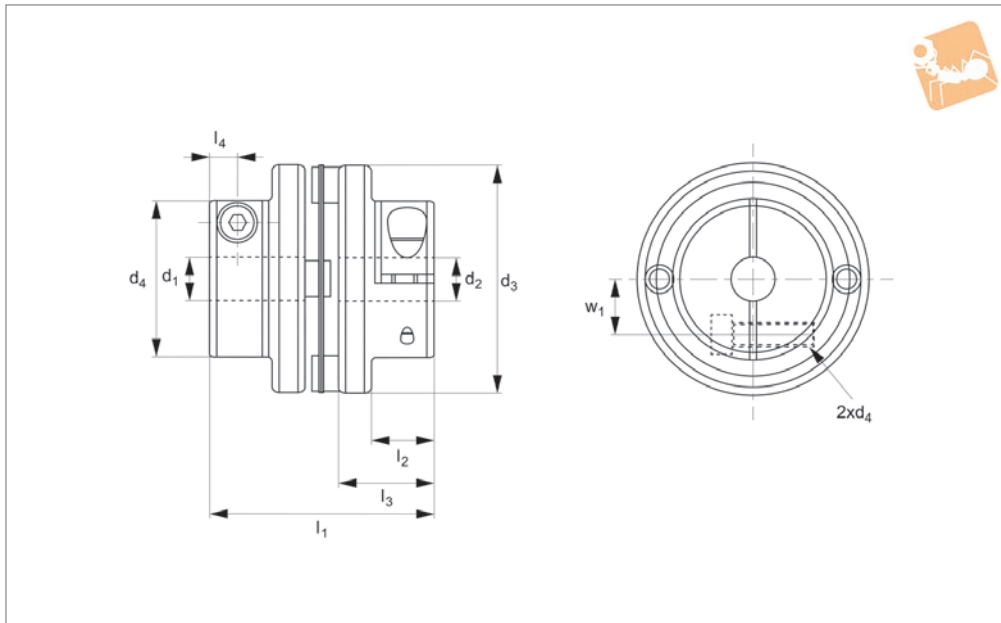
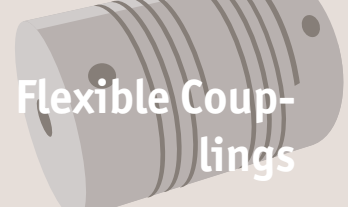
Order No.	d ₁ & d ₂ tol. h8	d ₃	d ₄	d ₅	l ₁	l ₂	l ₃	l ₄	w	Clamping screw lock torque Nm
R3068.A-22-6	6	32	22	M3	40	13.7	9	4	8	1.5
R3068.A-22-7	7	32	22	M3	40	13.7	9	4	8	1.5
R3068.A-22-8	8	32	22	M3	40	13.7	9	4	8	1.5
R3068.A-22-10	10	32	22	M3	40	13.7	9	4	8	1.5
R3068.B-28-7	7	40	28	M4	46	16.5	12	6	10.5	2.5
R3068.B-28-8	8	40	28	M4	46	16.5	12	6	10.5	2.5
R3068.B-28-10	10	40	28	M4	46	16.5	12	6	10.5	2.5
R3068.B-28-11	11	40	28	M4	46	16.5	12	6	10.5	2.5
R3068.B-28-12	12	40	28	M4	46	16.5	12	6	10.5	2.5
R3068.B-28-14	14	40	28	M4	46	16.5	12	6	10.5	2.5
R3068.C-39-12	12	50	39	M5	52	19.4	15	7	14.8	7
R3068.C-39-14	14	50	39	M5	52	19.4	15	7	14.8	7
R3068.C-39-15	15	50	39	M5	52	19.4	15	7	14.8	7
R3068.C-39-16	16	50	39	M5	52	19.4	15	7	14.8	7
R3068.C-39-18	18	50	39	M5	52	19.4	15	7	14.8	7
R3068.C-39-19	19	50	39	M5	52	19.4	15	7	14.8	7
R3068.C-39-20	20	50	39	M5	52	19.4	15	7	14.8	7
R3068.D-45-15	15	63	45	M6	58	22.3	18	8	17	12
R3068.D-45-16	16	63	45	M6	58	22.3	18	8	17	12
R3068.D-45-18	18	63	45	M6	58	22.3	18	8	17	12
R3068.D-45-19	19	63	45	M6	58	22.3	18	8	17	12
R3068.D-45-20	20	63	45	M6	58	22.3	18	8	17	12
R3068.D-45-25	25	63	45	M6	58	22.3	18	8	17	12



Double Disk Coupling - Aluminium

clamp fixing, short type

Flexible Couplings



R3069

FLEXIBLE COUPLINGS

Material

Mainframe: Anodized aluminium AL 7075
 Disk: Stainless steel SUS301
 Pim: Stainless steel SUS303

Technical Notes

Hard torque load, high torque rigidity and excellent sensibility.

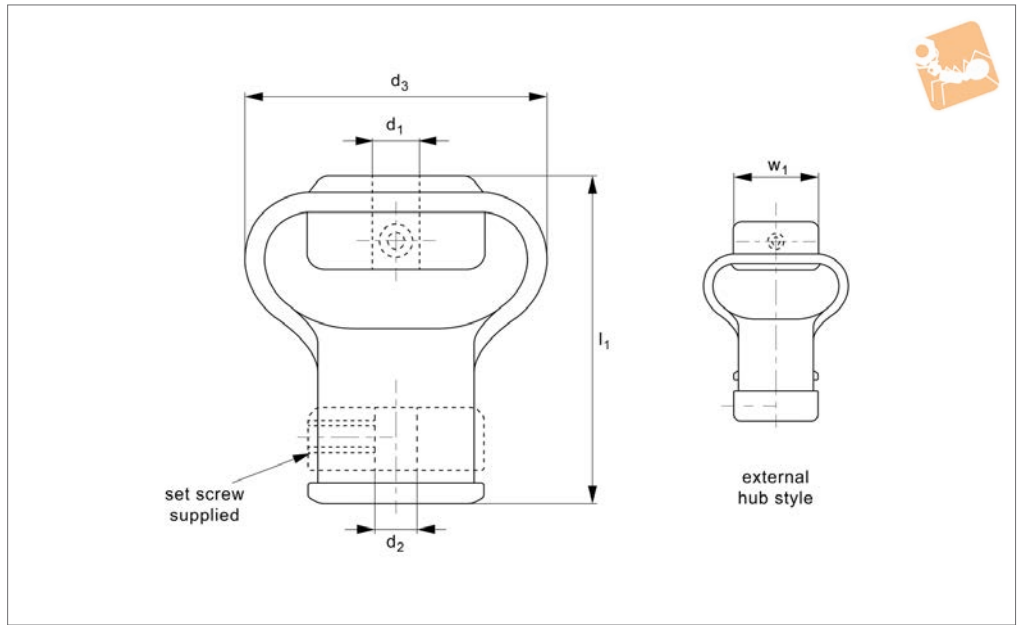
Miniature coupling has short length, zero backlash.
 Dual stainless steel disk to correct angular and axial deviation.
 Clockwise character is exactly the same as anti-clockwise one.
 Free maintenance, oil-resist and anti-

corrosiveness.
 R3069 can't allow axial deviation caused by offset.
 Offset, deflection, shaft deviation are individual allowed value.

Order No.	d ₁ & d ₂ tol. h8	d ₃	d ₄	d ₅	l ₁	l ₂	l ₃	l ₄	w	Clamping screw lock torque Nm
R3069.A-22-6	6	32	22	M3	32	13.7	9	4	8	1.5
R3069.A-22-7	7	32	22	M3	32	13.7	9	4	8	1.5
R3069.A-22-8	8	32	22	M3	32	13.7	9	4	8	1.5
R3069.A-22-10	10	32	22	M3	32	13.7	9	4	8	1.5
R3069.B-28-7	7	40	28	M4	38	16.5	12	6	10.5	2.5
R3069.B-28-8	8	40	28	M4	38	16.5	12	6	10.5	2.5
R3069.B-28-10	10	40	28	M4	38	16.5	12	6	10.5	2.5
R3069.B-28-11	11	40	28	M4	38	16.5	12	6	10.5	2.5
R3069.B-28-12	12	40	28	M4	38	16.5	12	6	10.5	2.5
R3069.B-28-14	14	40	28	M4	38	16.5	12	6	10.5	2.5
R3069.C-39-12	12	50	39	M5	44	19.4	15	7	14.8	7
R3069.C-39-14	14	50	39	M5	44	19.4	15	7	14.8	7
R3069.C-39-15	15	50	39	M5	44	19.4	15	7	14.8	7
R3069.C-39-16	16	50	39	M5	44	19.4	15	7	14.8	7
R3069.C-39-18	18	50	39	M5	44	19.4	15	7	14.8	7
R3069.C-39-19	19	50	39	M5	44	19.4	15	7	14.8	7
R3069.C-39-20	20	50	39	M5	44	19.4	15	7	14.8	7
R3069.D-45-15	15	63	45	M6	50	22.3	18	8	17	12
R3069.D-45-16	16	63	45	M6	50	22.3	18	8	17	12
R3069.D-45-18	18	63	45	M6	50	22.3	18	8	17	12
R3069.D-45-19	19	63	45	M6	50	22.3	18	8	17	12
R3069.D-45-20	20	63	45	M6	50	22.3	18	8	17	12
R3069.D-45-25	25	63	45	M6	50	22.3	18	8	17	12



R3040



Material

Black polyurethane with plated mild steel hub.

Technical Notes

Absorbs end play.
3,600 rpm max.

Quiet running.

Maintenance free (no moving parts).

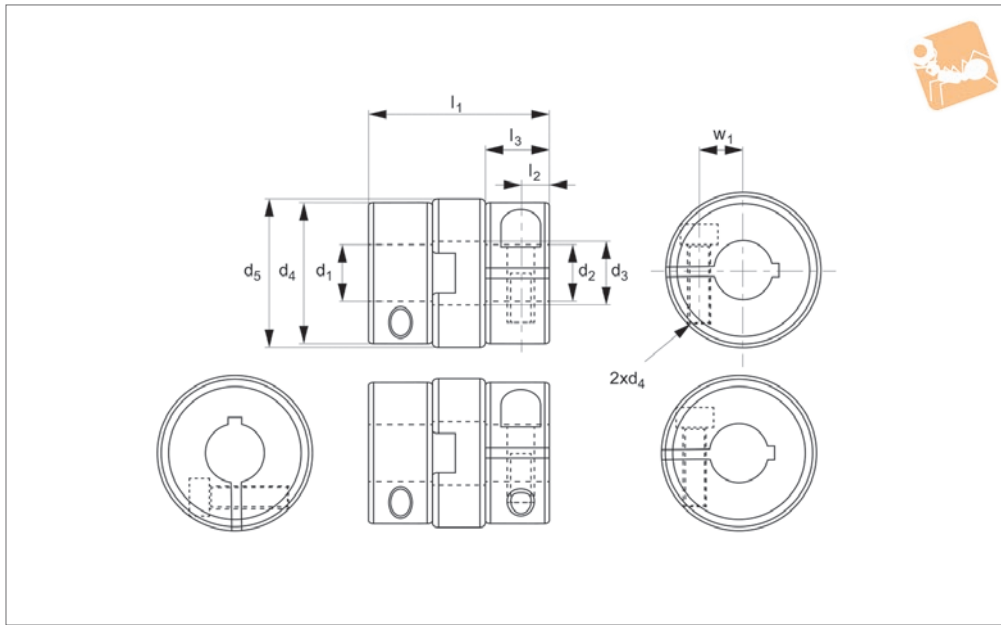
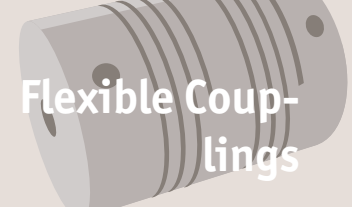
Order No.	Hub	d_1 & d_2	d_3	l	w	Torque Ncm max.	Lat. misalign. max.	Angle misalign. max.
R3040.005-E	External	5	28.5	28.5	17.5	30	2.4	10°
R3040.006-E	External	6	28.5	28.5	17.5	30	2.4	10°
R3040.008-E	External	8	28.5	28.5	17.5	30	2.4	10°
R3040.010-E	External	10	28.5	28.5	17.5	30	2.4	10°
R3040.006-I	Internal	6	47.5	44.5	25.5	135	3.2	15°
R3040.008-I	Internal	8	47.5	44.5	25.5	135	3.2	15°
R3040.010-I	Internal	10	47.5	44.5	25.5	135	3.2	15°
R3040.011-I	Internal	11	47.5	44.5	25.5	135	3.2	15°
R3040.013-I	Internal	13	47.5	44.5	25.5	135	3.2	15°
R3040.110-I	Internal	10	54.0	54.0	32.0	315	4.7	15°
R3040.111-I	Internal	11	54.0	54.0	32.0	315	4.7	15°
R3040.113-I	Internal	13	54.0	54.0	32.0	315	4.7	15°
R3040.014-I	Internal	14	54.0	54.0	32.0	315	4.7	15°
R3040.016-I	Internal	16	54.0	54.0	32.0	315	4.7	15°
R3040.213-I	Internal	13	54.0	60.5	32.0	450	3.2	15°
R3040.114-I	Internal	14	54.0	60.5	32.0	450	3.2	15°
R3040.116-I	Internal	16	54.0	60.5	32.0	450	3.2	15°



Oldham Couplings

stainless steel hub

Flexible Couplings



R3054

FLEXIBLE COUPLINGS

Material

Hub - stainless steel 1,4305.
Insert - polyurethane, bronze or nylon.

Technical Notes

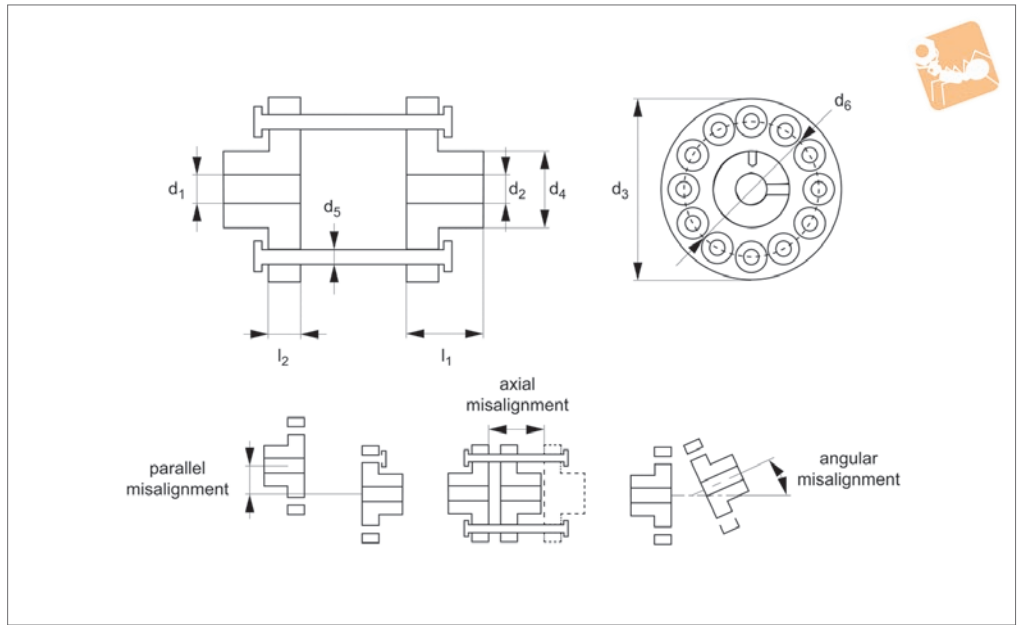
Max. shaft to shaft misalignment 0,3mm.
Max. angular misalignment 1°.

Max. backlash 10 minutes.
For clamps see part no. R3250.

Order No.	Type	l	Ø B	Ø d	Ø H	Torque Ncm max.	Ø C	Centre material
CO3-4M-U	Pin	16.7	3.995	15.9	7.9	50	-	Polyur.
CO3-4M-B	Pin	16.7	3.995	15.9	7.9	250	-	Bronze
CO3-4M-N	Pin	16.7	3.995	15.9	7.9	75	-	Nylon
CO3-5M-U	Pin	18.3	4.995	15.9	9.5	50	-	Polyur.
CO3-5M-B	Pin	18.3	4.995	15.9	9.5	250	-	Bronze
CO3-5M-N	Pin	18.3	4.995	15.9	9.5	75	-	Nylon
CO3-6M-U	Pin	19.8	5.995	15.9	12.7	50	-	Polyur.
CO3-6M-B	Pin	19.8	5.995	15.9	12.7	250	-	Bronze
CO3-6M-N	Pin	19.8	5.995	15.9	12.7	75	-	Nylon
CO3-8M-U	Pin	19.8	7.995	15.9	12.7	50	-	Polyur.
CO3-8M-B	Pin	19.8	7.995	15.9	12.7	250	-	Bronze
CO3-8M-N	Pin	19.8	7.995	15.9	12.7	75	-	Nylon
CO3-10M-U	Pin	39.7	9.995	34.9	19.1	250	-	Polyur.
CO3-10M-N	Pin	39.7	9.995	34.9	19.1	360	-	Nylon
CO3-13M-U	Pin	46.0	12.995	38.1	25.4	300	-	Polyur.
CO3-13M-B	Pin	46.0	12.995	38.1	25.4	1225	-	Bronze
CO3-13M-N	Pin	46.0	12.995	38.1	25.4	430	-	Nylon
CO6-4M-U	Clamp	21.4	3.995	15.9	-	50	5.6	Polyur.
CO6-4M-B	Clamp	21.4	3.995	15.9	-	250	5.6	Bronze
CO6-4M-N	Clamp	21.4	3.995	15.9	-	75	5.6	Nylon
CO6-5M-U	Clamp	21.4	4.995	15.9	--	50	6.6	Polyur.
CO6-5M-B	Clamp	21.4	4.995	15.9	-	250	6.6	Bronze
CO6-5M-N	Clamp	21.4	4.995	15.9	-	75	6.6	Nylon
CO6-6M-U	Clamp	21.4	5.995	15.9	-	50	7.6	Polyur.
CO6-6M-B	Clamp	21.4	5.995	15.9	-	250	7.6	Bronze
CO6-6M-N	Clamp	21.4	5.995	15.9	-	75	7.6	Nylon



R3060



Material

Aluminium (DIN 3,1355) body with polyurethane connection shafts.

Technical Notes

Allows for very high levels of axial and

angular misalignment.

Type A - allows 10° of angular misalignment.

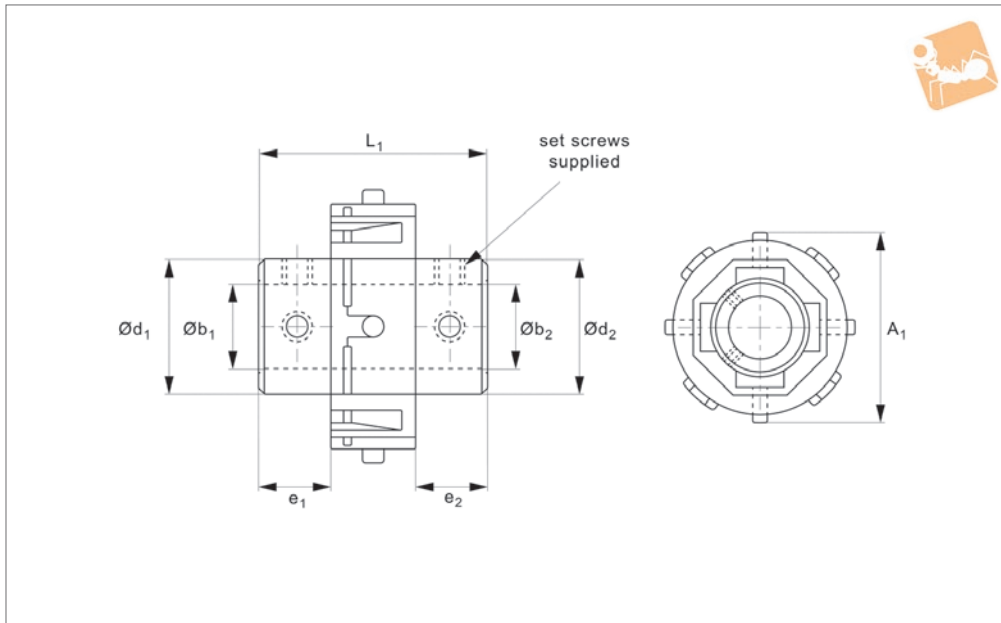
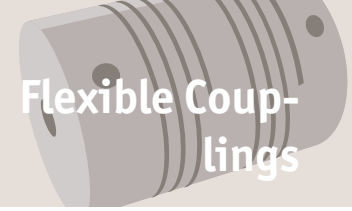
Type B - allows 30° of angular misalignment.

Order No.	d ₁ & d ₂ +0.5	d ₃	d ₄	d ₅	d ₆	l ₁	l ₂	Torque Ncm max.	Angle misalign. max.	No. of pins	Parallel misalign. mm max.	Axial misalign. mm max.
R3060.003-A	3	17.5	8.0	1.6	14.3	8.0	3.2	280	10°	8	1.6	3.6
R3060.005-A	5	25.5	9.5	3.2	19.1	8.7	3.2	390	10°	8	3.2	4.8
R3060.007-A	7	32.0	12.7	3.2	25.4	11.0	4.8	560	10°	10	6.4	6.4
R3060.008-A	8	38.0	12.7	4.8	28.6	11.0	4.8	680	10°	10	5.6	7.9
R3060.010-A	10	50.0	19.0	6.4	38.1	19.0	9.5	1130	10°	12	4.0	9.5
R3060.013-A	13	63.5	25.5	7.9	47.6	22.0	9.5	2260	10°	12	3.2	12.7
R3060.003-B	3	17.5	8.0	1.6	14.3	8.0	3.2	280	30°	8	12.7	11.0
R3060.005-B	5	25.5	9.5	3.2	19.1	8.7	3.2	390	30°	8	16.0	16.0
R3060.007-B	7	32.0	12.7	3.2	25.4	11.0	4.8	560	30°	10	19.0	22.0
R3060.008-B	8	38.0	12.7	4.8	28.6	11.0	4.8	680	30°	10	22.0	28.5
R3060.010-B	10	50.0	19.0	6.4	38.1	19.0	9.5	1130	30°	12	22.5	35.0
R3060.013-B	13	63.5	25.5	7.9	47.6	22.0	9.5	2260	30°	12	32.0	51.0



Universal Lateral coupling screw version

Flexible Couplings



R3062

FLEXIBLE COUPLINGS

Material

Delrin outer ring, brass or aluminium hub.

Offers simultaneous lateral and angular misalignment.

Shaft can pass through for easy installation.

Technical Notes

Zero backlash, low inertia.

Corrosion resistant, no lubrication required, resonance damping.

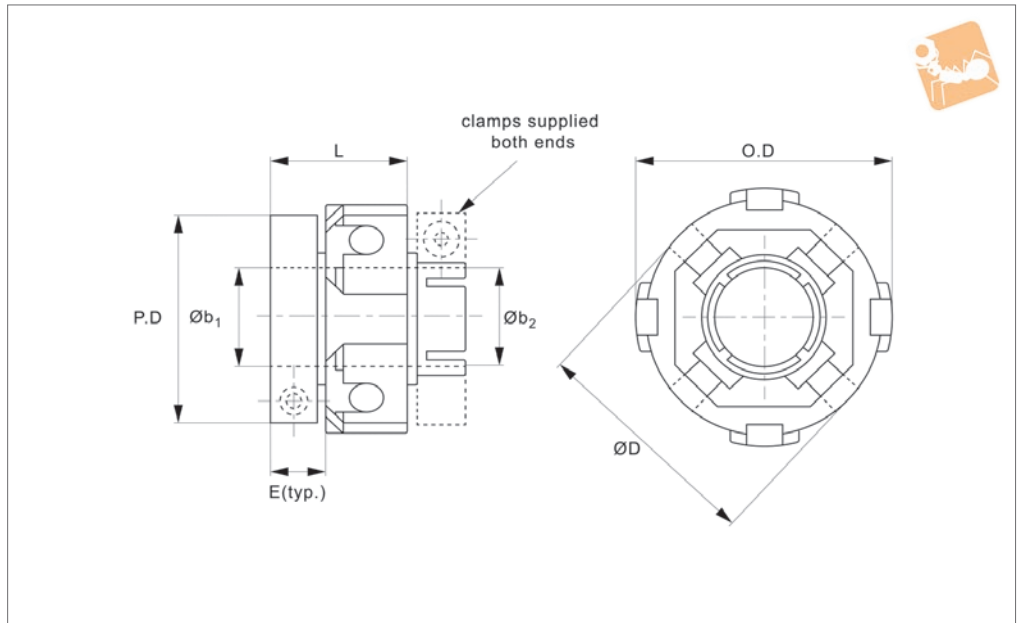
Max. lateral misalignment 0,05.

Max. operating temperature +60°C.

Order No.	Hub	d ₁ +0.03	d ₂ +0.03	d ₃	d ₄	d ₅	l ₁	l ₂	l ₃	Torque Ncm max.	Angle misalign. max.	Parallel misalign. max.
R3062.003-003-BR	Brass	3	3	8.9	8.9	18	14.2	4.0	4.0	27	10°	1.3
R3062.004-004-BR	Brass	4	4	8.9	8.9	18	14.2	4.0	4.0	27	10°	1.3
R3062.005-005-BR	Brass	5	5	8.9	8.9	18	14.2	4.0	4.0	27	10°	1.3
R3062.004-006-BR	Brass	4	6	8.9	11.1	18	16.7	4.0	6.5	27	10°	1.3
R3062.006-006-BR	Brass	6	6	11.1	11.1	18	19.1	6.5	6.5	27	10°	1.3
R3062.003-006-BR	Brass	3	6	12.7	12.7	27.2	19.1	4.8	4.8	169	10°	1.3
R3062.103-004-BR	Brass	4	4	12.7	12.7	27.2	19.1	4.8	4.8	169	10°	1.3
R3062.104-006-BR	Brass	4	6	12.7	12.7	27.2	19.1	4.8	4.8	169	10°	1.3
R3062.106-006-BR	Brass	6	6	12.7	12.7	27.2	19.1	4.8	4.8	169	10°	1.3
R3062.006-010-BR	Brass	6	10	12.7	15.1	27.2	22.3	4.8	7.9	169	10°	1.3
R3062.008-008-BR	Brass	8	8	15.1	15.1	27.2	25.4	7.9	7.9	86	10°	1.3
R3062.010-010-BR	Brass	10	10	15.1	15.1	27.2	25.4	7.9	7.9	86	10°	1.3
R3062.006-006-AL	Alum.	6	6	17.6	17.6	33.7	25.2	7.6	7.6	248	10°	1.3
R3062.006-010-AL	Alum.	6	10	17.6	17.6	33.7	25.2	7.6	7.6	248	10°	1.3
R3062.008-008-AL	Alum.	8	8	17.6	17.6	33.7	25.2	7.6	7.6	248	10°	1.3
R3062.010-012-AL	Alum.	10	12	17.6	20.1	33.7	28.0	7.6	10.2	248	10°	1.3
R3062.012-012-AL	Alum.	12	12	20.1	20.1	33.7	30.7	10.2	10.2	248	10°	1.3
R3062.106-006-AL	Alum.	6	6	22.1	22.1	41.4	28.4	7.6	7.6	429	10°	1.3
R3062.007-007-AL	Alum.	7	7	22.1	22.1	41.4	28.4	7.6	7.6	429	10°	1.3
R3062.108-008-AL	Alum.	8	8	22.1	22.1	41.4	28.4	7.6	7.6	429	10°	1.3
R3062.010-010-AL	Alum.	10	10	22.1	22.1	41.4	28.4	7.6	7.6	429	10°	1.3
R3062.016-016-AL	Alum.	16	16	24.2	24.2	41.4	38.1	12.5	12.5	429	10°	1.3



R3063



Material

Delrin outer ring, brass or aluminium hub.

Technical Notes

Zero backlash, low inertia.
Offers simultaneous lateral and angular misalignment.

Corrosion resistant, no lubrication required.

Resonance damping, shaft can pass through for easy installation.
Max. lateral misalignment 1,0
Max. operating temperature +60°C.

Tips

Clamp hub is integral to hub on C029 series.
Additional bore sizes on request.

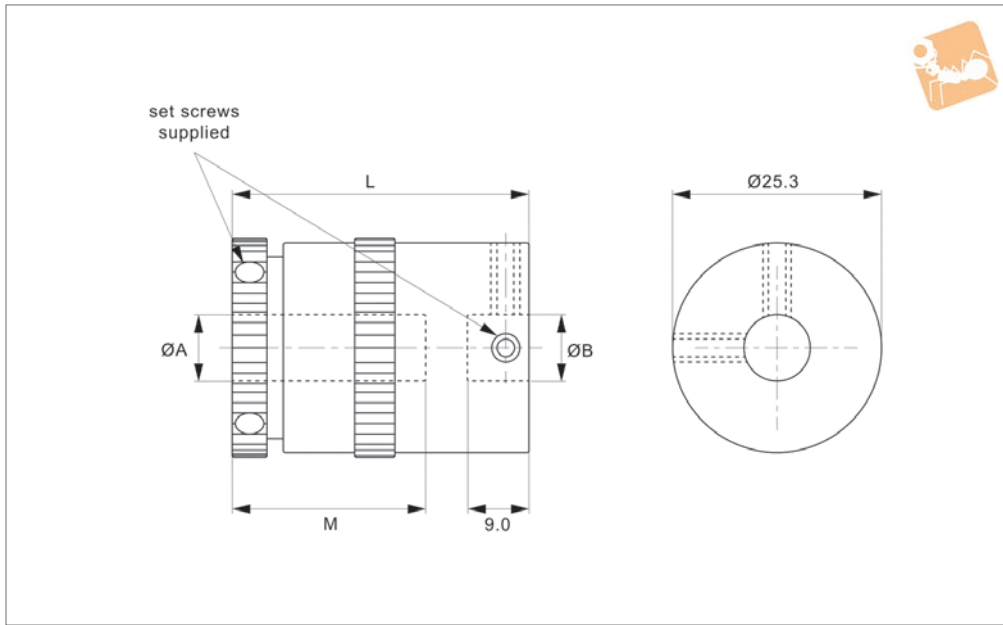
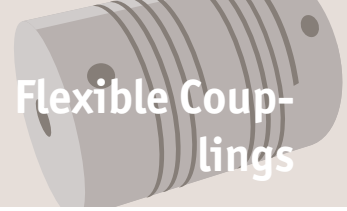
Order No.	Hub	d_1 +0.03 -0.00	d_2 +0.03 -0.00	d_3	d_4	l_1	l_2	Torque Ncm max.	Angle misalign. max.
R3063.003-006-BR	Brass	3.18	6.35	19.1	19.1	19.1	6.5	27	10°
R3063.006-006-BR	Brass	6.00	6.00	19.1	19.1	19.1	6.5	27	10°
R3063.106-006-BR	Brass	6.35	6.35	19.1	19.1	19.1	6.5	27	10°
R3063.005-005-BR	Brass	5.00	5.00	27.2	27.9	25.4	7.9	169	10°
R3063.206-006-BR	Brass	6.00	6.00	27.2	27.9	25.4	7.9	169	10°
R3063.006-008-BR	Brass	6.00	8.00	27.2	27.9	25.4	7.9	169	10°
R3063.007-007-BR	Brass	7.00	7.00	27.2	27.9	25.4	7.9	169	10°
R3063.006-006-AL	Alum.	6.00	6.00	20.1	33.7	30.7	10.2	248	10°
R3063.006-008-AL	Alum.	6.00	8.00	20.1	33.7	30.7	10.2	248	10°
R3063.008-010-AL	Alum.	8.00	10.00	20.1	33.7	30.7	10.2	248	10°
R3063.010-010-AL	Alum.	10.00	10.00	20.1	33.7	30.7	10.2	248	10°
R3063.106-006-AL	Alum.	6.00	6.00	24.2	41.4	38.1	12.5	429	10°
R3063.006-012-AL	Alum.	6.00	12.00	24.2	41.4	38.1	12.5	429	10°
R3063.008-008-AL	Alum.	8.00	8.00	24.2	41.4	38.1	12.5	429	10°
R3063.010-012-AL	Alum.	10.00	12.00	24.2	41.4	38.1	12.5	429	10°
R3063.011-011-AL	Alum.	11.00	11.00	24.2	41.4	38.1	12.5	429	10°
R3063.012-012-AL	Alum.	12.00	12.00	24.2	41.4	38.1	12.5	429	10°



Slip Couplings

Adjustable 2,4 to 130Ncm

Flexible Couplings



R3080

FLEXIBLE COUPLINGS

Material

Aluminium with alocrom finish.
Hubs and plates - heat treated steel.

Sintered bronze bearing.

Technical Notes
Bi-directional.

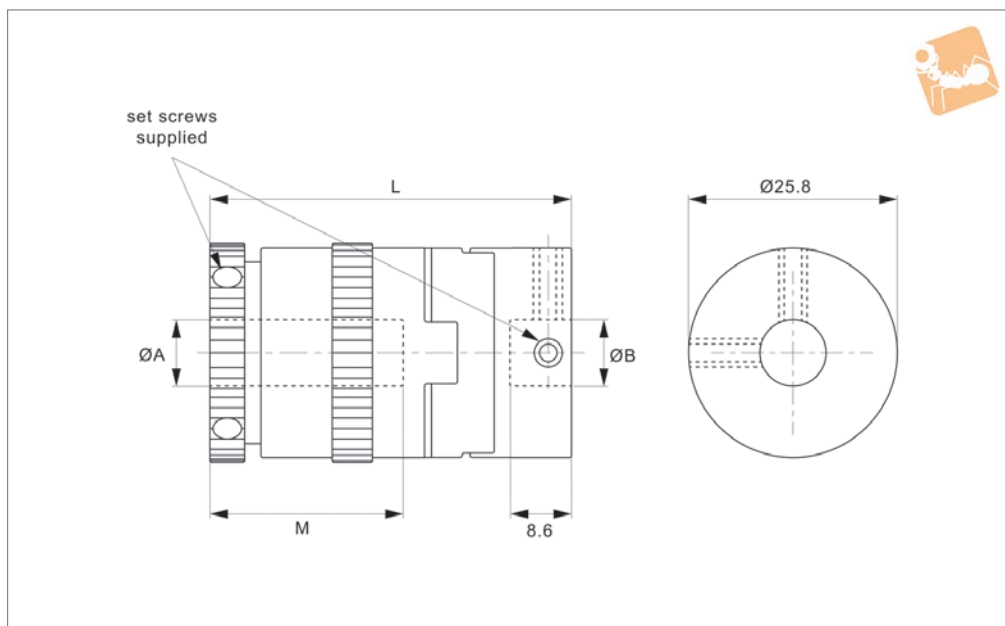
Max. backlash 2°.

Max. operating temperature +80°C.

Order No.	Type	Ø A +0.03	Ø B +0.03	Adj. torque range Ncm min.	Adj. torque range Ncm max.	I ₁	I ₂
R3080.006-25	Slip	6	6	2.4	53.0	36.0	25
R3080.008-25	Slip	8	8	2.4	53.0	36.0	25
R3080.006-31	Slip	6	6	7.8	132.4	42.5	31
R3080.008-31	Slip	8	8	7.8	132.4	42.5	31



R3081



Material

Aluminium with alocrom finish.
Hubs and plates - heat treated steel.

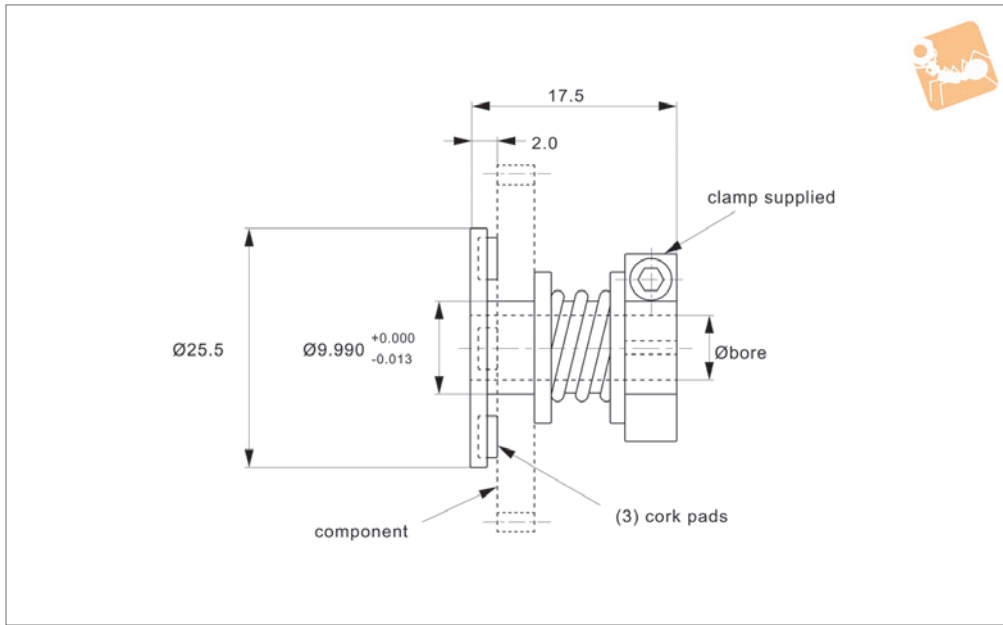
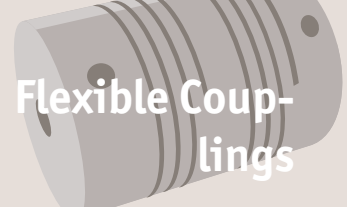
Sintered bronze bearing.

Technical Notes
Bi-directional.

Max. backlash 2°.

Max. operating temperature +80°C.

Order No.	Type	Ø A +0.03	Ø B +0.03	Adj. torque range Ncm min.	Adj. torque range Ncm max.	l	m
R3081.006-25	Oldham Slip	6	6	2.4	53.0	36.0	25
R3081.008-25	Oldham Slip	8	8	2.4	53.0	36.0	25
R3081.006-31	Oldham Slip	6	6	7.8	132.4	42.5	31
R3081.008-31	Oldham Slip	8	8	7.8	132.4	42.5	31



R3092

FLEXIBLE COUPLINGS

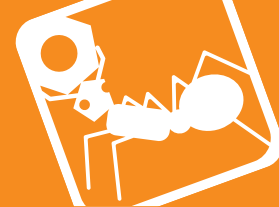
Material

Stainless steel DIN 1,4305.

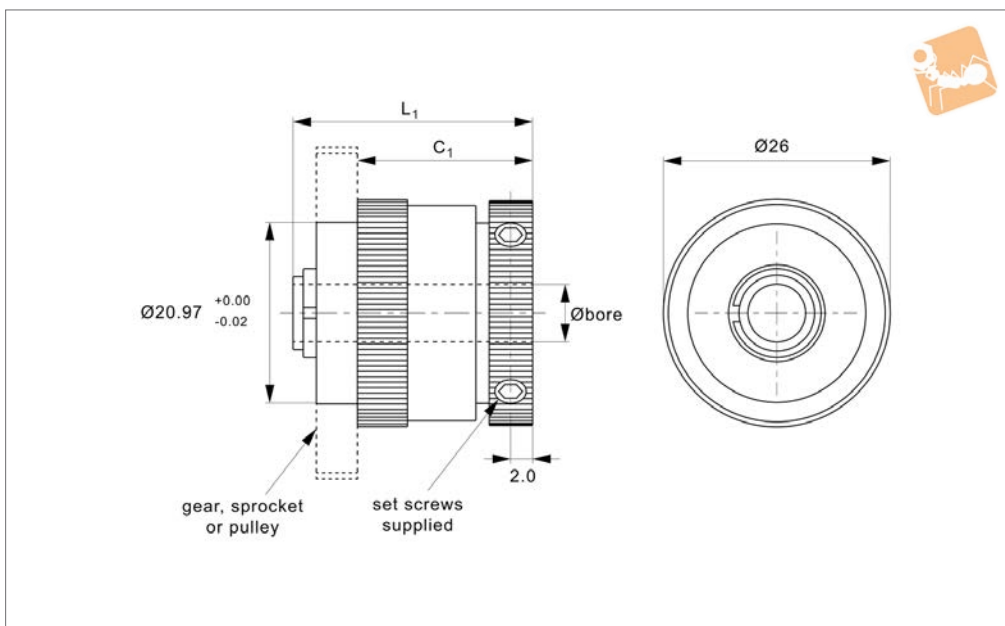
Technical Notes

Adjustable by varying spring force.

Order No.	Bore dia. +0.013	Component thickness	Adjustable slip torque Ncm
R3092.004	3.995	1,5 to 3,0	1,5 (0 to 10); 3,0 (3 to 20)
R3092.005	4.995	1,5 to 3,0	1,5 (0 to 10); 3,0 (3 to 20)
R3092.006	5.995	1,5 to 3,0	1,5 (0 to 10); 3,0 (3 to 20)



R3093



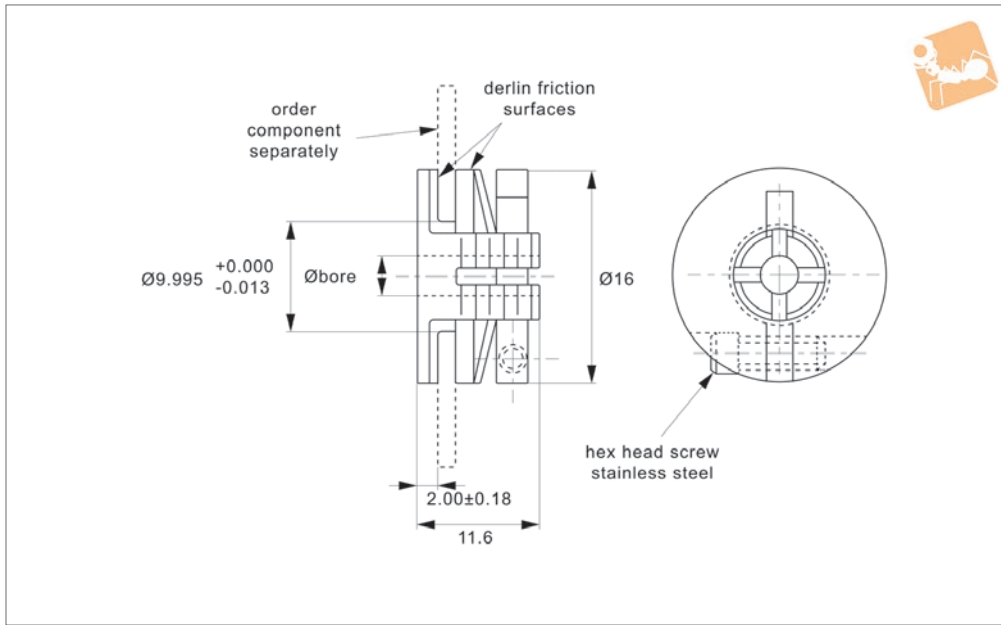
Material
Aluminium housing, adjuster ring and adapters.
Hub and plates - steel.

Sintered bronze bearing.

Technical Notes
Maximum backlash 2° , bi-directional.

Fine knurled torque adjustment rings.
Max. operating temperature 80°C .

Order No.	d_1 $+0.03$	l_1	l_2	Torque range Ncm min.	Torque range Ncm max.
R3093.006-020	6.00	26.4	20.0	2.5	53.5
R3093.008-020	8.00	26.4	20.0	2.5	53.5
R3093.006-026	6.00	32.4	25.6	7.8	132.0
R3093.008-026	8.00	32.4	25.6	7.8	132.0



R3095.1

FLEXIBLE COUPLINGS

Material

Anodized aluminium.

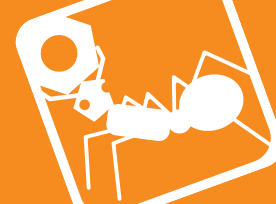
Tips

Special bore sizes available on request.

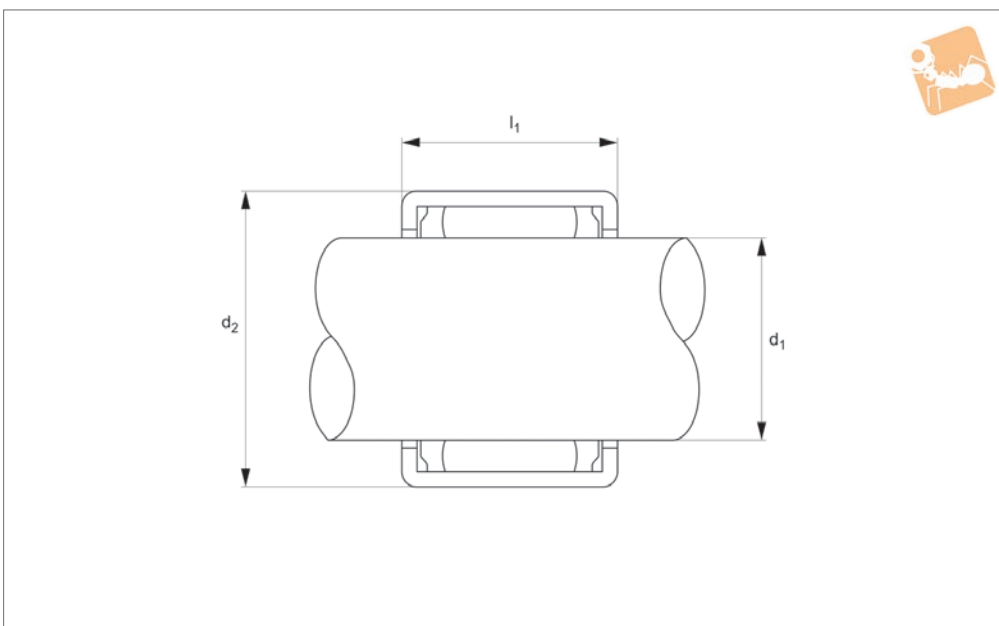
Technical Notes

Adjustable by varying spring force.

Order No.	Component thickness	d ₁
R3095.004	1,5 to 3,0	+0.005 3.995
R3095.005	1,5 to 3,0	4.995



R3098.1



Material

Case hardened steel roller cup. Needle bearings hardened chrome steel. Springs - stainless. Cage - nylon 66. Drawn cup design.

Technical Notes

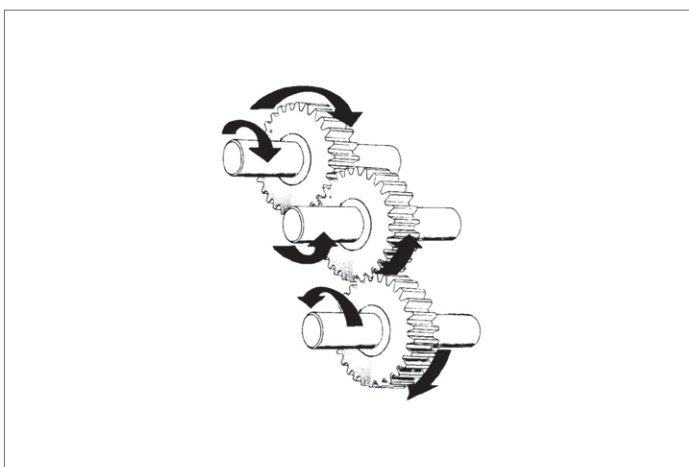
Free rolling one way, drives in opposite direction, minimum backlash. Max. operating temperature 70°C (plastic spring). Temperature range -45°C to +70°C

(grease).

Tips

For shaft tolerance h6.

Order No.	d_1	d_2	l_2 +0.000 -0.008	Housing diameter N7 steel R7 al.	Overrun speed rpm max.	Torque Ncm max.
R3098.004	4	8.00	6.00	8.00	17000	0.34
R3098.006	6	10.00	12.00	10.00	23060	1.76
R3098.008	8	12.00	12.00	12.00	17000	3.15
R3098.010	10	14.00	12.00	14.00	14000	5.30
R3098.012	12	18.00	16.00	18.00	11000	12.20
R3098.020	20	26.00	16.00	26.00	7000	28.50

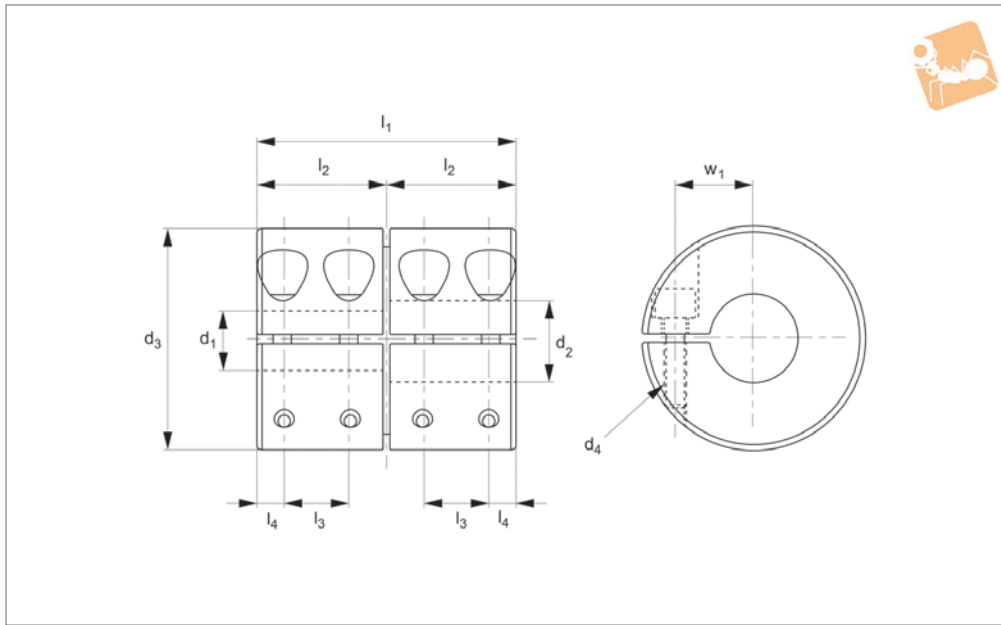




Rigid Shaft Coupling - One Piece

Aluminium, long

Rigid Couplings



R3202

RIGID COUPLINGS

Material

Aluminium alloy, anodized.

Very light with low moment of inertia.

Maintenance free, excellent anti-oil and corrosion resistance.

torque.

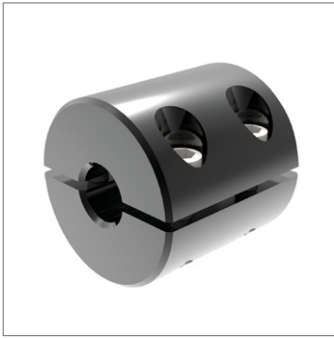
Rotational torque is half static torque.

Technical Notes

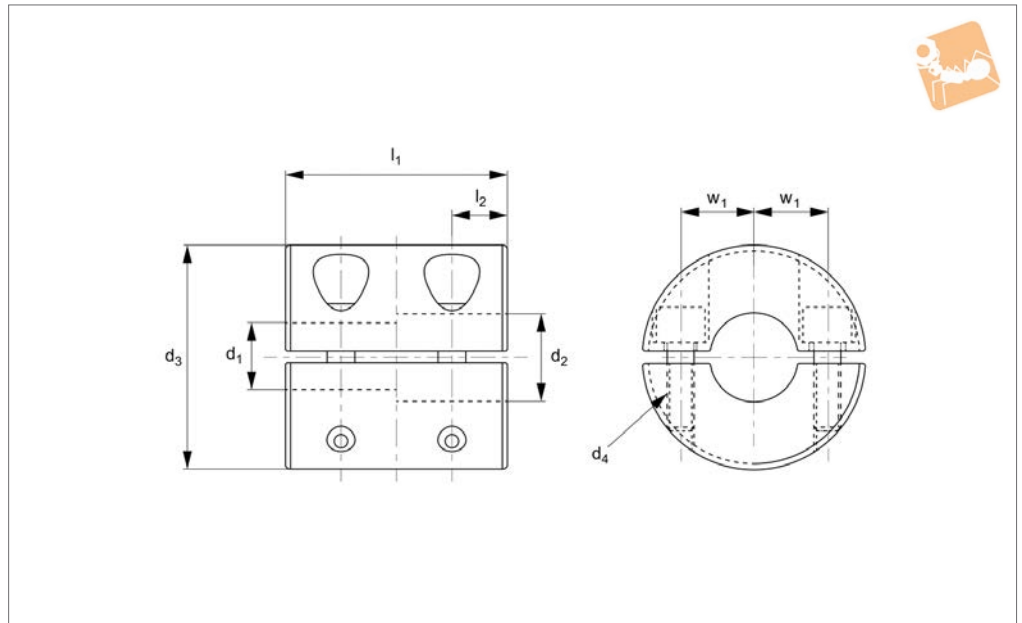
To fit h_7 or h_8 tolerance shafts.

Reciprocating torque is quarter static

Order No.	d_1 tol. H7/H8	d_2 tol. H7/H8	d_3	d_4	l_1	l_2	l_3	w	Static torque Nm	rpm max.	Moment of inertia kg·m ²	Torque screw to Nm	Weight g
R3202.16-05-05	5	5	16	M 2	22	2,5	5,5	5	0,6	9000	$3,4 \times 10^{-7}$	0,5	10
R3202.16-05-06	5	6	16	M 2	22	2,5	5,5	5	0,6	9000	$3,4 \times 10^{-7}$	0,5	10
R3202.16-06-06	6	6	16	M 2	22	2,5	5,5	5	0,6	9000	$3,4 \times 10^{-7}$	0,5	10
R3202.20-06-06	6	6	20	M 2	24	2,5	6,0	7	1	7000	$9,2 \times 10^{-7}$	0,5	18
R3202.20-06-08	6	8	20	M 2	24	2,5	6,0	7	1	7000	$9,2 \times 10^{-7}$	0,5	18
R3202.20-08-08	8	8	20	M 2	24	2,5	6,0	7	1	7000	$9,2 \times 10^{-7}$	0,5	18
R3202.25-08-08	8	8	25	M2,5	36	4,5	9,0	9	2	6000	$3,4 \times 10^{-6}$	1,0	38
R3202.25-08-10	8	10	25	M2,5	36	4,5	9,0	9	2	6000	$3,4 \times 10^{-6}$	1,0	38
R3202.25-10-10	10	10	25	M2,5	36	4,5	9,0	9	2	6000	$3,4 \times 10^{-6}$	1,0	38
R3202.32-10-10	10	10	32	M 3	40	4,0	10,0	11	4	4500	$1,0 \times 10^{-5}$	1,5	70
R3202.32-10-12	10	12	32	M 3	40	4,0	10,0	11	4	4500	$1,0 \times 10^{-5}$	1,5	70
R3202.32-10-14	10	14	32	M 3	40	4,0	10,0	11	4	4500	$1,0 \times 10^{-5}$	1,5	70
R3202.32-12-12	12	12	32	M 3	40	4,0	10,0	11	4	4500	$1,0 \times 10^{-5}$	1,5	70
R3202.32-12-14	12	14	32	M 3	40	4,0	10,0	11	4	4500	$1,0 \times 10^{-5}$	1,5	70
R3202.32-14-14	14	14	32	M 3	40	4,0	10,0	11	4	4500	$1,0 \times 10^{-5}$	1,5	70



R3206



Material

Aluminium alloy, Stainless steel screw (A2).

Technical Notes

To fit h_7 or h_8 tolerance shafts.

Very light with low moment of inertia.
Maintenance free, excellent anti-oil and corrosion resistance.
Reciprocating torque is quarter static torque.

Rotational torque is half static torque.

Important Notes

Different bore sizes available on request.
For keyways, please add „KW“ suffix when ordering.

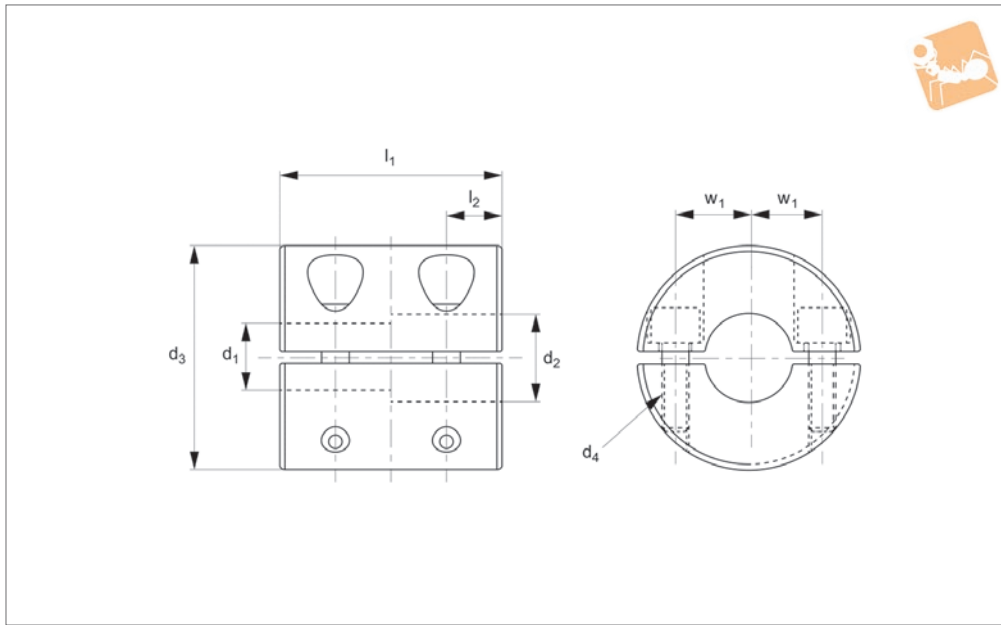
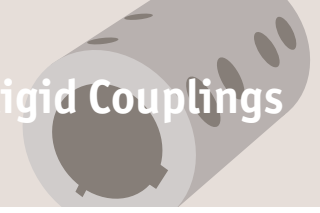
Order No.	d_1 tol. H7/H8	d_2 tol. H7/H8	d_3	d_4	l_1	l_2	Static torque Nm	rpm max.	Moment of inertia kg·m ²	Torque screw to Nm	Weight g	Weight g
R3206.16-05-05	5	5	16	M2,5	16	4	0.6	9500	$3,2 \times 10^{-7}$	1.0	9	9
R3206.16-05-06	5	6	16	M2,5	16	4	0.6	9500	$3,2 \times 10^{-7}$	1.0	9	9
R3206.16-06-06	6	6	16	M2,5	16	4	0.6	9500	$3,2 \times 10^{-7}$	1.0	9	9
R3206.20-06-06	6	6	20	M2,5	20	5	1	7600	$8,7 \times 10^{-7}$	1.0	15	15
R3206.20-06-08	6	8	20	M2,5	20	5	1	7600	$8,7 \times 10^{-7}$	1.0	15	15
R3206.20-08-08	8	8	20	M2,5	20	5	1	7600	$8,7 \times 10^{-7}$	1.0	15	15
R3206.25-08-08	8	8	25	M 3	25	6	2	6100	$2,7 \times 10^{-6}$	1.5	29	29
R3206.25-08-10	8	10	25	M 3	25	6	2	6100	$2,7 \times 10^{-6}$	1.5	29	29
R3206.25-10-10	10	10	25	M 3	25	6	2	6100	$2,7 \times 10^{-6}$	1.5	29	29
R3206.32-10-10	10	10	32	M 4	32	8	4	4800	$9,3 \times 10^{-6}$	2.5	61	61
R3206.32-10-12	10	12	32	M 4	32	8	4	4800	$9,3 \times 10^{-6}$	2.5	61	61
R3206.32-10-14	10	14	32	M 4	32	8	4	4800	$9,3 \times 10^{-6}$	2.5	61	61
R3206.32-12-12	12	12	32	M 4	32	8	4	4800	$9,3 \times 10^{-6}$	2.5	61	61
R3206.32-12-14	12	14	32	M 4	32	8	4	4800	$9,3 \times 10^{-6}$	2.5	61	61
R3206.32-14-14	14	14	32	M 4	32	8	4	4800	$9,3 \times 10^{-6}$	2.5	61	61



Rigid Shaft Coupling - Two Piece

Stainless, short

Rigid Couplings



R3207

RIGID COUPLINGS

Material

Stainless steel (A2).

Technical Notes

Light, very low inertial, beam type with minimal allowable offset.

Maintenance free, excellent anti-oil and corrosion resistance.

Reciprocating torque is quarter static torque.

Rotational torque is half static torque.

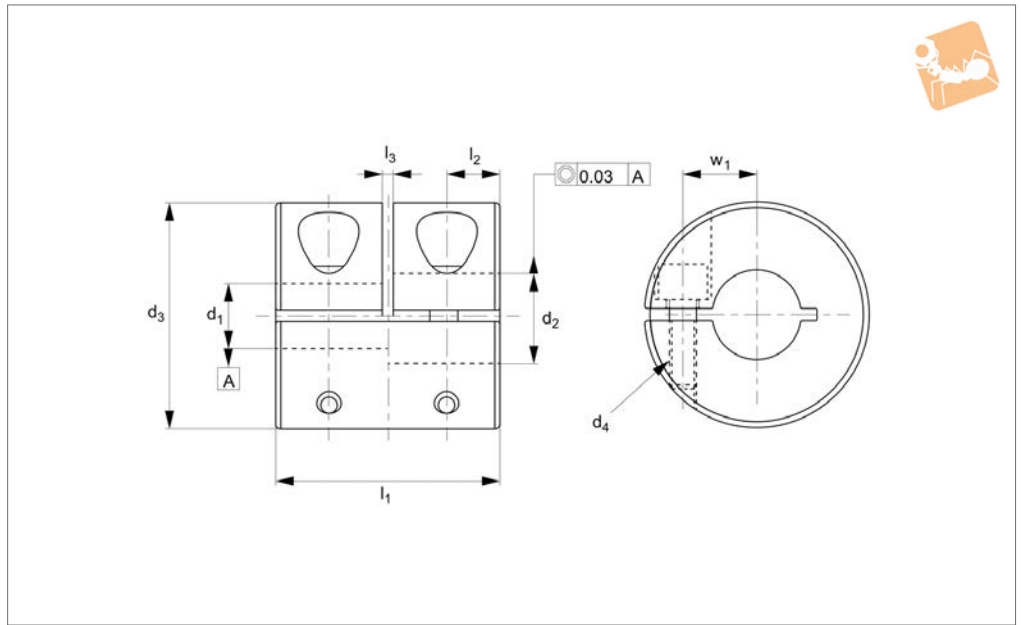
Important Notes

Different bore sizes available on request. For keyways, please add „-KW“ suffix when ordering.

Order No.	d ₁ tol. H7/H8	d ₂ tol. H7/H8	d ₃	d ₄	l ₁	l ₂	Static torque Nm	rpm max.	Moment of inertia kg·m ²	Torque screw to Nm	Weight g	Weight g
R3207.16-05-05	5	5	16	M2,5	16	4	0.6	9500	8,2x10 ⁻⁷	1.0	22	22
R3207.16-05-06	5	6	16	M2,5	16	4	0.6	9500	8,2x10 ⁻⁷	1.0	22	22
R3207.16-06-06	6	6	16	M2,5	16	4	0.6	9500	8,2x10 ⁻⁷	1.0	22	22
R3207.20-06-06	6	6	20	M2,5	20	5	1	7600	2,4x10 ⁻⁶	1.0	41	41
R3207.20-06-08	6	-	20	M2,5	20	5	1	7600	2,4x10 ⁻⁶	1.0	41	41
R3207.20-08-08	8	8	20	M2,5	20	5	1	7600	2,4x10 ⁻⁶	1.0	41	41
R3207.25-08-08	8	8	25	M 3	25	6	2	6100	7,3x10 ⁻⁶	1.5	80	80
R3207.25-08-10	8	10	25	M 3	25	6	2	6100	7,3x10 ⁻⁶	1.5	80	80
R3207.25-10-10	10	10	25	M 3	25	6	2	6100	7,3x10 ⁻⁶	1.5	80	80
R3207.32-10-10	10	10	32	M 4	32	8	4	4800	2,5x10 ⁻⁵	2.5	160	160
R3207.32-10-12	10	12	32	M 4	32	8	4	4800	2,5x10 ⁻⁵	2.5	160	160
R3207.32-10-14	10	14	32	M 4	32	8	4	4800	2,5x10 ⁻⁵	2.5	160	160
R3207.32-12-12	12	12	32	M 4	32	8	4	4800	2,5x10 ⁻⁵	2.5	160	160
R3207.32-12-14	12	14	32	M 4	32	8	4	4800	2,5x10 ⁻⁵	2.5	160	160
R3207.32-14-14	14	14	32	M 4	32	8	4	4800	2,5x10 ⁻⁵	2.5	160	160



R3201



Material

Aluminium alloy, anodised

Corrosion resistant.

Reciprocating torque is quarter static torque.

Technical Notes

Light weight, maintenance free and corrosion resistant.

Rotational torque is half static torque.

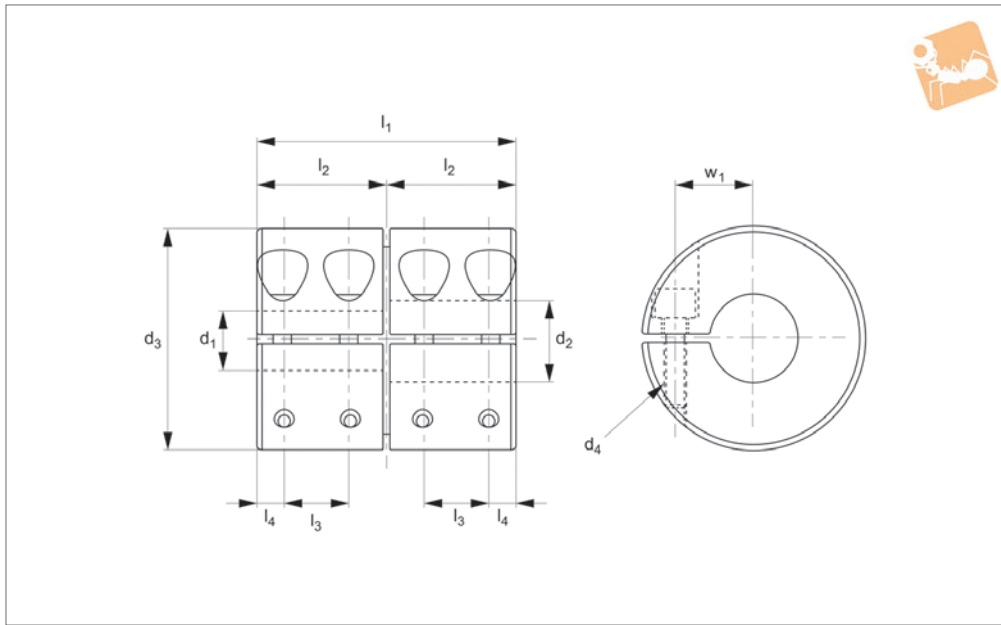
Order No.	d ₁ tol. H7/H8	d ₂ tol. H7/H8	d ₃	d ₄	l ₁	l ₂	l ₃	w	Static torque Nm	rpm max.	Moment of inertia kg·m ²	Torque screw to Nm	Weight g
R3201.16-05-05	5	5	16	M 2,5	16	3,75	1,0	5,0	0,6	9500	3,0x10 ⁻⁷	1,0	9
R3201.16-05-06	5	6	16	M 2,5	16	3,75	1,0	5,0	0,6	9500	3,0x10 ⁻⁷	1,0	9
R3201.16-06-06	6	6	16	M 2,5	16	3,75	1,0	5,0	0,6	9500	3,0x10 ⁻⁷	1,0	9
R3201.20-06-06	6	6	20	M 2,5	20	4,75	1,0	6,5	1	7600	8,7x10 ⁻⁷	1,0	15
R3201.20-06-08	6	8	20	M 2,5	20	4,75	1,0	6,5	1	7600	8,7x10 ⁻⁷	1,0	15
R3201.20-08-08	8	8	20	M 2,5	20	4,75	1,0	6,5	1	7600	8,7x10 ⁻⁷	1,0	15
R3201.25-08-08	8	8	25	M 3	25	6,0	1,0	9,0	2	6100	2,7x10 ⁻⁶	1,5	29
R3201.25-08-10	8	10	25	M 3	25	6,0	1,0	9,0	2	6100	2,7x10 ⁻⁶	1,5	29
R3201.25-10-10	10	10	25	M 3	25	6,0	1,0	9,0	2	6100	2,7x10 ⁻⁶	1,5	29
R3201.32-10-10	10	10	32	M 4	32	7,75	1,0	11,0	4	4800	7,1x10 ⁻⁶	2,5	61
R3201.32-10-12	10	12	32	M 4	32	7,75	1,0	11,0	4	4800	7,1x10 ⁻⁶	2,5	61
R3201.32-10-14	10	14	32	M 4	32	7,75	1,0	11,0	4	4800	7,1x10 ⁻⁶	2,5	61
R3201.32-12-12	12	12	32	M 4	32	7,75	1,0	11,0	4	4800	7,1x10 ⁻⁶	2,5	61
R3201.32-12-14	12	14	32	M 4	32	7,75	1,0	11,0	4	4800	7,1x10 ⁻⁶	2,5	61
R3201.32-14-14	14	14	32	M 4	32	7,75	1,0	11,0	4	4800	7,1x10 ⁻⁶	2,5	61
R3201.40-14-14	14	14	40	M 5	44	10,5	1,5	13,0	8	4000	1,5x10 ⁻⁵	7,0	120
R3201.40-14-15	14	15	40	M 5	44	10,5	1,5	13,0	8	4000	1,5x10 ⁻⁵	7,0	120
R3201.40-14-16	14	16	40	M 5	44	10,5	1,5	13,0	8	4000	1,5x10 ⁻⁵	7,0	120
R3201.40-14-18	14	18	40	M 5	44	10,5	1,5	13,0	8	4000	1,5x10 ⁻⁵	7,0	120
R3201.40-15-15	15	15	40	M 5	44	10,5	1,5	13,0	8	4000	1,5x10 ⁻⁵	7,0	120
R3201.40-15-16	15	16	40	M 5	44	10,5	1,5	13,0	8	4000	1,5x10 ⁻⁵	7,0	120
R3201.40-15-18	15	18	40	M 5	44	10,5	1,5	13,0	8	4000	1,5x10 ⁻⁵	7,0	120
R3201.40-16-16	16	16	40	M 5	44	10,5	1,5	13,0	8	4000	1,5x10 ⁻⁵	7,0	120
R3201.40-16-18	16	18	40	M 5	44	10,5	1,5	13,0	8	4000	1,5x10 ⁻⁵	7,0	120
R3201.40-18-18	18	18	40	M 5	44	10,5	1,5	13,0	8	4000	1,5x10 ⁻⁵	7,0	120



Rigid Shaft Coupling - One Piece

Stainless, clamping, long

Rigid Couplings



R3203

RIGID COUPLINGS

Material

Stainless steel (A2).

Technical Notes

Beam type with minimal allowable offset.
Maintenance free, excellent anti-oil and

corrosion resistance.

Reciprocating torque is quarter static torque.

Rotational torque is half static torque.

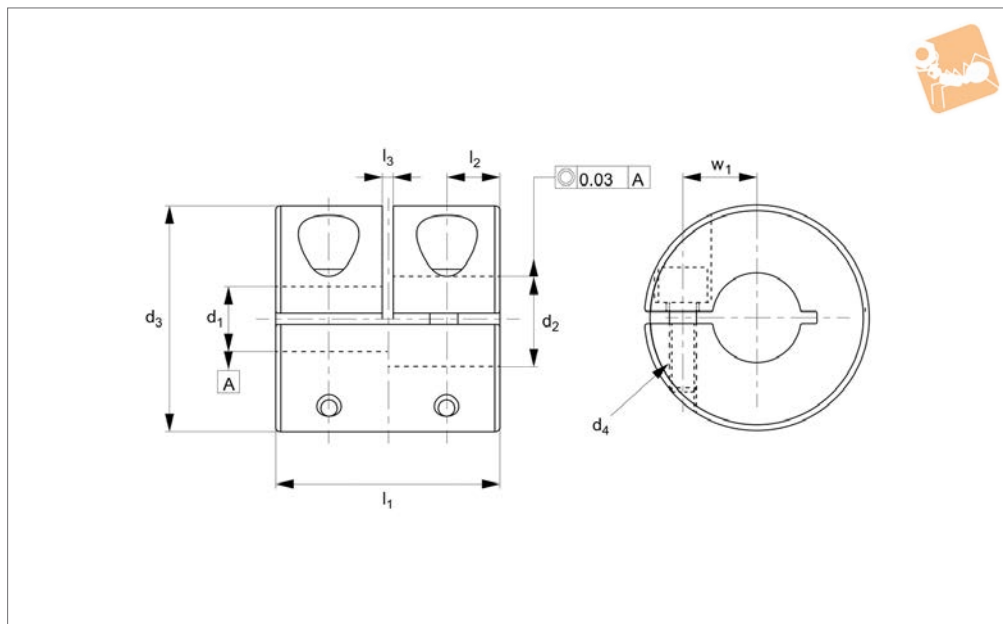
Important Notes

Different bore sizes available on request.
Keyways are standard to DIN 6885.
See keyway technical pages.

Order No.	d ₁ tol. H7/H8	d ₂ tol. H7/H8	d ₃	d ₄	l ₁	l ₂	l ₃	w	Static torque Nm	rpm max.	Moment of inertia kg·m ²	Torque screw to Nm	Weight g
R3203.16-05-05	5	5	16	M 2	22	2,5	5,5	5	0,6	9000	8,9x10 ⁻⁷	0,5	25
R3203.16-05-06	5	6	16	M 2	22	2,5	5,5	5	0,6	9000	8,9x10 ⁻⁷	0,5	25
R3203.16-06-06	6	6	16	M 2	22	2,5	5,5	5	0,6	9000	8,9x10 ⁻⁷	0,5	25
R3203.20-06-06	6	6	20	M 2	24	2,5	6,0	7	1	7000	2,5x10 ⁻⁶	0,5	45
R3203.20-06-08	6	8	20	M 2	24	2,5	6,0	7	1	7000	2,5x10 ⁻⁶	0,5	45
R3203.20-08-08	8	8	20	M 2	24	2,5	6,0	7	1	7000	2,5x10 ⁻⁶	0,5	45
R3203.25-08-08	8	8	25	M2,5	36	4,5	9,0	9	2	6000	9,2x10 ⁻⁶	1,0	100
R3203.25-08-10	8	10	25	M2,5	36	4,5	9,0	9	2	6000	9,2x10 ⁻⁶	1,0	100
R3203.25-10-10	10	10	25	M2,5	36	4,5	9,0	9	2	6000	9,2x10 ⁻⁶	1,0	100
R3203.32-10-10	10	10	32	M 3	40	4,0	10,0	11	4	4500	2,7x10 ⁻⁵	1,5	180
R3203.32-10-12	10	12	32	M 3	40	4,0	10,0	11	4	4500	2,7x10 ⁻⁵	1,5	180
R3203.32-10-14	10	14	32	M 3	40	4,0	10,0	11	4	4500	2,7x10 ⁻⁵	1,5	180
R3203.32-12-12	12	12	32	M 3	40	4,0	10,0	11	4	4500	2,7x10 ⁻⁵	1,5	180
R3203.32-12-14	12	14	32	M 3	40	4,0	10,0	11	4	4500	2,7x10 ⁻⁵	1,5	180
R3203.32-14-14	14	14	32	M 3	40	4,0	10,0	11	4	4500	2,7x10 ⁻⁵	1,5	180



R3204



Material

Stainless steel (A2).

Technical Notes

To fit h_7 and h_8 tolerance shafts.

Maintenance free, excellent anti-oil and

corrosion resistance.

Reciprocating torque is quarter static torque.

Rotational torque is half static torque.

Important Notes

Different bore sizes available on request.

For keyways, please add „-KW“ suffix when ordering.

Order No.	d_1 tol. H7/H8	d_2 tol. H7/H8	d_3	d_4	l_1	Weight g
R3204.16-05-05	5	5	16	M2,5	16	9
R3204.16-05-06	5	6	16	M2,5	16	9
R3204.16-06-06	6	6	16	M2,5	16	9
R3204.20-06-06	6	6	20	M2,5	20	15
R3204.20-06-08	6	8	20	M2,5	20	15
R3204.20-08-08	8	8	20	M2,5	20	15
R3204.25-08-08	8	8	25	M 3	25	29
R3204.25-08-10	8	10	25	M 3	25	29
R3204.25-10-10	10	10	25	M 3	25	29
R3204.32-10-10	10	10	32	M 4	32	61
R3204.32-10-12	10	12	32	M 4	32	61
R3204.32-10-14	10	14	32	M 4	32	61
R3204.32-12-12	12	12	32	M 4	32	61
R3204.32-12-14	12	14	32	M 4	32	61
R3204.32-14-14	14	14	32	M 4	32	61

Order No.	l_2	l_3	w_1	Static torque Nm	rpm max.	Moment of inertia kg·m ²	Torque screw to Nm	Weight g
R3204.16-05-05	3.75	1.0	5.0	0.6	9500	$3,0 \times 10^{-7}$	1.0	9
R3204.16-05-06	3.75	1.0	5.0	0.6	9500	$3,0 \times 10^{-7}$	1.0	9
R3204.16-06-06	3.75	1.0	5.0	0.6	9500	$3,0 \times 10^{-7}$	1.0	9
R3204.20-06-06	4.75	1.0	6.5	1	7600	$8,7 \times 10^{-7}$	1.0	15
R3204.20-06-08	4.75	1.0	6.5	1	7600	$8,7 \times 10^{-7}$	1.0	15
R3204.20-08-08	4.75	1.0	6.5	1	7600	$8,7 \times 10^{-7}$	1.0	15
R3204.25-08-08	6.0	1.0	9.0	2	6100	$2,7 \times 10^{-6}$	1.5	29
R3204.25-08-10	6.0	1.0	9.0	2	6100	$2,7 \times 10^{-6}$	1.5	29
R3204.25-10-10	6.0	1.0	9.0	2	6100	$2,7 \times 10^{-6}$	1.5	29
R3204.32-10-10	7.75	1.0	11	4	4800	$7,1 \times 10^{-6}$	2.5	61
R3204.32-10-12	7.75	1.0	11	4	4800	$7,1 \times 10^{-6}$	2.5	61
R3204.32-10-14	7.75	1.0	11	4	4800	$7,1 \times 10^{-6}$	2.5	61
R3204.32-12-12	7.75	1.0	11	4	4800	$7,1 \times 10^{-6}$	2.5	61
R3204.32-12-14	7.75	1.0	11	4	4800	$7,1 \times 10^{-6}$	2.5	61



Rigid Shaft Coupling - One Piece

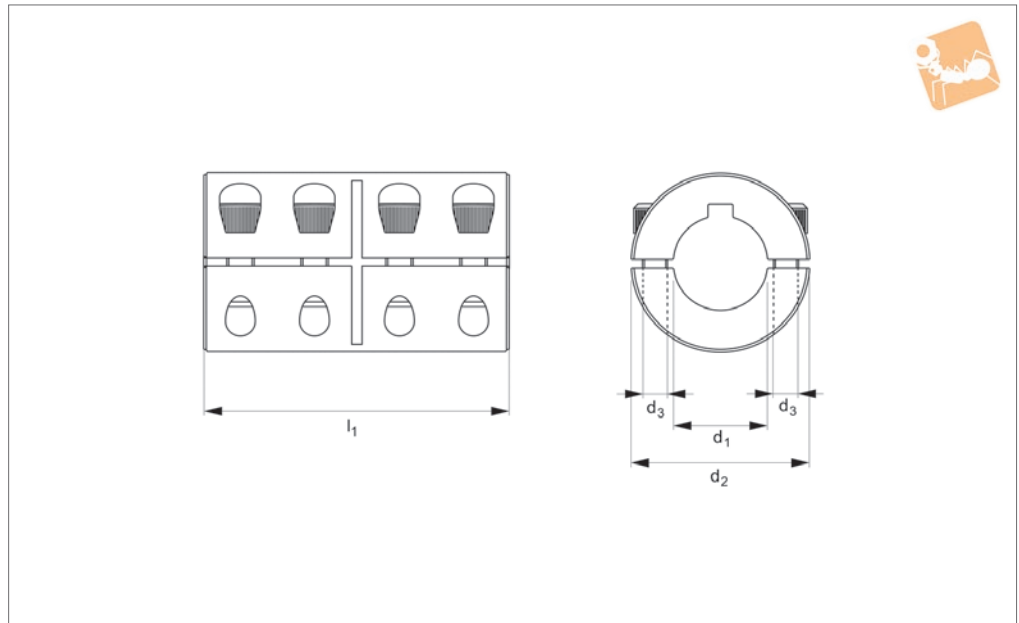
Stainless, short

Rigid Couplings

Order No.	l_2	l_3	w_1	Static torque Nm	rpm max.	Moment of inertia $\text{kg}\cdot\text{m}^2$	Torque screw to Nm	Weight g
R3204.32-14-14	7.75	1.0	11	4	4800	$7,1 \times 10^{-6}$	2.5	61



R3200



Material

Steel (AISI 12L14), black oxide finish, or stainless steel (A2, AISI 303).

High axial load and torque capacity.
Part shown above with keyway.

Keyways are standard to DIN 6885.
See keyway technical pages.

Technical Notes

To fit h_7 or h_8 tolerance shafts.

Important Notes

Different bore sizes available on request.

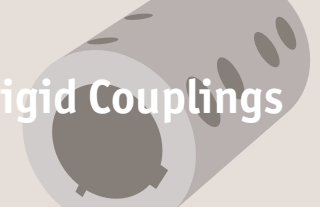
Order No.	d_1 tol. H7/H8	d_2	d_3	l_1	Static torque Nm	Material	Type	Torque screw to Nm	Weight g	Weight g
R3200.060-BL	6	18	M 3	6	70	Steel	standard	2.0	40	40
R3200.080-BL	8	24	M 3	8	70	Steel	standard	2.0	100	100
R3200.100-BL	10	29	M 4	10	105	Steel	standard	4.5	180	180
R3200.120-BL	12	29	M 4	12	105	Steel	standard	4.5	180	180
R3200.140-BL	14	34	M 5	14	200	Steel	standard	9.5	270	270
R3200.150-BL	15	34	M 5	15	200	Steel	standard	9.5	260	260
R3200.160-BL	16	34	M 5	16	200	Steel	standard	9.5	260	260
R3200.200-BL	20	42	M 6	20	350	Steel	standard	16.5	510	510
R3200.250-BL	25	45	M 6	25	400	Steel	standard	16.5	620	620
R3200.300-BL	30	53	M 6	30	475	Steel	standard	16.5	920	920
R3200.350-BL	35	67	M 8	35	1100	Steel	standard	39.0	1880	1880
R3200.400-BL	40	77	M 8	40	1325	Steel	standard	39.0	2710	2710
R3200.500-BL	50	85	M10	50	2250	Steel	standard	78.0	3520	3520
R3200.080-BL-K	8	24	M 3	8	70	Steel	with keyway	2.0	100	100
R3200.100-BL-K	10	29	M 4	10	70	Steel	with keyway	4.5	180	180
R3200.120-BL-K	12	29	M 4	12	105	Steel	with keyway	4.5	180	180
R3200.140-BL-K	14	34	M 5	14	200	Steel	with keyway	9.5	270	270
R3200.150-BL-K	15	34	M 5	15	200	Steel	with keyway	9.5	260	260
R3200.160-BL-K	16	34	M 5	16	200	Steel	with keyway	9.5	260	260
R3200.200-BL-K	20	42	M 6	20	350	Steel	with keyway	16.5	510	510
R3200.250-BL-K	25	45	M 6	25	400	Steel	with keyway	16.5	620	620
R3200.300-BL-K	30	53	M 6	30	475	Steel	with keyway	16.5	920	920
R3200.350-BL-K	35	67	M 8	35	1100	Steel	with keyway	39.0	1880	1880
R3200.400-BL-K	40	77	M 8	40	1325	Steel	with keyway	39.0	2710	2710
R3200.500-BL-K	50	85	M10	50	2250	Steel	with keyway	78.0	3520	3520
R3200.060-A2	6	18	M 3	6	23	Stainless	standard	1.0	40	40
R3200.080-A2	8	24	M 3	8	23	Stainless	standard	1.0	100	100
R3200.100-A2	10	29	M 4	10	32	Stainless	standard	2.5	180	180
R3200.120-A2	12	29	M 4	12	32	Stainless	standard	2.5	180	180
R3200.140-A2	14	34	M 5	14	60	Stainless	standard	5.0	270	270
R3200.150-A2	15	34	M 5	15	60	Stainless	standard	5.0	260	260
R3200.160-A2	16	34	M 5	16	60	Stainless	standard	5.0	260	260



Rigid Shaft Couplings - One Piece

steel & stainless, long

Rigid Couplings

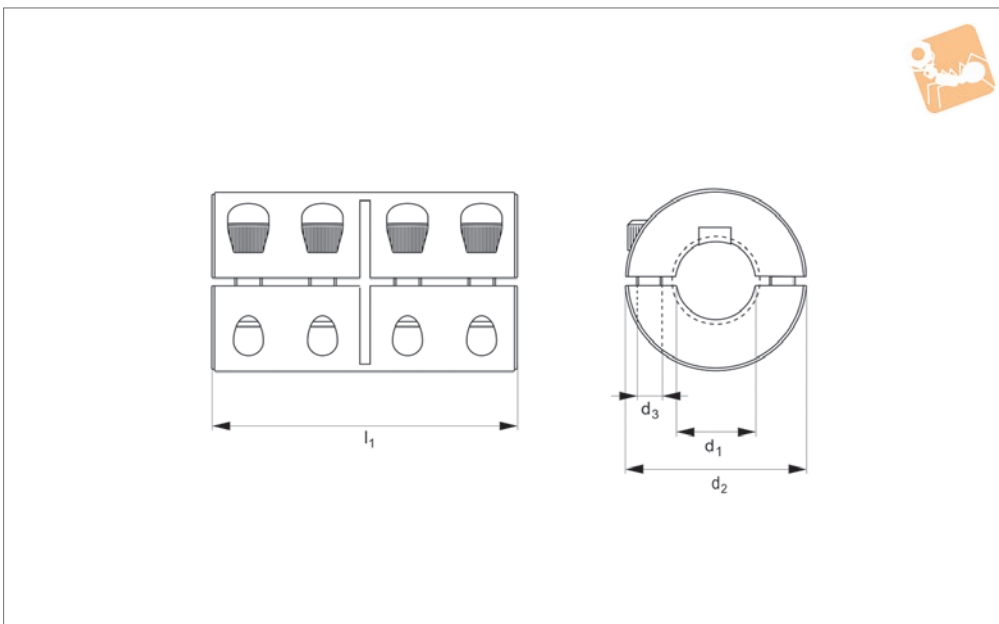


Order No.	d ₁ tol. H7/H8	d ₂	d ₃	l ₁	Static torque Nm	Material	Type	Torque screw to Nm	Weight g	Weight g
R3200.200-A2	20	42	M 6	20	110	Stainless	standard	8.5	510	510
R3200.250-A2	25	45	M 6	25	120	Stainless	standard	8.5	620	620
R3200.300-A2	30	53	M 6	30	150	Stainless	standard	8.5	920	920
R3200.350-A2	35	67	M 8	35	330	Stainless	standard	20.5	1880	1880
R3200.400-A2	40	77	M 8	40	400	Stainless	standard	20.5	2710	2710
R3200.500-A2	50	85	M10	50	675	Stainless	standard	41.5	3520	3520
R3200.080-A2-K	8	24	M 3	8	23	Stainless	with keyway	1.0	100	100
R3200.100-A2-K	10	29	M 4	10	23	Stainless	with keyway	2.5	180	180
R3200.120-A2-K	12	29	M 4	12	32	Stainless	with keyway	2.5	180	180
R3200.140-A2-K	14	34	M 5	14	60	Stainless	with keyway	5.0	270	270
R3200.150-A2-K	15	34	M 5	15	60	Stainless	with keyway	5.0	260	260
R3200.160-A2-K	16	34	M 5	16	60	Stainless	with keyway	5.0	260	260
R3200.200-A2-K	20	42	M 6	20	110	Stainless	with keyway	8.5	510	510
R3200.250-A2-K	25	45	M 6	25	120	Stainless	with keyway	8.5	620	620
R3200.300-A2-K	30	53	M 6	30	150	Stainless	with keyway	8.5	920	920
R3200.350-A2-K	35	67	M 8	35	330	Stainless	with keyway	20.5	1880	1880
R3200.400-A2-K	40	77	M 8	40	400	Stainless	with keyway	20.5	2710	2710
R3200.500-A2-K	50	85	M10	50	675	Stainless	with keyway	41.5	3520	3520

RIGID COUPLINGS



R3205



Material

Steel (AISI 12L14), black oxide finish, or stainless steel (A2, AISI 303).

High axial load and torque capacity.
Part shown above with keyway.

See keyway technical pages.

Technical Notes

To fit h_7 or h_8 tolerance shafts.

Important Notes

Different bore sizes available on request.
Keyways are standard to DIN 6885.

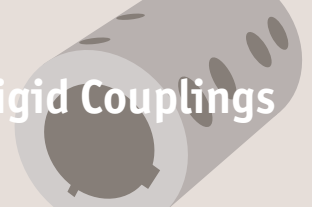
Order No.	d_1 tol. H7/H8	d_2 tol. H7/H8	d_3	l_1	Static torque Nm	Material	Type	Torque screw to Nm	Weight g	Weight g
R3205.060-BL	6	18	M 3	30	34	Steel	standard	2.0	40	40
R3205.080-BL	8	24	M 3	35	50	Steel	standard	2.0	80	80
R3205.100-BL	10	29	M 4	45	105	Steel	standard	4.5	190	190
R3205.120-BL	12	29	M 4	45	105	Steel	standard	4.5	180	180
R3205.140-BL	14	34	M 5	50	200	Steel	standard	9.5	250	250
R3205.150-BL	15	34	M 5	50	200	Steel	standard	9.5	240	240
R3205.160-BL	16	34	M 5	50	200	Steel	standard	9.5	230	230
R3205.200-BL	20	42	M 6	65	350	Steel	standard	16.5	500	500
R3205.250-BL	25	45	M 6	75	400	Steel	standard	16.5	620	620
R3205.300-BL	30	53	M 6	83	475	Steel	standard	16.5	1000	1000
R3205.350-BL	35	67	M 8	95	1100	Steel	standard	39.0	1100	1100
R3205.400-BL	40	77	M 8	108	1325	Steel	standard	39.0	2500	2500
R3205.500-BL	50	85	M10	124	2250	Steel	standard	78.0	3100	3100
R3205.080-BL-K	8	24	M 3	35	50	Steel	with keyway	2.0	80	80
R3205.100-BL-K	10	29	M 4	45	105	Steel	with keyway	4.5	190	190
R3205.120-BL-K	12	29	M 4	45	105	Steel	with keyway	4.5	180	180
R3205.140-BL-K	14	34	M 5	50	200	Steel	with keyway	9.5	240	240
R3205.150-BL-K	15	34	M 5	50	200	Steel	with keyway	9.5	240	240
R3205.160-BL-K	16	34	M 5	50	200	Steel	with keyway	9.5	230	230
R3205.200-BL-K	20	42	M 6	65	350	Steel	with keyway	16.5	500	500
R3205.250-BL-K	25	45	M 6	75	400	Steel	with keyway	16.5	620	620
R3205.300-BL-K	30	53	M 6	83	475	Steel	with keyway	16.5	1000	1000
R3205.350-BL-K	35	67	M 8	95	1100	Steel	with keyway	39.0	1100	1100
R3205.400-BL-K	40	77	M 8	108	1325	Steel	with keyway	39.0	2500	2500
R3205.500-BL-K	50	85	M10	124	2250	Steel	with keyway	78.0	3100	3100
R3205.060-A2	6	18	M 3	30	10	Stainless	standard	1.0	40	40
R3205.080-A2	8	24	M 3	35	16	Stainless	standard	1.0	80	80
R3205.100-A2	10	29	M 4	45	32	Stainless	standard	2.5	190	190
R3205.120-A2	12	29	M 4	45	32	Stainless	standard	2.5	180	180
R3205.140-A2	14	34	M 5	50	60	Stainless	standard	5.0	250	250
R3205.150-A2	15	34	M 5	50	60	Stainless	standard	5.0	240	240
R3205.160-A2	16	34	M 5	50	60	Stainless	standard	5.0	230	230



Rigid Shaft Couplings - Two Piece

steel & stainless, clamping, long

Rigid Couplings

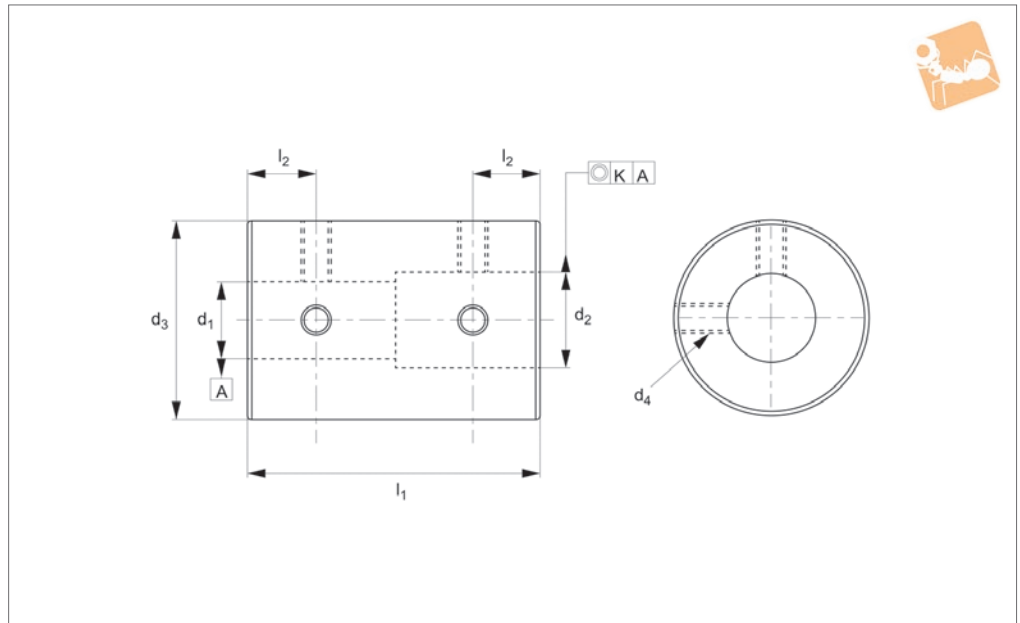


Order No.	d ₁ tol. H7/H8	d ₂ tol. H7/H8	d ₃	l ₁	Static torque Nm	Material	Type	Torque screw to Nm	Weight g	Weight g
R3205.200-A2	20	42	M 6	65	110	Stainless	standard	8.5	500	500
R3205.250-A2	25	45	M 6	75	120	Stainless	standard	8.5	620	620
R3205.300-A2	30	53	M 6	83	150	Stainless	standard	8.5	1000	1000
R3205.350-A2	35	67	M 8	95	330	Stainless	standard	20.5	1100	1100
R3205.400-A2	40	77	M 8	108	400	Stainless	standard	20.5	2500	2500
R3205.500-A2	50	85	M10	124	675	Stainless	standard	41.5	3100	3100
R3205.080-A2-K	8	24	M 3	35	16	Stainless	with keyway	1.0	80	80
R3205.100-A2-K	10	29	M 4	45	32	Stainless	with keyway	2.5	190	190
R3205.120-A2-K	12	29	M 4	45	32	Stainless	with keyway	2.5	180	180
R3205.140-A2-K	14	34	M 5	50	60	Stainless	with keyway	5.0	240	240
R3205.150-A2-K	15	34	M 5	50	60	Stainless	with keyway	5.0	240	240
R3205.160-A2-K	16	34	M 5	50	60	Stainless	with keyway	5.0	230	230
R3205.200-A2-K	20	42	M 6	65	110	Stainless	with keyway	8.5	500	500
R3205.250-A2-K	25	45	M 6	75	120	Stainless	with keyway	8.5	620	620
R3205.300-A2-K	30	53	M 6	83	150	Stainless	with keyway	8.5	1000	1000
R3205.350-A2-K	35	67	M 8	95	330	Stainless	with keyway	20.5	1100	1100
R3205.400-A2-K	40	77	M 8	108	400	Stainless	with keyway	20.5	2500	2500
R3205.500-A2-K	50	85	M10	124	675	Stainless	with keyway	41.5	3100	3100

RIGID COUPLINGS



R3208



Material

Aluminium alloy, anodised.

Technical Notes

Maintenance free, excellent anti-oil and corrosion-resistance.

Reciprocating torque is quarter static

torque.

Rotational torque is half static torque.

Important Notes

Concentricity; $K=0,03$ when $\varnothing d_1, \varnothing d_2$ are 3 and 4, otherwise $K=0,05$

For sizes where $d_1 < 4$ and $d_2 > 5$, there are 3

set screws.

For sizes where d_1 and d_2 both smaller than 4, there are 2 set screws.

Different bore sizes available on request.

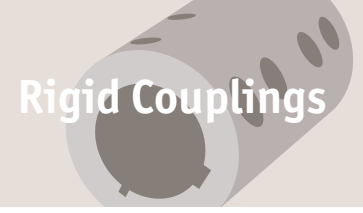
For keyways, please add „KW“ suffix when ordering.

Order No.	d_1 tol. H7/H8	d_2 tol. H7/H8	d_3	d_4	l_1	l_2	Static torque Nm	rpm max.	Moment of inertia kg·m ²	Torque screw to Nm	Weight g	Weight g
R3208.16-030-030	3	3	16	M 3	24	6.0	0.6	2400 0	$4,4 \times 10^{-7}$	0.7	11	11
R3208.16-030-040	3	4	16	M 3	24	6.0	0.6	2400 0	$4,4 \times 10^{-7}$	0.7	11	11
R3208.16-030-050	3	5	16	M 3	24	6.0	0.6	2400 0	$4,4 \times 10^{-7}$	0.7	11	11
R3208.16-030-060	3	6	16	M 3	24	6.0	0.6	2400 0	$4,4 \times 10^{-7}$	0.7	11	11
R3208.16-040-040	4	4	16	M 3	24	6.0	0.6	2400 0	$4,4 \times 10^{-7}$	0.7	11	11
R3208.16-040-050	4	5	16	M 3	24	6.0	0.6	2400 0	$4,4 \times 10^{-7}$	0.7	11	11
R3208.16-040-060	4	6	16	M 3	24	6.0	0.6	2400 0	$4,4 \times 10^{-7}$	0.7	11	11
R3208.16-050-050	5	5	16	M 3	24	6.0	0.6	2400 0	$4,4 \times 10^{-7}$	0.7	11	11
R3208.16-050-060	5	6	16	M 3	24	6.0	0.6	2400 0	$4,4 \times 10^{-7}$	0.7	11	11
R3208.16-060-060	6	6	16	M 3	24	6.0	0.6	2400 0	$4,4 \times 10^{-7}$	0.7	11	11
R3208.20-050-050	5	5	20	M 3	30	7.0	1	1900 0	$1,3 \times 10^{-6}$	0.7	20	20
R3208.20-050-060	5	6	20	M 3	30	7.0	1	1900 0	$1,3 \times 10^{-6}$	0.7	20	20
R3208.20-050-080	5	8	20	M 3	30	7.0	1	1900 0	$1,3 \times 10^{-6}$	0.7	20	20
R3208.20-050-100	5	10	20	M 3	30	7.0	1	1900 0	$1,3 \times 10^{-6}$	0.7	20	20
R3208.20-060-060	6	6	20	M 3	30	7.0	1	1900 0	$1,3 \times 10^{-6}$	0.7	20	20



Rigid Shaft Coupling - One Piece

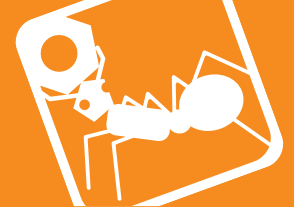
Aluminium, set screw



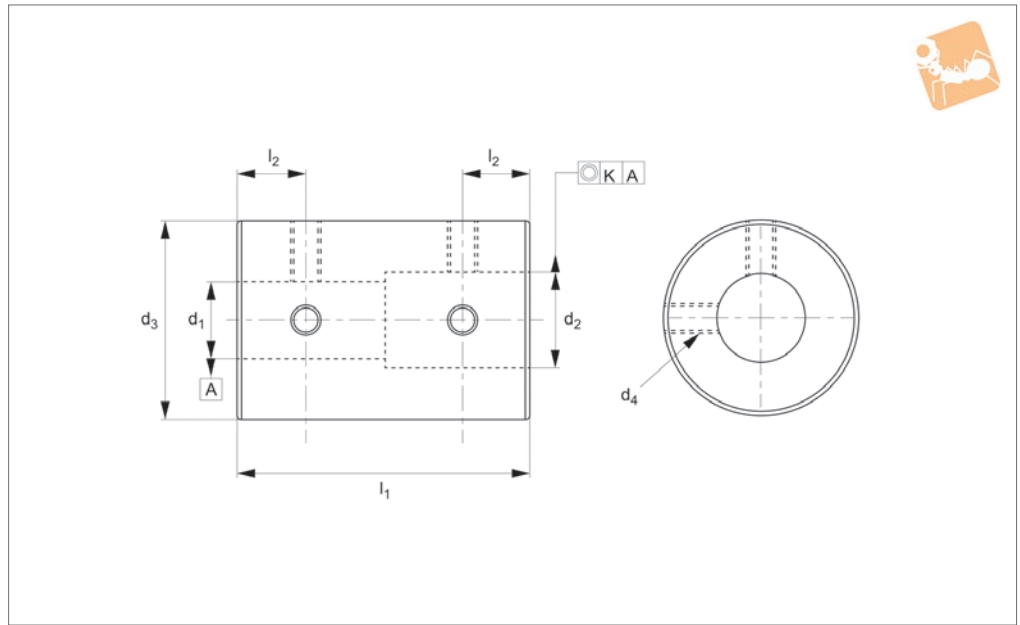
Rigid Couplings

Order No.	d ₁ tol. H7/H8	d ₂ tol. H7/H8	d ₃	d ₄	l ₁	l ₂	Static torque Nm	rpm max.	Moment of inertia kg·m ²	Torque screw to Nm	Weight g	Weight g
R3208.20-060-080	6	8	20	M 3	30	7.0	1	1900 0	1,3x10 ⁻⁶	0.7	20	20
R3208.20-060-100	6	10	20	M 3	30	7.0	1	1900 0	1,3x10 ⁻⁶	0.7	20	20
R3208.20-080-080	8	8	20	M 3	30	7.0	1	1900 0	1,3x10 ⁻⁶	0.7	20	20
R3208.20-080-100	8	10	20	M 3	30	7.0	1	1900 0	1,3x10 ⁻⁶	0.7	20	20
R3208.20-100-100	10	10	20	M 3	30	7.0	1	1900 0	1,3x10 ⁻⁶	0.7	20	20
R3208.25-080-080	8	8	25	M 4	36	9.0	2	1500 0	3,9x10 ⁻⁶	1.7	39	39
R3208.25-080-100	8	10	25	M 4	36	9.0	2	1500 0	3,9x10 ⁻⁶	1.7	39	39
R3208.25-080-110	8	11	25	M 4	36	9.0	2	1500 0	3,9x10 ⁻⁶	1.7	39	39
R3208.25-080-120	8	12	25	M 4	36	9.0	2	1500 0	3,9x10 ⁻⁶	1.7	39	39
R3208.25-100-100	10	10	25	M 4	36	9.0	2	1500 0	3,9x10 ⁻⁶	1.7	39	39
R3208.25-100-110	10	11	25	M 4	36	9.0	2	1500 0	3,9x10 ⁻⁶	1.7	39	39
R3208.25-100-120	10	12	25	M 4	36	9.0	2	1500 0	3,9x10 ⁻⁶	1.7	39	39
R3208.25-110-110	11	11	25	M 4	36	9.0	2	1500 0	3,9x10 ⁻⁶	1.7	39	39
R3208.25-110-120	11	12	25	M 4	36	9.0	2	1500 0	3,9x10 ⁻⁶	1.7	39	39
R3208.25-120-120	12	12	25	M 4	36	9.0	2	1500 0	3,9x10 ⁻⁶	1.7	39	39
R3208.32-120-120	12	12	32	M 4	41	10.0	4	1200 0	1,2x10 ⁻⁵	1.7	71	71
R3208.32-120-140	12	14	32	M 4	41	10.0	4	1200 0	1,2x10 ⁻⁵	1.7	71	71
R3208.32-120-150	12	15	32	M 4	41	10.0	4	1200 0	1,2x10 ⁻⁵	1.7	71	71
R3208.32-120-160	12	16	32	M 4	41	10.0	4	1200	1,2x10 ⁻⁵	1.7	71	71
R3208.32-140-140	14	14	32	M 4	41	10.0	4	1200 0	1,2x10 ⁻⁵	1.7	71	71
R3208.32-140-150	14	15	32	M 4	41	10.0	4	1200 0	1,2x10 ⁻⁵	1.7	71	71
R3208.32-140-160	14	16	32	M 4	41	10.0	4	1200 0	1,2x10 ⁻⁵	1.7	71	71
R3208.32-150-150	15	15	32	M 4	41	10.0	4	1200 0	1,2x10 ⁻⁵	1.7	71	71
R3208.32-150-160	15	16	32	M 4	41	10.0	4	1200 0	1,2x10 ⁻⁵	1.7	71	71
R3208.32-160-160	16	16	32	M 4	41	10.0	4	1200 0	1,2x10 ⁻⁵	1.7	71	71
R3208.40-150-150	15	15	40	M 5	44	10.5	8	4000	1,5x10 ⁻⁵	4.0	120	120
R3208.40-150-160	15	16	40	M 5	44	10.5	8	4000	1,5x10 ⁻⁵	4.0	120	120
R3208.40-150-180	15	18	40	M 5	44	10.5	8	4000	1,5x10 ⁻⁵	4.0	120	120
R3208.40-150-200	15	20	40	M 5	44	10.5	8	4000	1,5x10 ⁻⁵	4.0	120	120
R3208.40-160-160	16	16	40	M 5	44	10.5	8	4000	1,5x10 ⁻⁵	4.0	120	120
R3208.40-160-180	16	18	40	M 5	44	10.5	8	4000	1,5x10 ⁻⁵	4.0	120	120
R3208.40-160-200	16	20	40	M 5	44	10.5	8	4000	1,5x10 ⁻⁵	4.0	120	120
R3208.40-180-180	18	18	40	M 5	44	10.5	8	4000	1,5x10 ⁻⁵	4.0	120	120
R3208.40-180-200	18	20	40	M 5	44	10.5	8	4000	1,5x10 ⁻⁵	4.0	120	120
R3208.40-200-200	20	20	40	M 5	44	10.5	8	4000	1,5x10 ⁻⁵	4.0	120	120

RIGID COUPLINGS



R3209



Material
Stainless steel (A2).

Technical Notes
Maintenance free, excellent anti-oil and corrosion-resistance.
Reciprocating torque is quarter static

torque.
Rotational torque is half static torque.

Important Notes
Concentricity; $K=0,03$ when $\varnothing d_1, \varnothing d_2$ are 3 and 4, otherwise $K=0,05$
For sizes where $d_1 < 4$ and $d_2 > 5$, there are 3

set screws.
For sizes where d_1 and d_2 both smaller than 4, there are 2 set screws.
Different bore sizes available on request.
For keyways, please add „-KW“ suffix when ordering.

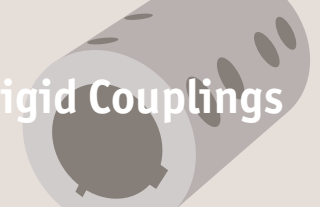
Order No.	d_1 tol. H7/H8	d_2 tol. H7/H8	d_3	d_4	l_1	l_2	Static torque Nm	rpm max.	Moment of inertia kg·m ²	Torque screw to Nm	Weight g	Weight g
R3209.16-030-030	3	3	16	M 3	24	6	0.6	2400 0	$1,2 \times 10^{-6}$	0.7	28	28
R3209.16-030-040	3	4	16	M 3	24	6	0.6	2400 0	$1,2 \times 10^{-6}$	0.7	28	28
R3209.16-030-050	3	5	16	M 3	24	6	0.6	2400 0	$1,2 \times 10^{-6}$	0.7	28	28
R3209.16-030-060	3	6	16	M 3	24	6	0.6	2400 0	$1,2 \times 10^{-6}$	0.7	28	28
R3209.16-040-040	4	4	16	M 3	24	6	0.6	2400 0	$1,2 \times 10^{-6}$	0.7	28	28
R3209.16-040-050	4	5	16	M 3	24	6	0.6	2400 0	$1,2 \times 10^{-6}$	0.7	28	28
R3209.16-040-060	4	6	16	M 3	24	6	0.6	2400 0	$1,2 \times 10^{-6}$	0.7	28	28
R3209.16-050-050	5	5	16	M 3	24	6	0.6	2400 0	$1,2 \times 10^{-6}$	0.7	28	28
R3209.16-050-060	5	6	16	M 3	24	6	0.6	2400 0	$1,2 \times 10^{-6}$	0.7	28	28
R3209.16-060-060	6	6	16	M 3	24	6	0.6	2400 0	$1,2 \times 10^{-6}$	0.7	28	28
R3209.20-050-050	5	5	20	M 3	30	7	1	1900 0	$3,5 \times 10^{-6}$	0.7	54	54
R3209.20-050-060	5	6	20	M 3	30	7	1	1900 0	$3,5 \times 10^{-6}$	0.7	54	54
R3209.20-050-080	5	8	20	M 3	30	7	1	1900 0	$3,5 \times 10^{-6}$	0.7	54	54
R3209.20-050-100	5	10	20	M 3	30	7	1	1900 0	$3,5 \times 10^{-6}$	0.7	54	54
R3209.20-060-060	6	6	20	M 3	30	7	1	1900 0	$3,5 \times 10^{-6}$	0.7	54	54



Rigid Shaft Coupling - One Piece

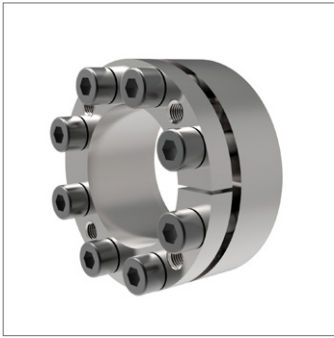
Stainless, set screw

Rigid Couplings

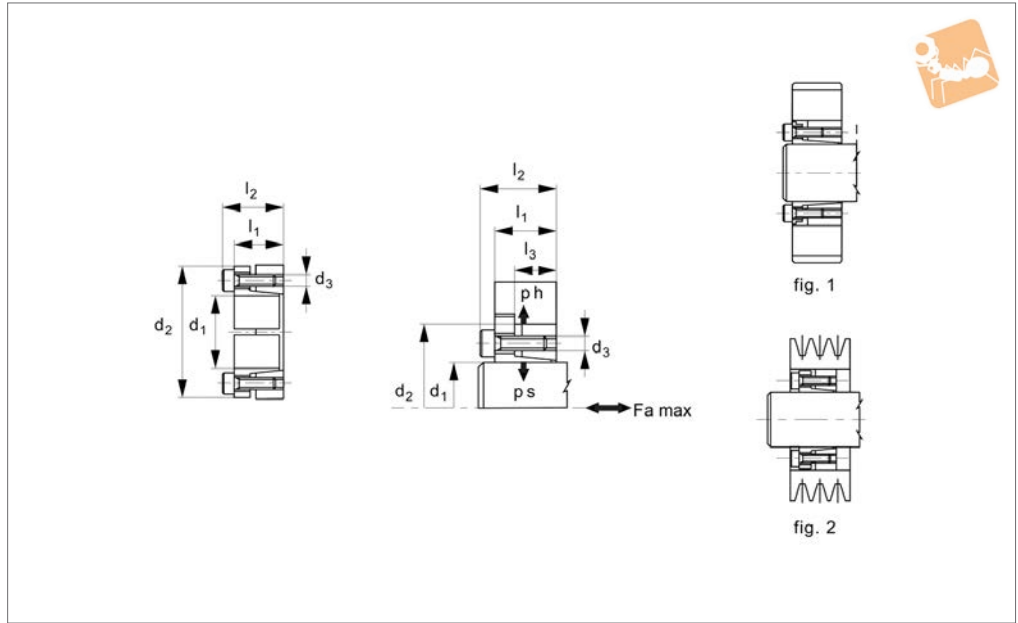


Order No.	d ₁ tol. H7/H8	d ₂ tol. H7/H8	d ₃	d ₄	l ₁	l ₂	Static torque Nm	rpm max.	Moment of inertia kg·m ²	Torque screw to Nm	Weight g	Weight g
R3209.20-060-080	6	8	20	M 3	30	7	1	1900 0	3,5x10 ⁻⁶	0.7	54	54
R3209.20-060-100	6	10	20	M 3	30	7	1	1900 0	3,5x10 ⁻⁶	0.7	54	54
R3209.20-080-080	8	8	20	M 3	30	7	1	1900 0	3,5x10 ⁻⁶	0.7	54	54
R3209.20-080-100	8	10	20	M 3	30	7	1	1900 0	3,5x10 ⁻⁶	0.7	54	54
R3209.20-100-100	10	10	20	M 3	30	7	1	1900 0	3,5x10 ⁻⁶	0.7	54	54
R3209.25-080-080	8	8	25	M 4	36	9	2	1500 0	1,0x10 ⁻⁵	1.7	100	100
R3209.25-080-100	8	10	25	M 4	36	9	2	1500 0	1,0x10 ⁻⁵	1.7	100	100
R3209.25-080-110	8	11	25	M 4	36	9	2	1500 0	1,0x10 ⁻⁵	1.7	100	100
R3209.25-080-120	8	12	25	M 4	36	9	2	1500 0	1,0x10 ⁻⁵	1.7	100	100
R3209.25-100-100	10	10	25	M 4	36	9	2	1500 0	1,0x10 ⁻⁵	1.7	100	100
R3209.25-100-110	10	11	25	M 4	36	9	2	1500 0	1,0x10 ⁻⁵	1.7	100	100
R3209.25-100-120	10	12	25	M 4	36	9	2	1500 0	1,0x10 ⁻⁵	1.7	100	100
R3209.25-110-110	11	11	25	M 4	36	9	2	1500 0	1,0x10 ⁻⁵	1.7	100	100
R3209.25-110-120	11	12	25	M 4	36	9	2	1500 0	1,0x10 ⁻⁵	1.7	100	100
R3209.25-120-120	12	12	25	M 4	36	9	2	1500 0	1,0x10 ⁻⁵	1.7	100	100
R3209.32-120-120	12	12	32	M 4	41	10	4	1200 0	3,1x10 ⁻⁵	1.7	190	190
R3209.32-120-140	12	14	32	M 4	41	10	4	1200 0	3,1x10 ⁻⁵	1.7	190	190
R3209.32-120-150	12	15	32	M 4	41	10	4	1200 0	3,1x10 ⁻⁵	1.7	190	190
R3209.32-120-160	12	16	32	M 4	41	10	4	1200 0	3,1x10 ⁻⁵	1.7	190	190
R3209.32-140-140	14	14	32	M 4	41	10	4	1200 0	3,1x10 ⁻⁵	1.7	190	190
R3209.32-140-150	14	15	32	M 4	41	10	4	1200 0	3,1x10 ⁻⁵	1.7	190	190
R3209.32-140-160	14	16	32	M 4	41	10	4	1200 0	3,1x10 ⁻⁵	1.7	190	190
R3209.32-150-150	15	15	32	M 4	41	10	4	1200 0	3,1x10 ⁻⁵	1.7	190	190
R3209.32-150-160	15	16	32	M 4	41	10	4	1200 0	3,1x10 ⁻⁵	1.7	190	190
R3209.32-160-160	16	16	32	M 4	41	10	4	1200 0	3,1x10 ⁻⁵	1.7	190	190

RIGID COUPLINGS



R3230



Material
Steel.

Technical Notes
Economical, quick installation, compact size.

Tolerances: Inner diameter h8, outer diameter H8.
Surface Roughness: Rt max. 16µm, Ra 3µm

Tips
Do not use any oil with molybdenum bisulfide, high pressure additives, or grease as these reduce the coefficient of

friction.
Max Torque (Mt) and Axial Thrust (Fa) values are only valid if standard oils are used.

Important Notes
Assembly:
Carefully clean the hub and shaft contact surfaces and apply a film of lightweight oil. Slide the locking assembly into the hub bore, insert the shaft and tighten gradually in cross sequence to indicated torque.

When tightening the mounting screws the hub has slight axial movement with respect to the shaft.
Dismantling:
Gradually loosen the cap screws. Remove and re-insert the correct number of screws into the jacking holes and tighten gradually and regularly in crossed sequence until the back cone is released.
If the element is to be re-used then re-lubricate screws and threads.

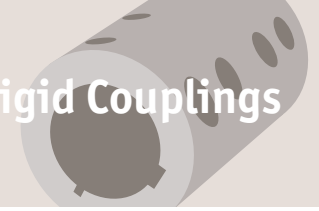
Order No.	d ₁ tol. h8	l ₁	d ₂ tol. H8	l ₂	No. of screws	d ₃	Torque to Nm	M _t torque Nm max.	F _a kN max.	P _h N/mm ² max.	P _s N/mm ² max.	Weight kg
R3230.019	19	28	47	34	5	M 6x20	14	355	31	120	280	0.250
R3230.020	20	28	47	34	5	M 6x20	14	360	33	120	280	0.250
R3230.022	22	28	47	34	5	M 6x20	14	400	33	123	268	0.250
R3230.024	24	28	50	34	6	M 6x20	14	440	36	120	243	0.276
R3230.025	25	28	50	34	6	M 6x20	14	560	36	138	280	0.268
R3230.028	28	28	55	34	6	M 6x20	14	625	36	128	250	0.322
R3230.030	30	28	55	34	6	M 6x20	14	650	36	128	235	0.304
R3230.032	32	28	60	34	8	M 6x20	14	950	50	150	290	0.370
R3230.035	35	28	60	34	8	M 6x20	14	1050	50	150	268	0.344
R3230.038	38	28	65	34	8	M 6x20	14	1140	50	146	252	0.408
R3230.040	40	28	65	34	8	M 6x20	14	1200	50	146	232	0.378
R3230.042	42	33	75	41	7	M 8x25	35	2034	70	168	305	0.630
R3230.045	45	33	75	41	7	M 8x25	35	2180	70	168	285	0.610
R3230.048	48	33	80	41	8	M 8x25	35	1800	75	140	330	0.680
R3230.050	50	33	80	41	7	M 8x25	35	2430	85	158	258	0.690
R3230.055	55	33	85	41	8	M 8x25	35	3050	85	173	268	0.720
R3230.060	60	33	90	41	8	M 8x25	35	3350	85	163	243	0.794
R3230.065	65	33	95	41	9	M 8x25	35	4080	85	173	253	0.842
R3230.070	70	40	110	50	8	M10x30	70	6280	119	178	278	1.534
R3230.075	75	40	115	50	8	M10x30	70	6680	119	168	258	1.634
R3230.080	80	40	120	50	8	M10x30	70	7130	119	168	248	1.722
R3230.085	85	40	125	50	9	M10x30	70	8750	132	178	258	1.834
R3230.090	90	40	130	50	9	M10x30	70	9080	132	168	248	1.900



Keyless Locking Devices

self centring, high torque

Rigid Couplings

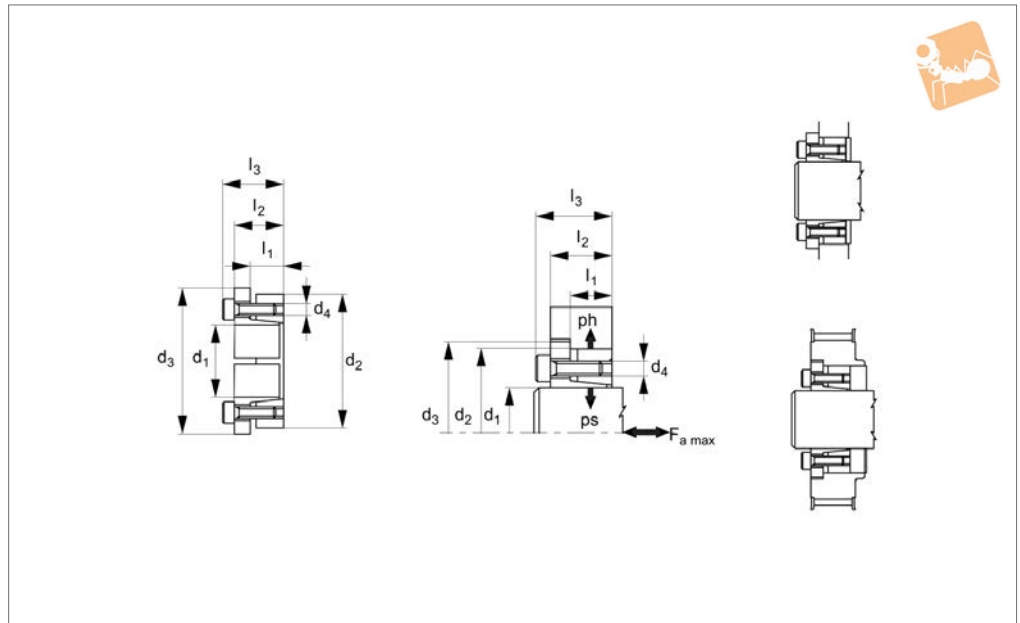


Order No.	d ₁ tol. h8	l ₁	d ₂ tol. H8	l ₂	No. of screws	d ₃	Torque to Nm	M _t torque Nm max.	F _a kN max.	P _h N/mm ² max.	P _s N/mm ² max.	Weight kg
R3230.095	95	40	135	50	10	M10x30	70	10580	132	178	258	1.980
R3230.100	100	44	145	56	8	M12x35	125	13380	170	188	268	2.618
R3230.110	110	44	155	56	8	M12x35	125	14580	170	178	238	2.788
R3230.120	120	44	165	56	9	M12x35	125	17880	200	178	248	3.600
R3230.130	130	52	180	64	12	M14x40	190	25950	270	168	238	4.410
R3230.140	140	54	190	68	9	M14x40	190	26950	270	148	208	4.920
R3230.150	150	54	200	68	10	M14x40	190	32950	320	168	228	5.200
R3230.160	160	54	210	68	11	M14x41	190	37950	470	168	230	5.601
R3230.170	170	64	255	78	12	M14x42	190	44950	528	130	180	7.701
R3230.180	180	64	235	78	12	M14x43	190	46950	528	130	170	8.501
R3230.190	190	64	250	78	15	M14x40	190	50100	520	130	170	9.501
R3230.200	200	64	260	78	15	M14x40	190	52700	530	130	160	9.601

RIGID COUPLINGS



R3231



Material

Steel.

Technical Notes

Wide tolerance, quick installation, compact size.

Tolerances: Inner diameter H8, outer diameter h8.

Surface Roughness: Rt max. 16µm, Ra 3µm

Tips

Do not use any oil with molybdenum bisulfide, high pressure additives, or grease as these reduce the coefficient of

friction.

Max Torque (Mt) and Axial Thrust (Fa) values are only valid if standard oils are used.

Important Notes

Assembly:

Carefully clean the hub and shaft contact surfaces and apply a film of lightweight oil. Slide the locking assembly into the hub bore, insert the shaft and tighten gradually in cross sequence to indicated torque.

When tightening the mounting screws the hub has slight axial movement with respect to the shaft.

Dismantling:

Gradually loosen the cap screws. Remove and re-insert the correct number of screws into the jacking holes and tighten gradually and regularly in crossed sequence until the back cone is released.

If the element is to be re-used then re-lubricate screws and threads.

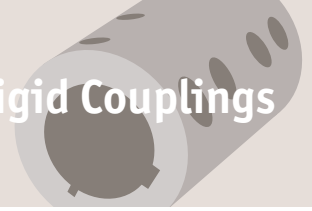
Order No.	d ₁ tol. H8	l ₁	d ₂ tol. h8	l ₂	No. of screws	d ₃	d ₄	Torque to Nm	l ₃	M _t torque Nm max.	F _a kN max.	P _h N/mm ² max.	P _s N/mm ² max.	Weight kg
R3231.019	19	31	47	39	4	53	M 6x20	17	45	294	20	96	228	0.422
R3231.020	20	31	47	39	4	53	M 6x20	17	45	313	23	96	226	0.416
R3231.022	22	31	47	39	4	53	M 6x20	17	45	362	23	97	206	0.398
R3231.024	24	31	50	39	6	56	M 6x20	17	45	421	35	100	206	0.442
R3231.025	25	31	50	39	6	56	M 6x20	17	45	470	35	110	221	0.434
R3231.028	28	31	55	39	6	61	M 6x20	17	45	578	35	105	202	0.516
R3231.030	30	31	55	39	6	61	M 6x20	17	45	637	35	118	221	0.492
R3231.032	32	31	60	39	8	66	M 6x20	17	45	784	47	114	197	0.560
R3231.035	35	31	60	39	8	66	M 6x20	17	45	843	47	118	202	0.548
R3231.038	38	31	65	39	8	71	M 6x20	17	45	1010	47	121	197	0.640
R3231.040	40	31	65	39	8	71	M 6x20	17	45	1108	47	143	234	0.608
R3231.042	42	36	75	47	6	81	M 8x30	41	55	1892	47	135	216	1.090
R3231.045	45	36	75	47	6	81	M 8x30	41	55	1912	64	135	216	1.004
R3231.048	48	36	80	47	6	86	M 8x30	41	55	2137	74	142	221	1.116
R3231.050	50	36	80	47	6	86	M 8x30	41	55	2167	86	143	221	1.074
R3231.055	55	36	85	47	8	91	M 8x30	41	55	2677	86	143	221	1.204
R3231.060	60	36	90	47	8	96	M 8x30	41	55	2853	86	131	197	1.292
R3231.065	65	36	95	47	8	101	M 8x30	41	55	3500	86	142	206	1.320
R3231.070	70	46	110	57	8	116	M10x35	83	67	5717	135	142	221	2.440
R3231.075	75	46	115	62	8	121	M10x35	83	72	6207	135	148	216	2.602
R3231.080	80	46	120	62	8	126	M10x35	83	72	6707	135	139	198	2.730
R3231.085	85	46	125	62	10	131	M10x35	83	72	8002	169	157	216	2.844
R3231.090	90	46	130	62	10	136	M10x35	83	72	8502	169	143	197	2.986



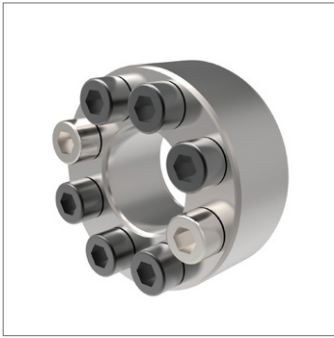
Keyless Locking Devices

self centring, high torque

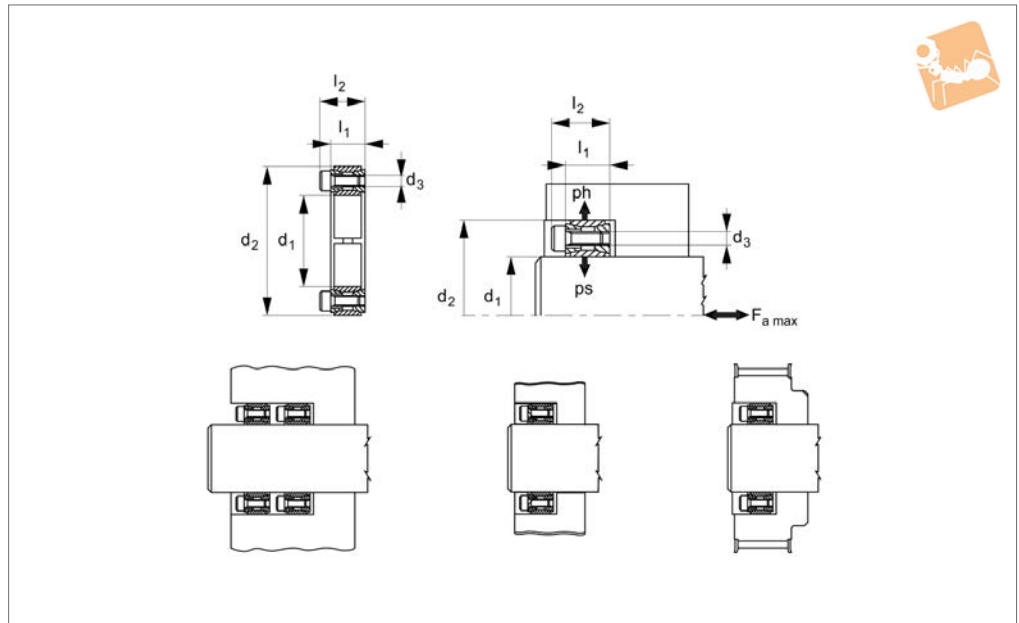
Rigid Couplings



Order No.	d ₁ tol. H8	l ₁	d ₂ tol. h8	l ₂	No. of screws	d ₃	d ₄	Torque to Nm	l ₃	M _t torque Nm max.	F _a kN max.	P _h N/mm ² max.	P _s N/mm ² max.	Weight kg
R3231.095	95	46	135	62	10	141	M10x35	83	72	10002	169	138	187	3.144
R3231.100	100	52	145	77	8	151	M12x45	145	89	13336	198	148	197	4.136
R3231.110	110	52	155	77	8	161	M12x45	145	89	14582	198	178	197	4.552
R3231.120	120	52	165	77	10	171	M12x45	145	89	19083	248	158	216	4.844



R3232



Material
Steel.

Technical Notes

Economical, quick installation, compact size.

Tolerances: Inner diameter k11, h11, outer diameter N11, H11.

Surface Roughness: Rt max. 16µm, Ra 3µm

Tips

Do not use any oil with molybdenum bisulphide, high pressure additives, or grease as these reduce the coefficient of

friction.

Max Torque (Mt) and Axial Thrust (Fa) values are only valid if standard oils are used.

Important Notes

Assembly:

Carefully clean the hub and shaft contact surfaces and apply a film of lightweight oil. Slide the locking assembly into the hub bore, insert the shaft.

Tighten the plated clamping screws until the inner ring grips the shaft and the outer

ring grips the hub bore.

Then tighten gradually and regularly in cross sequence to indicated torque.

When tightening the mounting screws the hub has NO axial movement with respect to the shaft.

Dismantling:

Loosening the cap screws normally releases the unit.

In case of difficulties slightly hammer the released screws to push back the rear pressure cone.

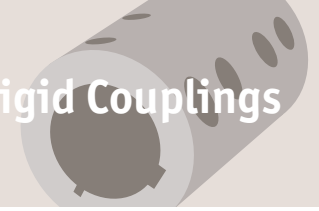
Order No.	d ₁ tol. K11, h11	l ₁	d ₂ tol. N11, H11	l ₂	No. of screws	d ₃	Torque to Nm	M _t torque Nm max.	F _a kN max.	P _h N/mm ² max.	P _s N/mm ² max.	Weight kg
R3232.019	19	20	47	26	8	M 6x18	16	260	27	93	220	0.212
R3232.020	20	20	47	26	8	M 6x18	16	268	27	93	210	0.210
R3232.022	22	20	47	26	8	M 6x18	16	283	27	96	207	0.200
R3232.024	24	20	50	26	9	M 6x18	16	361	30	103	206	0.222
R3232.025	25	20	50	26	9	M 6x18	16	376	30	103	206	0.220
R3232.028	28	20	55	26	10	M 6x18	16	420	34	103	204	0.266
R3232.030	30	20	55	26	10	M 6x18	16	450	34	103	190	0.254
R3232.032	32	20	60	26	12	M 6x18	16	643	40	114	214	0.302
R3232.035	35	20	60	26	12	M 6x18	16	703	40	114	196	0.282
R3232.038	38	20	65	26	14	M 6x18	16	891	47	122	204	0.328
R3232.040	40	20	65	26	14	M 6x18	16	938	47	122	200	0.318
R3232.042	42	24	75	32	12	M 8x22	38	1537	73	125	228	0.560
R3232.045	45	24	75	32	12	M 8x22	38	1647	73	125	208	0.528
R3232.048	48	24	80	32	12	M 8x22	38	1756	73	110	190	0.590
R3232.050	50	24	80	32	12	M 8x22	38	1830	73	115	189	0.560
R3232.055	55	24	85	32	14	M 8x22	38	2348	85	130	200	0.622
R3232.060	60	24	90	32	14	M 8x22	38	2560	85	122	180	0.660
R3232.065	65	24	95	32	16	M 8x22	38	3170	98	130	191	0.798
R3232.070	70	28	110	38	14	M10x25	75	4700	134	132	211	1.238
R3232.075	75	28	115	38	14	M10x25	75	5000	134	128	194	1.294
R3232.080	80	28	120	38	14	M10x25	75	5300	134	124	182	1.364
R3232.085	85	28	125	38	16	M10x25	75	6500	154	133	196	1.428
R3232.090	90	28	130	38	16	M10x25	75	6900	154	128	181	1.482



Keyless Locking Devices

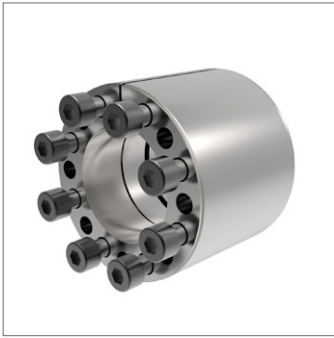
medium/high torque

Rigid Couplings

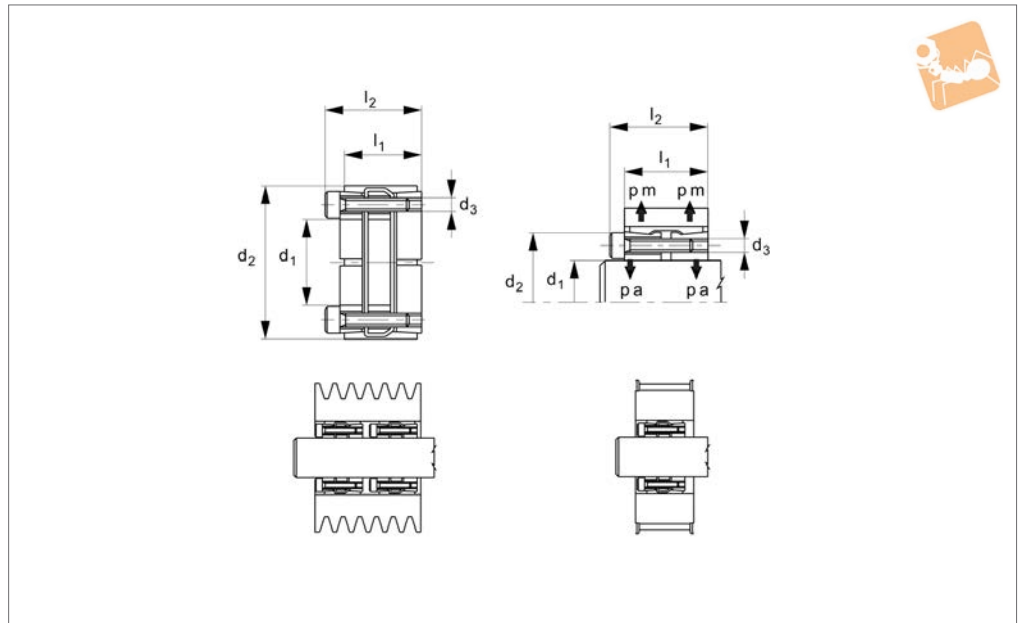


Order No.	d_1 tol. K11, h11	l_1	d_2 tol. N11, H11	l_2	No. of screws	d_3	Torque to Nm	M_t torque Nm max.	F_a kN max.	P_h N/mm ² max.	P_s N/mm ² max.	Weight kg
R3232.095	95	28	135	38	18	M10x25	75	8200	173	139	196	1.568
R3232.100	100	33	145	45	14	M12x30	130	9870	197	139	198	2.154
R3232.110	110	33	155	45	14	M12x30	130	10800	187	128	181	2.306
R3232.120	120	33	165	45	16	M12x30	130	13500	226	139	187	2.486
R3232.130	130	38	180	50	20	M12x35	130	18300	282	119	168	3.586
R3232.140	140	38	190	50	22	M12x35	130	21700	310	128	168	3.810
R3232.150	150	38	200	50	24	M12x35	130	25300	338	128	170	4.084
R3232.160	160	38	210	50	26	M12x35	130	29300	367	132	171	4.360
R3232.170	170	44	225	58	22	M14x40	207	33000	389	123	162	5.700
R3232.180	180	44	235	58	24	M14x40	207	38000	424	128	168	6.000
R3232.190	190	52	250	66	28	M14x45	207	47000	495	114	154	8.000
R3232.200	200	52	260	66	30	M14x45	207	53000	531	118	157	8.200
R3232.220	220	56	285	72	26	M16x50	300	91000	920	150	195	11.000
R3232.240	240	56	305	72	30	M16x50	300	115000	960	160	205	12.300
R3232.260	260	56	325	72	34	M16x50	300	140000	1050	170	210	13.000
R3232.280	280	66	355	84	32	M18x60	400	170000	1200	150	190	19.000
R3232.300	300	66	375	84	36	M18x60	400	210000	1400	160	200	20.200

RIGID COUPLINGS



R3234



Material
Steel.

Technical Notes

Capable of withstanding bending movements. Compact size.

Shaft & hub surface roughness: Rt max. 16µ, Ra 3µ

Tips

Do not use any oil with molybdenum bisulphide, high pressure additives, or grease as these reduce the coefficient of friction.

Max torque (Mt) and Axial thrust (Fa)

values are only valid if standard oils are used.

Important Notes

Assembly:

Carefully clean the hub and shaft contact surfaces and apply a film of lightweight oil. Slide the locking assembly into the hub bore, insert the shaft and tighten gradually in cross sequence to 50% of torque value indicated in table. Repeat the same operation by tightening all screws to rated torque.

Re-check screws are tightened up to torque value in the table.

Disassembly:

Loosen the cap screws. Insert the screws into the dismantling threading and tighten gradually and regularly in crossed sequence up to 50% of torque value indicated in the rating table.

When the front cone is loose, to release the rear cone keep tightening the screws and repeat the sequence above.

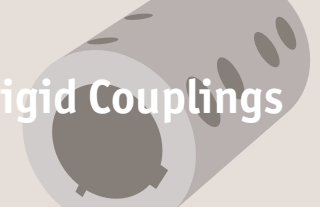
Order No.	d ₁ tol. h8	l ₁	d ₂ tol. H8	l ₂	No. of screws	d ₃	Torque to Nm	M _t torque Nm max.	F _a kN max.	P _a N/mm ² max.	P _m N/mm ² max.	Weight kg
R3234.025	25	40	55	46	6	M 6x35	18	840	67	295	134	0.602
R3234.028	28	40	55	46	6	M 6x35	18	940	67	264	134	0.510
R3234.030	30	40	55	46	6	M 6x35	18	1000	67	246	134	0.420
R3234.035	35	54	60	60	7	M 6x45	18	1300	74	174	101	0.498
R3234.038	38	54	75	62	7	M 8x50	41	2600	74	296	150	1.108
R3234.040	40	54	75	62	7	M 8x50	41	2900	145	281	150	1.048
R3234.042	42	54	75	62	7	M 8x50	41	2930	145	268	150	1.050
R3234.045	45	54	75	62	7	M 8x50	41	3260	145	250	150	0.982
R3234.048	48	54	80	62	8	M 8x55	41	3800	155	207	124	1.330
R3234.050	50	64	80	72	8	M 8x55	41	4150	155	200	98	1.284
R3234.055	55	64	85	72	9	M 8x55	41	5150	186	205	104	1.376
R3234.060	60	64	90	72	10	M 8x55	41	6200	207	202	106	1.524
R3234.065	65	64	95	72	10	M 8x55	41	6750	207	187	100	1.630
R3234.070	70	78	110	88	10	M10x60	83	11500	329	223	114	2.932
R3234.075	75	78	115	88	10	M10x60	83	12060	329	223	114	3.128
R3234.080	80	78	120	88	11	M10x60	83	14500	360	215	115	3.258
R3234.085	85	78	125	88	12	M10x60	83	15100	360	215	115	3.400
R3234.090	90	78	130	88	12	M10x60	83	17600	390	208	115	3.602
R3234.095	95	78	135	88	12	M10x60	83	18300	390	208	115	4.000
R3234.100	100	100	145	112	11	M12x80	145	23300	467	200	107	5.900
R3234.110	110	100	155	112	12	M12x80	145	30400	553	198	110	6.000



Keyless Locking Devices

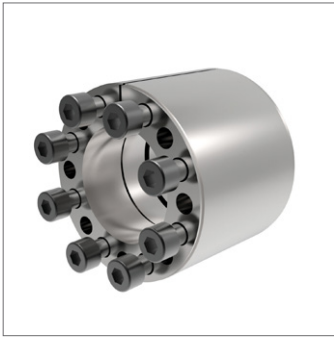
self centring, high torque

Rigid Couplings

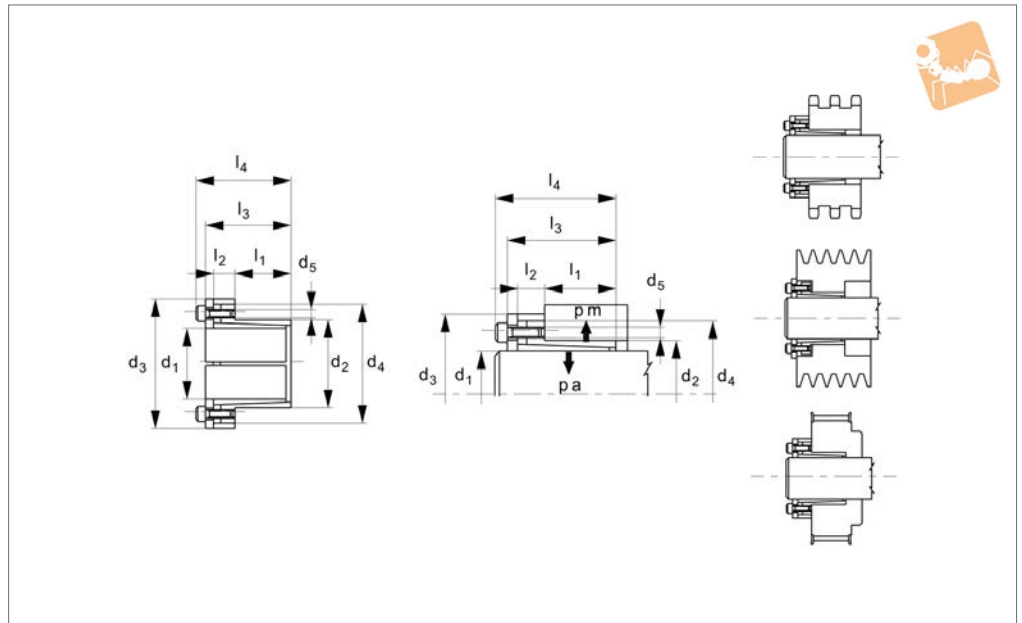


Order No.	d ₁ tol. h8	l ₁	d ₂ tol. H8	l ₂	No. of screws	d ₃	Torque to Nm	M _t torque Nm max.	F _a kN max.	P _a N/mm ² max.	P _m N/mm ² max.	Weight kg
R3234.120	120	100	165	112	14	M12x80	145	37000	617	212	120	6.600
R3234.130	130	116	180	130	12	M14x90	230	49000	759	192	112	10.200
R3234.140	140	116	190	130	14	M14x90	230	59000	843	208	124	10.500
R3234.150	150	116	200	130	15	M14x90	230	67000	897	208	127	11.000
R3234.160	160	116	210	130	16	M14x90	230	76000	950	208	128	12.000
R3234.170	170	148	225	164	16	M16x110	360	102000	1223	182	113	17.000
R3234.180	180	148	235	164	16	M16x111	360	115000	1289	184	115	18.400
R3234.190	190	148	250	164	16	M16x112	360	130000	1363	186	116	21.400
R3234.200	200	148	260	164	16	M16x113	360	143700	1438	177	112	21.800

RIGID COUPLINGS



R3236



Material
Steel.

Technical Notes

Capable of withstanding bending movements. Compact size.

Shaft & hub surface roughness: Rt max. 16µ, Ra 3µ

Tips

Do not use any oil with molybdenum bisulphide, high pressure additives, or grease as these reduce the coefficient of

friction.

Max torque (Mt) and Axial thrust (Fa) values are only valid if standard oils are used.

Important Notes

Assembly:
Carefully clean the hub and shaft contact surfaces and apply a film of lightweight oil. Slide the locking assembly into the hub bore, insert the shaft and tighten gradually in cross sequence to 50% of Torque value indicated in table.

Repeat the same operation by tightening all screws to rated torque.

Re-check screws are torqued up to torque value in the table.

Disassembly:

Loosen the cap screws. Insert the screws into the dismantling threading and tighten gradually and regularly in crossed sequence up to 50% of Torque value indicated in the rating table. When the front cone is loose, to release the rear cone keep tightening the screws and repeat the sequence above.

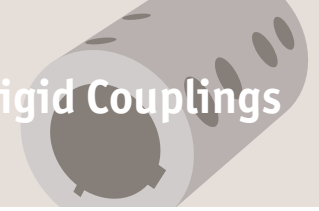
Order No.	d ₁ tol. h8	l ₁	d ₂ tol. H8	l ₂	No. of screws	d ₃	d ₄	Torque to Nm	d ₅	l ₃	l ₄	M _t torque Nm max.	F _a kN max.	P _a N/mm ² max.	P _m N/mm ² max.	Weight kg
R3236.008	8	12	15	9	3	32	28	5	M4x12	24	28	30	7	190	105	0,050
R3236.009	9	14	16	9	3	32	28	5	M4x12	27	31	32	7	150	92	0,059
R3236.010	10	14	16	9	3	32	28	5	M4x12	27	31	40	9	140	90	0,056
R3236.011	11	14	18	9	4	34	30	5	M4x12	27	31	50	9	175	107	0,064
R3236.012	12	14	18	9	4	34	30	5	M4x12	27	31	55	9	161	107	0,070
R3236.014	14	14	23	9	4	39	35	5	M4x12	27	31	64	9	137	84	0,103
R3236.015	15	16	24	13	4	45	40	17	M6x17	36	42	99	13	162	101	0,209
R3236.016	16	16	24	13	4	45	40	17	M6x18	36	42	105	13	152	101	0,218
R3236.017	17	16	26	13	4	45	40	17	M6x15	36	42	190	23	200	140	0,216
R3236.018	18	18	26	13	4	47	42	17	M6x18	38	44	158	18	160	111	0,226
R3236.019	19	18	27	13	4	48	43	17	M6x18	38	44	167	18	151	107	0,248
R3236.020	20	18	28	13	4	49	44	17	M6x18	38	44	176	21	144	103	0,248
R3236.022	22	25	32	13	4	54	48	17	M6x18	45	51	232	21	113	78	0,325
R3236.024	24	25	34	13	4	56	50	17	M6x18	45	51	253	21	103	73	0,344
R3236.025	25	25	34	13	4	56	50	17	M6x18	45	51	263	21	99	73	0,332
R3236.028	28	25	39	13	6	61	55	17	M6x18	45	51	368	31	111	80	0,410
R3236.030	30	25	41	13	6	63	57	17	M6x18	45	51	474	31	124	91	0,414
R3236.032	32	30	43	13	6	65	59	17	M6x18	50	56	505	31	97	72	0,478
R3236.035	35	30	47	13	8	69	63	17	M6x18	50	56	737	42	119	88	0,546
R3236.038	38	30	50	13	8	72	66	17	M6x18	50	56	800	42	109	83	0,580
R3236.040	40	32	53	13	8	75	69	17	M6x18	52	58	947	53	109	82	0,626
R3236.042	42	32	55	23	8	77	71	42	M8x22	52	70	994	78	104	79	0,880
R3236.045	45	40	59	16	8	85	79	42	M8x22	64	72	1750	78	127	97	1,032



Keyless Locking Devices

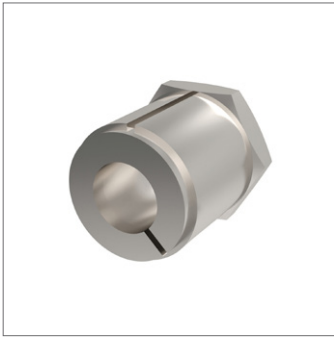
self centring

Rigid Couplings

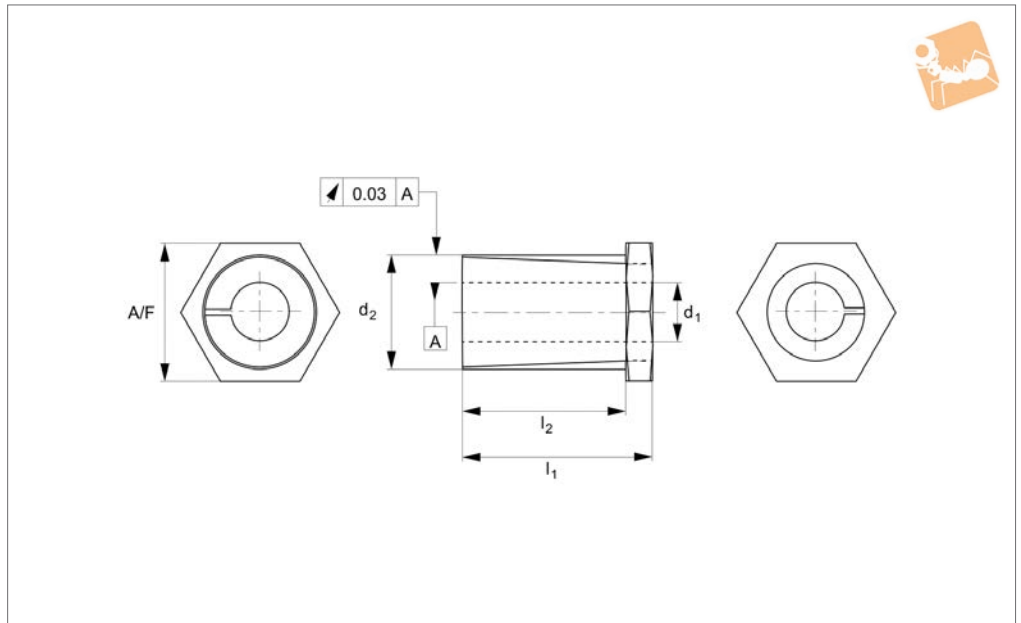


Order No.	d ₁ tol. h8	l ₁	d ₂ tol. H8	l ₂	No. of screws	d ₃	d ₄	Torque to Nm	d ₅	l ₃	l ₄	M _t torque Nm max.	F _a kN max.	P _a N/mm ² max.	P _m N/mm ² max.	Weight kg
R3236.048	48	40	62	16	8	88	82	42	M8x22	64	72	1867	78	120	93	1,108
R3236.050	50	50	65	16	10	92	85	42	M8x22	74	82	2431	97	115	98	1,270
R3236.055	55	50	71	16	10	98	91	42	M8x22	74	82	2674	97	104	81	1,480
R3236.060	60	50	77	16	10	104	97	42	M8x22	74	82	2917	97	96	75	1,658
R3236.065	65	50	84	16	10	111	104	42	M8x22	74	82	3160	97	88	69	1,922
R3236.070	70	60	90	20	10	122	115	84	M10x25	91	101	4322	123	87	67	2,692
R3236.075	75	60	95	20	10	126	119	84	M10x25	91	101	6171	197	93	74	2,950
R3236.080	80	65	100	20	12	131	124	84	M10x25	96	106	7899	237	97	77	3,342
R3236.085	85	65	106	20	12	137	130	84	M10x25	96	106	8393	237	91	73	3,622
R3236.090	90	65	112	20	12	143	136	84	M10x25	96	106	10367	276	100	51	3,956
R3236.095	95	65	120	20	14	153	144	84	M10x25	96	106	10943	276	95	75	4,648
R3236.100	100	65	125	24	12	162	153	145	M12x30	102	114	14520	348	114	91	6,000

RIGID COUPLINGS



R3220



Material

Stainless steel (A2, AISI 303).

Technical Notes

Used to easily and effectively achieve shaft/hub joints. Simple axial and radial fixing.

For applications such as fixing sprockets, gears, pulleys, cams, levers on to shafts.

Tips

Clean shaft and hub free from oil and dirt. Rotate the nut until inner part protrudes approximately 3mm over the outer.

Install taper bush onto shaft, slightly tighten nut when located in desired position.

Compensate the axial off-set produced with a soft-faced mallet, and tighten.

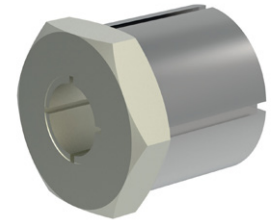
Order No.	d ₁ tol. H9	d ₂ tol. h9	l ₁	l ₂	A/F	Thread	Torque to Nm	Torque Nm max.
R3220.040	4	8	15	12.5	8	M6 x 0,5	4	3
R3220.050	5	10	15	12.5	10	M8 x 0,5	5	4
R3220.060	6	10	15	12.5	10	M8 x 0,5	8	7
R3220.0635	6.35	10	15	12.5	10	M8 x 0,5	7	7
R3220.070	7	12	15	12.0	12	M10 x 0,75	9	8
R3220.080	8	14	22	19.0	17	M12 x 1,0	15	14
R3220.090	9	14	22	19.0	17	M12 x 1,0	15	14
R3220.0952	9.52	14	22	19.0	17	M12 x 1,0	14	14
R3220.100	10	17	22	18.5	19	M15 x 1,0	19	18
R3220.110	11	17	22	18.5	19	M15 x 1,0	19	18
R3220.120	12	17	22	18.5	19	M15 x 1,0	19	18
R3220.1270	12.7	17	22	18.5	19	M15 x 1,0	18	18
R3220.140	14	20	28	23.0	22	M17 x 1,0	25	24
R3220.150	15	20	28	23.0	22	M17 x 1,0	25	24
R3220.1588	15.88	23	28	23.0	27	M20 x 1,0	26	26
R3220.160	16	23	28	23.0	27	M20 x 1,0	27	26
R3220.170	17	23	28	23.0	27	M20 x 1,0	27	26
R3220.190	19	25	28	23.0	27	M22 x 1,0	30	29
R3220.200	20	28	28	23.0	30	M22 x 1,0	32	31



Steel Taper Bushes

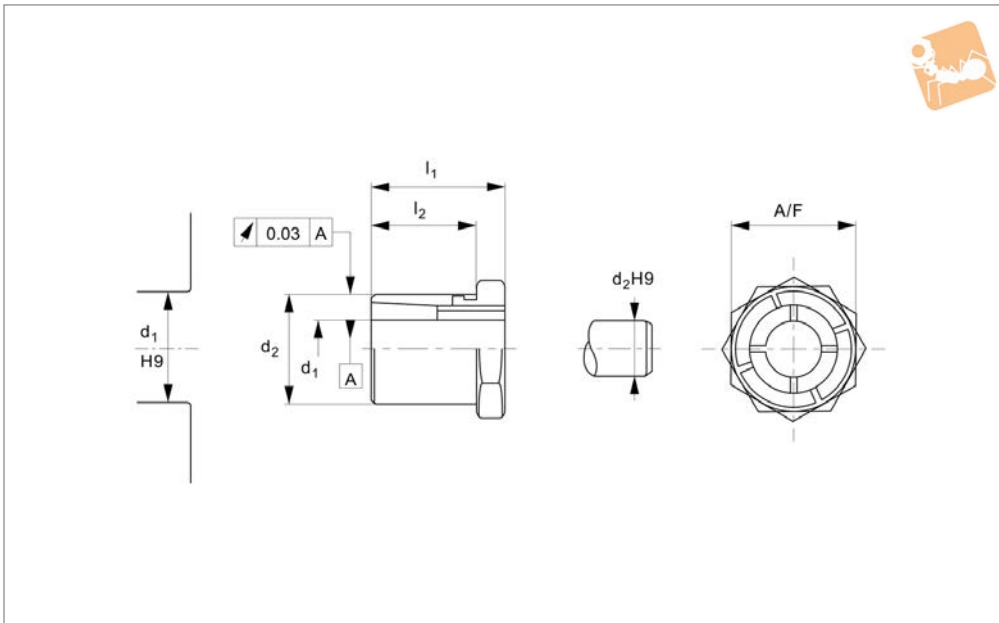
no lock nut

Rigid Couplings



R3221

RIGID COUPLINGS



Material

Body, galvanized steel. Internal part and nut from nickel plated steel.

Technical Notes

Used to easily and effectively achieve shaft/hub joints. Simple axial and radial fixing.

For applications such as fixing sprockets, gears, pulleys, cams, levers on to shafts. See technical pages for installation instructions.

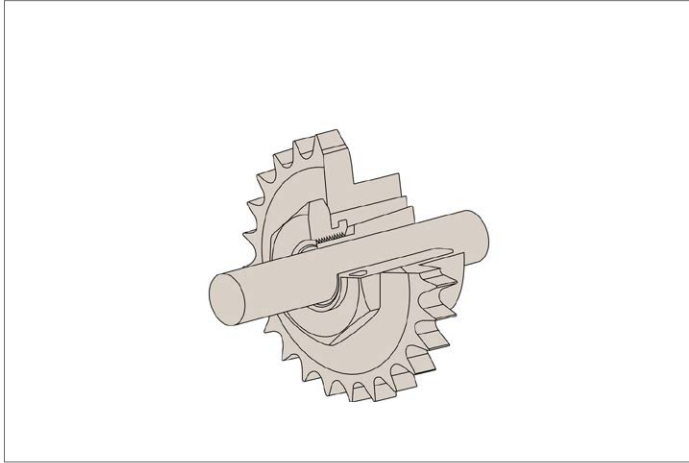
Parallelism is 0,03 mm.

Tips

F_a max. kN is the transferable thrust load.
 P_s max. N/mm² is the surface pressure on the shaft.

P_h max. N/mm² is the surface pressure on the bore.

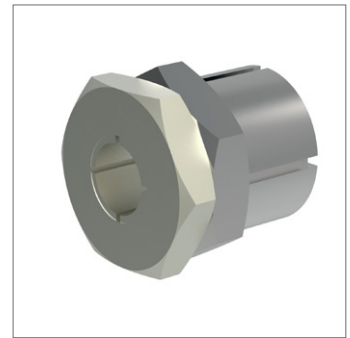
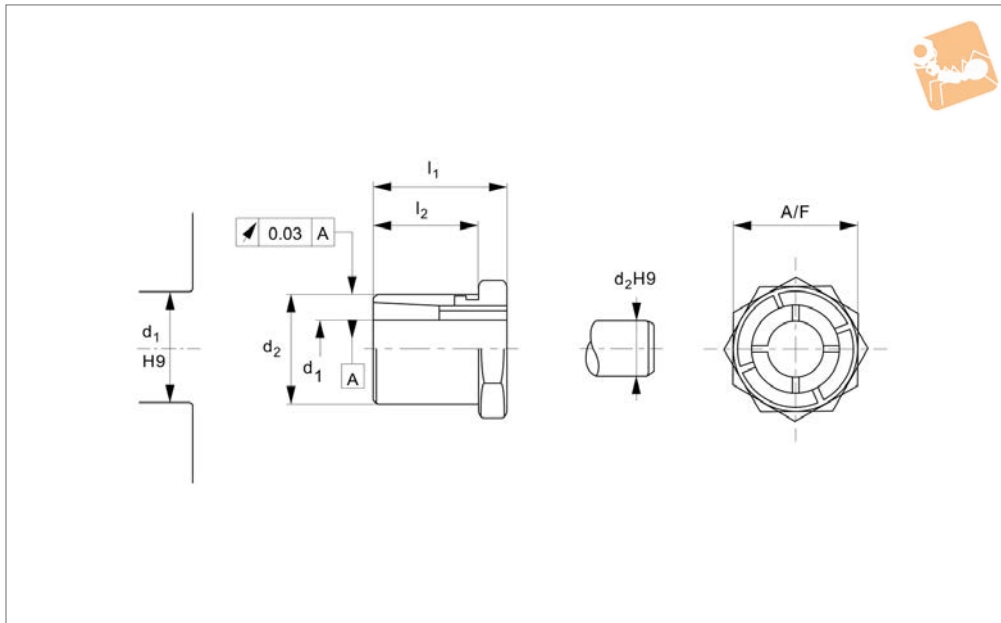
Order No.	d_1 tol. H9	d_2 tol. h9	l_1	l_2	A/F	Torque to Nm	Torque Nm max.	F_a kN	P_s N/mm ² max.	P_h N/mm ² max.	Weight g
R3221.050	5	14	19	15	14	9.9	10.1	4.0	264	96	20
R3221.060	6	14	19	15	14	9.9	12.1	4.0	220	96	19
R3221.080	8	16	22	17	16	16.9	23.4	5.8	179	91	26
R3221.090	9	20	24	19	22	34.9	43.7	9.7	245	115	47
R3221.100	10	20	24	19	22	34.9	48.6	9.7	221	115	46
R3221.110	11	22	24	19	22	43.8	59.9	10.9	225	117	51
R3221.120	12	22	24	19	22	43.8	65.3	10.9	206	117	49
R3221.140	14	26	28	22	27	65.0	93.0	13.3	178	99	83
R3221.150	15	26	28	22	27	65.0	99.0	13.3	166	99	78
R3221.160	16	26	28	22	27	65.0	106.0	13.3	156	99	73
R3221.180	18	35	36	27	36	161.0	223.0	24.8	224	125	201
R3221.190	19	35	36	27	36	161.0	235.0	24.8	212	125	189
R3221.200	20	35	36	27	36	161.0	248.0	24.8	201	125	186
R3221.220	22	42	41	30	46	250.0	349.0	31.8	197	110	346
R3221.240	24	42	41	30	46	250.0	381.0	31.8	180	110	326
R3221.250	25	42	41	30	46	250.0	397.0	31.8	173	110	315
R3221.280	28	47	44	33	50	355.0	565.0	40.4	174	110	403
R3221.300	30	47	44	33	50	355.0	605.0	40.4	162	110	378
R3221.320	32	55	51	38	55	490.0	764.0	47.8	166	102	632
R3221.350	35	55	51	38	55	490.0	836.0	47.8	151	102	571
R3221.380	38	62	58	43	65	720.0	1179.0	62.1	159	111	897
R3221.400	40	62	58	43	65	720.0	1241.0	62.1	151	111	842





Steel Taper Bushes with lock nut

Rigid Couplings



R3222

RIGID COUPLINGS

Material

Body, galvanized steel. Internal part and nut from nickel plated steel.

Technical Notes

Used to easily and effectively achieve shaft/hub joints, simple axial and radial fixing.
For applications such as fixing sprockets,

gears, pulleys, cams, levers on to shafts. See technical pages for installation instructions.

The lock nut at the outer part facilitates locking of the shaft-hub joint if freely rotating shafts are involved.

Tips

F_a max. kN is the transferable thrust load.
 P_s max. N/mm² is the surface pressure on the shaft.

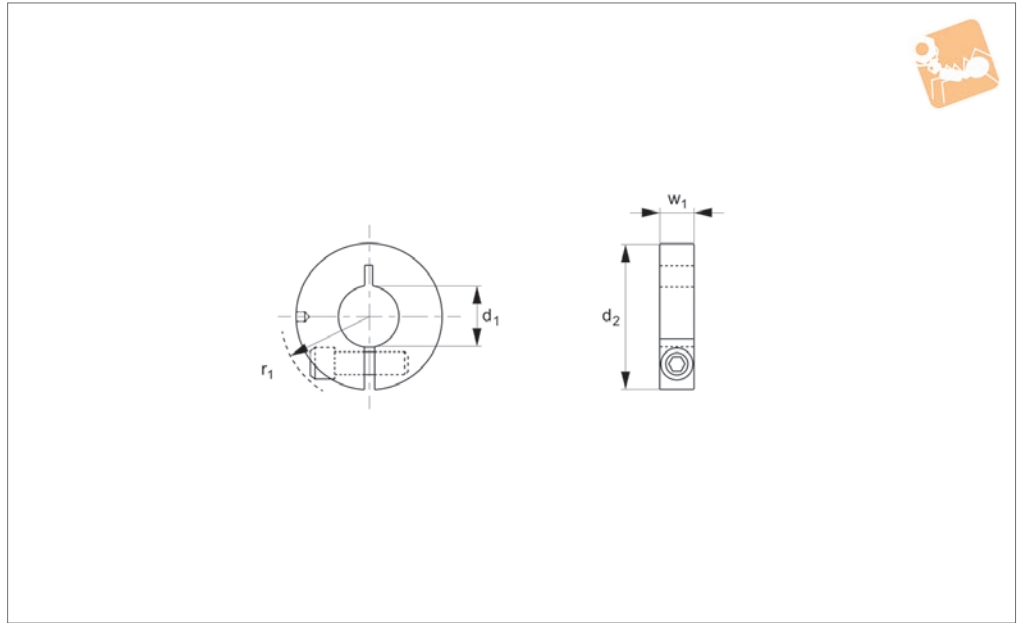
P_h max. N/mm² is the surface pressure on the bore.

Parallelism is 0,03 mm.

Order No.	d ₁ tol. H9	d ₂ tol. h9	l ₁	l ₂	l ₃	A/F	Torque to Nm	Torque Nm max.	F _a kN	P _s N/mm ² max.	P _h N/mm ² max.	Weight g
R3222.050	5	12	19	15	9	14	9.9	10.1	4.0	264	119	18
R3222.060	6	12	19	15	9	14	9.9	12.1	4.0	220	119	17
R3222.080	8	14	22	17	11	16	16.9	23.4	5.8	179	121	23
R3222.090	9	18	24	19	12	22	34.9	43.7	9.7	245	127	47
R3222.100	10	18	24	19	12	22	34.9	48.6	9.7	221	127	46
R3222.110	11	20	24	19	12	22	43.8	59.9	10.9	225	128	47
R3222.120	12	20	24	19	12	22	43.8	65.3	10.9	206	128	45
R3222.140	14	24	28	22	15	27	65.0	93.0	13.3	178	107	78
R3222.150	15	24	28	22	15	27	65.0	99.0	13.3	166	107	75
R3222.160	16	24	28	22	15	27	65.0	106.0	13.3	156	107	70
R3222.180	18	30	36	27	17	36	161.0	223.0	24.8	224	145	179
R3222.190	19	30	36	27	17	36	161.0	235.0	24.8	212	145	169
R3222.200	20	30	36	27	17	36	161.0	248.0	24.8	201	145	213
R3222.220	22	38	41	30	20	46	250.0	349.0	31.8	197	122	341
R3222.240	24	38	41	30	20	46	250.0	381.0	31.8	180	122	320
R3222.250	25	38	41	30	20	46	250.0	397.0	31.8	173	122	310
R3222.280	28	42	44	33	23	50	355.0	565.0	40.4	174	123	370
R3222.300	30	42	44	33	23	50	355.0	605.0	40.4	162	123	348
R3222.320	32	50	51	38	28	55	490.0	764.0	47.8	166	112	555
R3222.350	35	50	51	38	28	55	490.0	836.0	47.8	151	112	501



R3250



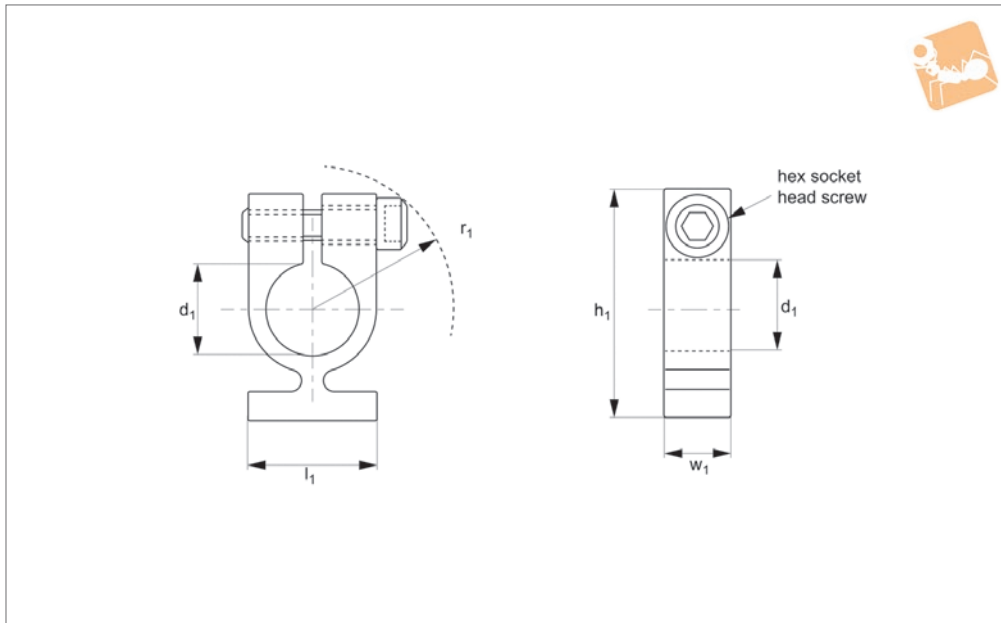
Material

Stainless steel (A2, AISI 303) or anodised aluminium (DIN 3,1355).

Technical Notes

Some sizes may be full, semi-counter-bored, or step cut.

Order No.	Material	d_1 +0.025 -0.0	d_2	r_1	w_1	For shaft
R3250.031-AL	Aluminium	4.6	14.0	8.5	4.0	3
R3250.032-AL	Aluminium	4.6	16.0	8.5	4.0	3
R3250.033-AL	Aluminium	4.6	16.0	8.5	5.0	3
R3250.034-AL	Aluminium	4.6	16.0	10.0	6.5	3
R3250.051-AL	Aluminium	6.6	16.0	8.5	4.0	5
R3250.052-AL	Aluminium	6.6	16.0	8.5	5.0	5
R3250.053-AL	Aluminium	6.6	22.0	12.5	5.0	5
R3250.054-AL	Aluminium	6.6	22.0	13.0	6.0	5
R3250.072-AL	Aluminium	8.6	22.0	13.0	6.0	7
R3250.081-AL	Aluminium	9.6	28.5	16.0	6.5	8
R3250.082-AL	Aluminium	9.6	28.5	16.0	8.0	8
R3250.101-AL	Aluminium	11.6	28.5	16.0	6.5	10
R3250.102-AL	Aluminium	11.6	32.0	16.0	8.0	10
R3250.121-AL	Aluminium	13.6	32.0	16.0	8.0	12
R3250.031-A2	Stainless	4.6	14.0	8.5	4.0	3
R3250.032-A2	Stainless	4.6	16.0	8.5	4.0	3
R3250.033-A2	Stainless	4.6	16.0	8.5	5.0	3
R3250.034-A2	Stainless	4.6	16.0	10.0	6.5	3
R3250.041-A2	Stainless	5.6	16.0	8.5	4.0	4
R3250.051-A2	Stainless	6.6	16.0	8.5	4.0	5
R3250.052-A2	Stainless	6.6	16.0	8.5	5.0	5
R3250.053-A2	Stainless	6.6	22.0	12.5	5.0	5
R3250.054-A2	Stainless	6.6	22.0	12.5	6.0	5
R3250.061-A2	Stainless	7.6	22.0	12.5	5.0	6
R3250.071-A2	Stainless	8.6	22.0	12.5	5.0	7
R3250.072-A2	Stainless	8.6	22.0	13.0	6.0	7
R3250.081-A2	Stainless	9.6	28.5	16.0	6.5	8
R3250.082-A2	Stainless	9.6	28.5	16.0	8.0	8
R3250.101-A2	Stainless	11.6	28.5	16.0	6.5	10
R3250.102-A2	Stainless	11.6	32.0	16.0	8.0	10
R3250.121-A2	Stainless	13.6	32.0	16.0	8.0	12



R3252

RIGID COUPLINGS

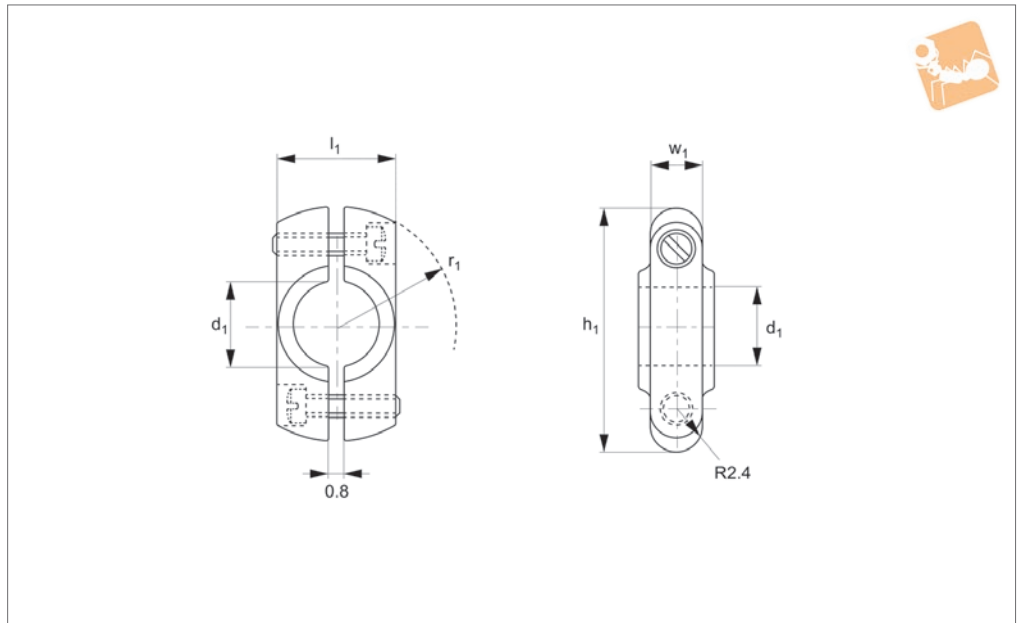
Material

Stainless steel (AISI 303 or AISI 416) or mild steel.

Order No.	Material	l_1	d_1	h_1	r_1	w_1 ± 0.13	Finish	For shaft
R3252.031	416 s/s	7.9	4.6	17.5	11.1	6.35	Black Pass.	3.0
R3252.032	303 s/s	7.9	4.6	17.5	11.1	6.35	Clear Pass.	3.0
R3252.033	Steel	7.9	4.6	17.5	11.1	3.56	Cad. Plate	3.0
R3252.051	416 s/s	9.6	6.6	20.6	13.1	6.35	Black Pass.	5.0
R3252.052	303 s/s	9.6	6.6	20.6	13.1	6.35	Clear Pass.	5.0
R3252.053	Steel	9.6	6.6	20.6	13.1	3.56	Cad. Plate	5.0
R3252.071	416 s/s	11.1	8.6	20.6	14.3	6.35	Black Pass.	7.0
R3252.072	303 s/s	11.1	8.6	20.6	14.3	6.35	Clear Pass.	7.0
R3252.073	Steel	11.1	8.6	20.6	14.3	3.56	Cad. Plate	7.0
R3252.101	416 s/s	15.9	11.6	26.2	17.1	6.35	Clear Pass.	10.0
R3252.102	Steel	15.9	11.6	26.2	17.1	6.35	Cad. Plate	10.0
R3252.103	Steel	15.9	11.6	26.2	17.1	3.56	Cad. Plate	10.0
R3252.121	416 s/s	15.9	13.6	26.2	17.1	6.35	Clear Pass.	12.0
R3252.122	Steel	15.9	13.6	26.2	17.1	6.35	Cad. Plate	12.0
R3252.123	Steel	15.9	13.6	26.2	17.1	3.56	Cad. Plate	12.0



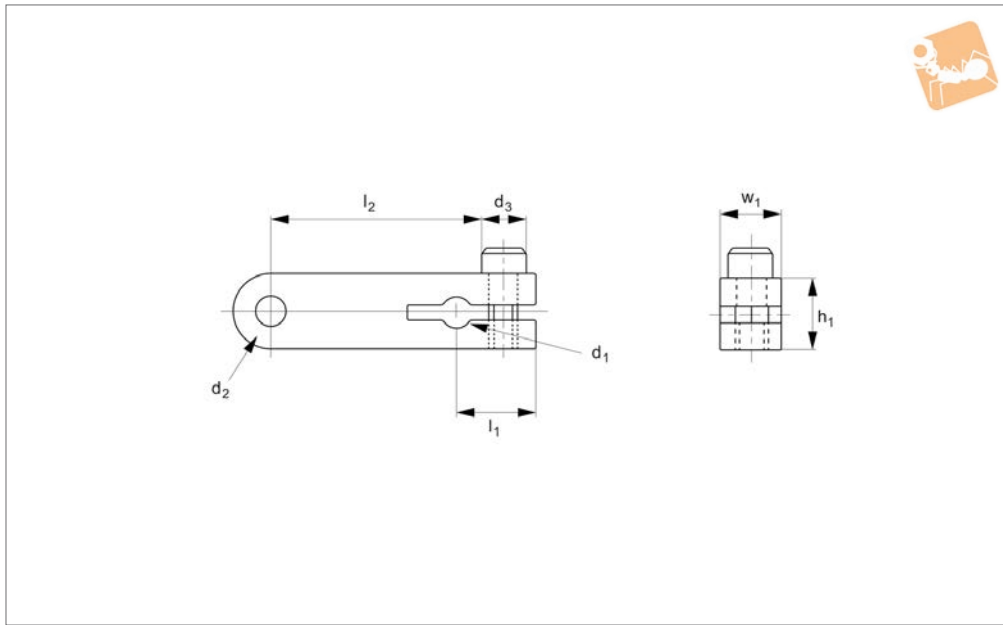
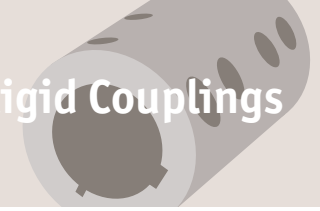
R3253



Material

Mild steel body and stainless steel screws .

Order No.	l_1	d_1	h_1	r_1	w_1 ± 0.13	Balanced	For shaft
R3253.003	7.9	4.6	17.4	9.5	6.10	Dynam. bal	3.0
R3253.005	9.5	6.6	18.85	10.3	6.10	Dynam. bal	5.0
R3253.007	11.1	8.6	20.6	11.9	6.10	Dynam. bal	7.0
R3253.103	7.9	4.6	17.4	9.5	6.10	No	3.0
R3253.105	9.5	6.6	18.85	10.3	6.10	No	5.0
R3253.107	11.1	8.6	20.6	11.9	6.10	No	7.0



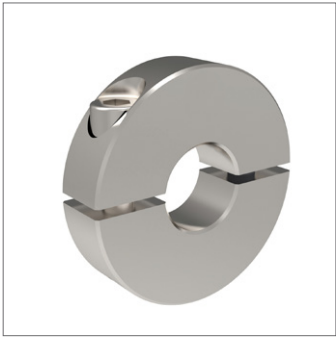
R3255

RIGID COUPLINGS

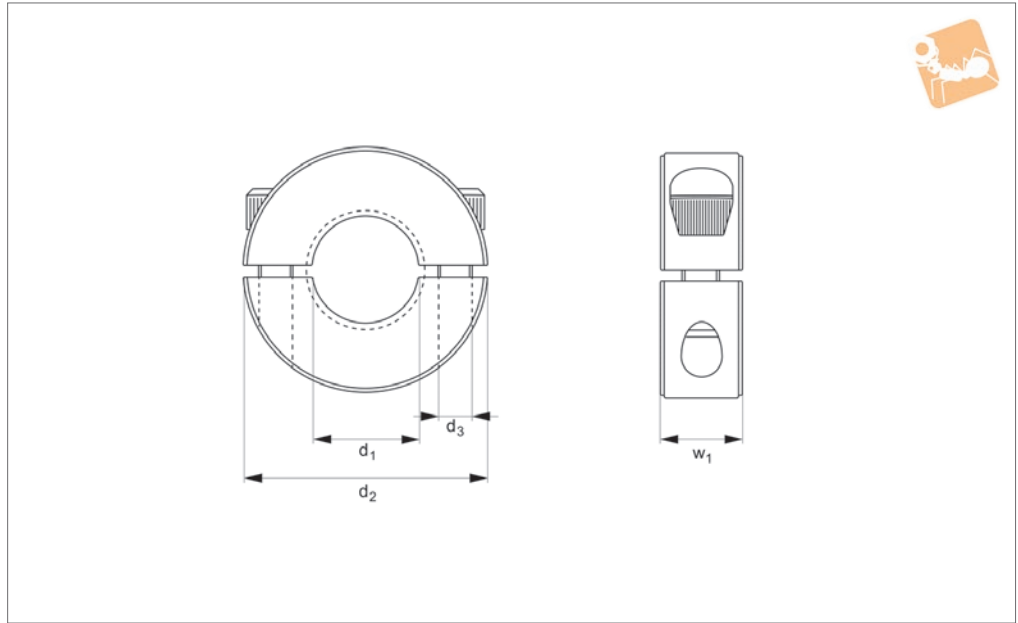
Material

Stainless steel (DIN 1,4005).

Order No.	l_1	d_1 +0.025 -0.000	d_2 for	l_2	h_1	w_1
R3255.030	6.4	3.0	M 4	15.9	6.4	4.8
R3255.040	6.4	4.0	M 4	15.9	6.4	4.8
R3255.050	6.4	5.0	M 4	15.9	7.9	4.8
R3255.060	6.7	6.0	M 4	15.9	7.9	4.8



R3210



Material

Steel (AISI 12L14), black oxide finish, or stainless steel (A2, AISI 303). Other materials available on request.

Technical Notes

Design fully engages the shaft without

marring or damaging.

Two piece collars are easily installed where major disassembly would otherwise be required.

Greater axial holding power than set screw collars, effective on hard and soft shafts.

Important Notes

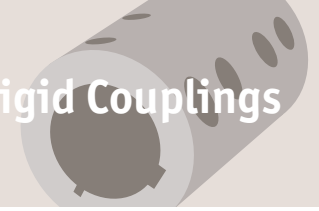
Different bore sizes available on request. For keyways, please add „-KW“ suffix when ordering.

Order No.	Material	d ₁ tol. H7/H8	d ₂ tol. H7/H8	d ₃	w	Torque screw to Nm	Weight g
R3210.030-BL	Black oxide steel	3	16	M 3	9	2.0	10
R3210.040-BL	Black oxide steel	4	16	M 3	9	2.0	10
R3210.050-BL	Black oxide steel	5	16	M 3	9	2.0	10
R3210.060-BL	Black oxide steel	6	16	M 3	9	2.0	10
R3210.080-BL	Black oxide steel	8	18	M 3	9	2.0	10
R3210.090-BL	Black oxide steel	9	24	M 3	9	2.0	20
R3210.100-BL	Black oxide steel	10	24	M 3	9	2.0	20
R3210.120-BL	Black oxide steel	12	28	M 4	11	4.5	40
R3210.130-BL	Black oxide steel	13	30	M 4	11	4.5	40
R3210.140-BL	Black oxide steel	14	30	M 4	11	4.5	40
R3210.150-BL	Black oxide steel	15	34	M 5	13	9.5	70
R3210.160-BL	Black oxide steel	16	34	M 5	13	9.5	70
R3210.170-BL	Black oxide steel	17	36	M 5	13	9.5	80
R3210.180-BL	Black oxide steel	18	36	M 5	13	9.5	70
R3210.200-BL	Black oxide steel	20	40	M 6	15	16.5	110
R3210.250-BL	Black oxide steel	25	47	M 6	15	16.5	120
R3210.300-BL	Black oxide steel	30	54	M 6	15	16.5	180
R3210.350-BL	Black oxide steel	35	57	M 6	15	16.5	180
R3210.400-BL	Black oxide steel	40	60	M 6	15	16.5	180
R3210.450-BL	Black oxide steel	45	73	M 8	19	39.0	380
R3210.500-BL	Black oxide steel	50	78	M 8	19	39.0	410
R3210.550-BL	Black oxide steel	55	82	M 8	19	39.0	430
R3210.600-BL	Black oxide steel	60	88	M 8	19	39.0	480
R3210.650-BL	Black oxide steel	65	93	M 8	19	39.0	510
R3210.700-BL	Black oxide steel	70	98	M 8	19	39.0	550
R3210.750-BL	Black oxide steel	75	103	M 8	19	39.0	580
R3210.800-BL	Black oxide steel	80	108	M 8	19	39.0	610
R3210.030-A2	Stainless	3	16	M 3	9	1.0	10
R3210.040-A2	Stainless	4	16	M 3	9	1.0	10
R3210.050-A2	Stainless	5	16	M 3	9	1.0	10
R3210.060-A2	Stainless	6	16	M 3	9	1.0	10

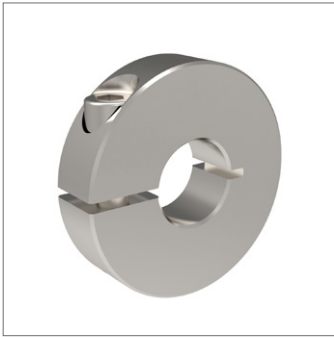


Shaft Collars - Two Piece Steel & stainless

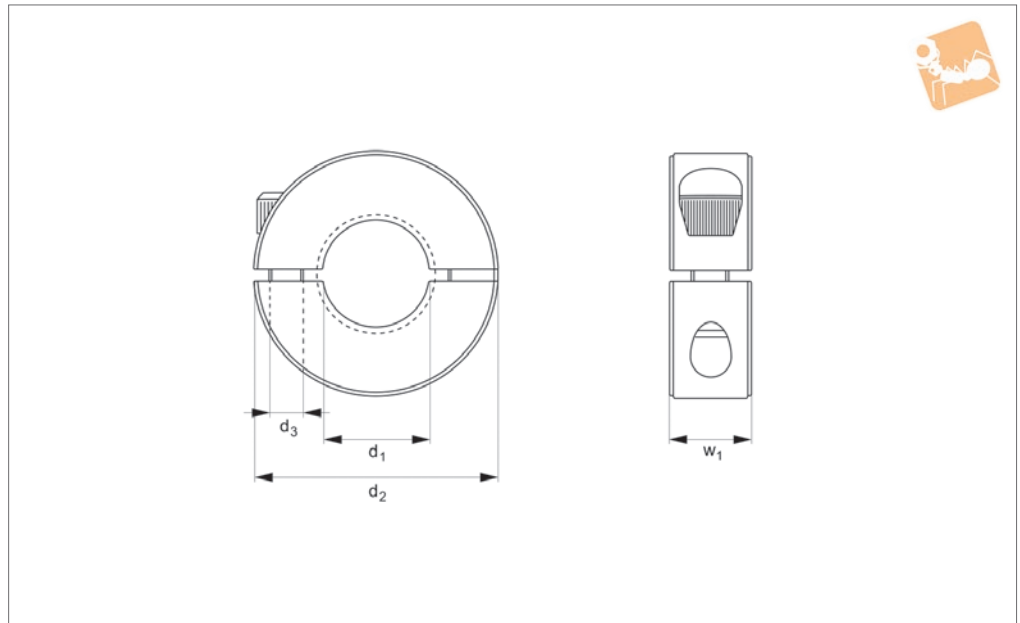
Rigid Couplings



Order No.	Material	d ₁ tol. H7/H8	d ₂ tol. H7/H8	d ₃	w	Torque screw to Nm	Weight g
R3210.080-A2	Stainless	8	18	M 3	9	1.0	30
R3210.090-A2	Stainless	9	24	M 3	9	1.0	20
R3210.100-A2	Stainless	10	24	M 3	9	1.0	20
R3210.120-A2	Stainless	12	28	M 4	11	2.5	40
R3210.130-A2	Stainless	13	30	M 4	11	2.5	40
R3210.140-A2	Stainless	14	30	M 4	11	2.5	40
R3210.150-A2	Stainless	15	34	M 5	13	5.0	70
R3210.160-A2	Stainless	16	34	M 5	13	5.0	60
R3210.170-A2	Stainless	17	36	M 5	13	5.0	80
R3210.180-A2	Stainless	18	36	M 5	13	5.0	70
R3210.200-A2	Stainless	20	40	M 6	15	8.5	100
R3210.250-A2	Stainless	25	47	M 6	15	8.5	140
R3210.300-A2	Stainless	30	54	M 6	15	8.5	170
R3210.350-A2	Stainless	35	57	M 6	15	8.5	170
R3210.400-A2	Stainless	40	60	M 6	15	8.5	160
R3210.450-A2	Stainless	45	73	M 8	19	20.5	350
R3210.500-A2	Stainless	50	78	M 8	19	20.5	380
R3210.550-A2	Stainless	55	82	M 8	19	20.5	430
R3210.600-A2	Stainless	60	88	M 8	19	20.5	440
R3210.650-A2	Stainless	65	93	M 8	19	20.5	510
R3210.700-A2	Stainless	70	98	M 8	19	20.5	550
R3210.750-A2	Stainless	75	103	M 8	19	20.5	580
R3210.800-A2	Stainless	80	108	M 8	19	20.5	610



R3212



Material

Steel (AISI 12L14), black oxide finish, or stainless steel (A2, AISI 303).

marring or damaging. Greater axial holding power than set screw collars, effective on hard and soft shafts.

For keyways, please add „-KW“ suffix when ordering.

Technical Notes

Design fully engages the shaft without

Important Notes

Different bore sizes available on request.

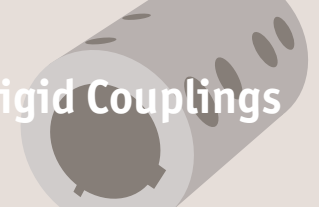
Order No.	Material	d ₁ tol. H7/H8	d ₂ tol. H7/H8	d ₃	w	Torque screw to Nm	Weight g
R3212.030-BL	Steel	3	16	M 3	9	2.0	10
R3212.040-BL	Steel	4	16	M 3	9	2.0	10
R3212.050-BL	Steel	5	16	M 3	9	2.0	10
R3212.060-BL	Steel	6	16	M 3	9	2.0	10
R3212.080-BL	Steel	8	18	M 3	9	2.0	10
R3212.090-BL	Steel	9	24	M 3	9	2.0	20
R3212.100-BL	Steel	10	24	M 3	9	2.0	20
R3212.120-BL	Steel	12	28	M 4	11	4.5	40
R3212.130-BL	Steel	13	30	M 4	11	4.5	40
R3212.140-BL	Steel	14	30	M 4	11	4.5	40
R3212.150-BL	Steel	15	34	M 5	13	9.5	70
R3212.160-BL	Steel	16	34	M 5	13	9.5	70
R3212.170-BL	Steel	17	36	M 5	13	9.5	80
R3212.180-BL	Steel	18	36	M 5	13	9.5	70
R3212.200-BL	Steel	20	40	M 6	15	16.5	110
R3212.250-BL	Steel	25	47	M 6	15	16.5	120
R3212.300-BL	Steel	30	54	M 6	15	16.5	180
R3212.350-BL	Steel	35	57	M 6	15	16.5	180
R3212.400-BL	Steel	40	60	M 6	15	16.5	180
R3212.450-BL	Steel	45	73	M 8	19	39.0	380
R3212.500-BL	Steel	50	78	M 8	19	39.0	410
R3212.550-BL	Steel	55	82	M 8	19	39.0	430
R3212.600-BL	Steel	60	88	M 8	19	39.0	480
R3212.650-BL	Steel	65	93	M 8	19	39.0	510
R3212.700-BL	Steel	70	98	M 8	19	39.0	550
R3212.750-BL	Steel	75	103	M 8	19	39.0	580
R3212.800-BL	Steel	80	108	M 8	19	39.0	610
R3212.030-A2	Stainless	3	16	M 3	9	1.0	10
R3212.040-A2	Stainless	4	16	M 3	9	1.0	10
R3212.050-A2	Stainless	5	16	M 3	9	1.0	10
R3212.060-A2	Stainless	6	16	M 3	9	1.0	10
R3212.080-A2	Stainless	8	18	M 3	9	1.0	10



Shaft Collars - One Piece

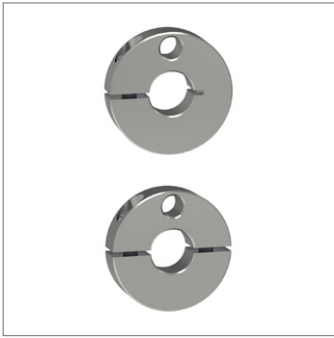
Steel & stainless

Rigid Couplings

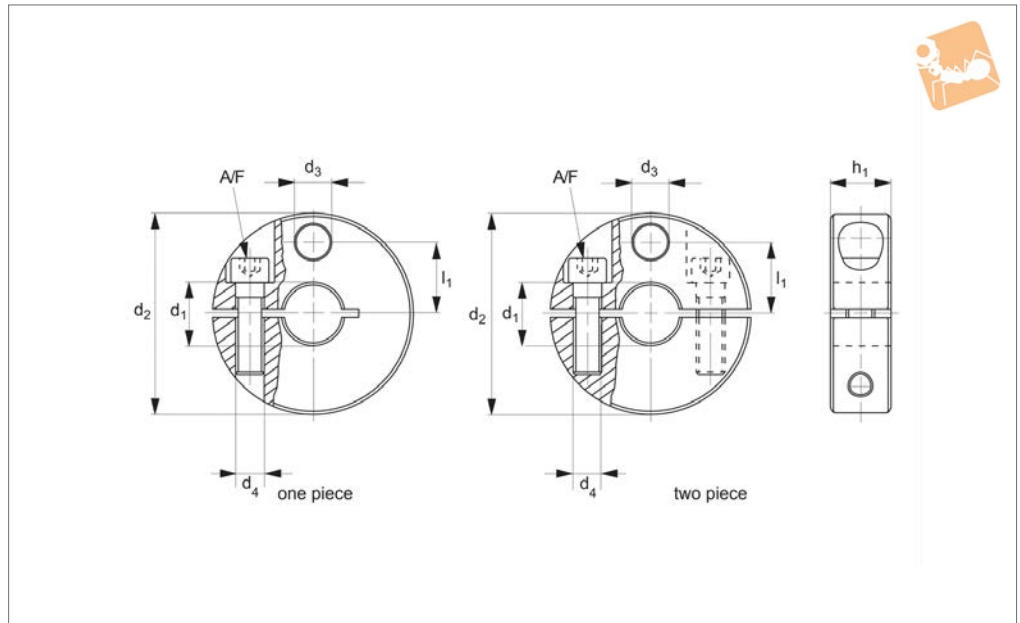


Order No.	Material	d ₁ tol. H7/H8	d ₂ tol. H7/H8	d ₃	w	Torque screw to Nm	Weight g
R3212.090-A2	Stainless	9	24	M 3	9	1.0	20
R3212.100-A2	Stainless	10	24	M 3	9	1.0	20
R3212.120-A2	Stainless	12	28	M 4	11	2.5	40
R3212.130-A2	Stainless	13	30	M 4	11	2.5	40
R3212.140-A2	Stainless	14	30	M 4	11	2.5	40
R3212.150-A2	Stainless	15	34	M 5	13	5.0	70
R3212.160-A2	Stainless	16	34	M 5	13	5.0	70
R3212.170-A2	Stainless	17	36	M 5	13	5.0	80
R3212.180-A2	Stainless	18	36	M 5	13	5.0	70
R3212.200-A2	Stainless	20	40	M 6	15	8.5	110
R3212.250-A2	Stainless	25	47	M 6	15	8.5	120
R3212.300-A2	Stainless	30	54	M 6	15	8.5	180
R3212.350-A2	Stainless	35	57	M 6	15	8.5	180
R3212.400-A2	Stainless	40	60	M 6	15	8.5	180
R3212.450-A2	Stainless	45	73	M 8	19	20.5	380
R3212.500-A2	Stainless	50	78	M 8	19	20.5	410
R3212.550-A2	Stainless	55	52	M 8	19	20.5	430
R3212.600-A2	Stainless	60	88	M 8	19	20.5	480
R3212.650-A2	Stainless	65	93	M 8	19	20.5	510
R3212.700-A2	Stainless	70	98	M 8	19	20.5	550
R3212.750-A2	Stainless	75	103	M 8	19	20.5	580
R3212.800-A2	Stainless	80	108	M 8	19	20.5	610

RIGID COUPLINGS



R3213



Material

Set collar and screw: stainless steel (AISI 420, 1.4021).

Technical Notes

Clamping ring made of stainless steel with

strong clamping force. Available in two versions, slotted (one piece) and divided (two piece). Clamping rings with $d_1 > 10\text{mm}$ supplied with fixing hole (d_3) for the mounting of sensors, switches etc.

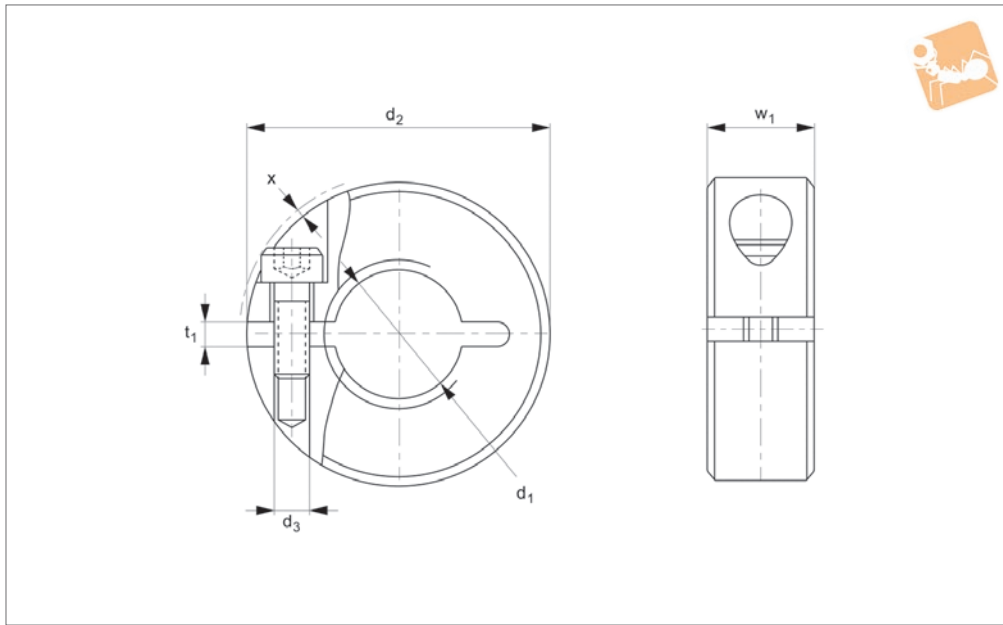
Order No.	Type	d_1 tol. H8	d_2 -0.5	d_3	d_4	l_1	h_1	A/F	Weight g
R3213.100-1	One piece	10	40	6.5	M 5	14.5	12	4	99
R3213.120-1	One piece	12	40	6.5	M 5	14.5	12	4	94
R3213.140-1	One piece	14	45	9.0	M 6	16.5	13	5	125
R3213.150-1	One piece	15	45	9.0	M 6	16.5	13	5	122
R3213.160-1	One piece	16	45	9.0	M 6	16.5	13	5	120
R3213.180-1	One piece	18	50	9.0	M 6	18.5	13	5	151
R3213.200-1	One piece	20	50	9.0	M 6	18.5	13	5	144
R3213.220-1	One piece	22	65	13.0	M 8	23.5	18	6	359
R3213.240-1	One piece	24	65	13.0	M 8	23.5	18	6	349
R3213.250-1	One piece	25	65	13.0	M 8	23.5	18	6	345
R3213.300-1	One piece	30	75	13.0	M 8	27.0	20	6	108
R3213.320-1	One piece	32	80	13.0	M 8	30.0	20	6	588
R3213.350-1	One piece	35	80	13.0	M 8	30.0	20	6	566
R3213.100-2	Two piece	10	40	6.5	M 5	14.5	12	4	94
R3213.120-2	Two piece	12	40	6.5	M 5	14.5	12	4	90
R3213.140-2	Two piece	14	45	9.0	M 6	16.5	13	5	114
R3213.150-2	Two piece	15	45	9.0	M 6	16.5	13	5	112
R3213.160-2	Two piece	16	45	9.0	M 6	16.5	13	5	110
R3213.180-2	Two piece	18	50	9.0	M 6	18.5	13	5	142
R3213.200-2	Two piece	20	50	9.0	M 6	18.5	13	5	139
R3213.220-2	Two piece	22	65	13.0	M 8	23.5	18	6	341
R3213.240-2	Two piece	24	65	13.0	M 8	23.5	18	6	330
R3213.250-2	Two piece	25	65	13.0	M 8	23.5	18	6	330
R3213.300-2	Two piece	30	75	13.0	M 8	27.0	20	6	488
R3213.320-2	Two piece	32	80	13.0	M 8	30.0	20	6	564
R3213.350-2	Two piece	35	80	13.0	M 8	30.0	20	6	542



Threaded Set Collars

steel & stainless

Rigid Couplings



R3214

RIGID COUPLINGS

Material

Steel with blackened oxide finish or Stainless steel (A4).

Technical Notes

Design engages a threaded shaft without

marring or damaging the thread.

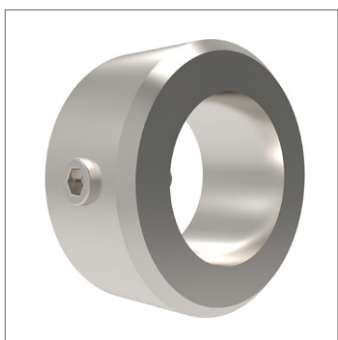
larger.

Important Notes

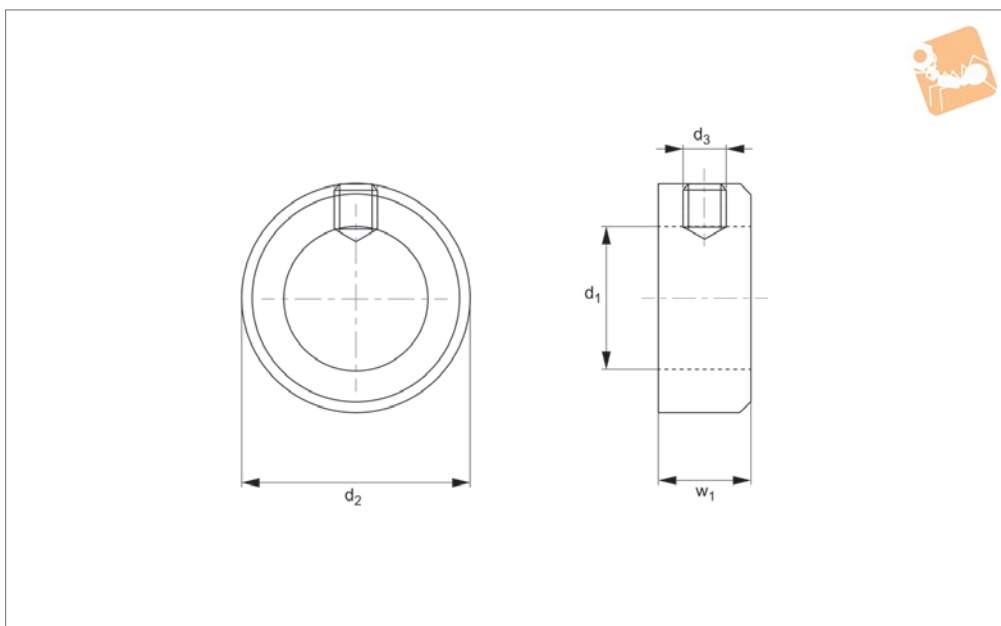
Screw is a through hole for sizes M20 and smaller.

Screw is a blind hole for sizes M24 and

Order No.	d ₁ for thread tol. 6H	d ₂	d ₃	t	w	x . Cap screw max. protrusion	Weight g
R3214.080-BL	M 8	20	M 3	2.1	9	1.0	15
R3214.100-BL	M10	22	M 3	2.1	9	0.8	15
R3214.120-BL	M12	26	M 4	2.1	11	1.6	15
R3214.160-BL	M16	32	M 4	2.1	11	0.7	15
R3214.200-BL	M20	42	M 5	3.0	15	0.6	15
R3214.080-100-BL	M 8 x 1,0	20	M 3	2.1	9	1.0	15
R3214.100-100-BL	M10 x 1,0	22	M 3	2.1	9	0.8	15
R3214.120-150-BL	M12 x 1,5	26	M 4	2.1	11	1.6	15
R3214.160-150-BL	M16 x 1,5	32	M 4	2.1	11	0.7	15
R3214.200-150-BL	M20 x 1,5	42	M 5	3.0	15	0.6	15
R3214.240-150-BL	M24 x 1,5	48	M 5	3.0	15	0.0	15
R3214.300-150-BL	M30 x 1,5	55	M 6	3.0	15	0.4	15
R3214.080-A4	M 8	20	M 3	2.1	9	1.0	15
R3214.100-A4	M10	22	M 3	2.1	9	0.8	15
R3214.120-A4	M12	26	M 4	2.1	11	1.6	15
R3214.160-A4	M16	32	M 4	2.1	11	0.7	15
R3214.200-A4	M20	42	M 5	3.0	15	0.6	15
R3214.080-100-A4	M 8 x 1,0	20	M 3	2.1	9	1.0	15
R3214.100-100-A4	M10 x 1,0	22	M 3	2.1	9	0.8	15
R3214.120-150-A4	M12 x 1,5	26	M 4	2.1	11	1.6	15
R3214.160-150-A4	M16 x 1,5	32	M 4	2.1	11	0.7	15
R3214.200-150-A4	M20 x 1,5	42	M 5	3.0	15	0.6	15
R3214.240-150-A4	M24 x 1,5	48	M 5	3.0	15	0.0	15
R3214.300-150-A4	M30 x 1,5	55	M 6	3.0	15	0.4	15



R3216



Material

Black oxide steel or stainless steel (A2, AISI 303).

Important Notes

Different bore sizes available on request.
For keyways, please add „-KW“ suffix when ordering.

Technical Notes

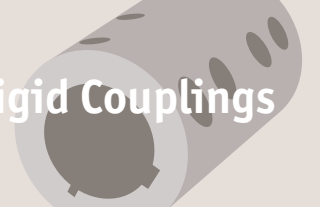
To DIN 705 B, set screw to DIN 914.

Order No.	Material	d_1 tol. H7/H8	d_2 tol. H7/H8	d_3	w
R3216.030-BL	Black oxide steel	3	7	M 2	5
R3216.040-BL	Black oxide steel	4	8	M2,5	5
R3216.050-BL	Black oxide steel	5	10	M 3	6
R3216.060-BL	Black oxide steel	6	12	M 4	8
R3216.080-BL	Black oxide steel	8	16	M 4	8
R3216.100-BL	Black oxide steel	10	20	M 5	10
R3216.120-BL	Black oxide steel	12	22	M 6	12
R3216.150-BL	Black oxide steel	15	25	M 6	12
R3216.200-BL	Black oxide steel	20	32	M 6	14
R3216.250-BL	Black oxide steel	25	40	M 8	16
R3216.300-BL	Black oxide steel	30	45	M 8	16
R3216.350-BL	Black oxide steel	35	56	M 8	16
R3216.400-BL	Black oxide steel	40	63	M10	18
R3216.500-BL	Black oxide steel	50	80	M10	18
R3216.050-A2	Stainless	5	10	M 3	6
R3216.080-A2	Stainless	8	16	M 4	8
R3216.060-A2	Stainless	6	12	M 4	8
R3216.100-A2	Stainless	10	20	M 5	10
R3216.120-A2	Stainless	12	22	M 6	12
R3216.140-A2	Stainless	14	25	M 6	12
R3216.150-A2	Stainless	15	25	M 6	12
R3216.160-A2	Stainless	16	28	M 6	12
R3216.180-A2	Stainless	18	32	M 6	14
R3216.200-A2	Stainless	20	32	M 6	14
R3216.220-A2	Stainless	22	36	M 6	14
R3216.240-A2	Stainless	24	40	M 8	16
R3216.250-A2	Stainless	25	40	M 8	16
R3216.280-A2	Stainless	28	45	M 8	16
R3216.300-A2	Stainless	30	45	M 8	16
R3216.320-A2	Stainless	32	50	M 8	16
R3216.350-A2	Stainless	36	56	M 8	16
R3216.400-A2	Stainless	40	63	M10	18



Set Collars - Hex Set Screw Stainless & Steel

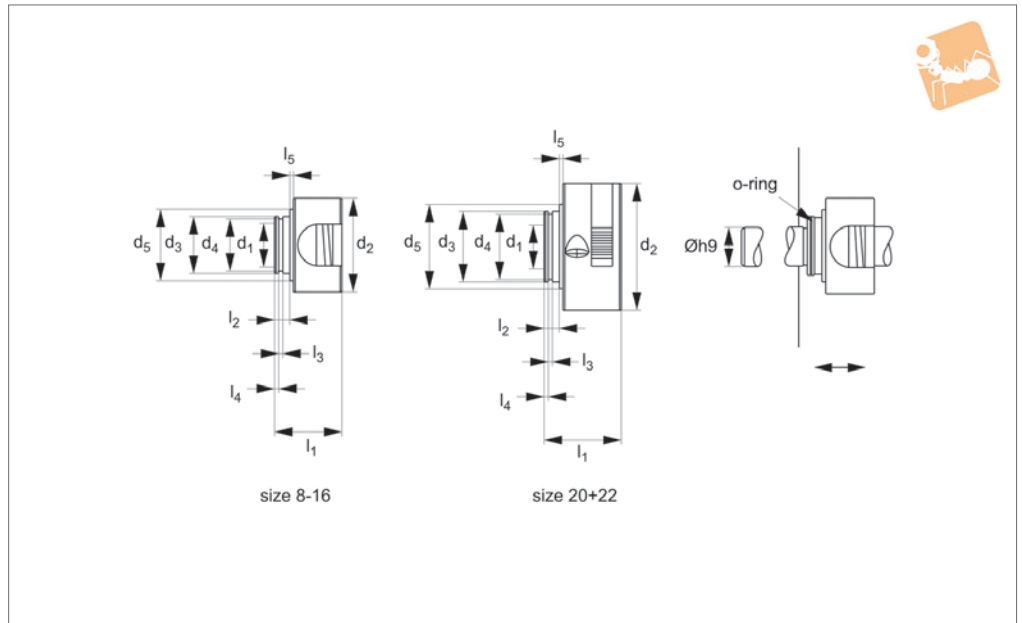
Rigid Couplings



Order No.	Material	d_1 tol. H7/H8	d_2 tol. H7/H8	d_3	w
R3216.450-A2	Stainless	45	70	M10	18
R3216.500-A2	Stainless	50	80	M10	18
R3216.600-A2	Stainless	60	90	M10	20



R3217



Material

Black thermoplastic body, other parts stainless steel. With NBR O ring.

Technical Notes

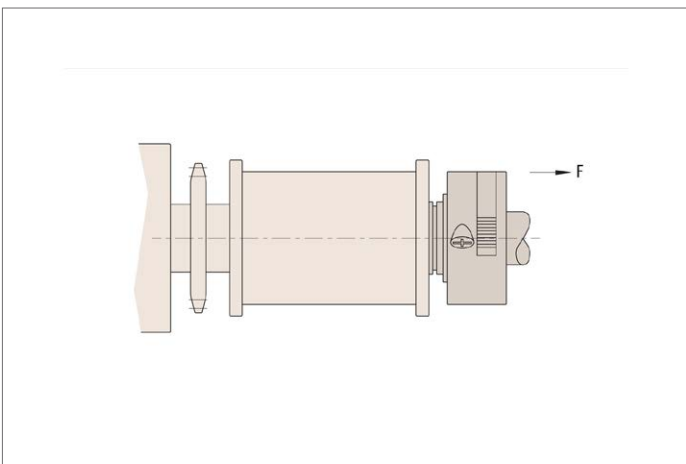
For positioning, clamping and quick

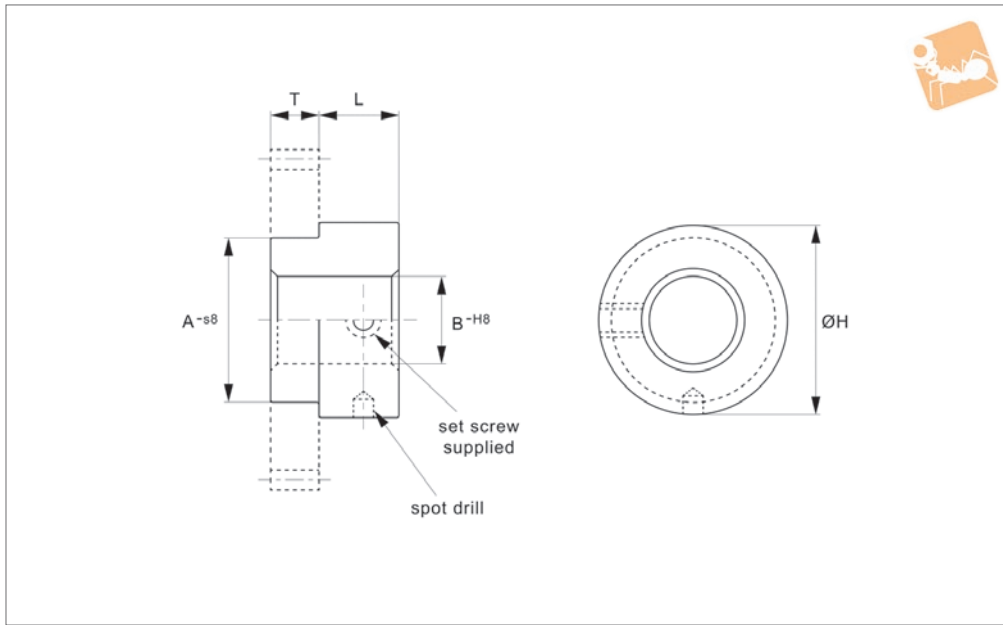
adjustment on shafts.

Clamping and mounting can be achieved using one hand in the pull direction.

Temperature range to 80C, F - axial holding force, one-sided.

Order No.	d_1 tol. H7/H8	d_2 tol. H7/H8	d_3	d_4	d_5	l_1	l_2	l_3	l_4	l_5	O-ring size	Axial force N max.	Weight g
R3217.080	8	40	25	22.4	31	27.5	7	1.7	3.15	0.5	22x1,5	250	31
R3217.100	10	40	25	22.4	31	27.5	7	1.7	3.15	0.5	22x1,5	250	30
R3217.120	12	40	25	22.4	31	27.5	7	1.7	3.15	0.5	22x1,5	350	30
R3217.150	15	40	25	22.4	31	27.5	7	1.7	3.15	0.5	22x1,5	350	28
R3217.160	16	40	25	22.4	31	27.5	7	1.7	3.15	0.5	22x1,5	380	27
R3217.200	20	55	30	27.4	37	32.5	7	1.7	2.65	0.5	27x1,5	320	51
R3217.220	22	55	30	27.4	37	32.5	7	1.7	2.65	0.5	27x1,5	320	50





R3242

RIGID COUPLINGS

Material

Stainless steel DIN 1,4305.

0,013mm.

Fasten component to hub with epoxy cement or stake and dutch pin.

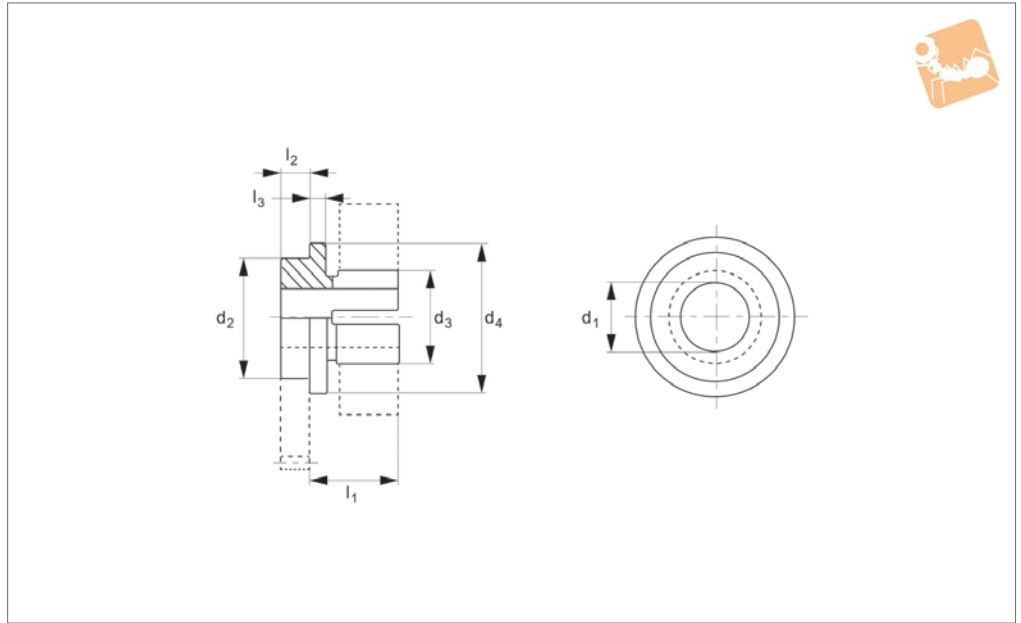
Technical Notes

Diameters A & B are concentric within

Order No.	Bore dia. B	l	Ø A	Ø H	t
R3242.041	4	6	10	13	1.6
R3242.042	4	6	10	13	3.0
R3242.043	4	6	10	13	5.0
R3242.044	4	6	10	13	6.4
R3242.045	4	6	10	13	9.5
R3242.061	6	6	10	13	1.6
R3242.062	6	6	10	13	3.0
R3242.063	6	6	10	13	5.0
R3242.064	6	6	10	13	6.4
R3242.065	6	6	10	13	9.5
R3242.071	7	6	10	13	1.6
R3242.072	7	6	10	13	3.0
R3242.073	7	6	10	13	5.0
R3242.074	7	6	10	13	6.4
R3242.075	7	6	10	13	9.5
R3242.080	8	13	10	20	1.6
R3242.081	8	13	10	20	3.0
R3242.082	8	13	10	20	5.0
R3242.083	8	13	10	20	6.4
R3242.084	8	13	10	20	9.5
R3242.101	10	13	16	20	1.6
R3242.102	10	13	16	20	4.8
R3242.103	10	13	16	20	6.4
R3242.104	10	13	16	20	9.5
R3242.105	10	13	16	20	10.0
R3242.121	12	13	16	20	1.6
R3242.122	12	13	16	20	4.8
R3242.123	12	13	16	20	6.4
R3242.124	12	13	16	20	9.5
R3242.125	12	13	16	20	10.0



R3245



Material

Stainless steel (DIN 1,4305).

Technical Notes

Concentric to bore within 0,013mm.
For clamps see part no. R3250.

Order No.	d ₁ tol. h8	d ₂ tol. S8	d ₃	d ₄	l ₁	l ₂	l ₃	Clamp no. (R3250)
R3245.041	4	10	5.6	12	4.8	1.6	0.8	R3250.041
R3245.042	4	10	5.6	12	4.8	3.0	0.8	R3250.042
R3245.043	4	10	5.6	12	4.8	5.0	0.8	R3250.043
R3245.044	4	10	5.6	12	4.8	6.4	0.8	R3250.044
R3245.045	4	10	5.6	12	4.8	9.5	0.8	R3250.045
R3245.061	6	10	7.6	13	6.2	1.6	1.2	R3250.061
R3245.062	6	10	7.6	13	6.2	3.0	1.2	R3250.062
R3245.063	6	10	7.6	13	6.2	5.0	1.2	R3250.063
R3245.064	6	10	7.6	13	6.2	6.4	1.2	R3250.064
R3245.065	6	10	7.6	13	6.2	9.5	1.2	R3250.065
R3245.071	7	10	8.6	14	6.6	1.6	1.6	R3250.071
R3245.072	7	10	8.6	14	6.6	3.0	1.6	R3250.072
R3245.073	7	10	8.6	14	6.6	5.0	1.6	R3250.073
R3245.074	7	10	8.6	14	6.6	6.4	1.6	R3250.074
R3245.075	7	10	8.6	14	6.6	9.5	1.6	R3250.075
R3245.081	8	10	9.6	16	7.6	1.6	1.6	R3250.081
R3245.082	8	10	9.6	16	7.6	3.0	1.6	R3250.082
R3245.083	8	10	9.6	16	7.6	5.0	1.6	R3250.083
R3245.084	8	10	9.6	16	7.6	6.4	1.6	R3250.084
R3245.085	8	10	9.6	16	7.6	9.5	1.6	R3250.085
R3245.101	10	16	11.6	24	7.6	1.6	1.6	R3250.101
R3245.102	10	16	11.6	24	7.6	4.8	1.6	R3250.102
R3245.103	10	16	11.6	24	7.6	6.4	1.6	R3250.103
R3245.104	10	16	11.6	24	7.6	9.5	1.6	R3250.104
R3245.105	10	16	11.6	24	7.6	10.0	1.6	R3250.105
R3245.121	12	16	13.6	30	9.6	1.6	1.6	R3250.121
R3245.122	12	16	13.6	30	9.6	4.8	1.6	R3250.122
R3245.123	12	16	13.6	30	9.6	6.4	1.6	R3250.123
R3245.124	12	16	13.6	30	9.6	9.5	1.6	R3250.124
R3245.125	12	16	13.6	30	9.6	10.0	1.6	R3250.125