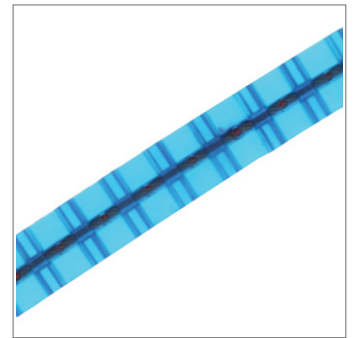
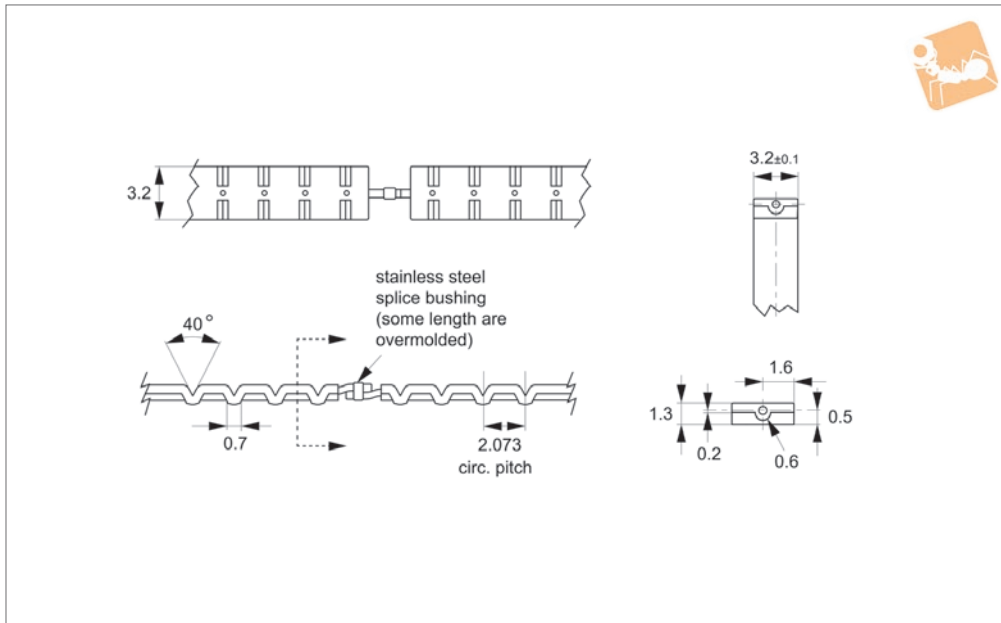




Timing Belts- 9,525mm circular pitch 12,7mm wide

Chains, Belts & Pulleys



R1410

CHAINS, BELTS & PULLEYS

Material

Polyurethane (blue) 90A durometer, Ø1,2mm stainless steel cable. Fibre cable core (aramid) also available (particularly suitable for reverse bend applications).

Technical Notes

No flanges required, infinite lengths, silent

drive, no-walk feature.
No lubrication, compact design, positive drive, light weight, extra strong.
Weight: 38 grams/metre.
Ultimate tensile strength 556N.
Temperature range +82°C to -26°C, recommended operating load 53N.
Recommended max. operating speed

1,91m/s.
* Splices are factory overmolded.

Tips

Field splice kit available (37TB-7).

Important Notes

Operates with R1411 belts.

Order No.	No. of pitches	Length ref.
R1410.020	20	190.5
R1410.022	22	209.5
R1410.024	24	228.6
R1410.026	26	247.6
R1410.028	28	266.7
R1410.030	30	285.7
R1410.033	33	314.3
R1410.036	36	342.9
R1410.040	40	381.0
R1410.045	45	428.6
R1410.050	50	476.2
R1410.056	56	533.4
R1410.060	60	571.5
R1410.064	64	609.6
R1410.068	68	647.7
R1410.072	72	685.8
R1410.080	80	765.0
R1410.086	86	819.1
R1410.092	92	876.3
R1410.098	98	933.4
R1410.100	100	952.5
R1410.104	104	990.6
R1410.108	108	1028.7
R1410.112	112	1066.8
R1410.116	116	1104.9
R1410.120	120	1143.0
R1410.124	124	1181.1
R1410.128	128	1219.2
R1410.132	132	1257.3

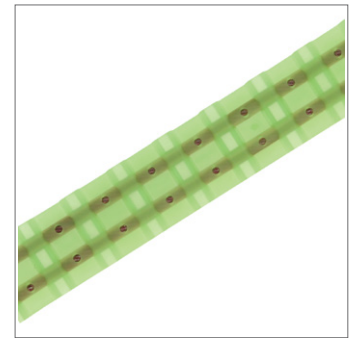
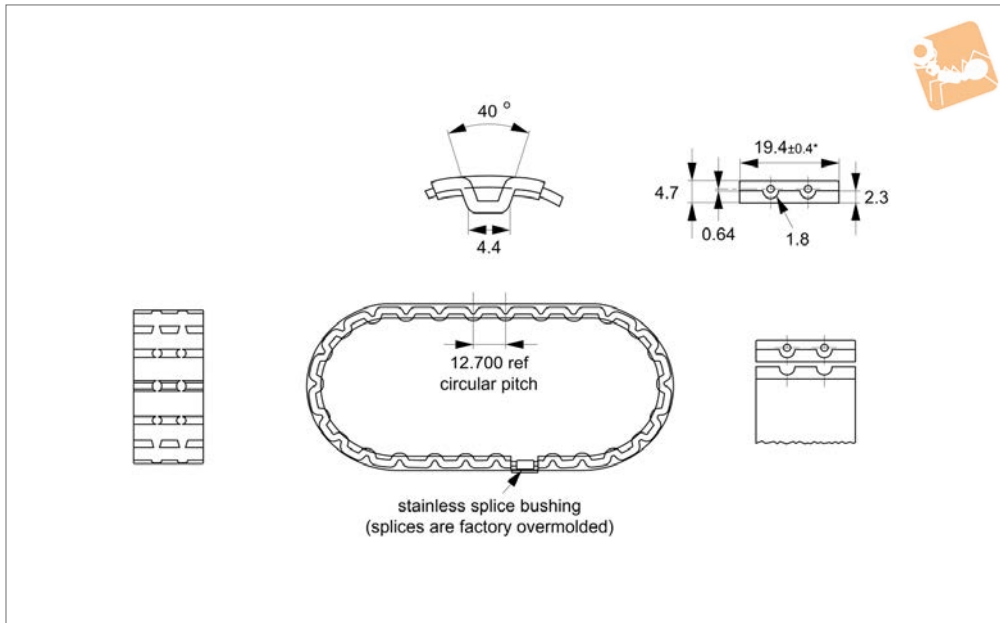


Order No.	No. of pitches	Length ref.
R1410.136	136	1295.4
R1410.140	140	1333.5
R1410.144	144	1371.6
R1410.148	148	1409.7
R1410.152	152	1447.8
R1410.156	156	1485.9
R1410.160	160	1524.0
R1410.176	176	1676.4
R1410-1.5M	-	1,5 metres not spliced
R1410-3.0M	-	3,0 metres not spliced
R1410-7.5M	-	7,5 metres not spliced
R1410-15M	-	15,0 metres not spliced
R1410-30M	-	30,0 metres not spliced



Timing Belts-12,7mm circular pitch

19,4mm wide



R1420

CHAINS, BELTS & PULLEYS

Material

Polyurethane (green) 90A durometer,
 Ø1,6mm stainless steel cable.
 Fibre cable core (aramid) also available
 (particularly suitable for reverse bend
 applications).

Technical Notes

No flanges required, infinite lengths, silent

drive, no-walk feature,
 Compact design, positive drive, light
 weight, extra strong, no lubrication
 Weight: 84 grams/metre.
 Ultimate tensile strength 1335N.
 Temperature range +83°C to -54°C.
 Recommended max. operating speed
 1,91m/s.

* Splices are factory overmoulded.

Tips

Field splice kit available (50TB-7).

Important Notes

Operates with R1421 pulleys.

Order No.	No. of pitches	Length ref.
R1420.032	32	406.4
R1420.036	36	457.2
R1420.040	40	508.0
R1420.044	44	558.8
R1420.048	48	609.6
R1420.050	50	635.0
R1420.054	54	685.8
R1420.056	56	711.0
R1420.060	60	762.0
R1420.064	64	812.8
R1420.066	66	838.2
R1420.070	70	889.0
R1420.072	72	914.4
R1420.075	75	952.5
R1420.078	78	990.6
R1420.080	80	1016.0
R1420.084	84	1066.8
R1420.088	88	1117.6
R1420.090	90	1143.0
R1420.096	96	1219.6
R1420.102	102	1295.4
R1420.108	108	1371.6
R1420.114	114	1447.8
R1420.120	120	1524.0
R1420.126	126	1600.2
R1420.132	132	1676.4
R1420.140	140	1778.0
R1420.150	150	1905.0
R1420.160	160	2032.0



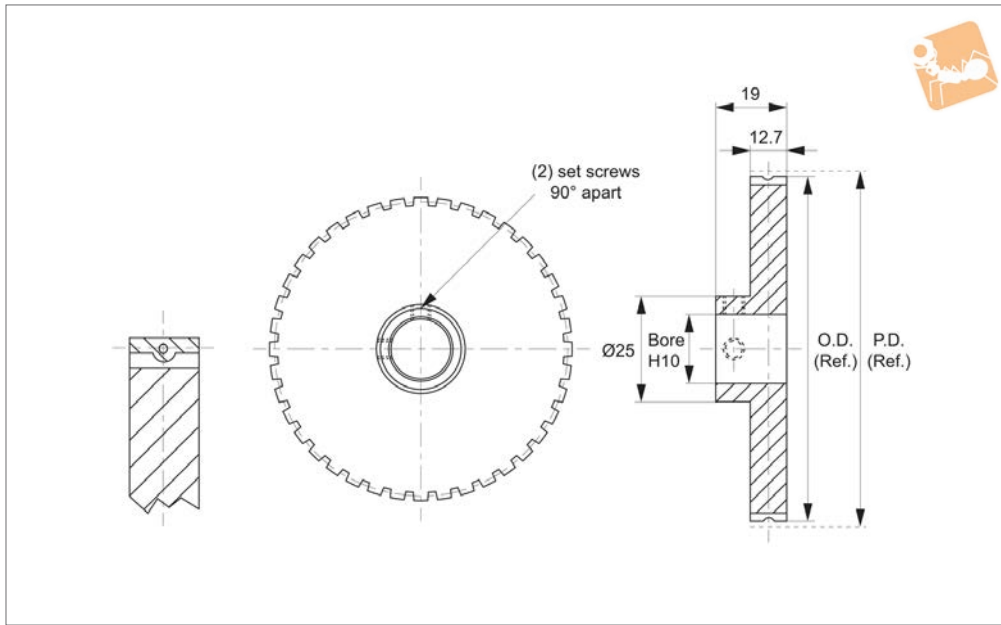
Order No.	No. of pitches	Length ref.
R1420.170	170	2159.0
R1420.180	180	2286.0
R1420.190	190	2413.0
R1420.200	200	2540.0
R1420.225	225	2857.5
R1420.250	250	3175.0
R1420.275	275	3492.5
R1420.400	400	5080.0
R1420-1.5M	-	1,5 metres not spliced
R1420-3.0M	-	3,0 metres not spliced
R1420-7.5M	-	7,5 metres not spliced
R1420-15.0M	-	15,0 metres not spliced
R1420-30.0M	-	30,0 metres not spliced



Timing Pulleys - aluminium

9,525mm nominal circular pitch

Chains, Belts & Pulleys



R1410.1

CHAINS, BELTS & PULLEYS

Material

Aluminium DIN 3,1355 anodized.

use only.

pages.

Technical Notes

¹ Pulleys Ø35,0mm PD and smaller for idler

Other no's of teeth available on request.
For larger sizes, please see following

Important Notes

Operates with R1405 belts.

Order No.	No. of teeth	Bore dia.	Outside dia.	Pitch diameter
R1410.010-08	10	Ø8	29.57	30,32 ¹
R1410.011-08	11	Ø8	32.59	33,35 ¹
R1410.012-08	12	Ø8	35.64	36.38
R1410.013-08	13	Ø8	38.66	39.42
R1410.014-08	14	Ø8	41.71	42.45
R1410.015-08	15	Ø8	44.73	45.48
R1410.016-08	16	Ø8	47.75	48.51
R1410.017-08	17	Ø8	50.80	51.54
R1410.018-08	18	Ø8	53.82	54.57
R1410.019-08	19	Ø8	56.87	57.61
R1410.020-08	20	Ø8	59.89	60.64
R1410.021-08	21	Ø8	62.92	63.67
R1410.022-08	22	Ø8	65.96	66.70
R1410.024-08	24	Ø8	72.01	72.77
R1410.026-08	26	Ø8	78.08	78.83
R1410.028-08	28	Ø8	84.15	84.89
R1410.030-08	30	Ø8	90.22	90.96
R1410.032-08	32	Ø8	96.27	97.02
R1410.036-08	36	Ø8	108.41	109.15
R1410.010-10	10	Ø10	29.57	30,32 ¹
R1410.011-10	11	Ø10	32.59	33,35 ¹
R1410.012-10	12	Ø10	35.64	36.38
R1410.013-10	13	Ø10	38.66	39.42
R1410.014-10	14	Ø10	41.71	42.45
R1410.015-10	15	Ø10	44.73	45.48
R1410.016-10	16	Ø10	47.75	48.51
R1410.017-10	17	Ø10	50.80	51.54
R1410.018-10	18	Ø10	53.82	54.57
R1410.019-10	19	Ø10	56.87	57.61
R1410.020-10	20	Ø10	59.89	60.64
R1410.021-10	21	Ø10	62.92	63.67
R1410.022-10	22	Ø10	65.96	66.70
R1410.024-10	24	Ø10	72.01	72.77
R1410.026-10	26	Ø10	78.08	78.83

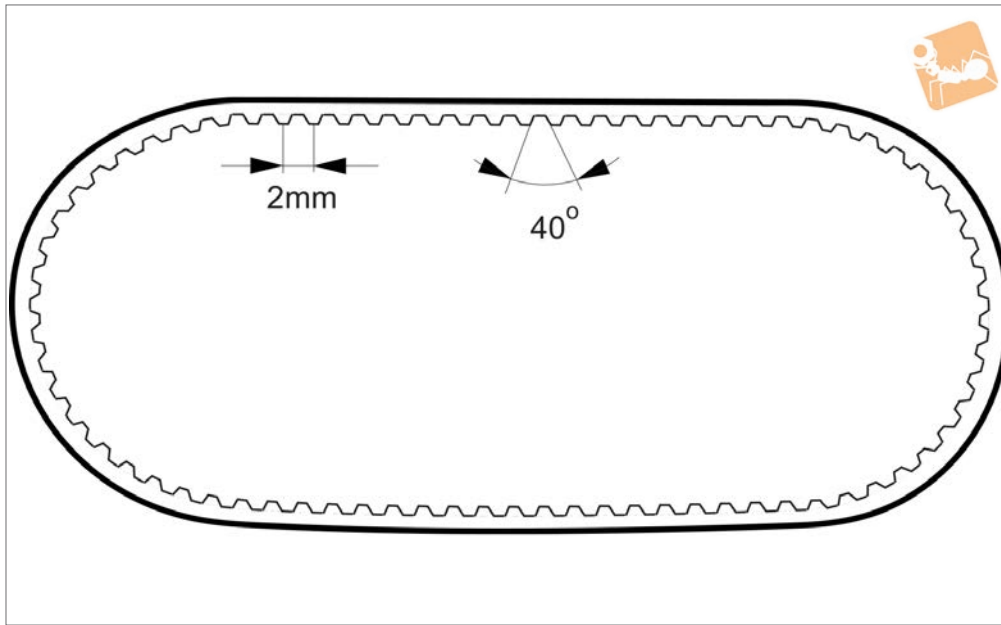


Order No.	No. of teeth	Bore dia.	Outside dia.	Pitch diameter
R1410.028-10	28	Ø10	84.15	84.89
R1410.030-10	30	Ø10	90.22	90.96
R1410.032-10	32	Ø10	96.27	97.02
R1410.036-10	36	Ø10	108.41	109.15
R1410.010-12	10	Ø12	29.57	30.32 ¹
R1410.011-12	11	Ø12	32.59	33.35 ¹
R1410.012-12	12	Ø12	35.64	36.38
R1410.013-12	13	Ø12	38.66	39.42
R1410.014-12	14	Ø12	41.71	42.45
R1410.015-12	15	Ø12	44.73	45.48
R1410.016-12	16	Ø12	47.75	48.51
R1410.017-12	17	Ø12	50.80	51.54
R1410.018-12	18	Ø12	53.82	54.57
R1410.019-12	19	Ø12	56.87	57.61
R1410.020-12	20	Ø12	59.89	60.64
R1410.021-12	21	Ø12	62.92	63.67
R1410.022-12	22	Ø12	65.96	66.70
R1410.024-12	24	Ø12	72.01	72.77
R1410.026-12	26	Ø12	78.08	78.83
R1410.028-12	28	Ø12	84.15	84.89
R1410.030-12	30	Ø12	90.22	90.96
R1410.032-12	32	Ø12	96.27	97.02
R1410.036-12	36	Ø12	108.41	109.15



Timing Belts MXL - 2mm nominal 3mm wide

Chains, Belts & Pulleys



R1430.1

CHAINS, BELTS & PULLEYS

Material

Neoprene (black). Fibreglass reinforced.

Technical Notes

High Ratios.
Allows use of small diameter pulleys.
High speeds.

High power transmission.
Long life.

Wear resistant nylon facing.
Low profile.
Quiet operation.
Max speed up to 20,000 rpm.

Minimum pulley diameter 6,4 (10 grooves).
Temperature range +85°C to -34°C.

Important Notes

Operates with TP3 (R1430) pulleys.

Order No.	No. of grooves	Length ref.
TB7EF2-40	40	81.3
TB7EF2-42	42	85.3
TB7EF2-45	45	91.4
TB7EF2-50	50	101.6
TB7EF2-54	54	109.7
TB7EF2-55	55	111.8
TB7EF2-57	57	115.8
TB7EF2-60	60	121.9
TB7EF2-64	64	130.0
TB7EF2-67	67	136.1
TB7EF2-70	70	142.2
TB7E2-73	73	148.3
TB7EF2-80	80	162.6
TB7EF2-90	90	182.9
TB7EF2-100	100	203.2
TB7EF2-105	105	213.4
TB7EF2-110	110	223.5
TB7EF2-120	120	243.8
TB7EF2-130	130	264.2
TB7EF2-150	150	304.8
TB7EF2-160	160	325.1
TB7EF2-170	170	345.4
TB7EF2-175	175	355.6
TB7EF2-190	190	386.1
TB7EF2-200	200	406.4
TB7EF2-225	225	457.2
TB7EF2-250	250	508.0
TB7EF2-300	300	609.6
TB7EF2-400	400	812.8