

R4030

OTHER ROTARY PARTS

Material

Stainless steel 303, bearing - stainless steel or bronze.

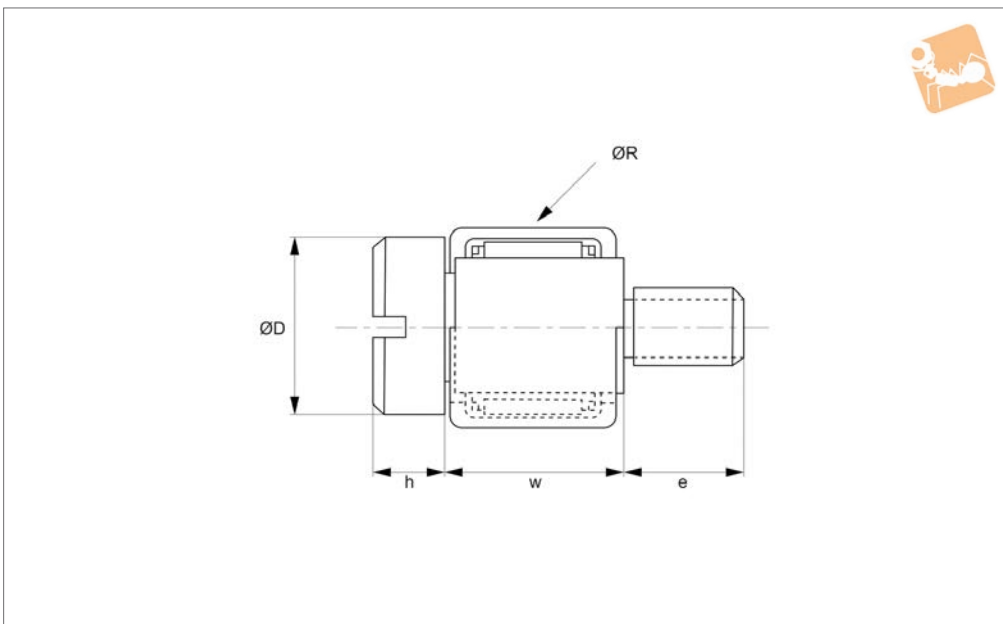
Technical Notes

ABEC 5.

Order No.	Ø R	w	l	d	h	Thread	Bearing
R4030.B07	7	3	12	5	3	M 3x0,5	Ball
R4030.B09	9	4	11	6	3	M 3x0,5	Ball
R4030.B11	11	5	13	8	4	M 4x0,7	Ball
R4030.B13	13	4	14	8	4	M 4x0,7	Ball
R4030.B16	16	5	13	8	4	M 4x0,7	Ball
R4030.B19	19	6	17	10	5	M 5x0,8	Ball
R4030.BR08	8	4	11	6	3	M 3x0,5	Bronze
R4030.BR10	10	5	14	8	4	M 4x0,7	Bronze
R4030.BR13	13	5	14	8	4	M 4x0,7	Bronze
R4030.BR16	16	5	16	10	5	M 5x0,8	Bronze



R4032



Material

Roller cup - case hardened steel.
Needle bearings - hardened steel.

Bearing cage - low carbon steel.
Screw - stainless steel (DIN 1,4005).

Technical Notes

High load, low profile, low friction.

Order No.	Ø R	w	Ø d	h	e	Screw
R4032.008	8.00	8.00	6.0	2.7	4	M3x0,5
R4032.009	9.00	9.00	8.0	4.0	5	M4x0,7
R4032.010	10.00	9.00	8.5	5.0	6	M5x0,8
R4032.012	12.00	10.00	10.5	5.7	11	M6x1,0
R4032.014	14.00	10.00	12.5	6.7	12	M8x1,25
R4032.016	16.00	12.00	14.5	7.7	16	M10x1,50