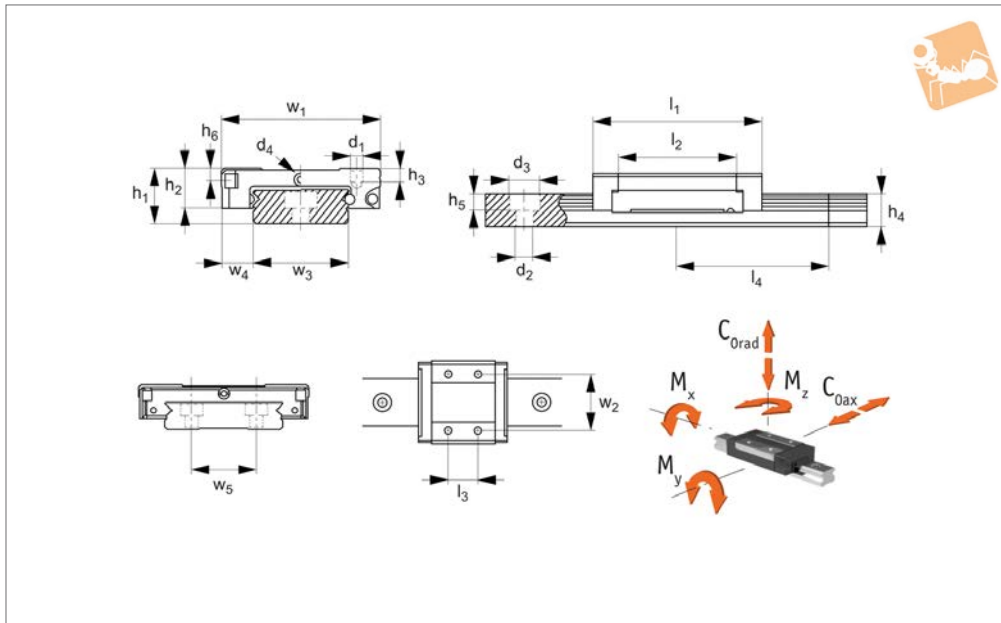




Miniature Rail Carriages

wide version

Linear Guide-ways



L1012.C

LINEAR GUIDEWAYS

Material

Corrosion resistant stainless steel body (440C), with hardened stainless steel ball bearings.
Black plastic end plates and ball bearing retainers.

s².

Temperature range -40°C to +80°C.
Select the size and number of carriages to suit the required load then select the required rail length, (see part nos. L1012.10 through to L1012.42).

(plastic) rail. When mounting carriages onto rail, slide directly from the dummy rail onto the steel rail. Do not simply remove the carriage from the dummy rail - the balls will become loose making the carriage unusable.

Technical Notes

Max.speed 3 m/s. max. acceleration 40m/

Tips

Carriages are supplied with a dummy

Order No.	For rail	l ₁	l ₂	l ₃	l ₄	h ₁	h ₂	h ₃	h ₄	h ₅	h ₆	d ₁	d ₂	d ₃	d ₄	Static load C _{0rad & ax} N	Weight g
L1012.C10	10	21.1	15.1	6.5	20	6.5	5.0	1.5	4	1.6	2.3	M2,5	3.0	5.5	0.9	900	8
L1012.C10L	10	27.2	21.2	11	20	6.5	5.0	1.5	4	1.6	2.3	M2,5	3.0	5.5	0.9	1315	19
L1012.C14	14	31.6	21.2	10	30	9	7.0	3	5.2	3.5	3.2	M3	3.5	6	1.1	2095	27
L1012.C14L	14	40.5	30.1	19	30	9	7.0	3	5.2	3.5	3.2	M3	3.5	6	1.1	3140	37
L1012.C18	18	39.1	27.9	12	30	12	8.6	3.0	7.3	4.5	4.0	M3	3.5	6	1.3	3605	37
L1012.C18L	18	50.7	39.5	24	30	12	8.6	3.0	7.3	4.5	4.0	M3	3.5	6	1.3	4990	57
L1012.C24	24	44.4	31.0	15	40	14	10.1	3.5	8.5	4.5	4.5	M3	4.5	8	1.3	5200	65
L1012.C24L	24	59.4	46.0	28	40	14	10.1	3.5	8.5	4.5	4.5	M3	4.5	8	1.3	7800	93
L1012.C42	42	55.3	38.5	20	40	16	12.0	4.5	9.5	4.5	4.5	M4	4.5	8	1.8	8385	137
L1012.C42L	42	74.4	57.6	35	40	16	12.0	4.5	9.5	4.5	4.5	M4	4.5	8	1.8	12580	200

Order No.	w ₁	w ₂	w ₃	w ₄	w ₅	Dyn. load C _{rad & ax} N	M _x Nm	M _y Nm	M _z Nm
L1012.C10	17	13	10	3.5	-	475	4.6	2.2	2.2
L1012.C10L	17	13	10	3.5	-	615	6.8	4.1	4.1
L1012.C14	25	19	14	5.5	-	1180	15	7.3	7.3
L1012.C14L	25	19	14	5.5	-	1570	22.6	14.9	14.9
L1012.C18	30	21	18	6	-	2030	33.2	13.7	13.7
L1012.C18L	30	23	18	6	-	2550	45.9	26.7	26.7
L1012.C24	40	28	24	8	-	3065	63.7	26.3	26.3
L1012.C24L	40	28	24	8	-	4070	95.6	56.4	56.4
L1012.C42	60	45	42	9	23	5065	171.7	45.7	45.7
L1012.C42L	60	45	42	9	23	6725	257	93.1	93.1



Miniature linear guideway systems are widely used throughout industry for precise, compact applications.

Precise and stainless

The gothic arch shape of the rails have a 45° contact ensuring similar load capacities in all directions. Use of a large number of stainless steel balls enables a high moment and load capacity within a compact space. These smooth running rails have low break-away forces and a low coefficient of friction.

LINEAR GUIDEWAYS

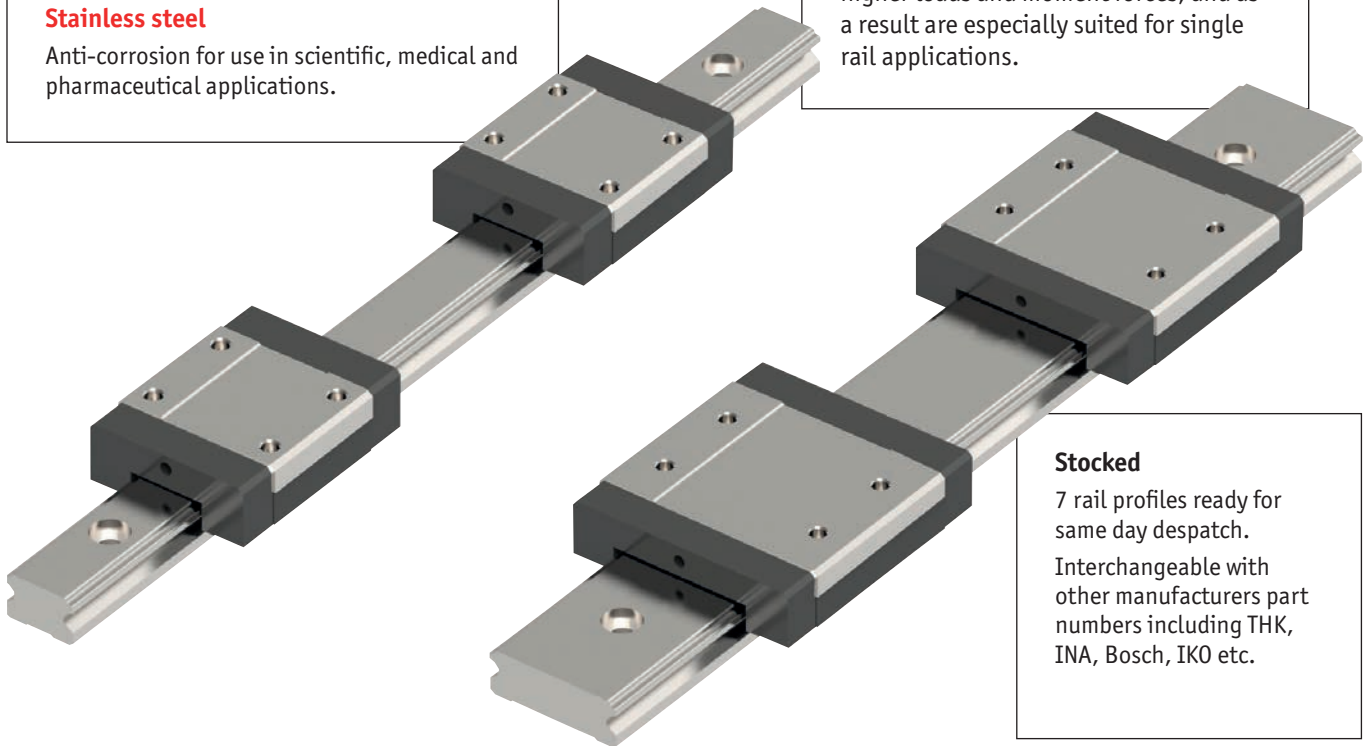
Stainless steel

Anti-corrosion for use in scientific, medical and pharmaceutical applications.

Standard and wide versions

Our standard width is a compact, high performance rail in six sizes.

The wide version can generally accept higher loads and moment forces, and as a result are especially suited for single rail applications.



Stocked

7 rail profiles ready for same day despatch.

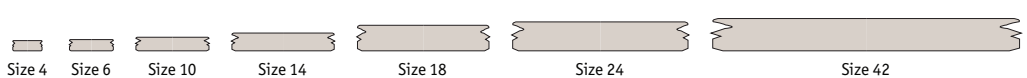
Interchangeable with other manufacturers part numbers including THK, INA, Bosch, IKO etc.

Rail sizes

L1010 Standard Version



L1012 Wide Version





Load capacities – explained

- A number of load figures are stated for load capacity:

Dynamic loads – this is the main figure considered for miniature linear guideways. It is the moving load that the system can bear. It takes account of the total moving load as well as considerations such as impact, vibration and fatigue.

Static loads – this is a load that is constant for an extended time (i.e. the dead load the system can bear before any movement). It can be in tension or compression.

For these miniature linear guideways the radial and axial load capacities are the same.

Moment loads are twisting loads generated by offset loads in either X, Y or Z planes. Moment loads can be reduced by adding further carriages or rails to reduce any twisting of the carriage due to the load offset.

Why is there a standard width and a wide version rail?

- The wider version system is generally used as a single rail system as it can accept higher loads and moment loads, whilst maintaining a very low height.
- The standard width rail can be used either as stand-alone rails or are more frequently used as a pair of rails in parallel.

Straightness of rails

- The measurements of the straightness of the system are taken from the running accuracy of the sliders over the length of the rails (given in microns) – see accuracy and preload page. For standard accuracy this equates to around 15µ for a 300mm length, increasing to 25µ for a 1 metre length.

What lengths can be provided?

- We have standard rail lengths. These are based on the hole pitch of the rails and end machining to provide an equidistant length to the first and last hole centre.
- However we can cut the rail (from stock) to any length required – we just need to know the distance required for the first hole.
- In general our cutting procedures allow for a ±2mm accuracy on the overall rail length. If greater accuracy than this is required then we have to machine the end accurately (rather than cut it) and this involves extra time and cost.
- Standard maximum length for each rail size is around 1 metre. Rails can be joined together but the preparation needs to be made in our workshop. The rails will be marked clearly with the ends to be placed adjacent to each other.

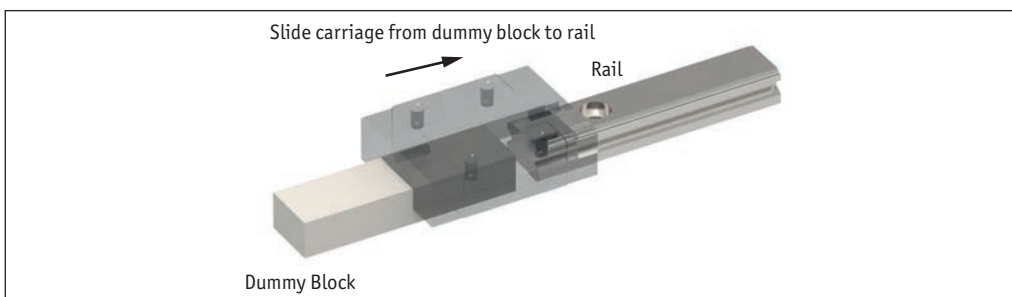
Installation

- The miniature linear guideways are very accurate and as a result need to be installed on accurately prepared surfaces - please see installation instructions. If two rails are installed in parallel, they need to be precisely aligned - see assembly precision page.

Mounting the carriages to the rails

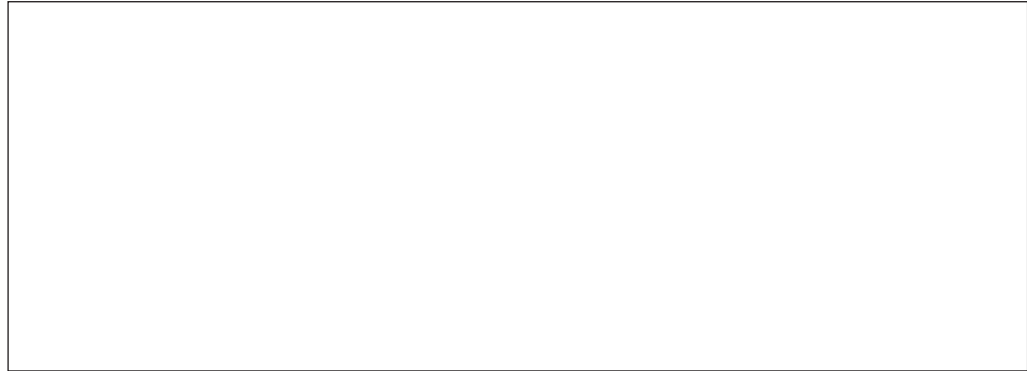
- In general the carriages will be supplied separately to the rails. The carriages are supplied mounted on plastic “dummy” blocks. To install the carriage onto the rails, offer the carriage (still on its dummy block) up to the rails and slide off the dummy block and onto the rail itself.

Do not simply remove the carriage from the dummy block, as some of the bearings might become displaced, rendering the carriage unusable.





Precision



	Dimensions	μ
h_1	Height tolerance h_1	± 40
h_1	Permissible height difference of different carriages at the same position on the rail	25
W_4	Width tolerance w_4	± 40
W_4	Permissible width difference of different carriages at the same position on the rail	30

Running accuracy

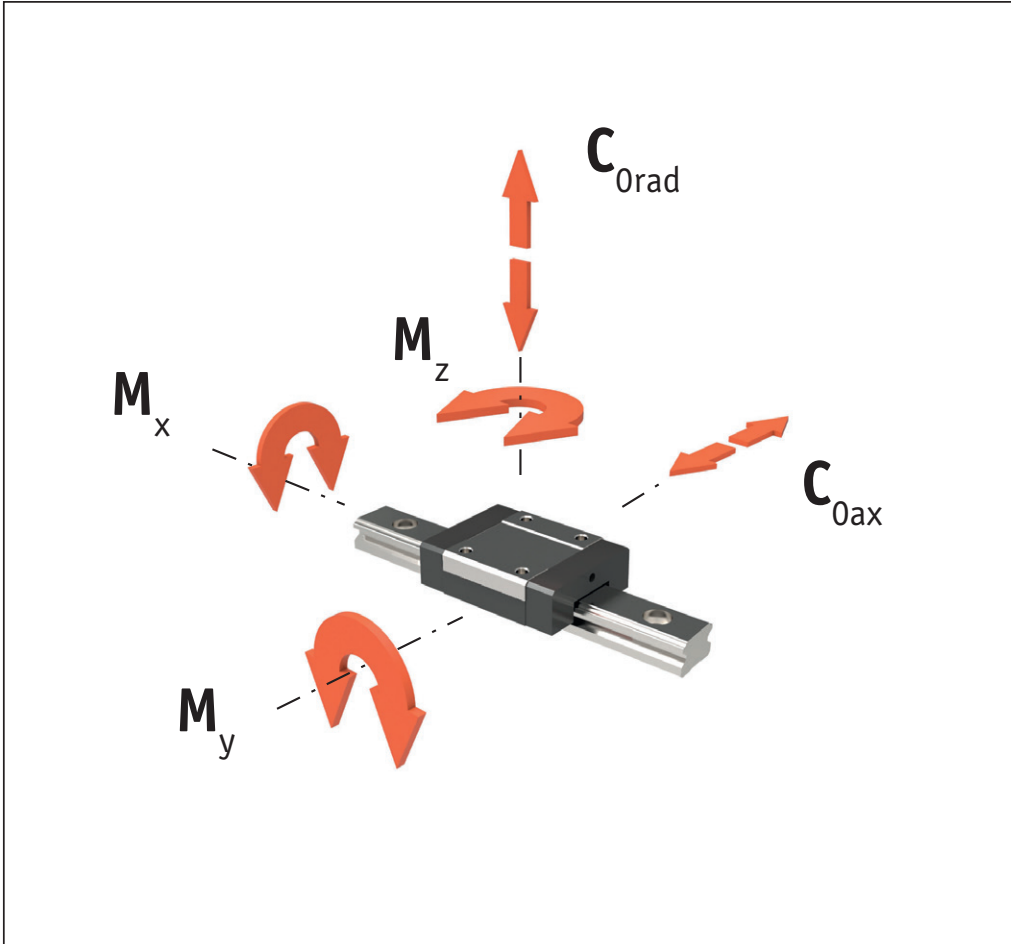
Preload

The miniature linear guideways are available in the two different preload classes K_0 and K_5 . The preload influences the rigidity, precision and torque resistance as well as offering the product service life and displacement force. The standard preload is K_0 .

Type	Preload classes	
	Small K_0	Standard K_5
	Very quiet running (μ)	Quiet and precise running (μ)
L1010.03 & L1012.06	+3 to 0	+1 to 0
L1010.05 & L1012.10	+3 to 0	+1 to 0
L1010.07 & L1012.14	+4 to 0	+2 to 0
L1010.09 & L1012.18	+4 to 0	+2 to 0
L1010.12 & L1012.24	+5 to 0	+2 to 0
L1010.15 & L1012.42	+6 to 0	+3 to 0



L1010 - Standard width



Type	Max. load capacities		Max. static moment loads		
	dyn. C_{rad} & C_{ax} N	stat. C_{0rad} & C_{0ax} N	M_x Nm	M_y Nm	M_z Nm
L1010.C03	190	310	0,6	0,4	0,4
L1010.C03L	295	575	0,9	1,1	1,1
L1010.C05	335	550	1,7	1,0	1,0
L1010.C05L	470	900	2,4	2,1	2,1
L1010.C07	890	1400	5,2	3,3	3,3
L1010.C07L	1310	2440	9,0	7,7	7,7
L1010.C09	1570	2495	11,7	6,4	6,4
L1010.C09L	2135	3880	18,2	12,4	12,4s
L1010.C12	2308	3465	21,5	12,9	12,9
L1010.C12L	3240	5630	34,9	30,2	30,2
L1010.C15	3810	5590	43,6	27,0	27,0
L1010.C15L	5350	9080	70,0	63,0	63,0

Miniature Linear Guideways from Automation Components

LINEAR GUIDEWAYS