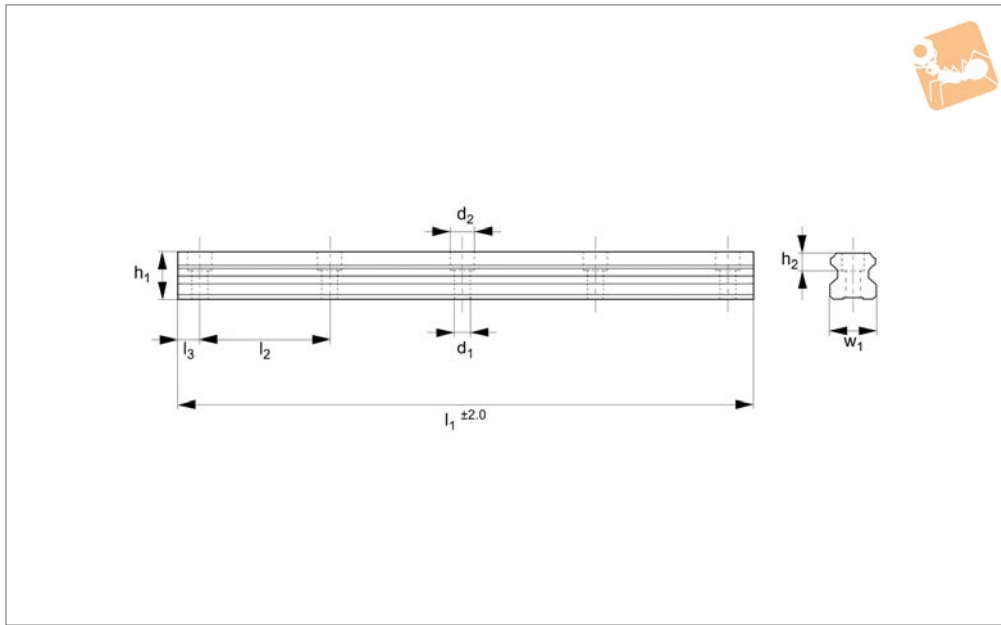




35mm Linear Guide Rail

standard

Linear Guide-ways



L1016.35

LINEAR GUIDEWAYS

Material

Hardened and ground steel (typically 60 HRC).

part nos. L1016.F (flanged) and L1016.U (unflanged).

Other rail lengths on request.
Weight: 7,2 Kg/m.

Tips

Plastic screw covers issued with the rails to protect the holes from debris.

Technical Notes

For carriages to suit the required load see

Order No.	Rail size	l_1	h_1	l_2	w_1	l_3	h_2	d_1	d_2	For screws	Weight kg
L1016.35-0200	35	200	26.0	80	34	20	12	9	14	M8	1.44
L1016.35-0280	35	280	26.0	80	34	20	12	9	14	M8	2.02
L1016.35-0360	35	360	26.0	80	34	20	12	9	14	M8	2.59
L1016.35-0440	35	440	26.0	80	34	20	12	9	14	M8	3.17
L1016.35-0520	35	520	26.0	80	34	20	12	9	14	M8	3.74
L1016.35-0600	35	600	26.0	80	34	20	12	9	14	M8	4.32
L1016.35-0680	35	680	26.0	80	34	20	12	9	14	M8	4.90
L1016.35-0760	35	760	26.0	80	34	20	12	9	14	M8	5.47
L1016.35-0840	35	840	26.0	80	34	20	12	9	14	M8	6.05
L1016.35-0920	35	920	26.0	80	34	20	12	9	14	M8	6.62
L1016.35-1000	35	1000	26.0	80	34	20	12	9	14	M8	7.20
L1016.35-1080	35	1080	26.0	80	34	20	12	9	14	M8	7.78
L1016.35-1160	35	1160	26.0	80	34	20	12	9	14	M8	8.35
L1016.35-1240	35	1240	26.0	80	34	20	12	9	14	M8	8.93
L1016.35-1320	35	1320	26.0	80	34	20	12	9	14	M8	9.50
L1016.35-1400	35	1400	26.0	80	34	20	12	9	14	M8	10.08
L1016.35-1480	35	1480	26.0	80	34	20	12	9	14	M8	10.66
L1016.35-1560	35	1560	26.0	80	34	20	12	9	14	M8	11.23
L1016.35-1640	35	1640	26.0	80	34	20	12	9	14	M8	11.81
L1016.35-1720	35	1720	26.0	80	34	20	12	9	14	M8	12.38
L1016.35-1800	35	1800	26.0	80	34	20	12	9	14	M8	12.96
L1016.35-1880	35	1880	26.0	80	34	20	12	9	14	M8	13.54
L1016.35-1960	35	1960	26.0	80	34	20	12	9	14	M8	14.11
L1016.35-2040	35	2040	26.0	80	34	20	12	9	14	M8	14.69
L1016.35-2120	35	2120	26.0	80	34	20	12	9	14	M8	15.26
L1016.35-2200	35	2200	26.0	80	34	20	12	9	14	M8	15.84
L1016.35-2280	35	2280	26.0	80	34	20	12	9	14	M8	16.42
L1016.35-2360	35	2360	26.0	80	34	20	12	9	14	M8	16.99
L1016.35-2440	35	2440	26.0	80	34	20	12	9	14	M8	17.57
L1016.35-2520	35	2520	26.0	80	34	20	12	9	14	M8	18.14
L1016.35-2600	35	2600	26.0	80	34	20	12	9	14	M8	18.72
L1016.35-2680	35	2680	26.0	80	34	20	12	9	14	M8	19.30



Order No.	Rail size	l_1	h_1	l_2	w_1	l_3	h_2	d_1	d_2	For screws	Weight kg
L1016.35-2760	35	2760	26.0	80	34	20	12	9	14	M8	19.87
L1016.35-2840	35	2840	26.0	80	34	20	12	9	14	M8	20.45
L1016.35-2920	35	2920	26.0	80	34	20	12	9	14	M8	21.02
L1016.35-3000	35	3000	26.0	80	34	20	12	9	14	M8	21.60
L1016.35-3080	35	3080	26.0	80	34	20	12	9	14	M8	22.18
L1016.35-3160	35	3160	26.0	80	34	20	12	9	14	M8	22.75
L1016.35-3240	35	3240	26.0	80	34	20	12	9	14	M8	23.33
L1016.35-3320	35	3320	26.0	80	34	20	12	9	14	M8	23.90
L1016.35-3400	35	3400	26.0	80	34	20	12	9	14	M8	24.48
L1016.35-3480	35	3480	26.0	80	34	20	12	9	14	M8	25.06
L1016.35-3560	35	3560	26.0	80	34	20	12	9	14	M8	25.63
L1016.35-3640	35	3640	26.0	80	34	20	12	9	14	M8	26.21
L1016.35-3720	35	3720	26.0	80	34	20	12	9	14	M8	26.78
L1016.35-3800	35	3800	26.0	80	34	20	12	9	14	M8	27.36
L1016.35-3880	35	3880	26.0	80	34	20	12	9	14	M8	27.94
L1016.35-3960	35	3960	26.0	80	34	20	12	9	14	M8	28.51
L1016.35-4000	35	4000	26.0	80	34	20	12	9	14	M8	28.80

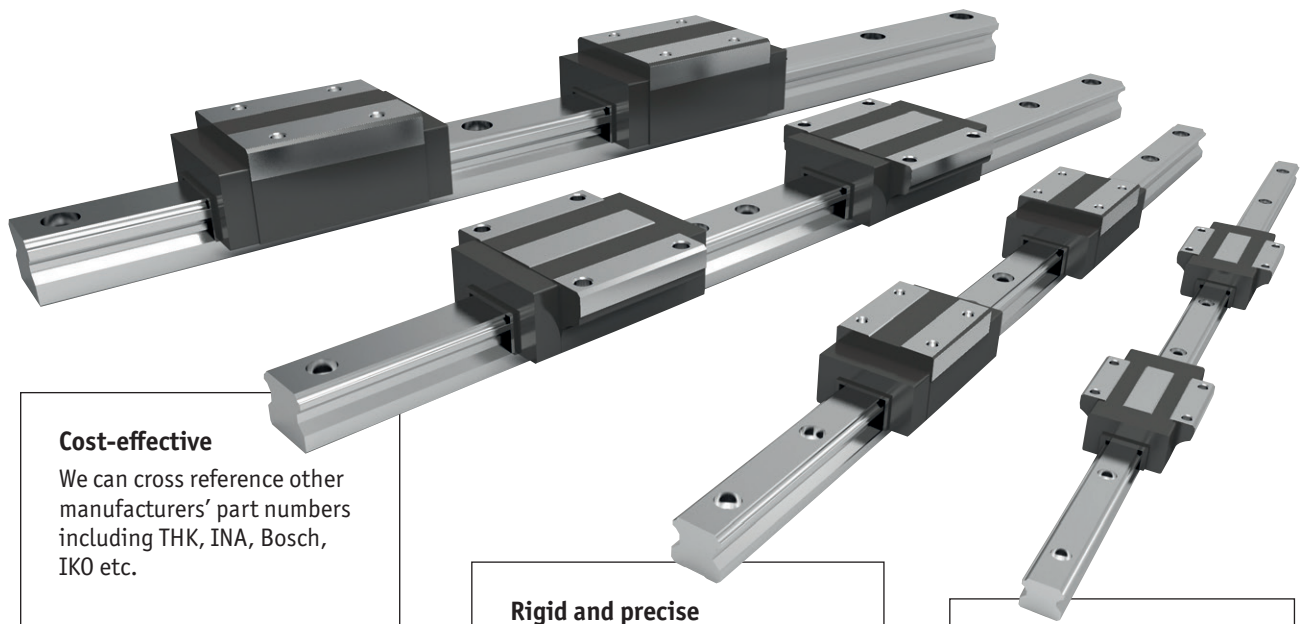


L1016 Linear guideways

Linear guideways are widely used throughout industry for heavy-duty and precise applications.

Precision high load rails

The use of steel balls and the design of the carriages and guideways mean that the rails can accept very heavy loads and significant moment loads. Our rails have circular as opposed to friction coefficient, lower driving resistance, lower wear and lower energy consumption.



Cost-effective

We can cross reference other manufacturers' part numbers including THK, INA, Bosch, IKO etc.

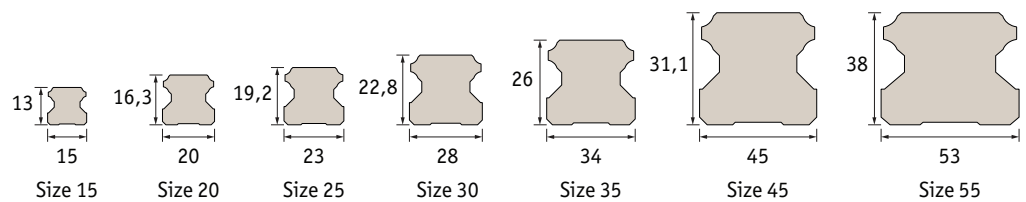
Rigid and precise

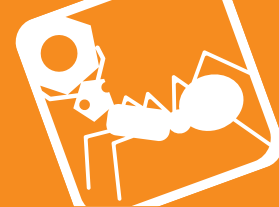
- High load rating.
- High moment load capacity.

Stocked

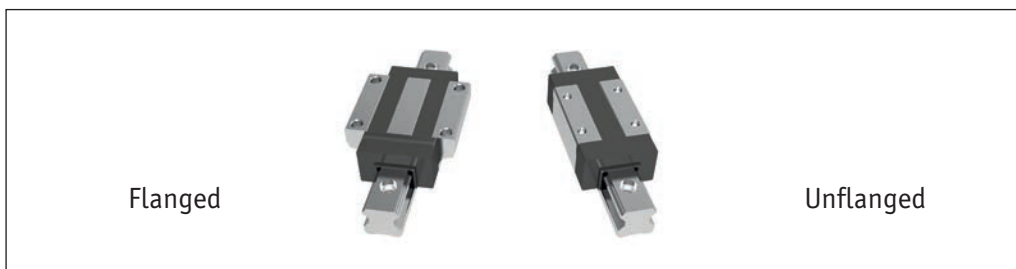
7 rail profiles ready for same day despatch. Lengths up to 4 metres.

Rail sizes

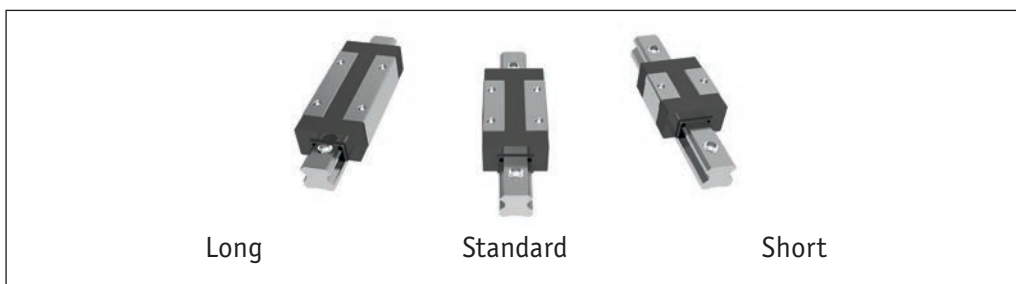




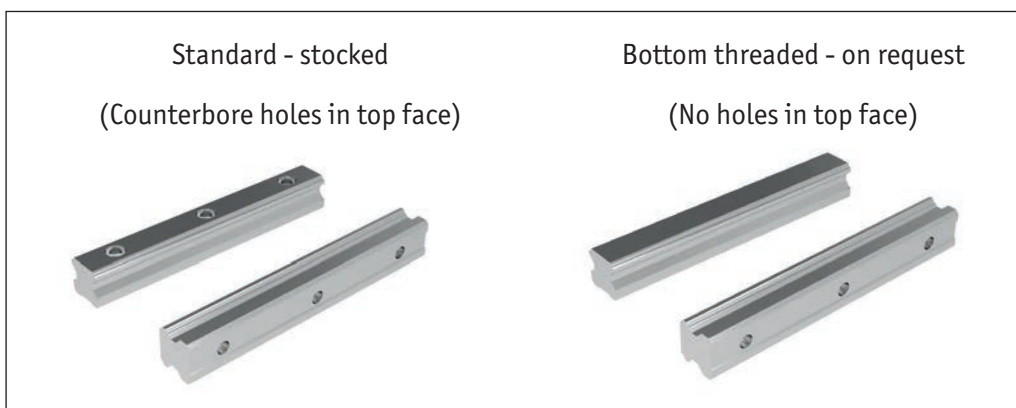
- Carriage types



Carriage lengths



Rail types



Linear Guideways from Automation Components

CAD - Download in 3 easy steps

Most of our products are available to download directly from our website. Get the CAD you need for your application in minutes, no registration required.

<p>Step 1: find the part you need</p> <p>Find the part or enter the Automation part number into the search bar.</p>	
<p>Step 2: Choose the CAD option</p> <p>Click on the CAD button below the product window to the right of the drawing.</p>	
<p>Step 3: Download your format</p> <p>Choose the the format you require, and download it to your computer.</p>	

Load capacities – explained

- A number of load figures are stated for load capacity:

Dynamic Load – this is the main figure considered for linear guideways. It is the moving load that the system can bear. It takes account of the total moving load as well as considerations such as impact, vibration and fatigue.

Static Load – this is a load that is constant for an extended time (i.e. the dead load the system can bear before any movement). It can be in tension or compression.

For these linear guideways the radial and axial load capacities are the same.

Moment loads are twisting loads generated by offset loads in either X, Y or Z planes. Moment loads can be reduced by adding further carriages or rails to reduce any twisting of the carriage due to the load offset.

Straightness of rails

- The measurements of the straightness of the system are taken from the running accuracy of the sliders over the length of the rails (given in microns) – see system precision page.
- For standard accuracy this equates to around 20 microns for a metre length, increasing to 35 microns for a 4 metre length.

What lengths can be provided?

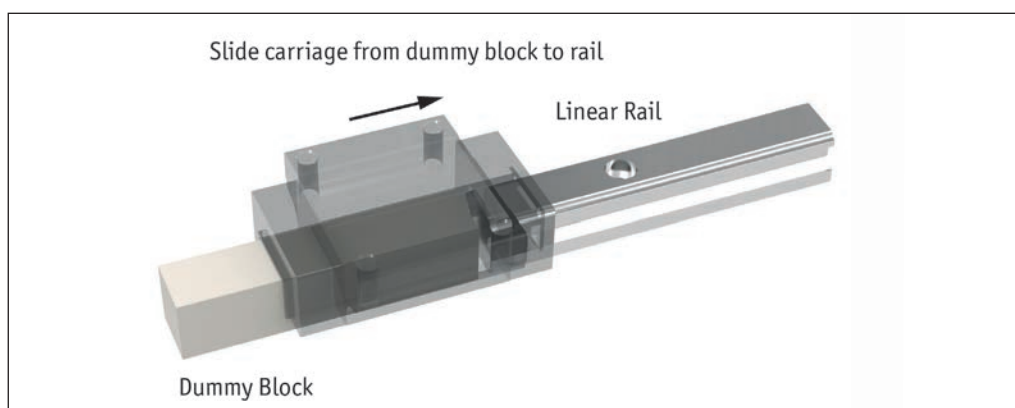
- We have standard rail lengths. These are based on the hole pitch of the rails and end machining to provide an equidistant length to the first and last hole centre.
- However we can cut the rail (from stock) to any length required – we just need to know the distance required to the first hole.
- In general our cutting procedures allow for a ± 2 mm accuracy on the overall rail length. If greater accuracy than this is required then we have to machine the end accurately (rather than cut it) and this involves extra time and cost.
- Standard maximum length for each rail size is around 4 metres. Rails can be joined together but the preparation needs to be made in our workshop. The rails will be marked clearly with the ends to be placed adjacent to each other.

Installation

- The linear guideways are very accurate and as a result need to be installed on accurately prepared surfaces – please see installation instructions. If the two rails are installed parallel to each other, they need to be accurately aligned – see assembly precision page.
- If you are not able to prepare the surface as accurately as required you might want to consider using our Compact Rail system, as this has a master rail (T rail) and a slave rail (U rail) that allows for structural inaccuracies.

Mounting the carriages to the rails

- In general the carriages will be supplied separately to the rails. To install the carriage onto the rails, offer the carriage up to the rails and slide it onto the rail itself.

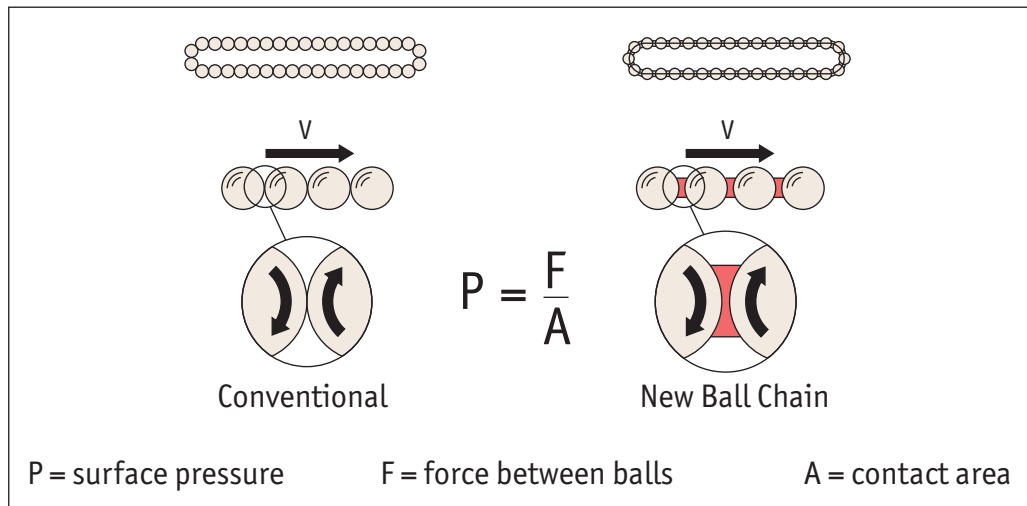




New ball chain technology

Our new and improved linear guideway systems include the latest “ball chain” technology with the following benefits:

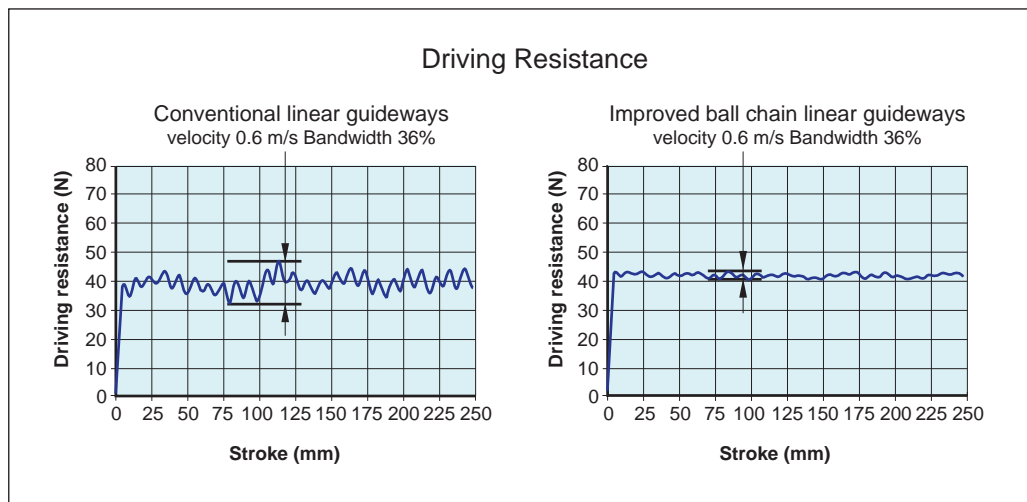
- Higher maximum velocity.
- Lower heat generation
- Lower noise generation.
- Very smooth running.
- Optimised lubrication system
- Even load distribution
- Longer service life



The rotating balls in conventional profile rail guides have point contact between each other. The rotation speed at the contact point is double the speed of the balls. The contact area (A) is so small that the surface pressure (P) tends towards infinity. This leads to heating and wear of the balls and the linear guide system.

The chain system in our new linear guides have a relatively large contact area (A), this significantly reduces the surface area pressure (P). The rotation speeds at the contact surfaces of ball and chain are the same. The ball chain is used to transport the lubricant and to create a lubrication film on the balls. The design of the carriage allows effective supply of lubricant from the lubricant connection to the circulation areas of the ball chains.

This design of the of the ball chain ends in connection with the spacer ball closes the circulation and makes the movement of the carriage smooth and quiet.



Linear Guideways from Automation Components

LINEAR GUIDEWAYS