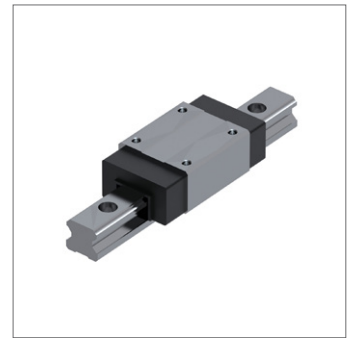
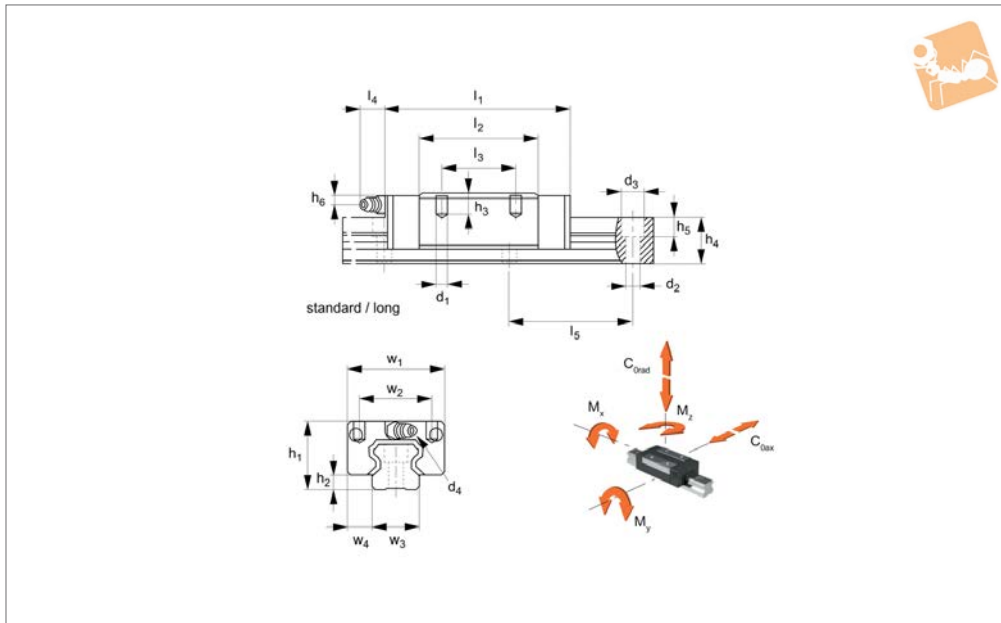




Unflanged Carriages - Standard no ball cage

Linear Guide-
ways



L1016.U-NC

LINEAR GUIDEWAYS

Material

Hardened and ground steel.

Technical Notes

Select the size and number of carriages to

suit the required load then select the required rail length, (see part nos. L1016.15 through to L1016.30) Standard preload carriages are K_0 (no

preload) or K_1 (0,02 x dynamic load capacity). Other preloads available on request.

Order No.	Rail size	l_1	h_1	l_2	w_1	l_3	h_2	h_3	h_4	d_1	h_5	d_2	h_6	w_2	w_3	w_4	l_4	Weight g
L1016.U15-NC	15	58.6	28	40.2	34	26	3.3	6.0	13.0	M 4	6.0	4.5	9.5	26	15	9.5	5.0	190
L1016.U20-NC	20	69.3	30	48.5	44	36	4.5	6.5	16.3	M 5	8.5	6.0	7.1	32	20	12.0	15.6	310
L1016.U25-NC	25	79.2	40	57.5	48	35	5.8	9.0	19.2	M 6	9.0	7.0	14.2	35	23	12.5	15.6	450
L1016.U30-NC	30	94.8	45	67.8	60	40	7.0	12.0	22.8	M 8	12.0	9.0	13.0	40	28	16.0	15.6	910

Order No.	l_5	d_3	d_4	M_x Nm	M_y Nm	M_z Nm	Dyn. load C kN	Static load $C_{Orad \& ax}$ kN
L1016.U15-NC	60	7.5	M 3x0,5	137	120	120	11.67	19.90
L1016.U20-NC	60	9.5	M 6x1,0	289	224	224	17.98	30.96
L1016.U25-NC	60	11.0	M 6x1,0	447	358	358	25.25	41.73
L1016.U30-NC	80	14.0	M 6x1,0	719	560	560	37.33	55.50