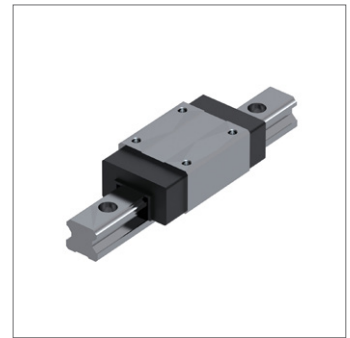
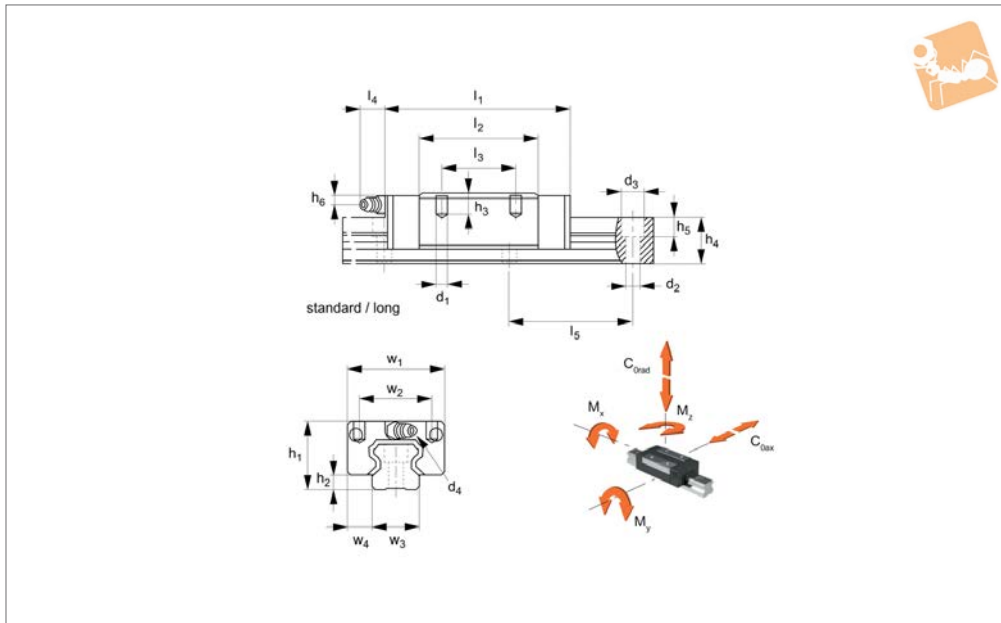
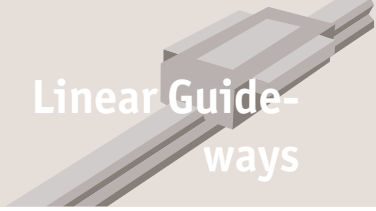




Unflanged Carriages - Standard with retained ball cage

Linear Guide-
ways



L1016.U

LINEAR GUIDEWAYS

Material

Hardened and ground steel.

Technical Notes

Select the size and number of carriages to suit the required load then select the

required rail length, (see part nos. L1016.15 through to L1016.55). Standard preload carriages are K_0 (no preload) or K_1 (0,02 x dynamic load capacity). Other preloads available on request.

Tips

Improved version with ball cages allowing the carriages to be removed from the rail without the balls falling out.

| Order No. | Rail size | l_1 | h_1 | l_2 | w_1 | l_3 | h_2 | h_3 | h_4 | d_1 | h_5 | d_2 | h_6 | w_2 | w_3 | w_4 | l_4 | Weight kg |
|--------------|-----------|-------|-------|-------|-------|-------|-------|-------|-------|-------|-------|-------|-------|-------|-------|-------|-------|-----------|
| L1016.U15 | 15 | 58.6 | 28 | 40.2 | 34 | 26 | 3.3 | 6.0 | 13.0 | M 4 | 6.0 | 4.5 | 9.5 | 26 | 15 | 9.5 | 5.0 | 0.19 |
| L1016.U20 | 20 | 69.3 | 30 | 48.5 | 44 | 36 | 4.5 | 6.5 | 16.3 | M 5 | 8.5 | 6.0 | 7.1 | 32 | 20 | 12.0 | 15.6 | 0.31 |
| L1016.U20-L | 20 | 82.1 | 30 | 61.3 | 44 | 36 | 4.5 | 6.5 | 16.3 | M 5 | 8.5 | 6.0 | 7.1 | 32 | 20 | 12.0 | 15.6 | 0.36 |
| L1016.U25 | 25 | 79.2 | 40 | 57.5 | 48 | 35 | 5.8 | 9.0 | 19.2 | M 6 | 9.0 | 7.0 | 14.2 | 35 | 23 | 12.5 | 15.6 | 0.45 |
| L1016.U25-L | 25 | 93.9 | 40 | 72.2 | 48 | 35 | 5.8 | 9.0 | 19.2 | M 6 | 9.0 | 7.0 | 14.2 | 35 | 23 | 12.5 | 15.6 | 0.66 |
| L1016.U25-XL | 25 | 108.6 | 40 | 86.9 | 48 | 50 | 5.8 | 9.0 | 19.2 | M 6 | 9.0 | 7.0 | 14.2 | 35 | 23 | 12.5 | 15.6 | 0.80 |
| L1016.U30 | 30 | 94.8 | 45 | 67.8 | 60 | 40 | 7.0 | 12.0 | 22.8 | M 8 | 12.0 | 9.0 | 13.0 | 40 | 28 | 16.0 | 15.6 | 0.91 |
| L1016.U30-L | 30 | 105.0 | 45 | 78.0 | 60 | 40 | 7.0 | 12.0 | 22.8 | M 8 | 12.0 | 9.0 | 13.0 | 40 | 28 | 16.0 | 15.6 | 1.04 |
| L1016.U30-XL | 30 | 130.5 | 45 | 103.5 | 60 | 60 | 7.0 | 12.0 | 22.8 | M 8 | 12.0 | 9.0 | 13.0 | 40 | 28 | 16.0 | 15.6 | 1.36 |
| L1016.U35 | 35 | 111.5 | 55 | 80.5 | 70 | 50 | 7.5 | 12.0 | 26.0 | M 8 | 12.0 | 9.0 | 18.5 | 50 | 34 | 18.0 | 15.6 | 1.50 |
| L1016.U35-L | 35 | 123.5 | 55 | 92.5 | 70 | 50 | 7.5 | 12.0 | 26.0 | M 8 | 12.0 | 9.0 | 18.5 | 50 | 34 | 18.0 | 15.6 | 1.80 |
| L1016.U35-XL | 35 | 153.5 | 55 | 122.5 | 70 | 72 | 7.5 | 12.0 | 26.0 | M 8 | 12.0 | 9.0 | 18.5 | 50 | 34 | 18.0 | 15.6 | 2.34 |
| L1016.U45 | 45 | 129.0 | 70 | 94.0 | 86 | 60 | 8.9 | 18.0 | 31.1 | M10 | 17.0 | 14.0 | 24.5 | 60 | 45 | 20.5 | 16.0 | 2.28 |
| L1016.U45-L | 45 | 145.0 | 70 | 110.0 | 86 | 60 | 8.9 | 18.0 | 31.1 | M10 | 17.0 | 14.0 | 24.5 | 60 | 45 | 20.5 | 16.0 | 2.67 |
| L1016.U45-XL | 45 | 174.0 | 70 | 139.0 | 86 | 80 | 8.9 | 18.0 | 31.1 | M10 | 17.0 | 14.0 | 24.5 | 60 | 45 | 20.5 | 16.0 | 3.35 |
| L1016.U55 | 55 | 155.0 | 80 | 116.0 | 100 | 75 | 12.7 | 22.0 | 38.0 | M12 | 20.0 | 16.0 | 24.0 | 75 | 53 | 23.5 | 16.0 | 3.42 |
| L1016.U55-L | 55 | 193.0 | 80 | 154.0 | 100 | 75 | 12.7 | 22.0 | 38.0 | M12 | 20.0 | 16.0 | 24.0 | 75 | 53 | 23.5 | 16.0 | 4.57 |
| L1016.U55-XL | 55 | 210.0 | 80 | 171.0 | 100 | 95 | 12.7 | 22.0 | 38.0 | M12 | 20.0 | 16.0 | 24.0 | 75 | 53 | 23.5 | 16.0 | 5.08 |

| Order No. | l_5 | d_3 | d_4 | M_x Nm | M_y Nm | M_z Nm | Dyn. load $C_{rad \& ax}$ kN | Static load $C_{0rad \& ax}$ kN |
|--------------|-------|-------|----------|----------|----------|----------|------------------------------|---------------------------------|
| L1016.U15 | 60 | 7.5 | M3 x 0,5 | 137 | 120 | 120 | 11.67 | 19.90 |
| L1016.U20 | 60 | 9.5 | M6 x 1,0 | 289 | 224 | 224 | 17.98 | 30.96 |
| L1016.U20-L | 60 | 9.5 | M6 x 1,0 | 376 | 366 | 366 | 23.30 | 40.11 |
| L1016.U25 | 60 | 11.0 | M6 x 1,0 | 447 | 358 | 358 | 25.25 | 41.73 |
| L1016.U25-L | 60 | 11.0 | M6 x 1,0 | 576 | 577 | 577 | 32.44 | 53.63 |
| L1016.U25-XL | 60 | 11.0 | M6 x 1,0 | 691 | 833 | 833 | 36.58 | 64.30 |
| L1016.U30 | 80 | 14.0 | M6 x 1,0 | 719 | 560 | 560 | 37.33 | 55.50 |
| L1016.U30-L | 80 | 14.0 | M6 x 1,0 | 931 | 836 | 836 | 48.35 | 71.88 |
| L1016.U30-XL | 80 | 14.0 | M6 x 1,0 | 1142 | 1361 | 1361 | 53.83 | 88.18 |
| L1016.U35 | 80 | 14.0 | M6 x 1,0 | 1307 | 991 | 991 | 53.31 | 82.66 |
| L1016.U35-L | 80 | 14.0 | M6 x 1,0 | 1633 | 1424 | 1424 | 66.61 | 103.29 |



| Order No. | l_5 | d_3 | d_4 | M_x Nm | M_y Nm | M_z Nm | Dyn. load $C_{rad \& ax}$ kN | Static load $C_{Orad \& ax}$ kN |
|---------------------|-------|-------|-----------|-------------|-------------|-------------|---------------------------------|------------------------------------|
| L1016.U35-XL | 80 | 14.0 | M6 x 1,0 | 2020 | 2330 | 2330 | 73.29 | 127.68 |
| L1016.U45 | 105 | 20.0 | M8 x 1,25 | 2353 | 1559 | 1559 | 73.14 | 111.30 |
| L1016.U45-L | 105 | 20.0 | M8 x 1,25 | 2798 | 2170 | 2170 | 86.99 | 132.39 |
| L1016.U45-XL | 105 | 20.0 | M8 x 1,25 | 3527 | 3455 | 3455 | 100.52 | 166.87 |
| L1016.U55 | 120 | 23.0 | M8 x 1,25 | 3385 | 2361 | 2361 | 88.26 | 136.62 |
| L1016.U55-L | 120 | 23.0 | M8 x 1,25 | 4538 | 4202 | 4202 | 119.10 | 183.14 |
| L1016.U55-XL | 120 | 23.0 | M8 x 1,25 | 6430 | 6617 | 6617 | 161.43 | 259.71 |