

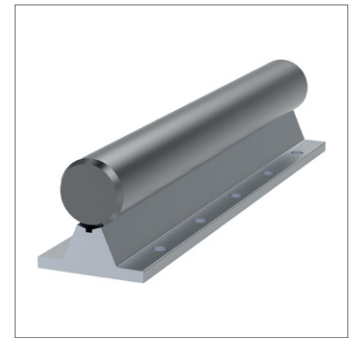
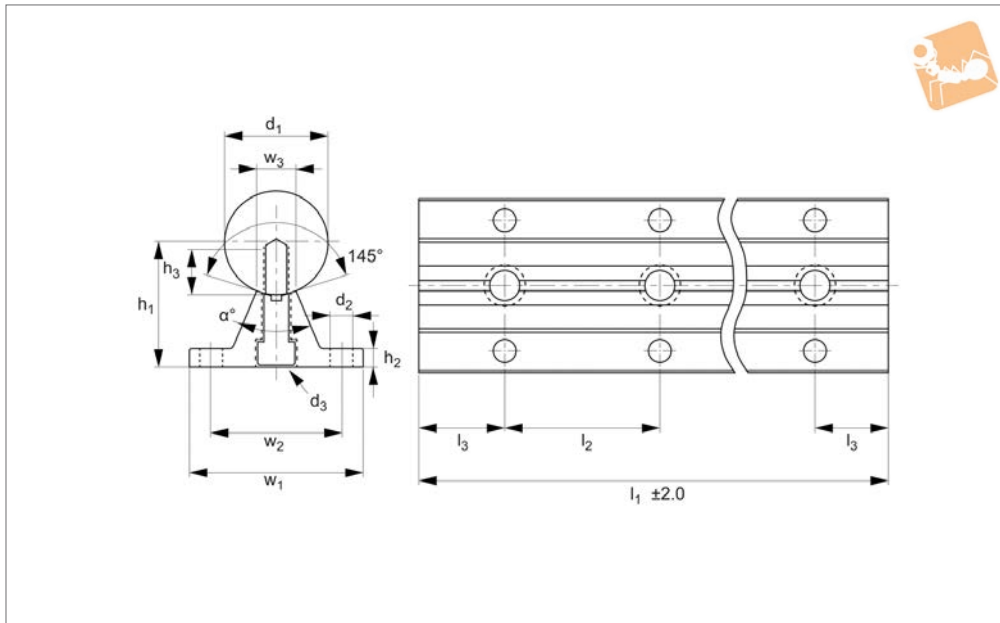


50Ø Shaft Support Rails

complete steel shaft and aluminium support



Linear Shaft Supports



L1780.50

LINEAR SHAFT SUPPORTS

Material

Hardened and ground carbon steel shaft (070M55, Cf53 - DIN 1.1213), aluminium alloy support rail.
Surface hardness of steel shaft 60-65 HRC.

Technical Notes

For open linear bushings, ensures a very rigid and stiff system.

The shaft is pre-mounted to the shaft support rail.

Standard lengths are shown which allow the distance to the first and last hole to be equal (ie $l_2/2$). Different holes pitches available on request.

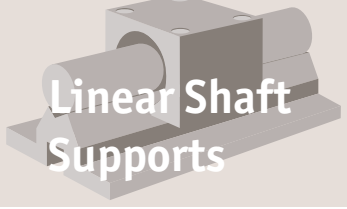
Straightness: $\pm 0.1\text{mm/metre}$.

Tips

For linear carriages see part no. L1755 (flanged) or L1752 (unflanged).
Stainless steel carriages also available, see part no. L1756 (flanged) or L1753 (unflanged).

On request a stainless steel (usually 440C) shaft can be mounted on the support rail.

Order No.	d_1 tol. h6	d_2	d_3	l_1	l_2	l_3	w_1	w_2	w_3	h_1 ± 0.02	h_2	h_3	α
L1780.50-0600	50	11	M12x45	600	300	150	84	63	19	60	9	21	46
L1780.50-0900	50	11	M12x45	900	300	150	84	63	19	60	9	21	46
L1780.50-1200	50	11	M12x45	1200	300	150	84	63	19	60	9	21	46
L1780.50-1500	50	11	M12x45	1500	300	150	84	63	19	60	9	21	46
L1780.50-1800	50	11	M12x45	1800	300	150	84	63	19	60	9	21	46
L1780.50-2100	50	11	M12x45	2100	300	150	84	63	19	60	9	21	46
L1780.50-2400	50	11	M12x45	2400	300	150	84	63	19	60	9	21	46
L1780.50-2700	50	11	M12x45	2700	300	150	84	63	19	60	9	21	46
L1780.50-3000	50	11	M12x45	3000	300	150	84	63	19	60	9	21	46
L1780.50-3300	50	11	M12x45	3300	300	150	84	63	19	60	9	21	46
L1780.50-3600	50	11	M12x45	3600	300	150	84	63	19	60	9	21	46
L1780.50-3900	50	11	M12x45	3900	300	150	84	63	19	60	9	21	46
L1780.50-4200	50	11	M12x45	4200	300	150	84	63	19	60	9	21	46
L1780.50-4500	50	11	M12x45	4500	300	150	84	63	19	60	9	21	46
L1780.50-4800	50	11	M12x45	4800	300	150	84	63	19	60	9	21	46
L1780.50-5100	50	11	M12x45	5100	300	150	84	63	19	60	9	21	46
L1780.50-5400	50	11	M12x45	5400	300	150	84	63	19	60	9	21	46
L1780.50-5700	50	11	M12x45	5700	300	150	84	63	19	60	9	21	46
L1780.50-6000	50	11	M12x45	6000	300	150	84	63	19	60	9	21	46



Linear Shaft Supports

50Ø Shaft Support Rails
complete steel shaft and aluminium support



LINEAR SHAFT SUPPORTS

