

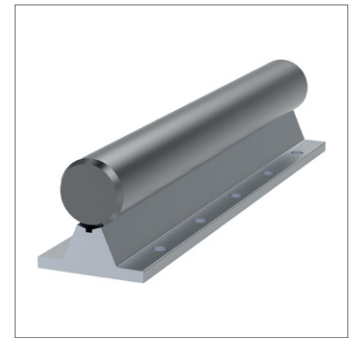
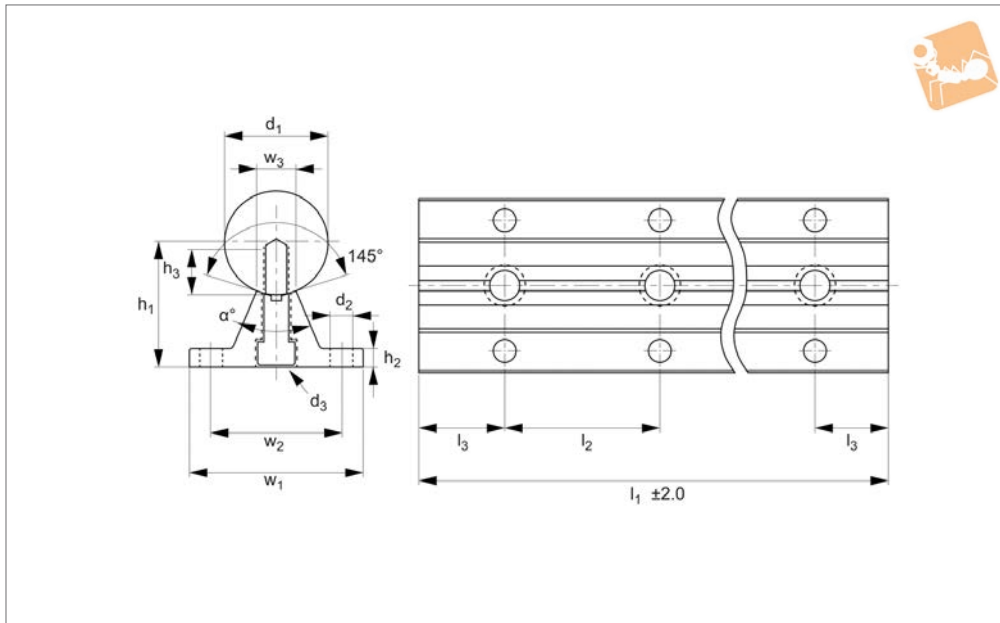


# 60Ø Shaft Support Rails

complete steel shaft and aluminium support



## Linear Shaft Supports



## L1780.60

LINEAR SHAFT SUPPORTS

### Material

Hardened and ground carbon steel shaft (070M55, Cf53 - DIN 1.1213), aluminium alloy support rail.  
Surface hardness of steel shaft 60-65 HRC.

### Technical Notes

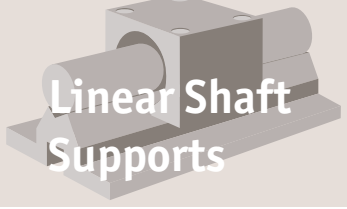
For open linear bushings, ensures a very rigid and stiff system.

The shaft is pre-mounted to the shaft support rail.  
Standard lengths are shown which allow the distance to the first and last hole to be equal (ie  $l_2/2$ ). Different holes pitches available on request.  
Straightness:  $\pm 0.1\text{mm/metre}$ .

### Tips

For linear carriages see part no. L1755 (flanged) or L1752 (unflanged).  
Stainless steel carriages also available, see part no. L1756 (flanged) or L1753 (unflanged).  
On request a stainless steel (usually 440C) shaft can be mounted on the support rail.

Order No.	d <sub>1</sub> tol. h6	d <sub>2</sub>	d <sub>3</sub>	l <sub>1</sub>	l <sub>2</sub>	l <sub>3</sub>	w <sub>1</sub>	w <sub>2</sub>	w <sub>3</sub>	h <sub>1</sub> ±0.02	h <sub>2</sub>	h <sub>3</sub>	α°
L1780.60-0600	60	11	M14x50	600	300	150	94	72	25	68	10	25	46
L1780.60-0900	60	11	M14x50	900	300	150	94	72	25	68	10	25	46
L1780.60-1200	60	11	M14x50	1200	300	150	94	72	25	68	10	25	46
L1780.60-1500	60	11	M14x50	1500	300	150	94	72	25	68	10	25	46
L1780.60-1800	60	11	M14x50	1800	300	150	94	72	25	68	10	25	46
L1780.60-2100	60	11	M14x50	2100	300	150	94	72	25	68	10	25	46
L1780.60-2400	60	11	M14x50	2400	300	150	94	72	25	68	10	25	46
L1780.60-2700	60	11	M14x50	2700	300	150	94	72	25	68	10	25	46
L1780.60-3000	60	11	M14x50	3000	300	150	94	72	25	68	10	25	46
L1780.60-3300	60	11	M14x50	3300	300	150	94	72	25	68	10	25	46
L1780.60-3600	60	11	M14x50	3600	300	150	94	72	25	68	10	25	46
L1780.60-3900	60	11	M14x50	3900	300	150	94	72	25	68	10	25	46
L1780.60-4200	60	11	M14x50	4200	300	150	94	72	25	68	10	25	46
L1780.60-4500	60	11	M14x50	4500	300	150	94	72	25	68	10	25	46
L1780.60-4800	60	11	M14x50	4800	300	150	94	72	25	68	10	25	46
L1780.60-5100	60	11	M14x50	5100	300	150	94	72	25	68	10	25	46
L1780.60-5400	60	11	M14x50	5400	300	150	94	72	25	68	10	25	46
L1780.60-5700	60	11	M14x50	5700	300	150	94	72	25	68	10	25	46
L1780.60-6000	60	11	M14x50	6000	300	150	94	72	25	68	10	25	46



# Linear Shaft Supports

**60Ø Shaft Support Rails**  
complete steel shaft and aluminium support



LINEAR SHAFT SUPPORTS

