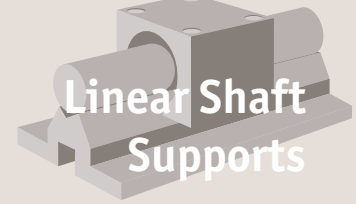


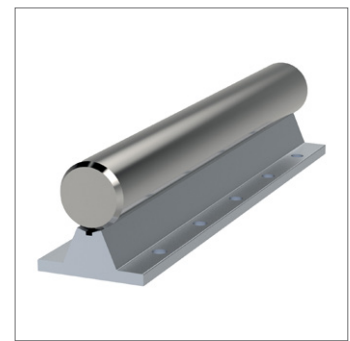
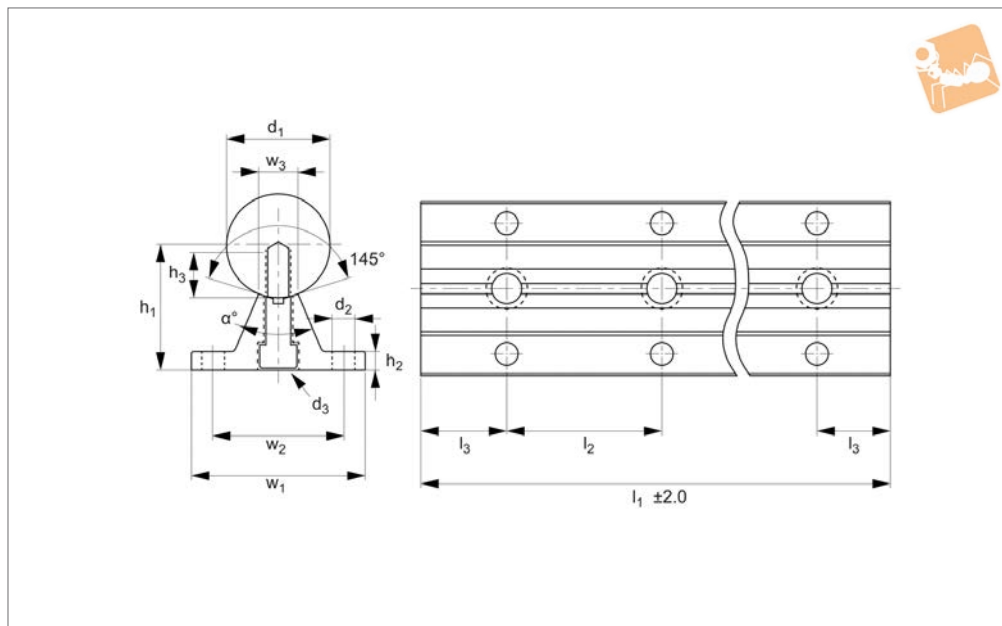


12Ø Shaft Support Rails

complete shaft and rail



Linear Shaft Supports



L1781.12

LINEAR SHAFT SUPPORTS

Material

Hardened and ground stainless steel shaft (440C), aluminium alloy support rail.
Surface hardness of shaft 60-65 HRC.

Technical Notes

For open linear bushings, ensures a very rigid and stiff system.

The shaft is pre-mounted to the shaft support rail.

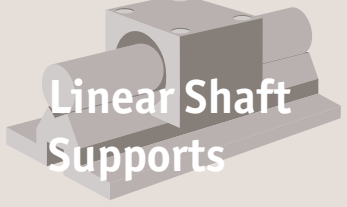
Standard lengths are shown which allow the distance to the first and last hole to be equal (ie $l_2/2$). Different holes pitches available on request.

Straightness: $\pm 0.1\text{mm/metre}$.

Tips

For linear carriages see part no. L1755 (flanged) or L1752 (unflanged).
Stainless steel carriages also available, see part no. L1756 (flanged) or L1753 (unflanged).

Order No.	d_1 tol. h6	d_2	d_3	l_1	l_2	l_3	w_1	w_2	w_3	h_1 ± 0.02	h_2	h_3	α
L1781.12-0240	12	4.5	M4x20	240	120	60	40	29	5.8	22	5	8	50
L1781.12-0360	12	4.5	M4x20	360	120	60	40	29	5.8	22	5	8	50
L1781.12-0480	12	4.5	M4x20	480	120	60	40	29	5.8	22	5	8	50
L1781.12-0600	12	4.5	M4x20	600	120	60	40	29	5.8	22	5	8	50
L1781.12-0720	12	4.5	M4x20	720	120	60	40	29	5.8	22	5	8	50
L1781.12-0840	12	4.5	M4x20	840	120	60	40	29	5.8	22	5	8	50
L1781.12-0960	12	4.5	M4x20	960	120	60	40	29	5.8	22	5	8	50
L1781.12-1080	12	4.5	M4x20	1080	120	60	40	29	5.8	22	5	8	50
L1781.12-1200	12	4.5	M4x20	1200	120	60	40	29	5.8	22	5	8	50
L1781.12-1320	12	4.5	M4x20	1320	120	60	40	29	5.8	22	5	8	50
L1781.12-1440	12	4.5	M4x20	1440	120	60	40	29	5.8	22	5	8	50
L1781.12-1560	12	4.5	M4x20	1560	120	60	40	29	5.8	22	5	8	50
L1781.12-1680	12	4.5	M4x20	1680	120	60	40	29	5.8	22	5	8	50
L1781.12-1800	12	4.5	M4x20	1800	120	60	40	29	5.8	22	5	8	50
L1781.12-1920	12	4.5	M4x20	1920	120	60	40	29	5.8	22	5	8	50
L1781.12-2040	12	4.5	M4x20	2040	120	60	40	29	5.8	22	5	8	50
L1781.12-2160	12	4.5	M4x20	2160	120	60	40	29	5.8	22	5	8	50
L1781.12-2280	12	4.5	M4x20	2280	120	60	40	29	5.8	22	5	8	50
L1781.12-2400	12	4.5	M4x20	2400	120	60	40	29	5.8	22	5	8	50
L1781.12-2520	12	4.5	M4x20	2520	120	60	40	29	5.8	22	5	8	50
L1781.12-2640	12	4.5	M4x20	2640	120	60	40	29	5.8	22	5	8	50
L1781.12-2760	12	4.5	M4x20	2760	120	60	40	29	5.8	22	5	8	50
L1781.12-2880	12	4.5	M4x20	2880	120	60	40	29	5.8	22	5	8	50
L1781.12-3000	12	4.5	M4x20	3000	120	60	40	29	5.8	22	5	8	50
L1781.12-3120	12	4.5	M4x20	3120	120	60	40	29	5.8	22	5	8	50
L1781.12-3240	12	4.5	M4x20	3240	120	60	40	29	5.8	22	5	8	50
L1781.12-3360	12	4.5	M4x20	3360	120	60	40	29	5.8	22	5	8	50
L1781.12-3480	12	4.5	M4x20	3480	120	60	40	29	5.8	22	5	8	50
L1781.12-3600	12	4.5	M4x20	3600	120	60	40	29	5.8	22	5	8	50
L1781.12-3720	12	4.5	M4x20	3720	120	60	40	29	5.8	22	5	8	50



Linear Shaft Supports

12Ø Shaft Support Rails complete shaft and rail



LINEAR SHAFT SUPPORTS

Order No.	d ₁ tol. h6	d ₂	d ₃	l ₁	l ₂	l ₃	w ₁	w ₂	w ₃	h ₁ ±0.02	h ₂	h ₃	α °
L1781.12-3840	12	4.5	M4x20	3840	120	60	40	29	5.8	22	5	8	50
L1781.12-3960	12	4.5	M4x20	3960	120	60	40	29	5.8	22	5	8	50
L1781.12-4080	12	4.5	M4x20	4080	120	60	40	29	5.8	22	5	8	50
L1781.12-4200	12	4.5	M4x20	4200	120	60	40	29	5.8	22	5	8	50
L1781.12-4320	12	4.5	M4x20	4320	120	60	40	29	5.8	22	5	8	50
L1781.12-4440	12	4.5	M4x20	4440	120	60	40	29	5.8	22	5	8	50
L1781.12-4560	12	4.5	M4x20	4560	120	60	40	29	5.8	22	5	8	50
L1781.12-4680	12	4.5	M4x20	4680	120	60	40	29	5.8	22	5	8	50
L1781.12-4800	12	4.5	M4x20	4800	120	60	40	29	5.8	22	5	8	50
L1781.12-4920	12	4.5	M4x20	4920	120	60	40	29	5.8	22	5	8	50
L1781.12-5040	12	4.5	M4x20	5040	120	60	40	29	5.8	22	5	8	50
L1781.12-5160	12	4.5	M4x20	5160	120	60	40	29	5.8	22	5	8	50
L1781.12-5280	12	4.5	M4x20	5280	120	60	40	29	5.8	22	5	8	50
L1781.12-5400	12	4.5	M4x20	5400	120	60	40	29	5.8	22	5	8	50
L1781.12-5520	12	4.5	M4x20	5520	120	60	40	29	5.8	22	5	8	50
L1781.12-5640	12	4.5	M4x20	5640	120	60	40	29	5.8	22	5	8	50
L1781.12-5760	12	4.5	M4x20	5760	120	60	40	29	5.8	22	5	8	50
L1781.12-5880	12	4.5	M4x20	5880	120	60	40	29	5.8	22	5	8	50
L1781.12-6000	12	4.5	M4x20	6000	120	60	40	29	5.8	22	5	8	50

