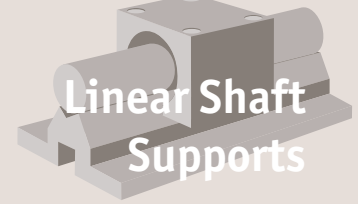


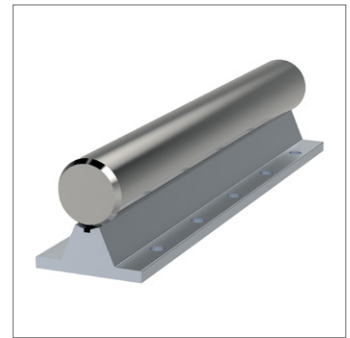
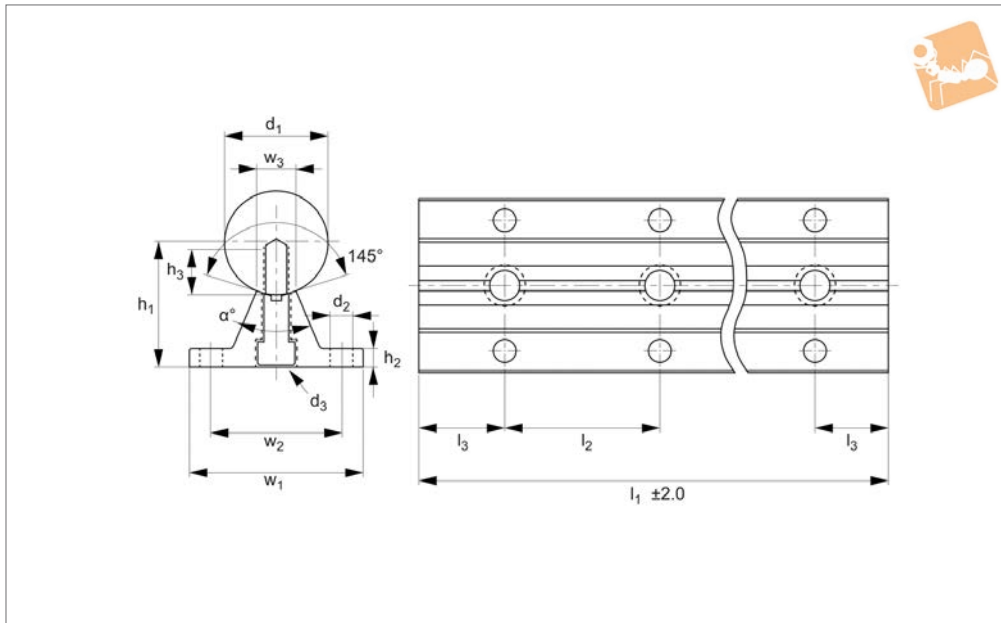


16Ø Shaft Support Rails

complete steel shaft and aluminium support



Linear Shaft Supports



L1781.16

LINEAR SHAFT SUPPORTS

Material

Hardened and ground stainless steel shaft (440C), aluminium alloy support rail.
Surface hardness of shaft 60-65 HRC.

Technical Notes

For open linear bushings, ensures a very rigid and stiff system.

The shaft is pre-mounted to the shaft support rail.

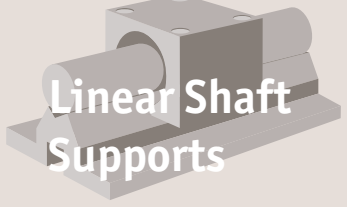
Standard lengths are shown which allow the distance to the first and last hole to be equal (ie $l_2/2$). Different holes pitches available on request.

Straightness: $\pm 0.1\text{mm/metre}$.

Tips

For linear carriages see part no. L1755 (flanged) or L1752 (unflanged).
Stainless steel carriages also available, see part no. L1756 (flanged) or L1753 (unflanged).

Order No.	d_1 tol. h6	d_2	d_3	l_1	l_2	l_3	w_1	w_2	w_3	h_1 ± 0.02	h_2	h_3	α
L1781.16-0300	16	5.5	M5x20	300	150	75	45	33	7	26	5	9	50
L1781.16-0450	16	5.5	M5x20	450	150	75	45	33	7	26	5	9	50
L1781.16-0600	16	5.5	M5x20	600	150	75	45	33	7	26	5	9	50
L1781.16-0750	16	5.5	M5x20	750	150	75	45	33	7	26	5	9	50
L1781.16-0900	16	5.5	M5x20	900	150	75	45	33	7	26	5	9	50
L1781.16-1050	16	5.5	M5x20	1050	150	75	45	33	7	26	5	9	50
L1781.16-1200	16	5.5	M5x20	1200	150	75	45	33	7	26	5	9	50
L1781.16-1350	16	5.5	M5x20	1350	150	75	45	33	7	26	5	9	50
L1781.16-1500	16	5.5	M5x20	1500	150	75	45	33	7	26	5	9	50
L1781.16-1650	16	5.5	M5x20	1650	150	75	45	33	7	26	5	9	50
L1781.16-1800	16	5.5	M5x20	1800	150	75	45	33	7	26	5	9	50
L1781.16-1950	16	5.5	M5x20	1950	150	75	45	33	7	26	5	9	50
L1781.16-2100	16	5.5	M5x20	2100	150	75	45	33	7	26	5	9	50
L1781.16-2250	16	5.5	M5x20	2250	150	75	45	33	7	26	5	9	50
L1781.16-2400	16	5.5	M5x20	2400	150	75	45	33	7	26	5	9	50
L1781.16-2550	16	5.5	M5x20	2550	150	75	45	33	7	26	5	9	50
L1781.16-2700	16	5.5	M5x20	2700	150	75	45	33	7	26	5	9	50
L1781.16-2850	16	5.5	M5x20	2850	150	75	45	33	7	26	5	9	50
L1781.16-3000	16	5.5	M5x20	3000	150	75	45	33	7	26	5	9	50
L1781.16-3150	16	5.5	M5x20	3150	150	75	45	33	7	26	5	9	50
L1781.16-3300	16	5.5	M5x20	3300	150	75	45	33	7	26	5	9	50
L1781.16-3450	16	5.5	M5x20	3450	150	75	45	33	7	26	5	9	50
L1781.16-3600	16	5.5	M5x20	3600	150	75	45	33	7	26	5	9	50
L1781.16-3750	16	5.5	M5x20	3750	150	75	45	33	7	26	5	9	50
L1781.16-3900	16	5.5	M5x20	3900	150	75	45	33	7	26	5	9	50
L1781.16-4050	16	5.5	M5x20	4050	150	75	45	33	7	26	5	9	50
L1781.16-4200	16	5.5	M5x20	4200	150	75	45	33	7	26	5	9	50
L1781.16-4350	16	5.5	M5x20	4350	150	75	45	33	7	26	5	9	50
L1781.16-4500	16	5.5	M5x20	4500	150	75	45	33	7	26	5	9	50
L1781.16-4650	16	5.5	M5x20	4650	150	75	45	33	7	26	5	9	50



Linear Shaft Supports

16Ø Shaft Support Rails

complete steel shaft and aluminium support



Order No.	d ₁ tol. h6	d ₂	d ₃	l ₁	l ₂	l ₃	w ₁	w ₂	w ₃	h ₁ ±0.02	h ₂	h ₃	α °
L1781.16-4800	16	5.5	M5x20	4800	150	75	45	33	7	26	5	9	50
L1781.16-4950	16	5.5	M5x20	4950	150	75	45	33	7	26	5	9	50
L1781.16-5100	16	5.5	M5x20	5100	150	75	45	33	7	26	5	9	50
L1781.16-5250	16	5.5	M5x20	5250	150	75	45	33	7	26	5	9	50
L1781.16-5400	16	5.5	M5x20	5400	150	75	45	33	7	26	5	9	50
L1781.16-5550	16	5.5	M5x20	5550	150	75	45	33	7	26	5	9	50
L1781.16-5700	16	5.5	M5x20	5700	150	75	45	33	7	26	5	9	50
L1781.16-5850	16	5.5	M5x20	5850	150	75	45	33	7	26	5	9	50
L1781.16-6000	16	5.5	M5x20	6000	150	75	45	33	7	26	5	9	50

LINEAR SHAFT SUPPORTS

