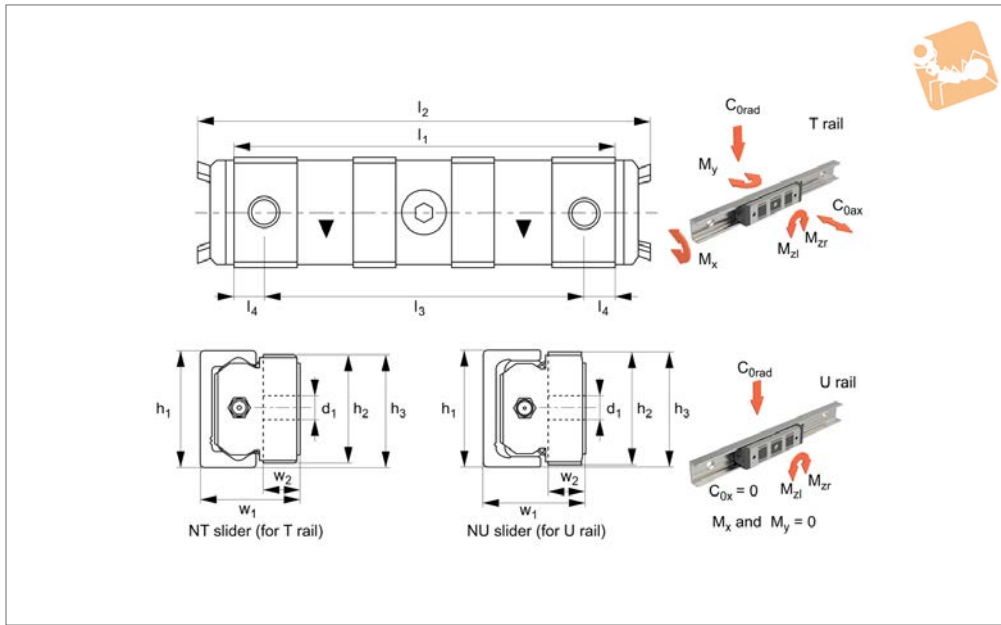




# Medium Duty Sliders, size 28 cast body



Long Linear  
Rails



**L1928.N**

LONG LINEAR RAILS

### Material

Die cast aluminium body, chemically nickel plated.  
Steel rollers (100Cr6) with metal seals (2Z).  
Polyester end pieces and nitrilic rubber side seals.

### Technical Notes

To be used with compact rail size 28.  
Select the relevant sliders to suit the rail size and the required load to be carried (taking into account any moment loads).  
Maintenance free, self-lubricating wipers.

### Tips

Easy to install (the middle roller is eccentric allowing for adjustable preload).  
Quiet and fast (up to 5 m/s).

Order No.	For rail type	No. of rollers	C N	$C_{0ax}$ N	$C_{0rad}$ N	$d_1$	$h_1$ +0.25 -0.10	$h_2$ +0 -0.20	$h_3$ +0.15 -0.35	$l_1$	$l_2$	$l_3$	Weight kg
L1928.NTE28	T	3	4260	640	2170	M5	28	26.5	28	88	124	78	0.115
L1928.NUE28	U	3	4260	0	2170	M5	28	26.5	28	88	124	78	0.115

Order No.	$l_4$	$M_x$ Nm	$M_y$ Nm	$M_{zr}$ Nm	$M_{zl}$ Nm	$w_1$ $\pm 0.15$	$w_2$
L1928.NTE28	5	6.2	16	27.2	27.2	24	9.3
L1928.NUE28	5	0	0	27.2	27.2	24	9.3