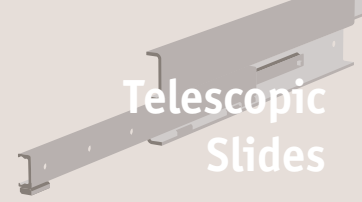


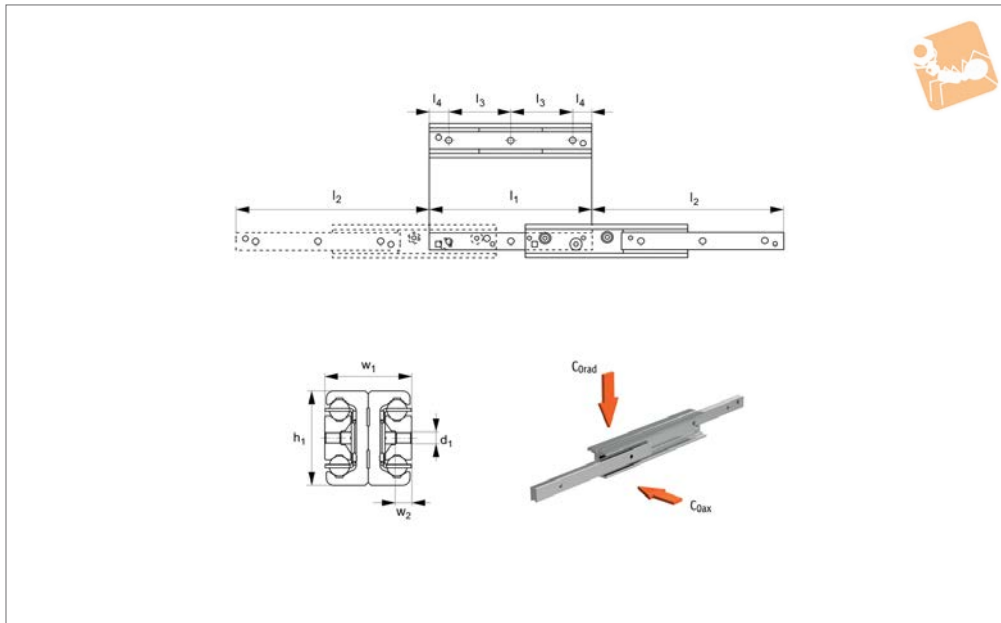


Fully Telescopic Slides

size 63



Telescopic Slides



L1986.63

TELESCOPIC SLIDES

Material

Cold drawn bearing steel raceways hardened to 60 HRC. Balls - hardened steel.

Zinc coating to ISO2081 (excluding raceways). Corrosion resistant coatings available on request.

Technical Notes

These are extremely strong and rigid telescopic slides with high load capacities. C_{0rad}

is the load rating for a single telescopic slide.

Temperature range: -30°C to +170°C.

Tips

A double direction stroke can be obtained by removing the end stops screws at the end of each side of the intermediate member.

For double direction strokes, when the moving element has started the stroke in

the opposite direction it will catch the intermediate member and force it to return.

The slides have end stops, but these are not designed to stop a moving, loaded slide. External end stops should be used for this.

Only to be used for horizontal movements. Special strokes up to 130% of the closed length can be provided on request.

Order No.	h_1	l_1	l_2	l_3	l_4	w_1	w_2	For screws d_1	No. of holes	Hole type	Load (per rail) N max.	C_{0ax}	Load (per rail) N max.	C_{0rad}	Weight kg
L1986.63T-0610	63	610	666	80	25	58	10,5	M8	8	Thread	2863		4090		12,56
L1986.63T-0690	63	690	746	80	25	58	10,5	M8	9	Thread	3062		4859		14,21
L1986.63T-0770	63	770	826	80	25	58	10,5	M8	10	Thread	2784		5635		15,86
L1986.63T-0850	63	850	906	80	25	58	10,5	M8	11	Thread	2553		6415		17,51
L1986.63T-0930	63	930	986	80	25	58	10,5	M8	12	Thread	2357		7198		19,15
L1986.63T-1010	63	1010	1066	80	25	58	10,5	M8	13	Thread	2189		6885		20,80
L1986.63T-1090	63	1090	1146	80	25	58	10,5	M8	14	Thread	2043		6427		22,45
L1986.63T-1170	63	1170	1226	80	25	58	10,5	M8	15	Thread	1916		6026		24,10
L1986.63T-1250	63	1250	1306	80	25	58	10,5	M8	16	Thread	1803		5672		25,75
L1986.63T-1330	63	1330	1386	80	25	58	10,5	M8	17	Thread	1703		5357		27,39
L1986.63T-1410	63	1410	1466	80	25	58	10,5	M8	18	Thread	1614		5076		29,04
L1986.63T-1490	63	1490	1546	80	25	58	10,5	M8	19	Thread	1533		4822		30,69
L1986.63T-1570	63	1570	1626	80	25	58	10,5	M8	20	Thread	1460		4593		32,34
L1986.63T-1650	63	1650	1706	80	25	58	10,5	M8	21	Thread	1394		4384		33,39
L1986.63T-1730	63	1730	1786	80	25	58	10,5	M8	22	Thread	1333		4194		35,63
L1986.63T-1810	63	1810	1866	80	25	58	10,5	M8	23	Thread	1278		4019		37,28
L1986.63T-1890	63	1890	1946	80	25	58	10,5	M8	24	Thread	1227		3859		38,93
L1986.63T-1970	63	1970	2026	80	25	58	10,5	M8	25	Thread	1180		3710		40,58