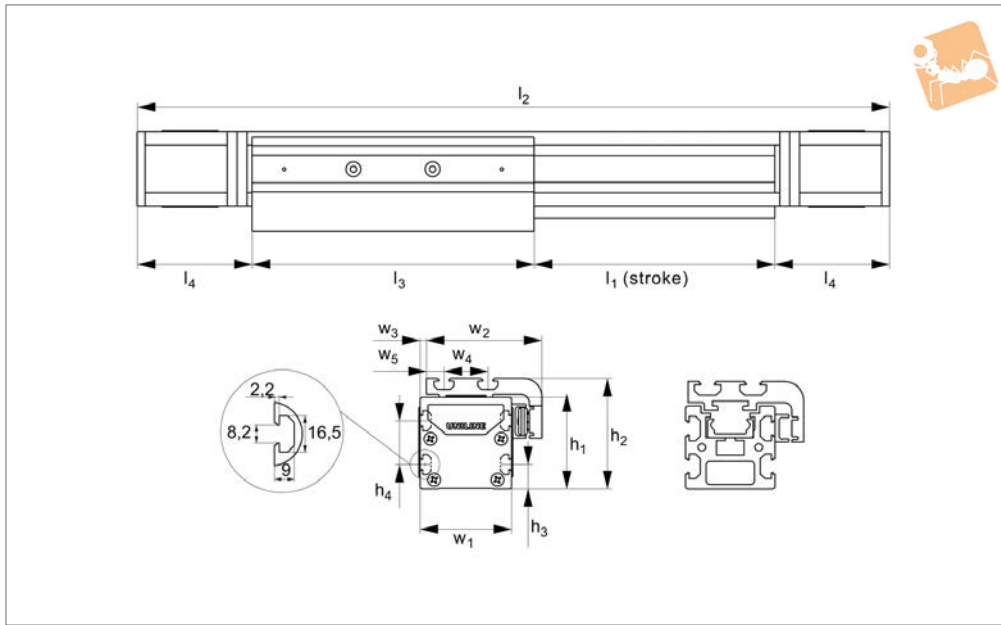
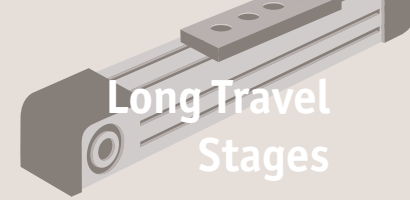




Heavy Duty Belt Driven Unit

size 75



L3004.E75

LONG TRAVEL STAGES

Material

Special sliders on a pair of hardened steel rails, encased in an aluminium profile.

Technical Notes

Any length overall stroke unit can be supplied (up to 3,4 metres in a single section) for the E75 series. Longer strokes

available.

Longer carriages and double carriages are available which increase the load capacity of the units.

Tips

See technical pages for more information on belt specification, long carriages,

double carriages and motor connections. Can easily be combined to make an XY, XYZ or other set up gantry system.

Important Notes

For extra rigidity and where significant M_x moment loads are present.

Order No.	l_1	l_2	l_3	l_4	h_1 & w_1	h_2	h_3	h_4	w_2	w_3	w_4	w_5	C_{0ax} N	C_{0rad} N	M_x Nm	M_y Nm	M_z Nm
L3004.E75-0100	100	617	285	116	75	90	20	35	135	5	36	14.5	3710	5500	85.5	163	209
L3004.E75-0200	200	717	285	116	75	90	20	35	135	5	36	14.5	3710	5500	85.5	163	209
L3004.E75-0300	300	817	285	116	75	90	20	35	135	5	36	14.5	3710	5500	85.5	163	209
L3004.E75-0400	400	917	285	116	75	90	20	35	135	5	36	14.5	3710	5500	85.5	163	209
L3004.E75-0500	500	1017	285	116	75	90	20	35	135	5	36	14.5	3710	5500	85.5	163	209
L3004.E75-0600	600	1117	285	116	75	90	20	35	135	5	36	14.5	3710	5500	85.5	163	209
L3004.E75-0700	700	1217	285	116	75	90	20	35	135	5	36	14.5	3710	5500	85.5	163	209
L3004.E75-0800	800	1317	285	116	75	90	20	35	135	5	36	14.5	3710	5500	85.5	163	209
L3004.E75-0900	900	1417	285	116	75	90	20	35	135	5	36	14.5	3710	5500	85.5	163	209
L3004.E75-1000	1000	1517	285	116	75	90	20	35	135	5	36	14.5	3710	5500	85.5	163	209
L3004.E75-1100	1100	1617	285	116	75	90	20	35	135	5	36	14.5	3710	5500	85.5	163	209
L3004.E75-1200	1200	1717	285	116	75	90	20	35	135	5	36	14.5	3710	5500	85.5	163	209
L3004.E75-1300	1300	1817	285	116	75	90	20	35	135	5	36	14.5	3710	5500	85.5	163	209
L3004.E75-1400	1400	1917	285	116	75	90	20	35	135	5	36	14.5	3710	5500	85.5	163	209
L3004.E75-1500	1500	2017	285	116	75	90	20	35	135	5	36	14.5	3710	5500	85.5	163	209
L3004.E75-1600	1600	2117	285	116	75	90	20	35	135	5	36	14.5	3710	5500	85.5	163	209
L3004.E75-1700	1700	2217	285	116	75	90	20	35	135	5	36	14.5	3710	5500	85.5	163	209
L3004.E75-1800	1800	2317	285	116	75	90	20	35	135	5	36	14.5	3710	5500	85.5	163	209
L3004.E75-1900	1900	2417	285	116	75	90	20	35	135	5	36	14.5	3710	5500	85.5	163	209
L3004.E75-2000	2000	2517	285	116	75	90	20	35	135	5	36	14.5	3710	5500	85.5	163	209
L3004.E75-2100	2100	2617	285	116	75	90	20	35	135	5	36	14.5	3710	5500	85.5	163	209
L3004.E75-2200	2200	2717	285	116	75	90	20	35	135	5	36	14.5	3710	5500	85.5	163	209
L3004.E75-2300	2300	2817	285	116	75	90	20	35	135	5	36	14.5	3710	5500	85.5	163	209
L3004.E75-2400	2400	2917	285	116	75	90	20	35	135	5	36	14.5	3710	5500	85.5	163	209
L3004.E75-2500	2500	3017	285	116	75	90	20	35	135	5	36	14.5	3710	5500	85.5	163	209
L3004.E75-2600	2600	3117	285	116	75	90	20	35	135	5	36	14.5	3710	5500	85.5	163	209
L3004.E75-2700	2700	3217	285	116	75	90	20	35	135	5	36	14.5	3710	5500	85.5	163	209
L3004.E75-2800	2800	3317	285	116	75	90	20	35	135	5	36	14.5	3710	5500	85.5	163	209
L3004.E75-2900	2900	3417	285	116	75	90	20	35	135	5	36	14.5	3710	5500	85.5	163	209
L3004.E75-3000	3000	3517	285	116	75	90	20	35	135	5	36	14.5	3710	5500	85.5	163	209



Order No.	l_1	l_2	l_3	l_4	h_1 & w_1	h_2	h_3	h_4	w_2	w_3	w_4	w_5	C_{Oax} N	C_{Orad} N	M_x Nm	M_y Nm	M_z Nm
L3004.E75-3100	3100	3617	285	116	75	90	20	35	135	5	36	14.5	3710	5500	85.5	163	209
L3004.E75-3200	3200	3717	285	116	75	90	20	35	135	5	36	14.5	3710	5500	85.5	163	209
L3004.E75-3300	3300	3817	285	116	75	90	20	35	135	5	36	14.5	3710	5500	85.5	163	209
L3004.E75-3400	3400	3917	285	116	75	90	20	35	135	5	36	14.5	3710	5500	85.5	163	209