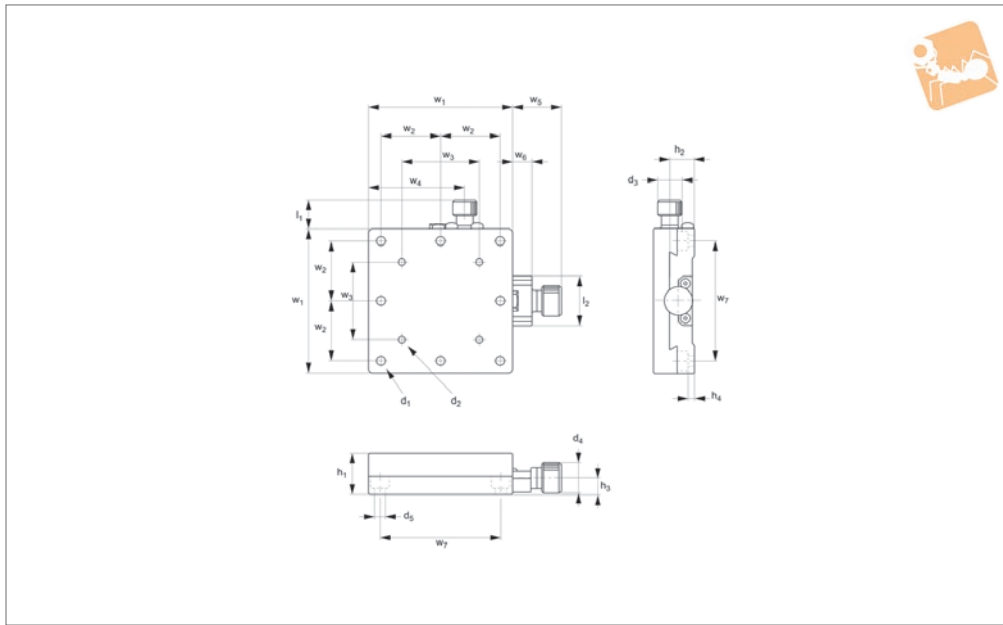




Miniature Dovetail Stages

X axis

Manual Positioning Stages



L3300.X

MANUAL POSITIONING STAGES

Material

Brass, blackened body, aluminium knob.

Minimum vernier reading 0,1mm.

Straightness accuracy 30µ.

Technical Notes

Travel 0,5mm for one revolution.

Order No.	h_1	Travel	Load kg max.	w_1	d_1	d_2	d_3	d_4
L3300.025-X	15	±3	3.0	25	M2	-	6	12
L3300.040-X	15	±7	3.0	40	M3	M2	6	12
L3300.060-X	17	±9	4.0	60	M4	M3	10	12

Order No.	d_5	h_2	h_3	l_1	l_2	w_2	w_3	w_4	w_5	w_6	w_7
L3300.025-X	2.5	11.5	7.0	6.7	23	10	-	15	20	8	20
L3300.040-X	3.5	11.5	7.0	6.7	23	20	20	28	20	8	32
L3300.060-X	4.5	10.5	6.5	11.5	20	25	32	40	20	8	50