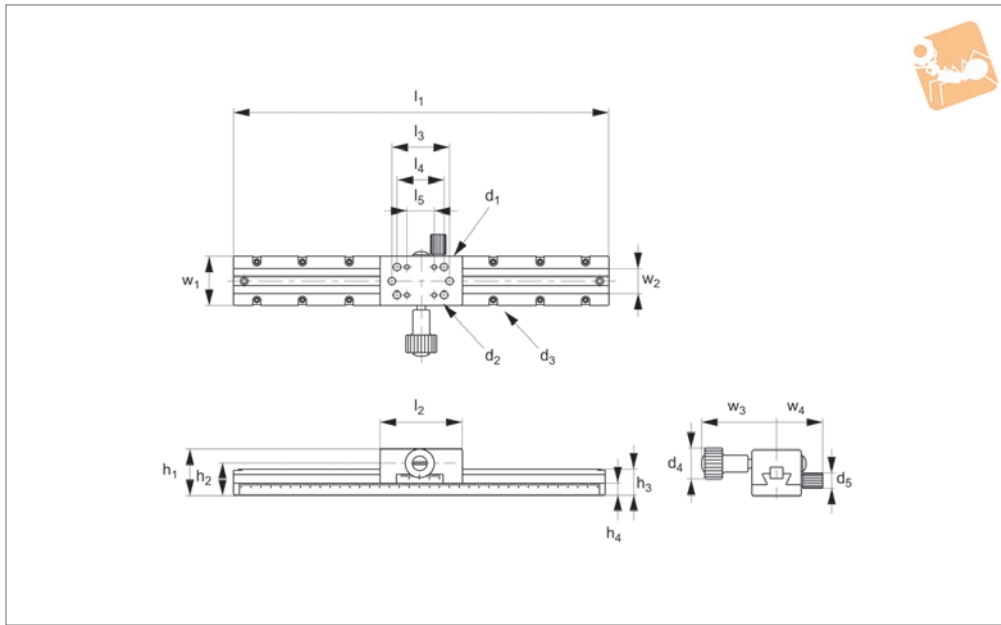
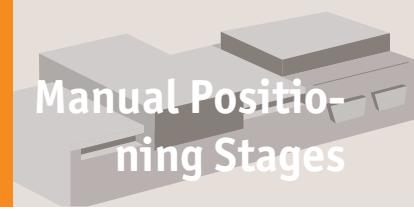




# Dovetail Stages - Rack & Pinion

long stroke, X axis

# Manual Positioning Stages



## L3305

MANUAL POSITIONING STAGES

### Material

Aluminium body blackened, steel knob.

Minimum vernier reading 0,1mm.

Straightness accuracy 30µ.

### Technical Notes

Travel 18mm for one revolution.

Use screwdriver to adjust knob to allow coarse or fine adjustment.

Order No.	h <sub>1</sub>	Travel	Load kg max.	w <sub>1</sub>	Accuracy	d <sub>1</sub>	d <sub>2</sub>	d <sub>3</sub> for
L3305.100	25	±40	3.0	25	30µ	M2	M2	M3
L3305.150	25	±60	3.0	25	40µ	M4	M2	M3
L3305.200	25	±95	3.0	25	50µ	M4	M2	M3

Order No.	d <sub>4</sub>	d <sub>5</sub>	h <sub>2</sub>	h <sub>3</sub>	h <sub>4</sub>	l <sub>1</sub>	l <sub>2</sub>	l <sub>3</sub>	l <sub>4</sub>	l <sub>5</sub>	w <sub>2</sub>	w <sub>3</sub>	w <sub>4</sub>
L3305.100	15	8	17.1	14.8	6	100	42	30	25	15	15	40.2	24.5
L3305.150	15	8	17.1	14.8	6	150	42	30	25	15	15	40.2	24.5
L3305.200	15	8	17.1	14.8	6	200	42	30	25	15	15	40.2	24.5