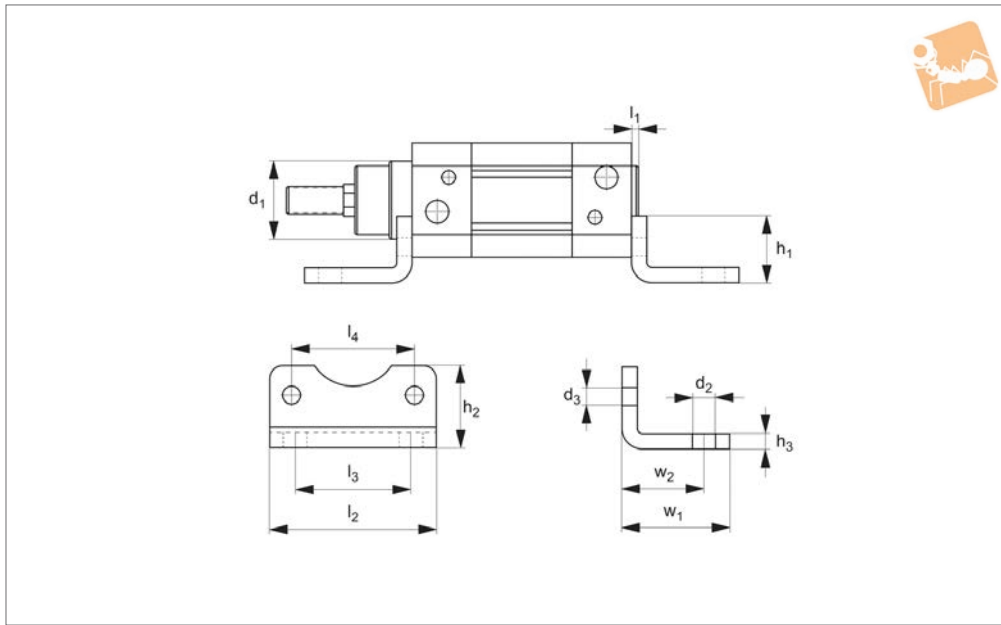




Air Cylinder Mounts - CETOP Series

clevis foot bracket



L4816

CYLINDERS

Material

Steel (DIN 1040).

Technical Notes

CETOP Series

Order No.	Cylinder dia.	d ₁	d ₂	d ₃	l ₁	l ₂	l ₃	l ₄	w ₁	w ₂	h ₁	h ₂	h ₃
L4816.032	32	30	7	6	4	45	32	32.5	32	24	32	24	4
L4816.040	40	35	9	6	5	54	36	39.6	38	28	36	25	5
L4816.050	50	40	9	7	5	65	45	48.0	42	32	45	32	6
L4816.063	63	42	9	7	6	80	50	59.4	50	35	50	36	6
L4816.080	80	48	12	9	6	96	63	70.7	60	43	63	47	8
L4816.100	100	56	14	9	7	126	75	93.4	57	43	71	54	8
L4816.125	125	63	16	13	10	140	90	106.0	69	50	90	55	11
L4816.160	160	80	18	15	10	180	115	134.4	87	65	115	70	13