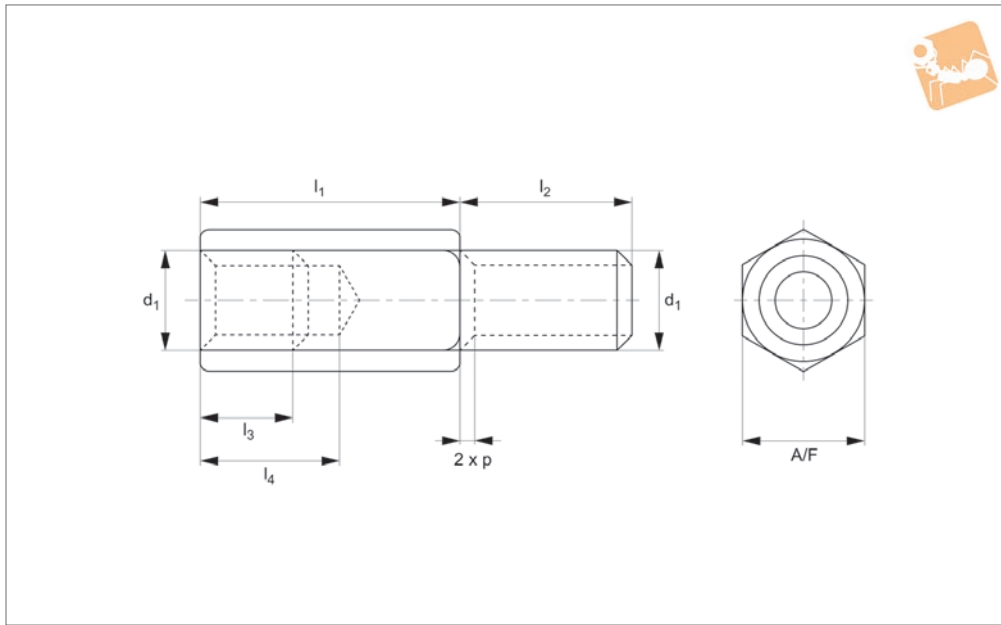
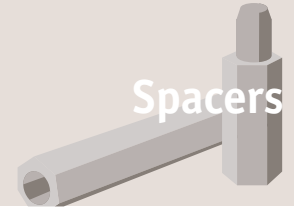




# Steel Hexagonal Pillars

Steel - zinc-plated



**P0061.ZP**

SPACERS

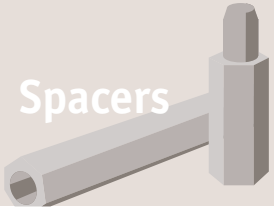
### Material

Mild steel, zinc-plated.

### Technical Notes

$l_4 = (l_3 + >1\text{mm})$ .

Order No.	d <sub>1</sub>	l <sub>1</sub> tol. js13	l <sub>2</sub>	l <sub>3</sub>	A/F
P0061.025-005-ZP	M2,5	5	6	2.5	5
P0061.025-008-ZP	M2,5	8	6	5.5	5
P0061.025-010-ZP	M2,5	10	6	5.5	5
P0061.025-012-ZP	M2,5	12	6	7.0	5
P0061.025-015-ZP	M2,5	15	6	7.0	5
P0061.025-020-ZP	M2,5	20	6	7.0	5
P0061.025-025-ZP	M2,5	25	6	7.0	5
P0061.030-005-ZP	M 3	5	6	2.5	5.5
P0061.030-008-ZP	M 3	8	6	5.0	5.5
P0061.030-010-ZP	M 3	10	6	5.0	5.5
P0061.030-012-ZP	M 3	12	6	6.5	5.5
P0061.030-015-ZP	M 3	15	6	7.5	5.5
P0061.030-018-ZP	M 3	18	6	8.0	5.5
P0061.030-020-ZP	M 3	20	6	7.0	5.5
P0061.030-025-ZP	M 3	25	6	7.0	5.5
P0061.030-030-ZP	M 3	30	6	7.0	5.5
P0061.030-035-ZP	M 3	35	6	7.0	5.5
P0061.030-040-ZP	M 3	40	6	7.0	5.5
P0061.030-045-ZP	M 3	45	6	7.0	5.5
P0061.030-050-ZP	M 3	50	6	7.0	5.5
P0061.030-060-ZP	M 3	60	6	7.0	5.5
P0061.030-070-ZP	M 3	70	6	7.0	5.5
P0061.030-080-ZP	M 3	80	6	7.0	5.5
P0061.040-005-ZP	M 4	5	8	2.3	7
P0061.040-008-ZP	M 4	8	8	4.5	7
P0061.040-010-ZP	M 4	10	8	6.0	7
P0061.040-012-ZP	M 4	12	8	8.0	7
P0061.040-015-ZP	M 4	15	8	9.0	7
P0061.040-018-ZP	M 4	18	8	9.0	7
P0061.040-020-ZP	M 4	20	8	9.0	7
P0061.040-025-ZP	M 4	25	8	9.0	7
P0061.040-030-ZP	M 4	30	8	9.0	7
P0061.040-035-ZP	M 4	35	8	9.0	7
P0061.040-040-ZP	M 4	40	8	9.0	7



# Steel Hexagonal Pillars

Steel - zinc-plated



SPACERS

Order No.	d <sub>1</sub>	l <sub>1</sub> tol. js13	l <sub>2</sub>	l <sub>3</sub>	A/F
P0061.040-045-ZP	M 4	45	8	9.0	7
P0061.040-050-ZP	M 4	50	8	9.0	7
P0061.040-055-ZP	M 4	55	8	9.0	7
P0061.040-060-ZP	M 4	60	8	9.0	7
P0061.040-070-ZP	M 4	70	8	9.0	7
P0061.040-080-ZP	M 4	80	8	9.0	7
P0061.050-008-ZP	M 5	8	10	5.0	8
P0061.050-010-ZP	M 5	10	10	5.5	8
P0061.050-012-ZP	M 5	12	10	8.0	8
P0061.050-015-ZP	M 5	15	10	9.0	8
P0061.050-018-ZP	M 5	18	10	10.0	8
P0061.050-020-ZP	M 5	20	10	11.0	8
P0061.050-025-ZP	M 5	25	10	11.0	8
P0061.050-030-ZP	M 5	30	10	11.0	8
P0061.050-035-ZP	M 5	35	10	11.0	8
P0061.050-040-ZP	M 5	40	10	11.0	8
P0061.050-045-ZP	M 5	45	10	11.0	8
P0061.050-050-ZP	M 5	50	10	11.0	8
P0061.050-055-ZP	M 5	55	10	11.0	8
P0061.050-060-ZP	M 5	60	10	11.0	8
P0061.050-070-ZP	M 5	70	10	11.0	8
P0061.050-080-ZP	M 5	80	10	11.0	8
P0061.060-010-ZP	M 6	10	12	6.0	10
P0061.060-012-ZP	M 6	12	12	6.0	10
P0061.060-015-ZP	M 6	15	12	11.0	10
P0061.060-018-ZP	M 6	18	12	12.0	10
P0061.060-020-ZP	M 6	20	12	12.0	10
P0061.060-025-ZP	M 6	25	12	12.0	10
P0061.060-030-ZP	M 6	30	12	12.0	10
P0061.060-035-ZP	M 6	35	12	12.0	10
P0061.060-040-ZP	M 6	40	12	12.0	10
P0061.060-045-ZP	M 6	45	12	12.0	10
P0061.060-050-ZP	M 6	50	12	12.0	10
P0061.060-055-ZP	M 6	55	12	12.0	10
P0061.060-060-ZP	M 6	60	12	12.0	10
P0061.060-070-ZP	M 6	70	12	12.0	10
P0061.060-080-ZP	M 6	80	12	12.0	10
P0061.080-010-ZP	M 8	10	14	6.0	13
P0061.080-015-ZP	M 8	15	14	8.0	13
P0061.080-018-ZP	M 8	18	14	12.0	13
P0061.080-020-ZP	M 8	20	14	12.0	13
P0061.080-025-ZP	M 8	25	14	15.0	13
P0061.080-030-ZP	M 8	30	14	15.0	13
P0061.080-035-ZP	M 8	35	14	15.0	13
P0061.080-040-ZP	M 8	40	14	15.0	13
P0061.080-045-ZP	M 8	45	14	15.0	13
P0061.080-050-ZP	M 8	50	14	15.0	13
P0061.080-060-ZP	M 8	60	14	15.0	13
P0061.080-070-ZP	M 8	70	14	15.0	13
P0061.080-080-ZP	M 8	80	14	15.0	13