



Vented Countersunk Machine Screws

hex. drive - 316 stainless

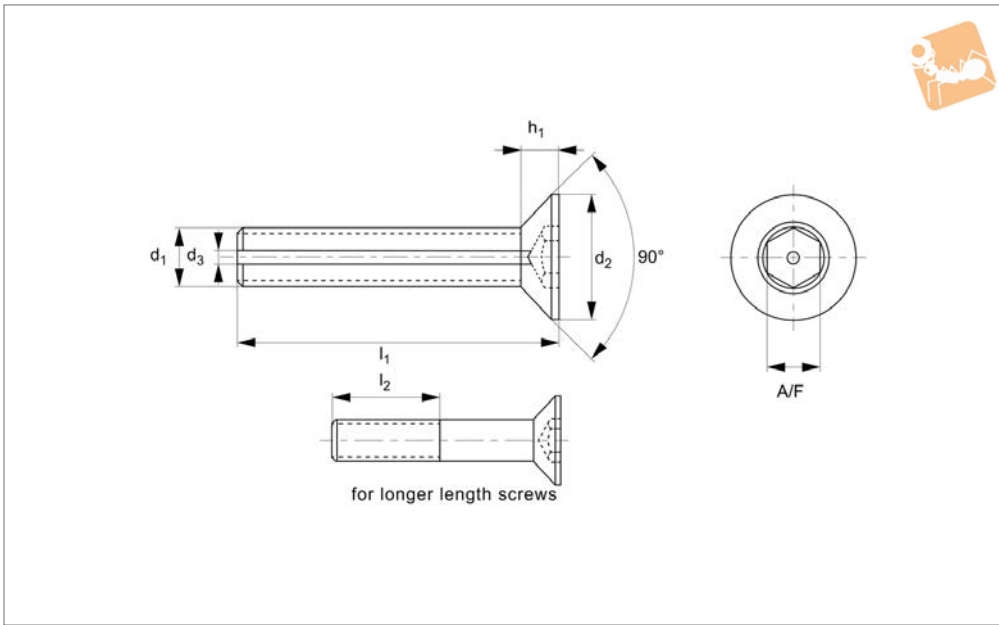
Vented Screws



P0093.A4

MADE IN BRITAIN

VENTED SCREWS



Material

Stainless steel (AISI 316, 1.4401), strength class 60.

Technical Notes

To ISO 10642 with central vent. Other sizes

can be produced to technical drawings.

Tips

These products help eliminate virtual leaks from high vacuum (HV and UHV) systems, thereby improving pump-down times.

Trapped gases at the bottom of a tapped hole are able to escape via the central vent down the middle of the screw.

Order No.	l_1	d_1	d_2	d_3	h_1	l_2	A/F
P0093.020-004-A4	4	M 2	3.8	0.8	1.3	-	1.3
P0093.020-005-A4	5	M 2	3.8	0.8	1.3	-	1.3
P0093.020-006-A4	6	M 2	3.8	0.8	1.3	-	1.3
P0093.020-008-A4	8	M 2	3.8	0.8	1.3	-	1.3
P0093.020-010-A4	10	M 2	3.8	0.8	1.3	-	1.3
P0093.020-012-A4	12	M 2	3.8	0.8	1.3	-	1.3
P0093.025-004-A4	4	M2,5	4.8	0.9	1.9	-	1.5
P0093.025-005-A4	5	M2,5	4.8	0.9	1.9	-	1.5
P0093.025-006-A4	6	M2,5	4.8	0.9	1.9	-	1.5
P0093.025-008-A4	8	M2,5	4.8	0.9	1.9	-	1.5
P0093.025-010-A4	10	M2,5	4.8	0.9	1.9	-	1.5
P0093.025-012-A4	12	M2,5	4.8	0.9	1.9	-	1.5
P0093.030-005-A4	5	M 3	6.0	1.0	1.7	-	2.0
P0093.030-006-A4	6	M 3	6.0	1.0	1.7	-	2.0
P0093.030-008-A4	8	M 3	6.0	1.0	1.7	-	2.0
P0093.030-010-A4	10	M 3	6.0	1.0	1.7	-	2.0
P0093.030-012-A4	12	M 3	6.0	1.0	1.7	-	2.0
P0093.030-016-A4	16	M 3	6.0	1.0	1.7	12	2.0
P0093.040-005-A4	5	M 4	8.0	1.0	2.3	-	2.5
P0093.040-006-A4	6	M 4	8.0	1.0	2.3	-	2.5
P0093.040-008-A4	8	M 4	8.0	1.0	2.3	-	2.5
P0093.040-010-A4	10	M 4	8.0	1.0	2.3	-	2.5
P0093.040-012-A4	12	M 4	8.0	1.0	2.3	-	2.5
P0093.040-016-A4	16	M 4	8.0	1.0	2.3	-	2.5
P0093.040-020-A4	20	M 4	8.0	1.0	2.3	14	2.5
P0093.040-025-A4	25	M 4	8.0	1.0	2.3	14	2.5
P0093.040-030-A4	30	M 4	8.0	1.0	2.3	14	2.5
P0093.040-035-A4	35	M 4	8.0	1.0	2.3	14	2.5
P0093.050-006-A4	6	M 5	10.0	1.3	2.8	-	3.0
P0093.050-008-A4	8	M 5	10.0	1.3	2.8	-	3.0
P0093.050-010-A4	10	M 5	10.0	1.3	2.8	-	3.0
P0093.050-012-A4	12	M 5	10.0	1.3	2.8	-	3.0
P0093.050-016-A4	16	M 5	10.0	1.3	2.8	-	3.0



VENTED SCREWS

Order No.	l ₁	d ₁	d ₂	d ₃	h ₁	l ₂	A/F
P0093.050-020-A4	20	M 5	10.0	1.3	2.8	16	3.0
P0093.050-025-A4	25	M 5	10.0	1.3	2.8	16	3.0
P0093.050-030-A4	30	M 5	10.0	1.3	2.8	16	3.0
P0093.050-035-A4	35	M 5	10.0	1.3	2.8	16	3.0
P0093.050-040-A4	40	M 5	10.0	1.3	2.8	16	3.0
P0093.060-008-A4	8	M 6	12.0	1.6	3.3	-	4.0
P0093.060-010-A4	10	M 6	12.0	1.6	3.3	-	4.0
P0093.060-012-A4	12	M 6	12.0	1.6	3.3	-	4.0
P0093.060-016-A4	16	M 6	12.0	1.6	3.3	-	4.0
P0093.060-020-A4	20	M 6	12.0	1.6	3.3	18	4.0
P0093.060-025-A4	25	M 6	12.0	1.6	3.3	18	4.0
P0093.060-030-A4	30	M 6	12.0	1.6	3.3	18	4.0
P0093.060-035-A4	35	M 6	12.0	1.6	3.3	18	4.0
P0093.060-040-A4	40	M 6	12.0	1.6	3.3	18	4.0
P0093.060-045-A4	45	M 6	12.0	1.6	3.3	18	4.0
P0093.060-050-A4	50	M 6	12.0	1.6	3.3	18	4.0
P0093.080-012-A4	12	M 8	16.0	1.8	4.4	-	5.0
P0093.080-016-A4	16	M 8	16.0	1.8	4.4	-	5.0
P0093.080-020-A4	20	M 8	16.0	1.8	4.4	-	5.0
P0093.080-025-A4	25	M 8	16.0	1.8	4.4	22	5.0
P0093.080-030-A4	30	M 8	16.0	1.8	4.4	22	5.0
P0093.080-035-A4	35	M 8	16.0	1.8	4.4	22	5.0
P0093.080-040-A4	40	M 8	16.0	1.8	4.4	22	5.0
P0093.080-045-A4	45	M 8	16.0	1.8	4.4	22	5.0
P0093.080-050-A4	50	M 8	16.0	1.8	4.4	22	5.0
P0093.080-055-A4	55	M 8	16.0	1.8	4.4	22	5.0
P0093.100-016-A4	16	M10	20.0	1.8	5.5	-	6.0
P0093.100-020-A4	20	M10	20.0	1.8	5.5	-	6.0
P0093.100-025-A4	25	M10	20.0	1.8	5.5	-	6.0
P0093.100-030-A4	30	M10	20.0	1.8	5.5	26	6.0
P0093.100-035-A4	35	M10	20.0	1.8	5.5	26	6.0
P0093.100-040-A4	40	M10	20.0	1.8	5.5	26	6.0
P0093.100-045-A4	45	M10	20.0	1.8	5.5	26	6.0
P0093.100-050-A4	50	M10	20.0	1.8	5.5	26	6.0
P0093.100-055-A4	55	M10	20.0	1.8	5.5	26	6.0
P0093.100-060-A4	60	M10	20.0	1.8	5.5	26	6.0
P0093.120-020-A4	20	M12	24.0	1.8	6.5	-	8.0
P0093.120-025-A4	25	M12	24.0	1.8	6.5	-	8.0
P0093.120-030-A4	30	M12	24.0	1.8	6.5	-	8.0
P0093.120-035-A4	35	M12	24.0	1.8	6.5	30	8.0
P0093.120-040-A4	40	M12	24.0	1.8	6.5	30	8.0
P0093.120-045-A4	45	M12	24.0	1.8	6.5	30	8.0
P0093.120-050-A4	50	M12	24.0	1.8	6.5	30	8.0
P0093.120-060-A4	60	M12	24.0	1.8	6.5	30	8.0
P0093.160-025-A4	25	M16	30.0	1.8	7.5	-	10.0
P0093.160-030-A4	30	M16	30.0	1.8	7.5	-	10.0
P0093.160-035-A4	35	M16	30.0	1.8	7.5	-	10.0
P0093.160-040-A4	40	M16	30.0	1.8	7.5	38	10.0
P0093.160-045-A4	45	M16	30.0	1.8	7.5	38	10.0
P0093.160-050-A4	50	M16	30.0	1.8	7.5	38	10.0
P0093.160-060-A4	60	M16	30.0	1.8	7.5	38	10.0