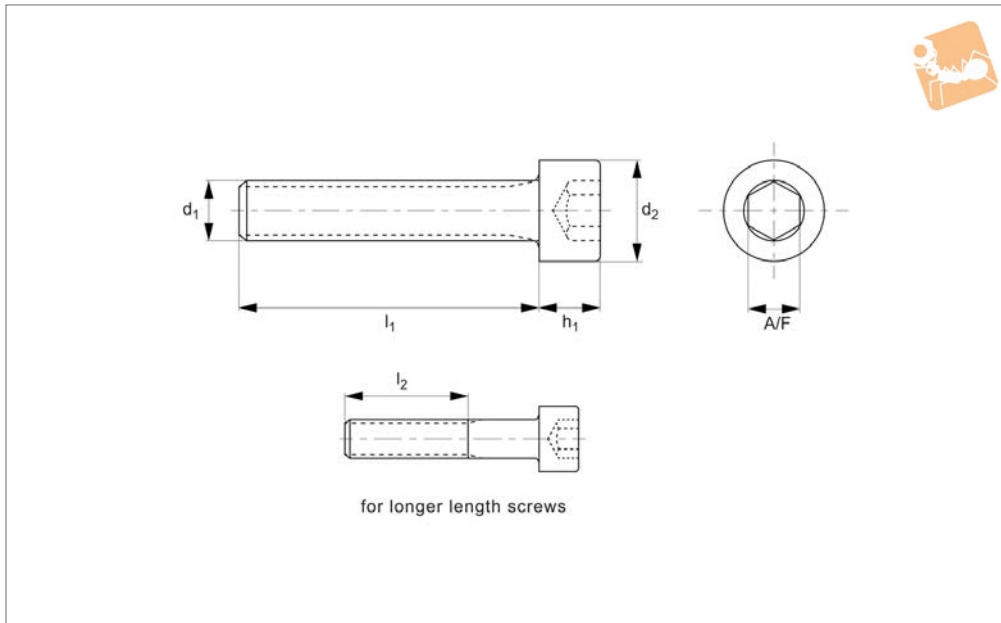




Socket Cap Screw - M8 - M20

DIN 912 Gr.2



P0100.2

TITANIUM SCREWS

Material

Titanium Grade 2 (commercial grade, high corrosion resistance, strong weldability, standard strength).

Technical Notes

Items to DIN 912 where stated in data

table.

For the majority of screw lengths the threads goes all the way to the head of the screw (i.e. $l_1 = l_2$) less 2.5 thread pitches.

For longer length screws the threaded portion $l_2 < l_1$.

Order No.	Finish	d ₁	l ₁	d ₂	h ₁	l ₂	A/F	Grade	Material	To standard
P0100.080-085-G2	Natural	M 8	85	13	8	28	6	Comm	Ti-G2	DIN 912
P0100.080-090-G2	Natural	M 8	90	13	8	28	6	Comm	Ti-G2	DIN 912
P0100.080-100-G2	Natural	M 8	100	13	8	28	6	Comm	Ti-G2	DIN 912
P0100.080-110-G2	Natural	M 8	110	13	8	28	6	Comm	Ti-G2	DIN 912
P0100.100-045-G2	Natural	M10	45	16	10	32	8	Comm	Ti-G2	DIN 912
P0100.100-120-G2	Natural	M10	120	16	10	32	8	Comm	Ti-G2	DIN 912
P0100.120-030-G2	Natural	M12	30	19	12	34	10	Comm	Ti-G2	DIN 912
P0100.120-040-G2	Natural	M12	40	19	12	34	10	Comm	Ti-G2	DIN 912