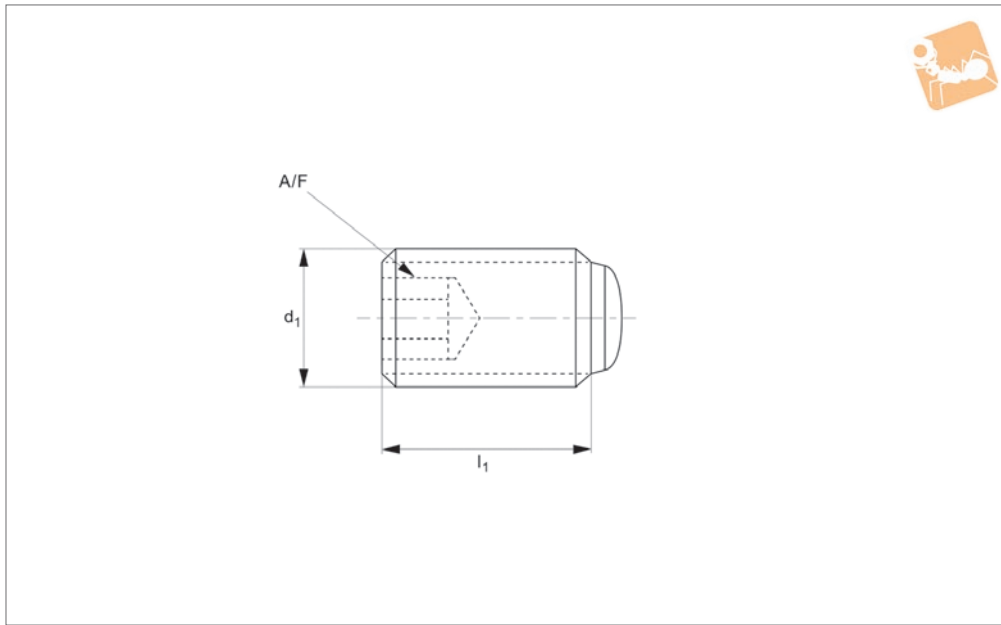




Solder Tipped Set Screws

hex. socket

Tipped Screws



P0129

TIPPED SCREWS

Material

Stainless steel (A2), with silver solder (semi-soft) tip.

face control, will not mar or damage shaft or part.

Length of screw excludes length of silver solder tip.

Technical Notes

Self-locking, extra holding power for full

Order No.	d ₁	l ₁ nom.	A/F
P0129.020-003	M 2	3	0.9
P0129.020-004	M 2	4	0.9
P0129.020-005	M 2	5	0.9
P0129.020-006	M 2	6	0.9
P0129.030-003	M 3	3	1.5
P0129.030-004	M 3	4	1.5
P0129.030-005	M 3	5	1.5
P0129.030-006	M 3	6	1.5
P0129.040-004	M 4	4	2.0
P0129.040-006	M 4	6	2.0
P0129.040-010	M 4	10	2.0
P0129.040-014	M 4	14	2.0
P0129.050-006	M 5	6	2.5
P0129.050-010	M 5	10	2.5
P0129.050-014	M 5	14	2.5
P0129.050-020	M 5	20	2.5
P0129.060-006	M 6	6	3.0
P0129.060-010	M 6	10	3.0
P0129.060-016	M 6	16	3.0
P0129.060-025	M 6	25	3.0
P0129.080-010	M 8	10	4.0
P0129.080-016	M 8	16	4.0
P0129.080-025	M 8	25	4.0
P0129.100-012	M10	12	5.0
P0129.100-020	M10	20	5.0
P0129.100-030	M10	30	5.0