



Extra Low Head Cap Screws

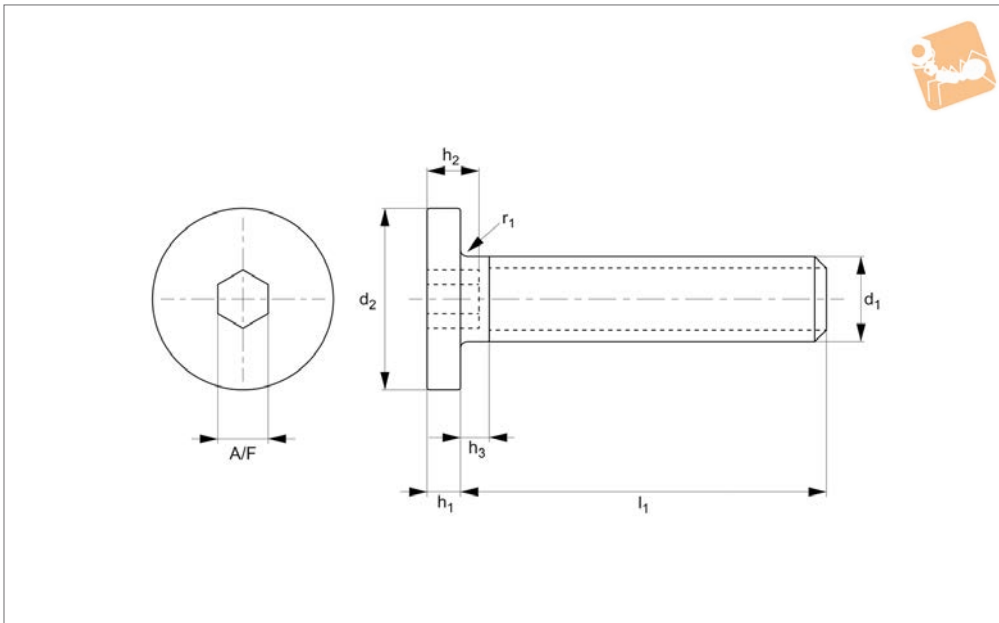
hex. drive - 316 series stainless - blackened

Standard Screws



P0207.B4

STANDARD SCREWS



Material

Stainless steel (AISI 316, 1.4401), blackened. This grade has a higher resistance to corrosion than 303 series stainless and is suitable for outdoor use and

marine environments.
Tensile strength ~500N/mm² minimum.

Technical Notes

Extra low head cap screws reduce the screw

head height space. They require no countersinking unlike flat head screws.

Order No.	d ₁	d ₂	h ₁	h ₂ max.	h ₃ max.	l ₁	r ₁	A/F	Torque to Nm max.
P0207.020-003-B4	M 2	4	1.5	1.2	1.2	3	0.10	1.3	0.16
P0207.020-004-B4	M 2	4	1.5	1.2	1.2	4	0.10	1.3	0.16
P0207.020-005-B4	M 2	4	1.5	1.2	1.2	5	0.10	1.3	0.16
P0207.020-006-B4	M 2	4	1.5	1.2	1.2	6	0.10	1.3	0.16
P0207.020-008-B4	M 2	4	1.5	1.2	1.2	8	0.10	1.3	0.16
P0207.020-010-B4	M 2	4	1.5	1.2	1.2	10	0.10	1.3	0.16
P0207.020-012-B4	M 2	4	1.5	1.2	1.2	12	0.10	1.3	0.16
P0207.025-003-B4	M 2,5	5	1.5	1.5	1.5	3	0.10	1.3	0.35
P0207.025-004-B4	M 2,5	5	1.5	1.5	1.5	4	0.10	1.3	0.35
P0207.025-005-B4	M 2,5	5	1.5	1.5	1.5	5	0.10	1.3	0.35
P0207.025-006-B4	M 2,5	5	1.5	1.5	1.5	6	0.10	1.3	0.35
P0207.025-008-B4	M 2,5	5	1.5	1.5	1.5	8	0.10	1.3	0.35
P0207.025-010-B4	M 2,5	5	1.5	1.5	1.5	10	0.10	1.3	0.35
P0207.025-012-B4	M 2,5	5	1.5	1.5	1.5	12	0.10	1.3	0.35
P0207.030-004-B4	M 3	6	1.5	2.0	1.6	4	0.10	1.5	0.60
P0207.030-005-B4	M 3	6	1.5	2.0	1.6	5	0.10	1.5	0.60
P0207.030-006-B4	M 3	6	1.5	2.0	1.6	6	0.10	1.5	0.60
P0207.030-008-B4	M 3	6	1.5	2.0	1.6	8	0.10	1.5	0.60
P0207.030-010-B4	M 3	6	1.5	2.0	1.6	10	0.10	1.5	0.60
P0207.030-012-B4	M 3	6	1.5	2.0	1.6	12	0.10	1.5	0.60
P0207.030-014-B4	M 3	6	1.5	2.0	1.6	14	0.10	1.5	0.60
P0207.030-016-B4	M 3	6	1.5	2.0	1.6	16	0.10	1.5	0.60
P0207.040-005-B4	M 4	8	1.5	2.5	1.6	5	0.20	2.0	1.10
P0207.040-006-B4	M 4	8	1.5	2.5	1.6	6	0.20	2.0	1.10
P0207.040-008-B4	M 4	8	1.5	2.5	1.6	8	0.20	2.0	1.10
P0207.040-010-B4	M 4	8	1.5	2.5	1.6	10	0.20	2.0	1.10
P0207.040-012-B4	M 4	8	1.5	2.5	1.6	12	0.20	2.0	1.10
P0207.040-014-B4	M 4	8	1.5	2.5	1.6	14	0.20	2.0	1.10
P0207.040-016-B4	M 4	8	1.5	2.5	1.6	16	0.20	2.0	1.10
P0207.040-018-B4	M 4	8	1.5	2.5	1.6	18	0.20	2.0	1.10
P0207.040-020-B4	M 4	8	1.5	2.5	1.6	20	0.20	2.0	1.10
P0207.050-006-B4	M 5	9	1.5	3.0	2.0	6	0.20	3.0	2.20



STANDARD SCREWS

Order No.	d ₁	d ₂	h ₁	h ₂ max.	h ₃ max.	l ₁	r ₁	A/F	Torque to Nm max.
P0207.050-008-B4	M 5	9	1.5	3.0	2.0	8	0.20	3.0	2.20
P0207.050-010-B4	M 5	9	1.5	3.0	2.0	10	0.20	3.0	2.20
P0207.050-012-B4	M 5	9	1.5	3.0	2.0	12	0.20	3.0	2.20
P0207.050-014-B4	M 5	9	1.5	3.0	2.0	14	0.20	3.0	2.20
P0207.050-016-B4	M 5	9	1.5	3.0	2.0	16	0.20	3.0	2.20
P0207.050-018-B4	M 5	9	1.5	3.0	2.0	18	0.20	3.0	2.20
P0207.050-020-B4	M 5	9	1.5	3.0	2.0	20	0.20	3.0	2.20
P0207.050-025-B4	M 5	9	1.5	3.0	2.0	25	0.20	3.0	2.20
P0207.060-006-B4	M 6	10	1.5	4.0	2.5	6	0.25	3.0	5.0
P0207.060-008-B4	M 6	10	1.5	4.0	2.5	8	0.25	3.0	5.0
P0207.060-010-B4	M 6	10	1.5	4.0	2.5	10	0.25	3.0	5.0
P0207.060-012-B4	M 6	10	1.5	4.0	2.5	12	0.25	3.0	5.0
P0207.060-014-B4	M 6	10	1.5	4.0	2.5	14	0.25	3.0	5.0
P0207.060-016-B4	M 6	10	1.5	4.0	2.5	16	0.25	3.0	5.0
P0207.060-018-B4	M 6	10	1.5	4.0	2.5	18	0.25	3.0	5.0
P0207.060-020-B4	M 6	10	1.5	4.0	2.5	20	0.25	3.0	5.0
P0207.060-025-B4	M 6	10	1.5	4.0	2.5	25	0.25	3.0	5.0
P0207.060-030-B4	M 6	10	1.5	4.0	2.5	30	0.25	3.0	5.0
P0207.080-006-B4	M 8	13	1.5	5.0	3.0	6	0.40	4.0	10.1
P0207.080-008-B4	M 8	13	1.5	5.0	3.0	8	0.40	4.0	10.1
P0207.080-010-B4	M 8	13	1.5	5.0	3.0	10	0.40	4.0	10.1
P0207.080-012-B4	M 8	13	1.5	5.0	3.0	12	0.40	4.0	10.1
P0207.080-014-B4	M 8	13	1.5	5.0	3.0	14	0.40	4.0	10.1
P0207.080-016-B4	M 8	13	1.5	5.0	3.0	16	0.40	4.0	10.1
P0207.080-018-B4	M 8	13	1.5	5.0	3.0	18	0.40	4.0	10.1
P0207.080-020-B4	M 8	13	1.5	5.0	3.0	20	0.40	4.0	10.1
P0207.080-025-B4	M 8	13	1.5	5.0	3.0	25	0.40	4.0	10.1
P0207.080-030-B4	M 8	13	1.5	5.0	3.0	30	0.40	4.0	10.1
P0207.100-010-B4	M10	16	1.5	6.0	3.5	10	0.40	5.0	17.5
P0207.100-012-B4	M10	16	1.5	6.0	3.5	12	0.40	5.0	17.5
P0207.100-014-B4	M10	16	1.5	6.0	3.5	14	0.40	5.0	17.5
P0207.100-016-B4	M10	16	1.5	6.0	3.5	16	0.40	5.0	17.5
P0207.100-018-B4	M10	16	1.5	6.0	3.5	18	0.40	5.0	17.5
P0207.100-020-B4	M10	16	1.5	6.0	3.5	20	0.40	5.0	17.5
P0207.100-025-B4	M10	16	1.5	6.0	3.5	25	0.40	5.0	17.5
P0207.100-030-B4	M10	16	1.5	6.0	3.5	30	0.40	5.0	17.5