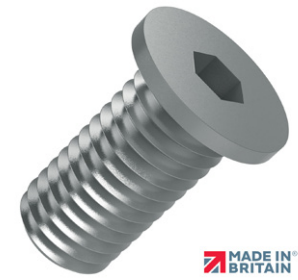




Extra Low Head Cap Screws

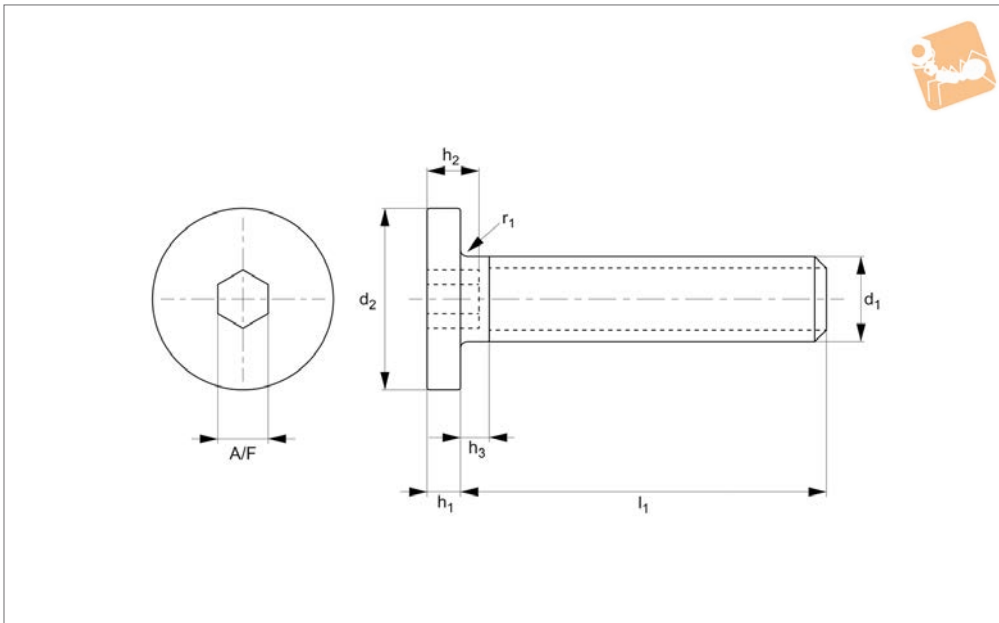
hex. drive - titanium

Standard Screws



P0207.Ti

STANDARD SCREWS



Material

Titanium (ASTM B348 grades 2 and 5). Titanium has outstanding corrosion resistance and a very high strength-to-weight ratio.

Grade 2 titanium is pure titanium and grade 5 titanium is the alloy Ti6Al4V.

Technical Notes

Extra low head cap screws reduce the screw head height space. They require no countersinking unlike flat head screws.

Order No.	d ₁	d ₂	h ₁	h ₂ max.	h ₃ max.	l ₁	r ₁	A/F	Torque to Nm max.	Material grade
P0207.020-003-T2	M 2	4	1.5	1.2	1.2	3	0.10	1.3	0.16	titanium grade 2
P0207.020-004-T2	M 2	4	1.5	1.2	1.2	4	0.10	1.3	0.16	titanium grade 2
P0207.020-005-T2	M 2	4	1.5	1.2	1.2	5	0.10	1.3	0.16	titanium grade 2
P0207.020-006-T2	M 2	4	1.5	1.2	1.2	6	0.10	1.3	0.16	titanium grade 2
P0207.020-008-T2	M 2	4	1.5	1.2	1.2	8	0.10	1.3	0.16	titanium grade 2
P0207.020-010-T2	M 2	4	1.5	1.2	1.2	10	0.10	1.3	0.16	titanium grade 2
P0207.020-012-T2	M 2	4	1.5	1.2	1.2	12	0.10	1.3	0.16	titanium grade 2
P0207.025-003-T2	M 2,5	5	1.5	1.5	1.5	3	0.10	1.3	0.35	titanium grade 2
P0207.025-004-T2	M 2,5	5	1.5	1.5	1.5	4	0.10	1.3	0.35	titanium grade 2
P0207.025-005-T2	M 2,5	5	1.5	1.5	1.5	5	0.10	1.3	0.35	titanium grade 2
P0207.025-006-T2	M 2,5	5	1.5	1.5	1.5	6	0.10	1.3	0.35	titanium grade 2
P0207.025-008-T2	M 2,5	5	1.5	1.5	1.5	8	0.10	1.3	0.35	titanium grade 2
P0207.025-010-T2	M 2,5	5	1.5	1.5	1.5	10	0.10	1.3	0.35	titanium grade 2
P0207.025-012-T2	M 2,5	5	1.5	1.5	1.5	12	0.10	1.3	0.35	titanium grade 2
P0207.030-004-T2	M 3	6	1.5	2.0	1.6	4	0.10	1.5	0.6	titanium grade 2
P0207.030-005-T2	M 3	6	1.5	2.0	1.6	5	0.10	1.5	0.6	titanium grade 2
P0207.030-006-T2	M 3	6	1.5	2.0	1.6	6	0.10	1.5	0.6	titanium grade 2
P0207.030-008-T2	M 3	6	1.5	2.0	1.6	8	0.10	1.5	0.6	titanium grade 2
P0207.030-010-T2	M 3	6	1.5	2.0	1.6	10	0.10	1.5	0.6	titanium grade 2
P0207.030-012-T2	M 3	6	1.5	2.0	1.6	12	0.10	1.5	0.6	titanium grade 2
P0207.030-014-T2	M 3	6	1.5	2.0	1.6	14	0.10	1.5	0.6	titanium grade 2
P0207.030-016-T2	M 3	6	1.5	2.0	1.6	16	0.10	1.5	0.6	titanium grade 2
P0207.040-005-T2	M 4	8	1.5	2.5	1.6	5	0.20	2.0	1.1	titanium grade 2
P0207.040-006-T2	M 4	8	1.5	2.5	1.6	6	0.20	2.0	1.1	titanium grade 2
P0207.040-008-T2	M 4	8	1.5	2.5	1.6	8	0.20	2.0	1.1	titanium grade 2
P0207.040-010-T2	M 4	8	1.5	2.5	1.6	10	0.20	2.0	1.1	titanium grade 2
P0207.040-012-T2	M 4	8	1.5	2.5	1.6	12	0.20	2.0	1.1	titanium grade 2
P0207.040-014-T2	M 4	8	1.5	2.5	1.6	14	0.20	2.0	1.1	titanium grade 2
P0207.040-016-T2	M 4	8	1.5	2.5	1.6	16	0.20	2.0	1.1	titanium grade 2
P0207.040-018-T2	M 4	8	1.5	2.5	1.6	18	0.20	2.0	1.1	titanium grade 2
P0207.040-020-T2	M 4	8	1.5	2.5	1.6	20	0.20	2.0	1.1	titanium grade 2
P0207.050-006-T2	M 5	9	1.5	3.0	2.0	6	0.20	3.0	2.2	titanium grade 2
P0207.050-008-T2	M 5	9	1.5	3.0	2.0	8	0.20	3.0	2.2	titanium grade 2



STANDARD SCREWS

Order No.	d ₁	d ₂	h ₁	h ₂ max.	h ₃ max.	l ₁	r ₁	A/F	Torque to Nm max.	Material grade
P0207.050-010-T2	M 5	9	1.5	3.0	2.0	10	0.20	3.0	2.2	titanium grade 2
P0207.050-012-T2	M 5	9	1.5	3.0	2.0	12	0.20	3.0	2.2	titanium grade 2
P0207.050-014-T2	M 5	9	1.5	3.0	2.0	14	0.20	3.0	2.2	titanium grade 2
P0207.050-016-T2	M 5	9	1.5	3.0	2.0	16	0.20	3.0	2.2	titanium grade 2
P0207.050-018-T2	M 5	9	1.5	3.0	2.0	18	0.20	3.0	2.2	titanium grade 2
P0207.050-020-T2	M 5	9	1.5	3.0	2.0	20	0.20	3.0	2.2	titanium grade 2
P0207.050-025-T2	M 5	9	1.5	3.0	2.0	25	0.20	3.0	2.2	titanium grade 2
P0207.060-006-T2	M 6	10	1.5	4.0	2.5	6	0.25	3.0	5.0	titanium grade 2
P0207.060-008-T2	M 6	10	1.5	4.0	2.5	8	0.25	3.0	5.0	titanium grade 2
P0207.060-010-T2	M 6	10	1.5	4.0	2.5	10	0.25	3.0	5.0	titanium grade 2
P0207.060-012-T2	M 6	10	1.5	4.0	2.5	12	0.25	3.0	5.0	titanium grade 2
P0207.060-014-T2	M 6	10	1.5	4.0	2.5	14	0.25	3.0	5.0	titanium grade 2
P0207.060-016-T2	M 6	10	1.5	4.0	2.5	16	0.25	3.0	5.0	titanium grade 2
P0207.060-018-T2	M 6	10	1.5	4.0	2.5	18	0.25	3.0	5.0	titanium grade 2
P0207.060-020-T2	M 6	10	1.5	4.0	2.5	20	0.25	3.0	5.0	titanium grade 2
P0207.060-025-T2	M 6	10	1.5	4.0	2.5	25	0.25	3.0	5.0	titanium grade 2
P0207.060-030-T2	M 6	10	1.5	4.0	2.5	30	0.25	3.0	5.0	titanium grade 2
P0207.080-006-T2	M 8	13	1.5	5.0	3.0	6	0.40	4.0	10.1	titanium grade 2
P0207.080-008-T2	M 8	13	1.5	5.0	3.0	8	0.40	4.0	10.1	titanium grade 2
P0207.080-010-T2	M 8	13	1.5	5.0	3.0	10	0.40	4.0	10.1	titanium grade 2
P0207.080-012-T2	M 8	13	1.5	5.0	3.0	12	0.40	4.0	10.1	titanium grade 2
P0207.080-014-T2	M 8	13	1.5	5.0	3.0	14	0.40	4.0	10.1	titanium grade 2
P0207.080-016-T2	M 8	13	1.5	5.0	3.0	16	0.40	4.0	10.1	titanium grade 2
P0207.080-018-T2	M 8	13	1.5	5.0	3.0	18	0.40	4.0	10.1	titanium grade 2
P0207.080-020-T2	M 8	13	1.5	5.0	3.0	20	0.40	4.0	10.1	titanium grade 2
P0207.080-025-T2	M 8	13	1.5	5.0	3.0	25	0.40	4.0	10.1	titanium grade 2
P0207.080-030-T2	M 8	13	1.5	5.0	3.0	30	0.40	4.0	10.1	titanium grade 2
P0207.100-010-T2	M10	16	1.5	6.0	3.5	10	0.40	5.0	17.5	titanium grade 2
P0207.100-012-T2	M10	16	1.5	6.0	3.5	12	0.40	5.0	17.5	titanium grade 2
P0207.100-014-T2	M10	16	1.5	6.0	3.5	14	0.40	5.0	17.5	titanium grade 2
P0207.100-016-T2	M10	16	1.5	6.0	3.5	16	0.40	5.0	17.5	titanium grade 2
P0207.100-018-T2	M10	16	1.5	6.0	3.5	18	0.40	5.0	17.5	titanium grade 2
P0207.100-020-T2	M10	16	1.5	6.0	3.5	20	0.40	5.0	17.5	titanium grade 2
P0207.100-025-T2	M10	16	1.5	6.0	3.5	25	0.40	5.0	17.5	titanium grade 2
P0207.100-030-T2	M10	16	1.5	6.0	3.5	30	0.40	5.0	17.5	titanium grade 2
P0207.020-003-T5	M 2	4	1.5	1.2	1.2	3	0.10	1.3	0.16	titanium grade 5
P0207.020-004-T5	M 2	4	1.5	1.2	1.2	4	0.10	1.3	0.16	titanium grade 5
P0207.020-005-T5	M 2	4	1.5	1.2	1.2	5	0.10	1.3	0.16	titanium grade 5
P0207.020-006-T5	M 2	4	1.5	1.2	1.2	6	0.10	1.3	0.16	titanium grade 5
P0207.020-008-T5	M 2	4	1.5	1.2	1.2	8	0.10	1.3	0.16	titanium grade 5
P0207.020-010-T5	M 2	4	1.5	1.2	1.2	10	0.10	1.3	0.16	titanium grade 5
P0207.020-012-T5	M 2	4	1.5	1.2	1.2	12	0.10	1.3	0.16	titanium grade 5
P0207.025-003-T5	M 2,5	5	1.5	1.5	1.5	3	0.10	1.3	0.35	titanium grade 5
P0207.025-004-T5	M 2,5	5	1.5	1.5	1.5	4	0.10	1.3	0.35	titanium grade 5
P0207.025-005-T5	M 2,5	5	1.5	1.5	1.5	5	0.10	1.3	0.35	titanium grade 5
P0207.025-006-T5	M 2,5	5	1.5	1.5	1.5	6	0.10	1.3	0.35	titanium grade 5
P0207.025-008-T5	M 2,5	5	1.5	1.5	1.5	8	0.10	1.3	0.35	titanium grade 5
P0207.025-010-T5	M 2,5	5	1.5	1.5	1.5	10	0.10	1.3	0.35	titanium grade 5
P0207.025-012-T5	M 2,5	5	1.5	1.5	1.5	12	0.10	1.3	0.35	titanium grade 5
P0207.030-004-T5	M 3	6	1.5	2.0	1.6	4	0.10	1.5	0.6	titanium grade 5
P0207.030-005-T5	M 3	6	1.5	2.0	1.6	5	0.10	1.5	0.6	titanium grade 5
P0207.030-006-T5	M 3	6	1.5	2.0	1.6	6	0.10	1.5	0.6	titanium grade 5
P0207.030-008-T5	M 3	6	1.5	2.0	1.6	8	0.10	1.5	0.6	titanium grade 5
P0207.030-010-T5	M 3	6	1.5	2.0	1.6	10	0.10	1.5	0.6	titanium grade 5
P0207.030-012-T5	M 3	6	1.5	2.0	1.6	12	0.10	1.5	0.6	titanium grade 5
P0207.030-014-T5	M 3	6	1.5	2.0	1.6	14	0.10	1.5	0.6	titanium grade 5
P0207.030-016-T5	M 3	6	1.5	2.0	1.6	16	0.10	1.5	0.6	titanium grade 5
P0207.040-005-T5	M 4	8	1.5	2.5	1.6	5	0.20	2.0	1.1	titanium grade 5
P0207.040-006-T5	M 4	8	1.5	2.5	1.6	6	0.20	2.0	1.1	titanium grade 5
P0207.040-008-T5	M 4	8	1.5	2.5	1.6	8	0.20	2.0	1.1	titanium grade 5
P0207.040-010-T5	M 4	8	1.5	2.5	1.6	10	0.20	2.0	1.1	titanium grade 5
P0207.040-012-T5	M 4	8	1.5	2.5	1.6	12	0.20	2.0	1.1	titanium grade 5
P0207.040-014-T5	M 4	8	1.5	2.5	1.6	14	0.20	2.0	1.1	titanium grade 5
P0207.040-016-T5	M 4	8	1.5	2.5	1.6	16	0.20	2.0	1.1	titanium grade 5
P0207.040-018-T5	M 4	8	1.5	2.5	1.6	18	0.20	2.0	1.1	titanium grade 5
P0207.040-020-T5	M 4	8	1.5	2.5	1.6	20	0.20	2.0	1.1	titanium grade 5
P0207.050-006-T5	M 5	9	1.5	3.0	2.0	6	0.20	3.0	2.2	titanium grade 5



Extra Low Head Cap Screws

hex. drive - titanium

Standard Screws



Order No.	d ₁	d ₂	h ₁	h ₂ max.	h ₃ max.	l ₁	r ₁	A/F	Torque to Nm max.	Material grade
P0207.050-008-T5	M 5	9	1.5	3.0	2.0	8	0.20	3.0	2.2	titanium grade 5
P0207.050-010-T5	M 5	9	1.5	3.0	2.0	10	0.20	3.0	2.2	titanium grade 5
P0207.050-012-T5	M 5	9	1.5	3.0	2.0	12	0.20	3.0	2.2	titanium grade 5
P0207.050-014-T5	M 5	9	1.5	3.0	2.0	14	0.20	3.0	2.2	titanium grade 5
P0207.050-016-T5	M 5	9	1.5	3.0	2.0	16	0.20	3.0	2.2	titanium grade 5
P0207.050-018-T5	M 5	9	1.5	3.0	2.0	18	0.20	3.0	2.2	titanium grade 5
P0207.050-020-T5	M 5	9	1.5	3.0	2.0	20	0.20	3.0	2.2	titanium grade 5
P0207.050-025-T5	M 5	9	1.5	3.0	2.0	25	0.20	3.0	2.2	titanium grade 5
P0207.060-006-T5	M 6	10	1.5	4.0	2.5	6	0.25	3.0	5.0	titanium grade 5
P0207.060-008-T5	M 6	10	1.5	4.0	2.5	8	0.25	3.0	5.0	titanium grade 5
P0207.060-010-T5	M 6	10	1.5	4.0	2.5	10	0.25	3.0	5.0	titanium grade 5
P0207.060-012-T5	M 6	10	1.5	4.0	2.5	12	0.25	3.0	5.0	titanium grade 5
P0207.060-014-T5	M 6	10	1.5	4.0	2.5	14	0.25	3.0	5.0	titanium grade 5
P0207.060-016-T5	M 6	10	1.5	4.0	2.5	16	0.25	3.0	5.0	titanium grade 5
P0207.060-018-T5	M 6	10	1.5	4.0	2.5	18	0.25	3.0	5.0	titanium grade 5
P0207.060-020-T5	M 6	10	1.5	4.0	2.5	20	0.25	3.0	5.0	titanium grade 5
P0207.060-025-T5	M 6	10	1.5	4.0	2.5	25	0.25	3.0	5.0	titanium grade 5
P0207.060-030-T5	M 6	10	1.5	4.0	2.5	30	0.25	3.0	5.0	titanium grade 5
P0207.080-006-T5	M 8	13	1.5	5.0	3.0	6	0.40	4.0	10.1	titanium grade 5
P0207.080-008-T5	M 8	13	1.5	5.0	3.0	8	0.40	4.0	10.1	titanium grade 5
P0207.080-010-T5	M 8	13	1.5	5.0	3.0	10	0.40	4.0	10.1	titanium grade 5
P0207.080-012-T5	M 8	13	1.5	5.0	3.0	12	0.40	4.0	10.1	titanium grade 5
P0207.080-014-T5	M 8	13	1.5	5.0	3.0	14	0.40	4.0	10.1	titanium grade 5
P0207.080-016-T5	M 8	13	1.5	5.0	3.0	16	0.40	4.0	10.1	titanium grade 5
P0207.080-018-T5	M 8	13	1.5	5.0	3.0	18	0.40	4.0	10.1	titanium grade 5
P0207.080-020-T5	M 8	13	1.5	5.0	3.0	20	0.40	4.0	10.1	titanium grade 5
P0207.080-025-T5	M 8	13	1.5	5.0	3.0	25	0.40	4.0	10.1	titanium grade 5
P0207.080-030-T5	M 8	13	1.5	5.0	3.0	30	0.40	4.0	10.1	titanium grade 5
P0207.100-010-T5	M10	16	1.5	6.0	3.5	10	0.40	5.0	17.5	titanium grade 5
P0207.100-012-T5	M10	16	1.5	6.0	3.5	12	0.40	5.0	17.5	titanium grade 5
P0207.100-014-T5	M10	16	1.5	6.0	3.5	14	0.40	5.0	17.5	titanium grade 5
P0207.100-016-T5	M10	16	1.5	6.0	3.5	16	0.40	5.0	17.5	titanium grade 5
P0207.100-018-T5	M10	16	1.5	6.0	3.5	18	0.40	5.0	17.5	titanium grade 5
P0207.100-020-T5	M10	16	1.5	6.0	3.5	20	0.40	5.0	17.5	titanium grade 5
P0207.100-025-T5	M10	16	1.5	6.0	3.5	25	0.40	5.0	17.5	titanium grade 5
P0207.100-030-T5	M10	16	1.5	6.0	3.5	30	0.40	5.0	17.5	titanium grade 5

STANDARD SCREWS