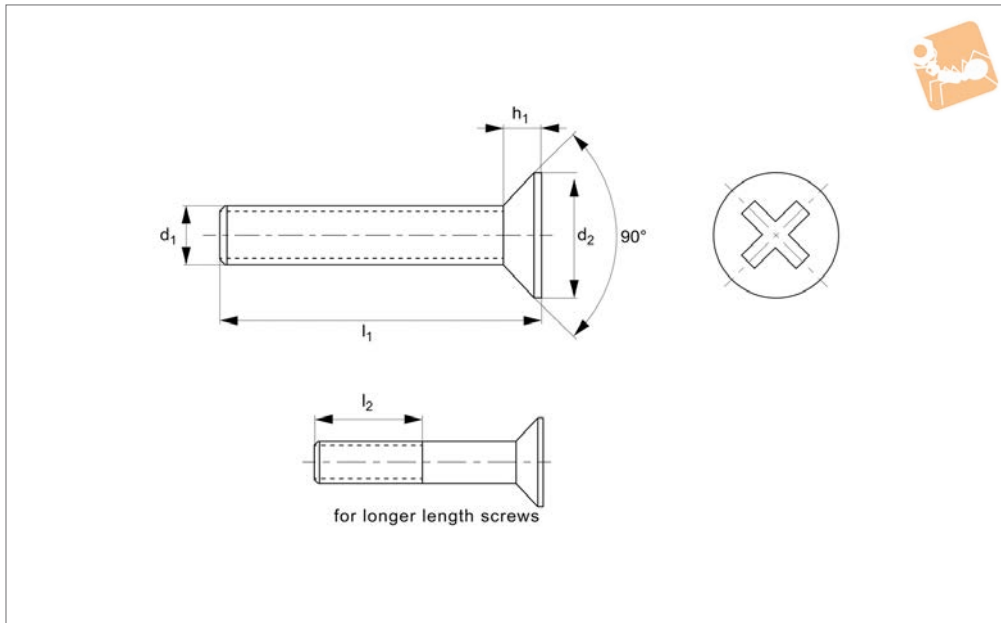




Phillips Countersunk Machine Screws

Phillips - A4 stainless

Standard Screws



P0220.A4

STANDARD SCREWS

Material

Stainless steel A4.

Technical Notes

To DIN 965 H, ISO 7046. For the majority of

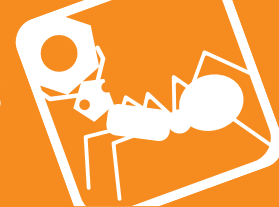
screw lengths the threads goes all the way to the head of the screw (i.e. $l_1 = l_2$) less 2.5 thread pitches.

For longer length screws the threaded

portion $l_2 < l_1$.

See technical page for tightening torques.

Order No.	d_1	l_1	d_2	l_2	h_1	Size
P0220.016-003-A4	M1,6	3	3.0	-	0.96	PH-0
P0220.016-004-A4	M1,6	4	3.0	-	0.96	PH-0
P0220.016-005-A4	M1,6	5	3.0	-	0.96	PH-0
P0220.016-006-A4	M1,6	6	3.0	-	0.96	PH-0
P0220.016-008-A4	M1,6	8	3.0	-	0.96	PH-0
P0220.016-010-A4	M1,6	10	3.0	-	0.96	PH-0
P0220.016-012-A4	M1,6	12	3.0	-	0.96	PH-0
P0220.016-014-A4	M1,6	14	3.0	-	0.96	PH-0
P0220.016-016-A4	M1,6	16	3.0	-	0.96	PH-0
P0220.020-003-A4	M 2	3	3.8	-	1.20	PH-1
P0220.020-004-A4	M 2	4	3.8	-	1.20	PH-1
P0220.020-005-A4	M 2	5	3.8	-	1.20	PH-1
P0220.020-006-A4	M 2	6	3.8	-	1.20	PH-1
P0220.020-008-A4	M 2	8	3.8	-	1.20	PH-1
P0220.020-010-A4	M 2	10	3.8	-	1.20	PH-1
P0220.020-012-A4	M 2	12	3.8	-	1.20	PH-1
P0220.020-014-A4	M 2	14	3.8	-	1.20	PH-1
P0220.020-016-A4	M 2	16	3.8	-	1.20	PH-1
P0220.020-018-A4	M 2	18	3.8	-	1.20	PH-1
P0220.020-020-A4	M 2	20	3.8	-	1.20	PH-1
P0220.025-004-A4	M2,5	4	4.7	-	1.50	PH-1
P0220.025-005-A4	M2,5	5	4.7	-	1.50	PH-1
P0220.025-006-A4	M2,5	6	4.7	-	1.50	PH-1
P0220.025-008-A4	M2,5	8	4.7	-	1.50	PH-1
P0220.025-010-A4	M2,5	10	4.7	-	1.50	PH-1
P0220.025-012-A4	M2,5	12	4.7	-	1.50	PH-1
P0220.025-014-A4	M2,5	14	4.7	-	1.50	PH-1
P0220.025-016-A4	M2,5	16	4.7	-	1.50	PH-1
P0220.025-018-A4	M2,5	18	4.7	-	1.50	PH-1
P0220.025-020-A4	M2,5	20	4.7	-	1.50	PH-1
P0220.030-004-A4	M 3	4	5.6	-	1.65	PH-1
P0220.030-005-A4	M 3	5	5.6	-	1.65	PH-1
P0220.030-006-A4	M 3	6	5.6	-	1.65	PH-1
P0220.030-008-A4	M 3	8	5.6	-	1.65	PH-1



STANDARD SCREWS

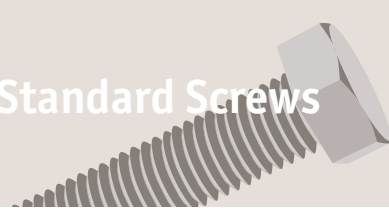
Order No.	d ₁	l ₁	d ₂	l ₂	h ₁	Size
P0220.030-010-A4	M 3	10	5.6	-	1.65	PH-1
P0220.030-012-A4	M 3	12	5.6	-	1.65	PH-1
P0220.030-014-A4	M 3	14	5.6	-	1.65	PH-1
P0220.030-016-A4	M 3	16	5.6	-	1.65	PH-1
P0220.030-018-A4	M 3	18	5.6	-	1.65	PH-1
P0220.030-020-A4	M 3	20	5.6	-	1.65	PH-1
P0220.030-022-A4	M 3	22	5.6	19	1.65	PH-1
P0220.030-025-A4	M 3	25	5.6	19	1.65	PH-1
P0220.030-030-A4	M 3	30	5.6	19	1.65	PH-1
P0220.030-035-A4	M 3	35	5.6	19	1.65	PH-1
P0220.030-040-A4	M 3	40	5.6	19	1.65	PH-1
P0220.030-045-A4	M 3	45	5.6	19	1.65	PH-1
P0220.030-050-A4	M 3	50	5.6	19	1.65	PH-1
P0220.030-055-A4	M 3	55	5.6	19	1.65	PH-1
P0220.030-060-A4	M 3	60	5.6	19	1.65	PH-1
P0220.040-005-A4	M 4	5	7.5	-	2.2	PH-2
P0220.040-006-A4	M 4	6	7.5	-	2.2	PH-2
P0220.040-008-A4	M 4	8	7.5	-	2.2	PH-2
P0220.040-010-A4	M 4	10	7.5	-	2.2	PH-2
P0220.040-012-A4	M 4	12	7.5	-	2.2	PH-2
P0220.040-014-A4	M 4	14	7.5	-	2.2	PH-2
P0220.040-016-A4	M 4	16	7.5	-	2.2	PH-2
P0220.040-018-A4	M 4	18	7.5	-	2.2	PH-2
P0220.040-020-A4	M 4	20	7.5	-	2.2	PH-2
P0220.040-025-A4	M 4	25	7.5	-	2.2	PH-2
P0220.040-030-A4	M 4	30	7.5	22	2.2	PH-2
P0220.040-035-A4	M 4	35	7.5	22	2.2	PH-2
P0220.040-040-A4	M 4	40	7.5	22	2.2	PH-2
P0220.040-045-A4	M 4	45	7.5	22	2.2	PH-2
P0220.040-050-A4	M 4	50	7.5	22	2.2	PH-2
P0220.040-060-A4	M 4	60	7.5	22	2.2	PH-2
P0220.040-065-A4	M 4	65	7.5	22	2.2	PH-2
P0220.040-070-A4	M 4	70	7.5	22	2.2	PH-2
P0220.040-075-A4	M 4	75	7.5	22	2.2	PH-2
P0220.040-080-A4	M 4	80	7.5	22	2.2	PH-2
P0220.040-085-A4	M 4	85	7.5	22	2.2	PH-2
P0220.040-090-A4	M 4	90	7.5	22	2.2	PH-2
P0220.040-095-A4	M 4	95	7.5	22	2.2	PH-2
P0220.040-100-A4	M 4	100	7.5	22	2.2	PH-2
P0220.050-006-A4	M 5	6	9.2	-	2.5	PH-2
P0220.050-008-A4	M 5	8	9.2	-	2.5	PH-2
P0220.050-010-A4	M 5	10	9.2	-	2.5	PH-2
P0220.050-012-A4	M 5	12	9.2	-	2.5	PH-2
P0220.050-014-A4	M 5	14	9.2	-	2.5	PH-2
P0220.050-016-A4	M 5	16	9.2	-	2.5	PH-2
P0220.050-018-A4	M 5	18	9.2	-	2.5	PH-2
P0220.050-020-A4	M 5	20	9.2	-	2.5	PH-2
P0220.050-022-A4	M 5	22	9.2	-	2.5	PH-2
P0220.050-025-A4	M 5	25	9.2	-	2.5	PH-2
P0220.050-030-A4	M 5	30	9.2	-	2.5	PH-2
P0220.050-035-A4	M 5	35	9.2	25	2.5	PH-2
P0220.050-040-A4	M 5	40	9.2	25	2.5	PH-2
P0220.050-045-A4	M 5	45	9.2	25	2.5	PH-2
P0220.050-050-A4	M 5	50	9.2	25	2.5	PH-2
P0220.050-055-A4	M 4	55	9.2	25	2.5	PH-2
P0220.050-060-A4	M 5	60	9.2	25	2.5	PH-2
P0220.050-065-A4	M 5	65	9.2	25	2.5	PH-2
P0220.050-070-A4	M 5	70	9.2	25	2.5	PH-2
P0220.050-075-A4	M 5	75	9.2	25	2.5	PH-2
P0220.050-080-A4	M 5	80	9.2	25	2.5	PH-2
P0220.050-085-A4	M 5	85	9.2	25	2.5	PH-2
P0220.050-090-A4	M 5	90	9.2	25	2.5	PH-2
P0220.050-095-A4	M 5	95	9.2	25	2.5	PH-2
P0220.050-100-A4	M 5	100	9.2	25	2.5	PH-2
P0220.060-008-A4	M 6	8	11	-	3.0	PH-3
P0220.060-010-A4	M 6	10	11	-	3.0	PH-3
P0220.060-012-A4	M 6	12	11	-	3.0	PH-3
P0220.060-014-A4	M 6	14	11	-	3.0	PH-3
P0220.060-016-A4	M 6	16	11	-	3.0	PH-3



Phillips Countersunk Machine Screws

Phillips - A4 stainless

Standard Screws



Order No.	d ₁	l ₁	d ₂	l ₂	h ₁	Size
P0220.060-018-A4	M 6	18	11	-	3.0	PH-3
P0220.060-020-A4	M 6	20	11	-	3.0	PH-3
P0220.060-022-A4	M 6	22	11	-	3.0	PH-3
P0220.060-025-A4	M 6	25	11	-	3.0	PH-3
P0220.060-030-A4	M 6	30	11	-	3.0	PH-3
P0220.060-035-A4	M 6	35	11	-	3.0	PH-3
P0220.060-040-A4	M 6	40	12	28	3.0	PH-3
P0220.060-045-A4	M 6	45	11	28	3.0	PH-3
P0220.060-050-A4	M 6	50	11	28	3.0	PH-3
P0220.060-055-A4	M 6	55	11	28	3.0	PH-3
P0220.060-060-A4	M 6	60	11	28	3.0	PH-3
P0220.060-065-A4	M 6	65	11	28	3.0	PH-3
P0220.060-070-A4	M 6	70	11	28	3.0	PH-3
P0220.060-075-A4	M 6	75	11	28	3.0	PH-3
P0220.060-080-A4	M 6	80	11	28	3.0	PH-3
P0220.060-085-A4	M 6	85	11	28	3.0	PH-3
P0220.060-090-A4	M 6	90	11	28	3.0	PH-3
P0220.060-095-A4	M 6	95	11	28	3.0	PH-3
P0220.060-100-A4	M 6	100	11	28	3.0	PH-3
P0220.080-010-A4	M 8	10	14.5	-	4.0	PH-4
P0220.080-012-A4	M 8	12	14.5	-	4.0	PH-4
P0220.080-014-A4	M 8	14	14.5	-	4.0	PH-4
P0220.080-016-A4	M 8	16	14.5	-	4.0	PH-4
P0220.080-018-A4	M 8	18	14.5	-	4.0	PH-4
P0220.080-020-A4	M 8	20	14.5	-	4.0	PH-4
P0220.080-022-A4	M 8	22	14.5	-	4.0	PH-4
P0220.080-025-A4	M 8	25	14.5	-	4.0	PH-4
P0220.080-030-A4	M 8	30	14.5	-	4.0	PH-4
P0220.080-035-A4	M 8	35	14.5	-	4.0	PH-4
P0220.080-040-A4	M 8	40	14.5	34	4.0	PH-4
P0220.080-045-A4	M 8	45	14.5	34	4.0	PH-4
P0220.080-050-A4	M 8	50	14.5	34	4.0	PH-4
P0220.080-055-A4	M 8	55	14.5	34	4.0	PH-4
P0220.080-060-A4	M 8	60	14.5	34	4.0	PH-4
P0220.080-065-A4	M 8	65	14.5	34	4.0	PH-4
P0220.080-070-A4	M 8	70	14.5	34	4.0	PH-4
P0220.080-075-A4	M 8	75	14.5	34	4.0	PH-4
P0220.080-080-A4	M 8	80	14.5	34	4.0	PH-4
P0220.080-085-A4	M 8	85	14.5	34	4.0	PH-4
P0220.080-090-A4	M 8	90	14.5	34	4.0	PH-4
P0220.080-095-A4	M 8	95	14.5	34	4.0	PH-4
P0220.080-100-A4	M 8	100	14.5	34	4.0	PH-4
P0220.100-016-A4	M10	16	18	-	5.0	PH-4
P0220.100-020-A4	M10	20	18	-	5.0	PH-4
P0220.100-025-A4	M10	25	18	-	5.0	PH-4
P0220.100-030-A4	M10	30	18	-	5.0	PH-4
P0220.100-035-A4	M10	35	18	-	5.0	PH-4
P0220.100-040-A4	M10	40	18	-	5.0	PH-4
P0220.100-045-A4	M10	45	18	-	5.0	PH-4
P0220.100-050-A4	M10	50	18	40	5.0	PH-4
P0220.100-055-A4	M10	55	18	40	5.0	PH-4
P0220.100-060-A4	M10	60	18	40	5.0	PH-4
P0220.100-065-A4	M10	65	18	40	5.0	PH-4
P0220.100-070-A4	M10	70	18	40	5.0	PH-4
P0220.100-075-A4	M10	75	18	40	5.0	PH-4
P0220.100-080-A4	M10	80	18	40	5.0	PH-4
P0220.100-085-A4	M10	85	18	40	5.0	PH-4
P0220.100-090-A4	M10	90	18	40	5.0	PH-4
P0220.100-095-A4	M10	95	18	40	5.0	PH-4
P0220.100-100-A4	M10	100	18	40	5.0	PH-4

STANDARD SCREWS