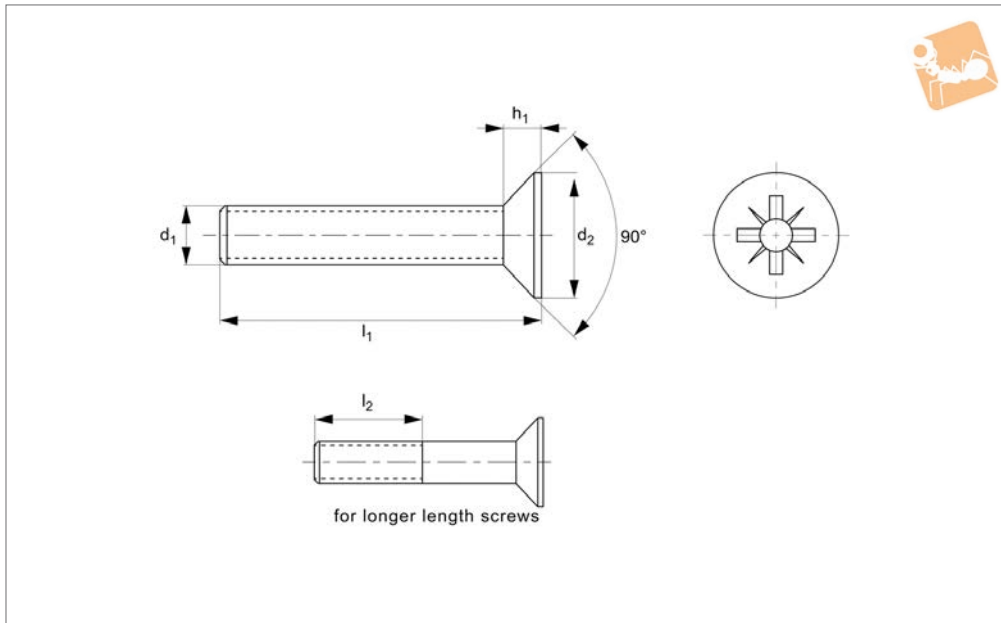




# Pozi Countersunk Machine Screws

Pozi - Steel, zinc-plated

Standard Screws



**P0221.ZP**

STANDARD SCREWS

### Material

Steel, zinc-plated (grade 4.8).

### Technical Notes

To DIN 965 H, ISO 7046. For the majority of

screw lengths the threads goes all the way to the head of the screw (i.e.  $l_1 = l_2$ ) less 2.5 thread pitches.

For longer length screws the threaded

portion  $l_2 < l_1$ .

Order No.	$d_1$	$l_1$	$d_2$	$l_2$	$h_1$	Drive
P0221.016-003-ZP	M1,6	3	3.0	-	0.96	PZ-0
P0221.016-004-ZP	M1,6	4	3.0	-	0.96	PZ-0
P0221.016-005-ZP	M1,6	5	3.0	-	0.96	PZ-0
P0221.016-006-ZP	M1,6	6	3.0	-	0.96	PZ-0
P0221.016-008-ZP	M1,6	8	3.0	-	0.96	PZ-0
P0221.016-010-ZP	M1,6	10	3.0	-	0.96	PZ-0
P0221.016-012-ZP	M1,6	12	3.0	-	0.96	PZ-0
P0221.016-014-ZP	M1,6	14	3.0	-	0.96	PZ-0
P0221.016-016-ZP	M1,6	16	3.0	-	0.96	PZ-0
P0221.020-003-ZP	M 2	3	3.8	-	1.20	PZ-1
P0221.020-004-ZP	M 2	4	3.8	-	1.20	PZ-1
P0221.020-005-ZP	M 2	5	3.8	-	1.20	PZ-1
P0221.020-006-ZP	M 2	6	3.8	-	1.20	PZ-1
P0221.020-008-ZP	M 2	8	3.8	-	1.20	PZ-1
P0221.020-010-ZP	M 2	10	3.8	-	1.20	PZ-1
P0221.020-012-ZP	M 2	12	3.8	-	1.20	PZ-1
P0221.020-014-ZP	M 2	14	3.8	-	1.20	PZ-1
P0221.020-016-ZP	M 2	16	3.8	-	1.20	PZ-1
P0221.020-018-ZP	M 2	18	3.8	16	1.20	PZ-1
P0221.020-020-ZP	M 2	20	3.8	16	1.20	PZ-1
P0221.025-006-ZP	M2,5	6	4.7	-	1.50	PZ-1
P0221.025-008-ZP	M2,5	8	4.7	-	1.50	PZ-1
P0221.025-010-ZP	M2,5	10	4.7	-	1.50	PZ-1
P0221.025-012-ZP	M2,5	12	4.7	-	1.50	PZ-1
P0221.025-014-ZP	M2,5	14	4.7	-	1.50	PZ-1
P0221.025-016-ZP	M2,5	16	4.7	-	1.50	PZ-1
P0221.025-018-ZP	M2,5	18	4.7	-	1.50	PZ-1
P0221.025-020-ZP	M2,5	20	4.7	-	1.50	PZ-1
P0221.025-022-ZP	M2,5	22	4.7	-	1.50	PZ-1
P0221.030-004-ZP	M 3	4	5.6	-	1.65	PZ-1
P0221.030-005-ZP	M 3	5	5.6	-	1.65	PZ-1
P0221.030-006-ZP	M 3	6	5.6	-	1.65	PZ-1
P0221.030-008-ZP	M 3	8	5.6	-	1.65	PZ-1
P0221.030-010-ZP	M 3	10	5.6	-	1.65	PZ-1



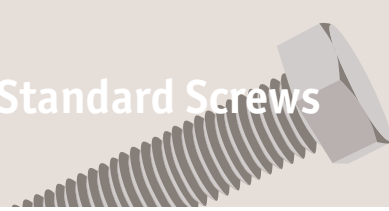
Order No.	d <sub>1</sub>	l <sub>1</sub>	d <sub>2</sub>	l <sub>2</sub>	h <sub>1</sub>	Drive
P0221.030-012-ZP	M 3	12	5.6	-	1.65	PZ-1
P0221.030-014-ZP	M 3	14	5.6	-	1.65	PZ-1
P0221.030-016-ZP	M 3	16	5.6	-	1.65	PZ-1
P0221.030-018-ZP	M 3	18	5.6	-	1.65	PZ-1
P0221.030-020-ZP	M 3	20	5.6	-	1.65	PZ-1
P0221.030-022-ZP	M 3	22	5.6	-	1.65	PZ-1
P0221.030-025-ZP	M 3	25	5.6	19	1.65	PZ-1
P0221.030-030-ZP	M 3	30	5.6	19	1.65	PZ-1
P0221.030-035-ZP	M 3	35	5.6	19	1.65	PZ-1
P0221.030-040-ZP	M 3	40	5.6	19	1.65	PZ-1
P0221.030-045-ZP	M 3	45	5.6	19	1.65	PZ-1
P0221.030-050-ZP	M 3	50	5.6	19	1.65	PZ-1
P0221.030-055-ZP	M 3	55	5.6	19	1.65	PZ-1
P0221.030-060-ZP	M 3	60	5.6	19	1.65	PZ-1
P0221.040-010-ZP	M 4	10	7.5	-	2.20	PZ-2
P0221.040-012-ZP	M 4	12	7.5	-	2.20	PZ-2
P0221.040-014-ZP	M 4	14	7.5	-	2.20	PZ-2
P0221.040-016-ZP	M 4	16	7.5	-	2.20	PZ-2
P0221.040-018-ZP	M 4	18	7.5	-	2.20	PZ-2
P0221.040-020-ZP	M 4	20	7.5	-	2.20	PZ-2
P0221.040-022-ZP	M 4	22	7.5	-	2.20	PZ-2
P0221.040-025-ZP	M 4	25	7.5	-	2.20	PZ-2
P0221.040-030-ZP	M 4	30	7.5	22	2.20	PZ-2
P0221.040-035-ZP	M 4	35	7.5	22	2.20	PZ-2
P0221.040-040-ZP	M 4	40	7.5	22	2.20	PZ-2
P0221.040-045-ZP	M 4	45	7.5	22	2.20	PZ-2
P0221.040-050-ZP	M 4	50	7.5	22	2.20	PZ-2
P0221.040-055-ZP	M 4	55	7.5	22	2.20	PZ-2
P0221.040-060-ZP	M 4	60	7.5	22	2.20	PZ-2
P0221.040-065-ZP	M 4	65	7.5	22	2.20	PZ-2
P0221.040-070-ZP	M 4	70	7.5	22	2.20	PZ-2
P0221.040-075-ZP	M 4	75	7.5	22	2.20	PZ-2
P0221.040-080-ZP	M 4	80	7.5	22	2.20	PZ-2
P0221.040-090-ZP	M 4	90	7.5	22	2.20	PZ-2
P0221.040-100-ZP	M 4	100	7.5	22	2.20	PZ-2
P0221.050-006-ZP	M 5	6	9.2	-	2.50	PZ-2
P0221.050-008-ZP	M 5	8	9.2	-	2.50	PZ-2
P0221.050-010-ZP	M 5	10	9.2	-	2.50	PZ-2
P0221.050-012-ZP	M 5	12	9.2	-	2.50	PZ-2
P0221.050-014-ZP	M 5	14	9.2	-	2.50	PZ-2
P0221.050-016-ZP	M 5	16	9.2	-	2.50	PZ-2
P0221.050-018-ZP	M 5	18	9.2	-	2.50	PZ-2
P0221.050-020-ZP	M 5	20	9.2	-	2.50	PZ-2
P0221.050-022-ZP	M 5	22	9.2	-	2.50	PZ-2
P0221.050-025-ZP	M 5	25	9.2	-	2.50	PZ-2
P0221.050-030-ZP	M 5	30	9.2	25	2.50	PZ-2
P0221.050-035-ZP	M 5	35	9.2	25	2.50	PZ-2
P0221.050-040-ZP	M 5	40	9.2	25	2.50	PZ-2
P0221.050-045-ZP	M 5	45	9.2	25	2.50	PZ-2
P0221.050-050-ZP	M 5	50	9.2	25	2.50	PZ-2
P0221.050-055-ZP	M 5	55	9.2	25	2.50	PZ-2
P0221.050-060-ZP	M 5	60	9.2	25	2.50	PZ-2
P0221.050-065-ZP	M 5	65	9.2	25	2.50	PZ-2
P0221.050-070-ZP	M 5	70	9.2	25	2.50	PZ-2
P0221.050-075-ZP	M 5	75	9.2	25	2.50	PZ-2
P0221.050-080-ZP	M 5	80	9.2	25	2.50	PZ-2
P0221.050-085-ZP	M 5	85	9.2	25	2.50	PZ-2
P0221.050-090-ZP	M 5	90	9.2	25	2.50	PZ-2
P0221.050-095-ZP	M 5	95	9.2	25	2.50	PZ-2
P0221.050-100-ZP	M 5	100	9.2	25	2.50	PZ-2
P0221.060-008-ZP	M 6	8	11.0	-	3.00	PZ-3
P0221.060-010-ZP	M 6	10	11.0	-	3.00	PZ-3
P0221.060-012-ZP	M 6	12	11.0	-	3.00	PZ-3
P0221.060-014-ZP	M 6	14	11.0	-	3.00	PZ-3
P0221.060-016-ZP	M 6	16	11.0	-	3.00	PZ-3
P0221.060-018-ZP	M 6	18	11.0	-	3.00	PZ-3
P0221.060-020-ZP	M 6	20	11.0	-	3.00	PZ-3
P0221.060-022-ZP	M 6	22	11.0	-	3.00	PZ-3
P0221.060-025-ZP	M 6	25	11.0	-	3.00	PZ-3



# Pozi Countersunk Machine Screws

Pozi - Steel, zinc-plated

## Standard Screws



Order No.	d <sub>1</sub>	l <sub>1</sub>	d <sub>2</sub>	l <sub>2</sub>	h <sub>1</sub>	Drive
P0221.060-030-ZP	M 6	30	11.0	-	3.00	PZ-3
P0221.060-035-ZP	M 6	35	11.0	28	3.00	PZ-3
P0221.060-040-ZP	M 6	40	11.0	28	3.00	PZ-3
P0221.060-045-ZP	M 6	45	11.0	28	3.00	PZ-3
P0221.060-050-ZP	M 6	50	11.0	28	3.00	PZ-3
P0221.060-055-ZP	M 6	55	11.0	28	3.00	PZ-3
P0221.060-060-ZP	M 6	60	11.0	28	3.00	PZ-3
P0221.060-065-ZP	M 6	65	11.0	28	3.00	PZ-3
P0221.060-070-ZP	M 6	70	11.0	28	3.00	PZ-3
P0221.060-075-ZP	M 6	75	11.0	28	3.00	PZ-3
P0221.060-080-ZP	M 6	80	11.0	28	3.00	PZ-3
P0221.060-085-ZP	M 6	85	11.0	28	3.00	PZ-3
P0221.060-090-ZP	M 6	90	11.0	28	3.00	PZ-3
P0221.060-095-ZP	M 6	95	11.0	28	3.00	PZ-3
P0221.060-100-ZP	M 6	100	11.0	28	3.00	PZ-3
P0221.080-012-ZP	M 8	12	14.5	-	4.00	PZ-4
P0221.080-014-ZP	M 8	14	14.5	-	4.00	PZ-4
P0221.080-016-ZP	M 8	16	14.5	-	4.00	PZ-4
P0221.080-018-ZP	M 8	18	14.5	-	4.00	PZ-4
P0221.080-020-ZP	M 8	20	14.5	-	4.00	PZ-4
P0221.080-022-ZP	M 8	22	14.5	-	4.00	PZ-4
P0221.080-025-ZP	M 8	25	14.5	-	4.00	PZ-4
P0221.080-030-ZP	M 8	30	14.5	-	4.00	PZ-4
P0221.080-035-ZP	M 8	35	14.5	-	4.00	PZ-4
P0221.080-040-ZP	M 8	40	14.5	34	4.00	PZ-4
P0221.080-045-ZP	M 8	45	14.5	34	4.00	PZ-4
P0221.080-050-ZP	M 8	50	14.5	34	4.00	PZ-4
P0221.080-055-ZP	M 8	55	14.5	34	4.00	PZ-4
P0221.080-060-ZP	M 8	60	14.5	34	4.00	PZ-4
P0221.080-065-ZP	M 8	65	14.5	34	4.00	PZ-4
P0221.080-070-ZP	M 8	70	14.5	34	4.00	PZ-4
P0221.080-075-ZP	M 8	75	14.5	34	4.00	PZ-4
P0221.080-080-ZP	M 8	80	14.5	34	4.00	PZ-4
P0221.080-085-ZP	M 8	85	14.5	34	4.00	PZ-4
P0221.080-090-ZP	M 8	90	14.5	34	4.00	PZ-4
P0221.080-095-ZP	M 8	95	14.5	34	4.00	PZ-4
P0221.080-100-ZP	M 8	100	14.5	34	4.00	PZ-4
P0221.100-020-ZP	M10	20	18.0	-	5.00	PZ-4
P0221.100-022-ZP	M10	22	18.0	-	5.00	PZ-4
P0221.100-025-ZP	M10	25	18.0	-	5.00	PZ-4
P0221.100-030-ZP	M10	30	18.0	-	5.00	PZ-4
P0221.100-035-ZP	M10	35	18.0	-	5.00	PZ-4
P0221.100-040-ZP	M10	40	18.0	-	5.00	PZ-4
P0221.100-045-ZP	M10	45	18.0	-	5.00	PZ-4
P0221.100-050-ZP	M10	50	18.0	40	5.00	PZ-4
P0221.100-055-ZP	M10	55	18.0	40	5.00	PZ-4
P0221.100-060-ZP	M10	60	18.0	40	5.00	PZ-4
P0221.100-065-ZP	M10	65	18.0	40	5.00	PZ-4
P0221.100-070-ZP	M10	70	18.0	40	5.00	PZ-4
P0221.100-075-ZP	M10	75	18.0	40	5.00	PZ-4
P0221.100-080-ZP	M10	80	18.0	40	5.00	PZ-4
P0221.100-085-ZP	M10	85	18.0	40	5.00	PZ-4
P0221.100-090-ZP	M10	90	18.0	40	5.00	PZ-4
P0221.100-095-ZP	M10	95	18.0	40	5.00	PZ-4
P0221.100-100-ZP	M10	100	18.0	40	5.00	PZ-4

STANDARD SCREWS